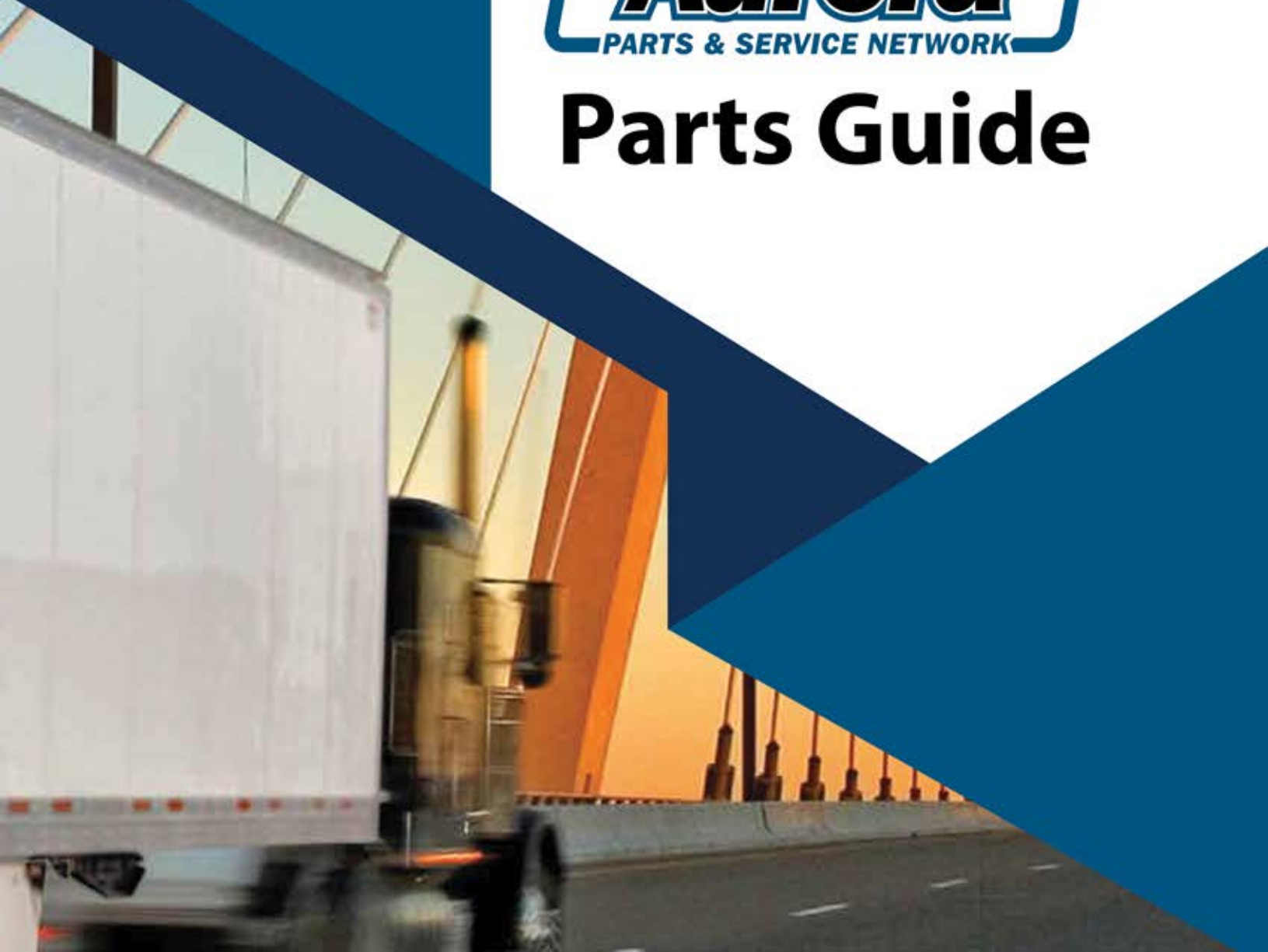




Parts Guide



AIR Air Systems 15-110

- ABS Systems 16-29
 - ABS Kits 16-18
 - ABS Sensors 18-19
 - ABS Valves 20-21
 - Electronic Control Units 21-22
 - Power Cords 22-23
 - Wabash MBS. 24-29
- Air Tanks 30-37
- Air Treatment Systems 38-41
- Fittings 42-56
 - Air Brake Fittings. 42-44
 - Brass Pipe Fittings 44-47
 - Bulkhead Fittings 48-50
 - Nylon Tube Fittings 50-53
 - Push-In Fitting, D.O.T. 54-55
 - Additional Fittings 56
- Gladhands 57-66
 - Accessories. 62-66
- Hoses 67-74
 - Coiled Air 67
 - Nylon Tubing 68
 - Rubber Air Hose 68-70
 - Slider Hose 71
 - Accessories. 71-74
- Tire Inflation Components. 75-81
- Valves 82-110

AXL Axles 111-146

- Axles 112-118
 - Weldments 113
 - Hardware 115-118
 - Dust Shields 115
 - Spindle Nuts 116-117
 - Spindle Washers 118
- Brakes 119-146
 - Air Disc Brake 119-122
 - Chambers. 119
 - Pads 120
 - Calipers 121
 - Hubs & Rotors 121-122
 - Brake Chambers 123-129
 - Piggybacks. 123
 - Service Brake Chambers 123
 - Spring Brake Chambers 124-125
 - Accessories 126-129
 - Brake Shoes 130-146
 - Hardware Kits 130-136
 - Shoes 137-146

AXL Axles 147-172

- Camshafts 147-150
 - Repair Kits 151-162
 - Individual Components 162-165
 - Brackets 162-163
 - Bushings. 164
 - Seals. 165
 - Snap Rings 165
 - Washers 165
- Slack Adjusters 166-172
 - Automatic 166-170
 - Manual 170
 - Accessories. 171-172

BDY Body Parts 173-248

- Aerodynamics 174-180
 - DuraPlate Aeroskirt/ Wabash . 174-176
 - Optiflow/ Wabco 177
 - Ridge Corporation/ Green Wing . . . 178
 - SmartTruck 179
 - Transtex/ Edge & EZ-Edge 180
- Floor 181-192
 - Crossmembers 181-187
 - Flooring 188-189
 - Seals. 190
 - Threshold Plates 190-192
- Front Wall 193-216
 - Corner Caps 193-197
 - Corner Radius/ Posts. 198-204
 - Inner Corner Radius 205-206
 - Nose Panels 206
 - Nose Posts 207-209
 - Rose Rails. 210-216
- Rear Wall 217-236
 - Bumpers 217-225
 - Fantail Components. 226
 - Dock Bumpers. 227-228
 - Corner Posts 229
 - Rear Headers 230
 - Liftgate Components 231-233
 - Ramp Components 234
 - Tailgate Components 235
- Roof 237-248
 - Bows. 237-242
 - Material. 242-245
 - Mouldings & Retainers. 245
 - Repair 246-247

Table of Contents

TOC

Table of Contents

BDY Body Parts **249-310**

Side Wall	249-282
Panels	249-252
Liners	253-254
Repair	255-258
Rub Rails	258-259
Scuff	259-260
Side Posts	261-269
Side Rails	270-280
Accessories	281-282
(Lift Pads, Pipe Spools, Stake Pockets & Skylights)	
Truck Body	283-310

CRG Cargo Control **311-332**

Chains	312-316
Chain Attachments	312-313
Binders	314
Hooks	315
Latch Kits	315-316
Interior	316-321
Beams	316-317
Load Bars	318
Tie Downs	319-321
Track	321
Straps & Winches	322-331
Ratchet Straps	322-323
Series A/ E Logistic Straps	323
Winch Straps	323-326
Accessories	326-327
Rubber Tarp Straps	328
Winches	329-331
Tank Parts	332

CPR Couplers & Hitches **333-360**

Fifth Wheels	334-350
Jost	334-339
SAF Holland	340-345
Upper Couplers	351-353
Kingpins	352-353
Gauges	353
Locks	353
Slick Discs	353
Drawbar Eyes	354-356
Pintle Hooks	357-359
Hinge Assemblies	360

DOR Doors & Accessories **361-476**

OHD / Overhead Doors	362-421
Pro-Par	362-375
Todco	376-395
Whiting	396-412
Transglobal	413-417
Swing Doors	422-476
Doors / Door Blanks	422-423
Conversion Kits	424-428
Corner Repair	429
Seals / Gaskets / Seal Retainers	430-434
Corner Tabs	435
Chain Snaps	435-437
Footman Loops	438
Hinges	439-454
Holdbacks	455-457
Lockrods	458-475
Mid Cam Locks	476
Stoppers	476

LGR Landing Gear **477-524**

Models & Legs	478-504
SAF-Holland	478-499
Jost	500-503
Pro-Par	504
Accessories	505-510
Crank Handles & Holders	505-507
Shoes	508-510
Mounting	511-521
Bracing	511-521
Bracing Lugs	513-516
Brackets	517-521
Specialty Legs & Components	522-524

LHT Lighting & Electrical 525-636	SFT Safety & Security 637-682
Cab Marker 526-527	Back-Up Alarms 638
Beehive 526-527	Conspicuity Tape 638-640
Miscellaneous 527	Dock Bumpers 640-641
Clearance / Marker 528-548	Extruded 640
2-Bulb 528	Laminated 640
Flex-Lite 529	Fiber-Reinforced 641
Oval 529-530	Fire Extinguishers 642
Rectangular 531-538	Flags & Banners 643-644
Round 539-546	Banners 643
Single Diode 547-548	Flags 643-644
Identification Bars 549	Placards 644-646
License 550-556	Placard Holders 644
Module 557	Flip Placards 645
Stop / Tail / Turn 558-572	Accessories 646
Arrow / Pedestal 558	Roadside Hazards 647
Mid / Side Turn 558-560	Tire Chains 647
Oval 561-564	Wheel Chocks 648
Rectangular 564	Door Seals 648
Round 565-572	Gladhand Locks 648
Strobe 573	Kingpin Locks 649
Utility 573-577	Twistlocks 650-660
Accessories 578-603	Coil Racks 661
Brackets 578-587	Decals 662-663
Bulbs 588-591	Document Holders 663-665
Flanges 592-593	Fenders 665-667
Grommets 594-599	Log Books 668
Lenses 600	Mirrors 668
Reflectors 601-603	Mudflaps 669-678
Cables 604-607	Brackets 673-678
Connections 608-619	Tire Carriers 679
Junction Boxes 608-609	Vents 679-681
Nose Boxes 610-612	Wiper Blades 682
Receptacles 613-619	
Harnesses 620-622	
Pigtails 623-630	
Wire 631-632	
Cables 631	
Accessories 631-632	
Accessories 633-636	
Flashers 633	
Fuses 633	
Switches 634-636	

Table of Contents



SHP Shop Supplies 683-778

- Chemicals 683-685
 - Body Cleaners 684-685
 - Foam Insulation 686
 - Fuel Supplements 687-690
 - Parts Cleaners 691-694
 - Trailer & Truck Fluids 695-697
- Lubricants 698-708
 - Grease 698-701
 - Lube 702-705
 - Oil 706-708
- Paints 709-712
 - Coatings 709
 - Paints 709-710
 - Primers 711
 - Reducers & Removers 711-712
 - Undercoats 712
- Fasteners 713-742
 - Bolts 713-718
 - Nuts 719-721
 - Pins 722
 - Rivets 723-727
 - Screws 728-730
 - Washers 731-732
 - Tech Guide 733-742
- Sealants & Adhesives 743-759
 - Caulks 743-747
 - Sealers 748-756
 - Tapes 756-759
- Marketing 760-764
- Tools 765-778
 - Abrasives 765-766
 - Cleaners 766-767
 - Personal Safety 768-771
 - Bits 772-774
 - Gauges 775
 - Trailer tools 776-778

SUS Suspensions 779-928

- Air Springs 780-799
- Leaf Springs 800-804
- Shocks 805-810
- Suspensions & Components 811-926
 - Fruehauf 811-830
 - Hendrickson 831-876
 - Hutch 877-891
 - Meritor 892-897
 - SAF-Holland 898-912
 - Reyco 913-925
- U-Bolt Kits 927-928

WHL Wheel End 929-966

- Hubdometers 930-931
- Bearings 932-933
- Hubs & Drums 934-956
 - Assemblies 934
 - Drums 935-936
 - Hubs 937-938
 - Hubcaps 939-951
 - Seals 952-956
- Wheels 957-959
 - Rims 958
 - Spacer Bands 959
- Wheel Attaching Parts 960-966

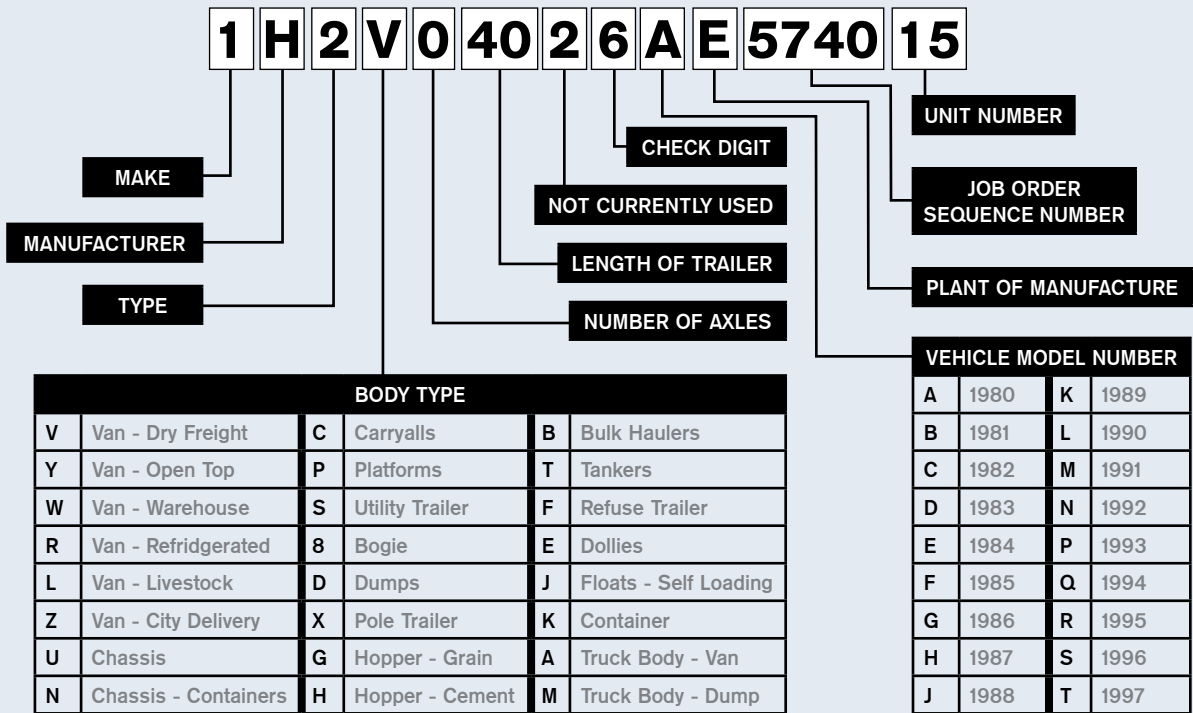
APX Appendix 967-984

- Container/Chassis 967-984
 - Body Parts 968-974
 - Floor 968
 - Front Wall 969
 - Rear Wall 970
 - Roof 971
 - Side Wall 972-974
 - Landing Gear 975
 - Lighting & Electrical 976-977
 - Safety, Security & Acc. 978-979
 - Suspensions 980-983
 - Wheel End 984

IDX Index 985-1032

Fruehauf Pre-1997

VIN Tag Identification

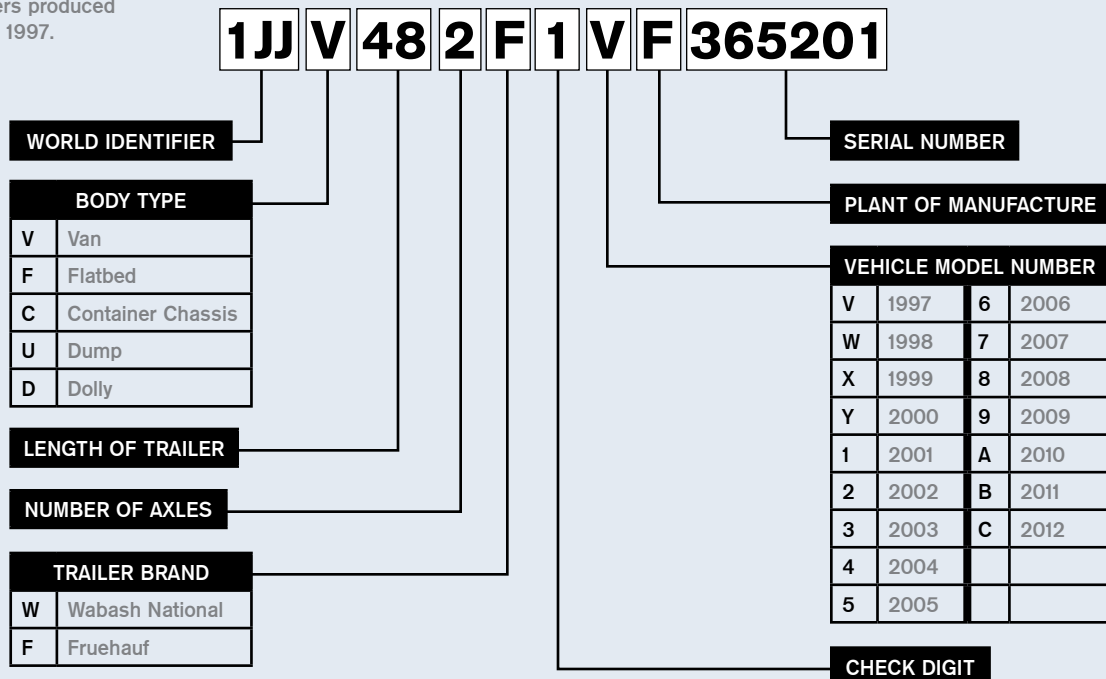


VIN is located on VIN plate on nose of trailer. If plate is missing, VIN is located on the rear, curbside, bottom corner of the coupler plate.

Wabash National

VIN Tag Identification

Includes Fruehauf trailers produced after 1997.



VIN is located on VIN plate on nose of trailer. If plate is missing, VIN is located on the rear, curbside bottom rail.

Quick Reference Pro-Fit Part Numbers

TOP-TM02-6260

PART TYPE	
APR	Front Apron / Bulkhead
BMP	Bumpers & Components
BOT	Bottom Rails
BOW	Roof Bows
CAP	Corner Caps
CHA	Channels
CMB	Crossmembers
CNR	Corner Posts
DLY	Dollies & Components
DOT	Door Trim & Tabs
FAN	Fantail/ Rear Sill Assemblies
FLR	Floor Boards
FRM	Rear Frame
GBH	Grab Handles
HDR	Rear Headers
HLD	Holdbacks
LFT	Lift Pads
LGH	LG Hardware
LGM	LG Mounting
LNR	Liner Panels
LOK	Lock Rods & Components
MOL	Roof Molding
NPO	Nose Posts
NSR	Nose Rails
OHH	Overhead Door Hardware
PLT	Plate Panels
PNL	Panels
RBR	Rub Rails
ROF	Roof Coil & Panels
SCU	Scuff
SPL	Splices
SPO	Side Posts
STK	Stake Pockets & Spools
STP	Steps
SWH	Swing Door Hardware
TOP	Top Rails
TRC	Tire Carriers
TWS	Twist Lock & Corner Castings
UCC	Undercarriage Components
WBX	Wheelbox

OEM STYLE	
CC	Container/ Chassi
DY	Dorsey
GD	Great Dane
HY	Hyundai
LF	Lufkin
MA	Manac
MR	Miller
MN	Monon
ST	Stoughton
SK	Strick
TM	Trailmobile
UT	Utility
VN	Vanguard

UNIQUE IDENTIFIER
01 - 99

LENGTH	
132	132 in.
360	360 in.
626	626 in.

FRACTIONAL LENGTH	
0	0 in.
1	1/16 in.
2	1/8 in.
3	3/16 in.
4	1/4 in.
5	5/16 in.
6	3/8 in.
7	7/16 in.
8	1/2 in.
9	9/16 in.
A	5/8 in.
B	11/16 in.
C	3/4 in.
D	13/16 in.
E	7/8 in.
F	15/16 in.

Part Number Prefixes

ABX	Abex
ACC	Accuride
ACR	Ancra
AER	Aero
AIR	Air Components
ALC	Alcoa
ALU	Aluminum
ANO	Anco
APT	Apitong
BBT	Transcraft
BEN	Bendix
BES	BettsHD
BIN	SAF-Holland
BLT	Bolts
BMP	Bumpers
BOT	Bottom Rails
BOW	Roof Bows
BUF	Buffers USA
BUY	Buyers
CAP	Corner Caps
CHA	Channels
CHM	Chemicals
CLP	Clips
CMB	Crossmembers
CMK	Columbus McKinnon
CMT	Consolidated Metco
CNR	Corner Posts
CRC	CRC Industries
CRS	SKF
DAL	Dallas Spring
DAN	Dana / Hendrickson
DLR	Drill Bits
DLY	Dollies
DOR	Doors & Door Parts
DOT	Door Trim
DUR	Wabash DuraPlate®
EAT	Eaton Style / Bendix
EBH	Eberhard MFG
ELT	Electrical Accessories
FAN	Fantail / Rear Sill
FIR	Firestone
FIT	Air Fittings
FLR	Floor
FLT	Fleet Engineers

FOM	Fomo Products
FRM	Rear Frame
FRU	Fruehauf
FUS	Fuses
GAB	Gabriel Ride Control
GEO	Geocel
GLV	Gloves
GRT	Grote
GUN	Gunite / Accuride
HAD	Hadley
HAL	Haltec
HAY	Hayes Lemmerz
HDR	Rear Headers
HDX	Haldex
HEB	Hebco / Sloan
HEN	Hendrickson
HLD	Holdbacks
HOL	SAF-Holland
HOS	Hoosier Tank
HUT	Hutchens Industries
IMX	Economy
JJK	J.J. Keller & Associates
JKG	James King & Co.
JOS	Jost
KEM	Crane Composites
KEY	Key Polymer
KIC	KIC
KIN	Kinedyne
KWI	Kwik-Loc
KYS	Kysor / SAF-Holland
LAB	American Labelmark
LFT	Liftpads
LGH	Landing Gear Hardware
LGM	Landing Gear Mounting
LHT	Lighting
LNR	Liner Panels
LOK	Lockrods
LUB	Lubrication
LUC	Lucas Oil
LUF	Lufkin Trailer
MAN	Manus
MCA	Ms. Carita
MGM	MGM Brakes
MID	Midland / Haldex

MIN	Powerbrace
MMM	3M
MNR	Monroe / Tenneco
MOL	Roof Moulding
MOT	Motor Wheel
MTR	Meritor
NAT	National / Federal Mogul
NIA	Niagra National
NLG	National Liftgate
NPO	Nose Posts
NSR	Nose Rails
NUT	Nuts
OIL	Oil Dri
OLD	Old World
OOH	Overhead Door
OPT	Optronics
PBB	B'laster
PEN	Penz Products
PET	Peterson MFG
PHI	Phillips Industries
PLT	Plate Panels
PNL	Panels
PNR	Penray
PNT	Paints
POP	Pop Rivets
PRE	Premier MFG
PRO	Pro-Par
PTX	Permatex
RAD	RSC Chemical Solutions
RAM	Rockwell American
RBR	Rub Rails
REF	Reflexite Americas
REY	Reyco Granning
RNG	Ranger Brake
ROF	Roof Coil & Panels
RUB	Rubber Straps
RVB	Tapit Rivets
RVT	Rivets
SAF	JVR Safe-T-Signal
SCU	Scuff
SCW	Screws
SEA	Sealco
SIK	Sika
SIL	Royal Adhesives & Sealants

Part Number Prefixes

SIR	Sirco
SLO	Sloan
SPL	Splices
SPL	Splash Guards
SPO	Side Posts
STA	Standens
STE	Stemco
STK	Stake Pockets
SWH	Swing Door
TAP	Tapes
TEC	Tectran
TGD	Transglobal
TIM	Timken
TOD	Todco
TOL	Tools
TOP	Top Rails
TRA	Tramec
TRC	Tire Carriers
TRI	Triseal
TRU	Truck-Lite
TSC	Transcraft
TSE	TSE Brakes
TWL	Twist Lock & Corner Castings
UCC	Undercarriage
VEE	Veeder-Root
WAB	Wabash National
WBX	Wheelbox
WDS	Wood
WEB	Webb Wheel
WHI	Whiting Door
WIP	Wiper Blades
WSH	Washers

See the next page for Pro-Par product prefixes.



Part Number Prefixes

Quick Reference

Pro-Par Part Numbers Prefixes

Aurora's own private label brand of products, Pro-Par or "Professional Parts", upholds the highest level of OEM standards. Since 1966, the Pro-Par name has represented a premium brand throughout the trucking industry. Pro-Par products are constructed of high-quality materials and designed for superior performance, reliability and durability.



PROADP	Air Disc Brake
PROAD	Air Dryer, Cartridge
PROBF	Air Fitting
PROAS	Air Spring
PROSA	Auto Slack
PROAX	Axle
PROBR	Bearing Set, Cup, Cone
PROWC	Brake Camshaft
PROBC	Brake Chamber, Clevis, Adapter
PROBD	Brake Drum
PROBH	Brake Hose
PROWB	Brake Kit
PROCC	Cargo Control Strap, Winch
PROAL	Coiled Air
PROEL	Coiled Electric
PROF	Fastener
PROGH	Gladhand
PROHUB	Hub, Tone Ring

PROKP	Kingpin
PROLG	Landing Gear & Hardware
PROLED	LED Lighting
PROBSN	New Brake Shoe
PROBKN	New Brake Shoe Kit
PROWS	Oil Seal
PROOH	Overhead Door, Door Hardware
PROD	Overhead Door
PNT	Paint
PROBSE	Relined Brake Shoe
PROBKE	Relined Brake Shoe Kit
PROSH	Shock
PROSU	Suspension, Leaf Springs
PROTS	Tarp Strap
PROVA	Valve
PROWF	Wheel End Fastener
PROWH	Wheel, Rim, Hubcaps

Quick Reference

Catalogs

Looking for this Aurora catalog or other catalogs that are product-specific? Below is a list of some of the most popular catalogs we offer on our products:

Part Number	Description
AURCATALOG2018	Aurora catalog 2018 (this book)
PROFITCAT2016	Pro-FIT catalog
PROFACATALOG	Pro-Par Fasteners Catalog
PROBFCATALOG	Pro-Par Air Fittings Catalog
PROCATALOG	Pro-Par Brake Parts Catalog



Catalogs are also available to view online at our website, under "Catalogs" on the gray toolbar.

Quick Reference Pro-Par Website

Need more information on Pro-Par products? Visit our Pro-Par website at
www.Pro-Par.com

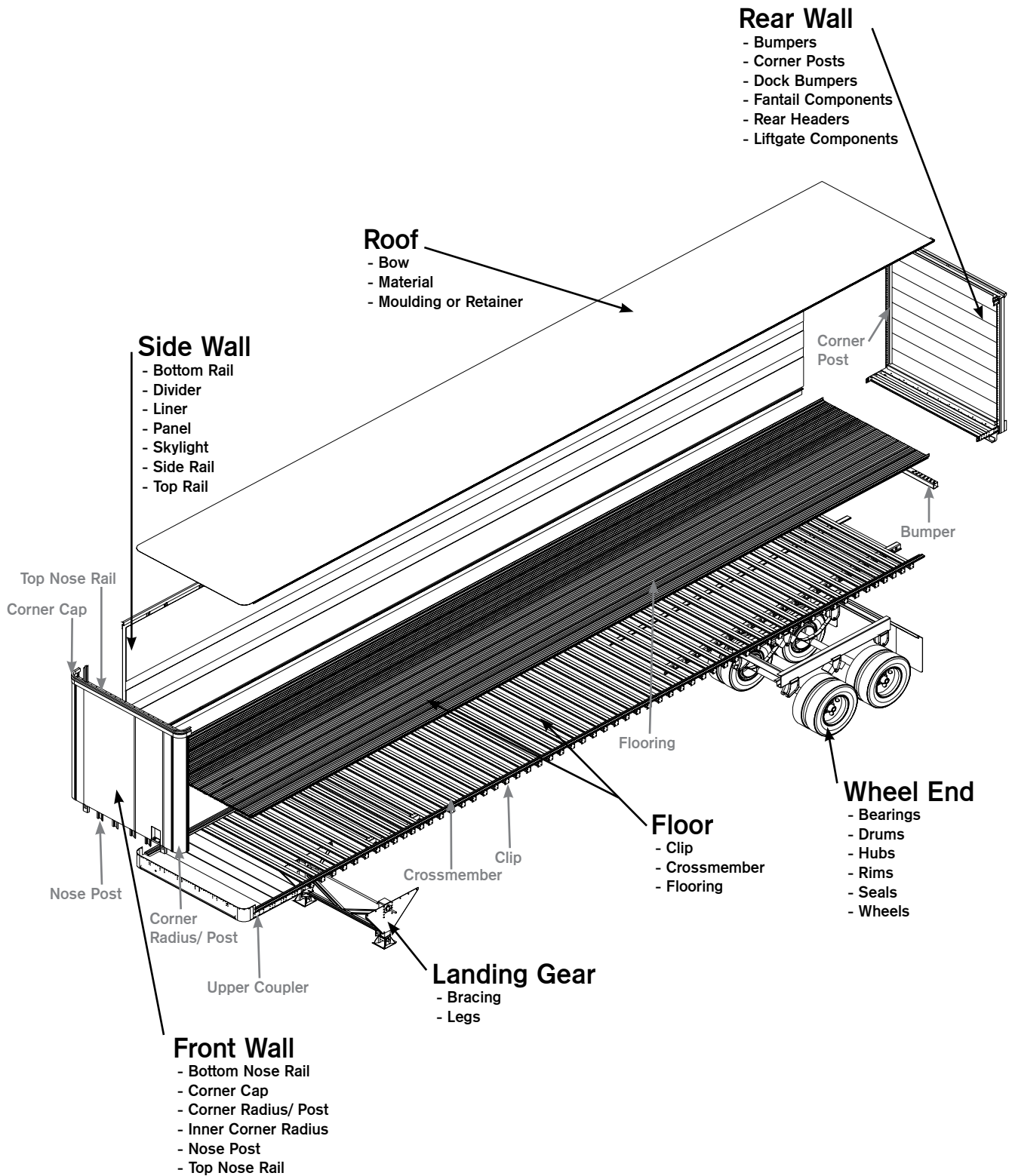


On the website you will find product information sheets that contain features and benefits, cross reference data and warranty information.

Quick Reference Aurora Training Academy

Aurora offers training courses on Pro-Par products and various supplier products. To get to the training academy, click on the **ATA** button in the upper right hand corner of our Aurora website.





Air Systems 15-110

ABS Systems	16-29
ABS Kits	16-18
ABS Sensors	18-19
ABS Valves	20-21
Electronic Control Units	21-22
Power Cords	22-23
Wabash MBS	24-29
Air Tanks	30-37
Air Treatment Systems	38-41
Fittings	42-56
Air Brake Fittings	42-44
Brass Pipe Fittings	44-47
Bulkhead Fittings	48-50
Nylon Tube Fittings	50-53
Push-In Fitting, D.O.T.	54-55
Additional Fittings	56
Gladhands	57-66
Accessories	62-66
Hoses	67-74
Coiled Air	67
Nylon Tubing	68
Rubber Air Hose	68-70
Slider Hose	71
Accessories	71-74
Tire Inflation Components	75-81
Valves	82-110

Air Systems

AIR

ABS Systems

ABS Kits

TABS-6 Replacement Kit
BEN802902



Bendix

5-pin ABS pigtail
Length: 234in.

Full Function ABS Kit
HDXAQ961402



Haldex

2S/1M - Multi Axle Applications
PLC Select ECU; Wheel Sensors

Solenoid Kit
MIDAQ40525



Haldex

ECU Upgrade Kit
MIDAQ964110



Haldex

Easy-Stop Trailer ABS

ABS ECU / Valve Kit
MTRR955320



Meritor

4S/2M - Enhanced Easy-Stop™ ECU/Valve
(MTRS400-500-103-0) & Power Cable Adapter
(MTRS894-607-312-0) for Easy-Stop Cable

ABS Assy Kit
MTRR955322



Meritor

2S/1M Dollies
TCS2

ECU / Valve Replacement Kit

Description	
Kit	MTRR955344
Bracket	MTRS478-407-058-4
Valve	MTRS472-195-033-0



Meritor

2S/1M Trailer; Enhanced Easy-Stop™; Includes:
ECU/Valve, Power Cable Adaptor, For Easy
Stop Harness

ECU / Valve Replacement Kit
MTRR955345




Meritor

2S/1M Trailers; Includes: ECU/Valve, Power/
Diagnostic Adapter

ABS Kits

ABS Systems

ECU / Valve Assembly


Description	
 Kit	MTRS400-500-101-0
Bracket	MTRS478-407-058-4
Valve	MTRS472-195-033-0

Meritor



2S/1M Trailers
MTRS446-108-201-0 ECU Only

Enhanced Easy-Stop ECU / Valve Assembly


Description	
 Kit	MTRS400-500-102-0
ECU	MTRS400-850-600-0
Valve	MTRS400-850-602-0

Meritor



2S/2M Trailer; Enhanced Easy-Stop™

ECU / Valve Assembly


Description	
 Kit	MTRS400-500-103-0
ECU	MTRS400-850-601-0
Valve	MTRS400-850-602-0

Meritor



2S/2M, 4S/2M, 4S/3M; Trailer

ECU / Valve Assembly

Description	
 Kit	MTRS400-500-104-0
ECU	MTRS446-108-204-0
Valve	MTRS472-195-033-0

Meritor



2S/1M Dollies; Enhanced Easy-Stop™

Modulator Valve Cable MTRS894-606-275-2



Meritor

Length: 1.65 ft.
Enhanced Easy-Stop™ - Connects Relay Valve to ECU

Adapter Cables

MTRS894-607-312-0



Meritor

Easy-Stop Power Cable to Enhanced Easy-Stop™ ECU

MERITOR

More Information

Meritor WABCO Enhanced Easy-Stop™ ABS Guide

2S/1M Basic

2-sensor/1-ABS relay valve system provides increased directional stability while meeting FMVSS-121 requirements. Recommended for converter dolly and semi-trailer applications.

2S/2M Standard

2-sensor/2-ABS relay valve system delivers extra control and directional stability with increased protection against tire flatspotting. Valves can be serviced individually. Recommended for single and tandem axle semi-trailers.

2M Premium

Choice of 2 or 4 sensors. A third relay valve is available on 4-sensor model. Recommended for tandem axle semi-trailers, multi-axle or full trailers.

Air Systems

AIR

ABS Systems

ABS Kits

Retrofit Kits

ECU Valve Kit
BEN802997



ABS Relay Valve Retrofit Kit
HDXAQ960510



MBS Retrofit Kit
HDXAQ960514



MBS1/1P Retrofit Kit
MTRR955374



ABS Sensors

	Length	Body
BEN801538	6.25 ft.	90°
BEN801544	1 ft.	90°
PROEL801544	1 ft.	90°
MIDAL10271914	1.6 ft.	90°
MIDAL10271915	6.6 ft.	90°
MTRR955335	1 ft.	90°
PROEL955335	1 ft.	90°
MTRR955336	3 ft.	90°
MTRR955341	5.8 ft.	90°
MTRR955342	6.6 ft.	90°
PROEL955342	6.6 ft.	90°
MTRR955604	6.5 ft.	90°
MTRR955605	5.5 ft.	90°


	Length	Body
BENK029519	1 ft.	Straight
MIDAL1027196	1.6 ft.	Straight
MTRR955329	5.6 ft.	Straight
MTRR955338	5.8 ft.	Straight
MTRR955607	3.28 ft.	Straight
MTRR955615	1.3 ft.	Straight



ABS Sensors

Accessories

Extensions

	Length	Connectors
BEN802025	6.7 ft.	WS-24
BEN802026	10 ft.	WS-24
BEN802052	5 ft.	Straight Connectors / TAB6
MIDAL919800	1.6 ft.	
MIDAL919801	3.3 ft.	Straight Connectors
MIDAL919802	4.9 ft.	Straight Connectors
MIDAL919803	6.6 ft.	
MIDAL919804	8.2 ft.	Straight Connectors
MIDAL919805	9.8 ft.	Universal
MIDAL919806	11.5 ft.	
MIDAL919807	13.1 ft.	Universal
MTRS449-713-018-0	6 ft.	Straight Male / 90° Female 
MTRS449-713-030-0	10 ft.	Straight Male / 90° Female
MTRS449-713-050-0	16 ft.	Straight Male / 90° Female



(MIDAL919801)



(MTRS449-713-050-0)

**ABS Sensor Bracket
MTR2255T1346**



Meritor

Weld-on, Fabricated

**ABS Sensor Bracket
MTR2255U1113**



Meritor

Weld-on, Cast

**ABS Sensor Clip
MTRR955458**



Meritor

**ABS Sensor Clip
PROEL955458**



Pro-Par

Tech Tip

Sensor Interchange

When replacing ABS sensors, you can use a Bendix or Midland sensor in a Meritor system, but you cannot use a Meritor sensor in a Midland or Bendix system. This is based on what the sensors Ohm out at.

Air Systems

AIR

ABS Systems

ABS Valves

Trailer ABS Module
BEN801856



Bendix

2S/1M; TABS 6 Premium
Auto Config.: 2S/2M, 4S/2M, 4S/3M

Traction Relay Valve
BEN801993



Bendix

5.5 PSI Crack Pressure
12v, Includes Bracket; ATR3 Valve

Module Replacement Kit

Pigtail Length
60 in.
234 in.

BENK019708

BENK019711



Bendix

2S/1M; TABS 6 ABS for servicing
A-18 Trailer ABS Modules
Length: 234 in. Pigtail

ABS Module
BENK109808



Bendix

ECU/Valve
TABS6-S

ABS Relay Valve

	Delivery	Delivery Size	Mount	Power
MIDAL364040	2 Port	3/8 in.	1/2 in. Reservoir	12v
MIDAL364041	6 Port	3/8 in.	1/2 in. Reservoir	12v
MIDAL364045	2 Port	3/8 in.	1/2 in. Frame	12v



(MIDAL364040)



(MIDAL364041)



(MIDAL364045)

Haldex

ABS Valve Kit
MTRR955378



Meritor

External modulator valve and adapter
For trailers produced before April 1999

Air Valve Switch
TRA38046



Tramec

12 volt
1/8 in. - 27 NPTF

ABS Valves

Full Function Relay Valves

	Delivery	Brake Priority	Mount	Power
MIDAL430614	4 Port 3/8 in.	Service	1/2 in. & 3/4 in. Reservoir	12v
MIDAL430624	4 Port 3/8 in.	Spring	1/2 in. & 3/4 in. Reservoir	12v
MIDAL430664	2 Port 3/8 in.	Spring	1/2 in. & 3/4 in. Reservoir	12v
MIDAL430666	4 Port 3/8 in.	Spring	1/2 in. & 3/4 in. Reservoir	12v
MIDAL430668	4 Port 3/8 in.	Service	1/2 in. & 3/4 in. Reservoir	12v
MIDAL430670	2 Port 3/8 in.	Spring	1/2 in. & 3/4 in. Reservoir	12v



(MIDAL430614)



(MIDAL430624)



(MIDAL430664)



(MIDAL430666)



(MIDAL430668)



(MIDAL430670)

Haldex

Electronic Control Units

	Type	Additional
MIDAL919338	PLC Select	2S/1M - Multi Axle
MIDAL919339	PLC Select	2S/1M - Dollies & Single Axle
MIDAL919340	PLC Select	2S/1M - Multi Axle, Longer Valve Cable Lead
MIDAL919341	PLC Select	2S/1M - Dollies & Single Axle, Longer Valve Cable Lead
MIDAL919342	PLC Select	4S/2M - Multi Axle



(MIDAL919338)



(MIDAL919339)



(MIDAL919340)



(MIDAL919341)



(MIDAL919342)

Haldex

Replacement ECU

	For
MTRS446-108-201-0	2S/1M Trailers
MTRS446-108-204-0	2S/1M Dollies



(MTRS446-108-201-0)

Meritor

More Information

ECUs

ECUs, Electronic Control Units, allow the user to control the vehicle's electronics. Wheel-speed sensors and trailer power connects directly into them, with no intermediate cables required.

Air Systems

AIR

ABS Systems

Electronic Control Units

Accessories

ECU Mounting Bracket
MIDA920811



Haldex

PLCS Select Only

ECU / Valve Mounting Bracket
MTRS478-407-058-4



Meritor

2S/1M Assemblies Only

Electronic Control Module Housing
IMXGT-6201



Material: Zinc Die Cast

Power Cords

Extensions

	Length	Connectors
MIDAL919903	3.3 ft.	5 Pin Male / 5 Pin Female
MIDAL919900	6.6 ft.	5 Pin Male / 5 Pin Female
MIDAL919901	13.1 ft.	5 Pin Male / 5 Pin Female
MIDAL919902	19.7 ft.	5 Pin Male / 5 Pin Female



MIDAL919902

Haldex

Easy-Stop™ Power Cables

	Length	Connectors
MTRS894-604-944-0	3 ft.	Male Pin
MTRS-894-604-945-0	13 ft.	Male Pin
MTRS894-606-038-0	14 ft.	Male Pin
MTRS894-606-050-0	20 ft.	Male Pin



Meritor

Weather Pack Correction

Power Cords

Enhanced Easy-Stop™ Power Cables

	Length	Connectors
MTRS449-326-005-0	1.6 ft.	Male Pin / 5 ft. Conductor
MTRS449-326-010-0	3.3 ft.	Male Pin
MTRS4493260300	10 ft.	Male Pin
MTRS449-326-047-0	14 ft.	Male Pin
MTRS449-326-060-0	20 ft.	Male Pin



Enhanced with Weather Pack Connection

Meritor

Power / Diagnostic Cables

	Power Length	Diagnostic Length
MTRS449-364-142-0	1.6 ft.	10 ft.
MTRS449-364-143-0	3 ft.	10 ft.
MTRS449-364-150-0	13 ft.	10 ft.
MTRS449-364-153-0	20 ft.	10 ft.



Enhanced Y-Style; Easy-Stop™ Connectors

Meritor

Power Cords

ABS/PSI Harness WAB14402619



Wabash

Brake Monitoring Systems

BMS-2 HDXAL95694



Haldex

Application: ABS Equipped Dollies & Trailers

Accessories

Terminal Kit MIDAQ15473



Haldex

5-way Replacement Connector for Power Cords (ABS) SN154GC

RSS Sensor Extension MTRS4497230180



Meritor

Length: 6 ft.

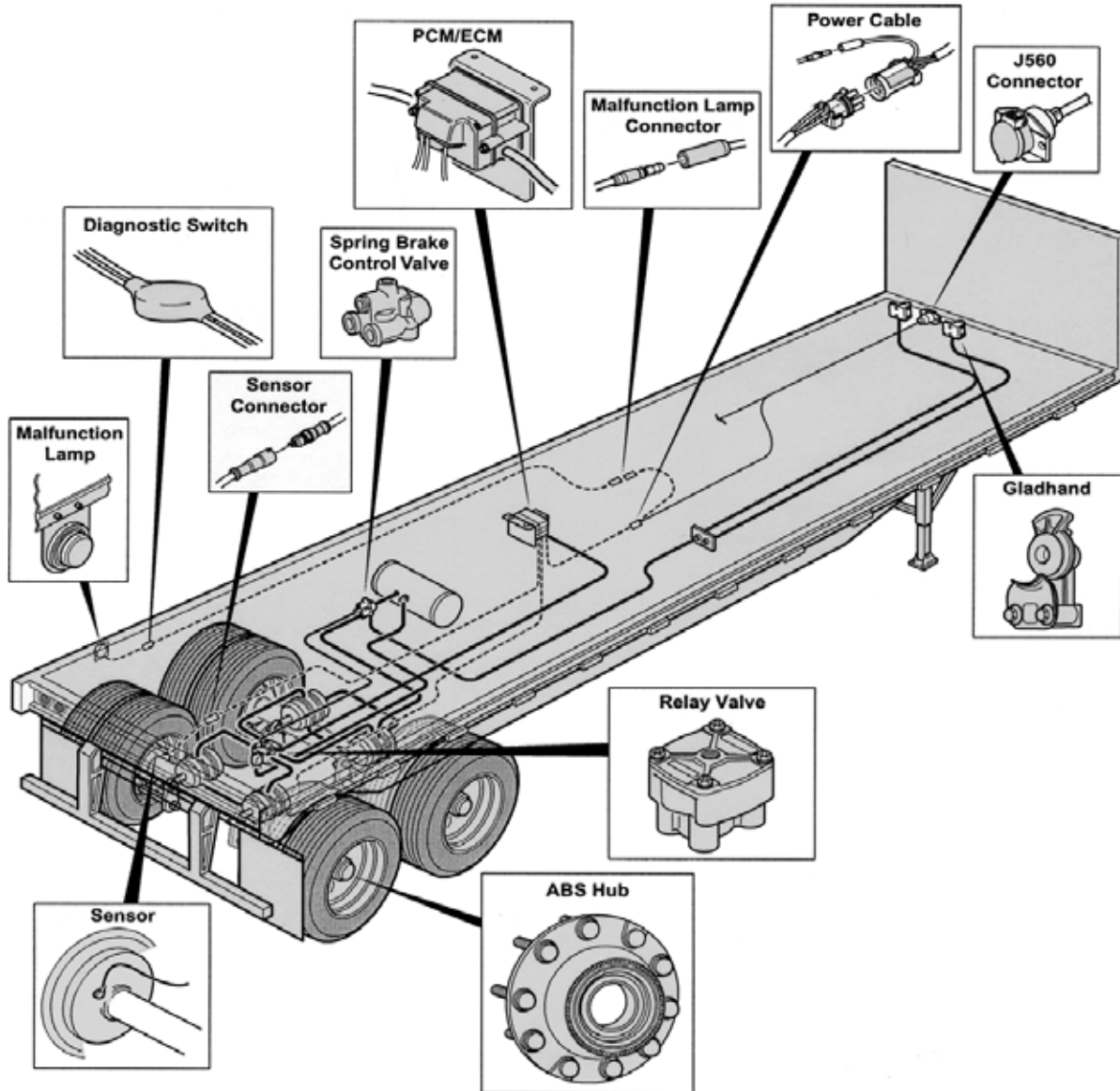
Air Systems

AIR

ABS Systems

Wabash ABS MBS-1

PROMBS1-1



Wabash ABS MBS-1

Components

Part Number	Description
PROTHO-313	ECU, 2S/1M Long Power Cable
WAB10800250	Valve



(PROTHO-313)



(WAB10800250)

WAB12S00475	MBS-1 Mounting Bracket (optional)
--------------------	-----------------------------------

BLT00650[^]	Bolt
-----------------------------	------

NUT-HNU04	Lock Nut, 1/4 in.-20 Grd 5
------------------	----------------------------

WSH-WWU04	Washer
------------------	--------

MIDAL10271914	ABS Sensor; 1-1/2 ft.
----------------------	-----------------------



MIDA59512309	ABS Sensor Clip - Midland
---------------------	---------------------------

MTRR955458	ABS Sensor Clip - S/S Wabco
-------------------	-----------------------------

MTRR955459	ABS Sensor Clip - Composite Wabco
-------------------	-----------------------------------



(MIDA59512309)



(MTRR955458)

WAB14401359	ABS Wiring Harness; 48 ft.
--------------------	----------------------------



WAB14402251	ABS Malfunction Lamp Harness with Diagnostic Switch; 2 ft.
--------------------	--

TRU30275Y	Yellow ABS Malfunction Lamp
------------------	-----------------------------

TRU30702	Malfunction Lamp Grommet
-----------------	--------------------------

WAB14A00054	Malfunction Lamp Bracket
--------------------	--------------------------

WAB14A00050	90° Malfunction Lamp Bracket
--------------------	------------------------------



(WAB14402251)



(TRU30275Y)



(TRU302702)



(WAB14A00054)



(WAB14A00050)

BEN800677	Relay Valve
------------------	-------------



25000978[^]	Flash Code Label
-----------------------------	------------------



[^]Part included for reference only.



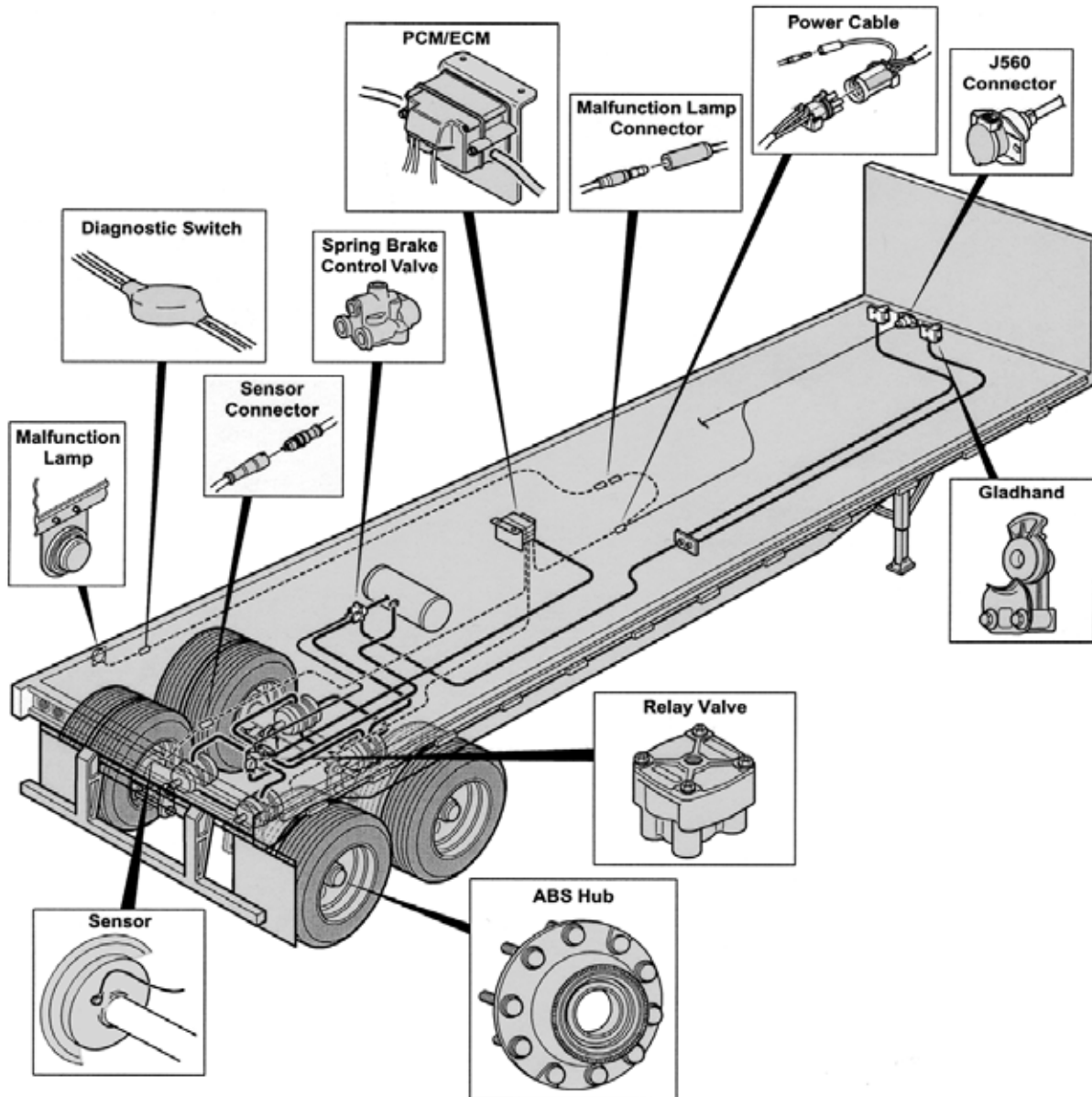
Air Systems

AIR

ABS Systems

Wabash MBS-1P

PROMBS1-1P



Wabash MBS-1P

Components

Part Number	Description
PROTHO-313	2S-1M Long Power Cable
THO-357[^]	2S-2M Short Power Cable
THO-358[^]	2S-2M Long Power Cable
THO-362[^]	4S-1M Short Power Cable
PROTHO-353	4S-1M Long Power Cable
THO-359[^]	4S-2M Short Power Cable
THO-360[^]	4S-2M Long Axle by Axle
THO-361[^]	4S-2M Short Power Cable
PROTHO-349	4S-2M Long Axle by Axle
WAB10800250	Valve



(PROTHO-313)



(WAB10800250)

WAB12S00475	MBS-1 Mounting Bracket (optional)
--------------------	-----------------------------------

BLT00650[^]	Bolt
NUT-HNU04	Lock Nut, 1/4 in.-20 Grd 5
WSH-WWU04	Washer
MIDAL10271914	ABS Sensor; 1.5 ft.



MIDA59512309	Sensor Clip - Midland
MTRR955458	Sensor Clip - S/S Wabco
MTRR955459	Sensor Clip - Composite Wabco



(MIDA59512309)



(MTRR955458)

Part Number	Description
WAB14402251	ABS Malfunction Lamp Harness with Diagnostic Switch; 2 ft.
TRU30275Y	Yellow ABS Malfunction Lamp
TRU30702	Malfunction Lamp Grommet
WAB14A00054	Malfunction Lamp Bracket
WAB14A00050	90° Malfunction Lamp Bracket



(WAB14402251)



(TRU30275Y)



(TRU302702)



(WAB14A00054)



(WAB14A00050)

BEN800677	Relay Valve
------------------	-------------



25000945[^]	Flash Code Label
-----------------------------	------------------



[^]Part included for reference only.

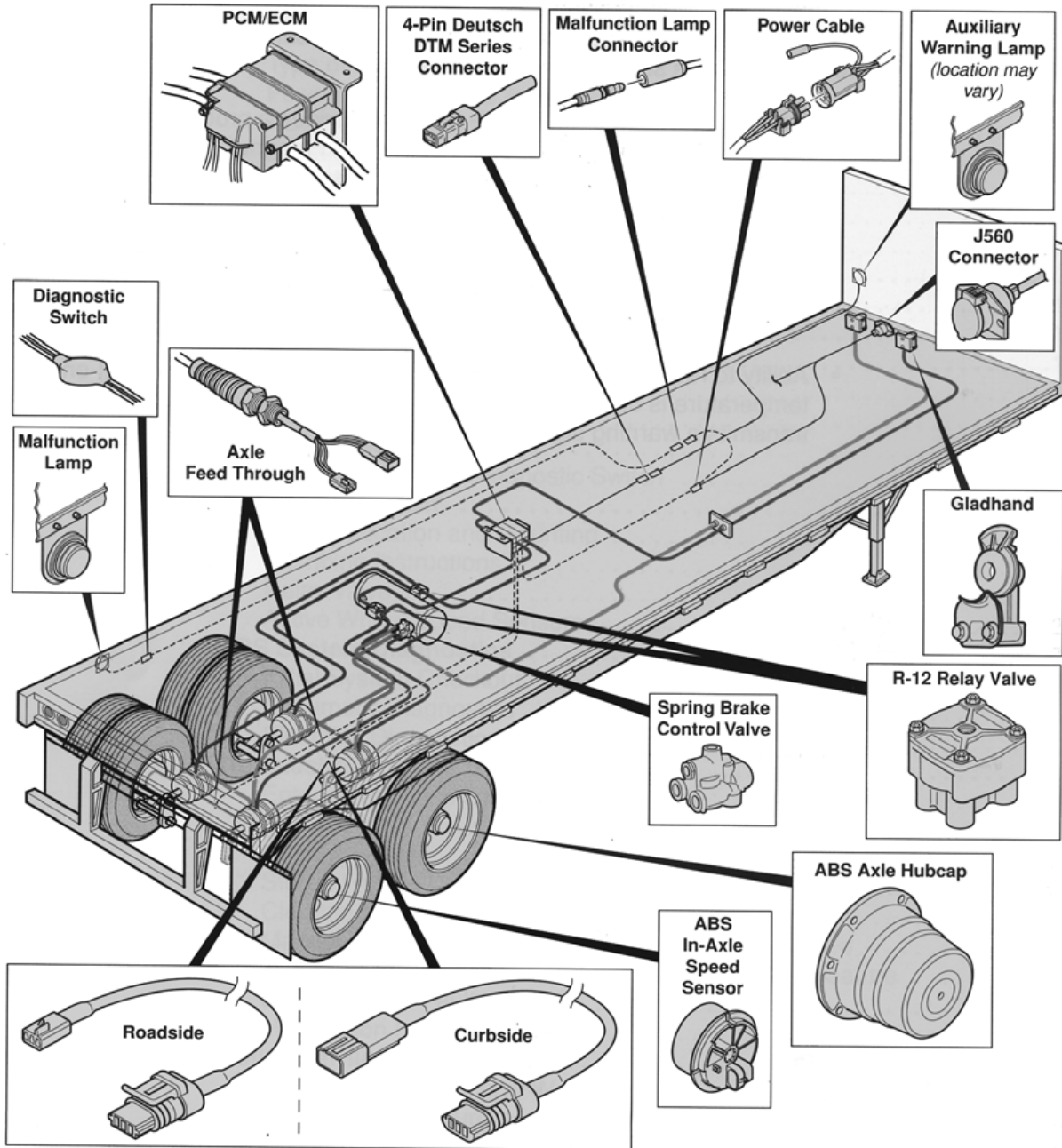
Air Systems

AIR

ABS Systems

Wabash MBS-2

PROMBS2-1



Wabash MBS-2

Components

Part Number	Description
PROTHO-316	2S-1M Short Power Cable - 168 in.
THO-317[^]	2S-1M Long Power Cable - 30 in.
PROTHO-318	2S-2M Short Power Cable - 168 in.
THO-319[^]	2S-2M Long Power Cable - 30 in.
PROTHO-320	4S-1M Short Power Cable - 168 in.
THO-321[^]	4S-1M Long Power Cable - 30 in.
PROTHO-315	4S-2M Short Power Cable - 168 in.
THO-324[^]	4S-2M Long Axle by Axle - 30 in.
THO-322[^]	4S-2M Short Power Cable - 168 in.
THO-323[^]	4S-2M Long Side by Side - 30 in.
WAB10800250	Vavle



(PROTHO-316) ///



(WAB10800250)

WAB10600530	ABS Hubcap for In-Axle Sensor with TP-Spindle 6 Hole
--------------------	--

WAB10600482	ABS Hubcap; Duckbill Vent
--------------------	---------------------------



(WAB10600530)



(WAB10600482)

Accessories

Hubcap Gasket
WAB10600483

10800294[^]	Spindle Extension Adapter for In-Axle - Sensor (Aluminum Hub)
-----------------------------	---

WAB10800282	Curbside In-Axle Sensor
--------------------	-------------------------

WAB10800283	Roadside In-Axle Sensor
--------------------	-------------------------

WAB10800291	Curbside In-Axle Sensor Cable - 60 in.
--------------------	--

WAB10800292	Roadside In-Axle Sensor Cable - 60 in.
--------------------	--

BLTF9921723-0192	Speed Sensor Mounting Bolt (Standard Hub)
-------------------------	---

WSH00152	Mounting Bolt Wave Washer (Standard Hub)
-----------------	--

Part Number	Description
WAB12S00475	MBS-1 Mounting Bracket (Optional)
BLT00650[^]	Bolt - 3-1/2 in. 1M System
BLT00732[^]	Bolt - 5-1/2 in. 2M System
NUT-HNU04	Lock Nut, 1/4 in.-20 Grd 5
WSH-WWU04	Washer
WAB14401359	ABS Wiring Harness 48 ft.



WAB14402251	ABS Malfunction Lamp Harness with Diagnostic Switch; 2 ft.
--------------------	--

TRU30275Y	Yellow ABS Malfunction Lamp
------------------	-----------------------------

TRU30702	Malfunction Lamp Grommet
-----------------	--------------------------

WAB14A00054	Malfunction Lamp Bracket
--------------------	--------------------------

WAB14A00050	90° Malfunction Lamp Bracket
--------------------	------------------------------



(WAB14402251)



(TRU30275Y)



(TRU302702)



(WAB14A00054)



(WAB14A00050)

BEN800677	Relay Valve
------------------	-------------



25000945[^]	Flash Code Label
-----------------------------	------------------

MTR1250F-526	Freeze Plug
---------------------	-------------



[^]Part included for reference only.



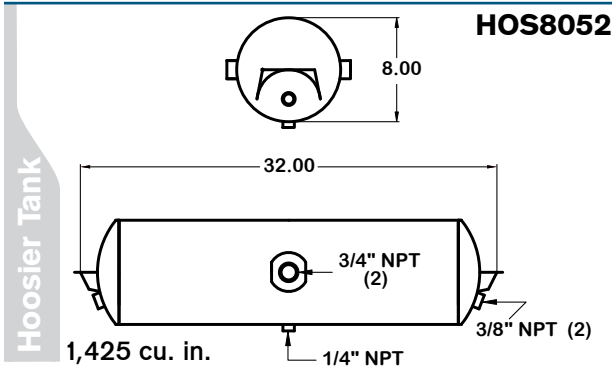
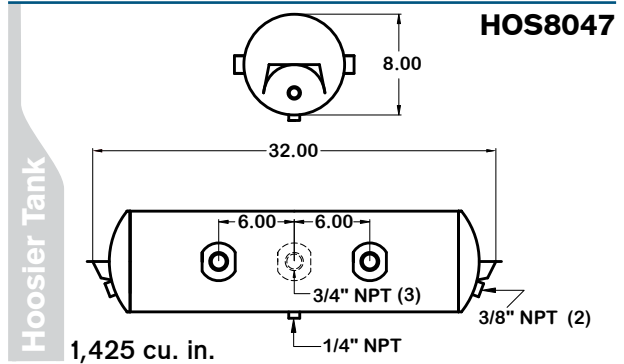
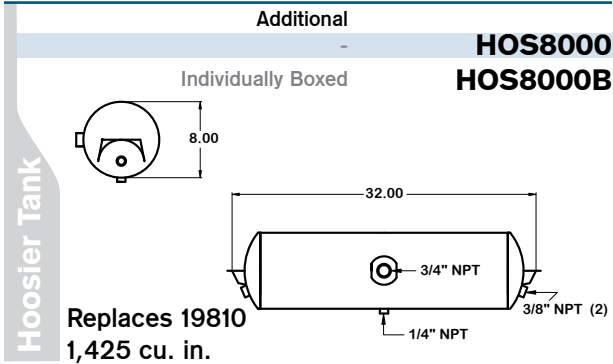
Air Systems

AIR

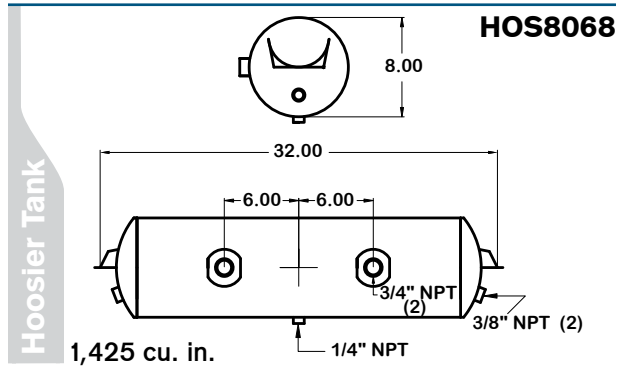
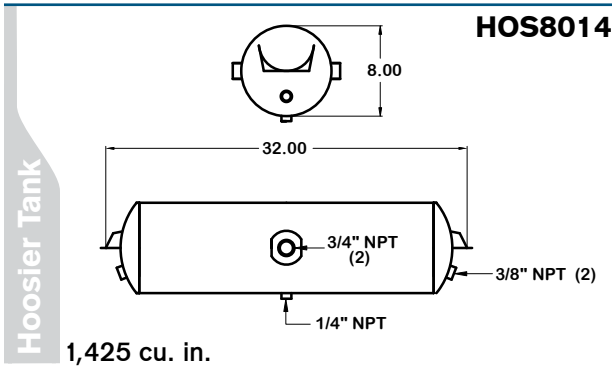
Air Tanks

Air Tanks

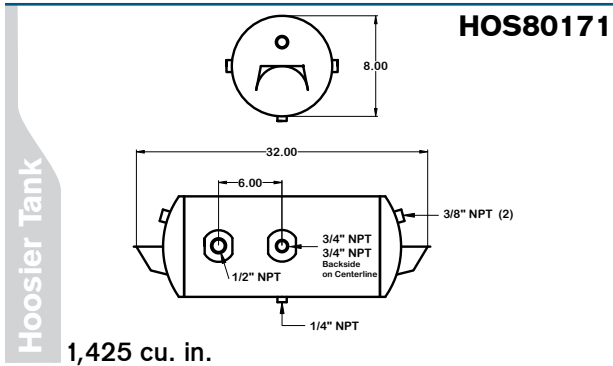
HT-8000: Sub-Series 1 Bottom Mount



HT-8000: Sub-Series 2 Top Mount



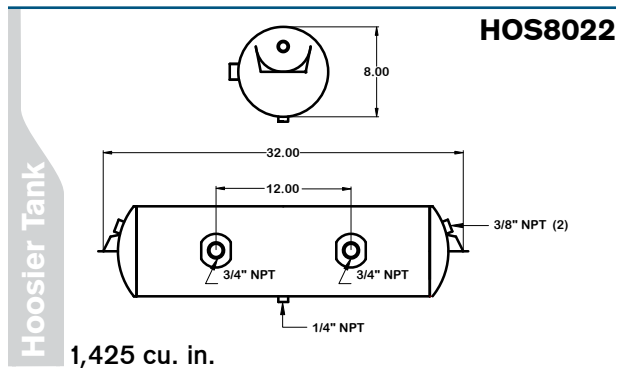
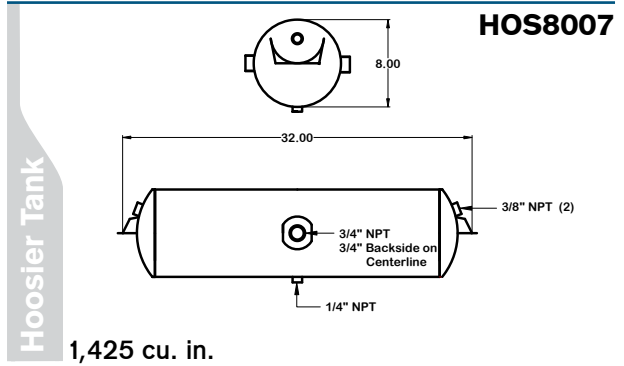
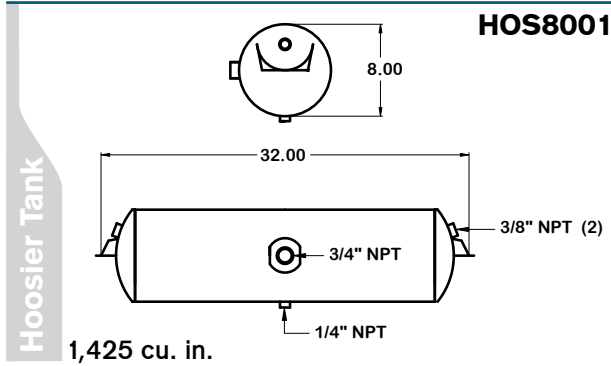
HT-8000: Sub-Series 3 Bottom Mount



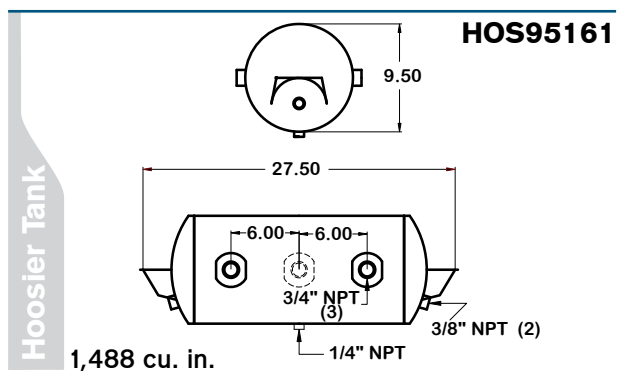
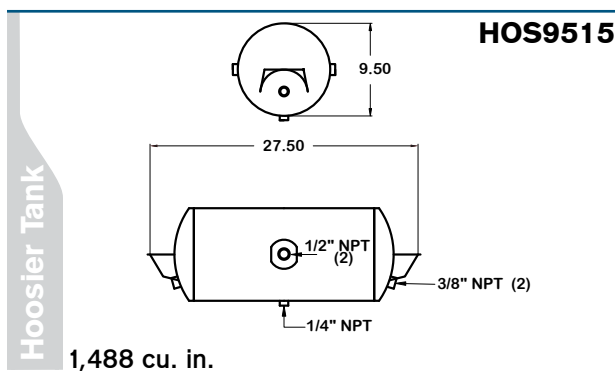
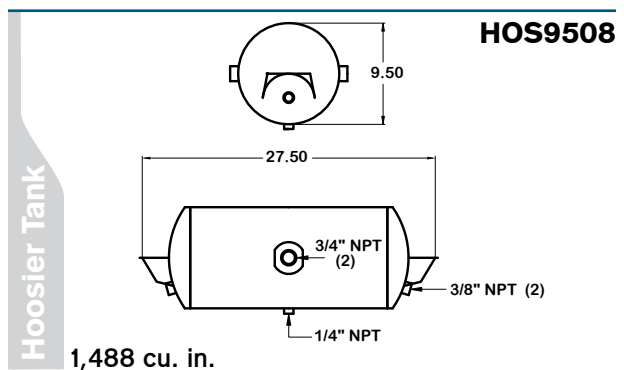
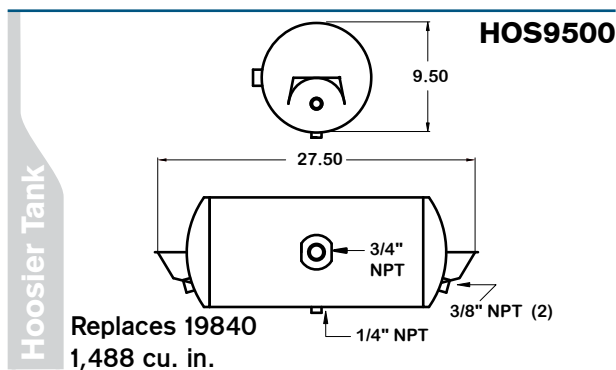
Air Tanks

Air Tanks

HT-8000: Sub-Series 4 Top Mount



HT-9500: Sub-Series 1 Bottom Mount



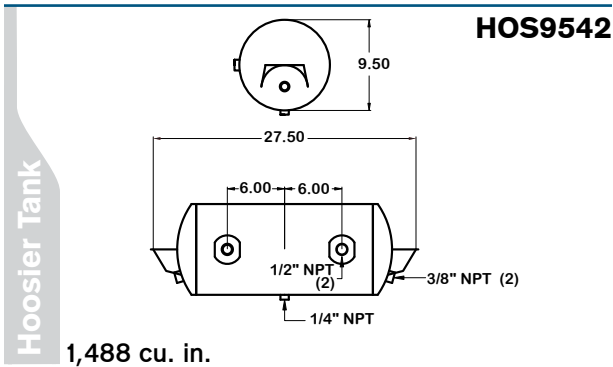
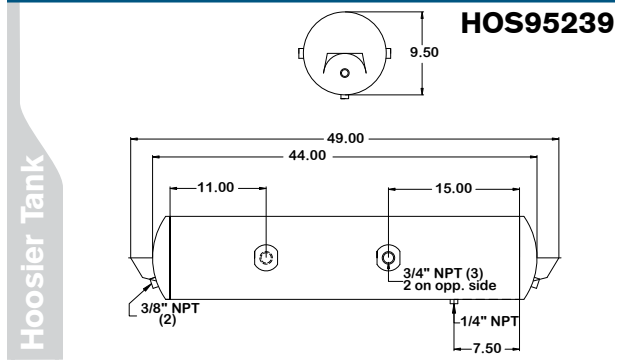
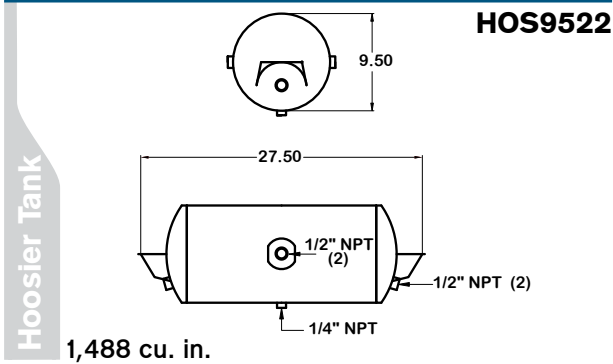
Air Systems

AIR

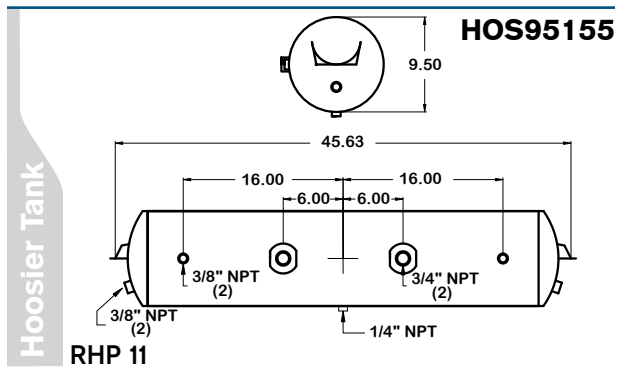
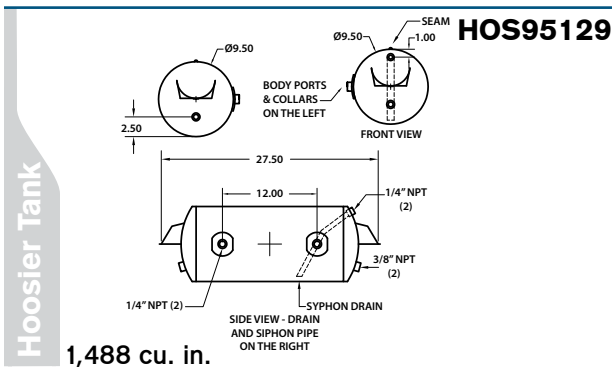
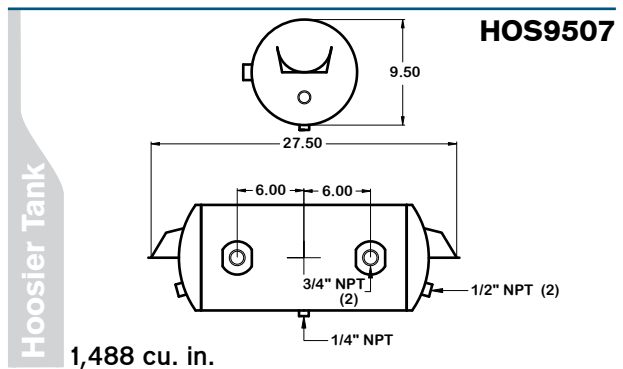
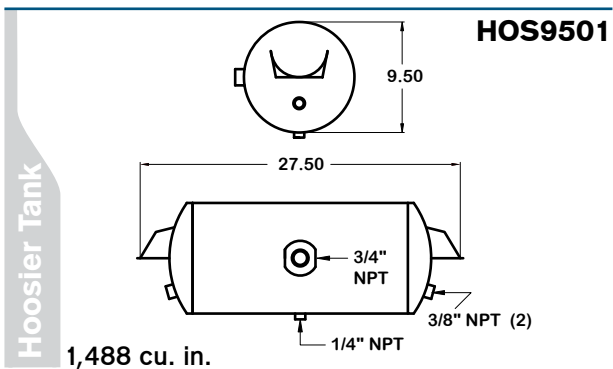
Air Tanks

Air Tanks

HT-9500: Sub-Series 1 Bottom Mount



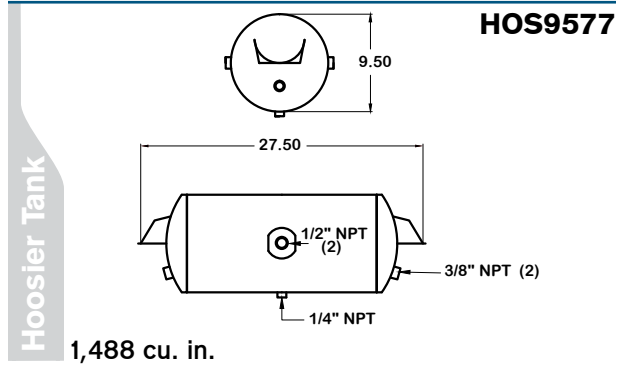
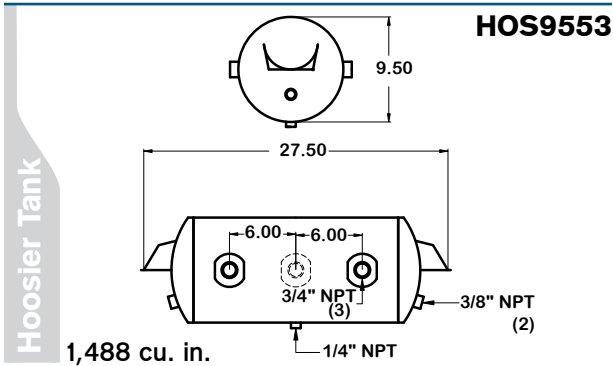
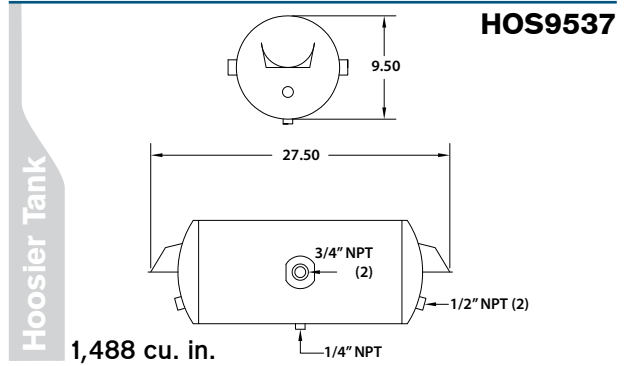
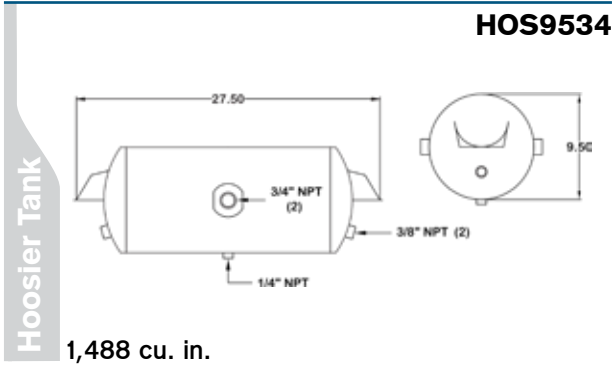
HT-9500: Sub-Series 2 Top Mount



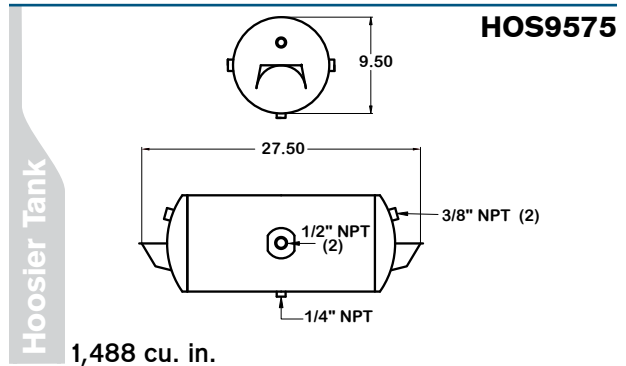
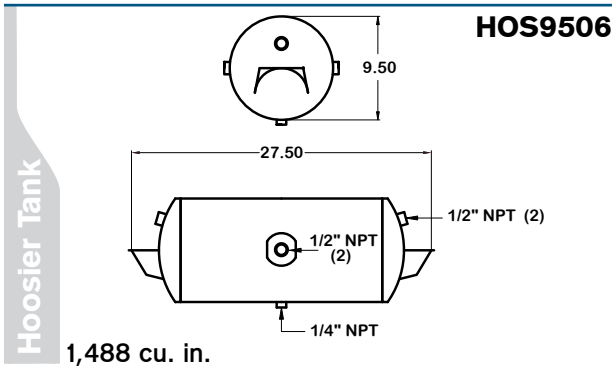
Air Tanks

Air Tanks

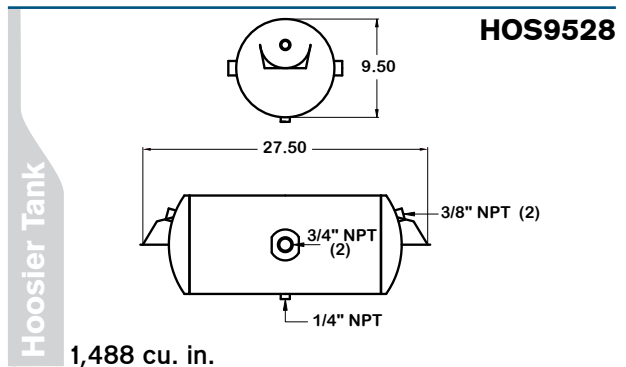
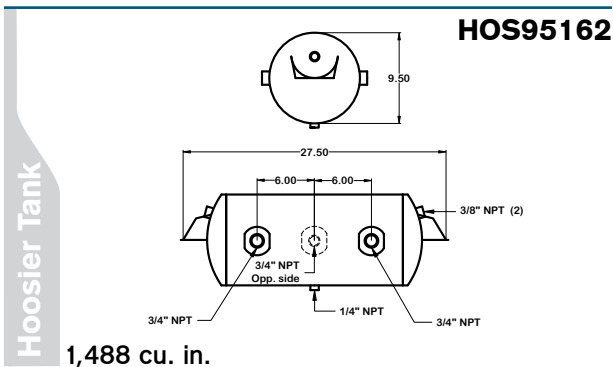
HT-9500: Sub-Series 2 Top Mount



HT-9500: Sub-Series 3 Bottom Mount



HT-9500: Sub-Series 4 Top Mount

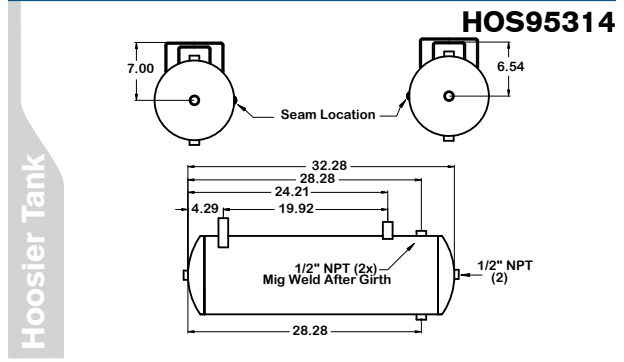
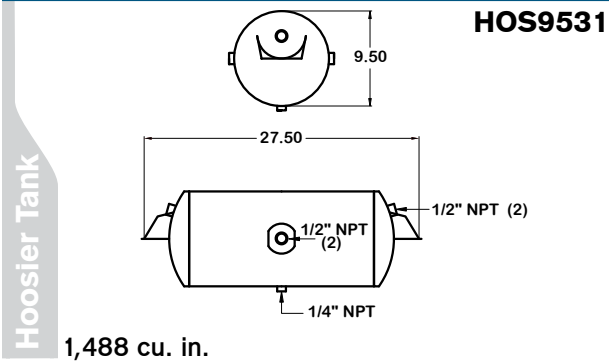


Air Systems

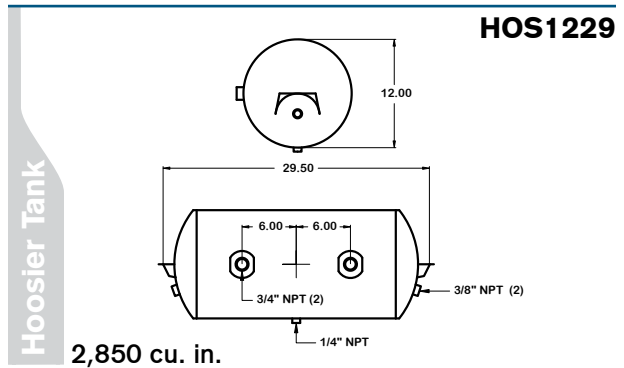
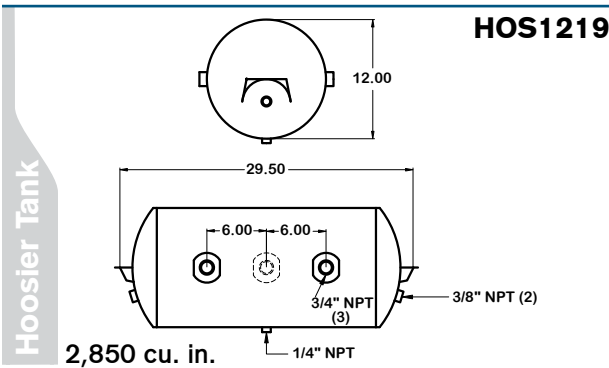
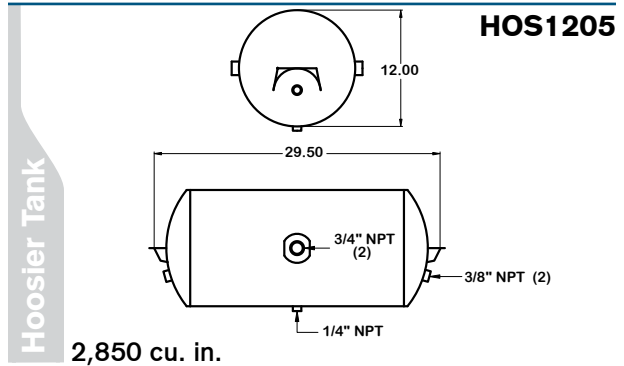
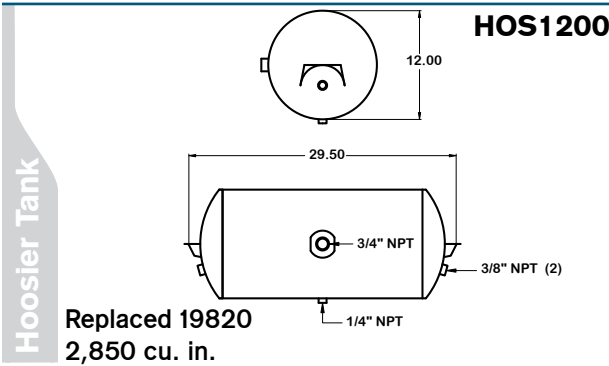
Air Tanks

Air Tanks

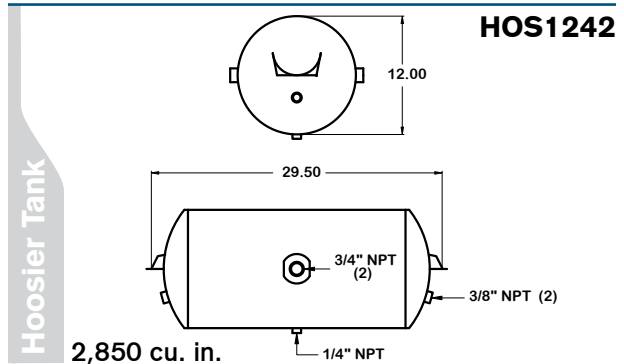
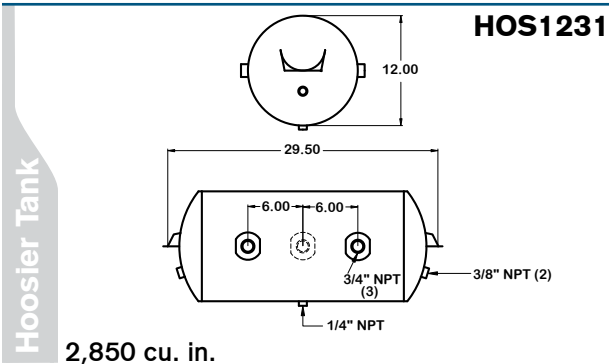
HT-9500: Sub-Series 4 Top Mount



HT-1200: Sub-Series 1 Bottom Mount



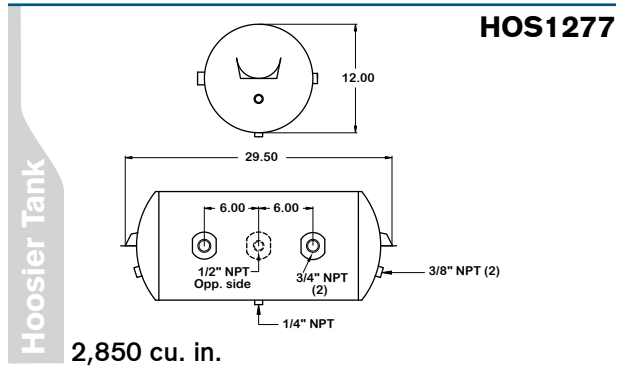
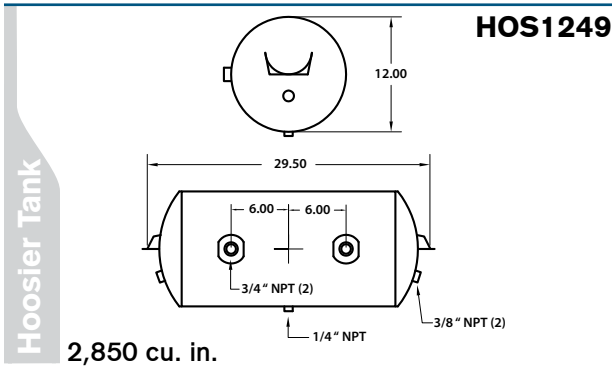
HT-1200: Sub-Series 2 Top Mount



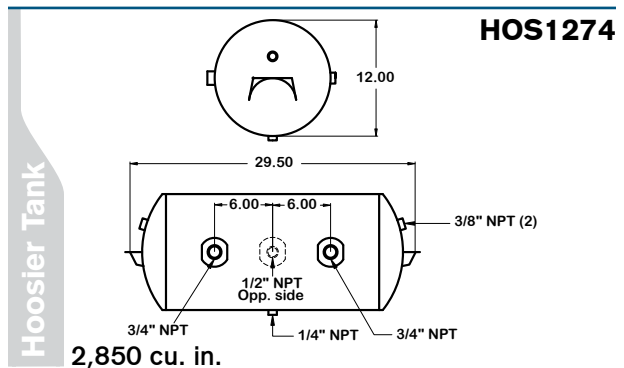
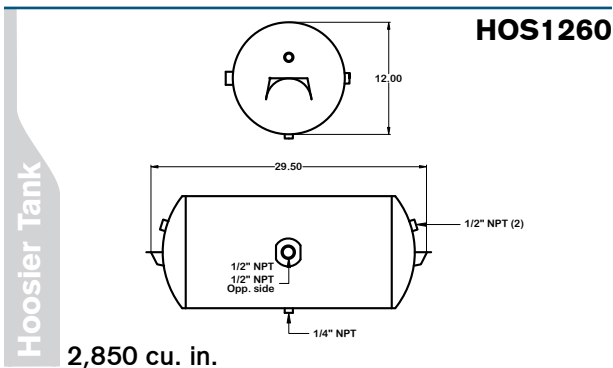
Air Tanks

Air Tanks

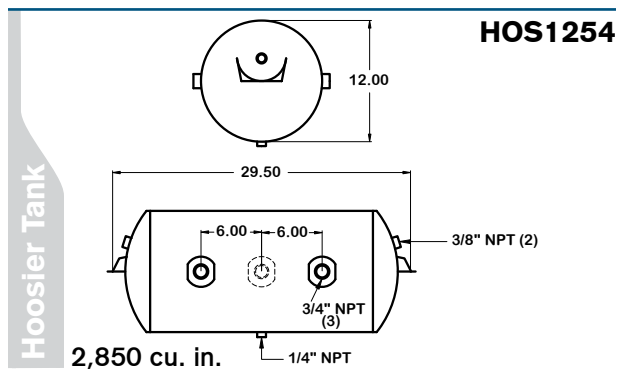
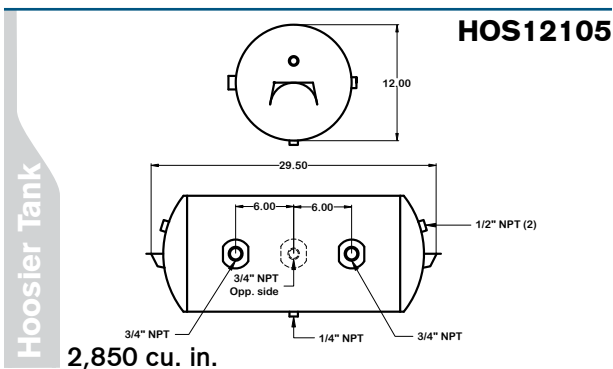
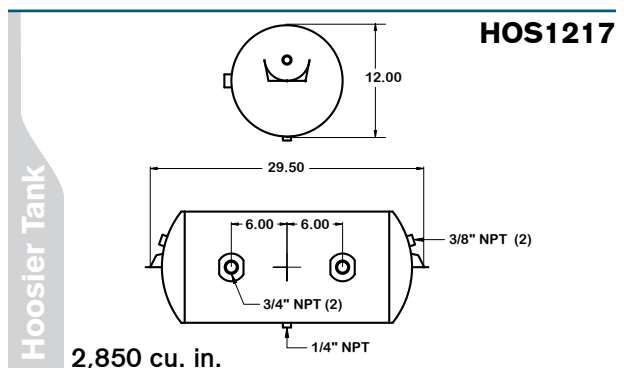
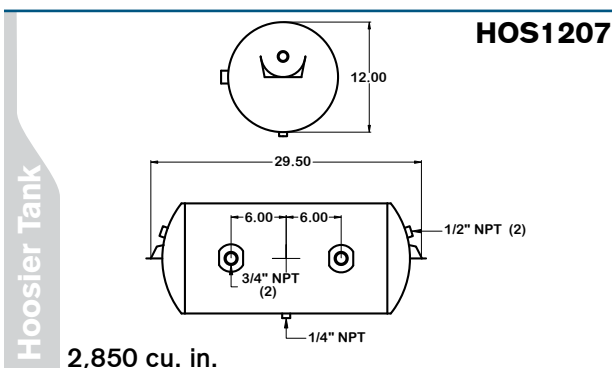
HT-1200: Sub-Series 2 Top Mount



HT-1200: Sub-Series 3 Bottom Mount




HT-1200: Sub-Series 4 Top Mount



Air Tank Accessories

Drain Valve

Length	Part Number
4 ft.	MID12104
5 ft.	MID12105



Haldex
Loop End
High Profile

1/4" Fitting

Heavy Duty Drain Valve

Pipe Thread	Length	Part Number
1/4 in.	5 ft.	PHI12-820
3/8 in.	5 ft.	PHI12-822



Phillips

Drain Valve PROVA-5300



Pro-Par

Drain Valve

Type	Length	Part Number
Kit	5 ft.	TRA35013
	4 ft.	TRA35002-048



Tramec

(TRA35013) (TRA35002-048)

Kit Includes: 1/4 in. fitting, open end, low profile

Male Standard Drain Cock

Part Number	Tube Size
PROBF13-1	1/2 in.
PROBF13-2	1/8 in.
PROBF13-3	1/4 in.
PROBF13-4	3/8 in.
PROBF13-5	1/4 in.



Pro-Par

Male Pipe Drain Cock

Part Number	Tube Size
PROBF13-15	1/8 in.
PROBF13-16	1/4 in.
PROBF13-17	3/8 in.
PROBF13-18	1/2 in.



Pro-Par



Air Tank Accessories

Air Tanks

Fruehauf



Drain Cock
FRU534434

Kwik-loc



Tank Mounting Washer
KWI658328

Inner Diameter: 3/8 in. Thickness: 1/4 in.
Outer Diameter: 1-1/4 in. Material: Rubber

Fruehauf



Tank Mounting Pad
FRUAXA0180

Material: Rubber
Thickness: 1/4 in.

Hoosier Tank



Tank Mounting Pad
HOS1068

2 in. x 4 in. Material: Rubber
2 Holes

FRUEHAUF

Hoosier Tank
HOOSIER TANK

Tech Tip

Pro-Par Air Dryer Components

Air Dryer	PROAD-065225	PROAD-IP-065612	PROAD-IS-801266	PROAD-R955205	PROAD-R955300
Cartridge	PROAD-107794	PROAD-065624-AD-IP	PROAD-5008414PG	PROAD-950068	PROAD-950068
	PROAD-107796PG			PROAD-950011	PROAD-950011
Header Kit	PROAD-109578	PROAD-109495	PROAD-109495	PROAD-R950015	PROAD-R950015
Check Valve	PROAD-107800	PROAD-030P0005	PROAD-5004049	PROAD-R950017	PROAD-R950017
Purge Valve	PROAD-5004479	PROAD-K022105	PROAD-K022105		
	PROAD-5005037	PROAD-800404	PROAD-800404		
	PROAD-5005037K				
Valve Relief	PROAD-800350				
Rebuild Kit				PROAD-RL3511ER-9	PROAD-RL3511ER-9
Bracket	PROAD-107695				
Harness	PROAD-109869	PROAD-109869	PROAD-109869	PROAD-109869	PROAD-109869
Cutoff Valve				PROAD-R950013	PROAD-R950013

Air Systems

AIR

Air Treatment Systems

Air Treatment Systems

Air Dryers

AD9
PROAD-065225

Pro-Par

AP-IP
PROAD-IP-065612

Pro-Par

AD-IS
PROAD-IS-801266

Pro-Par

12 Volt
Cut-Off Pressure: 900±20 kPa

1200 Series
PROAD-R955205

Pro-Par

11-1/4 in. tall

Air Dryers

PROAD-R955300

Pro-Par

12 Volt
Safety Valve Open Pressure: 1100±70 kPa

Cartridges

MTRR950068A

Meritor

Type: Oil Coalescing

Cartridges

AD-IP
PROAD-065624-AD-IP

Pro-Par

Type: Standard

AD-4

Type	
Standard	PROAD-104358
Oil Coalescing	PROAD-104358PG

Pro-Par

Air Treatment Systems

Air Treatment Systems

Cartridges

AD-9

Type
Standard **PROAD-107794**
Oil Coalescing **PROAD-107796PG**

Pro-Par



AD-SP & System Saver
PROAD-950011

Pro-Par



Type: Standard

PROAD-50085414PG

Pro-Par



Type: Oil Coalescing

System Saver
PROAD-950068

Pro-Par



Type: Oil Coalescing

Heater Kits

SS1200

PROAD-R950015

Pro-Par



12 Volt

AP-IP / AD-IS

PROAD-109495

Pro-Par



12 Volt

AD-9

PROAD-109578

Pro-Par



12 Volt

Air Systems

AIR

Air Treatment Systems

Air Treatment Systems

Valves

Air Dryer Purge Valve
BENK022105

Bendix



Applications:
AD-IS Dryer or AD-IP Dryer

AD-IP Delivery Check
PROAD-030P005

Pro-Par



AD-9 Check Valve Kit
PROAD-107800

Pro-Par



AD-IS Governor & Check
PROAD-500409

Pro-Par



AD-9

AD-9

Type	
Soft Seat Purge	PROAD-5004341
Soft Hard Purge	PROAD-5004479

PROAD-5005037
PROAD-5005037K

Pro-Par



Pro-Par



Type: Hard Seat Purge

AD-9 Pressure Relief Valve
PROAD-800350

AD-IP / AD-IS Service Purge Valve
PROAD-800404

Pro-Par



Pro-Par



Air Treatment Systems

Valves

AD-IP / AD-IS Purge Valve
PROAD-K022105



Pro-Par

SS1200 Turbo Cut-Off Valve
PROAD-R950013



Pro-Par

SS1200 Check Valve
PROAD-R950017



Pro-Par

SS1200 Purge / Regen Rebuild Kit
PROAD-RL3511ER-9



Pro-Par

AD-9 Bracket
PROAD-107695



Pro-Par

Accessories
AD9 Wiring Harness
PROAD-109869



Pro-Par

12 Volt

AIR-DEFENSE™ System

- PHI12-815
- PHI12-035

- Description
- System
- Replacement Filter



(PHI12-815)



(PHI12-035)

Phillips

Air Brake Fitting for Copper Tubing

Union

Tube Size	Part Number
3/8 in.	PROBF5-14



Pro-Par

Male Connector

Tube Size	Pipe Size	Part Number
3/8 in.	3/8 in.	PROBF5-43



Pro-Par

Air Brake Hose Ends

Male Connectors with Spring Guard

Part Number	Hose Size	Pipe Thread
MID11900	3/8 in.	1/4 in.
MID11901	3/8 in.	3/8 in.
MID11902	3/8 in.	1/2 in.



Haldex

Hose Union

Thread	Hose Size	Part Number
3/8 in.	3/8 in.	MID11904
1/2 in.	3/8 in.	MID11905



Haldex

Hose Size	Part Number
3/8 in.	MID11913



Haldex

Union

Hose Size	Pipe Size	Part Number
1/2 in.	3/4 in. - 20	PROBF4-1
3/8 in.	3/4 in. - 20	PROBF4-3



Pro-Par

Female Swivel Connector

Hose Size	Straight Thread	Part Number
3/8 in.	3/4 in. - 20	PROBF4-6
1/2 in.	7/8 in. - 20	PROBF4-10



Pro-Par

Air Brake Hose Ends



For a complete list of available Pro-Par air fittings, see the Pro-Par Air Fittings Catalog part number PROBFCATALOG.

Female Swivel with Adapter

Hose & Pipe Size	Straight Thread	Part Number
3/8 in.	3/4 in. - 20	PROBF4-8

Pro-Par



Fittings

Male Connector

Part Number	Hose Size	Pipe Size
PROBF4-13	1/2 in.	1/2 in.
PROBF4-15	1/2 in.	3/8 in.
PROBF4-17	3/8 in.	1/2 in.
PROBF4-19	3/8 in.	1/4 in.
PROBF4-21	3/8 in.	3/8 in.



Pro-Par

Male Connector with Spring Guard

Part Number	Hose Size	Pipe Size
PROBF4-14	1/2 in.	1/2 in.
PROBF4-16	1/2 in.	3/8 in.
PROBF4-18	3/8 in.	1/2 in.
PROBF4-20	3/8 in.	1/4 in.
PROBF4-22	3/8 in.	3/8 in.



Pro-Par

Hose Nut

Hose Size	Part Number
3/8 in.	PROBF4-25

Pro-Par



Sleeve

Hose Size	Part Number
3/8 in.	PROBF4-30
1/2 in.	PROBF4-31

Pro-Par



Adapter

Part Number	Hose Size	Pipe Size	Straight Thread
PROBF4-38	3/8 in.	1/4 in.	3/4 in. - 20
PROBF4-39	3/8 in.	3/8 in.	3/4 in. - 20
PROBF4-40	3/8 in.	1/2 in.	3/4 in. - 20



Pro-Par

Air Brake Hose Ends

End Fittings - for 3/8 in. Hose Only

	Size	Type
TRA31302	3/8 in.	Individual
TRA31402	3/8 in.	Kit of 2
TRA31305	1/2 in.	Individual
TRA31403	1/2 in.	Kit of 2



Tramec

Brass Pipe Fittings

Pipe Cap

Part Number	Pipe Size
PROBF3-5	3/4 in.
PROBF3-6	1/8 in.
PROBF3-7	1/4 in.
PROBF3-8	3/8 in.
PROBF3-9	1/2 in.



Pro-Par

Square Head Pipe Plug

Part Number	Pipe Size
PROBF3-13	3/4 in.
PROBF3-15	1/8 in.
PROBF3-16	1/4 in.
PROBF3-17	3/8 in.
PROBF3-18	1/2 in.



Pro-Par

Hex Head Pipe Plug

Part Number	Pipe Size
PROBF3-19	3/4 in.
PROBF3-20	1/8 in.
PROBF3-21	1/4 in.
PROBF3-22	3/8 in.
PROBF3-23	1/2 in.



Pro-Par

Hex Countersink Pipe Plug

Part Number	Pipe Size
PROBF3-24	1/8 in.
PROBF3-25	1/4 in.
PROBF3-26	3/8 in.
PROBF3-27	1/2 in.



Pro-Par

Brass Pipe Fittings

Fittings

Pipe Adapter

Part Number	Female Pipe Size	Male Pipe Size
PROBF3-33	1/4 in.	1/8 in.
PROBF3-34	3/8 in.	3/8 in.
PROBF3-36	3/8 in.	1/4 in.
PROBF3-37	1/2 in.	1/2 in.
PROBF3-39	1/2 in.	3/8 in.



Pro-Par

Pipe - Reducer Bushing

Part Number	Pipe Size	Pipe Size
PROBF3-41	3/4 in.	1/4 in.
PROBF3-42	3/4 in.	3/8 in.
PROBF3-43	3/4 in.	1/2 in.
PROBF3-45	1/4 in.	1/8 in.
PROBF3-46	3/8 in.	1/8 in.
PROBF3-47	3/8 in.	1/4 in.
PROBF3-48	1/2 in.	1/8 in.
PROBF3-49	1/2 in.	1/4 in.
PROBF3-50	1/2 in.	3/8 in.



Pro-Par

Female Pipe Coupling

Part Number	Pipe Size	Pipe Size
PROBF3-57	3/4 in.	1/2 in.
PROBF3-58	1/8 in.	1/8 in.
PROBF3-59	1/4 in.	1/4 in.
PROBF3-61	3/8 in.	3/8 in.
PROBF3-63	3/8 in.	1/4 in.
PROBF3-64	1/2 in.	1/2 in.
PROBF3-66	1/2 in.	1/4 in.
PROBF3-67	1/2 in.	3/8 in.



Pro-Par

Hex Nipple

Part Number	Pipe Size	Pipe Size
PROBF3-68	3/4 in.	3/4 in.
PROBF3-69	1/2 in.	3/4 in.
PROBF3-75	1/8 in.	1/8 in.
PROBF3-76	1/4 in.	1/4 in.
PROBF3-78	3/8 in.	3/8 in.
PROBF3-80	3/8 in.	1/4 in.
PROBF3-82	1/2 in.	1/2 in.
PROBF3-84	1/2 in.	3/8 in.



Material: Brass

Pro-Par

Brass Pipe Fittings

Hex Nipple

Part Number	Pipe Size	Pipe Size	V-Seal
PROBF3-70	1/2 in.	3/4 in.	No
PROBF3-71	1/2 in.	3/4 in.	Yes
PROBF3-73	3/4 in.	3/4 in.	Yes
PROBF3-86	1/2 in.	1/2 in.	No



Pro-Par

Material: Steel

Close Pipe Nipple

Part Number	Pipe Size
PROBF3-88	3/4 in.
PROBF3-89	1/8 in.
PROBF3-90	1/4 in.
PROBF3-91	3/8 in.
PROBF3-92	1/2 in.



Pro-Par

Long Nipple Yellow Brass

Part Number	Pipe Size	Length
PROBF3-94	1/4 in.	1-1/2 in.
PROBF3-96	1/2 in.	1-1/2 in.
PROBF3-103	3/8 in.	2 in.
PROBF3-122	1/2 in.	3 in.



Pro-Par

45° Street Elbow

Part Number	Pipe Size
PROBF3-168	3/4 in.
PROBF3-169	1/8 in.
PROBF3-170	1/4 in.
PROBF3-171	3/8 in.
PROBF3-172	1/2 in.



Pro-Par

90° Street Elbow

Part Number	Pipe Size	Pipe Size
PROBF3-179	1/8 in.	1/8 in.
PROBF3-180	1/4 in.	1/4 in.
PROBF3-182	3/8 in.	3/8 in.
PROBF3-183	1/2 in.	1/2 in.
PROBF3-184	1/2 in.	3/8 in.



Pro-Par



Brass Pipe Fittings

90° Male Elbow

Part Number	Pipe Size
PROBF3-185	1/8 in.
PROBF3-186	1/4 in.
PROBF3-187	3/8 in.
PROBF3-188	1/2 in.



Pro-Par

90° Female Elbow

Part Number	Pipe Size
PROBF3-190	1/8 in.
PROBF3-191	1/4 in.
PROBF3-192	3/8 in.
PROBF3-193	1/2 in.



Pro-Par

Male Branch Tee

Part Number	Pipe Size
PROBF3-194	3/4 in.
PROBF3-195	1/8 in.
PROBF3-196	1/4 in.
PROBF3-197	3/8 in.
PROBF3-198	1/2 in.



Pro-Par

Female Tee

Part Number	Pipe Size
PROBF3-201	1/4 in.
PROBF3-202	3/8 in.
PROBF3-203	1/2 in.



Pro-Par

Street Tee

Part Number	Pipe Size	Pipe Size
PROBF3-205	1/4 in.	1/4 in.
PROBF3-206	3/8 in.	3/8 in.
PROBF3-208	1/2 in.	1/2 in.



Pro-Par

Hex Nipple

Additional	Thread Size	
Wrench Pad	1/2 in. x 3/4 in.	SEA616



Sealco

Nipple

Additional	Thread Size	
-	1/2 in. x 1/2 in.	SEA6002
-	1/2 in. x 3/4 in.	SEA6003
Wrench Pad	3/4 in. x 3/4 in.	SEA6006



Sealco

Air Systems

AIR

Fittings

Bulkhead Fittings

Furehauf

Size	
3/8 in.	FRUACE6251-1
1/2 in.	FRUACE6251-2



Fruhauf

Tubing Type	Size	
Copper	3/8 in.	FRUACC3600-1
Nylon	3/8 in.	FRUACC3600-2
Nylon	1/2 in.	FRUACE6225-1



Economy

Size	
1/2 in. x 1/4 in.	IMXGT-5251
1/2 in. x 3/8 in.	IMXGT-5253



Economy

Size	
3/8 in.	IMXGT-5254
1/4 in.	IMXGT-5255



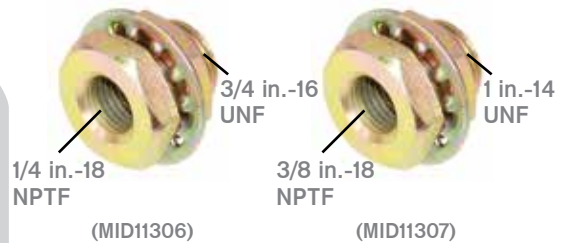
Haldex

Size	Length	
1/2 in. x 3/8 in.	1-5/8 in.	MID11304



Haldex

Size	Length	
3/4 in. x 1/4 in.	1-3/8"	MID11306
1.00 in. x 3/8 in.	1-3/8"	MID11307



Pro-Par

Diameter	Thread	Length	
1-1/8 in.	7/8 in. - 20	0.28 in.	PROBF1-2



Pro-Par

Type	
Steel Nut	PROBF1-6
Steel Body	PROBF1-8



Outer:	1/2 in. - 14	Body:	1 in. - 14
Inside:	1/4 in. - 18	Length:	2-7/8 in.

Fittings

Bulkhead Fittings

Fittings

Type	Outer	Body	Inside	Part Number
Steel Nut	3/8 in. - 18	1 in. - 14	1 in. - 14	PROBF1-9
Steel Body	1-5/16 in.			PROBF1-11



Pro-Par

Outer	Body	Inside	Part Number
1/2 in.	7/8 in. - 20	3/8 in. - 18	PROBF1-12



Pro-Par

Length: 1-15/16 in.

Outer	Body	Inside	Part Number
3/8 in.	7/8 in. - 20	3/8 in. - 18	PROBF1-13



Pro-Par

Length: 1-3/4 in.

Outer	Body	Inside	Part Number
1/2 in. - 14	3/4 in. - 16	1/4 in. - 18	PROBF1-17



Pro-Par

Length: 1-11/16 in.

Outer	Body	Inside	Part Number
3/8 in. - 18	1 in. - 14	1/2 in. - 14	PROBF1-18



Pro-Par


Length: 1-7/8 in.

Outer	Body	Length	Part Number
3/8 in. - 18	7/8 in. - 20	2-3/8 in.	PROBF1-21



Pro-Par

Type	Outer	Body	Length	Part Number
Brass Nut	1/2 in. - 14	1 in. - 14	1-11/16 in.	PROBF1-22
Steel Nut	3/8 in. - 18			PROBF1-23



Pro-Par


Type	Outer	Body	Length	Part Number
Steel Nut	1/2 in. - 14	1 in. - 14	1-29/32 in.	PROBF1-26
Steel Body	3/8 in. - 18			PROBF1-28



Pro-Par

Bulkhead Fittings


Type	Part Number
Steel Nut	PROBF1-29
Steel Body	PROBF1-31



Pro-Par

Outer: 1/4 in. - 18 Body: 3/4 in. - 16
Length: 1-1/2 in.

Outer	Body	Inside	Part Number
1/2 in. - 14	3/4 in. - 16	1/4 in. - 18	PROBF1-33



Pro-Par

Length: 2-5/32 in.

Outer	Body	Length	Part Number
1/2 in. - 14	1-1/8 in. - 14	1-1/2 in.	PROBF1-34



Pro-Par

Size	Part Number
1/2 in. x 1/4 in.	TRA50027



Tramec

Nylon Tube Fittings

Sleeve

Part Number	Tube Size
PROBF2-1	5/8 in.
PROBF2-2	3/4 in.
PROBF2-3	1/4 in.
PROBF2-4	3/8 in.
PROBF2-5	1/2 in.

Pro-Par



Nut

Part Number	Tube Size
PROBF2-6	5/8 in.
PROBF2-7	3/4 in.
PROBF2-8	1/4 in.
PROBF2-9	3/8 in.
PROBF2-10	1/2 in.

Pro-Par



Nylon Tube Fittings

Fittings

Union

Part Number	Tube Size
PROBF2-11	5/8 in.
PROBF2-12	3/4 in.
PROBF2-13	1/4 in.
PROBF2-14	3/8 in.
PROBF2-15	1/2 in.



Pro-Par

Union Tee

Part Number	Tube Size
PROBF2-17	1/4 in. x 1/4 in. x 1/4 in.
PROBF2-19	3/8 in. x 3/8 in. x 3/8 in.
PROBF2-21	1/2 in. x 1/2 in. x 1/2 in.



Pro-Par

Union Elbow

Part Number	Tube Size
PROBF2-23	5/8 in.
PROBF2-24	1/4 in.
PROBF2-25	3/8 in.
PROBF2-26	1/2 in.



Pro-Par

Female Connector

Part Number	Tube Size	Pipe Size
PROBF2-27	5/8 in.	1/2 in.
PROBF2-30	1/4 in.	1/4 in.
PROBF2-31	3/8 in.	1/4 in.



Pro-Par

Male Connector

Part Number	Tube Size	Pipe Size
PROBF2-36	5/8 in.	1/2 in.
PROBF2-37	5/8 in.	3/4 in.
PROBF2-39	5/8 in.	3/8 in.
PROBF2-46	1/4 in.	1/8 in.
PROBF2-47	1/4 in.	1/4 in.
PROBF2-49	1/4 in.	3/8 in.
PROBF2-52	3/8 in.	1/4 in.
PROBF2-53	3/8 in.	1/8 in.
PROBF2-55	3/8 in.	3/8 in.
PROBF2-57	3/8 in.	1/2 in.
PROBF2-60	1/2 in.	3/8 in.
PROBF2-61	1/2 in.	1/4 in.
PROBF2-63	1/2 in.	1/2 in.



Pro-Par

Nylon Tube Fittings

Male Elbow

Part Number	Tube Size	Pipe Size
PROBF2-66	5/8 in.	1/2 in.
PROBF2-69	5/8 in.	3/8 in.
PROBF2-76	1/4 in.	1/8 in.
PROBF2-77	1/4 in.	1/4 in.
PROBF2-79	1/4 in.	3/8 in.
PROBF2-82	3/8 in.	1/4 in.
PROBF2-83	3/8 in.	1/8 in.
PROBF2-85	3/8 in.	3/8 in.
PROBF2-87	3/8 in.	1/2 in.
PROBF2-89*	3/8 in.	1/4 in.
PROBF2-91	1/2 in.	3/8 in.
PROBF2-92	1/2 in.	1/4 in.
PROBF2-94	1/2 in.	1/2 in.



Pro-Par

*Part uses longer body than standard part.

Male Run Tee

Part Number	Tube Size	Pipe Size
PROBF2-112	3/8 in.	1/4 in.
PROBF2-113	3/8 in.	3/8 in.
PROBF2-116	1/2 in.	3/8 in.



Pro-Par

Male Branch Tee

Part Number	Tube Size	Pipe Size
PROBF2-126	1/4 in.	1/8 in.
PROBF2-127	1/4 in.	1/4 in.
PROBF2-131	3/8 in.	1/4 in.
PROBF2-134	3/8 in.	3/8 in.
PROBF2-137	1/2 in.	3/8 in.



Pro-Par

45° Elbow

Part Number	Tube Size	Pipe Size
PROBF2-146	5/8 in.	1/2 in.
PROBF2-147	5/8 in.	3/8 in.
PROBF2-152	1/4 in.	1/8 in.
PROBF2-153	1/4 in.	1/4 in.
PROBF2-156	3/8 in.	1/4 in.
PROBF2-159	3/8 in.	3/8 in.
PROBF2-162	3/8 in.	1/2 in.
PROBF2-164	1/2 in.	3/8 in.
PROBF2-165	1/2 in.	1/4 in.
PROBF2-167	1/2 in.	1/2 in.



Pro-Par



Nylon Tube Fittings

Drop-In Insert

Part Number	Tube Size
PROBF2-174	1/4 in.
PROBF2-177	3/8 in.
PROBF2-179	1/2 in.



Material: Steel

Pro-Par

Push-In Insert

Tube Size	
3/8 in.	PROBF2-178
1/2 in.	PROBF2-180



Pro-Par

Material: Brass

Push to Connect - Straight Union

Size	
1/4 in. x 1/4 in.	SMCKV2H07-00
1/4 in. x 3/8 in.	SMCKV2H07-11



(SMCKV2H07-00)



(SMCKV2H07-11)

SMC

Push to Connect - Tee Union

Size	
3/8 in. x 3/8 in. x 3/8 in.	SMCKV2T11-00



SMC

Push to Connect - 90° Male Elbow

Tube Size	Thread	
1/2 in.	3/8 in. - 18	SMCKV2L13-36S



SMC

Straight Union

Outer Diameter	
3/8 in.	SMCKV2H11-00



SMC

Push to Connect - Tee Branch

Size	
1/4 in. x 3/8 in. x 3/8 in.	SMCKV2T11-35S



SMC

Push-In Fitting, D.O.T.

Nylon Plug

Tube Outer Diameter	Part Number
1/4 in.	PROBF6-3
3/8 in.	PROBF6-4



Pro-Par

90° Union Elbow

Tube Outer Diameter	Part Number
1/4 in.	PROBF6-17
3/8 in.	PROBF6-18



Pro-Par

Tube Union

Part Number	Tube Outer Diameter
PROBF6-6	5/8 in.
PROBF6-7	5/32 in.
PROBF6-9	1/4 in.
PROBF6-10	3/8 in.
PROBF6-11	1/2 in.



Pro-Par

Union Tee

Part Number	Tube Outer Diameter
PROBF6-13	1/4 in.
PROBF6-14	3/8 in. x 3/8 in. x 1/4 in.
PROBF6-15	3/8 in.
PROBF6-16	1/2 in.



Pro-Par

Male Connector

Part Number	Tube Outer Diameter	Pipe Thread
PROBF6-27	5/8 in.	1/2 in.
PROBF6-32	1/4 in.	1/4 in.
PROBF6-33	1/4 in.	3/8 in.
PROBF6-34	1/4 in.	1/8 in.
PROBF6-35	3/8 in.	1/8 in.
PROBF6-36	3/8 in.	3/8 in.
PROBF6-37	3/8 in.	1/2 in.
PROBF6-38	3/8 in.	1/4 in.
PROBF6-39	1/2 in.	1/4 in.
PROBF6-40	1/2 in.	1/2 in.
PROBF6-41	1/2 in.	3/8 in.



Pro-Par



Push-In Fitting, D.O.T.

90° Male Elbow

Part Number	Tube Outer Diameter	Pipe Thread	Swivel
PROBF6-52	1/4 in.	1/4 in.	No
PROBF6-53	1/4 in.	1/4 in.	Yes
PROBF6-56	1/4 in.	1/8 in.	No
PROBF6-59	3/8 in.	1/8 in.	Yes
PROBF6-60	3/8 in.	3/8 in.	No
PROBF6-61	3/8 in.	3/8 in.	Yes
PROBF6-63	3/8 in.	1/2 in.	Yes
PROBF6-64	3/8 in.	1/4 in.	No
PROBF6-65	3/8 in.	1/4 in.	Yes
PROBF6-69	1/2 in.	1/2 in.	Yes
PROBF6-71	1/2 in.	3/8 in.	Yes



Pro-Par

Male Run Tee

Tube Outer Diameter	Pipe Thread	Part Number
3/8 in.	1/4 in.	PROBF6-85

Pro-Par



Male Branch Tee

Tube Outer Diameter	Pipe Thread	Part Number
1/4 in.	1/8 in.	PROBF6-92

Pro-Par



Swivel: Yes

45° Male Elbow

Part Number	Tube Outer Diameter	Pipe Thread	Swivel
PROBF6-118	3/8 in.	3/8 in.	No
PROBF6-121	3/8 in.	1/4 in.	No
PROBF6-122	3/8 in.	1/4 in.	Yes



Pro-Par

More Information

Pro-Par Air Fittings Catalog



For a complete list of available Pro-Par air fittings, see the Pro-Par Air Fittings Catalog part number PROBFCATALOG.

Air Systems

AIR

Fittings

Additional Fittings

Sleeve

Size
3/8 in. **FIT20-2**



Insert

Size
3/8 in. **FITFSP012-31001**



Quick-Fix®

Size
3/8 in. x 3/8 in. **HEB431402-12**



Quick-Fix®

Size
1/2 in. x 3/8 in. **HEB431408**



Flare x Male Pipe Connector

Tube Outer Diameter Pipe Size
5/8 in. 1/2 in. **PROBF8-183**



Union - Tube Both Ends

Tube Size Tube Size
3/8 in. 3/8 in. **PROBF11-17**



Male Hose End, Single Bead

Hose Inner Diameter Pipe Size
3/4 in. 1/2 in. **PROBF12-92**



TRAMEC
SLOAN

pro-par
100% SATISFACTION GUARANTEE

Angle Mount Gladhands

Gladhands

PHILIPS

TECTRAN

TRAMEC SLOAN

Haldex

37° Mounting

Economy	Configuration	
	Service	IMXGT-5317
	Emergency	IMXGT-5327

(IMXGT-5317) (IMXGT-5327)

3/8 in. - 18 NPTF ports with pipe plug

37-1/2° Mounting

Fruehauf	Configuration	
	Service	FRUACF6729-1
	Emergency	FRUACF6729-2

(FRUACF6729-1) (FRUACF6729-2)

3/8 in. - 18 NPTF ports/ A port plugged

38° Mounting

Phillips	Type	Mounting	Configuration	
	-	38°	Service	PHI12-136
	-	38°	Emergency	PHI12-138
QWIK-E®	38°	Service	PHI12-236	

(PHI12-136/PHI12-236) (PHI12-138)

3/8 in. - 18 Bottom Port

38° Mounting

Tectran	Configuration	
	Service	TEC9217S-A
	Emergency	TEC9216E-A

(TEC9217S-A) (TEC9216E-A)

Anodized

38° Mounting

	Configuration	Includes
TRA36161	Service	Pipe Plug
TRA36261	Emergency	Pipe Plug
TRAF36161	Service	Pipe Plug + Filter
TRAF36261	Emergency	Pipe Plug + Filter



3/8 in. ports

Tramec

4 in. Mounting Bracket

	Configuration	Port Size
MID11440	Service	3/8 in.
MID11441	Emergency	3/8 in.
MID11444	Service	1/2 in.
MID11445	Emergency	1/2 in.



Includes: Pipe Plug

Haldex

Air Systems

AIR

Gladhands



Aluminum Gladhands

Seal	Port	Configuration	
Rubber	1/2 in.	Universal	IMXGT-5330A
Rubber	1/2 in.	Emergency	IMXGT-5331A
Rubber	1/2 in.	Service	IMXGT-5332A

Economy



(IMXGT-5331A)



(IMXGT-5332A)

Body: Aluminum

Clasp: Steel

Port Size	Configuration	
1/2 in.	Service	TRA36101
1/2 in.	Emergency	TRA36201

Tramec



(TRA36101)



(TRA36201)

Finish: Plated

Configuration	
Emergency	MID11451
Service	MID11452

Haldex



(MID11451)



(MID11452)

Seal Style: Full Face
Dust Cover: No

Body: Aluminum
Face: Steel

Configuration	
Universal	PROGH5330A
Emergency	PROGH5331A
Service	PROGH5332A

Pro-Par



(PROGH5331A)



(PROGH5332A)

Body: Aluminum

	Configuration	Port Size	Type
PHI12-006	Service	1/2 in.	Straight Mount
PHI12-008	Emergency	1/2 in.	Straight Mount
PHI12-010	Universal	1/2 in.	Universal Straight Mount
PHI12-206	Universal	1/2 in.	Straight Mount
PHI12-0066	Service		Stainless Steel Connector Plate
PHI12-0086	Emergency		Stainless Steel Connector Plate



(PHI12-006)



(PHI12-008)



(PHI12-010)



(PHI12-206)



(PHI12-0066)



(PHI12-0086)

Phillips

Body: Aluminum

More Information


Gladhand Color

Gladhands are color-coded for your convenience. Red for Emergency, Blue for Service, and Gold for Universal.


Iron Gladhands

Seal	Configuration	
Rubber	Universal	IMXGT-5335
Rubber	Service	IMXGT-5337

Economy




(IMXGT-5335)




(IMXGT-5337)

Port Size	Configuration	
1/2 in.	Emergency	PROGH5336
1/2 in.	Service	PROGH5337

Pro-Par



(PROGH5336)



(PROGH5337)

Shut Off Gladhands

	Configuration	Style	Includes
IMXGT-5338	Emergency	-	-
IMXGT-5339	Service	-	-
IMXGT-5338S	Emergency	Sloan	Gasket
IMXGT-5339S	Service	Sloan	Gasket



Economy

	Configuration	Fitting/Port	Seal	Includes
SLO441001	Service	Tube 3/8 in.	Rubber	Gasket, Fitting
SLO441003	Service	Tube 1/2 in.	Rubber	Gasket, Fitting
SLO441004	Service	-	Rubber	Gasket
SLO441008	Emergency	Tube 3/8 in.	Rubber	Gasket, Fitting
SLO441014	Emergency	-	Rubber	-



Sloan

	Configuration	Tube / Pipe	Misc.
TRA36153	Service	3/8 in.	1 in. - 14 Mounting Stud w/ Tube Fitting
TRA36253	Emergency	3/8 in.	1 in. - 14 Mounting Stud w/ Tube Fitting
TRA36154	Service	1/2 in.	1 in. - 14 Mounting Stud w/ Tube Fitting
TRA36254	Emergency	1/2 in.	1 in. - 14 Mounting Stud w/ Tube Fitting



Tramec



Air Systems

AIR

Gladhands

Swivel Gladhands

45° Mount

Port Size	Configuration	
3/8 in. NPT	Service	PHI12-45061
3/8 in. NPT	Emergency	PHI12-45081

Phillips



(PHI12-45061)



(PHI12-45081)

45° Mount

Mounting	Configuration	
45°	Emergency	PROGH5336-45
45°	Service	PROGH5337-45

Pro-Par



(PROGH5336-45)



(PROGH5337-45)

	Configuration	Mounting	Material	Additional
PHI12-1366	Service	38°		Stainless Steel Plate
PHI12-4506	Service	45°		
PHI12-4508	Emergency	45°		
PHI12-4906	Service	90°	Iron	STA-LOCK™
PHI12-4908	Emergency	90°	Iron	STA-LOCK™
PHI12-64261-38	Service			
PHI12-64081-38	Emergency			



(PHI12-1366)



(PHI12-4506)



(PHI12-4508)



(PHI12-4906)



(PHI12-4908)



(PHI12-64261-38)



(PHI12-64081-38)

Phillips

	Configuration	Seal	Material	Additional	Includes
SLO441102	Service	Black Poly	Aluminum	Back Port Air Hookup	Gasket
SLO441103	Emergency	Black Poly	Aluminum	Back Port Air Hookup	Gasket
SLO441105	Emergency	Red Poly	Aluminum	Back Port Air Hookup	Gasket
SLO441154	Service	Blue Poly	Iron	Both Ports Open	Gasket
SLO441155	Emergency	Red Poly	Iron	Both Ports Open	Gasket



(SLO441102 / SLO441103)



(SLO441105)



(SLO441155 / SLO441154)

Sloan

Gladhands

PHILIPS

pro-par

TRAMEC SLOAN

DESIGNED TO PERFORM.

Trusted by OEMs to keep you on the road, Tramec Sloan designs and manufactures high-quality products right here in the U.S. Our equipment stands up to the threat of corrosion, extreme weather, and the everyday challenges of the road.



OVER 40 YEARS OF U.S. MANUFACTURING

At Tramec Sloan, we take pride in the company's dedication to **U.S. manufacturing**. We know that manufacturing here creates products of a higher quality while supporting our local communities.

Each year at our 3 manufacturing plants, we utilize more than **20 Million Feet of Rubber Hose** and over **9 Million Pounds of Brass** to create our hose assemblies and fittings.

TRAMECSLOAN.COM



1.800.336.7778

Air Systems

AIR

Gladhands

TRAMEC
SLOAN

Hallex

PRO-PAR

PHILLIPS

Swivel Gladhands

	Configuration	Mounting	Gladhand	Additional
TRA36131	Service		Iron	
TRA36231	Emergency		Iron	
TRA36181	Service	45°	Aluminum	Bottom Port
TRA36281	Emergency	45°	Aluminum	Bottom Port
TRA36191	Service	90°	Aluminum	Bottom Port
TRA36291	Emergency	90°	Aluminum	Bottom Port



(TRA36131)



(TRA36231)



(TRA36181 / TRA36281)



(TRA36291 / TRA36191)

Tramec

Dummy Gladhands

Length	Cable	Material	
-	Yes	Aluminum	MID11400

Hallex



Chain	Vent Hole	Material	
Yes	No	Zinc	MID11402

Hallex



Length	Cable	Material	
16 in.	Yes	Aluminum	PHI12-0100

Phillips



Length	Cable	Material	
15 in.	Yes	Aluminum	PROGH5345

Pro-Par



Length	Cable	Material	
-	Yes	Iron	TEC10101ZFX

Tectran

Hex Handle



Length	Cable	Material	
n/a	No	Aluminum	TRA36400

Tramec



Gladhand Seals

Polyurethane

	Color	Filter	Type
AIRGHS-2005R	Red	Yes	
AIRGHS-2005B	Blue	Yes	
IMXGT-2601	Red	No	Small Face
IMXGT-2602	Blue	No	Small Face
IMXGT-2603	Black	No	Small Face
IMXGT-2606	Red	No	Large Face
IMXGT-2607	Blue	No	Large Face
IMXGT-2608	Black	No	Large Face
MID10024	Black	-	Protect-O
MID10028	Black	-	Double Lip
PHI12-0163	Black	No	
PHI12-0167	Black	No	Dust Flap, 25 per bag
TRAGH5500	Blue	Yes	
TRAGH6600	Red	Yes	
TEC101117B	Blue	Yes	
TEC101117R	Red	Yes	
SLO441737	Red	No	
SLO441738	Blue	No	
SLO441739	Black	No	



Rubber

	Type	Cross Reference
IMXGT-2599	Single Lip	Tramec# 36003 / Tectran# 10112
IMXGT-2600	Double Lip	Tramec# 36001 / Tectran# 10111
IMXGT-2604	Protecto	Tectran# 10113
PHI12-012	Tapered Wide Lip	
TRA36001	Double Lip	



Gladhands

PHILIPS

TECTRAN

TRAMEC SLOAN

Haldex

Air Systems

AIR

Gladhands

Gladhand Accessories

Economy



Pacifier
IMXGT-2610

Material: Plastic
2-piece nylon strap

Sloan



Pacifier
SLO441721

2-piece nylon strap

Economy



Standard Gladhandles[®]
IMXGT-5340

Packaged
1/2 in. NPTF male connect to gladhand
1/2 in. NPTF female connect to air coil

Economy



Xtreme Gladhandles[®]
IMXGT-5341

Packaged
1/2 in. NPTF male connect to gladhand
1/2 in. NPTF female connect to air coil

Phillips



Gladhand Extensions
PHI12-600

Heavy diamond knurl grip

Economy



Filter Screen
IMXGT-5320

Cross Ref: Tectran# 610035

Material: Stainless

Phillips



Filter Screen
PHI12-038

Fits: PHI12-006, PHI12-008, PHI12-010,
PHI12-136, PHI12-138
Canada Approved

Pro-Par



Pipe Nipple
PROGH1136902662

Material: Steel
Size: 1/2 in. Hex

TRAMEC
SLOAN

pro-par

PHILLIPS

Gladhand Accessories

Gladhands

Bracket
PROGH209-313-12




Pro-Par

Material: Stainless Steel

Hook Bracket

Location	
Left Hand	PROGH209-371
Right Hand	PROGH209-372



Pro-Par

Material: Stainless Steel

"Y" Pipe

Type	Pipe Size	
Female	1/2 in.	PROGH7422D




Pro-Par

Material: Galvanized Steel

Pipe Plug

Pipe Size	
1/2 in.	PROGH7561



Pro-Par

Material: Galvanized Steel

45° Swivel Mount
TRA36380



Tramec

Bottom Port

90° Swivel Mount
TRA36390



Tramec

Bottom Port

STOW-A-WAY™ Holder
PHI15-042



Phillips

2 Plug, 2 Gladhand

Gladhand Holder
SLO441731



Sloan

Stamped Steel



Air Systems

AIR

Gladhand Accessories

Gladhands

Bracket Assembly

Hose Color	
Blue	TEC925BZ99FX
Red	TEC925RZ99FX

Tectran



Length: 20 in.

Docker for Gladhands

TRA34211

Tramec



No Mounting Hardware

45° Swivel Fitting

Tubing Outer Diameter	
3/8 in.	TRA55286
1/2 in.	TRA55287

Tramec



Material: Brass

Gladhand Plate

WAB04S02035

Wabash



TRAMEC
SLOAN

TECTRAN
AIR SYSTEMS

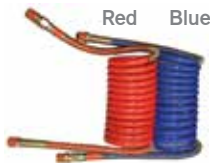
PHILIPS

WABASH

Coiled Air Hoses

15 ft. Working Length - 12 in. Lead

	Type	For	Color	Fittings
PHI11-715	Standard	Set	(1) Red, (1) Blue	1 Fixed / 1 Swivel
PHI11-315	Heavy Duty	Set	(1) Red, (1) Blue	1 Fixed / 1 Swivel
PROAL1512S	Standard	Set	(1) Red, (1) Blue	-
PHI11-317	Heavy Duty	Emergency	Red	1 Fixed / 1 Swivel
PROAL1512R	Standard	Emergency	Red	-
PROAL1512B	Standard	Service	Blue	-



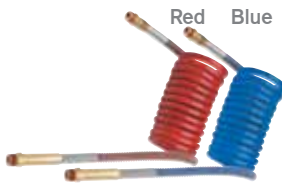
Set
Red (PHI11-715/
PHI11-717/
Blue PHI11-718)



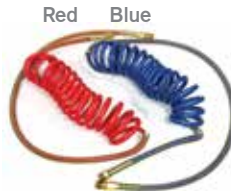
(PROAL1512S/
PROAL1512R
PROAL1512B)

15 ft. Working Length - 40 in. Lead

	Type	For	Color	Fittings
PHT6001540CBR	Stallion	Set	(1) Red, (1) Blue	-
PROAL1540S	Standard	Set	(1) Red, (1) Blue	1 Fixed / 1 Swivel
PHI11-3400	-	Set	(1) Red, (1) Blue	-
PHI11-338	Heavy Duty	Emergency	Red	1 Fixed / 1 Swivel
PROAL1540R	Standard	Emergency	Red	1 Fixed / 1 Swivel
PROAL1540B	Standard	Service	Blue	1 Fixed / 1 Swivel



(PHI11-3400)



(PROAL1540S/
PROAL1540R
PROAL1540B)



(PHT6001540CBR)

Straight - 15 ft. Working Length

Grip Color	For	
(1) Red, (1) Blue	Set	PHI11-8115
Red	Emergency	PHI11-8117
Blue	Service	PHI11-8118



Lead: 12 in.
Rubber; Large Grip Handles

Phillips

Sliding Fifth Wheel

Color	Length	
Black	60 in.	PHI11-302



1/4 in. swivel & coil protector

Phillips

Air Systems

AIR

Hoses

Bulk Reinforced Nylon Tubing

	Outer Diameter	Color	Length
AIR1-10	0.25 in.	Black	100 ft.
AIR1-24	0.38 in.	Black	100 ft.
AIR1-26	0.38 in.	Black	500 ft.
PHI11-262	0.38 in.	Black	250 ft.
AIR1-29	0.38 in.	Blue	100 ft.
AIR1-30	0.38 in.	Blue	500 ft.
AIR1-33	0.38 in.	Red	100 ft.
AIR1-35	0.38 in.	Red	500 ft.
AIR1-38	0.50 in.	Black	100 ft.
AIR1-4	0.50 in.	Black	500 ft.
AIR1-42	0.50 in.	Blue	100 ft.
AIR1-47	0.50 in.	Red	100 ft.
AIR1-49	0.50 in.	Red	500 ft.
AIR1-39	0.62 in.	Black	50 ft.
AIR1-52	0.62 in.	Black	250 ft.
AIR1-45	0.75 in.	Black	50 ft.



(AIR1-38)



(AIR1-42)



(AIR1-47)

Bulk Rubber Air Hose

	Inner Diameter	Length
AIR4821-06451	0.38 in.	50 ft.
AIR4821-06498	0.38 in.	250 ft.
TRA31002	0.38 in.	250 ft.
AIR4821-08451	0.50 in.	50 ft.
AIR4821-08498	0.50 in.	250 ft.
TRA31005	0.50 in.	250 ft.



(AIR4821-08451)

Rubber Air Hose Assemblies

Repair Kit 3/8 in. ID

Color	
Blue	AIR262060-20BKIT
Red	AIR262060-20RKIT



Repair Kit 3/8 in. ID

Color	
Blue	AIR262080-20BKIT
Red	AIR262080-20RKIT



TRAMEC
SLOAN

PHILIPS

Rubber Air Hose Assemblies

**Repair Kit 3/8 in. ID
TRA31540-180**



Hoses with Gladhand Grips - 3/8 in. ID Hoses,
1/2 in. Swivel Fitting

**3/8 in. ID
TRA262288-120S**



3/8 in. Inner Diameter

	Length	Color	End Fittings
AIR262060-20B	20 in.	Blue	3/8 in. Fixed - Fixed
AIR262060-20R	20 in.	Red	3/8 in. Fixed - Fixed
AIR262080-20B	20 in.	Blue	1/2 in. Fixed - Fixed
AIR262080-20R	20 in.	Red	1/2 in. Fixed - Fixed
PROBH3838F20	20 in.	Black	3/8 in. Fixed - Swivel
IMXGTA-3838S24	24 in.	Black	3/8 in. Swivel - Swivel
PROBH3838F24	24 in.	Black	3/8 in. Fixed - Swivel
PROBH3838S24	24 in.	Black	3/8 in. Swivel - Swivel
PROBH3838F28	28 in.	Black	3/8 in. Fixed - Swivel
PROBH3838F30	30 in.	Black	3/8 in. Fixed - Swivel
PROBH3838S30	30 in.	Black	3/8 in. Swivel - Swivel
PROBH3838S32	32 in.	Black	3/8 in. Swivel - Swivel
AIR262288-36BVS	36 in.	Blue	3/8 in. Fixed - Fixed
AIR262288-36RVS	36 in.	Red	3/8 in. Fixed - Fixed
PROBH3838F36	36 in.	Black	3/8 in. Fixed - Swivel
PROBH3838S36	36 in.	Black	3/8 in. Swivel - Swivel
AIR262288-44BVS	44 in.	Blue	1/2 in. Fixed - Fixed
AIR262288-44RVS	44 in.	Red	1/2 in. Fixed - Fixed
PROBH3838S40	40 in.	Black	3/8 in. Swivel - Swivel
PROBH3838F44	44 in.	Black	3/8 in. Fixed - Swivel
IMXGTA-3838S48	48 in.	Black	3/8 in. Swivel - Swivel
PROBH3838S48	48 in.	Black	3/8 in. Swivel - Swivel
AIR262288-60BVS	60 in.	Blue	1/2 in. Fixed - Fixed
AIR262288-60RVS	60 in.	Red	1/2 in. Fixed - Fixed
PROBH3838S60	60 in.	Black	3/8 in. Swivel - Swivel
AIR262288-72BVS	72 in.	Blue	1/2 in. Swivel - Swivel
AIR262288-72RVS	72 in.	Red	1/2 in. Swivel - Swivel
AIRPS12138-072	72 in.	Black	1/2 in. Swivel - Swivel
TRA460144	144 in.	Black	3/8 in. Fixed - Fixed
AIR262288-156S	156 in.	Black	3/8 in. Fixed - Fixed



(AIR262288-72BVS)



(PROBH3838S30)



Air Systems

Rubber Air Hose Assemblies

Hoses

1/2 in. Inner Diameter

	Length	End Fittings
PROBH1238F16	16 in.	1/2 in. Fixed - Swivel
PROBH1238S18	18 in.	3/8 in. Swivel - Swivel
PROBH1238F20	20 in.	3/8 in. Fixed - Swivel
PROBH1238S20	20 in.	3/8 in. Swivel - Swivel
PROBH1238S22	22 in.	3/8 in. Swivel - Swivel
PROBH1238F24	24 in.	3/8 in. Fixed - Swivel
PROBH1238S24	24 in.	3/8 in. Swivel - Swivel
PROBH1238S26	26 in.	3/8 in. Swivel - Swivel
HEBSTD1238-27	27 in.	3/8 in. Fixed - Swivel
PROBH1238F28	28 in.	3/8 in. Fixed - Swivel
PROBH1238S28	28 in.	3/8 in. Swivel - Swivel
PROBH1238F30	30 in.	3/8 in. Fixed - Swivel
PROBH1238S30	30 in.	3/8 in. Swivel - Swivel
PROBH1238F32	32 in.	3/8 in. Fixed - Swivel
PROBH1238S32	32 in.	3/8 in. Swivel - Swivel
PROBH1238S34	34 in.	3/8 in. Swivel - Swivel
PROBH1238F36	36 in.	3/8 in. Fixed - Swivel
PROBH1238S36	36 in.	3/8 in. Swivel - Swivel
PROBH1238S38	38 in.	3/8 in. Swivel - Swivel
PROBH1238S40	40 in.	3/8 in. Swivel - Swivel
PROBH1238F42	42 in.	3/8 in. Fixed - Swivel
PROBH1238S42	42 in.	3/8 in. Swivel - Swivel
PROBH1238F44	44 in.	3/8 in. Fixed - Swivel
PROBH1238S44	44 in.	3/8 in. Swivel - Swivel
PROBH1238F46	46 in.	3/8 in. Fixed - Swivel
PROBH1238S46	46 in.	3/8 in. Swivel - Swivel
PROBH1238F48	48 in.	3/8 in. Fixed - Swivel
PROBH1238S48	48 in.	3/8 in. Swivel - Swivel
PROBH1238F54	54 in.	3/8 in. Fixed - Swivel
PROBH1238S54	54 in.	3/8 in. Swivel - Swivel
PROBH1238S56	56 in.	3/8 in. Swivel - Swivel
PROBH1238F60	60 in.	3/8 in. Fixed - Swivel
PROBH1238S60	60 in.	3/8 in. Swivel - Swivel
PROBH1238F72	72 in.	3/8 in. Fixed - Swivel
PROBH1238S72	72 in.	3/8 in. Swivel - Swivel



(HEBSTD1238-27)



(PROBH1238F36)



Quick Reference

Pro-Par Air Brake Connector w/ Spring Guard

Part Number	Hose Size	Pipe Size
PROBF4-14	1/2 in.	1/2 in.
PROBF4-16	1/2 in.	3/8 in.
PROBF4-18	3/8 in.	1/2 in.

Part Number	Hose Size	Pipe Size
PROBF4-20	3/8 in.	1/4 in.
PROBF4-22	3/8 in.	3/8 in.



Slider Hose Assemblies

Rubber Slider Hose Assemblies

	ID	Length	End Fittings	Additional
AIR346600-112S	1/4 in.	112 in.		Spring Guard
TRA32801-124	1/4 in.	124 in.	7/8 in. Anchor Fit	
FRUACE9169-17	3/8 in.	108 in.	1/2 in. Tube - 1/2 in. Tube Bulkhead	
FRUACE9169-18	3/8 in.	108 in.	3/8 in. Tube - 3/8 in. Tube Bulkhead	
TRA32201-108	3/8 in.	108 in.	3/8 in. Tube Bulkhead	Spring Guard
TRA32202-108	3/8 in.	108 in.	7/8 in. Anchor Fit	
FRUACE5946-6	3/8 in.	111 in.	3/8 in. Tube Bulkhead	
TRA32319-112	3/8 in.	112 in.	3/8 in. Tube Bulkhead	
FRUACE5946-7	3/8 in.	120 in.	3/8 in. Tube - 3/8 in. Tube Bulkhead	
TRA32319-122	3/8 in.	122 in.	3/8 in. Tube Bulkhead	
FRUACE5946-8	3/8 in.	123 in.	3/8 in. Tube - 3/8 in. Tube Bulkhead	
TRA32319-124	3/8 in.	124 in.	3/8 in. Tube Bulkhead	
TRA32801-124	1/4 in.	124 in.	3/8 in. Tube Bulkhead	Spring Guard
AIR366600-150	3/8 in.	150 in.	3/8 in. Tube Bulkhead	
TRA32202-108	1/2 in.	108 in.	1/2 in. Tube Bulkhead Fittings	Spring Guard
FRUACE5946-3	1/2 in.	120 in.	1/2 in. Nylon	
FRUACE9169-16	1/2 in.	135 in.	3/8 in. Nylon	



(AIR366600-150)



(TRA32201-108)

Hose Springs

	Diameter	Length
PHI17-111	3/4 in.	11 in.
MID1 1602	1 in.	12-43/64 in.
IMXGT-5002	1 in.	13 in.
TRA34015	1 in.	13 in.
PHI17-116	1 in.	16 in.
IMXGT-5003	1 in.	16 in.
PHI17-120	1 in.	20 in.
IMXGT-5004	1 in.	25 in.
PHI17-125	1 in.	25 in.
MID1 1603	1-5/64 in.	15 in.
MID1 1600	1-1/8 in.	25-3/32 in.
FRUACF9624-2	Kit	15 in. - Frame Mount
IMXGT-5375	Kit	20 in.
PHI17-148	Kit	20 in.
PHI17-1488HD	Kit	20-1/2 in.
AIR09-022-022A	Large OD	9 in.



(IMXGT-5002)



(PHI17-111)



(FRUACF9624-2)



(IMXGT-5375)



(PHI17-148)

Hose Separators

Bolt-On

2 Hole

	Hole Size	Additional
IMXGT-5001-2	3/8 in.	
MID11541	3/8 in.	Rubberized
TRA34268	3/8 in.	
PHI17-156	3/4 in.	
TRA34269	1/2 in.	



3 Hole

	Hole Size	Additional
MID11543	3/8 in.	
MID11544	3/8 in.	Rubberized
TRA34213	3/8 in.	+ Pogo Stud
MID11546	3/8 in. - 1/2 in.	
PHI17-153	3/8 in. - 1/2 in.	QWIK-SNAP™
IMXGT-5001	3/4 in.	
PHI17-157	3/4 in. Hole Size	



4 Hole PHI17-158



Holes: (2) 27/32 in. & (2) 39/64 in.

Phillips

Haldex

TRAMEC
SLOAN

PHILIPS

Hose Separators

Snap-On

	Hose Size
IMXGT-5500-38	3/8 in.
MID1 1548	3/8 in.
TRA34020	3/8 in.
TRA34150	3/8 in. & 1/4 in.
FRUACE6500	3/8 in. & 1/2 in.
TRA34022	3/8 in. & 1/2 in.
FRUACE6477-1	1/2 in.
MID1 1549	1/2 in.
PHI17-155	1/2 in.
TRA34021	1/2 in.
PHI17-152	Adjustable Qwik-Snap™



(IMXGT-5500-38)



(TRA34020/
TRA34021)



(MID11548)



(TRA34150/
TRA34022)



(PHI17-152)



(PHI17-155)



(FRUACE6500)



(FRUACE6477-1)



(MID11549)

Pogo Sticks

	Length	Finish
IMXGT-5370	40 in.	Zinc
IMXGT-5371	40 in.	Chrome
IMXGT-5372	40 in.	Black Powder Coat
PHI17-0400	40 in.	Chrome
PHI17-0401	40 in.	Gold Chromate



(PHI17-0400/
PHI17-0401)

(IMXGT-5370 /
IMXGT-5371 /
IMXGT-5372)

Snap-On Clip

	Size
CLP10-01	4 in.
PHI17-160	4 in.
PHI17-163	2-3/8 in.



(PHI17-160/
PHI17-163)



(CLP10-01)

For Tracker Bar & Pogo Stick

Air Systems

AIR

Hose Accessories

Hoses

Slider Spring with Tandem Frame Clip
PHI17-103



Phillips

Length: 3 in. x 3/4 in.

Hose Hanger Clip
CLP09-019-004A



PHILIPS

Beam Clip

Type	Part Number
Clip Only	CLP03-068-040
Assembly	CLP09-17-020A



(CLP09-017-020A)

Base Pipe Clamp
WAB21200029



WABASH

Wabash

Tube Clamp
CLP23-024-015



Size: 3/4 in.
Material: Galvanized Steel Vinyl Coated

HalDEX

HalDEX

Sensor Wire Retaining Hose Clip
MIDAL920809



TRAMEC
SLOAN

Tramec

Hose Clip
MIDA902701



HalDEX

MAXXClamp Twist
TRA451169



For 3/8 in. Hoses

Hoses

Tire Inflation Components

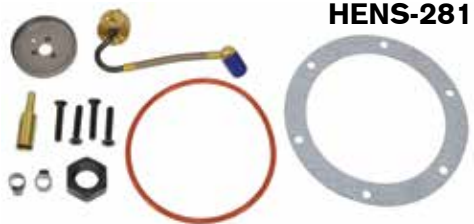
Tire Inflation Components

Tee Fitting Guard
HENVS-27890



Hendrickson


Hendrickson Rotary Union Retro Kit
HP & HUS/ P90 Spindle Plug
HENS-28193



Hendrickson

Includes: rotary union assembly, 2.75 in. spindle plug, two hose clamps, four machine screws, HP hubcap gasket, HUS/P90 hubcap o-ring & hose end adapter

Rotary Union Retro Kit, No Spindle Plug
HENS-28622

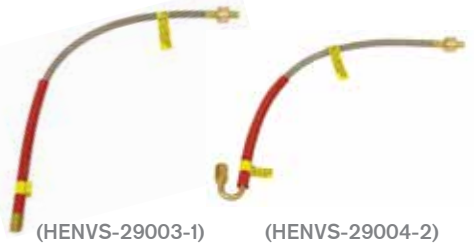


Hendrickson

Includes: rotary union assembly, two hose clamps, four machine screws, & hose end adapter

TIREMAAX Hose

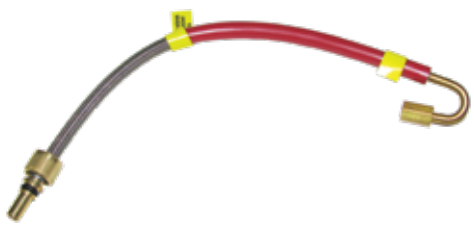
Length	Type	
16-39/64 in.	Straight	HENVS-29003-1
15 in.	180° Svc. Pt.	HENVS-29004-2



Hendrickson

(HENVS-29003-1) (HENVS-29004-2)


TIREMAAX Hose Assembly
HENVS-29004-1



Hendrickson

Type: 180° Svc. Pt.


Axle Tube Hose
HENVS-29094-1



Hendrickson

Intraax / Vantraxx For Inflation System

Check Tee Fitting
HENVS-29854



Hendrickson

Tiremaxx, Dual Tire

TIREMAAX Wheel Kit
HENVS-30002



Hendrickson

90 Degree Elbow Fitting for Single Tires

Tire Inflation Components

Hendrickson

Tire Hose Assemblies

	Fitting	Type
HENVS-31503-1	Straight	Stainless Steel
HENVS-31503-2	Straight	Stainless Steel
HENVS-31503-3	Straight	Stainless Steel
HENVS-31504-1	180°	Stainless Steel
HENVS-31504-2	180°	Stainless Steel
HENVS-33767-1	Straight	Thermoplastic
HENVS-33767-5	Straight	Thermoplastic
HENVS-33769-1	180°	Thermoplastic



**IMPROVE YOUR
BOTTOM LINE**

TIREMAAX® PRO

Advanced tire pressure control system inflates low tires, relieves over-inflated tires and equalizes pressure across all wheel positions – saving you money at every turn. Watch your savings add up when you spec TIREMAAX® PRO. *Engineered for Efficiency™*

HENDRICKSON
www.TIREMAAX.com

Tire Inflation Components

Tire Inflation Components

Hendrickson

Pro Controller Assembly
HENVS-32074-100

Hendrickson



Programmed

Pro Controller Assembly
HENVS-32074-105

Hendrickson



Programmed

ABS Junction Harness
HENVS-30270

Hendrickson



3-Way Connection
Length: 15 ft.

TIREMAXX Pro Axle Hose
HENVS-32087-1

Hendrickson



Length: 27-3/8 in.

Lid Assembly
HENVS-34953

Hendrickson



7 x 5 x 3

HENDRICKSON

Quick Reference
Hendrickson Hubcaps

Part Number	Type	For	Style
HENVS-32055-1	HN	Oil	PRO hubcap
HENVS-32056-1	HP		
HENVS-32056-3	HP	Grease	
HENVS-32070-1	HP	Oil	CP Integrated hubcap
HENVS-32070-3	HP	Grease	



Tire Inflation Components

Tire Inflation Components

Meritor

Pressure Protection Valve
MTR31023-01



Meritor

MTIS Control Box

MTIS Control Box Assembly
MTR31082-00-85



Meritor

Assembly w/Internal Components - 85 PSI

Pressure Regulator Valve
MTR31083-02



Meritor

MTIS Control Box

Flow Sensing Switch
MTR31084-10



Meritor

MTIS Control Box Assembly
MTR31082-00



Meritor

MTIS Empty Control Box

Type	MTR31083-01
Replacement Lid	MTR31083-28



Meritor

Control Box Shut Off Valve
MTR31083-09



Meritor

MTIS Control Box

In Line Filter
MTR31103-00



Meritor

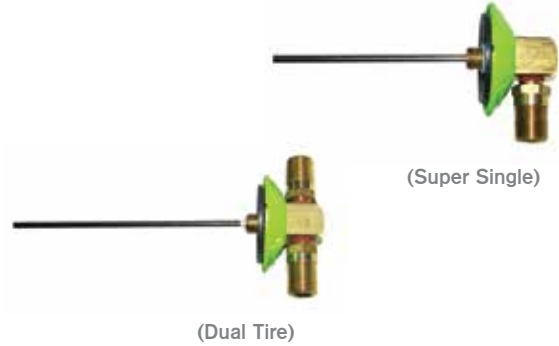


Tire Inflation Components

Meritor

Thru-Tee Assemblies

Part Number	Length	Application
MTR31317-00	4 in.	Dual Tire
MTR31317-03	3-1/2 in.	Dual Tire
MTR31317-03-S	3-1/2 in.	Super Single Tire
MTR31317-04	5 in.	Dual Tire
MTR31317-04-S	5 in.	Super Single Tire



Meritor

Bulkhead / Check Valve MTR31114-00



Meritor

MTIS Control Box

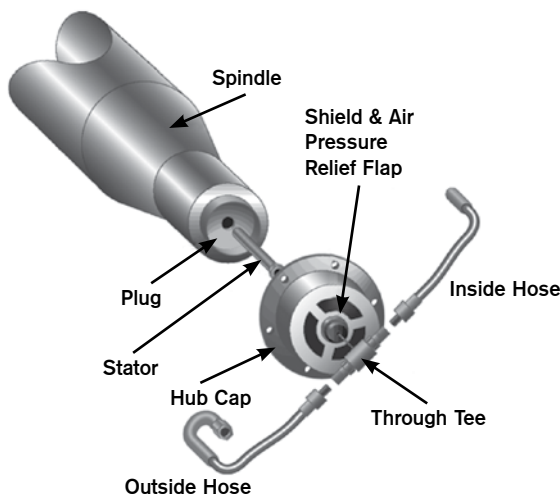
O-Ring MTR31313-29-M



Meritor

Color: Blue
For Thru-Tee

Tech Tip Identification



Meritor P.S.I. Tire Inflation System

Part Number	Description
MTR31314-21	Stator & Filter
MTR31317-03	3-1/2 in. Thru-Tee
MTR3131604	6 in. Thru-Tee
MTR31363-00	Short Flex Hose
MTR31427-00	6 Hole PSI Ready Hubcap with Plug, Clear Window with Gasket
MTR31426-00	6 Hole PSI Ready Hubcap Gray Window

Air Systems

AIR

Tire Inflation Components

Tire Inflation Components

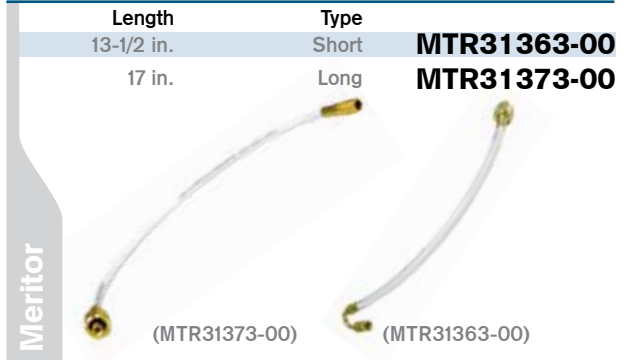
Meritor

**Stator and Filter
MTR31314-21**

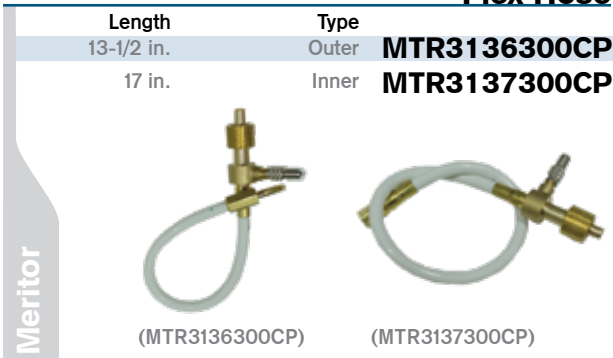


1/4 in. NPT; Threads into Spindle Plug

Flex Hose



Flex Hose



**Retro Kit MTIS
MTR31965-22**



TN/TQ/HN, 2 Axle, No cap

**Press Plug
MTR32184-01**



**Press Plug Kit
MTR32184-01A**



Size: 2-3/4 in.
TP, TB, WP, HP

**Press Plug Kit
MTR32202-01A**



Size: 1-3/4 in.
TN, TQ, HN

**Thermalert Press Plug Kit
MTRH218401**



Includes: Thermal Plug
TP, WP, HP



Tire Inflation Components

Tire Inflation Components

Meritor

Bulkhead Fitting
MTR31084-01

Meritor



ThermALERT Thermal Plug Kit
MTRH2200-02

Meritor



Tire Inflation System Light
Rectangle

Type	Color	
Lamp	Clear	MTR31263-14



Pressure Guard
Braided Flex PSI

Length	Type	
11.00 in.	Short	PRG37001
14.00 in.	Long	PRG37000

Pressure Guard



Wabash

ABS/PSI Harness
WAB14402619

Wabash



*Indicates a Remanufactured Product

Brake Valves

Full Function Valves

FF2

	Supply	Delivery	Control	Tank
MIDKN28600	3/8 in.	3/8 in.	1/4 in.	3/4 in.
MIDKN28601	3/8 in.	3/8 in.	1/4 in.	1/2 in.

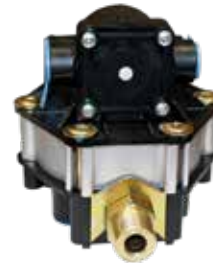


Service Brake Priority
Combines PPV, One-way, Check Valves, Spring Brake and Relay Valve

Haldex

FF2

	Supply	Delivery	Control	Tank
PROVA-28600	3/8 in.	3/8 in.	1/4 in.	3/4 in.
PROVA-28601	3/8 in.	3/8 in.	1/4 in.	1/2 in.



Service Brake Priority
Combines PPV, One-way, Check Valves, Spring Brake and Relay Valve

Pro-Par

Quick Release Valves

QR-1

Crack Pressure	Supply	Delivery	
0 PSI	3/8 in.	3/8 in.	BEN229859



Bendix

QR-L Inline BEN800333



Bendix

Supply & Delivery Ports: 1/2 in.
Direct Mount

QRN

BENK049777



Bendix

Supply & Delivery Ports: 3/8 in.
Crack Pressure: 0 PSI

QR-1

BENOR229859X[^]



Bendix

Supply: 3/8 in. Delivery: 3/8 in.



*Indicates a Remanufactured Product

Brake Valves

AIR
Valves

Quick Release Valves

Quick Draw Valve
HENVS-25224

Hendrickson



3-way; With Fittings
Auto Reset

MIDKN32005

Haldex



Ports: 3/8 in. Crack Pressure: 0 PSI
Composite Material

MIDKN32011

Haldex



Inlet: 1/2 in. Outlet: 3/8 in.
Crack Pressure: 0 PSI; Composite Material

MIDKN32013

Haldex



Inlet: 1/2 in. Outlet: 3/8 in.
Crack Pressure: 0 PSI; Composite Material
with Cover

MIDKN32041

Haldex



Inlet: 1/4 in.(2) Outlet: 3/8 in. (2)
Two-Way Check with Bracket

QR-1
Crack Pressure 0 PSI Supply Delivery 3/8 in. 3/8 in. **PROVA-229859**

Pro-Par



QR-1C

Pro-Par



Inlet: 1/2 in. Outlet: 3/8 in.
Crack Pressure: 0 PSI; Composite Material

Pro-Par



Supply: 1/4 in. Delivery: 3/8 in. (2)
Crack Pressure: 0 PSI

PROVA-229860

PROVA-289714

*Indicates a Remanufactured Product

Brake Valves

Quick Release Valves

Sealco



SEA2000D

Inlet: 1/2 in. Outlet: 3/8 in.
Crack Pressure: 0-1 PSI

Tramec



TRA51103

Ports: 3/8 in. Crack Pressure: 0 PSI

Tramec



TRA51107

Ports: 3/8 in. Crack Pressure: 0 PSI

Relay Valves

R-12 Pilot

Supply	Delivery	Type	
1/2 in.	3/8 in.	Horizontal	BEN065476
1/2 in.	3/8 in.	Horizontal	BENOR109264X[^]

Bendix



Includes: Bracket

Relay Valves

Bendix

Crack	Port	Type	
4 PSI	3/8 in.	Vertical	BEN102626
4 PSI	3/8 in.	Vertical	BENOR102626X[^]

R-12



Includes: Bracket

Bendix

SV-4 Trailer Valve

BEN108769



Breather: 1 in. HEX
Supply: 1/4 in. Delivery: 1/4 in.

Tech Tip

Relay Valves

Relay Valves are used in air brake systems to remotely control the brakes at the rear of a vehicle. They are used in order to speed-up brake application and release since air takes longer to travel to the rear of the vehicle.



*Indicates a Remanufactured Product

Brake Valves

AIR
Valves

Relay Valves

R-12
BENR12



Bendix

Supply: 1/2 in. Delivery: 3/8 in, Crack Pressure: 4 PSI, Vertical
Includes: Bracket

R-11
MID109264RX*



Haldex

R-8P
MIDKN28300



Haldex

Supply: 1/2 in. Delivery: 1/2 in. Control: 3/8 in.
Differential Pressure: 0 PSI
Dolly, Long Trailer; Fast Air and Balancing

RG2
MIDKN28510



Haldex

Supply: 3/8 in., 1/2 in. Delivery: 3/8 in.
Control: 1/4 in. Crack Pressure: 5.6 PSI
2-Port Trailer Valve

R-12
PROVA-065104



Pro-Par

Supply: 1/2 in. Delivery: 3/8 in, Crack Pressure: 4 PSI, Vertical
Includes: Bracket

Bobtail Brake Proportioning
PROVA-065145



Pro-Par

Bobtail Brake Proportioning
PROVA-065146



Pro-Par

Non-ABS Service Relay Valve R12
PROVA-102626



Pro-Par

Vertical Ports
1/2 in. E Port



Brake Valves

Relay Valves

R-12
PROVA-103009



Pro-Par

Crack	Supply	Delivery	R-14
4 PSI	3/4 in.	1/2 in.	PROVA-103010



Pro-Par

Type: Horizontal

R-12
PROVA-103028



Pro-Par

Non-ABS Service
PROVA-110139



Pro-Par

Supply: 3/8 in. Delivery: 3/8 in.(2) Control: 3/8 in.
Tank: 3/4 in. Crack Pressure: 4.5 PSI
1 Valve to Control 2 Axles


Service
PROVA-110197



Pro-Par

Delivery: 3/8 in. Control: 3/8 in. Tank: 1/2 in.
Crack Pressure: 4 PSI


Emergency
PROVA-110200



Pro-Par

Supply: 1/4 in. Delivery: 3/8 in.(4) Control: 1/4 in.
Tank: 3/4 in. Crack Pressure: 4.5 PSI
Charging Style


Service
PROVA-110410



Pro-Par

Delivery: 3/8 in.(2) Control: 3/8 in. Tank: 1/2 in.
Crack Pressure: 1.5 PSI; Nipple Mount
Non-ABS

Service
PROVA-110415



Pro-Par

Delivery: 3/8 in.(4) Control: 3/8 in. Tank: 3/4 in.
Crack Pressure: 4.0 PSI; Nipple Mount
Non-ABS



Brake Valves

Valves

Pro-Par



Service
PROVA-12352

For use on pre-121 trailers (pre-1974)
Crack Pressure: 4.5 PSI

Pro-Par



Relay Valves
RE-6 Emergency
PROVA-281865

Delivery "A" PT: 3/8 in. (2)
Delivery "B" PT: 1/4 in. (2)

Pro-Par



RG2
PROVA-28500

Supply: 3/8 in. Delivery: 3/8 in. Control: 1/4 in.
Crack Pressure: 5.6 PSI
2-Port Trailer Valve

Pro-Par



RG2
PROVA-28510

Supply: 3/8 in., 1/2 in. Delivery: 3/8 in.
Control: 1/4 in. Crack Pressure: 5.6 PSI
2-Port Trailer Valve

Pro-Par



RG2 Relay Valve
PROVA-28520

Supply: 1/2 in. Delivery: 1/2 in. Control: 1/4 in.
Crack Pressure: 5.5 PSI
2-Port Trailer Valve

Pro-Par



Emergency
PROVA-30400

Delivery: 3/8 in.(4) Inlet: 1/4 in. Tank: 3/4 in. Nipple
Crack Pressure: 3 PSI; Charging

Pro-Par



Emergency
PROVA-A10005

Supply: 1/4 in. Delivery: 1/4 in. Control: 1/4 in.
Tank: 1/2 in. Crack Pressure: 1.5 PSI
Pre FVMSS-121; Charging Style

Sealco



Non-ABS Service Relay Valve
SEA110139

Supply: 3/8 in. Delivery: 3/8 in.(2) Control: 3/8 in.
Tank: 3/4 in. Crack Pressure: 4.5 PSI
1 Valve to Control 2 Axles



Brake Valves

Relay Valves

Spring Brake Control Valve

SEA110191



Sealco

Supply: 3/8 in. Delivery: 3/8 in. Control: 3/8 in.
Tank: 1/2 in. & 3/8 in.;
Cover Plate Orientation: 90°

Service

SEA110197



Sealco

Delivery: 3/8 in. Control: 3/8 in. Tank: 1/2 in.
Crack Pressure: 4 PSI

Emergency

SEA110200



Sealco

Supply: 1/4 in. Delivery: 3/8 in.(4) Control: 1/4 in.
Tank: 3/4 in. Crack Pressure: 4.5 PSI
Charging Style

Emergency

SEA110205



Sealco

Supply: 3/8 in. Delivery: 3/8 in.(4) Control: 3/8 in.
Tank: 3/4 in. Crack Pressure: 4.5 PSI
Charging Style with Ratio Feature

Emergency

SEA110338



Sealco

Supply: 3/8 in. Delivery: 3/8 in.(4) Control: 3/8 in.
Supply Outlet: 3/8 in. Tank: 3/4 in.
Crack Pressure: 4.5 PSI; Non-Charging Style

Service

SEA110380



Sealco

Delivery: 3/8 in.(4) Control: 3/8 in. Tank: 3/4 in.
Crack Pressure: 1.5 PSI; Nipple Mount
Non-ABS

Service

SEA110410



Sealco

Delivery: 3/8 in.(2) Control: 3/8 in. Tank: 1/2 in.
Crack Pressure: 1.5 PSI; Nipple Mount
Non-ABS

Service

SEA110415



Sealco

Delivery: 3/8 in.(4) Control: 3/8 in. Tank: 3/4 in.
Crack Pressure: 4.0 PSI; Nipple Mount
Non-ABS



Brake Valves

Relay Valves

**Emergency
SEAA-1000-S**



Sealco

Supply: 1/4 in. Delivery: 1/4 in. Control: 1/4 in.
Tank: 1/2 in. Crack Pressure: 1.5 PSI
Pre FVMSS-121; Charging Style

**Trailer Emergency Valve
TRA51301**



Tramec

Spring Brake Priority

**Sensing Trailer Emergency Valve
TRA51321**



Tramec

Service Brake Priority

Spring Brake Valves

SR-5

	Type	Port
BENK033221	Anti-Compounding	3/4 in.
BENK033223	Anti-Compounding	1/2 in.
BENOR109615X[^]	Anti-Compounding	3/4 in.
BENOR109617	Anti-Compounding	1/2 in.



Bendix

SR-2

BENK033216



Bendix

Reservoir Port: 3/4 in.

SR-5

PROVA-065437



Pro-Par

Type: Anti-Compounding
Port: 3/4 in.



Air Systems

AIR

Valves

Brake Valves

Spring Brake Valves

Pro-Par

SR-5
PROVA-065439



Type: Anti-Compounding
Port: 1/2 in.

Pro-Par

SR-4
PROVA-101112



Pro-Par

SR-4
PROVA-101622



Pro-Par

SR-2
PROVA-102761



Reservoir Port: 3/4 in.

Pro-Par

Control
PROVA-110170



Supply: 3/8 in. Delivery: 3/8 in. Control: 3/8 in.
Tank: 1/2 in.; Cover Plate Orientation: Standard

Pro-Par

Control
PROVA-110171



Supply: 3/8 in. Delivery: 3/8 in. Control: 3/8 in.
Tank: 3/8 in. & 1/2 in.;
Cover Plate Orientation: 90°

Pro-Par

Emergency
PROVA-110205



Supply: 3/8 in. Delivery: 3/8 in.(4) Control:3/8 in.
Tank: 3/4 in. Crack Pressure: 4.5 PSI
Charging Style with Ratio Feature

Pro-Par

Control
PROVA-110500



Supply: 3/8 in. Delivery: 3/8 in.(4) Control:3/8 in.
Tank: 1/2 in.; Spring Brake Priority



Valves

Brake Valves

Enhanced Control
PROVA-110700



Pro-Par

Supply: 3/8 in. Delivery: 3/8 in. Control: 3/8 in.
Tank: 1/2 in.; Service Brake Priority

Spring Brake Valves
Enhanced Control
PROVA-110800



Pro-Par

Supply: 3/8 in. Delivery: 3/8 in. Control: 3/8 in.
Tank: 1/2 in.; Spring Brake Priority

Control
SEA110170



Sealco

Supply: 3/8 in. Delivery: 3/8 in. Control: 3/8 in.
Tank: 1/2 in.; Cover Plate Orientation: Standard

Control
SEA110171



Sealco

Supply: 3/8 in. Delivery: 3/8 in. Control: 3/8 in.
Tank: 3/8 in. & 1/2 in.;
Cover Plate Orientation: 90°

Emergency Control
SEA110376



Sealco

Supply: 3/8 in. Delivery: 3/8 in. Control: 3/8 in.
Tank: 3/8 in.

Control
SEA110500



Sealco

Supply: 3/8 in. Delivery: 3/8 in.(4) Control: 3/8 in.
Tank: 1/2 in.; Spring Brake Priority

Enhanced Control
SEA110700



Sealco

Supply: 3/8 in. Delivery: 3/8 in. Control: 3/8 in.
Tank: 1/2 in.; Service Brake Priority

Enhanced Control
SEA110800



Sealco

Supply: 3/8 in. Delivery: 3/8 in. Control: 3/8 in.
Tank: 1/2 in.; Spring Brake Priority

Air Systems

AIR

Height Control Valves

Valves

Hadley

Kit
HADH01500UN




Hadley
3/8 in. Push to Connect Fittings

Kit
HADH01502UNC



Hadley
0 Pressure

Kit
HADH00500C



Hadley
Without Dump Valve


Kit
HADH00500CA



Hadley
REV. ACT. VLV RW 202543/203758
0 Pressure

Hendrickson

Kit
HENAKH-134-3



Hendrickson
5 in. Axle; Less Dump
HT Series Suspensions

Kit
HENAKH-244B




Hendrickson
AAT at 14 in. Ride Height
INTRAAX Series Suspensions

Kit
HENV5-227



Hendrickson

Kit
HENV5-228



Hendrickson
Includes Dump



Valves

Height Control Valves

Hendrickson

HENVS-27116

Hendrickson



With Differential Dump

SAF Holland

**Kit
HOL508-60-013**

SAF Holland



Non-Dump

SAF Holland

**Kit
HOL508-60-015**

SAF Holland



0 Pressure

**Kit
HOL508-60-016**

SAF Holland



0 Pressure

Haldex / Neway

NEW900-54-007

Haldex



Ports: 1/8 in. Fittings Provided: 1/4 in.
Controlled Response

NEW905-54-183

Haldex



Ports: 1/8 in. Fittings Provided: 3/8 in.
Controlled Response

Tech Tip

Height Control Valves

Height control valves are used to automatically control the vehicle's ride height by inflating and deflating the air suspension.

Air Systems

AIR

Valves

Height Control Valves

Haldex / Neway

NEW905-54-994



Kit

Ports: 1/4 in. 7 in. Adjustable Arm
Precision Response with Bracket, Less Dump


NEW905-55-094



Kit

Pilot: 1/4 in. Ports: 3/8 in. 7 in. Adjustable Arm
Dump Valve - Normally Open, Requires Pressure to Dump; Precision Response; Push to Connect

NEW905-55-100



Kit

Push to Connect Fittings

Pilot: 1/4 in. Ports: 3/8 in. 5 in. Adjustable Arm
Dump Valve - Normally Closed, Dumps when Pressure is Removed; Precision Response Plus


NEW905-55-105



Kit

Ports: 1/4 in. Less Dump; Less Arm
Immediate Response; Plastic

NEW905-55-353



Kit

Push to Connect Fittings

Pilot: 1/4 in. Ports: 3/8 in. 7 in. Fixed Arm
Dump Valve - Normally Open, Requires Pressure to Dump; Precision Response Plus

NEW905-55-365



Kit

Pro-Par

PROVA-27000



Kit

Ports: 1/4 in. H Arm: 12 in. V Arm: 14 in.
Includes Linkage; Composite Material
Immediate Response

PROVA-90054007



Kit

Ports: 1/8 in. Fittings Provided: 1/4 in.
Controlled Response

Haldex

pro-par

Valves

Height Control Valves

Valves

Pro-Par

**Pro-Par
Kit**

PROVA-90554241



Ports: 1/4 in. Less Dump; Less Arm
Immediate Response; Plastic

**Ridewell
Kit**

RDW6300BFAB13



Ridewell

Kit

RDW6310BFAB11



Kit

RDW6311BFAB13



Height Control Valve Accessories

Hendrickson

HENAKEM0005-1



Hendrickson

Dump Valves

Auto

HENVS-23460



Air Systems

AIR

Valves

Height Control Valve Accessories

Dump Valves

NEW905-54-335

Haldex

Ports: 1/8 in. Fittings Provided: 1/4 in. & 3/8 in.
Normally Open, Requires Pressure to Dump
For Controlled Response Height Control Valve

Sensor Valve

NEW905-54-664

Haldex

External Dock Lock
Auto Reset

Height Control Linkages

Kit
HADH00450CE

Hadley

Universal Linkage Kit
HADHPB450-3

Hadley

HENS-14187

Hendrickson

Bolted Style

Height Control Linkage
HOL48100225

SAF Holland

Adjustable Rod
19-5/8 in. Maximum

NEW481-00-367

Haldex

14 in. Max Height
Adjustable Bolt Together

NEWSRK-205

SAF Holland

Adjustable Rod
13-1/2 in. Maximum

Haldex

HADLEY

HENDRICKSON

SAF Holland

Valves

Height Control Valve Accessories

Height Control Linkages

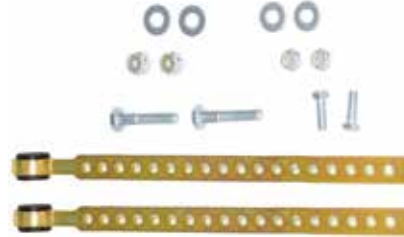
Linkage End Link
NEW900-54-516

Haldex



PROVA-Q500

Pro-Par



14 in. Max Height
Adjustable Bolt Together

Manual Valves

NEW900-54-088

Haldex



Ports: 1/8 in.
Self Relieving

Ball Valves

C-5 Shut-off Valve

BBTP6760-0009

3-way



BEN285172N

Bendix



Tech Tip

Ball Valves

Ball Valves use a hollow, perforated, pivoting ball to control flow through it. It is open when the ball's hole is in line with the flow and closed when it is pivoted 90-degrees by the valve handle.

Air Systems

AIR

Valves

HENDRICKSON

HalDEX

pro-par

SEALCO

Manual Valves

Ball Valves

FIT8-8FBV



1/2 in.

HENAK-147-1



Hendrickson

HENVS-22535



Hendrickson

3-way

Hand Control Valves

MIDKN20001



HalDEX

Ports: 1/8 in. Mount Holes: #10-24
Handle Chrome; Panel Mount - Flipper

NEW900-54-082



HalDEX

Ports: 1/4 in.; Manually Reducing Inbound
Pressure 50 to 120 PSI to Desired Output

Lever Control Valve

PROVA-229635



Pro-Par

Included
Name Plate

SEA21600
SEA21600-2



Sealco

Inlet: 1/8 in. Outlet: 1/8 in.
Name Plate: 821

Manual Valves

Valves

PP-1 Control Valve

BENOR276567X[^]



Bendix

Auto Release at 40 PSI

Push Pull Valves

HENVS-14179



Hendrickson

HENVS-25223



Hendrickson

3-Way Valve
Auto-Reset

HENVS-30428



Hendrickson

Knob
MID12509



Haldex

Hostler Valve
MIDKN20010



Haldex

Pop Pressure: 25/40 PSI Ports: 1/4 in.
Knob: MIDN14514

Hostler Valve
MIDKN20011



Haldex

Pop Pressure: 0 PSI Ports: 1/4 in.
Knob: MIDN14514

Knob
MIDN14514



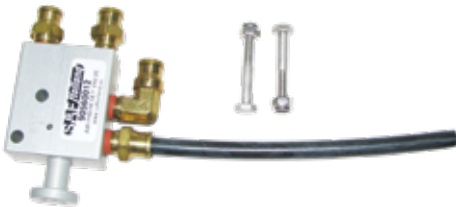
Haldex

Thread: 1/4-28

Manual Valves

Push Pull Valves

Haldex



For CB400

Slider Pin
NEW905-60-012

Pro-Par



Inlet/Outlet/Exhaust: 1/4 in.
Dolly / Trailer Park Brake Release

PROVA-17600

Pro-Par



PROVA-20031

Pro-Par



Auto Release at 40 PSI
Supply: 1/8 in. Delivery: 1/4 in. Control: 1/8 in.

PP-7 Trailer Supply Valve
PROVA-288239

Pro-Par



Dash Control
PROVA-M7102

Sealco



Auto reset control with weather cap

Actuator
SEA110589WC

Sealco



Inlet/Outlet/Exhaust: 1/4 in.
Dolly / Trailer Park Brake Release
Name Plate: SEA826 Knob: SEA13

SEA17600B

Sealco



Inlet: 3/8 in. Outlet: 3/8 in.

Air Bag Control Valve
SEA17610



Manual Valves

Push Pull Valves

SEA996555-M



Sealco

Inlet/Outlet: 1/4 in. Pilot: Breather Installed
Manual Reset

VEL320175




Velvac

4-Way, Non-Holding

System Control Valves

Booster Valves


Dolly Control Line (Booster) Valve
SEA110570



Sealco

Delivery: 3/8 in.(2) Control: 3/8 in. Tank: 1/2 in.
Crack Pressure: 0 PSI; Includes Bracket

STD Control Line (Booster) Valve
SEA110580




Sealco

Delivery: 3/8 in.(2) Control: 3/8 in. Tank: 1/2 in.
Crack Pressure: 0 PSI; Includes Bracket

Check Valves

SC3 Single Check

F Size	M Size	Part Number
1/2 in.	1/2 in.	BEN800372
3/8 in.	3/8 in.	BEN800373
1/4 in.	1/4 in.	BEN800375



Bendix

One-Way Check
MIDKN23000



Haldex

Inlet / Outlet: 1/2 in.



Air Systems

AIR

Valves

System Control Valves

Check Valves

Haldex

One-Way Check
MIDKN23010



Inlet / Outlet: 3/8 in.

DC-4 Double Check Valve
PROVA-278614



All Ports 3/8 in.

2 Way Check Valve
SEA320100



Inlet: 3/8 in. Outlet: 3/8 in.

Multi-Function Valves

Haldex

RT-4
MIDKN26020



Supply: 3/8 in. Plug Delivery: 3/8 in.(4)
Control: 3/8 in. Reservoir: 3/8 in., 3/8 in.
Pressure Protection Closure 70 PSI

Pro-Par

One-Way Check
PROVA-23000



Inlet / Outlet: 1/2 in.

Compressor Safety Valve Assembly
PROVA-284142



Pro-Par

Pro-Par

RT-4
PROVA-26000



Valves

System Control Valves

Valves

Pilot Valves

Air
HENVS-23588



Hendrickson

3-way

Air
HENVS-26816



Hendrickson

4-way

Air Suspension

NEW905-54-615



Haldex

Ports: 1/4 in. & 1/8 in.

SEA110587



Sealco

Ports: 3/8 in.

Pressure Gauges

NEW900-54-786



Haldex

Port: 1/4 in.; Silicone Filled
0-100 PSI



System Control Valves

Pressure Protection Valves

Bendix



Bendix



Hendrickson



Haldex



Ports: 1/4 in. Closing Pressure: 65 PSI
Opening Pressure: 70 PSI

Haldex



Haldex



Ports: 1/4 in.
Closing Pressure: 80 PSI

Haldex



Haldex



Ports: 1/4 in. Closing Pressure: 65 PSI
Opening Pressure: 70 PSI
with One-Way Check Valve

Ports: 1/4 in. Opening Pressure: 75 PSI
Closing Pressure: 70 PSI
Replaceable Filter Element

Ports: 1/4 in.; Closing Pressure: 90 PSI
Opening Pressure: 95 PSI



System Control Valves

Valves

Pressure Protection Valves

Pro-Par



PROVA-80-1003

Ports: 1/4 in. Opening Pressure: 75 PSI
Closing Pressure: 70 PSI
Replaceable Filter Element

Sealco



SEA110257

Inlet: 3/8 in. Outlet: 3/8 in.
Closing Pressure: 70 PSI
Used with SEA110338 or SEA110376

Sealco



SEA140270

Inlet: 3/8 in. Outlet: 3/8 in.
Closing Pressure: 60 PSI

Sealco



SEA140280

Inlet: 3/8 in. Outlet: 3/8 in.
Closing Pressure: 70 PSI

Sealco



SEA140370

Sealco



SEA5400

Inlet/Outlet/Exhaust: 1/4 in.
Pressure Range: 0 PSI to Tank Pressure

Regulator Valves

D2 Compressor Governor Valve

PSI	Type	
100 - 120	-	BEN275491

Bendix



Bendix

**Governor
BENOR275491X**



Air Systems

AIR

Valves

System Control Valves

Regulator Valves

Hendrickson

DANSR1PS105



Hendrickson

Air HENVS-1968



Compressor Governor MIDKN18530

Haldex



Cut-in: 105 PSI Cut-out: 130 PSI
Adjustable; Ports - 1/8 in.-27

Compressor Governor PROVA-G8602

Pro-Par



Cut-in: 105 PSI Cut-out: 130 PSI
Adjustable; Ports - 1/8 in.-27

Solenoid Valves

Hendrickson

HENAK-53



Normally Open

Hendrickson

HENVS-24797



Normally Open 12VDC
Port Size: 1/4 in. NPT
Wire Leads: #18 AWG, 24 in. Long

Type	
Normally Closed	NEW900-54-074
Normally Open	NEW900-54-075

Haldex



Ports: 1/4 in. 12v.

Valves

System Control Valves

TR3 Inversion Valve
BEN101450



Bendix

Inlet Opens at 25 PSI
Exhaust Opens at 40 PSI

Synchronizing Valves
SV-1
BEN283700



Bendix

Tractor Protection Valves

PROVA-279000



Pro-Par

Tech Tip

Testing Trailer Emergency & Service Brakes

Test Trailer Emergency Brakes. Charge the trailer air brake system and check that the trailer rolls freely. Then stop and pull out the trailer air supply control (also called tractor protection valve control or trailer emergency valve), or place it in the “emergency” position. Pull gently on the trailer with the tractor to check that the trailer emergency brakes are on.

Test Trailer Service Brakes. Check for normal air pressure, release the parking brakes, move the vehicle forward slowly, and apply trailer brakes with the hand control (trolley valve), if so equipped. You should feel the brakes come on. This tells you the trailer brakes are connected and working. (The trailer brakes should be tested with the hand valve but controlled in normal operation with the foot pedal, which applies air to the service brakes at all wheels.)*

* Indiana.gov

Air Systems

AIR

Valves

Miscellaneous Valves

Handle F
AIR8000-007



For: 3-Way Valve P6760-0009

Peter Paul Valve
BBTP6760-0039



Bendix

Cyclone DuraDrain® Water Separator
BEN801747



Supply: 3/8 in.
Delivery: 3/8 in.

Fruehauf

MI-Drilled & Tapped Handle
FRUHKA7455-1



Hendrickson

Lift Axle Control Kit
HENAKAD2010-1



Equalizing Valve; Stainless Steel Enclosure
For: Lift Axle

Hendrickson

Air Control Steerable
HENHAC-SSI



Hutch

P3 Pin Puller Valve
HUT17708-01



Meritor

Air Valve
MTRA1-7806X1090



Valves

Miscellaneous Valves

Dual Brake Foot Valve
PROVA-286171

Pro-Par



Anti-Charge Back Valve
SEA110474

Sealco



Supply Input: 3/8 in. For Dollies
Supply Output: 3/8 in.

Supply Line Filter
SEA2550

Sealco



Inlet: 3/8 in. Outlet: 3/8 in.

3-Way Air Valve Toggle
TSCPPA-127



Axles 111-172

Axles	112-118
Weldments	113
Hardware	115-118
-Dust Shields	115
-Spindle Nuts	116-117
-Spindle Washers	118
Brakes	119-146
Air Disc Brake	119-122
-Chambers	119
-Pads	120
-Calipers	121
-Hubs & Rotors	121-122
Brake Chambers	123-129
-Piggybacks	123
-Service Brake Chambers	123
-Spring Brake Chambers	124-125
-Accessories	126-129
Brake Shoes	130-146
-Hardware Kits	130-136
-Shoes	137-146
Camshafts	147-150
Repair Kits	151-162
Individual Components .	162-165
-Brackets	162-163
-Bushings	164
-Seals	165
-Snap Rings	165
-Washers	165
Slack Adjusters	166-172
Automatic	166-170
Manual	170
Accessories	171-172

Axles

AXL

Axles

TN Spindle

	Track	Wall Thickness	Cam Length	Brake Type
MTRTN-4671-LR-1150			17-3/8 in.	
MTRTN-4671-LR-1250	71-1/2 in.	1/2 in.	20-15/32 in.	Q+
PROAXL71NME67			20-13/32 in.	
PROAXL71NSE67			17-5/16 in.	
MTRTN-4671-LR-7150			17-3/8 in.	
MTRTN-4671-LR-7250	77-1/2 in.	1/2 in.	20-15/32 in.	Q+



(PROAXL71NME67)

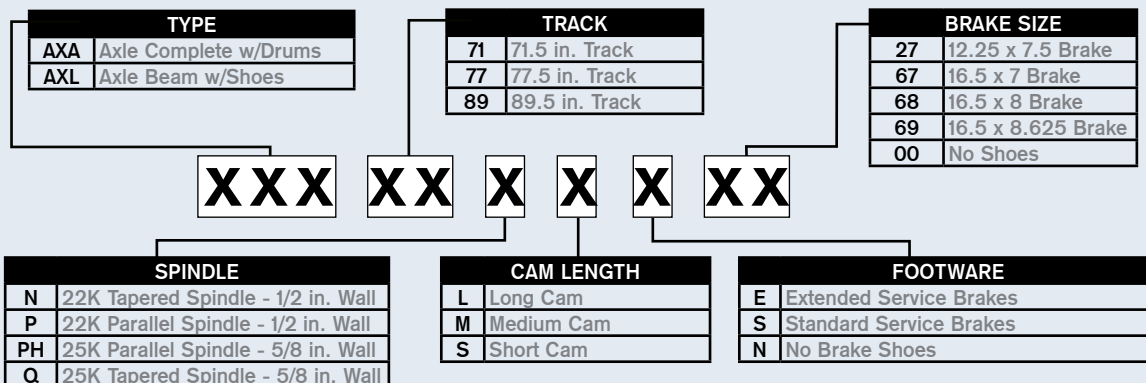
TP Spindle

	Track	Wall Thickness	Cam Length	Brake Type
MTRTP-8671-LR-1350	71-1/2 in.	5/8 in.	24-9/64 in.	Q+
MTRTP-8671-LM-7350			24-9/64 in.	Q+ & Tire Inflation System
MTRTP-8671-LR-7350	77-1/2 in.	5/8 in.		Q+
PROAXL77PHLE67			24-1/16 in.	



(MTRTP-8671-LM-7350)

Quick Reference Pro-Par Axle Part Numbers



MERITOR

pro-par

Axles

TQ Spindle

	Track	Wall Thickness	Cam Length	Brake Type
MTRTQ-4671-LR-1350 PROAXL71QLE67	71-1/2 in.	5/8 in.	24-9/64 in. 24-1/16 in.	Q+
MTRTQ-4671-LR-7350 PROAXL77QLE67	77-1/2 in.	5/8 in.	24-9/64 in. 24-1/16 in.	Q+

Axle Weldments

	Track	Spindle Type	Wall Thickness	Cam Length	Location	Ride Height	Note
HENHTRAAX.5080 MTRWP-4671-NS-7101	77-1/2 in.	WP	1/2 in.	17-3/8 in.	Front	16-1/2 in.	RHP-11

Dressed Axles

	Track	Spindle Type	Cam Length
PROAXA71NME67-001		TN	
PROAXA71QLE67-001	71-1/2 in.	TQ	16-1/2 in.
PROAXA77QLE67-001	77-1/2 in.	TQ	16-1/2 in.

Constructed of high-quality materials and designed for superior reliability. Pro-Par Dressed Axles are assembled by Wabash National, North America's leader in trailer manufacturing and innovation - with over 75,000+ dressed axles produced in 2017.

NOTE: Additional Options Available. Contact Your Aurora Regional Sales Manager for Details.

Cross Reference & Bearing Guide

Axles

Axle Beam

Refers to axles without camshafts or brake shoes.

Axle

Refers to axles with camshafts and brake shoes.

Dressed

Refers to axles complete with braking system and wheel-end components. Including hubs, bearings, wheel seals, spindle nuts, drums or rotors, parking brake chambers, automatic slack adjusters, sensor block and hubcaps.

Meritor	Pro-Par	Spindle Type	Bearing Combo (Inner/Outer)
MTRTN-4671-LR-1250	PROAXL71NME67	TN	HM218248/ HM212049
MTRTN-4671-LR-1150	PROAXL71NSE67		
MTRTN-4671-LR-7150	PROAXL77NSE67		
MTRTQ-4671-LR-1350	PROAXL71QLE67	TQ	HM218248/ HM212049
MTRTQ-4671-LR-1250	PROAXL71QME67		
MTRTQ-4671-LR-7350	PROAXL77QLE67		
MTRTP-8671-LR-1350	PROAXL71PHLE67	TP	HM518445/ HM518445
MTRTP-4671-LR-1150	PROAXL71PSE67		
MTRTP-8671-LR-7350	PROAXL77PHLE67		
MTRTP-4671-LR-7150	PROAXL77PSE67		

Axles, Brakes & Hdw

AXL

Axles

Quick Reference

Meritor Aftermarket Axle Part Numbers

BRAKE DIAMETER	
2	12-1/4 in. (31 cm)
5	15 in. (38 cm) (1)
6	16-1/2 in. (42 cm)
8	18 in. (46 cm)

DESIGN VARIATIONS	
C	Crank
D	Drop
P	Positive Bearing Adjustment (obsolete)
[BLANK]	Straight with Manual Bearing Adjustment

BEAM TYPE	
T	Tubular
R	Rectangular (obsolete)

BRAKE WIDTH	
1	10 in. (25 cm)
6	6 in. (15 cm) (2)
7	7 or 7-1/2 in. (18-19 cm)
8	8-5/8 in. (22 cm)
9	8 in. (20 cm)

MISCELLANEOUS	
0	FMVSS121 Brake Certification (discontinued)
1	Equipped for ABS (7)
6	Wabash MBS2 Prepared

BRAKE TYPE - Q = Q CAM BRAKE, L = Q+ CAM BRAKE STANDARD SERVICE AXLES

NA	Same as NR with Sensors, Cable Clips & Tie-Wraps (5)
NR	Aftermarket Service Axle less Brake & less Locator Hole (5)
QR/LR	Aftermarket Q/Q+ Cam Brake Service Axle less Locator Hole (5)
NM	Aftermarket Service Axle, for Meritor Tire Inflation System less Brake, with Airline Hole, PSI Plugs & Stator (5)
QM/LM	Aftermarket Service Axle for Meritor Tire Inflation System with Q/Q+ Brake, Airline Hole, PSI Plugs & stator (4)
RHP / MPA SERVICE AXLES	
NS	Aftermarket RHP/MPA Service Axle with Suspension Seats, less Brakes (5)
OS/LS	Aftermarket RHP/MPA Service Axle with Suspension Seats & Q or Q+ Brakes (4)
NP	Aftermarket RHP/MPA Service Axle with Suspension Seats less Brake, with Airline Hole & PSI Plugs with Stator (5)
QP/LP	Aftermarket RHP/MPA Service Axle with Suspension Seats & Q or Q+ Brakes, Airline Hole and PSI Plugs with Stator (4)

XX * X - XXXX - XX - XXXX

BEAM CAPACITY LB (KG)	
N	22,500 (10,206)
Q	25,000 (11,340)
P	30,000 (13,608)
P	22,500 (10,206)
P	25,000 (11,340)
R	22,500 (10,206)
R	25,000 (11,340)
B	22,500 (10,206)
B	25,000 (11,340)
L	22,500 (10,206)
L	25,000 (11,340)

TRACK	
1	71.5 in. Track
7	77.5 in. Track
8	83.5 in. Track

RHP/MPA SEAT BRACKETS	
0	Less Seat Brackets
1	16-1/2 in. Front RHP/MPA
2	16-1/2 in. Rear RHP/MPA
3	17-1/2 in. Front RHP
4	17-1/2 in. Rear RHP
5	18-1/2 in. Front RHP
6	18-1/2 in. Rear RHP
7	17-1/2 in. - 18-1/2 in. Front MPA
8	17-1/2 in. - 18-1/2 in. Rear MPA

MODIFICATION	
1	Single Wheel
2	Intermodal
3	Bolted on Brakes
4	Standard Wall Thickness
5	MPA38 Only (8)
6	Positive Bearing Adj (obsolete)
8	Heavy Wall Thickness (5/8 in.)
9	Heavy Wall Thickness (3/4 in.)

CAM LENGTH / SPLINE	
0	No Cams
1	Short 28T
2	Intermediate 28T
3	Long 28T
4	Short 10T
5	Intermediate 10T
6	Long 10T

LINING MIX	
0	No Brake
1	R202 (obsolete)
2	R301
3	R201 (obsolete)
4	SOR615
5	MA212
6	MA312

* BEARINGS	
N	HM218248/HM212049
P	HM518445/HM518445
Q	HM218248/HM212049
R	594A/580
B	Unitized Hub & Bearings (discontinued)
L	Unitized Hub & Bearings (discontinued)

NOTES	
The last four digit designations apply to aftermarket axle model numbers only. These designations do not apply to production axle model numbers.	
(1)	Drum or Rotor
(2)	Denotes brake shoe width or pad size
(3)	Service beam only
(4)	Equipped with brake shoes & camshafts
(5)	Equipped with camshafts but no brake shoes
(6)	Not available in crank or drop center axles
(7)	All axles will have ABS blocks installed
(8)	Use standard nomenclature rules for MPA40



Dust Shields

FRUAPA1192-3



Fruehauf

Black 1-Piece with Split

HENS-28500-1650



Hendrickson

Material: Metal
Size: 5 in. Round Axle

HENS-28500-1657



Hendrickson

Material: Metal
Size: 5-3/4 in. Round Axle


Dust Shield Clamp Kit
HENS-28501-500



Hendrickson

5.00" Clamp & Hardware Kit

Dust Shield Clamp Kit
HENS-28501-575



Hendrickson

5.75" Clamp & Hardware Kit

AXL
Axles

FRUEHAUF

HENDRICKSON

Tech Tip
Dust Shields

Dust shields are installed between the rim and the brake disc. The dust shield catches all the dust blown from the brake disc and prevents it from settling on the rims.

Spindle Nuts

AXL

Axles

	Type	Size	Bearing	Note
MTRR000540	Inner	2-5/8 in. - 16	HM218248/HM218210, Q / N	1227-C-549
MTRR000572	Outer	2-5/8 in. - 16	HM218248/HM218210, Q / N	1227-B-756



(MTRR000540)



(MTRR000572)

Meritor

	Type	Size	Bearing
PROWF5200	Outer	2-5/8 in. - 16	Q / N
PROWF5210	Inner	2-5/8 in. - 16	Q / N



(PROWF5200)



(PROWF5210)

Pro-Par

Temper-Loc Spindle Nuts

	Size	Bearing	Application
MTRMER614723	3-31/64 in. - 12	HM518445/HM518410	TP Trailer
MTRMER614743	2-5/8 in. - 16	HM212049/HM212011	TN Trailer
MTRMER614973	3-1/4 in. - 12	HM580/HM572	R Dive

Temper-Loc precision single-locking nut system provides bearing adjustment with pinpoint accuracy. The nut system sets optimal wheel-end preload maximizing tire life and vehicle uptime.



Meritor

Retainer Ring

- MTRMER644723**
- MTRMER644743**
- MTRMER644973**

PRO-TORQ Spindle Nuts

	Size	Bearing	Application
STE447-4723	3-31/64 in. - 12	HM518445/HM518410	Pro-Par, Meritor TP, Hendrickson HP
STE447-4743	2-5/8 in. - 16	HM212049/HM212011	Dana, Eaton, Meritor RL, RQ, TK, TN, TQ, Hendrickson HN
STE449-4973	3-1/4 in. - 12	HM518445/HM518410	Dana Est-230-P, Eaton-22, Meritor TR

Increase tire life and reduce premature wheel seal failure with the proven performance of the Pro-Torq® axle spindle nut. With back off increments down to 0.001 inch and exacting cup and cone alignment on the spindle.



Stemco

Keeper

- STE450-4723**
- STE450-4743**
- STE450-4973**



Spindle Nuts

MTR21225405

Meritor

For Axles: LM / TN

MTRKIT-8094

Meritor

For Axles: TL

MTRKITSTNEW

Meritor

For Axles: Meritor RQ, TK, TN, TQ
 Bearing: HM218248/HM218210 Inner
 HM212049/HM212011 Outer

MTRKITSTPN

Meritor

For Axles: Meritor TP
 Bearing: HM518445

PROAXL-NUTKIT

Pro-Par

For Axles: Meritor RQ, TK, TN, TQ
 Bearing: HM218248/HM218210 Inner
 HM212049/HM212011 Outer

More Information

Pro-Par Spindle Nuts & Washers

Nut		Spindle	Washer	Lock Washer	Tab Lock	Cotter Pin
PROWF2296	Outer	FD, FE, FF	PROWF2298	PROWF2297		
PROWF2299	Inner	FD, FE, FF	PROWF2298	PROWF2297		
PROWF2303	Inner	TP, TR		PROWF2301/PROWF2304	PROWF2302	
PROWF2305	Outer	TP, TR		PROWF2301/PROWF2304	PROWF2302	
PROWF5200	Outer	TN/TQ		PROWF5300/PROWF5300S	PROWF5660	
PROWF5210	Inner	TN/TQ		PROWF5300/PROWF5300S	PROWF5660	
PROWF5401		Fruehauf	PROWF5402			PROWF5403

Spindle Washers

AXL

Axles

	Type	Thickness	Inner Diameter	Outer Diameter	Cross Reference
MTR21225514	Tab Lock				
MTRR000573	Lock	1/4 in.	2-41/64 in.	3-15/16 in.	
PROWF2302	Tab Lock	3/64 in.	3-5/16 in.	4.00 in.	
PROWF5660	Tab Lock	1/16 in.	2-41/64 in.	4-1/32 in.	R002237
PROWF5300S	Lock	1/4 in.	2-41/64 in.	3-7/8 in.	
PROWF5300	Lock	1/4 in.	2-41/64 in.	3-15/16 in.	R000573



(MTR21225514)



(MTRR000573)



(PROWF2302)



(PROWF5660)



(PROWF5300S)



(PROWF5300)

There is a Difference | BRAKE CHAMBERS
RANGER BRAKE

pro-par
PROBC-3030C
Size: 3030
Standard Stroke
Round Ports



1 YR WARRANTY

pro-par
PROBC-3030
Size: 3030
Standard Stroke
Round Ports



2 YR WARRANTY

ALSO AVAILABLE
3" Long Stroke
Square Ports
PROBC-3030LS

pro-par
PROBC-18D
Size: 18
Standard Stroke
Round Ports



The Future is Here
AIR DISC BRAKES

ALSO AVAILABLE:
PROBC-16D | PROBC-1624D
PROBC-18D | PROBC-1824D
PROBC-20D | PROBC-2024D
PROBC-24D | PROBC-2424D
Standard Stroke 2.5"

pro-par
PROBC-1824D
Size: 18
Standard Stroke
Round Ports

RANGER
CTS-3030
Size: 3030
Standard Stroke
Round Ports



1 YR WARRANTY

ALSO AVAILABLE
3" Long Stroke
Square Ports
CTS-3030LS

pro-par
PROBCP-3030K
Size: 3030
Standard Stroke
Round Ports



pro-par
PROBCP-3030K
Size: 3030
3" Long Stroke
Square Ports



Air Disc Brakes

Chambers

Type 16/24

	Stroke	Notes
HOL04454109864	2-1/2 in.	Includes Tubes
HOL04454115860	2-1/2 in.	
PROBC-1624D	2-1/2 in.	



(HOL0445109864)



(HOL0445115860)



(PROBC-1624D)

Type 18/24

	Stroke	Location	Notes
BENK132352	2-1/4 in.		Bendix EverSure; 3/8 in. - 18 NPTF Ports
BENK25670	2-1/2 in.		NG-3 Piston Style; 3/8 in. - 18 NPTF Ports
HENS-34446-L	2-1/2 in.	Left Hand	MAXX22T
HENS-34446-R	2-1/2 in.	Right Hand	MAXX22T
HENS-34446-U	2-1/2 in.	Unhanded	MAXX22T
PROBC-1824D	2-1/2 in.		



(BENK132352)



(BENK025670)



(HENS-34446-L/
HENS-34446-R)



(HENS-34446-U)



(PROBC-1824D)

Type 20/24

	Stroke	Location	Notes
HENS-34421-L	2-1/2 in.	Left Hand	WABCO
HENS-34421-R	2-1/2 in.	Right Hand	WABCO
PROBC-2024D	2-1/2 in.		



(HENS-34421-L/
HENS-34421-R)



(PROBC-2024D)

AXL

Brakes

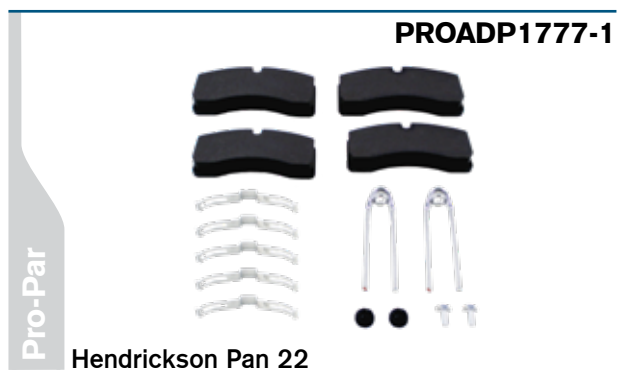
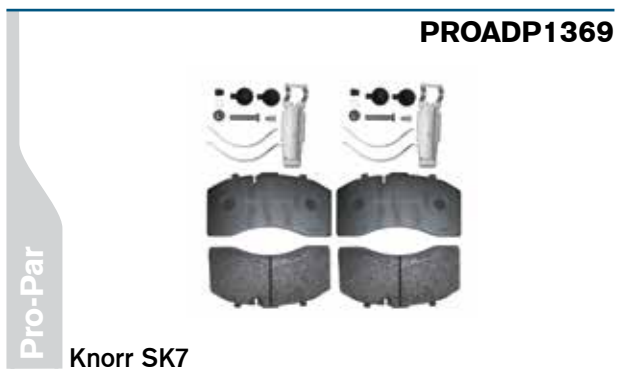
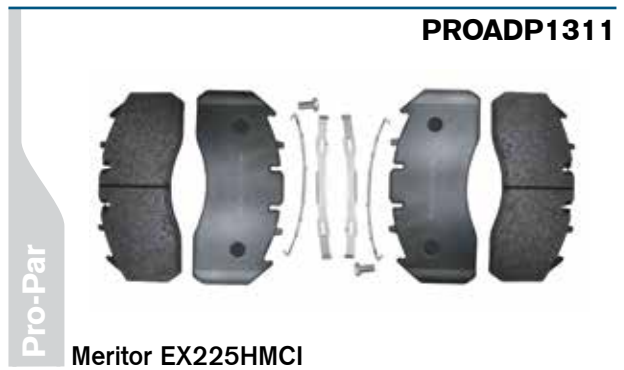


Air Disc Brakes

Pads

AXL

Brakes



Brakes

Air Disc Brakes

Calipers

BEN802985



Bendix
ADB22X

Location	
Left Hand	HENS-35303-7
Right Hand	HENS-35303-8



Hendrickson
MAXX22T

HENS-35303-9




Hendrickson
MAXX22T

Rotor
BEN802569




Bendix
ADB22X
No Offset, Heavy-Duty Splined Disc Kit

Hubs & Rotors
Rotor
CMT10018609



ConMet
For: TN ADB

Rotor
CMT10020682



ConMet
For: FF, FL, & R

Hub Assembly
CMT10083512



ConMet
TP Trailer HP10 ABS

AXL

Brakes



Air Disc Brakes

AXL

Brakes

Hubs & Rotors

Hub Assembly
HOL2073190000100



SAF Holland

Long Studs

Accessories

Dust Shield Kit
HENS-28570-4357



Hendrickson

Size: 5-3/4 in.
Clamp On, 430MM Rotor

Dust Shield
HENS-35720-4415



Hendrickson

Size: 5-3/4 in.
Bolt-On, 415MM Rotor

Bolt Kit
HENS-33649-5



Hendrickson

MAXX22T Caliper to Torque Plate

Guide Bolt Kit
HENS-35303-4



Hendrickson

MAXX22T Caliper Disc Brake

Adapter Cap/ Shear
HOL03434381600



SAF Holland

HENDRICKSON
SAF Holland

Brakes

Brake Chambers

Piggybacks

Type 30/30

	Stroke	Notes
HDXGP3030	2-1/2 in.	Gold Seal piggyback
HDXGP3030K	2-1/2 in.	Gold Seal; Kit - includes piggyback, clamps, diaphragm & hardware
IMXBCP-3030K	2-1/2 in.	Includes piggyback, clamps & diaphragm
MGM3430008	2-1/2 in.	For model TR3030; Includes piggyback, clamps, diaphragm, plug kit, nuts & bolts
PROBCP-3030K	2-1/2 in.	Includes piggyback, clamps & diaphragm
PROBCP-3030K-B	2-1/2 in.	Includes piggyback, clamps & diaphragm; boxed
RNGBPS-3030	2-1/2 in.	Piggyback
RNGBPS-3030K	2-1/2 in.	Kit - includes piggyback, diaphragm, clamps & installation hardware
TSE3030SN2K-3001	2-1/2 in.	Piggyback kit box Omni
MGM3230008	3 in.	For model TR3030LP3; Includes piggyback, clamps, diaphragm, plug kit, nuts & bolts
PROBCP-3030KLS	3 in.	Includes piggyback, clamps & diaphragm
PROBCP-3030KLS-B	3 in.	Includes piggyback, clamps & diaphragm; boxed
RNGBPS-3030KLS	3 in.	Piggyback kit
RNGCPS-3030KLS	3 in.	Piggyback kit
TSE3030SN3K-3003	3 in.	Piggyback kit box Omni



(HDXGP3030K)



(MGM3230008)



(PROBCP-3030K)



(RNGBPS-3030K)

Service

	Type	Stroke	Notes
NEW905-48-040	9		
RNGBSC-09	9		Pushrod length: 10-3/8 in.
MIDMA36120	12	1-3/4 in.	SC12
RNGBSC-12	12	2-1/4 in.	
MGM1621901	20	2-1/2 in.	CS model; with welded yoke
RNGBSC-20	20	2-1/4 in.	
MIDKN36240	24	2-1/4 in.	SC24
PRE281	24		Pushrod length: 8 in.
RNGBSC-24	24	2-1/2 in.	
ANCSC30	30	2-1/2 in.	
IMXGTA-BC30	30		
HDXSC30L	30	3 in.	Long stroke
RNGBSC-30	30	2-1/2 in.	



(ANCSC30)



(RNGBSC-30)



(TSE30002SC-C)



MGM Brakes

A Division of Indian Head Industries, Inc.

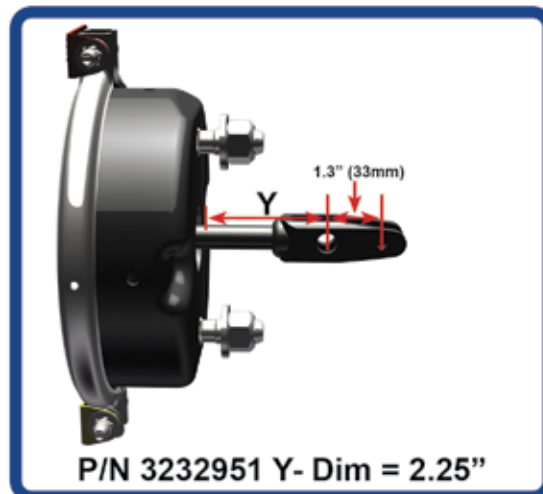
Along with chambers equipped with standard 8-inch fully threaded push-rods, MGM Brakes also offers a variety of standard rubber and neoprene diaphragm chambers with welded yokes.

Key Benefits of the Welded Yoke

- Reduces chamber replacement time
- No push-rod cutting required
- Save money - no need to buy separate, expensive yoke
- Retains exact chamber to slack adjuster factory set-up



P/N 3232951
shown here



P/N 3232951 Y- Dim = 2.25"

NOTE: Measured from mounting base to center line of large yoke pin with power spring caged.

www.mgmbrakes.com

Brake Chambers

Spring Brake



Type 24/24

	Stroke	Push Rod Length
RNGBTS-2424	2-1/2 in.	12-1/2 in.

Type 30/30

	Stroke	Push Rod Length	Clevis	Notes
HDXLCP3030S5CW	2-1/2 in.	5-9/16 in.	Yes	Welded Clevis
MGM3430051	2-1/2 in.	8 in., 5/8-18		TR3030
TSE3030TN2-C	2-1/2 in.	8 in.	Yes	Omni Trac
TSE3030TN2-HNTRX-C	2-1/2 in.	8 in.	Yes	Omni
TSE3030TVR2	2-1/2 in.	8 in.		Omni Vct Tandem T-Rex
HDXGC3030	2-1/2 in.	10 in., 5/8-18		Gold Seal
HDXLCP3030	2-1/2 in.	10 in., 5/8-18		Life Seal
RNGBTS-3030	2-1/2 in.	12-1/2 in.**		
RNGBTS-3030-8050	2-1/2 in.	12-1/2 in.**	Yes	Sealed
HOL50866038	2-1/2 in.	12-1/4 in.		
RNGBTS-3030X	2-1/2 in.	12-1/2 in.		Intraax
PROBC-3030	2-1/2 in.	13 in.		
PROBC-3030C	2-1/2 in.	13 in.	Yes	Sealed
RNGBTS-3030-106	2-1/2 in.	13 in.		
RNGCTS-3030	2-1/2 in.	13 in.		Sealed, without clevis
BENNT3030ELS-WC	3	1 in.		S-Cam
HDXGC3030LCW	3	1 in.		Actuator
MGM3230951	3 in.	8 in., 5/8-18		TR3030LP3; Welded yoke; Low profile; Long stroke
MGM3232951	3 in.	8 in., 5/8-18		TR3030LP3HD; HD low profile; Long stroke; Long life
TSE3030TN3-HNTRX-C	3 in.	8 in.	Yes	Omni; Long rod
HDXGC3030L	3 in.	10 in., 5/8-18		Gold Seal; Long stroke
PROBC-3030LS	3 in.	13 in.		Long stroke
RNGCTS-3030LS	3 in.	13 in.		Long stroke
RNGBTS-3030LSX	3 in.	12-1/2 in.		Long stroke; without clevis

More Information

Brake Chambers

Spring Brake Chambers



Spring brake chambers have two chambers, the service chamber for normal braking functions while the vehicle is in motion and the "parking brake" chamber for parking and emergency brake functions.

Piggyback Units



Piggybacks are the parking/emergency chamber portion of a spring brake chamber.

Service Chambers



Service chambers fill with air when the vehicle's brake pedal is used, providing stopping power while the vehicle is in motion.

Round vs. Square Ports

Standard stroke spring brake chambers have round ports while long stroke spring brake chambers have square ports. (Note: Single chamber service chambers have square ports as well)

Accessories

AXL

Brakes

RANGER
Brake Products

HENDRICKSON

MERITOR

Hallex

Bolts

T-Bolt Assembly RNGRB-008

Ranger Brake



Includes: (1) Washer, (1) T-Bolt, (1) T-Bolt Nut

Brake Chamber Brackets

DANM10WJ227

Hendrickson



Brake Chamber Brackets

HENS-24697

Hendrickson



MTR3299A5981

Meritor



Clamps

T30 Clamp Band Kit HDXCB30

Hallex



Includes (2) Clamp Bands, (2) Bolts & (2) Nuts
Application: Service Chamber

IMXGT-5280

Economy



Includes (2) Clamp
For Type 30 brake chambers

Clevises & Pins

	Description	Thread	Pin	Length
HENSA-5200-8	Clevis Pin	-	3/8 in.	1/5 in.



Hendrickson

(HENSA-5200-8)

Brakes

Accessories

Clevises & Pins

	Description	Thread	Pin	Notes
GUNAS3000	Clevis Assembly	5/8 in. - 18	1/2 in., 1/4 in.	Threaded; Straight
GUNAS3013	Clevis Assembly	5/8 in. - 18	1/2 in., 1/4 in.	Extended Threaded; Straight
GUNAS3018	Clevis Assembly	5/8 in. - 18	1/2 in., 1/4 in.	Extended Threaded; Straight
GUNAS3019	Clevis Assembly	1/2 in.-20 / 5/8 in. - 18	1/2 in., 1/4 in.	Collar Lock; Straight
GUNAS4004	Pin Kit: Includes (6) 1/2 in. clevis pins, (6) 1/4 in. clevis pins & (12) cotter pins			
GUNAS4012	Stainless Steel Pin Kit: Includes (6) 1/2 in. clevis pins, (6) 1/4 in. clevis pins & (12) cotter pins			



(GUNAS3000)



(GUNAS3013)



(GUNAS3018)



(GUNAS3019)



(GUNAS4004)



(GUNAS4012)

Gunite/Accuride

	Description	Thread	Pin	Notes
IMXGT-5400	Clevis Assembly	5/8 in. - 18	1/2 in.	Threaded; KN36470
IMXGT-5400A	Yoke	5/8 in. - 18	-	For 5400 clevis assembly
IMXGT-5400B	Pin	-	1/2 in.	For 5400 clevis assembly
IMXGT-5401	Clevis Assembly	1/2 in. - 20	1/2 in.	Threaded
IMXGT-5402	Clevis Assembly	1/2 in. - 20	5/8 in.	Threaded
IMXGT-5402B	Pin	-	5/8 in.	For 5402 clevis assembly



(IMXGT-5400)



(IMXGT-5400A)



(IMXGT-5400B)



(IMXGT-5401)



(IMXGT-5402B)



(IMXGT-5402)

Economy

	Description	Thread	Pin	Notes
HDXCF1	Clevis Assembly	1/2 in.-20	1/2 in.	Threaded; 9999048; Includes yoke, 1/2 in. clevis pin & cotter pin
MIDKN36470	Clevis Assembly	5/8 in.-18	1/2 in.	Threaded; CF2; Includes yoke, 1/2 in. clevis pin & cotter pin
HDXCP1	Clevis Pin		1/2 in.	19100; Includes 1/2 in. clevis pin & cotter pin
MIDCQ19113	Clevis Pin Kit			Includes (6) 1/2 in. clevis pins, (6) 1/4 in. pivot pins & 12 cotter pins
HDXCF3	Yoke Assembly			
HDX452-10128	Clevis Bushing			



(HDXCF1)



(MIDKN36470)



(HDXCP1)



(MIDCQ19113)



(HDXCF3)



(HDX452-10128)

Hal dex

Accessories

Clevises & Pins

	Description	Thread	Pin	Length	Notes
MTR19X1084	Hex Head Clevis Pin		1/2 in.	1-1/2 in.	R801732; 19X60
MTR19X127	Round Head Clevis Pin		1/4 in.	1-3/16 in.	R801730; 19X70
MTRR801730	Round Head Clevis Pin		1/4 in.	1-3/16 in.	
MTRR801732	Hex Head Clevis Pin		1/2 in.	1-1/2 in.	
MTRR810005	Clevis Pin Kit		Includes (1) 19X1084, (1) 19X127 & (2) clips		
MTRR810019	Clevis Assembly	5/8 in. - 18	Straight; Includes clevis, 19X1116 pin, 19X127 pin & cotter pins		



(MTR19X1084)



(MTR19X1116)



(MTR19X127)



(MTRR801732)



(MTRR810005)



(MTRR801730)



(MTRR810019)

Meritor

	Description	Thread	Pin	Notes
PROBC-CLB01	Clevis Assembly	5/8 in.-18	5/8 in.	Straight; Threaded; Bendix style xRef 107158
PROBC-CLG01	Clevis Assembly	5/8 in.-18	1/2 in.	Straight; Threaded; Gunite style xRef AS3000
PROBC-CLG02	Clevis Assembly	5/8 in.-18	5/8 in.	Collar Lock; Gunite style xRef AS3016
PROBC-CLG03	Clevis Assembly	5/8 in.-18	5/8 in.	Collar Lock; W/collar nuts; Gunite style xRef AS3019
PROBC-CLH01	Clevis Assembly	5/8 in.-18	1/2 in.	Manual; Std; Threaded; Haldex style xRef KN36470
PROBC-CLM01	Clevis Assembly	5/8 in.-18	5/8 in.	Straight; Threaded; Meritor style xRef R810019
PROBC-CLM02	Clevis Assembly	1/2 in.-20	1/2 in.	Straight; Threaded; Meritor style
PROBC-CLPIN1	Clevis Pin		1/2 in.	Greasable
PROBC-CLH03	Clevis Pin		1/2 in.	Length: 1-5/8 in.; With Cotter Pin



(PROBC-CLB01)



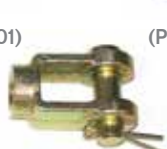
(PROBC-CLG01)



(PROBC-CLG02)



(PROBC-CLG03)



(PROBC-CLH01)



(PROBC-CLM01)



(PROBC-CLM02)



(PROBC-CLPIN1)

Pro-Par

	Description	Thread	Pin	Length	Notes
STEMC8420KTS	Standard ABA Clevis	18		5/8 in.	Includes Pin Kit
STEMC8056KTAS	Pin Kit				



(STEMC8420KTS)



(STEMC8056KTAS)

Stemco

AXL

Brakes



Accessories

Diaphragms

	Type	Diameter	Notes
AIRBD9	9	5-1/32 in.	
AIRBD12	12	5-15/32 in.	
AIRBD16	16	6-5/32 in.	
AIRBD20	20	6-17/32 in.	
AIRBD24	24	7 in.	

	Type	Diameter	Notes
AIRBD30	30	7-27/32 in.	
AIRBD303	30	3 in.	Long Stroke



Ranger Brake

Plugs

Part Number	Information
BENK034202	
HDXRTP1	Assembly for Gold Seal except XX36
MIDM143982	New Style; RTP2; For Midland Style
MGM9019005P	Weatherseal™; Fits all MGM spring brake chambers except 3036 & 3636 models
RNGRB-30DC	



(BENK034202)



(HDXRTP1)



(MIDM143982)



(MGM9019005P)



(RNGRB-30DC)

Pushrod Kits

Part Number	Type	Length	Pin
TSEK680-102	Fixed	6.80 in.	1.02 in.
TSEK680-130	Fixed	6.80 in.	1.30 in.
TSEK680-138	Fixed	6.80 in.	1.38 in.
TSEK975	Threaded Rod	9-3/4 in.	



(TSEK680-102)



(TSEK680-130)



(TSEK680-138)



(TSEK975)

TSE Brakes, Inc.

AXL

Brakes

RANGER
Brake Products

Halidex

MGM
MGM Brakes

TSE

Brake Hardware Kits

OEM Heavy Duty

MTRKIT-8000HD-BULK

Qty	Description
2	Anchor Pin
2	Retainer
2	Spring
1	Spring
2	Pin
2	Bushing
2	Roller



Size: 16-1/2 in.
Fit: Q & Q+

Meritor

Heavy Duty

MTRKIT8002HD

Qty	Description
2	Spring
1	Spring



Size: 16-1/2 in.
Fit: Q

Meritor

MTRKIT-8081

Qty	Description
2	Spring
1	Spring
2	Retainer
2	Pin
2	Bushing
2	Roller
2	Roller



Size: 16-1/2 in.
Fit: Q

Meritor

MTRMKT4515QHD-B

Qty	Description
2	Anchor Pin
2	Retainer
2	Spring
1	Spring
2	Pin
2	Bushing
2	Roller



Size: 16-1/2 in.
Fit: Q & Q+

Meritor

More Information

Brake Hardware Kit Cross Reference

Pro-Par	Batco	BWP	Euclid	Leland	Meritor	Midland	Spicer	Sirco
PROWB001A	08-108842/46	-	E3895SHD E4515UHD	K-304 K-304K	KIT 8014HD	C6867 CQ6867	-	QK-2SHD
PROWB002	08-104200	M-K10 M-K99	E1887ASHD E-4311EHD	K-42 K-119	R507002 MKT4311EHDK	C67319 CQ67319	HK24SLM HK24SDLM	EK-1HD
PROWB003	08-109131/35	M-K42	E3710SHD E-4515XHD	K-330	R507010 MKT4515XHDK	C66914 CQ66914	HK34SD	XK-3HD
PROWB004	-	M-K2 M-K7	E1816SHD E-4515PHD	K-45 K-116	R509001 MKT4515PHDK	C67319 CQ67319	HK14SD	TK-4HD
PROWB005	08-111300	M-K77	E5139 E-1308E	K-263	R507004 MKT1308E	C66917 CQ66917	HK54	EF-1
PROWB006	08-116000/04	M-K98	E-9064 E-4702	K-318 K-318K	KIT 8824HD MKT4702KTK	C65642 CQ65642	HK66XLS	RF-5
PROWB008	08-115400/05	-	E-7899	-	R508030	-	-	RF-3A
PROWB009	08-114800	M-K84	E-5481A E-4709ES	K-295	R507057 MKT4709ES	C65481 CQ65481	HK63	ES-1
PROWB015	08-111630/35	M-K106	E-9644	K334 K334K	KIT 8081	CQ66887	HK74XLS	MF-2
PROWB017	08-104700	M-K112	E-10875	K369	R507095	-	HK58XLS	LB-3D
PROWB021	08-107400	M-K12	E-2402HD	K-352	R507015	CQ67398	HK43XLS M12LK101X	LB-1
PROWB027	08-114601	M-K83	E-3782	K-279	R507076	CQ69002	HK47XLS-125	LB-6
PROWB041	08-110702	-	E-6879	K-265	KIT 1125	CQ69003	HK50	RF-2ARK
PROWB046	08-114900	M-K105	E-10244/S E-4709E	K-375	R507064 MKT4709ES2	CQ65477	HK61/SD/XLS	ES-2
PROWB047	08-108830/34	M-K39 M-K72	E2769SHD E4515QHD	K-329 K-332	KIT 8000HD	C66867 CQ66867	HK29XLS	QK-1HD

AXL

Brakes

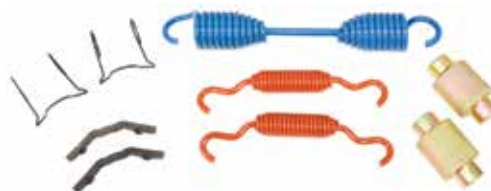


Brake Hardware Kits

Minor Kit

PROWB001A

Qty	Description
2	Retainer
2	Spring
1	Heavy Duty Spring
2	Pin
2	Roller



Size: 16-1/2 in.
Fit: Meritor Q, Q+, Dana FC, XLII,
 INTRAAX XLS - FMSI 4707, 4711, 4718,
 4720, 4514g, 4524B, 4551B

Pro-Par

Brake Hardware Kits

AXL

Brakes

PROWB002

Qty	Description
2	Roller
2	Spring
2	Roller
1	Heavy Duty Spring



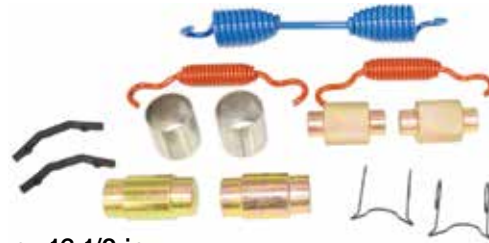
Size: 16-1/2 in.
Fit: Eaton Single Anchor Pin Brake
- FMSI 4223A, 4311E, 4317G

Pro-Par

Heavy Duty

PROWB003

Qty	Description
2	Retainer
2	Heavy Duty Spring
2	Anchor Pin
1	Spring
2	Pin
2	Bushing
2	Roller

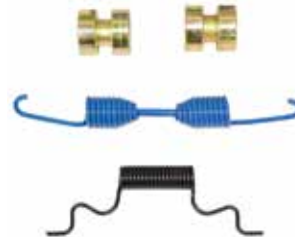


Size: 16-1/2 in.
Fit: Fruehauf Pro-Par Late Model XEM Brake
- FMSI 4515X, 4551B

Pro-Par

PROWB005

Qty	Description
1	Spring
2	Roller
1	Spring



Size: 15 in.
Fit: Eaton EB & ES Single Anchor Pin Front Brake
- FMSI 1308E, 1443TT

Pro-Par

PROWB006

Qty	Description
2	Anchor Pin
2	Retainer
2	Spring
2	Pin
2	Bushing
2	Roller
1	Spring



Size: 15 in.
Fit: Meritor Q+ Front & Drive Axle Brake
- FMSI 4702, 4703, 4704, 4705, 4710

Pro-Par

Brake Hardware Kits

AXL

Brakes

PROWB009

Qty	Description
2	Roller
2	Retainer
1	Spring
2	Spring



Size: 16-1/2 in.
Fit: Eaton ES Extended Service Brake
- FMSI 4709, 4719

Pro-Par

PROWB015

Qty	Description
2	Anchor Pin
2	Retainer
2	Spring
1	Spring
2	Pin
2	Bushing
2	Roller



Size: 16-1/2 in.
Fit: Mack with Meritor Q Front Brake
- FMSI 4715, 4720, 4514G, 4524B

Pro-Par

PROWB017

Qty	Description
2	Anchor Pin
2	Roller Pin
2	Roller
2	Spring
1	Spring
2	Lock
2	Pin
2	Bushing (Stainless)



Size: 12-1/4 in.
Fit: Dexter PQ Brake
- FMSI 4591, 4692

Pro-Par

PROWB026

Qty	Description
2	Anchor Pin
2	Roller Pin
2	Roller Pin
2	Spring
1	Spring
4	Lock
2	Pin
2	Bushing



Size: 12-1/4 in.
Fit: Meritor "Q" Brake
- FMSI

Pro-Par

Brake Hardware Kits

AXL

Brakes

PROWB046

Qty	Description
2	Roller
2	Retainer
1	Spring
2	Spring



Size: 16-1/2 in.
 Fit: Eaton ES-II Extended Service Brake
 - FMSI 4709E2, 4719, 4725, 4726

Pro-Par

Major Kit

PROWB047

Qty	Description
2	Anchor Pin
2	Retainer
2	Spring
1	Heavy Duty Spring
2	Pin
2	Bushing
2	Roller



Size: 16-1/2 in. x 7 in.
 Fit: Meritor Q & Q+
 - FMSI 4707, 4711, 4715, 4718, 4720, 4514G, 4515Q, 4515E, 4515F5, 4524B, 4551B, 4644B

Pro-Par

PROWB050

Qty	Description
4	Spring
2	Spring
2	Pin
2	Roller



Size: 16-1/2 in.
 Fit: "Q", "Q-Plus", "FC", "XLII", "INTRAAX"
 - FMSI

Pro-Par



Brake Hardware Accessories

AXL

Brakes

Guide Pin Kit
BEN803114

Bendix

Brake Roller
FRU330733

Fruehauf

For Pro-Par Axle

Spring Pin
FRU583015

Fruehauf

For Pro-Par Axle

Roller Retainer
FRUACD2233-1

Fruehauf

For Pro-Par Axle

Washer
FRUACD2813-1

Fruehauf

For Pro-Par Axle

Return Spring
FRUACF3079-1

Fruehauf

For Pro-Par Axle

Anchor Pin
FRUACF3378-1

Fruehauf

For Pro-Par Axle

Return Spring
FRUACF6414-1

Fruehauf

For Pro-Par Axle



Brake Hardware Accessories

AXL

Brakes

Brake Roller
MTR1259N274

Meritor



Roller Retainer
SIRB151

Sirco



Application: Use with B586, B611, B911 & B941 Rollers

Return Spring
SIRB349

Sirco



Length: 8-3/8 in.

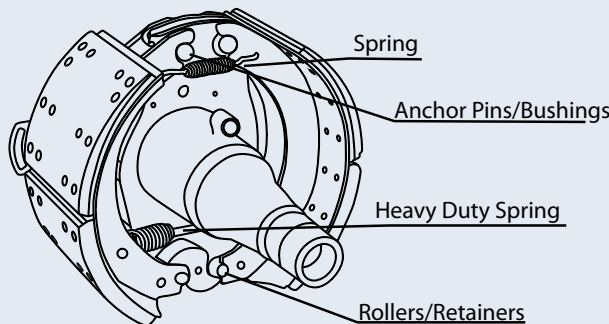
Anchor Pin Bushing
SIRB888

Sirco



Material: Carbon Steel
Size: 1-15/32 in.

Quick Reference
Brake Hardware



Brake Shoes

Relined Brake Shoes

	FMSI#	Lining	Application
ABXE4515QEN	4515Q	6008	16-1/2 in. x 7 in. Meritor Q
ABXE4515XEX	4515X	685	16-1/2 in. x 7 in. Fruehauf XEM 3rd Generation
ABXE4702QEN	4702	6008	15 in. x 4 in. Meritor Q Plus Front
ABXE4702QEX	4702	685	15 in. x 4 in. Meritor Q Plus Front
ABXE4707QEN	4707	6008	16-1/2 in. x 7 in. Meritor Q Plus, Spicer XTRALIFE II & Hend. INTRAAX
ABXE4707QEX	4707	685	16-1/2 in. x 7 in. Meritor Q Plus, Spicer XTRALIFE II & Hend. INTRAAX
ABXE4707QSDA	4707	6098	16-1/2 in. x 7 in. Meritor Q Plus, Spicer XTRALIFE II & Hend. INTRAAX
ABXN4707QEN	4707Q	6008	16-1/2 in. x 7 in. Meritor Q Plus, Spicer XTRALIFE II & Hend. INTRAAX
ABXE4711QRN	4711	6260	16-1/2 in. x 8-5/8 in. Meritor Q Plus, Spicer XTRALIFE II & Hend. INTRAAX
ABXE4720QRN	4720	6260	16-1/2 in. x 5 in. Meritor Q Plus & Spicer XTRALIFE II



(ABXE4720QRN)



(ABXE4707QRN)

ABEX

Brake Shoe Kit

	FMSI#	Lining	Application
HENS-31962-3		23K	12-1/4 in. x 7-1/2 in. HXS

Hendrickson

Brake Shoes

	FMSI#	Lining	Application
MTRPSMA2124515Q	4515Q	MA212	16-1/2 in. x 7 in. Meritor Q
MTRKEG4707QP	4707Q	EG	16-1/2 in. x 7 in. Meritor Q+
MTRKMA2124707QP	4707Q	MA212	16-1/2 in. x 7 in. Meritor Q+
MTRPKSMA2124707QP	4707Q	MA212	16-1/2 in. x 7 in. Meritor Q+
MTRPKSMA2124707QPG	4707Q	MA212	16-1/2 in. x 7 in. Meritor Q+
MTRPSMA2124707QP	4707Q	MA212	16-1/2 in. x 7 in. Meritor Q+
MTRSNIMG14711QP	4711Q	MG1	16-1/2 in. x 8-5/8 in. Meritor Q+



(MTRPKSMA2124707QP)



(MTRPSMA2124707QP)

Meritor

Brake Shoe Kit

	FMSI#	Lining	Application
STEWK4515QCXLBL	4515Q	20K	Premium, Crest XL with B-Lock
STEWKS4707QCXLBL	4707Q	20K	Premium, Crest XL with B-Lock

Stemco

Brake Shoes

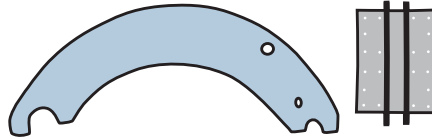
AXL

Brakes

12-1/4 in. Web 2

FMSI# 4692Q2 - 12-1/4 in. x 7-1/2 in.

Spicer U



New Brake Shoe

PROBSN4692Q220STD
PROBSN4692Q220PR
PROBSN4692Q223STD
PROBSN4692Q223PR

New Brake Shoe Kit*

PROBKN4692Q220STD
PROBKN4692Q220PR
PROBKN4692Q223STD
PROBKN4692Q223PR

Hardware Kit

Trailer Axle
PROWB027

Relined Brake Shoe

PROBSE4692Q220STD
PROBSE4692Q220PR
PROBSE4692Q223STD
PROBSE4692Q223PR
PROBSE4692Q225HDC

Relined Brake Shoe Kit*

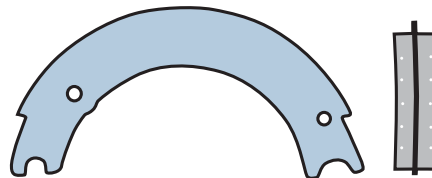
PROBKE4692Q220STD
PROBKE4692Q220PR
PROBKE4692Q223STD
PROBKE4692Q223PR
PROBKE4692Q225HDC

Pro-Par

15 in. Web 1

FMSI# 1308E - 15 in. x 4 in.

Eaton Front



New Brake Shoe

PROBSN1308E20STD
PROBSN1308E20PR
PROBSN1308E23STD
PROBSN1308E23PR

New Brake Shoe Kit*

PROBKN1308E20STD
PROBKN1308E20PR
PROBKN1308E23STD
PROBKN1308E23PR

Hardware Kit

Steering Axle
PROWB005

Relined Brake Shoe

PROBSE1308E20STD
PROBSE1308E20PR
PROBSE1308E23STD
PROBSE1308E23PR
PROBSE1308E25HDC

Relined Brake Shoe Kit*

PROBKE1308E20STD
PROBKE1308E20PR
PROBKE1308E23STD
PROBKE1308E23PR
PROBKE1308E25HDC

Pro-Par

Stocking Part Number
 Quote Part Number

*Each Brake Shoe Kit comes boxed with
 (2) brake shoes and (1) hardware kit.

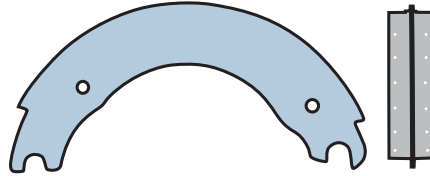
Brakes

Brake Shoes

15 in. Web 1

FMSI# 1308Q - 15 in. x 4 in.

Meritor Q Front



New Brake Shoe

- PROBSN1308Q20STD**
- PROBSN1308Q20PR**
- PROBSN1308Q23STD**
- PROBSN1308Q23PR**

New Brake Shoe Kit*

- PROBKN1308Q20STD**
- PROBKN1308Q20PR**
- PROBKN1308Q23STD**
- PROBKN1308Q23PR**

Hardware Kit

Steering Axle
PROWB008

Steering Axle
PROWB039

Relined Brake Shoe

- PROBSE1308Q20STD**
- PROBSE1308Q20PR**
- PROBSE1308Q23STD**
- PROBSE1308Q23PR**
- PROBSE1308Q25HDC**

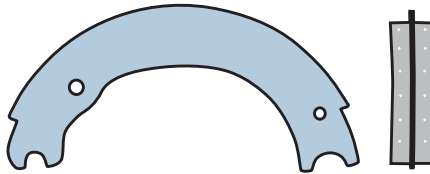
Relined Brake Shoe Kit*

- PROBKE1308Q20STD**
- PROBKE1308Q20PR**
- PROBKE1308Q23STD**
- PROBKE1308Q23PR**
- PROBKE1308Q25HDC**

Pro-Par

FMSI# 1443TT - 15 in. x 4 in.

Eaton ES Front



New Brake Shoe

- PROBSN1443E20STD**
- PROBSN1443E20PR**
- PROBSN1443E23STD**
- PROBSN1443E23PR**

New Brake Shoe Kit*

- PROBKN1443E20STD**
- PROBKN1443E20PR**
- PROBKN1443E23STD**
- PROBKN1443E23PR**

Hardware Kit

Steering Axle
PROWB005

Relined Brake Shoe

- PROBSE1443E20STD**
- PROBSE1443E20PR**
- PROBSE1443E23STD**
- PROBSE1443E23PR**
- PROBSE1443E25HDC**

Relined Brake Shoe Kit*

- PROBKE1443E20STD**
- PROBKE1443E20PR**
- PROBKE1443E23STD**
- PROBKE1443E23PR**
- PROBKE1443E25HDC**

Pro-Par

Stocking Part Number
Quote Part Number

*Each Brake Shoe Kit comes boxed with (2) brake shoes and (1) hardware kit.

AXL

Brakes



Brake Shoes

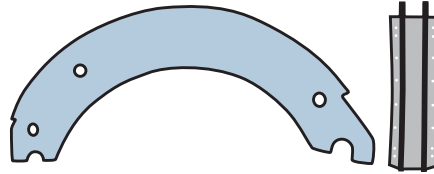
AXL

Brakes

15 in. Web 2

FMSI# 4702Q - 15 in. x 4 in.

Meritor Q Plus Front



New Brake Shoe

PROBSN4702Q20STD
PROBSN4702Q20PR
PROBSN4702Q23STD
PROBSN4702Q23PR

New Brake Shoe Kit*

PROBKN4702Q20STD
PROBKN4702Q20PR
PROBKN4702Q23STD
PROBKN4702Q23PR

Hardware Kit

Steering Axle
PROWB006

Relined Brake Shoe

PROBSE4702Q20STD
PROBSE4702Q20PR
PROBSE4702Q23STD
PROBSE4702Q23PR
PROBSE4702Q25HDC

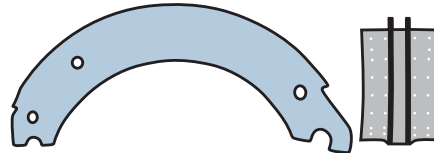
Relined Brake Shoe Kit*

PROBKE4702Q20STD
PROBKE4702Q20PR
PROBKE4702Q23STD
PROBKE4702Q23PR
PROBKE4702Q25HDC

Pro-Par

FMSI# 4710Q - 15 in. x 8-5/8 in.

Meritor Q Plus Front



New Brake Shoe

PROBSN4710Q20STD
PROBSN4710Q20PR
PROBSN4710Q23STD
PROBSN4710Q23PR

New Brake Shoe Kit*

PROBKN4710Q20STD
PROBKN4710Q20PR
PROBKN4710Q23STD
PROBKN4710Q23PR

Hardware Kit

Trailer Axle
PROWB027

Relined Brake Shoe

PROBSE4710Q20STD
PROBSE4710Q20PR
PROBSE4710Q23STD
PROBSE4710Q23PR
PROBSE4710Q25HDC

Relined Brake Shoe Kit*

PROBKE4710Q20STD
PROBKE4710Q20PR
PROBKE4710Q23STD
PROBKE4710Q23PR
PROBKE4710Q25HDC

Pro-Par

Stocking Part Number
 Quote Part Number

*Each Brake Shoe Kit comes boxed with
 (2) brake shoes and (1) hardware kit.

Brakes

140

800.621.7949

= Key Items

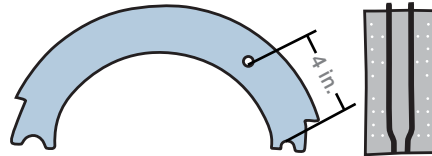
www.AuroraParts.com

Brake Shoes

16-1/2 in. Web 2

FMSI# 4311E - 16-1/2 in. x 7 in.

Eaton Low Mount



New Brake Shoe

PROBSN4311E20STD
PROBSN4311E20PR
PROBSN4311E23STD
PROBSN4311E23PR

New Brake Shoe Kit*

PROBKN4311E20STD
PROBKN4311E20PR
PROBKN4311E23STD
PROBKN4311E23PR

Hardware Kit

PROWB002

Relined Brake Shoe

PROBSE4311E20STD
PROBSE4311E20PR
PROBSE4311E23STD
PROBSE4311E23PR
PROBSE4311E25HDC

Relined Brake Shoe Kit*

PROBKE4311E20STD
PROBKE4311E20PR
PROBKE4311E23STD
PROBKE4311E23PR
PROBKE4311E25HDC

Pro-Par

AXL

Brakes



More Information

Pro-Par Shoes & Kits

Bold Part Numbers - Stocking

All numbers listed in bold black are priced and available for ordering. These are the most common brakes and brake kits used by Aurora Dealers.

Gray Part Numbers - Quote Request

All numbers listed in gray are available upon request. Contact your Regional Sales Manager to get pricing and lead times.

Pro-Par Shoe Lining Colors



20K Standard
Green



20K Premium
Blue



23K Standard
Orange



23K Premium
Gold



25K HDC Heavy Duty Combo
Dark Red

Brake Shoes

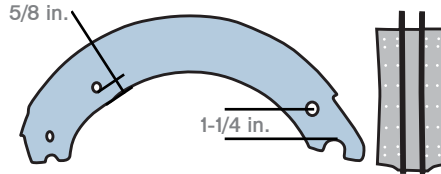
AXL

Brakes

16-1/2 in. Web 2

FMSI# 4515Q - 16-1/2 in. x 7 in.

Meritor Q



New Brake Shoe

PROBSN4515Q20STD
PROBSN4515Q20PR
PROBSN4515Q23STD
PROBSN4515Q23PR

New Brake Shoe Kit*

PROBKN4515Q20STD
PROBKN4515Q20PR
PROBKN4515Q23STD
PROBKN4515Q23PR

Hardware Kit

Trailer Axle

PROWB047

PROWB001LD

Trailer Axle

PROWB001A

Relined Brake Shoe

PROBSE4515Q20STD
PROBSE4515Q20PR
PROBSE4515Q23STD
PROBSE4515Q23PR
PROBSE4515Q25HDC

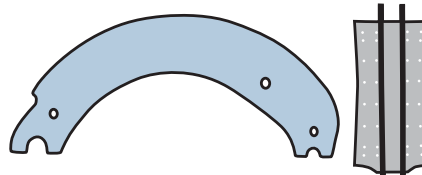
Relined Brake Shoe Kit*

PROBKE4515Q20STD
PROBKE4515Q20PR
PROBKE4515Q23STD
PROBKE4515Q23PR
PROBKE4515Q25HDC

Pro-Par

FMSI# 4515X - 16-1/2 in. x 7 in.

Fruehauf XEM 3rd Generation



New Brake Shoe

PROBSN4515X20STD
PROBSN4515X20PR
PROBSN4515X23STD
PROBSN4515X23PR

New Brake Shoe Kit*

PROBKN4515X20STD
PROBKN4515X20PR
PROBKN4515X23STD
PROBKN4515X23PR

Hardware Kit

Trailer Axle

PROWB003

Relined Brake Shoe

PROBSE4515X20STD
PROBSE4515X20PR
PROBSE4515X23STD
PROBSE4515X23PR
PROBSE4515X25HDC

Relined Brake Shoe Kit*

PROBKE4515X20STD
PROBKE4515X20PR
PROBKE4515X23STD
PROBKE4515X23PR
PROBKE4515X25HDC

Pro-Par

Stocking Part Number
Quote Part Number

*Each Brake Shoe Kit comes boxed with (2) brake shoes and (1) hardware kit.

Brakes

142

800.621.7949

= Key Items

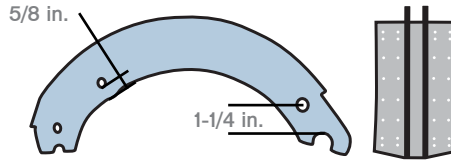
www.AuroraParts.com

Brake Shoes

16-1/2 in. Web 2

FMSI# 4551B - 16-1/2 in. x 8-5/8 in.

Meritor Q



New Brake Shoe

PROBSN4551Q20STD
PROBSN4551Q20PR
PROBSN4551Q23STD
PROBSN4551Q23PR

New Brake Shoe Kit*

PROBKN4551Q20STD
PROBKN4551Q20PR
PROBKN4551Q23STD
PROBKN4551Q23PR

Hardware Kit

Trailer Axle
PROWB047

PROWB001LD

Trailer Axle
PROWB001A

Relined Brake Shoe

PROBSE4551Q20STD
PROBSE4551Q20PR
PROBSE4551Q23STD
PROBSE4551Q23PR
PROBSE4551Q25HDC

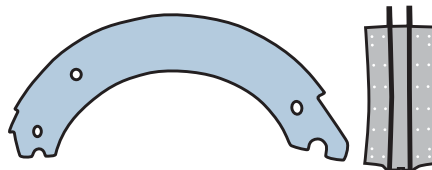
Relined Brake Shoe Kit*

PROBKE4551Q20STD
PROBKE4551Q20PR
PROBKE4551Q23STD
PROBKE4551Q23PR
PROBKE4551Q25HDC

Pro-Par

FMSI# 4707Q - 16-1/2 in. x 7 in.

Meritor Q Plus, Spicer XTRALIFE II & Hendrickson INTRAAX



New Brake Shoe

PROBSN4707Q20STD
PROBSN4707Q20PR
PROBSN4707Q23STD
PROBSN4707Q23PR

New Brake Shoe Kit*

PROBKN4707Q20STD
PROBKN4707Q20PR
PROBKN4707Q23STD
PROBKN4707Q23PR

Hardware Kit

Trailer Axle
PROWB047

Trailer Axle
PROWB01A

Relined Brake Shoe

PROBSE4707Q20STD
PROBSE4707Q20PR
PROBSE4707Q23STD
PROBSE4707Q23PR
PROBSE4707Q25HDC

Relined Brake Shoe Kit*

PROBKE4707Q20STD
PROBKE4707Q20PR
PROBKE4707Q23STD
PROBKE4707Q23PR
PROBKE4707Q25HDC
PROBKE4707Q23TFT

Pro-Par

Definition

Pro-Par Shoe Lining

TFT:

Transfer Film Technology - 23K, 165AL, high torque, high performance friction formulation utilizing aramid (Kevlar) fibers. Better lining/drum contact through greater conformability.

Brake Shoes

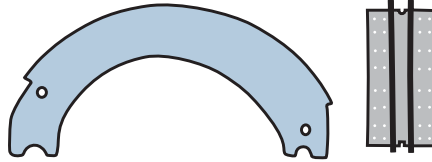
AXL

Brakes

16-1/2 in. Web 2

FMSI# 4709E2 - 16-1/2 in. x 7 in.

Spicer ESII



New Brake Shoe

PROBSN4709E220STD
PROBSN4709E220PR
PROBSN4709E223STD
PROBSN4709E223PR

New Brake Shoe Kit*

PROBKN4709E220STD
PROBKN4709E220PR
PROBKN4709E223STD
PROBKN4709E223PR

Hardware Kit

Drive Axle
PROWB046

Relined Brake Shoe

PROBSE4709E220STD
PROBSE4709E220PR
PROBSE4709E223STD
PROBSE4709E223PR
PROBSE4709E225HDC

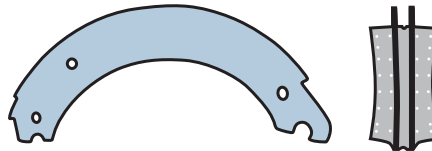
Relined Brake Shoe Kit*

PROBKE4709E220STD
PROBKE4709E220PR
PROBKE4709E223STD
PROBKE4709E223PR
PROBKE4709E225HDC

Pro-Par

FMSI# 4711Q - 16-1/2 in. x 8-5/8 in.

Meritor Q Plus, Spicer XTRALIFE II
 & Hendrickson INTRAAX



New Brake Shoe

PROBSN4711Q20STD
PROBSN4711Q20PR
PROBSN4711Q23STD
PROBSN4711Q23PR

New Brake Shoe Kit*

PROBKN4711Q20STD
PROBKN4711Q20PR
PROBKN4711Q23STD
PROBKN4711Q23PR

Hardware Kit

Trailer Axle
PROWB047

Trailer Axle
PROWB001A

Relined Brake Shoe

PROBSE4711Q20STD
PROBSE4711Q20PR
PROBSE4711Q23STD
PROBSE4711Q23PR
PROBSE4711Q25HDC

Relined Brake Shoe Kit*

PROBKE4711Q20STD
PROBKE4711Q20PR
PROBKE4711Q23STD
PROBKE4711Q23PR
PROBKE4711Q25HDC

Pro-Par

Stocking Part Number
 Quote Part Number

*Each Brake Shoe Kit comes boxed with
 (2) brake shoes and (1) hardware kit.

Brakes

144

800.621.7949

= Key Items

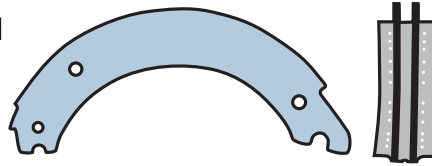
www.AuroraParts.com

Brake Shoes

16-1/2 in. Web 2

FMSI# 4715Q - 16-1/2 in. x 6 in.

Meritor Q Plus & Spicer XTRALIFE II



New Brake Shoe

PROBSN4715Q20STD
PROBSN4715Q20PR
PROBSN4715Q23STD
PROBSN4715Q23PR

New Brake Shoe Kit*

PROBKN4715Q20STD
PROBKN4715Q20PR
PROBKN4715Q23STD
PROBKN4715Q23PR

Hardware Kit

Trailer Axle

PROWB047

Steering Axle

PROWB015

Relined Brake Shoe

PROBSE4715Q20STD
PROBSE4715Q20PR
PROBSE4715Q23STD
PROBSE4715Q23PR
PROBSE4715Q25HDC

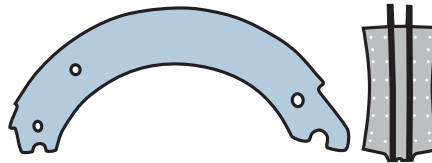
Relined Brake Shoe Kit*

PROBKE4715Q20STD
PROBKE4715Q20PR
PROBKE4715Q23STD
PROBKE4715Q23PR
PROBKE4715Q25HDC

Pro-Par

FMSI# 4718Q - 16-1/2 in. x 7 in.

Meritor Q Plus



New Brake Shoe

PROBSN4718Q20STD
PROBSN4718Q20PR
PROBSN4718Q23STD
PROBSN4718Q23PR

New Brake Shoe Kit*

PROBKN4718Q20STD
PROBKN4718Q20PR
PROBKN4718Q23STD
PROBKN4718Q23PR

Hardware Kit

Trailer Axle

PROWB047

Trailer Axle

PROWB001A

Relined Brake Shoe

PROBSE4718Q20STD
PROBSE4718Q20PR
PROBSE4718Q23STD
PROBSE4718Q23PR
PROBSE4718Q25HDC

Relined Brake Shoe Kit*

PROBKE4718Q20STD
PROBKE4718Q20PR
PROBKE4718Q23STD
PROBKE4718Q23PR
PROBKE4718Q25HDC

Pro-Par

Stocking Part Number
 Quote Part Number

*Each Brake Shoe Kit comes boxed with
 (2) brake shoes and (1) hardware kit.

AXL

Brakes



Brake Shoes

AXL

Brakes

Additional Shoes

	FMSI#	Lining	Application
PROBSE1477TMHS	1477	Hi Temp	16-9/16 in. x 7-3/16 in., Intermodal
PROBSE4591DX23PR	4591	23K Premium	12-1/4 in. x 7-1/2 in.
PROBSE4591SF23PR	4591SF	23K Premium	12-1/4 in. x 7-1/2 in., Standard Forge
PROBSE4707Q23HD	4707Q+	23K Premium	Meritor Q Plus, Spicer XTRALIFE II & Hendrickson INTRAAX
PROBSE4709E20PR	4709	20K Premium	16-1/2 in. x 7 in., Spicer ES
PROBSE4709E23PR	4709	23K Premium	16-1/2 in. x 7 in., Spicer ES
PROBSE4720Q23PR	4720Q	23K Premium	16-1/2 in. x 5 in., Mertior Q Plus, Spicer XTRALIFE II
PROBSE4726E223PR	4726E2	23K Premium	16-1/2 in. x 8-1/2 in., Spicer ES 11



(PROBSE1477TMHS)



(PROBSE4591DX23PR)



(PROBSE4707Q23HD)

Pro-Par

Additional Kits

	FMSI#	Lining	Application
PROBKE4726E220PR[^]	4726E2	20K Premium	16-1/2 in. x 8-5/8 in., Spicer ES2
PROBKE4670Q23PR[^]	4670Q	23K Premium	12-1/4 in. x 7-1/2 in., Meritor Q
PROBKE4708Q20PR[^]	4708Q	20K Premium	16-1/2 in. x 7 in., Spicer ES2
PROBKE4709E20STD[^]	4709	20K Standard	16-1/2 in. x 7 in., Spicer ES
PROBKE4719E220PR[^]	4719E2	20K Premium	16-1/2 in. x 5 in., Spicer ES 11
PROBKE4720Q20PR[^]	4720Q	20K Premium	16-1/2 in. x 5 in., Mertior Q Plus, Spicer XTRALIFE II
PROBKE4720Q23PR[^]	4720Q	23K Premium	16-1/2 in. x 5 in., Mertior Q Plus, Spicer XTRALIFE II



(PROBKE4726E220PR)



(PROBKE4670Q23PR)



(PROBKE4708Q20PR)



(PROBKE4709E20STD)



(PROBKE4719E220PR)



(PROBKE4720Q20PR)

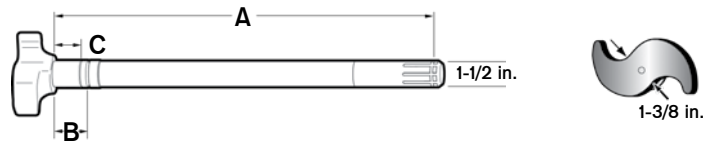
Pro-Par

[^]Each Brake Shoe Kit comes boxed with (2) brake shoes and (1) hardware kit.

Camshafts

1-1/2 in. - 10 Spline

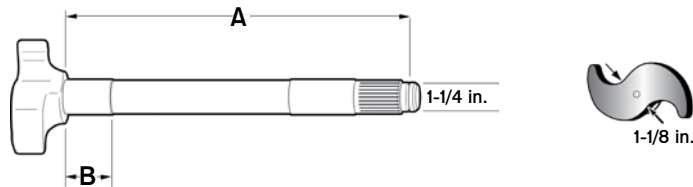
Multi-Application 16-1/2 in. Brakes



	Head End	Cross Reference	A	B	C	Cam Repair Kit(s):
PROWC506L	LH	Meritor 2210-F-5414; Spicer M-16WK-110-5; Euclid E1425	20-3/8 in.	2-7/32 in.	1-5/8 in.	PROWCR1402, PROWCR1410, PROWCR1417, PROWCR1422
PROWC507R	RH	Meritor 2210-E-5413; Spicer M-16WK-111-5; Euclid E1424				
PROWC522L	LH	Eaton B-1691-25; Spicer M-16WK-110-9; Euclid E1095	23-7/16 in.	2-7/32 in.	1-5/8 in.	
PROWC523R	RH	Eaton B-1691-26; Spicer M-16WK-111-9; Euclid E1094				

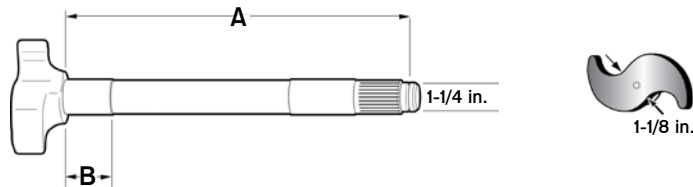
1-1/2 in. - 28 Spline

Eaton Trailer Axles 16-1/2 in. "ES" Brakes



	Head End	Cross Reference	A	B	Cam Repair Kit(s):
PROWC226L	LH	Eaton 810025; Euclid E9059	23-11/16 in.	2-7/32 in.	PROWCR1420
PROWC227R	RH	Eaton 810026; Euclid E9060			

Hendrickson "XLS" Trailer Axles 16-1/2 in. Brakes



	Head End	Cross Reference	A	B	Cam Repair Kit(s):
HENS-24636-1L	LH	Pro-Par PROWC2023L	11-1/32 in.	2-5/16 in.	HENS-23974, HENS-28890, PROWCR1439, PROWCR1439HD, PROWCR1448-1
HENS-24636-1R	RH	Pro-Par PROWC2023R			
PROWC2032L	LH	Euclid E11866; Hendrickson S-24636-1L	11-1/32 in.	2-5/16 in.	
PROWC2033R	RH	Euclid E11867; Hendrickson S-24636-1R			

AXL

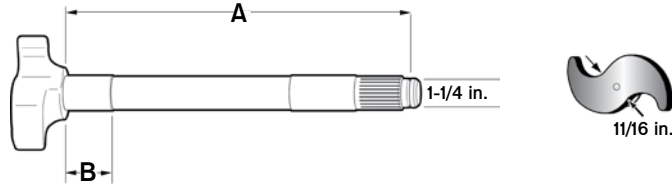
Camshafts



Camshafts

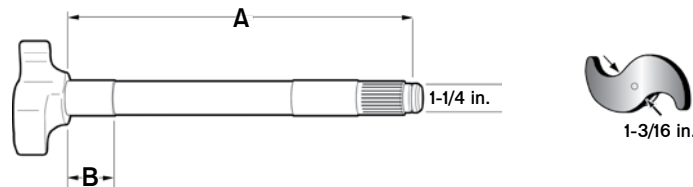
1-1/2 in. - 28 Spline

Meritor Trailer Axles 12-1/4 in. "Q" Brakes



	Head End	Cross Reference	A	B	Cam Repair Kit(s):
PROWC372L	LH	Meritor 2210-E-6167; Euclid E9087	23-7/32 in.	1-23/32 in.	PROWCRI444
PROWC373R	RH	Meritor 2210-F-6168; Euclid E9088			

Meritor Trailer Axles 16-1/2 in. "Q+" Brakes



	Head End	Cross Reference	A	B	Cam Repair Kit(s):
PROWCQ312L	LH	Meritor 2210-W-7537; Euclid E9661	11-19/32 in.	1-13/16 in.	PROWCRI425, PROWCRI430, PROWCRI433, PROWCRI434
PROWCQ313R	RH	Meritor 2210-V-7536; Euclid E9662			
PROWCQ350L	LH	Meritor 2210-C-6867; Euclid E5506	17-5/16 in.	1-63/64 in.	PROWCRI442, PROWCRI442HD, PROWCRI443, MTRKIT-8091, MTRKIT-8078A, MTRKIT8289
PROWCQ351R	RH	Meritor 2210-B-6866; Euclid E5507			
MTR2210C6867	LH	Pro-Par PROWCQ350L	17-3/8 in.	1-63/64 in.	PROWCRI442, PROWCRI442HD, PROWCRI443, MTRKIT-8091, MTRKIT-8078A, MTRKIT8289
MTR2210B6866	RH	Pro-Par PROWCQ351R			
PROWCQ364L	LH	Meritor 2210-R-8156; Euclid E2441B	17-5/16 in.	1-45/64 in.	PROWCRI442, PROWCRI442HD, PROWCRI443, MTRKIT-8091, MTRKIT-8078A, MTRKIT8289
PROWCQ365R	RH	Meritor 2210-Q-8155; Euclid E2442B			
PROWCQ352L	LH	Meritor 2210-G-6871; Euclid E5508	20-13/32 in.	1-63/64 in.	PROWCRI442, PROWCRI442HD, PROWCRI443, MTRKIT-8091, MTRKIT-8078A, MTRKIT8289
PROWCQ353R	RH	Meritor 2210-F-6870; Euclid E5509			
PROWCQ366L	LH	Meritor 2210-T-8158; Euclid E2443B	20-13/32 in.	1-45/64 in.	PROWCRI442, PROWCRI442HD, PROWCRI443, MTRKIT-8091, MTRKIT-8078A, MTRKIT8289
PROWCQ367R	RH	Meritor 2210-S-8157; Euclid E2444B			
PROWCQ354L	LH	Meritor 2210-E-6869; Euclid E5510	24-1/16 in.	1-63/64 in.	PROWCRI442, PROWCRI442HD, PROWCRI443, MTRKIT-8091, MTRKIT-8078A, MTRKIT8289
PROWCQ355R	RH	Meritor 2210-D-6868; Euclid E5511			
MTR2210E6869	LH	Pro-Par PROWCQ354L	24-1/16 in.	1-63/64 in.	PROWCRI442, PROWCRI442HD, PROWCRI443, MTRKIT-8091, MTRKIT-8078A, MTRKIT8289
MTR2210D6868	RH	Pro-Par PROWCQ355R			
PROWCQ368L	LH	Meritor 2210-V-8160; ; Euclid E2445B	24-1/16 in.	1-45/64 in.	PROWCRI442, PROWCRI442HD, PROWCRI443, MTRKIT-8091, MTRKIT-8078A, MTRKIT8289
PROWCQ369R	RH	Meritor 2210-U-8159; Euclid E2446B			

AXL

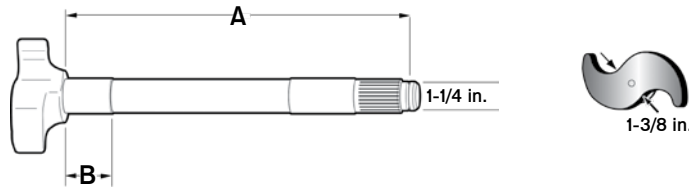
Camshafts



Camshafts

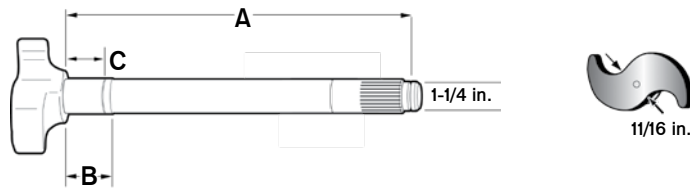
1-1/2 in. - 28 Spline

Meritor Trailer Axles 16-1/2 in. Brakes



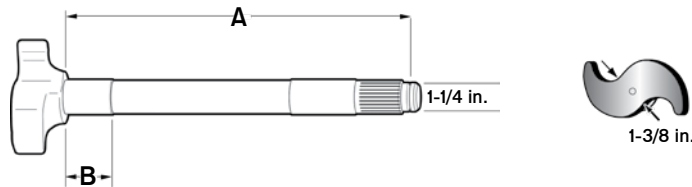
Head End	Cross Reference	A	B	Cam Repair Kit(s):
PROWC504L	LH Meritor 2210-M-4329; Euclid E2441A			
PROWC505R	RH Meritor 2210-L-4328; Euclid E2442A	17-5/16 in.	1-23/32 in.	PROWCR1419, PROWCR1432, PROWCR1442
PROWC526L	LH Meritor 2210-R-4334; Euclid E2443A			
PROWC527R	RH Meritor 2210-Q-4333; Euclid E2444A	20-13/32 in.	1-23/32 in.	

Spicer Axles 12-1/4 in. Brakes (After Feb. 1996)



Head End	Cross Reference	A	B	C	Cam Repair Kit(s):
PROWC886L	LH Spicer M12WKL25-233; Euclid E10905L				
PROWC887R	RH Spicer M12WKR25-233; Euclid E10906R	23-1/8 in.	2-21/32 in.	2-7/32 in.	PROWCR1444

Spicer Trailer Axles 16-1/2 in. & 18 in. Brakes



Head End	Cross Reference	A	B	Cam Repair Kit(s):
PROWC422L	LH Spicer M-16WK104-24; Euclid E3856			
PROWC423R	RH Spicer M-16WK105-24; Euclid E3857	23-1/2 in.	2-7/32 in.	PROWCR1410, PROWCR1445

AXL

Camshafts



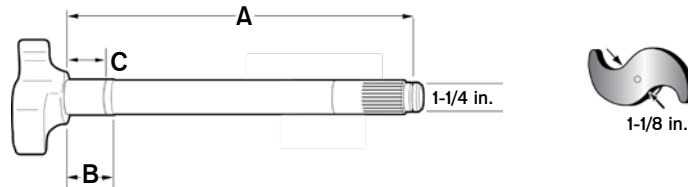
Camshafts

AXL

Camshafts

1-1/2 in. - 28 Spline

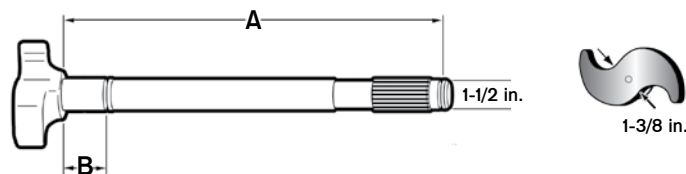
Spicer Trailer Axles 16-1/2 in. "XL" Brakes



	Head End	Cross Reference	A	B	C	Cam Repair Kit(s):
PROWC168L	LH	Spicer M16WKL25-175; Euclid E9731				
PROWC169R	RH	Spicer 216WKR25-175; Euclid E9732	17-3/8 in.	2-7/32 in.		PROWC1444
PROWC154L	LH	Spicer M16WKL20-205; Euclid E5524				
PROWC155R	RH	Spicer M16WKR20-205; Euclid E5525	20-3/8 in.	2-7/32 in.	1-5/8 in.	PROWC1410, PROWC1445
PROWC170L	LH	Spicer M16WKL25-205; Euclid E9733				
PROWC171R	RH	Spicer M16WKR25-205; Euclid E9734	20-3/8 in.	2-7/32 in.		PROWC1444
PROWC158L	LH	Spicer M16WKL20-236; Euclid E5526				
PROWC159R	RH	Spicer M16WKR20-236; Euclid E5527	23-1/2 in.	2-7/32 in.	1-5/8 in.	PROWC1410, PROWC1445
PROWC172L	LH	Spicer M16WKL25-236; Euclid E9735	23-1/2 in.	2-7/32 in.		PROWC1444
PROWC173R	RH	Spicer M16WKR25-236; Euclid E9736				
PROWC162L	LH	Spicer M16WKL20-242; Euclid E9100				
PROWC163R	RH	Spicer M16WKR20-242; Euclid E9101	24 in.	2-7/32 in.	1-5/8 in.	PROWC1410, PROWC1445
PROWC176L	LH	Spicer M16WKL25-242; Euclid E10909L				
PROWC177R	RH	Spicer M16WKR25-242; Euclid E10910R	24-1/8 in.	2-7/32 in.		
PROWC706L	LH	Spicer M16WKL25-264				PROWC1444
PROWC707R	RH	Spicer M16WKR25-264	26-1/4 in.	2-7/32 in.		

1-5/8 in. - 37 Spline

Fruehauf Axles 16-1/2 in. "Pro-Par" Brakes



	Head End	Cross Reference	A	B	Cam Repair Kit(s):
PROWC528L	LH	Fruehauf AXA-0420-1; Euclid E1563			
PROWC529R	RH	Fruehauf AXA-0420-2; Euclid E1564	16-1/8 in.	2-5/32 in.	PROWC1407, PROWC1408, FRUACF4024-900
PROWC512L	LH	Fruehauf AXA-0420-3; Euclid E2099			
PROWC513R	RH	Fruehauf AXA-0420-4; Euclid E2100	21-1/8 in.	2-5/32 in.	

Cam Repair Kits

DAN43-7118

Qty	Description
1	LH Bracket Assy
1	RH Bracket Assy
2	Lock Ring
2	Lock Ring
2	Lock Ring
2	Spider Bushing
2	Washer
2	Washer
2	Washer
2	Washer
8	Self Tapping Screw
4	Spider Seal



Brake Diameter: 16-1/2 in.
1-5/8 in. Spider

Bendix

DAN127808

Qty	Description
4	Bushing
4	Seal
2	Lock Ring



Brake Diameter: 16-1/2 in.
For Dana RF/RS Suspensions

Bendix

HENS-23974

Qty	Description
4	Seal
2	Lock
2	Bronze Bushing
6	Washer
2	Lock
4	Washer
2	Bracket
2	Washer



Brake Diameter: 16-1/2 in.
Hendrickson "INTRAAX" "HXS" Series

Hendrickson

Tech Tip

S-Cam Bushings

S-cam bushings must be checked at every reline. If either the bushing or s-cam itself is worn out, failure to repair/replace the s-cam will cause problems with the system.

Cam Repair Kits

AXL

Camshafts

Tube Kit

HENS-28890

Qty	Description
1	Tube
1	Washer
2	Washer
3	Washer
2	Lock Ring
4	Bolt
4	Nut
2	Bracket



Brake Diameter: 16-1/2 in.
Tube Size: 8-3/8 in.

Hendrickson

HENS-31964

Qty	Description
2	Bushing
4	Lock Ring
2	Snap Ring
8	Bolt
8	Nut
4	Seal
20	Washer



Hendrickson

HOL51830001

Qty	Description
8	Bolt
8	Nut
4	Seal
4	Snap Ring
10	Washer
2	Grease Fitting
2	Bracket Assy



Brake Diameter: 16-1/2 in.

SAF-Holland

HOL51830024

Qty	Description
8	Bolt
8	Nut
4	Seal
10	Washer
2	Bushing
4	Snap Ring
2	Grease Fitting
2	Bracket Assy



Brake Diameter: 16-1/2 in.

SAF-Holland

HENDRICKSON

SAF-Holland

Cam Repair Kits

MTRKIT8048

Qty	Description
2	Lock
4	Washer
2	Washer
2	Washer
2	Lock
2	Assembly
2	Lock
2	Bracket



Brake Diameter: 12-1/4 in. & 16-1/2 in. P & Q
Fit: E3520A , per Axle

Meritor

	Services
MTRKIT8078	1 Wheel
MTRKIT8078A	2 Wheels

Qty	Description
2	Lock Ring
4	Washer
8	Bolt
2	Bushing
2	Washer
2	Washer
2	Snap Ring
4	Seal
2	Retainer Assembly



(MTRKIT8078)

Brake Diameter: 16-1/2 in. Q

Meritor

MTRKIT8289

Qty	Description
1	Washer
1	Washer
1	Snap Ring
1	Bushing Retainer Assembly
4	Bolt
2	Seal



Brake Diameter: 16-1/2 in. Q
Services One Brake

Meritor

MTRKIT8091

Qty	Description
2	Lock Ring
4	Washer
8	Bolt
2	Bushing
2	Washer
2	Washer
2	Snap Ring
4	Seal
2	Retainer Assembly



Brake Diameter: 16-1/2 in.
Fit: Meritor Q & Q+ with Bolt-On Bushing

Meritor

AXL

Camshafts



Cam Repair Kits

AXL

Camshafts

PROWCR1403

Qty	Part Number	Description
2	PROWC8847	Lock
4	PROWC8831	Washer
2	PROWC8827	Washer
2	PROWC8848	Washer
4	PROWC8878	O-Ring
2	PROWC8843	Lock
2	PROWC8879	Bushing
2	PROWCBR1416	Assembly
2	PROWC8849	Lock



Brake Diameter: 16-1/2 in. & 12-1/4 in.
Fit: Meritor 4000-6000 Q Trailer Axle

Pro-Par

PROWCR1407

Qty	Part Number	Description
2	PROWC8841	Lock Ring
2	PROWC8824	Washer
6	PROWC8828	Washer
4	PROWC8805	Bushing
2	PROWC8843	Lock Ring
2	PROWC8858	Bushing



Brake Diameter: 12-1/4 in. & 16-1/2 in.
Fit: Fruehauf Pro-Par XEM & FQ Series

Pro-Par

Pro-Par Camshaft Guide

Camshaft / Cam Repair Kit / Slack Adjuster

Camshaft	Cam Repair Kit	Slack Adjuster Options	
PROWC052L	PROWCR1406	PROSA56142	
PROWC053R			
PROWC084L			
PROWC085R	PROWCR1410, PROWCR1445	- Auto 5 in., 6 in. Drive PROSA56143	
PROWC104L	PROWCR1412, PROWCR1418, PROWCR1445, PROWCR1426	- Auto 5-1/2 in., 6-1/2 in. Drive PROSA56215	
PROWC105R		- Auto 5-1/2 in. Straight PROSA56216	
PROWC130L	PROWCR1410, PROWCR1445	- Auto 6 in. Straight	
PROWC131R			
PROWC152L			
PROWC153R			
PROWC154L			
PROWC155R			
PROWC158L			
PROWC159R			
PROWC162L			
PROWC163R			
PROWC168L		PROWCR1444	- Auto 5-1/2 in. Straight PROSA56212
PROWC169R			- Auto 6 in. Straight

Camshaft	Cam Repair Kit	Slack Adjuster Options
PROWC170L	PROWCR1444	PROSA55073 - Auto 5-1/2 in. Straight PROSA56074 - Auto 6 in. Straight PROSA56140 - Auto 5 in., 6 in. Drive PROSA56144
PROWC171R		
PROWC172L		
PROWC173R		
PROWC176L		
PROWC177R		
PROWC2032L	PROWCR1439, PROWCR1439HD, PROWCR1448-1	- Auto 6 in. Drive Mack PROSA56175 - Auto 6 in. Straight PROSA56211
PROWC2033R	PROWCR1420	- Auto 5-1/2 in. Straight PROSA56212 - Auto 6 in. Straight
PROWC226L		
PROWC227R		
PROWC292L		PROSA56215 - Auto 5-1/2 in. Straight PROSA56216 - Auto 6 in. Straight
PROWC293R		



Pro-Par Camshaft Guide

Camshaft / Cam Repair Kit / Slack Adjuster

Camshaft	Cam Repair Kit	Slack Adjuster Options
PROWC372L	PROWCR1444	PROSA55073 / PROSA56211 - Auto 5-1/2 in. Straight
PROWC373R		
PROWC418L	PROWCR1410, PROWCR1445	PROSA56074 - Auto 6 in. Straight
PROWC419R		PROSA56175 - Auto 6 in. Straight
PROWC422L		PROSA56212 - Auto 6 in. Straight
PROWC423R		
PROWC502L		PROWCR1406, PROWCR1431Z
PROWC503R	PROSA6216 - Auto 6 in. Straight	
PROWC504L	PROWCR1419, PROWCR1432, PROWCR1442	PROSA55073 / PROSA56211 - Auto 5-1/2 in. Straight
PROWC505R		PROSA56074 / PROSA56175 - Auto 6 in. Straight
PROWC506L	PROWCR1402, PROWCR1410, PROWCR1417, PROWCR1422	PROSA56215 - Auto 5-1/2 in. Straight PROSA56216 - Auto 6 in. Straight
PROWC507R		
PROWC512L	PROWCR1407, PROWCR1408	PROSA56214 - Auto 6 in. Straight
PROWC513R		
PROWC522L	PROWCR1402, PROWCR1410, PROWCR1417, PROWCR1422	PROSA6215 - Auto 5-1/2 in. Straight PROSA56216 - Auto 6 in. Straight
PROWC523R		
PROWC526L	PROWCR1419, PROWCR1432, PROWCR1442	PROSA55073 / PROSA56211 - Auto 5-1/2 in. Straight PROSA56074 / PROSA56175 - Auto 6 in. Straight
PROWC527R		
PROWC528L	PROWCR1407, PROWCR1408	PROSA56214 - Auto 6 in. Straight
PROWC529R		
PROWC546L	PROWCR1402, PROWCR1410, PROWCR1417, PROWCR1422	PROSA56215 - Auto 5-1/2 in. Straight PROSA56216 - Auto 6 in. Straight
PROWC547R		
PROWC570L		
PROWC571R		
PROWC706L	PROWCR1444	PROSA55073 / PROSA56211 - Auto 5-1/2 in. Straight PROSA56074 / PROSA56175
PROWC707R		
PROWC758L	PROWCR1419, PROWCR1432, PROWCR1442	PROSA56212 - Auto 6 in. Straight
PROWC759R		

Camshaft	Cam Repair Kit	Slack Adjuster Options
PROWC764L	PROWCR1402, PROWCR1410, PROWCR1417, PROWCR1422	PROSA56215 - Auto 5-1/2 in. Straight PROSA56216 - Auto 6 in. Straight
PROWC765R		
PROWC766L	PROWCR1444	
PROWC767R		
PROWC812L	PROWCR1407, PROWCR1408	PROSA56214 - Auto 6 in. Straight
PROWC813R		
PROWC8363R	PROWCR1410, PROWCR1445	
PROWC8364L		
PROWC854L	PROWCR1419, PROWCR1432, PROWCR1442	PROSA55073 - Auto 5-1/2 in. Straight PROSA56074 - Auto 6 in. Straight
PROWC855R		
PROWC858L		
PROWC859R	PROWCR1444	PROSA56140 - Auto 5 in., 6 in. Drive PROSA56141 - Auto 5-1/2 in., 6-1/2 in. Drive
PROWC886L		
PROWC887R	PROWCR1436, PROWCR1439, PROWCR1439HD, PROWCR1448-1	PROSA56144 - Auto 6 in. Drive Mack PROSA56175 - Auto 6 in. Straight
PROWC970L		
PROWC971R	PROWCR1425, PROWCR1430, PROWCR1433, PROWCR1434	PROSA56211 - Auto 5-1/2 in. Straight PROSA6212 - Auto 6 in. Straight
PROWCQ2244L		
PROWCQ2245R		
PROWCQ310L		
PROWCQ311R	PROWCR1432L	
PROWCQ312L		
PROWCQ313R	PROWCR1442, PROWCR1442HD, PROWCR1443	PROSA55073 - Auto 5-1/2 in. Straight PROSA56074 - Auto 6 in. Straight PROSA56140 - Auto 5 in., 6 in. Drive PROSA56141 - Auto 5-1/2 in., 6-1/2 in. Drive PROSA56144 - Auto 6 in. Drive Mack PROSA56175 - Auto 6 in. Straight PROSA56211 - Auto 5-1/2 in. Straight PROSA6212 - Auto 6 in. Straight
PROWCQ350L		
PROWCQ351R		
PROWCQ352L		
PROWCQ353R		
PROWCQ354L		
PROWCQ355R		
PROWCQ364L		
PROWCQ365R		
PROWCQ366L		
PROWCQ367R		
PROWCQ368L	PROWCR1402, PROWCR1410, PROWCR1417, PROWCR1422	PROSA56215 - Auto 5-1/2 in. Straight PROSA56216 - Auto 6 in. Straight
PROWCQ369R		
PROWCQ506L	PROWCR1402, PROWCR1410, PROWCR1417, PROWCR1422	PROSA56215 - Auto 5-1/2 in. Straight PROSA56216 - Auto 6 in. Straight
PROWCQ507R		

AXL

Camshafts



Cam Repair Kits

AXL

Camshafts

PROWC1407A

Qty	Part Number	Description
1	PROWC8841	Lock Ring
1	PROWC8824	Washer
3	PROWC8828	Washer
2	PROWC8805	Bushing
1	PROWC8843	Lock Ring
1	PROWC8858	Bushing



Brake Diameter: 16-1/2 in.
Fit: Fruehauf Pro-Par XEM & FQ Series

Pro-Par

PROWC1410

Qty	Part Number	Description
2	PROWC8847	Lock
4	PROWC8827	Washer
2	PROWC8851	Bushing
4	PROWC8841	Lock
2	PROWC8853	Bushing
2	PROWC8824	Washer
2	PROWC8826	Washer
4	PROWC8822A	Seal
2	PROWC8829	Washer
2	PROWC8849	Lock



Brake Diameter: 16-1/2 in.
Fit: Dana FC & Xtra-Life Series

Pro-Par

PROWC1412

Qty	Part Number	Description
2	PROWC8851	Bushing
4	PROWC8841	Lock Ring
2	PROWC8823	Washer
2	PROWC8853	Bushing
2	PROWC8824	Washer
4	PROWC8822A	Seal
2	PROWC8830	Washer
2	PROWC8829	Washer



Brake Diameter: 12-1/4 in.
Fit: Spicer & Standard Forge Late Model Axles

Pro-Par

PROWC1412Z

Qty	Part Number	Description
2	PROWC8854	Bronze Bushing
4	PROWC8841	Lock Ring
2	PROWC8853	Bushing
2	PROWC8824	Washer
4	PROWC8822A	Seal
2	PROWC8830	Washer
2	PROWC8829	Washer



Brake Diameter: 12-1/4 in.
Fit: Spicer U Brake

Pro-Par



Cam Repair Kits

PROWCR1417

Qty	Part Number	Description
4	PROWC8841	Lock Ring
8	PROWC8848	Washer
2	PROWCBR1415	Assembly
2	PROWC8696	Bracket
2	PROWC8872	Lock Ring



Brake Diameter: 16-1/2 in.
Fit: Meritor P Trailer Brake with 1-1/2 in. Diameter

Pro-Par

PROWCR1419

Qty	Part Number	Description
2	PROWC8847	Lock
4	PROWC8831	Washer
2	PROWC8827	Washer
2	PROWC8848	Washer
2	PROWC8843	Lock
2	PROWCBR1416	Assembly
2	PROWC8849	Lock
2	PROWC8696	Bracket



Brake Diameter: 12-1/4 in. & 16-1/2 in.
Fit: Meritor 4000-6000 Series with Support Bracket

Pro-Par

Heavy Duty

PROWCR1419HD

Qty	Part Number	Description
2	PROWC8847	Lock
4	PROWC8831	Washer
2	PROWC8827	Washer
2	PROWC8848	Washer
2	PROWC8843	Lock
2	PROWCBR1416	Assembly
2	PROWC8849	Lock
2	PROWC8696HD	Heavy Duty Bracket



Brake Diameter: 12-1/4 in. & 16-1/2 in.
Fit: Meritor 4000-6000 Series with Support Bracket

Pro-Par

PROWCR1420

Qty	Part Number	Description
2	PROWC8847	Lock Ring
2	PROWC8841	Lock Ring
4	PROWC8824	Washer
4	PROWC8828	Washer
2	PROWC8843	Lock Ring
4	PROWC8800	Seal
2	PROWC8881	Bushing
2	PROWC8882	Bushing



Brake Diameter: 16-1/2 in.
Fit: Eaton 501, EB & ES

Pro-Par

AXL

Camshafts



Cam Repair Kits

AXL

Camshafts

PROWCR1423

Qty	Part Number	Description
2	PROWC8847	Lock
2	PROWC8854	Bronze Bushing
2	PROWC8827	Washer
4	PROWC8841	Lock
2	PROWC8823	Washer
2	PROWC8853	Bushing
2	PROWC8824	Washer
4	PROWC8822A	Seal



Brake Diameter: 16-1/2 in.
Fit: Spicer Axle with Spherical Cam Bushing

Pro-Par

PROWCR1425

Qty	Part Number	Description
2	PROWC8847	Lock Ring
4	PROWC8827	Washer
4	PROWC8818	Bushing
4	PROWC8820	Seal
2	PROWC8878	O-Ring
2	PROWC8849	Lock Ring
2	PROWC8873	Gasket
2	PROWC8821	Washer
2	PROWC8833	Washer



Brake Diameter: 16-1/2 in.
Fit: For Meritor 15 & 16-1/2 in. Q & Q+

Pro-Par

Heavy Duty

PROWCR1435HD

Qty	Part Number	Description
4	PROWC8831	Washer
4	PROWC8827	Washer
2	PROWC8848	Washer
2	PROWC8843	Lock
4	PROWC8800	Seal
2	PROWC8849	Lock
2	PROWC8696HD	Heavy Duty Bracket
2	PROWC8885	Bronze Bushing
2	PROWC8837	Washer
2	PROWC8883	Washer
2	PROWC8847	Lock
2	PROWC8884	Lock
2	PROWC8886	Washer



Brake Diameter: 16-1/2 in.
Fit: Meritor Q and Q+ with press in bushing

Pro-Par



Cam Repair Kits

PROWCR1436

Qty	Part Number	Description
2	PROWC8844	Lock Ring
2	PROWC8854	Bronze Bushing
2	PROWC8827	Lock Ring
2	PROWC8825	Washer
8	PROWC8848	Washer
4	PROWC8826	Washer
4	PROWC8822	Seal
2	PROWC8872	Lock Ring
2	PROWC8696	Bracket



Brake Diameter: 16-1/2 in.
Fit: Hendrickson INTRAAX

Pro-Par

PROWCR1437

Qty	Part Number	Description
2	PROWC8847	Lock
2	PROWC8855	Washer
2	PROWC8856	Spacer
2	PROWC8857	Bronze Bushing
4	PROWC8827	Washer
2	PROWC8853A	Bushing
2	PROWC8824	Washer
2	PROWC8843	Lock
4	PROWC8800	Seal



Brake Diameter: 16-1/2 in.
Fit: Dana Xtra-Life with 1-5/8 in. Camshaft

Pro-Par

PROWCR1439

Qty	Part Number	Description
4	PROWC8810	Seal
2	PROWC8847	Lock Ring
2	PROWC8808	Bronze Bushing
6	PROWC8827	Washer
2	PROWC8841	Lock Ring
8	PROWC8824	Washer
2	PROWC8696	Bracket
2	PROWC8809	Washer



Brake Diameter: 16-1/2 in.
Fit: Hendrickson INTRAAX HXS

Pro-Par

Tech Tip

Wear Points

Under the head and where the s-cam bushing rests are common wear points. The s-cam will need to be repaired/replaced if it has .0015 of an inch of wear.

AXL

Camshafts



Cam Repair Kits

AXL

Camshafts

Heavy Duty

PROWCR1439HD

Qty	Part Number	Description
4	PROWC8810	Seal
2	PROWC8847	Lock Ring
2	PROWC8808	Bronze Bushing
6	PROWC8827	Washer
2	PROWC8841	Lock Ring
8	PROWC8824	Washer
2	PROWC8696HD	Heavy Duty Bracket
2	PROWC8809	Washer



Brake Diameter: 16-1/2 in.
Fit: Hendrickson INTRAAX HXS

Pro-Par

PROWCR1442

Qty	Part Number	Description
2	PROWC8847	Lock
2	PROWC8827	Washer
2	PROWC8848	Washer
4	PROWC8800	Seal
2	PROWC8884	Lock
2	PROWC8849	Lock
2	PROWC8696	Bracket
2	PROWCBR1446	Bracket Kit
2	PROWC8838	Washer
2	PROWC8836	Washer



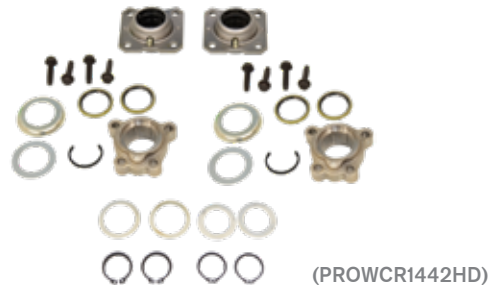
Brake Diameter: 16-1/2 in.
Fit: Meritor Q & Q+ with Bolt-On Bushing

Pro-Par

Heavy Duty

	Services
PROWCR1442HD	2 Wheels
PROWCR1442HDA	1 Wheel

Qty	Part Number	Description
2	PROWC8847	Lock
2	PROWC8827	Washer
2	PROWC8848	Washer
4	PROWC8800	Seal
2	PROWC8884	Lock
2	PROWC8849	Lock
2	PROWC8696HD	Heavy Duty Bracket
2	PROWCBR1446	Bracket Kit
2	PROWC8838	Washer
2	PROWC8836	Washer



Brake Diameter: 16-1/2 in.
Fit: Meritor Q & Q+ with Bolt-On Bushing

Pro-Par

Cam Repair Kits

AXL

Camshafts

PROWCR1443

Qty	Part Number	Description
2	PROWC8800	Seal
1	PROWC8884	Lock
1	PROWC8817	Bracket
1	PROWC8835	Washer
4	PROWC8850	Screw



Brake Diameter: 16-1/2 in.
Fit: Meritor Q & Q+ with Press-In Bushing

Pro-Par

PROWCR1444

Qty	Part Number	Description
1	PROWC8811L	LH Bracket Assy
1	PROWC8812R	RH Bracket Assy
2	PROWC8841	Lock Ring
2	PROWC8884	Lock Ring
2	PROWC8847	Lock Ring
2	PROWC8857	Spider Bushing
2	PROWC8855	Washer
2	PROWC8880	Washer
2	PROWC8856	Washer
2	PROWC8831	Washer
2	PROWC8829	Washer
8	PROWC8898	Self Tapping Screw
4	PROWC8800	Spider Seal



Brake Diameter: 12-1/4 in. & 16-1/2 in.
Fit: Spicer Standard & XL Brakes

Pro-Par

PROWCR1445

Qty	Part Number	Description
1	PROWC8811L	LH Bracket Assy
1	PROWC8812R	RH Bracket Assy
2	PROWC8841	Lock Ring
2	PROWC8847	Lock Ring
2	PROWC8854	Spider Bushing
2	PROWC8824	Washer
2	PROWC8826	Washer
2	PROWC8830	Washer
2	PROWC8880	Washer
2	PROWC8831	Washer
2	PROWC8833	Washer
8	PROWC8898	Self Tapping Screw
4	PROWC8822	Seal



Brake Diameter: 12-1/4 in. & 16-1/2 in.
Fit: Spicer Standard & XL Brakes

Pro-Par

Cam Repair Kits

Tube Kit

PROWCR1448-1



Qty	Description
1	Tube
4	Bolt
4	Nut
2	Snap Ring
6	Washer
2	Bracket



Brake Diameter: 16-1/2 in. & 17 in.
Fit: Hendrickson, Cam Tube, New Bracket

Pro-Par

SIRB8684A

Qty	Description
1	Lock Ring
2	Lock
1	Bushing
2	Seal
4	Washer
1	Bushing



Brake Diameter: 16-1/2 in.
Fit: Eaton ES

Sirco

SIRB8773MA

Qty	Description
1	Bracket
1	Retainer Assy
2	Lock Ring
1	Lock
3	Seal
4	Washer



Brake Diameter: 16-1/2 in.
Fit: Meritor Q & Q+ with Bolt-On Bushing

Sirco

Cam Brackets

Cam Tube / Chamber Bracket

Location	Part Number
Left Hand	DAN977196
Right Hand	DAN977197

Bendix



Dana RS/RF Suspensions

Location	Part Number
Left Hand	DANM16WHR50H-L
Right Hand	DANM16WHR50H-R

Bendix



AXL

Camshafts



Cam Brackets

FRUACF4024-900

Fruehauf
Pro-Par Axle - Kit

Camshaft Support Bracket & Bushing
MTRA-3299T5844

Meritor

xRef	Location	
Euclid E11445	Left Hand	PROWC8811L
Euclid E11446	Right Hand	PROWC8812R

Pro-Par
Qty: 2 per box

PROWC8696

Pro-Par
Fit: Meritor
xRef: Euclid E1318A

Heavy Duty
PROWC8696HD

Pro-Par
Fit: Meritor
xRef: Euclid E1318AHD

PROWC8714

Pro-Par
Brake Diameter: 16-1/2 in. xRef: Euclid E2104
Fit: Standard Forge & Spicer

PROWC8717

Pro-Par
Fit: Std Forge & Spicer xRef: Euclid E2365
For PROWC8714 bracket assembly

AXL

Camshafts



Cam Bushings

AXL

Camshafts

FRUACD2285-900



Fruehauf

Pro-Par Axle

MTRR657003



Meritor

Material: Nylon Inner Diameter: 1-5/8 in.
Length: 7/8 in. Outer Diameter: 2.00 in.

PROWC8805



Pro-Par

Material: Nylon I.D.: 1-5/8 in. O.D.: 2.00 in.
Length: 7/8 in. xRef: Euclid E1567

PROWC8819



Pro-Par

Material: Nylon I.D.: 1-1/2 in. O.D.: 1-7/8 in.
Length: 1-1/4 in. xRef: Euclid E536

PROWC8851



Pro-Par

Material: Nylon I.D.: 1-1/2 in. O.D.: 1-7/8 in.
Length: 1-1/2 in. xRef: Euclid E759

PROWC8853



Pro-Par

Material: Nylon I.D.: 1-1/2 in. O.D.: 2-15/32 in.
Length: 1-3/4 in. xRef: Euclid E2102

PROWC8854



Pro-Par

Material: Bronze I.D.: 1-1/2 in. O.D.: 1-7/8 in.
Length: 1-1/2 in. xRef: Euclid E807

PROWC8857



Pro-Par

Material: Bronze I.D.: 1-5/8 in. O.D.: 2.00 in.
Length: 1-1/2 in. xRef: Euclid E9789

FRUEHAUF

MERITOR

pro-par

Cam Seals

	Thickness	Inner Diameter	Outer Diameter	xRef
PROWC8800	0.250 in.	1-5/8 in.	2 in.	Euclid E2405
PROWC8810	0.188 in.	1-1/2 in.	2in.	Euclid E2717
PROWC8820	0.250 in.	1-1/2 in.	2-1/16 in.	Euclid E654
PROWC8822A	0.250 in.	1-1/2 in.	1-7/8 in.	Euclid E1416A



(PROWC8800)



(PROWC8810)



(PROWC8820)



(PROWC8822A)

Pro-Par

Snap Rings

	Thickness	Inner Diameter	xRef
PROWC8847	0.063 in.	1-1/8 in.	Euclid E801
PROWC8841	0.063 in.	1-31/64 in.	Euclid E526
PROWC8843	0.063 in.	1-1/2 in.	Euclid E1569



(PROWC8847)



(PROWC8841)



(PROWC8843)

Pro-Par

Cam Washers

	Thickness	Inner Diameter	Outer Diameter	xRef
PROWC8823	0.032 in.	1-17/32 in.	2-1/4 in.	Euclid E581
PROWC8824	0.060 in.	1-17/32 in.	2-1/4 in.	Euclid E580
PROWC8826	0.120 in.	1-9/16 in.	2-7/16 in.	Euclid E719
PROWC8827	0.060 in.	1-17/64 in.	1-7/8 in.	Euclid E1113
PROWC8828	0.060 in.	1-41/64 in.	2-3/8 in.	Euclid E1565
PROWC8831	0.0625 in.	1-5/8 in.	2-1/4 in.	Euclid E2411A
PROWC8834	0.0312 in.	1-1/4 in.	1-7/8 in.	Euclid E5095
PROWC8837	0.0312 in.	1-5/8 in.	2-1/4 in.	Euclid E9074
PROWC8880	0.063 in.	1-1/4 in.	2-1/4 in.	Euclid E5137
PROWC8886	0.344 in.	1-41/64 in.	2-3/8 in.	Euclid E9075



Pro-Par

Automatic Slack Adjusters

AXL

Slack Adjusters

	Spline	Arm Length	Type
BENK043197		5-1/2 in.	Straight
BEN065175	1-1/2 in. - 28	6 in.	Straight



(BENK043197)



(BEN065175)

Bendix

	Spline	Arm Length	Type
GUNAS1136	1-1/4 in. - 10	5-1/2 in.	
GUNAS1132		5-1/2 in.	Straight
GUNAS1168	1-1/2 in. - 10	5-1/2 in.	
GUNAS1133		6 in.	
GUNAS1140	1-1/2 in. - 28	5-1/2 in.	Straight
GUNAS1149		5-1/2 in.	
GUNAS1172		5-1/2 in.	Straight
GUNAS1141		6 in.	
GUNAS1150		6 in.	Straight
GUNAS1173		6 in.	
GUNAS1144	1-1/2 in. - 37	6 in.	



(GUNAS1136)



(GUNAS1132)



(GUNAS1168)



(GUNAS1133)



(GUNAS1140)



(GUNAS1149)



(GUNAS1172)



(GUNAS1141)



(GUNAS1150)



(GUNAS1173)



(GUNAS1144)

Gunite/Accuride



Automatic Slack Adjusters

	Spline	Arm Length	Application	Bracket Type	Additional
HDX400-10071		5-1/2 in.	Steer Axle	Strap	
HDX400-10155	1-1/2 in. - 10	5-1/2 in.	Drive Kenworth	Strap	
HDX400-10143		5-1/2 in., 6-1/2 in.	Std. Drive Axle	Strap	
HDX400-10211		5-1/2 in.	Trailer Axle	Plate & Flat Stud	Straight; 16-1/2 in. Brake
HDX400-10238		5-1/2 in.		Strap	Straight
HDX400-20211		5-1/2 in.	S-ABA	Plate & Flat Stud	Straight
HDX400-20241		5-1/2 in.	S-ABA	Strap	
HDX400-10141	1-1/2 in. - 28	5-1/2 in., 6-1/2 in.	Std. Drive Axle	Strap	Single Bend
HDX400-10144		6 in.	Drive Mack	Clamp	
HDX400-10212		6 in.	Trailer Axle	Plate & Flat Stud	Straight; 16-1/2 in. Brake
HDX400-10305		6 in.	Trailer Axle	Plate & Flat Stud	Straight; 16-1/2 in. Brake
HDX400-20212		6 in.	S-ABA	Plate & Flat Stud	Straight
HDX400-10213	1-5/8 in. - 37	5-1/2 in.	Trailer Axle	Plate & Flat Stud	Straight; 16-1/2 in. Brake



Haldex

More Information

Haldex Slacks - S-ABA

S-ABA is a self-setting automatic brake adjuster which allows the control arm to be set at any angle from -16 to 130 degrees.

Automatic Slack Adjusters

AXL

Slack Adjusters

	Spline	Arm Length	Type
RNGRB-21103	1-1/2 in. - 10	5 in., 6 in.	Straight
RNGRB-22103	1-1/2 in. - 28	5 in., 6 in.	Straight



Ranger Brake

(RNGRB-21103)

	Spline	Arm Length	Type	Chamber Size	Additional
MTRR803106	1-1/2 in. - 10	6 in.	Trailer Axle	30	Stroke Sensing
MTRR801073		5-1/2 in.	3	24, 30	Straight, Stroke Sensing
MTRR803049		5-1/2 in.		24	Stroke Sensing
MTRR803110		5-1/2 in.		24	Stroke Sensing
MTRR806019	1-1/2 in. - 28	5-1/2 in.	Trailer Axle		Straight; Clearance Sensing; 16-1/2 in. Brake; Double Bend
MTRR801074		6 in.		30	Straight; Stroke Sensing
MTRR803112		6 in.		30	Stroke Sensing
MTRR803116	1-5/8 in. - 37	6 in.	Trailer Axle	30	Stroke Sensing



(MTRR803106)



(MTRR801073)



(MTRR803049)



(MTRR803110)



(MTRR806019)



(MTRR801074)



(MTRR803112)



(MTRR803116)

Meritor

More Information

Meritor Slacks - Unhanded v.s Handed



"Handed" slacks have pawl assemblies on the main body of the slack to fit a particular side of the axle and aid in clearance with other axle components. "Unhanded" slacks are ones in which the pawl assembly has been moved to the edge of the slack to eliminate having to stock pairs of slacks.

Type 1 = Left Handed Type 2 = Right Handed Type 3 = Unhanded

RANGER Brake Products



Automatic Slack Adjusters

	Spline	Arm Length	Type	Bracket Type	Additional
PROSA56142		5 in., 6 in.	Drive Axle	Strap	
PROSA56215	1-1/2 in. - 10	5-1/2 in.	Trailer Axle	Plate & Flat Stud	16-1/2 in. Brake
PROSA56143		5-1/2 in., 6-1/2 in.	Drive Axle	Strap	
PROSA56216		6 in.	Trailer Axle	Plate & Flat Stud	16-1/2 in. Brake
PROSA56140		5 in., 6 in.	Drive Axle	Strap	
PROSA55073		5-1/2 in.	Unhanded		Chamber Size: 24, 30
PROSA56211		5-1/2 in.	Trailer Axle	Plate & Flat Stud	16-1/2 in. Brake
PROSA56141	1-1/2 in. - 28	5-1/2 in., 6-1/2 in.	Drive Axle	Strap	
PROSA56074		6 in.	Unhanded		Chamber Size: 30
PROSA56144		6 in.	Drive Mack	Clamp	
PROSA56175		6 in.	Curved		
PROSA56212		6 in.	Trailer Axle	Plate & Flat Stud	16-1/2 in. Brake
PROSA56214	1-5/8 in. - 37	6 in.	Trailer Axle	Plate & Flat Stud	16-1/2 in. Brake



(PROSA56215)



(PROSA55073)



(PROSA56211)

Pro-Par

AXL

Slack Adjusters

There is a Difference | SLACK ADJUSTERS

RANGER BRAKE



TROUBLE-FREE PERFORMANCE

*DOESN'T JUST FALL FROM THE SKY.
IT'S BUILT FROM THE GROUND UP.*

Our slacks are designed by RANGER BRAKE to equal the OE/Original Equipment units, and to improve on their weaknesses...

to **GUARANTEE CUSTOMER SATISFACTION.**
We test every single slack, with Ranger hands in Alexandria TN, U.S.A - using our

Aggressive 10-Pt DYNAMIC Test Procedure

1. S-CAM Fitment
2. CW / CCW Rotational Torque and Ratchet Response at Hex
3. Adjustment-Arm Available Movement
4. Hex Nut Rotation in Degrees Relative to Adjust-Arm Movement
5. S-CAM GEAR Movement in Degrees Relative to Adjust-Arm Movement
6. CLUTCH Pressure Setting and Plate Force OUTPUT
7. Degree of Hex Rotation Required for CLUTCH to Engage Relative to Adjust-Arm Movement
8. Degree of Hex Rotation Required for CLUTCH to Dis-Engage Relative to Adjust-Arm Movement
9. CLEVIS Assembly Inspection of Threads, Fitment, and Yoke Hole Location
10. VERIFY Template Form and Fit



HALDEX Style

Also Available:

Meritor Style

Gunite Style

Bendix Style

Crewson Style



Automatic Slack Adjusters

AXL

Slack Adjusters

	Spline	Arm Length	Type	Additional
STEMK21103S	1-1/2 in. - 10	5 in., 6 in.	Straight	
STEMK41100S		5-1/2 in.	Straight	
STEMK22103S	1-1/2 in. - 28	5 in., 6 in.	Straight	
STEMK22153S		5 in., 6 in.	Curved	ABA
STEMK42100S		5-1/2 in.	Straight	
STEMK42700S		5-1/2 in.	Straight EXT.	
STEMK22102S		5-1/2 in., 6-1/2 in.	Straight	
STEMK42106S		6 in.	Straight	



(STEMK21103S)



(STEMK41100S)



(STEMK22103S)



(STEMK22153S)



(STEMK42100S)



(STEMK42700S)



(STEMK22102S)



(STEMK42106S)

Stemco

Manual Slack Adjusters

	Spline	Arm Length	Type
IMXGT-5800	1-1/2 in. - 10	5 in., 6 in., 7 in.	Straight
IMXGT-5804		5-1/2 in., 6-1/2 in.	Straight
IMXGT-5801	1-1/2 in. - 28	5 in., 6 in., 7 in.	Straight
IMXGT-5803		5-1/2 in., 6-1/2 in.	Straight
IMXGT-5802		1-5/8 in. - 37	5 in., 6 in., 7 in.



(IMXGT-5800)



(IMXGT-5804)



(IMXGT-5801)



(IMXGT-5803)



(IMXGT-5802)

Economy

STEMCO

Slack Adjuster Accessories

Angled Strap Drive Bracket
HDX427-10553



Plate & Stud Standard Bracket
HDX427-10563



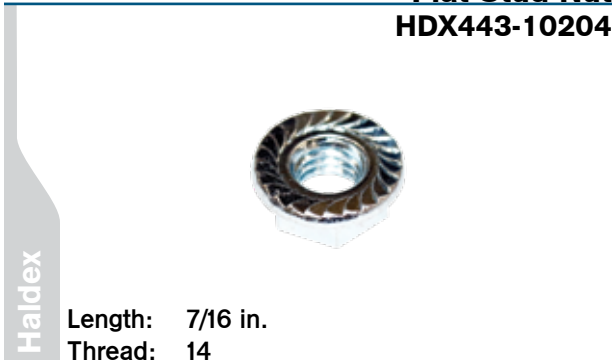
Trailer Slack Adjuster Bracket
HDX427-10565



Stud Kit
HDX427-10558



Flat Stud Nut
HDX443-10204



Double Flat Stud
HDX443-10290



Bushing
HDX452-10125



ASA Bushing
MTRR002307



AXL

Slack Adjusters

Haldex

MERITOR

Slack Adjuster Accessories

Lock Pawl
MTRR801700



Meritor

AXL

Slack Adjusters

More Information

Slack Adjusters



Bendix Style



Gunite Style



Haldex Style



Meritor Style



Stemco Style

Meritor, Gunite, Bendix, and Stemco style are stroke sensing slack adjusters. This means that they will make an adjustment on the brake application. Haldex style slack adjusters are clearance sensing and will recognize the difference between the lining and the drum on the way back.



Body Parts 173-310

Aerodynamics	174-180
DuraPlate Aeroskirt/ Wabash .	174-176
Optiflow/ Wabco	177
Ridge Corporation/ Green Wing . . .	178
SmartTruck	179
Transtex/ Edge & EZ-Edge	180
Floor	181-192
Crossmembers	181-187
Flooring	188-189
Seals.	190
Threshold Plates	190-192
Front Wall	193-216
Corner Caps	193-197
Corner Radius/ Posts. . .	198-204
Inner Corner Radius	205-206
Nose Panels	206
Nose Posts	207-209
Rose Rails.	210-216
Rear Wall	217-236
Bumpers	217-225
Fantail Components.	226
Dock Bumpers.	227-228
Corner Posts	229
Rear Headers	230
Liftgate Components . . .	231-233
Ramp Components	234
Tailgate Components	235
Roof	237-248
Bows.	237-242
Material.	242-245
Mouldings & Retainers.	245
Repair	246-247
Side Wall	249-282
Panels.	249-252
Liners	253-254
Repair	255-258
Rub Rails	258-259
Scuff	259-260
Side Posts	261-269
Side Rails	270-280
Accessories.	281-282
(Lift Pads, Pipe Spools, Stake Pockets & Skylights)	
Truck Body	283-310

Body Parts

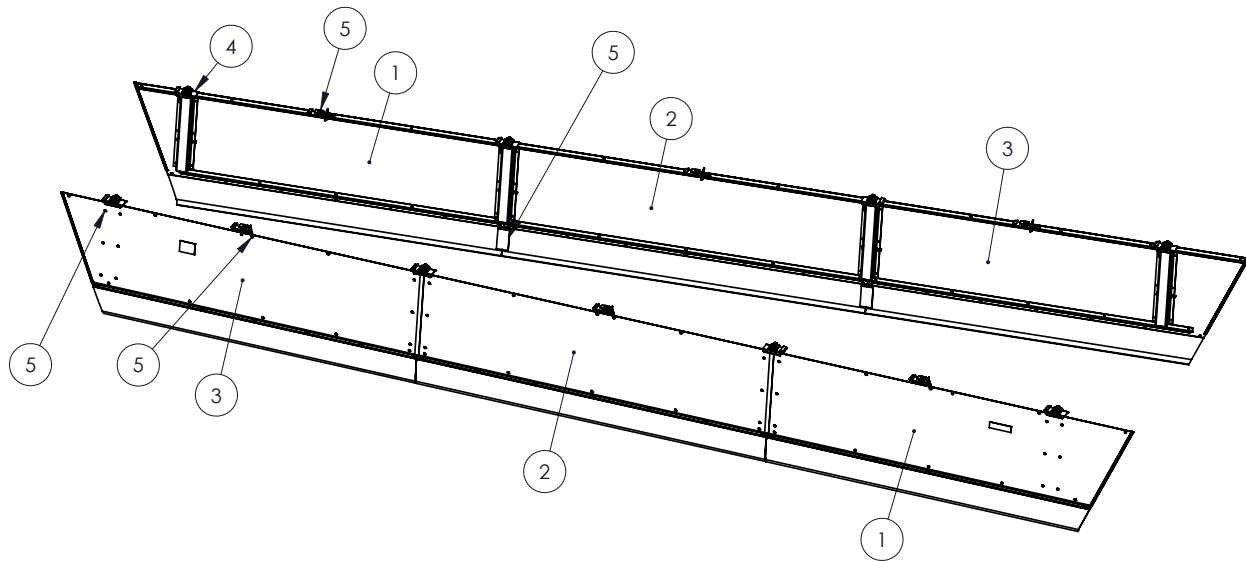
DuraPlate AeroSkirt®

53 ft. Trailer

DUR21800139

BDY

Aerodynamics



Item	Part Number	Description	Item	Part Number	Description
1	DUR21800263	Right Panel Assembly	4	DUR21800124	Spring Post Assembly
2	DUR21800262	Middle Panel Assembly	5	DUR21800147	Hardware Kit,8 Posts
3	DUR21800261	Left Panel Assembly			

Wabash

Aerodynamics

174

800.621.7949

= Key Items

www.AuroraParts.com

DuraPlate AeroSkirt®

Kits

53 ft. Trailer

	Type	Location	Color	Count
DUR21800139A	Single	Both Sides	White	1
DUR21800139B	Bulk	Both Sides	White	10
DUR21800381	Single	Curbside	White	1
DUR21800382	Single	Roadside	White	1
DUR21800922	Tail Device	Rear	White	1

Wabash

Panel Assemblies

Components

	Location	Length	Includes	Additional
DUR21800261	Left	96 in.	Flex Receiver	Less H Panel Trim
DUR21800262	Middle	93 in.	Flex Tabs (2)	Includes H Panel Trim
DUR21800263	Right	96 in.	Flex Receiver	Less H Panel Trim

(DUR21800261 & DUR21800262)



Wabash

Flex Skirt - 9 in.

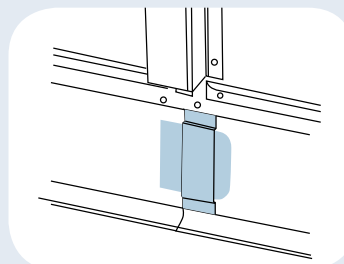
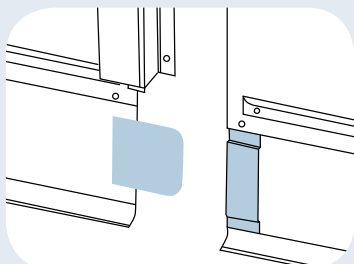
	Location	Length	Additional
DUR21800318	Left	96 in.	
DUR21800319	Right	96 in.	
DUR21800320	MID	93 in.	
DUR21800321	Left	41 in.	Reefer
DUR21800325		96 in.	Straight



Wabash

More Information

Flex Skirt Tab & Receiver



BDY

Aerodynamics



Body Parts

DuraPlate AeroSkirt®

Mounting

Safety Tether

Location	Part Number
Roadside	DUR21800175
Curbside	DUR21800178

Wabash



Bracket Assembly

Type	Part Number
Assembly	DUR21800124
Double Plate	218S0021 ^
Toe Clamp	218S0012 ^

Wabash



Accessories

1 in. Adaptor Kit DUR21800146

Wabash



5 in. to 4 in. Crossmember

Product Information

Wabash DuraPlate AeroSkirt®



DuraPlate® AeroSkirt® is the most durable aerodynamic solution for over-the-road trailers. It is EPA SmartWay® approved and produces a fuel-economy improvement of 6%, providing bottom line savings. The AeroSkirt is constructed in three sections for streamlined shipping, installation and repair. There are fewer total parts, which allows for faster install time. Its unique, proprietary design provides unmatched impact resistance, making it the most durable trailer skirt available today.

BDY

Aerodynamics

OptiFlow™

Kits

53 ft. Trailer

	Location	Size
LAYTSFS248L	Roadside	248 in.
LAYTSFS248R	Curbside	248 in.

Wabco

Components

Skirt Panels

	Location	Color	Size
LAYTSFS141L	Roadside	White	35 in. x 141 in. x 0.135 in.
LAYTSFS141R	Curbside	White	35 in. x 141 in. x 0.135 in.

Wabco

Panels

	Location	Size
LAYTSFS137L	Roadside	137 in.
LAYTSFS137R	Curbside	137 in.

Wabco

Mounting

Curved Brackets

Location	
Roadside	LAYTRAS951
Curbside	LAYTRAS950



LAYTRAS951 shown

Wabco

Side Skirt Mounting LAYTRAS935



Includes Hardware

Wabco

Product Information

Wabco OptiFlow™ TrailerSkirt™



WABCO

Incorporating WABCO's mono clamp technology, these units are the fastest on the market to install due to minimal components and simplicity for ease of installation. OptiFlow™ TrailerSkirt™ offers more than 5% fuel savings at 65 mph and are EPA SmartWay and C.A.R.B. approved.

BDY

Aerodynamics

WABCO

Body Parts

Ridge Corporation

Kits

Green Wing Skirt

	Location	Count
RIGRMC0218	Roadside	1
RIGRMC0219	Curbside	1
RIGRAC0012-1	Universal	1
RIGRAC0012	Universal	10

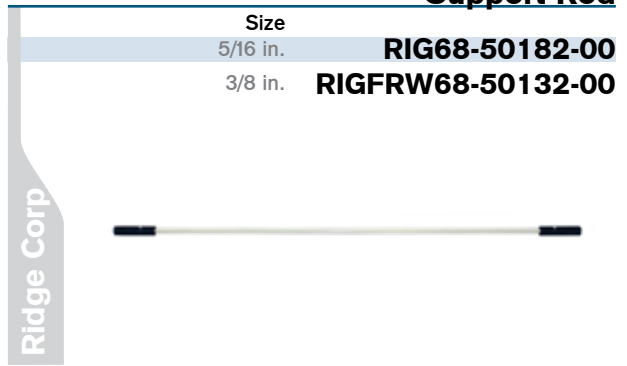
Ridge Corporation

Mounting

Saddle Mount RIG68-50140-00



Support Rod



V Brace Replacement Kit RIGRAC0023



V Brace RIGRMC0300



Product Information

Ridge Corporation / Green Wing Skirt



The Ridge Green Wing has its roots in a scientific approach to fuel economy as conceptually designed at the Automotive Research Center on their Rolling Road Wind Tunnel. Achieving between 5.2 and 7.18% fuel savings. Green Wing® is constructed of proven industry materials yielding a lightweight design that is easy to install and maintain.

BDY

Aerodynamics

SmartTruck

Kits

Part Number	Type	Color	Diagram#
STTSMT-09-1001-F00	LeadEdge Top Fairing	Grey	1
STTSTKF00-0002-00B	TopKit Aero System	White	2 & 3
STTSTC000-0105-0F0	Classic Aero System	Grey	2 & 5
STTSTAA00-0215-0F0	Advanced Aero System	Grey	2, 4 & 5
STTSTPF00-0404-0FB	Premier Aero System		2, 3, 4 & 5
STTSMT-P1-000330F0	Integrated Undertray Sled	Grey	5

Diagram
SmartTruck



Components

Part Number	Type
STTSMT-03-0010	Pitch Conversion Kit; 10 in.
STTSMT-04-0054	Conversion Kit for Spaced Slider Rails; 54 in.
STTSMT-05-0099	Conversion Kit for Narrow Roof Width
STTSMT-07-1007	Corrugated Kit to Mount Corrugated Side Fairings
STTSMT-P1-0004100B	Adapter Corgate Transition Pieces for Corrugated Side Fairings
STTSMT-A5-1025	Aero Rain Guard Full Kit, No Trim, 1 Tube; 100-101.75 in.

SmartTruck

BDY

Aerodynamics

AERO
CHANGES EVERYTHING

Higher lifetime ROI than most trailer aero devices currently available.

Affordable and highly durable, with Limited Lifetime Warranty

SmartTruck
MOVING AERO FORWARD
www.SmartTruckAero.com

Transtex

Kits

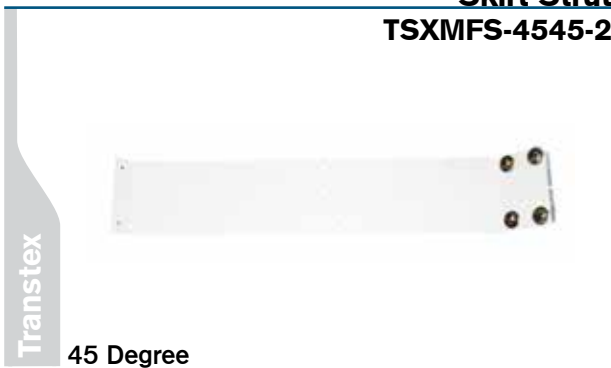
EDGE

	Location	Size
TSXEP-2330R	Right Hand	23 ft. x 30 in.
TSXEP-2330L	Left Hand	23 ft. x 30 in.
TSXEP-2330T	Side Skirt Set Kit	23 ft. x 30 in.
TSXEZ-1932T	ezEdge Skirt Set	19 ft. x 32 in.

Transtex

Mounting

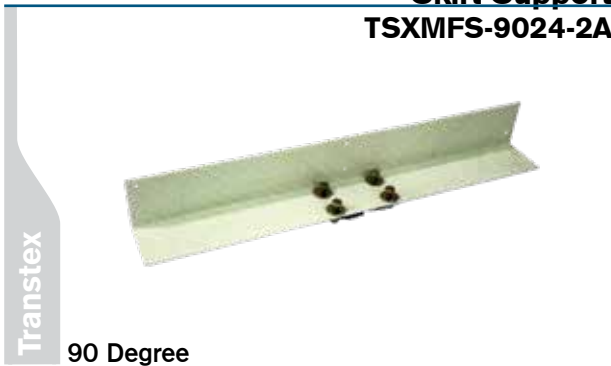
**Skirt Strut
TSXMFS-4545-2**



**Small Angle Bracket
TSXMFS-9004-2A**



**Skirt Support
TSXMFS-9024-2A**

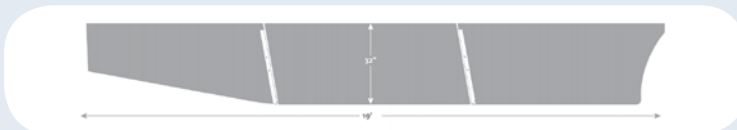


**Skirt Support
TSXT-FLEX**



Product Information

Transtex/ Edge/ ezEdge

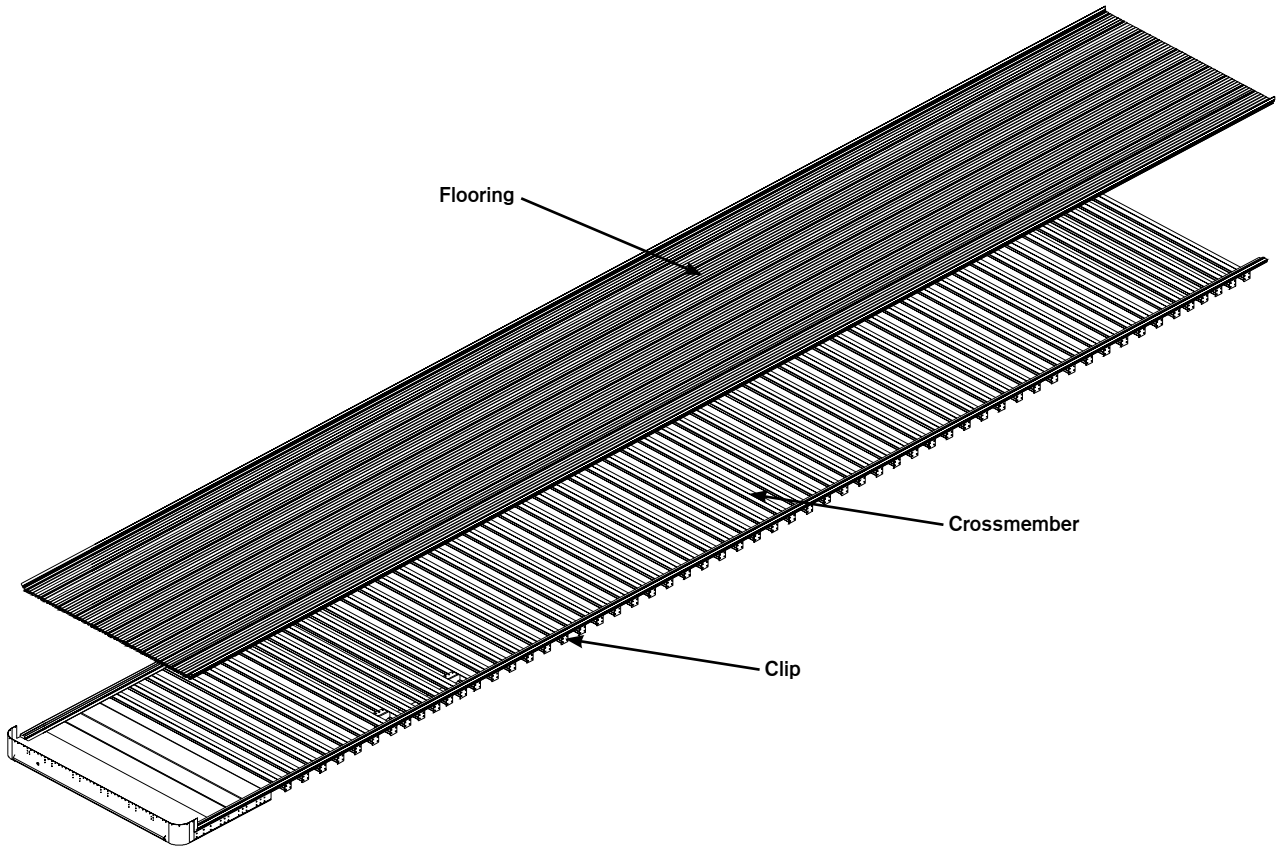


ezEdge is a three-panel skirt for 53-foot trailers designed for durability and great performance. ezEDGE skirts are made out of the lightest and strongest glass-reinforced thermoplastic composite material. This skirt delivers high flexibility, UV-protection and impact/puncture ratings to outlast the ownership of your trailers.

BDY

Aerodynamics





Crossmembers

Fruehauf

FRUFCF5117-7

Material: Steel Style: 411
Length: 101-3/8 in. Clips: Included

FRUSTK28658-102

Material: Steel Style: Heavy Duty
Length: 102 in.

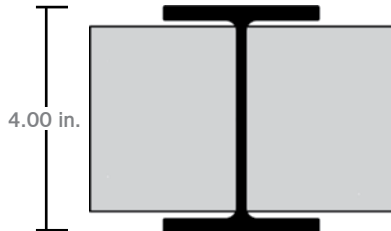
Body Parts

Crossmembers

Great Dane Style

CMB-GD02

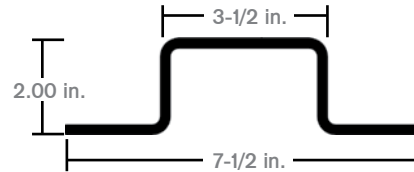
Cross Ref: Great Dane# 33166



Material: Steel Color: Painted
Length: 101-21/32 in. Clips: Included

CMB-GD04

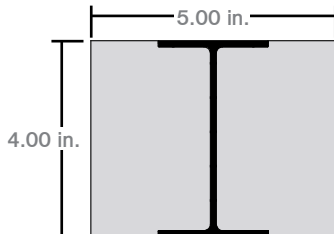
Cross Ref: Great Dane# 40110000



Material: Steel Style: Hat
Length: 101-1/8 in.

CMB-GD05

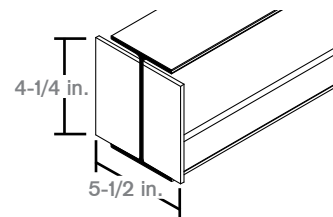
Cross Ref: Great Dane# 30101511



Material: Steel
Length: 101-13/32 in. Clips: Included

CMB-GD07

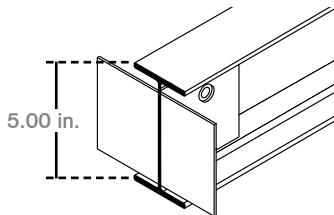
Cross Ref: Great Dane# 30106275



Material: Aluminum Style: I-Beam
Length: 101-5/16 in. Clips: Included

CMB-GD20

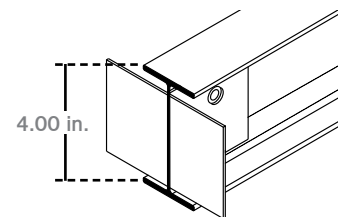
Cross Ref: Great Dane# 30105624



Material: Aluminum Style: I-Beam
Length: 101-11/16 in. Clips: Included

CMB-GD24

Cross Ref: Great Dane# 30105622

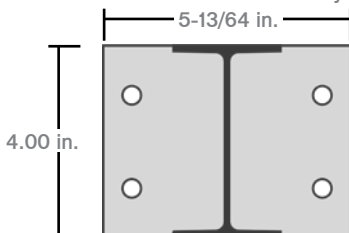


Material: Aluminum
Length: 101-21/32 in.

Hyundai Style

CMB-HY02

Cross Ref: Hyundai# 10031775



Material: Steel
Length: 101-1/2 in.

BDY

Floor



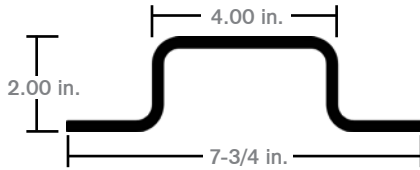
Floor

Crossmembers

Stoughton Style

CMB-ST01

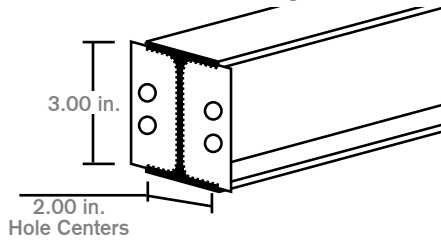
Cross Ref: Stoughton# 03-07882-004-00



Material: Steel
Length: 109-9/16 in.

CMB-ST04

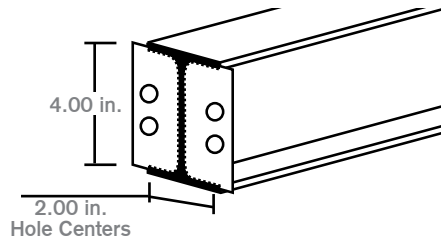
Cross Ref: Stoughton# 04-20018-001-00



Material: Steel
Length: 101-1/8 in. **Clips:** Included

CMB-ST05

Cross Ref: Stoughton# 04-18454-001-00

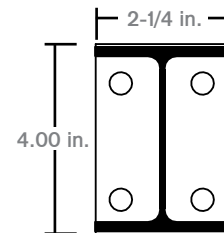


Material: Steel
Length: 101-1/8 in. **Clips:** Included

Trailmobile Style

CMB-TM01

Cross Ref: Trailmobile# 6001-A3-101B

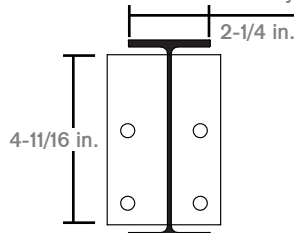


Material: Steel
Length: 101-5/8 in. **Color:** Painted Black

Utility Style

CMB-UT01

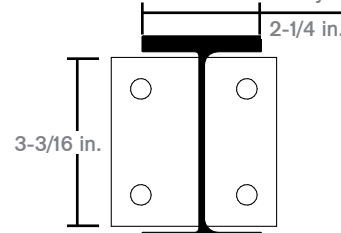
Cross Ref: Utility# 04-2550-026



Material: Aluminum
Length: 101-3/4 in. **Clips:** Included

CMB-UT04

Cross Ref: Utility# 04-2550-025



Material: Aluminum
Length: 101-3/4 in. **Clips:** Included

BDY

Floor

Body Parts

Crossmembers

Utility Style

CMB-UT06

Cross Ref: Utility# 04-2575-0-117

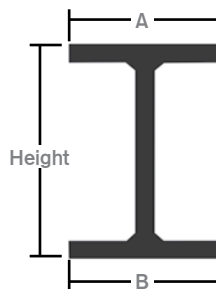


Material: Steel
Size: 4 in. x 101-3/4 in.

Addtl: 4 Hole

Universal

Part Number	Material	Height	A	B	Length	Additional
ALU2-2	Aluminum	4 in.	3 in.	2-1/2 in.	101-1/8 in.	-
ALU2-6	Aluminum	4-3/4 in.	2-3/4 in.	2 in.	102 in.	-
ALU2-7	Aluminum	5 in.	2-3/4 in.	-	102 in.	-
STL27570300	Steel	3 in.	1-7/8 in.	-	101-1/2 in.	-
STLMBPBEAMST3UP	Steel	3 in.	1-7/8 in.	-	102 in.	-
STL27570225	Steel	2-1/4 in.	2-3/4 in.	-	102 in.	-
STL27570500	Steel	4 in.	2-1/4 in.	-	101-1/2 in.	-
STL5-1	Steel	4 in.	2-1/4 in.	-	101-1/2 in.	Primed
STL27570501	Steel	4 in.	-	-	102 in.	No Clip
STLIBM4X102X80KPSI	Steel	4 in.	2-1/4 in.	-	102 in.	-
STLMBPBEAMST400	Steel	4 in.	2-1/4 in.	-	102 in.	Primed
STL27570600	Steel	6 in.	2-1/4 in.	-	102 in.	-



Quick Reference

Crossmember Bolts & Kits

Torx Button Head Bolts

Part Number	Diameter	Thread	Length
BLTF8721689-96	3/8 in.	16	1-1/4 in.
SCW60750210	3/8 in.	16	1.00 in.

Bolt Kits

Part Number	Includes
BLT16-20	8 Torx Bolts (3/8 in.-16 x 1-1/4 in.), 8 Flange Nuts
BLT60759920	8 Torx Bolts (3/8 in.-24 x 1-1/4 in.), 8 Nuts, 8 Washers
BLT60759950	8 Torx Bolts (3/8 in.-16 x 1-1/4 in.), 8 Nuts, 8 Washers

BDY

Floor



Crossmembers

Wabash

WAB02000325

Material: Aluminum
Length: 101-5/8 in. Clips: Included

WAB02000808

Material: Aluminum Style: Hat Sill
Length: 101-5/8 in.

WAB02000997

Material: Aluminum
Length: 101-5/8 in. Clips: Included

WAB02000010

Material: Steel Style: Tectyled
Length: 101 in. Clips: Included

WAB02000141

Material: Steel
Length: 100-3/8 in. Clips: Included

WAB02000393

Material: Steel
Length: 101-5/8 in. Clips: Included

WAB02002706

Material: Tectyled Steel
Length: 101 in. Clips: Included

**Aft Hat Assembly
WAB02002841-01**

Material:
Length: 101-3/8 in.

BDY

Floor

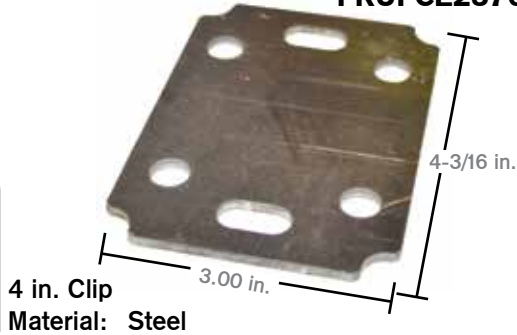


Body Parts

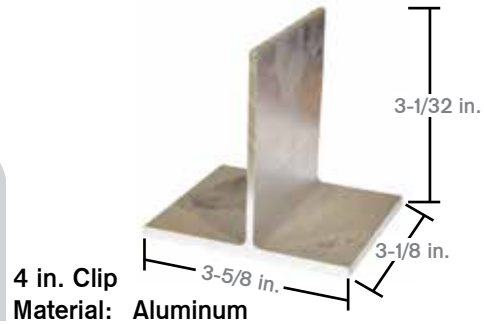
Crossmember Clips

Fruehauf

FRUFCE2576-2



FRUSTK21439-4



Stoughton Style

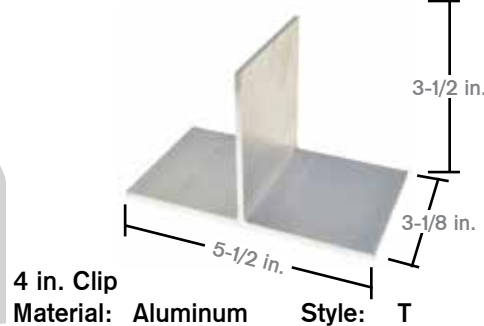
CMB-ST02

Cross Ref: Stoughton# 01-07884-000-00



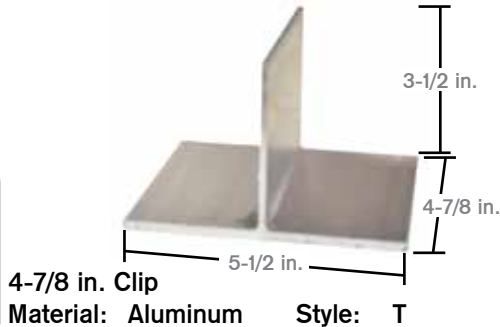
Universal

ALU27570224

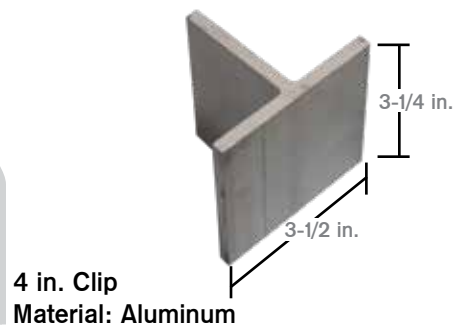


Universal

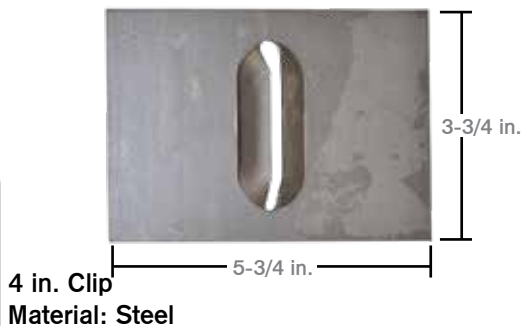
ALU27570225



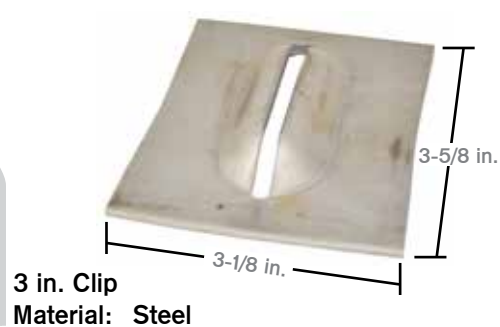
ALU2-8



PEN70-10



PEN70-12



BDY

Floor

FRUEHAUF

PRO-FIT

Penny

Floor

Crossmember Clips

Universal

Number of Holes	4	PEN70-14
	None	PEN70-14-SPECIAL

4 in. Clip
Material: Steel

Height	5 in.	STL1-11
	4 in.	STL1-12

Material: Steel

TSCPHA-542

Material: Aluminum

Height	4-15/16 in.	WAB02S00002
	3-15/16 in.	WAB02S00003

Material: Steel

WAB02S01407

Material: Steel

Repair Procedure

Crossmember

Step 1

Remove all floor screws in the crossmember to be replaced.

Step 2

Remove fasteners used to attach the crossmember to the bottom side rail.

Step 3

Clean areas as required. Apply mylar tape or similar di-electric barrier between aluminum and steel interfaces.

Step 4

Install new crossmember. Properly coat prior to installation of crossmember.

Step 5

Secure crossmember to bottom rail with Grade 5 bolts or solid aluminum rivets.

Step 6

Install new floor screws using existing holes in floor if possible. When installing floor screws make sure top flange is tight against the bottom surface of the floor boards.

Step 7




Coat the crossmember with appropriate under-coating material.

Body Parts

Apitong Flooring

BDY

Floor

Part Number	Type	Thickness	Width	Length	
APT1.13X5X16FJ	Shiplap	1-1/8 in.	5 in.	16 ft.	
APT1.13X7X16FJ			7 in.		
APT1.31X5X16FJ		1-5/16 in.	5 in.		
APT1.31X7X16FJ			7 in.		
APT1.38X5X16FJ		1-3/8 in.	5 in.		
APT1.38X7X16FJ			7 in.		
APT1.13X5	Shiplap	1-1/8 in.	5 in.	Random Lengths	
APT1.13X7			7 in.		
APT1.31X5		1-5/16 in.	5 in.		
APT1.31X7			7 in.		
APT1.38X5		1-3/8 in.	5 in.		
APT1.38X7			7 in.		
APT1.5X5	Square Edge	1-1/2 in.	5 in.	Random Lengths	
APT1.5X7			7 in.		
APT1.5X7-SQ		2.00 in.	7 in.		
APT2X7-SQ	8 in.		Random Lengths		
APT2X8-SQ					

Apitong

A wood that is naturally resistant to rot and decay and able to withstand extreme temperatures and prolonged exposure to moisture.

FJ: Finger Jointed

A woodworking joint made by cutting a set of complementary cuts in to pieces of wood, which are then glued. It is stronger than a butt joint or lap joint.

Hardwood Flooring

Part Number	Type	Thickness	Width	Length	Undercoated
HDW1.13X12X12	Shiplap	1-1/8 in.	12.00 in.	12.00 ft.	
HDW1.13X12X24				24.00 ft.	
HDW1.13X12X48				48.00 ft.	
HDW1.13X12X52				52.00 ft.	
HDW1.25X12X12	Shiplap	1-1/4 in.	12.00 in.	12.00 ft.	
HDW1.25X12X24				24.00 ft.	
HDW1.25X12X48				48.00 ft.	
HDW1.25X12X48U				48.00 ft.	Yes
HDW1.25X12X52				52.00 ft.	
HDW1.38X12X12	Shiplap	1-3/8 in.	12.00 in.	12.00 ft.	
HDW1.38X12X24				24.00 ft.	
HDW1.38X12X48				48.00 ft.	
HDW1.38X12X48U				48.00 ft.	Yes
HDW1.38X12X52				52.00 ft.	

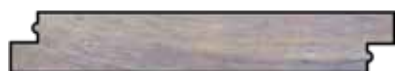


Shiplap

Floor

Oak Flooring

Part Number	Type	Thickness	Width	Length	Undercoat		
OAK1.13X12X28	Shiplap	1-1/8 in.	12.00 in.	28.00 ft.			
OAK1.25X12X12	Shiplap	1-1/4 in.	12.00 in.	12.00 ft.			
OAK1.25X12X28				28.00 ft.			
OAK1.25X12X48				48.00 ft.			
OAK1.25X12X48U				48.00 ft.	Yes		
OAK1.25X12X52				52.00 ft.			
OAK1.25X12X52U				52.00 ft.	Yes		
OAK1.25X13X12				13.00 in.	12.00 ft.		
OAK1.25X13X28					28.00 ft.		
OAK1.38X12X12					12.00 in.	12.00 ft.	
OAK1.38X12X28						28.00 ft.	
OAK1.38X12X48	48.00 ft.						
OAK1.38X12X48U	48.00 ft.	Yes					
OAK1.38X12X52	52.00 ft.						
OAK1.38X13X52	13.00 in.	52.00 ft.					
OAK1.38X14X52	14.00 in.	52.00 ft.					



Shiplap

Quick Reference

Characteristics of Wood

Flooring Type	Density	Elasticity	Hardness	Strength
Apitong	790 KG/m3	2,070 psi	1,520 lbs	19,000 psi
Oak	900 KG/m3	1,780 psi	1,360 lbs	15,200 psi
Fir	530 KG/m3	1,950 psi	660 lbs	12,400 psi
Cedar	260 KG/m3	1,110 psi	350 lbs	7,500 psi

Density - Determined by the basic wood structure and by the moisture content of the material.

Elasticity - The stiffness or resistance to bending.

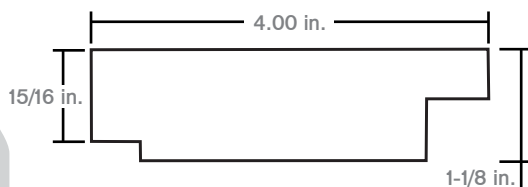
Hardness - The resistance to indentation measured by the load required to embed a ball to one-half its diameter.

Strength - The maximum load carrying capacity of the species in bending strength and is proportional to the maximum strength or breaking point.

The Wood Handbook - Wood as an engineering material, USDA, General Technical Report 113.

Additional Flooring

Apitong Outer Nailer TSCPRA-252



Type: T-Board
Width: 4 in. Thickness: 1-1/8 in.

Plywood

Type	Plywood
Routed	WDS4-7
Not Routed	WDS4-7NR
Heavy Duty, Routed	WDS4-7HD



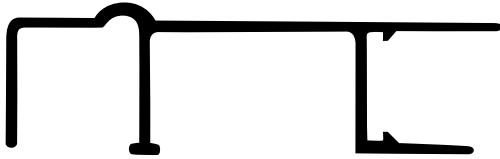
Container Flooring
Size: 1-1/8 in. x 4 ft. x 8 ft.



Body Parts

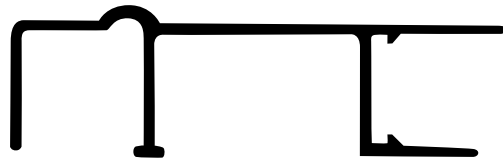
Seals

WABEB685778



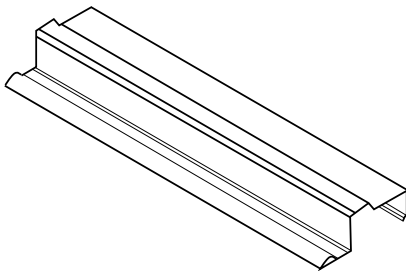
Material: Aluminum

WABEB695778



Length: 48 ft.

WABV0926200

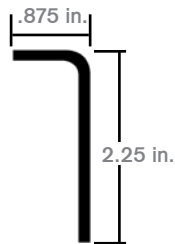


Material: PVC

Threshold Plates

**Great Dane Style
TRD-GD02**

Cross Ref: Great Dane# 41712326



Length: 102 in.
T-Hold Flashing, Rear Door

**Utility Style
TRD-UN01**

Cross Ref: Utility# 1063098



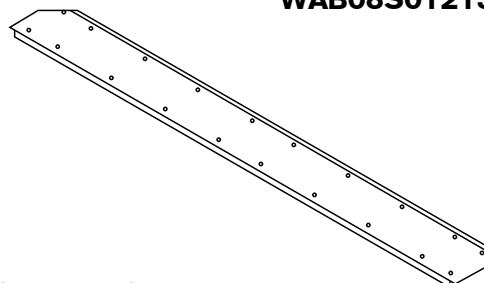
Size: 22-5/8 in. x 96 in.

WAB08A00938-01



Size: 11 in. x 99-3/4 in.
Material: Diamond Plate

WAB08S01215-01



Size: 1/8 in. x 11 in. x 100 in.
Material: Diamond Plate

BDY

Floor

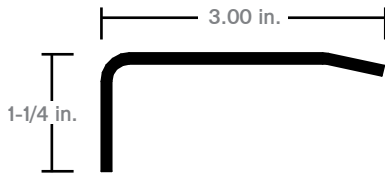


Floor

Threshold Plates

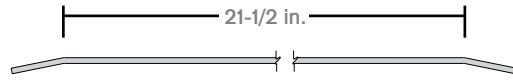
**Floor Cap
TRD-GD03**

Cross Ref: Great Dane# 40610095



Material: Galvanized Steel
Length: 97 in.

WAB08S00007



Size: 24 in. x 102 in.

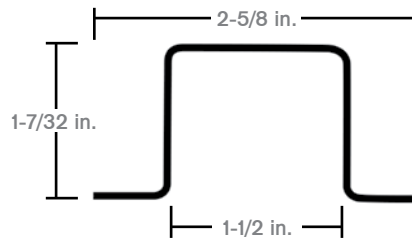
Accessories

**Floor Clip
FRUKCB8814-1**



Material: Steel
Length: 3 in.

**Floor Channel
FRUSTK13961-47**



Length: 47 ft.

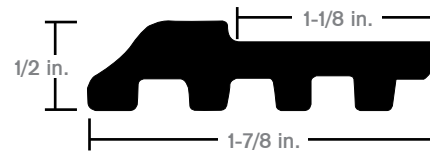
**Drain Plug
FIT83687**



Size: 2 in. to 2-1/4 in.
Flush Cleanout Repair Plug

**Door Jam Retainer
GDA034-15807-01824**

Cross Ref: Great Dane# 341580701824



Material: PVC

**Kazoo
CHA-UT01**

Cross Ref: Utility# 03-7270-0-003



Material: Rubber

**Kazoo Valve Drain
BUF4406-7708**



Fits: 31MM, 41MM, 48MM

BDY

Floor



Accessories

Kazoo
WAB26100020



Material: Rubber
Length: 1-1/4 in.

BDY

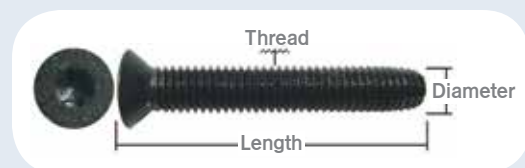
Floor

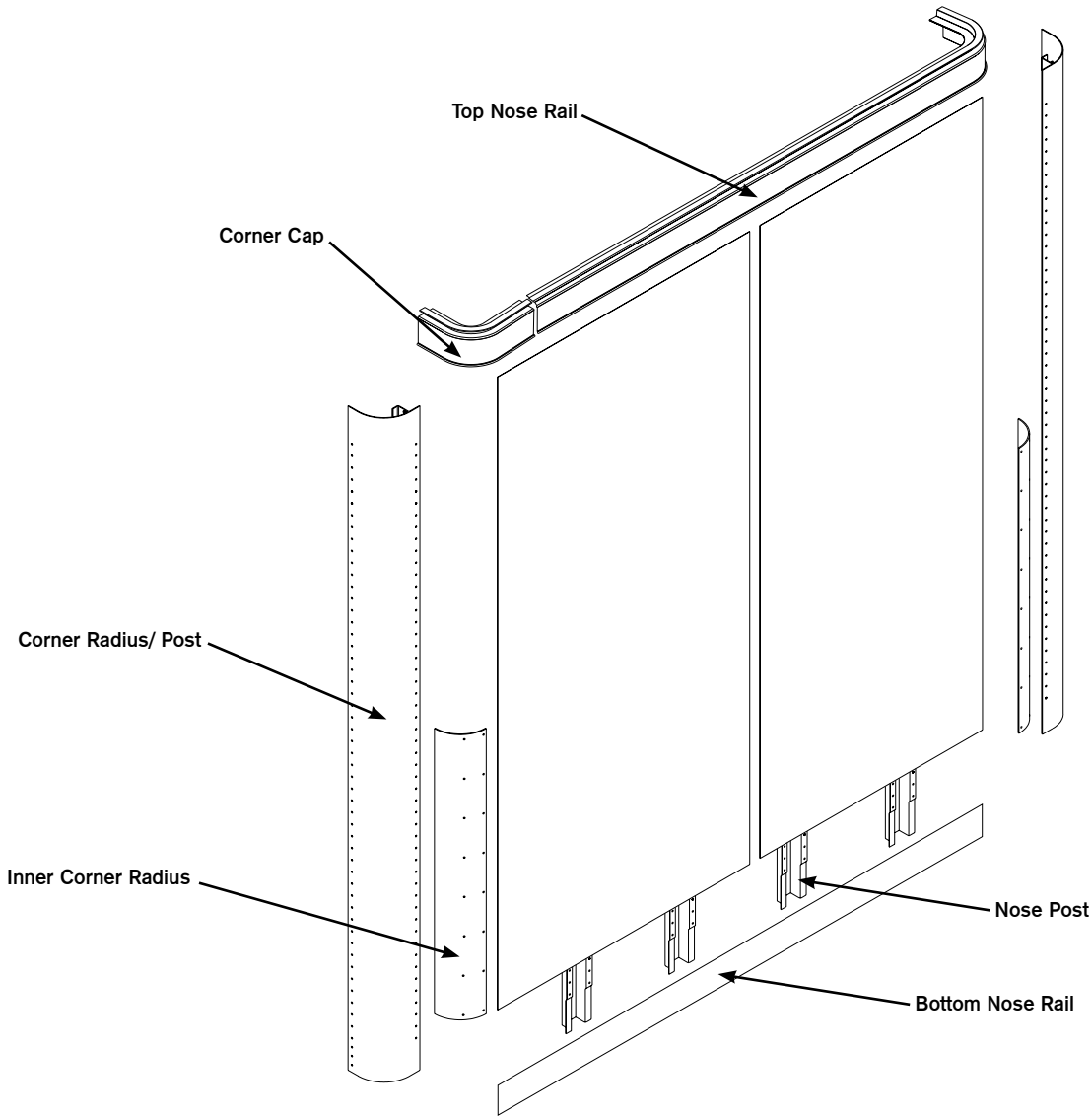
Quick Reference

Floor Screws

Part Number	Diameter	Thread	Length	Count
PROF5-516	1/4 in.	20	1.00 in.	100
PROF5-516B	1/4 in.	20	1.00 in.	1,000
PROF5-521	1/4 in.	20	1-1/4 in.	100
PROF5-521B	1/4 in.	20	1-1/4 in.	1,000
PROF5-527	1/4 in.	20	1-1/2 in.	100
PROF5-527B	1/4 in.	20	1-1/2 in.	1,000
PROF5-538	1/4 in.	20	2.00 in.	100
PROF5-538B	1/4 in.	20	2.00 in.	2,000
PROF5-543	1/4 in.	20	2-1/4 in.	100
PROF5-543B	1/4 in.	20	2-1/4 in.	1,500
PROF5-549	1/4 in.	20	2-1/2 in.	100
PROF5-549B	1/4 in.	20	2-1/2 in.	1,200
PROF5-560	1/4 in.	20	3.00 in.	100
PROF5-560B	1/4 in.	20	3.00 in.	1,000
PROF5-580	1/4 in.	20	4.00 in.	50
PROF5-580B	1/4 in.	20	4.00 in.	700
PROF5-603	1/4 in.	20	5.00 in.	50
PROF5-603B	1/4 in.	20	5.00 in.	500
PROF5-635	5/16 in.	18	3/4 in.	100

Part Number	Diameter	Thread	Length	Count
PROF5-640	5/16 in.	18	1.00 in.	100
PROF5-640B	5/16 in.	18	1.00 in.	1,000
PROF5-646	5/16 in.	18	1-1/4 in.	100
PROF5-651	5/16 in.	18	1-1/2 in.	100
PROF5-651B	5/16 in.	18	1-1/2 in.	1,800
PROF5-662	5/16 in.	18	2.00 in.	100
PROF5-662B	5/16 in.	18	2.00 in.	1,250
PROF5-668	5/16 in.	18	2-1/4 in.	100
PROF5-668B	5/16 in.	18	2-1/4 in.	1,000
PROF5-673	5/16 in.	18	2-1/2 in.	100
PROF5-673B	5/16 in.	18	2-1/2 in.	1,000
PROF5-684B	5/16 in.	18	3.00 in.	750
PROF5-690	5/16 in.	18	4.00 in.	50
PROF5-690B	5/16 in.	18	4.00 in.	500





BDY
Front Wall

FRUEHAUF

PROFIT

Corner Caps

Fruehauf

IMXGT-1200P

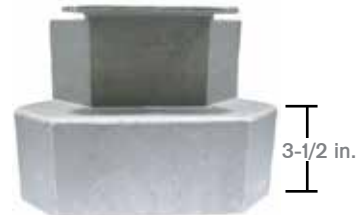


Material: Plastic **Type:** Universal
Height: 6-5/16 in.

Great Dane Style

CAP-GD01

Cross Ref: Great Dane# 40701232



Material: Aluminum **Type:** Universal
Height: 6-15/16 in. **Style:** Diagonal

Body Parts

Coner Caps

Great Dane Style

CAP-GD02

Cross Ref: Great Dane# 69104789



Material: Aluminum Type: Universal
Height: 6-3/8 in. Style: Round

CAP-GD03

Cross Ref: Great Dane# CC11100



Material: Aluminum
Height: 6-5/16 in. Style: Diagonal

Cross Reference	Location	
Great Dane# 43000090	Curbside	CAP-GD05
Great Dane# 43000089	Roadside	CAP-GD04



Material: Aluminum
Height: 6-1/2 in. Style: Plate

Cross Reference	Location	
Great Dane# 41202017	Curbside	CAP-GD11
Great Dane# 41202018	Roadside	CAP-GD09



Style: Round

Great Dane Style

Cross Reference	Location	
Great Dane# 43000301	Curbside	CAP-GD12
Great Dane# 43000302	Roadside	CAP-GD13



Material: Aluminum
Height: 6-3/8 in. Style: Composite

Hyundai Style

CAP-HY01

Cross Ref: Hyundai# 10014978



Material: Aluminum
Height: 6 in. Style: Beveled

Kentucky

KENM011002-1



Material: Aluminum
Length: 7-1/4 in. Style: Straight

KENM011016-1



Material: Aluminum
Height: 6-1/2 in. Style: Diagonal

BDY

Front Wall



Corner Caps

Lufkin

LUFD0065278



Material: Aluminum
 Length: 8 in. Radius: 6-1/16 in.

Manac Style

CAP-MA05

Cross Ref: Manac# 502-1053



Material: Aluminum

Miller Style

CAP-MR01

Cross Ref: Miller# 044-090200



Material: Aluminum
 Height: 6-1/16 in. Style: Diagonal

Monon Style

CAP-MN02

Cross Ref: Monon# A1042138



Material: Aluminum Type: Universal
 Height: 5-15/16 in.

Cross Reference	Location	
Monon# A1011089	Curbside	CAP-MN03
Monon# A1011090	Roadside	CAP-MN01



Material: Aluminum
 Height: 6 in. Style: Diagonal

Associated Product

Caulk

Sika	
Part Number	Color
SIK221-521	White
SIK221-522	Gray
SIK221-523	Black

Royal Adhesives	
Part Number	Color
SIL12176WHITE	White
SIL12154GREY	Gray

Manus-Bond	
Part Number	Color
MAN75AM-WHITE	White
MAN75AM-GREY	Gray



Body Parts

Corner Caps

Stoughton Style

CAP-ST01

Cross Ref: Stoughton# 04-12835-000-00



Material: Aluminum Type: Universal
 Height: 6 in. Style: Diagonal

Cross Reference	Location
Stoughton# 04-22044-100-00	Roadside
Stoughton# 04-22044-200-00	Curbside

CAP-ST02
CAP-ST03



Material: Aluminum Type: Universal
 Height: 7.00 in. Style: Diagonal

CAP-ST04

Cross Ref: Stoughton#04-19507-000-00



Material: Aluminum Type: Universal
 Height: 5-11/16 in. Style: Diagonal

Cross Reference	Location
Stoughton# 04-20624-100-00	Roadside
Stoughton# 04-20624-200-00	Curbside

CAP-ST06
CAP-ST05



Material: Aluminum Type: Universal
 Height: 7-1/8 in. Style: Diagonal

CAP-ST07

Cross Ref: Stoughton# 02-06831-013-44



Material: Aluminum Type: Universal
 Length: 13-7/16 in. Style: Straight

Strick Style

CAP-SK01

Cross Ref: Strick# AA65D0028010



Material: Aluminum Type: Universal
 Radius: 7.00 in.

CAP-SK02

Cross Ref: Strick# SK03500



Material: Aluminum Type: Universal
 Height: 5-11/16 in. Style: Diagonal
 Radius: 6-3/4 in.

BDY

Front Wall



Corner Caps

Strick Style

CAP-SK04

Cross Ref: Strick# SK54280



Material: Aluminum Type: Universal
Height: 4-3/4 in. Style: Round

CAP-SK06

Cross Ref: Strick# SK54960



Material: Aluminum Type: Universal
Height: 5-1/16 in. Style: Round

Trailmobile Style

CAP-TM01

Cross Ref: Trailmobile# 7511-A1-05



Material: Aluminum Type: Universal
Height: 6 in. Style: Round

CAP-TM02

Cross Ref: Trailmobile# 7511-A1-08



Material: Aluminum Type: Universal
Height: 5-15/16 in. Style: Round

Cross Reference	Location	
Trailmobile# 7511-A1-06L	Roadside	CAP-TM03
Trailmobile# 7511-A1-06R	Curbside	CAP-TM04



Material: Aluminum Type: Universal
Height: 6 in. Style: Round

Wabash

WAB0430002



Material: Aluminum Type: Universal
Height: 5-15/16 in. Style: Beveled

BDY

Front Wall

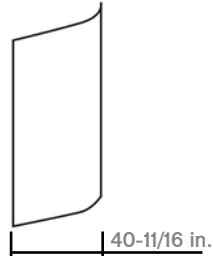


Body Parts

Corner Radius/ Posts

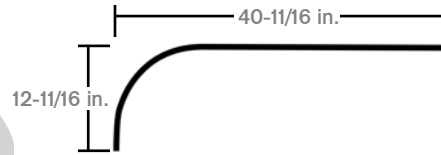
Fruehauf

FRUWCF9212-900



Material: Aluminum
Length: 110 in. Radius: 5 in.

FRUWCC8051-SPW

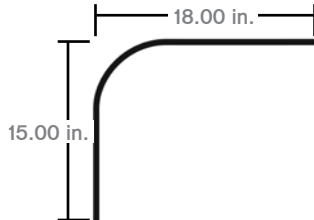


Material: Aluminum
Length: 110 in. Radius: 10 in.

Great Dane Style

CNR-GD01

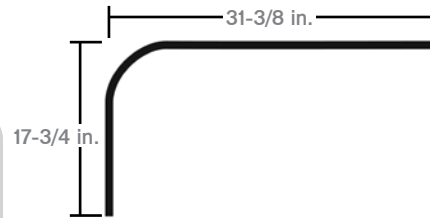
Cross Ref: Great Dane# 69102520



Material: Aluminum Color: White
Length: 110 in. Radius: 6 in.

CNR-GD02

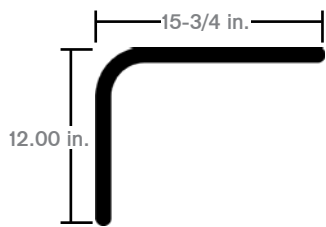
Cross Ref: Great Dane# 00600W



Material: Aluminum Color: White
Length: 114 in. Radius: 6 in.

CNR-GD03

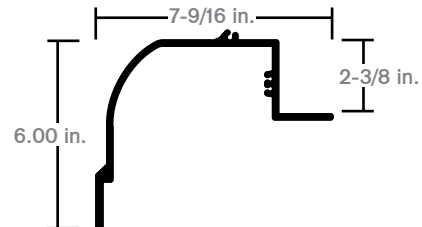
Cross Ref: Great Dane# 69104743004



Material: Aluminum
Length: 120 in. Radius: 3 in.

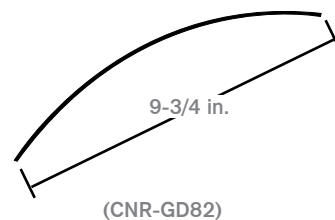
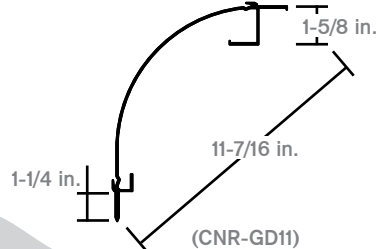
CNR-GD07

Cross Ref: Great Dane# 60430401X110-9/16



Material: Aluminum
Length: 110-9/16 in. Radius: 3 in.

	Type	Material	Length	Color	Radius	Cross Ref
CNR-GD11	Corner Radius	Aluminum	107-11/16 in.	Mill Finish	6 in.	Great Dane# 043-44418-01723
CNR-GD82	Corner Insert		109-1/16 in.			Great Dane# 40707547



BDY

Front Wall

FRUEHAUF

proFIT

Corner Radius/ Posts

Great Dane Style

CNR-GD43
Cross Ref: Great Dane# 60424421

Material: Aluminum Color: Mill Finish
Length: 116-5/16 in.

Hyundai Style

CNR-HY01
Cross Ref: Hyundai# 20032332

Material: Aluminum Color: White
Length: 109-5/8 in. Radius: 6 in.

Hyundai Style

CNR-HY02
Cross Ref: Hyundai# 20033886

Material: Aluminum Color: Mill Finish
Length: 103-5/8 in. Radius: 4 in.

CNR-HY03
Cross Ref: Hyundai# 10026152

Material: Aluminum Color: Mill Finish
Length: 103-5/8 in. Radius: 4 in.

CNR-HY06
Cross Ref: Hyundai# 20026492

Material: Aluminum Color: White
Length: 107-7/8 in. Radius: 5-15/16 in.

CNR-HY10
Cross Ref: Hyundai# 20056195

Material: Aluminum Color: White
Length: 102-15/16 in. Radius: 4 in.

CNR-HYAW
Cross Ref: Hyundai# 20084076

Material: Aluminum Color: White
Length: 110 in. Radius: 4 in.

CNR-HYQ5
Cross Ref: Hyundai# E05-041-103B

Material: Aluminum Color: Mill Finish
Length: 103-3/4 in. Radius: 5-7/8 in.

BDY

Front Wall

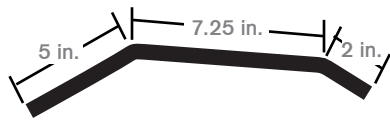


Body Parts

Corner Radius/ Posts

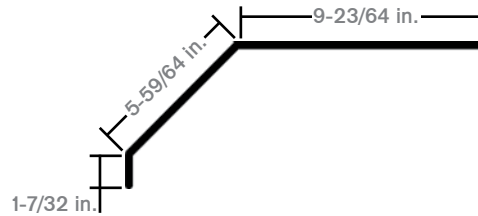
Kentucky

KENM014007-1



Length: 108-1/4 in.

KENM014039-1



Material: Aluminum
Length: 105 in.

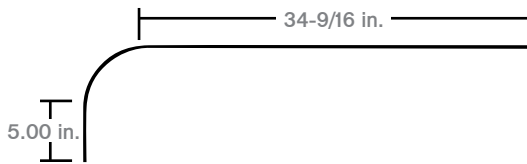
KENM014052-2



Material: Aluminum
Length: 110-5/16 in. Type: Diagonal

Lufkin

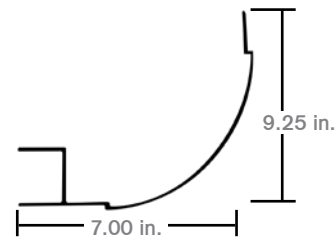
LUFPA65611



Material: Aluminum Color: White
Length: 110 in. Radius: 6 in.

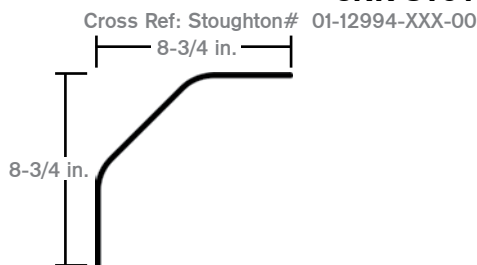
Manac Style

Cross Reference	Location	
Manac# 502-1151	Roadside	CNR-MA04



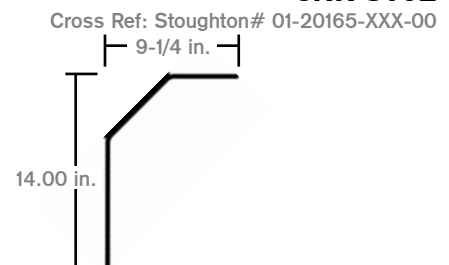
Stoughton Style

CNR-ST01



Material: Aluminum Color: White
Length: 107 in. Radius: 2 in.

CNR-ST02



Material: Aluminum Color: White
Length: 101-1/2 in. Style: Unpunched

BDY

Front Wall



Corner Radius/ Posts

Stoughton Style

CNR-ST03
 Cross Ref: Stoughton# 01-20893-105-00

Material: Aluminum Color: White
 Length: 101-1/2 in. Type: Universal

CNR-ST04
 Cross Ref: Stoughton# 01-22583-106-00

Material: Stainless Steel
 Length: 104-7/8 in.

Cross Reference	Location	
Stoughton# 01-27249-106-00	Roadside	CNR-ST36
Stoughton# 01-27249-206-00	Curbside	CNR-ST41

Length: 105 in.

Strick Style

CNR-SK01
 Cross Ref: Strick# SK47158

Material: Aluminum Color: White
 Length: 106-1/2 in. Radius: 7 in.

CNR-SK02
 Cross Ref: Strick# SK55567

Material: Aluminum Color: White
 Length: 105-1/2 in. Radius: 4 in.

Strick Style

CNR-SK10
 Cross Ref: Strick# SK58964

Material: Aluminum Radius: 4 in.
 Length: 106-1/2 in. Type: Universal

Trailmobile Style

CNR-TM01
 Cross Ref: Trailmobile# RP-115-MFA

Material: Aluminum Color: Mill Finish
 Length: 116-1/8 in. Radius: 7-13/16 in.

BDY

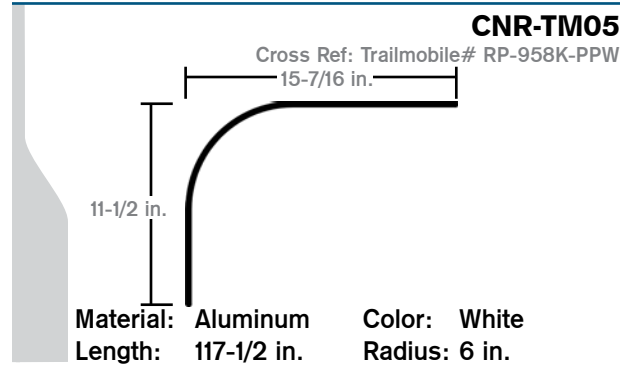
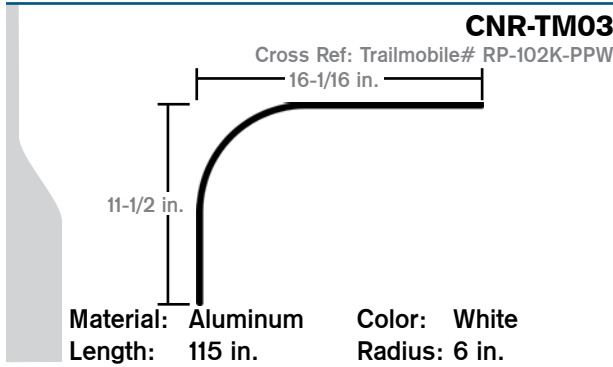
Front Wall



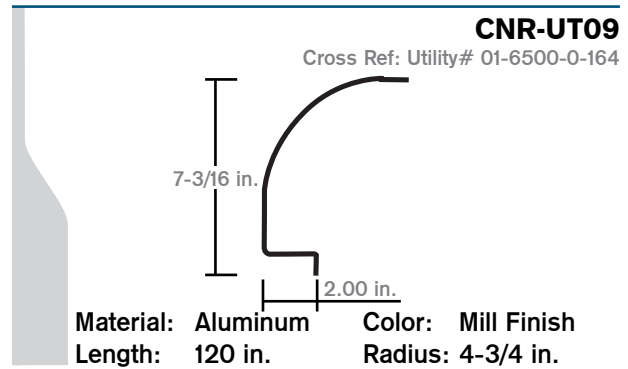
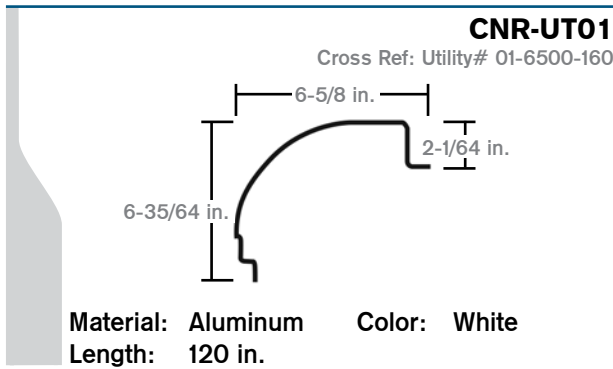
Body Parts

Corner Radius/ Posts

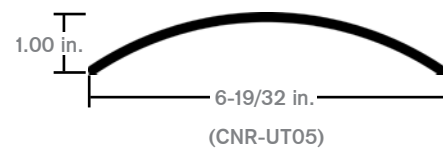
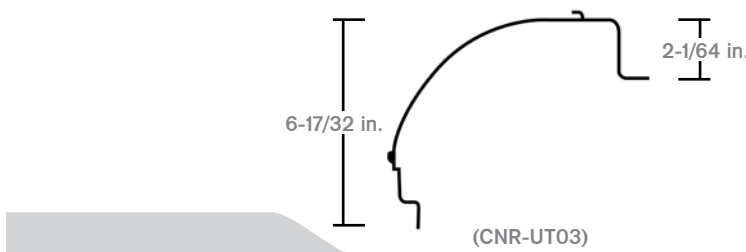
Trailmobile Style



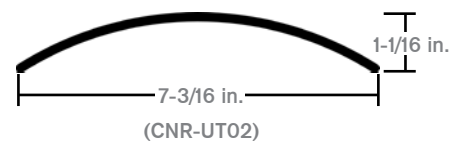
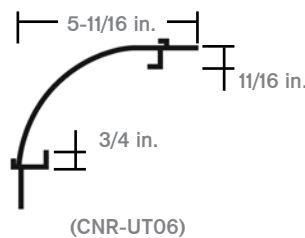
Utility Style



	Type	Material	Length	Color	Radius	Cross Ref
CNR-UT03	Corner Radius	Aluminum	120 in.	Mill Finish		Utility# 01-6500-159
CNR-UT05	Corner Insert	Stainless Steel	99 in.		6 in.	Utility# 03-2500-0-099



	Type	Material	Length	Color	Cross Ref
CNR-UT04	Corner Radius	Aluminum	116-1/2 in.	Mill Finish	Utility# 01-6500-156
CNR-UT06	Corner Radius	Aluminum	116-1/2 in.	White	Utility# 01-6500-155
CNR-UT02	Corner Insert	Stainless Steel	116 in.		Utility# 03-2500-098



BDY

Front Wall



Corner Radius/ Posts

Vanguard Style

CNR-VN01
 Cross Ref: Vanguard# EXT00012

 Material: Aluminum Color: Mill Finish
 Length: 110 in. Radius: 4-1/2 in.

Wabash Style

PNL8-19
 Cross Ref: Wabash# 01107162

 Material: Aluminum Color: PVC Coated, White
 Length: 110 in. Radius: 5 in.

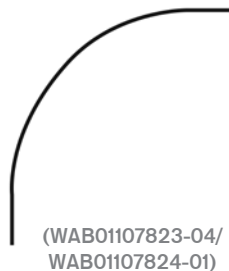
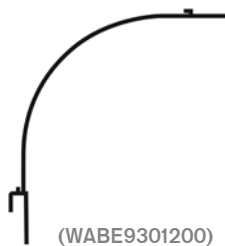
WABE8351200

 Material: Aluminum Color: Mill Finish
 Length: 120 in. Radius: 5 in.

WABE9261200

 Material: Aluminum Color: Mill Finish
 Length: 120 in. Radius: 5 in.

	Type	Material	Length	Color	Radius
WABE9301200	Corner Radius	Aluminum	120 in.	Mill Finish	5 in.
WAB01107823-04	Corner Insert	Galvanized Steel	109-1/4 in.	White	10 in.
WAB01107824-01	Corner Insert	Stainless Steel	115-1/4 in.		10 in.
WAB04A01083	Corner Protector	Aluminum Diamond Plate	18 in.		5 in.



More Information

Prevent Corrosion

Mylar Tape

Use Mylar tape between two dissimilar metals to prevent corrosion.

Features of Mylar Tape:

- Superior Strength
- Heat Resistant
- Excellent Insulating Properties

Part Number	Width	Length	Thickness
TAP1-1	3 in.	216 ft.	0.003 in.
TAP1-2	3-1/2 in.	216 ft.	0.003 in.
TAP1-7	4 in.	216 ft.	0.003 in.
TAP1-3	5 in.	216 ft.	0.003 in.

Body Parts

Corner Radius/ Posts

Wabash

Color	Material	Part Number
White	Aluminum	WAB04002634-1202
	Stainless Steel	WAB04002634-1201



Length: 102-5/8 in. Radius: 5 in.



WAB04A00331

Material: Aluminum Color: White
Length: 110 in. Radius: 10 in.



WABE0081200

Material: Aluminum Color: Mill Finish
Length: 120 in. Radius: 5 in.



WABE6141200

Material: Aluminum Color: Mill Finish
Length: 120 in. Radius: 5 in.

BDY

Front Wall

Quick Reference

Aluminum Brazier Rivets

Part Number	Diameter	Length	Head Diameter	Material	Count Per Pound
RVT6-222	3/16 in.	3/8 in.	1/2 in.	Hard	523
RVT6-223	3/16 in.	7/16 in.	1/2 in.	Hard	480
RVT6-224A	3/16 in.	1/2 in.	1/2 in.	Soft	443
RVT6-224	3/16 in.	1/2 in.	1/2 in.	Hard	443
RVT6-225	3/16 in.	9/16 in.	1/2 in.	Hard	411
RVT6-262	1/4 in.	3/8 in.	5/8 in.	Hard	257
RVT6-263	1/4 in.	7/16 in.	5/8 in.	Hard	238
RVT6-264A	1/4 in.	1/2 in.	5/8 in.	Soft	222
RVT6-264	1/4 in.	1/2 in.	5/8 in.	Hard	222
RVT6-265	1/4 in.	9/16 in.	5/8 in.	Hard	208



Inner Corner Radius

Great Dane Style

CNR-GD06
 Cross Ref: Great Dane# 43950111

 Material: 18 ga Steel
 Length: 96 in.

CNR-GD12
 Cross Ref: Great Dane# 41610383

 Material: Galvanized Steel
 Length: 96 in.

Hyundai Style

CNR-HY04
 Cross Ref: Hyundai# 20033941

 Material: Galvanized Steel
 Length: 108 in.

CNR-HY05
 Cross Ref: Hyundai# 20004933

 Material: Galvanized Steel
 Length: 106-7/8 in.

CNR-HY16
 Cross Ref: Hyundai# 20005584

 Material: Galvanized Steel
 Length: 106-3/8 in.

Cross Reference	Location	
Hyundai# 20011835	Roadside	CNR-HY34
Hyundai# 20012031	Curbside	CNR-HY23

 Material: Aluminum
 Length: 104-3/4 in.

Strick Style

CNR-SK03
 Cross Ref: Strick# STR06782

 Material: Galvanized Steel
 Length: 105 in.

BDY

Front Wall

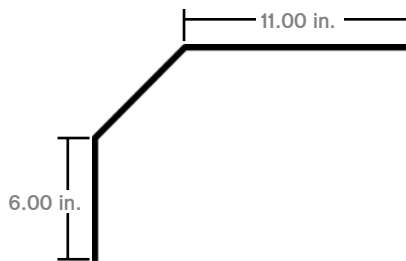


Body Parts

Inner Corner Radius

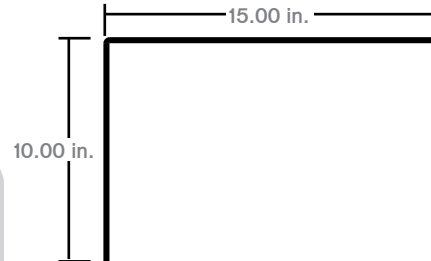
Wabash

WAB04A01164



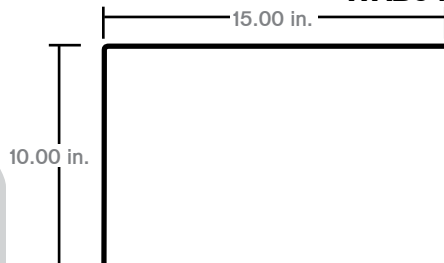
Material: Aluminum Color: White
Length: 108 in. Type: Reefer

WAB04A01969



Material: Aluminum Color: White
Length: 104 in. Type: Reefer

WAB04A02040



Material: Aluminum Color: White
Length: 101 in.

Nose Panels

Universal

	Thickness	Width	Length	Material	Type
PNL1-31	0.25 in.	45 in.	96 in.	DuraPlate®	Square Edge
PNL1-32	0.25 in.	48 in.	96 in.	DuraPlate®	Square Edge
PNL1-48	0.251 in.	48 in.	103 in.	DuraPlate®	Shiplap

Bonded

	Thickness	Width	Length	Material	Color
WAB04003672-05	7.5 mm.	93 in.	108 in.	DuraPlate®	White
WAB53003602	7.5 mm.	92 in.	108 in.	DuraPlate®	Averitt Gray
WAB04003672-06	7.5 mm.	92 in.	103 in.	DuraPlate®	White

Wabash

More Information

www.MyAuroraPlus.com

Need more information on a particular trailer? Log into www.MyAuroraPlus.com for Aurora's Graphical Bill of Material (GBOM). Easily point and click through visual elements of a trailer to drill down to an individual trailer component.

BDY

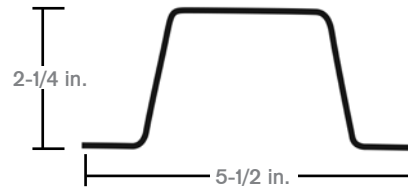
Front Wall



Nose Posts

Fruehauf

FRUWNE2548-3

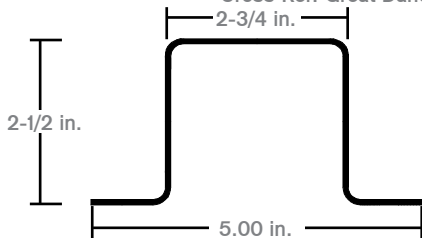


Material: Steel
Length: 107-5/8 in.

Great Dane Style

CNR-GD66

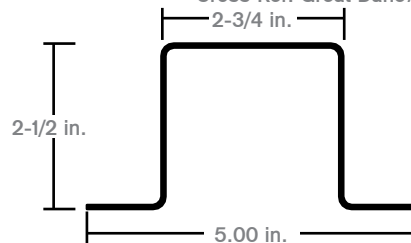
Cross Ref: Great Dane# 40915001



Material: Galvanized Steel
Length: 115 in. **Style:** Punched

NPO-GD02

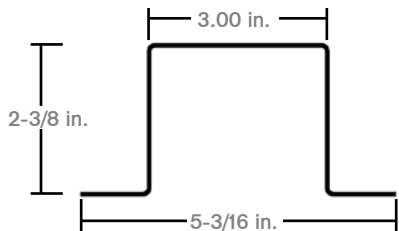
Cross Ref: Great Dane# 40907302



Material: Galvanized Steel
Length: 114-3/8 in.

NPO-GD04

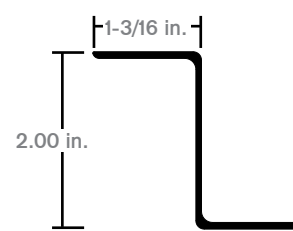
Cross Ref: Great Dane# 40911501



Material: Steel
Length: 115-5/8 in.

NPO-GD05

Cross Ref: Great Dane# 60409012X125.87

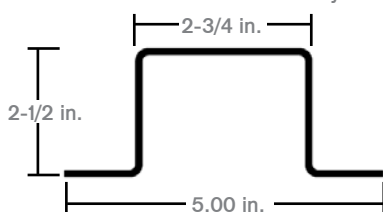


Material: Aluminum **Style:** Super Seal Reeper
Length: 125-7/8 in.

Hyundai Style

NPO-HY01

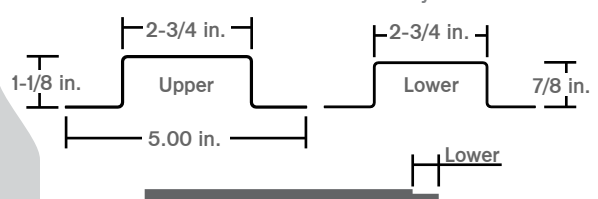
Cross Ref: Hyundai# 20010724



Material: Steel
Length: 106-9/16 in.

NPO-HY02

Cross Ref: Hyundai# 20011744



Material: Steel **Style:** 4-1/8 in. Notch
Length: 103-5/16 in.

BDY

Front Wall



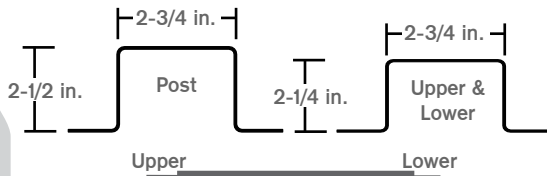
Body Parts

Nose Posts

Hyundai Style

NPO-HY03

Cross Ref: Hyundai# 20064923

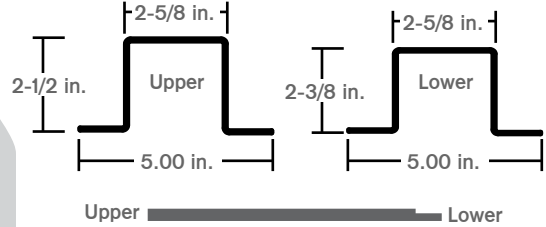


Material: 14 ga. Steel
Length: 106-5/8 in.

Stoughton Style

NPO-ST01

Cross Ref: Stoughton# 03-12991-110-00

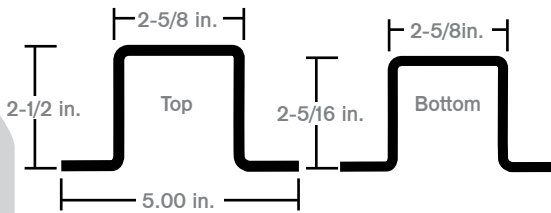


Material: 18 ga. Galvanized Steel
Length: 110 in.

Stoughton Style

SPO-ST11

Cross Ref: Stoughton# 01-19981-006-00

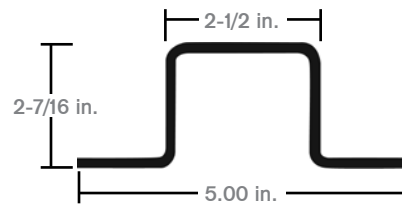


Material: Galvanized Steel
Length: 107-3/8 in. Style: Punched

Trailmobile Style

NPO-TM01

Cross Ref: Trailmobile# 90-4-2400-O-117

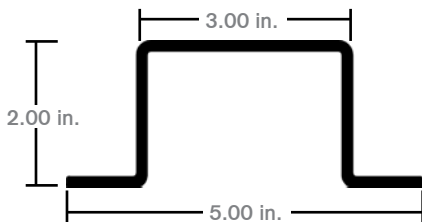


Material: Steel
Length: 117 in.

Utility Style

NPO-UT02

Cross Ref: Utility# 03-6512-0-042

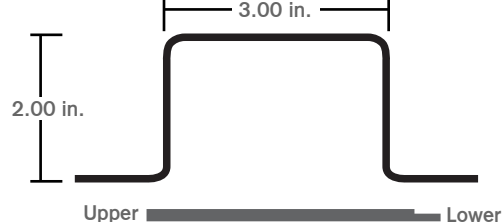


Material: Galvanized Steel
Length: 116 in.

Vanguard Style

NPO-VN01

Cross Ref: Vanguard# FWP00047



Material: Galvanized Steel
Length: 108-7/16 in. Style: Punched

BDY

Front Wall



Pro-Fit

OEM Precision Products



Pro-Fit all-makes product line consists of parts that are precision engineered as a direct fit for the original OEM component. Through Pro-Fit, Aurora offers direct-fit replacement parts for all brands of trailers.

Nose Posts

Wabash

WAB04000967

Material: Steel Style: Freight Pro
Length: 107-7/8 in.

WAB04S00020

Material: Galvanized Steel
Length: 110 in.

WABE0631100

Material: Aluminum
Length: 110 in. Type: Reefer

WABNP031090

Material: Galvanized Steel
Length: 109 in.

BDY
Front Wall



Application Chart
Rivet Drill Hole Size

Rivet Diameter	Hole Size	Drill Bit
1/8 in.	0.125 - 0.135	DRLBG-125
5/32 in.	0.156 - 0.171	DRLBG-156
3/16 in.	0.187 - 0.202	DRLBG-194
7/32 in.	0.218 - 0.233	DRLBG-219
1/4 in.	0.250 - 0.265	DRLBG-257
9/32 in.	0.281 - 0.296	DRLBG-281
5/16 in.	0.312 - 0.327	DRLBG-312
11/32 in.	0.343 - 0.358	DRLBG-344
3/8 in.	0.375 - 0.390	DRLBG-375
13/32 in.	0.406 - 0.421	DRLBG-406

Body Parts

Nose Rails: Bottom

Great Dane Style

NSR-GD03
 Cross Ref: Great Dane# 43950316

Material: Aluminum
 Length: 101-11/16 in. Radius: 6 in.

NSR-GD05
 Cross Ref: Great Dane# 41203178

Material: Aluminum
 Length: 101-5/8 in. Radius: 6 in.

Great Dane Style

NSR-GD09
 Cross Ref: Great Dane# 60430464X093.00

Material: Aluminum
 Length: 93 in.

Trailmobile Style

Cross Reference	Location	
Trailmobile# 511-1-137L-B-A	Roadside	NSR-TM02
Trailmobile# 511-1-137R-B-A	Curbside	NSR-TM03

Material: Aluminum
 Radius: 6 in.

Wabash

WAB04A00376

Material: Aluminum
 Length: 101-5/8 in. Radius: 9-7/8 in.

WAB04A02522

Material: Aluminum
 Length: 101-5/8 in. Type: Freight Pro
 Radius: 5-1/8 in.

BDY

Front Wall

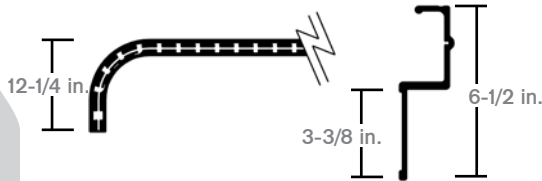


Nose Rails: Top

Dorsey Style

NSR-DY01

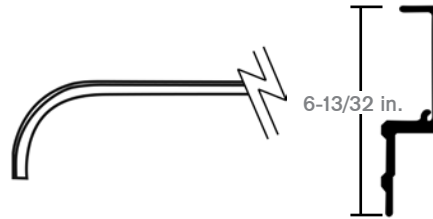
Cross Ref: Dorsey# 251128702



Material: Aluminum Trailer: 102 in.
Length: 102-7/16 in. Radius: 6 in.

Fruehauf

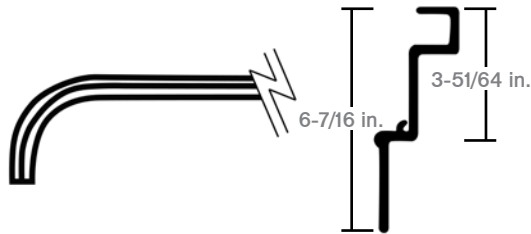
FRUWCF3959-1



Material: Aluminum Trailer: 102 in.
Length: 101-3/8 in. Radius: 10-1/4 in.

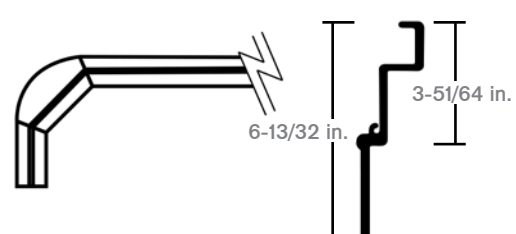
Fruehauf

FRUWCF5903-901



Material: Aluminum Trailer: 102 in.
Length: 101-3/8 in. Radius: 10-1/4 in.

FRUWCF9003-2

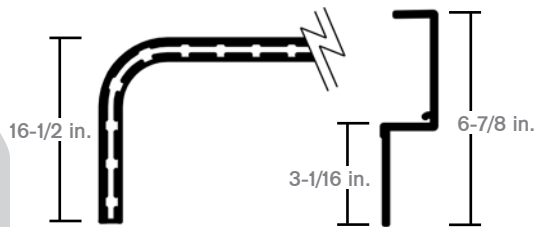


Material: Aluminum Trailer: 102 in.
Length: 101-3/8 in. Radius: 5 in.

Great Dane Style

NSR-GD01

Cross Ref: Great Dane# 69103212

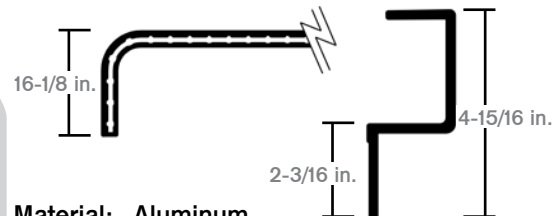


Material: Aluminum
Length: 101-3/4 in. Radius: 6 in.

Cross Reference	Length
Great Dane# 41203163	101-7/8 in.
Great Dane# 41203162	95-1/2 in.

NSR-GD02

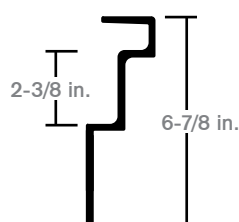
NSR-GD06



Material: Aluminum
Radius: 6 in.

NSR-GD07

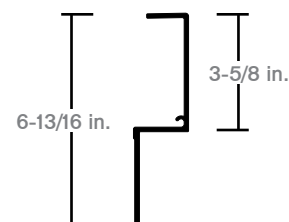
Cross Ref: Great Dane# 60311601



Material: Aluminum
Length: 91-1/4 in. Type: Straight

NSR-GD16

Cross Ref: Great Dane# 60310111X093.00



Material: Aluminum
Length: 93 in. Type: Straight

BDY

Front Wall

FRUEHAUF

proFIT

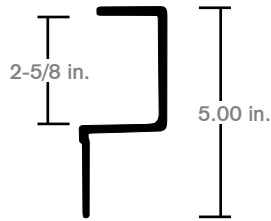
Body Parts

Nose Rails: Top

Great Dane Style

NSR-GD24

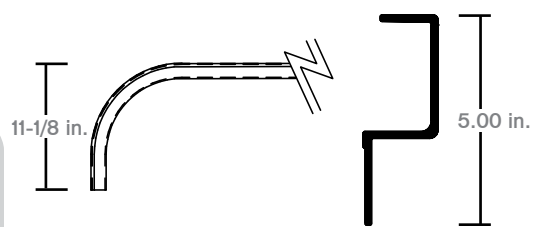
Cross Ref: Great Dane# 32012001



Material: Aluminum
Length: 102 in. Type: Straight

NSR-GD26

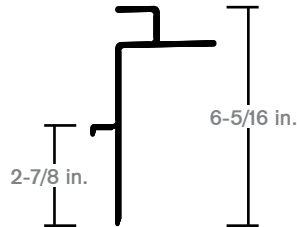
Cross Ref: Great Dane# 41201977



Material: Aluminum
Length: 101-13/16 in.

NSR-GD30

Cross Ref: Great Dane# 60318827X093.00

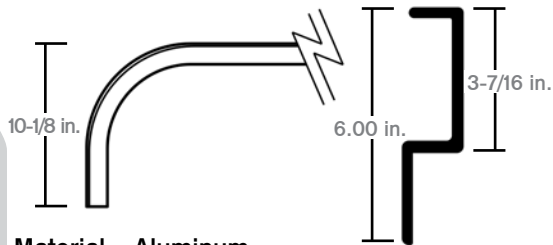


Material: Aluminum
Length: 93 in. Type: Straight

Hyundai Style

NSR-HY01

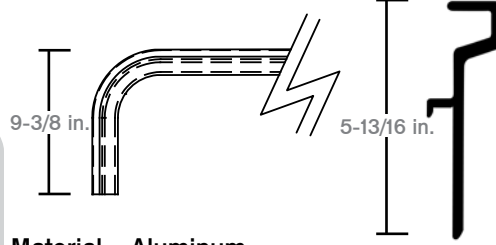
Cross Ref: Hyundai# 10003146



Material: Aluminum
Length: 102-1/8 in. Radius: 6 in.

NSR-HY02

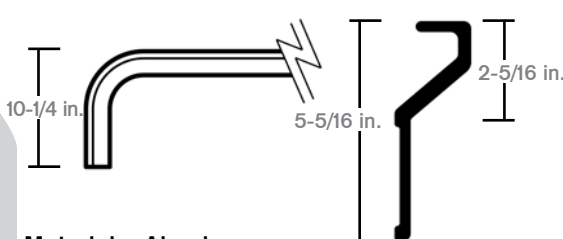
Cross Ref: Hyundai# 10021329



Material: Aluminum
Length: 101-1/2 in. Radius: 4 in.

NSR-HY03

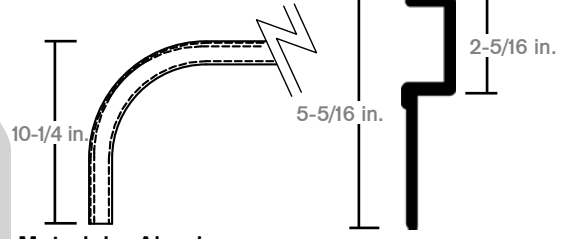
Cross Ref: Hyundai# 10016265



Material: Aluminum
Length: 101-7/8 in. Radius: 4 in.

NSR-HY06

Cross Ref: Hyundai# 10005195



Material: Aluminum
Length: 102-11/16 in. Radius: 6 in.

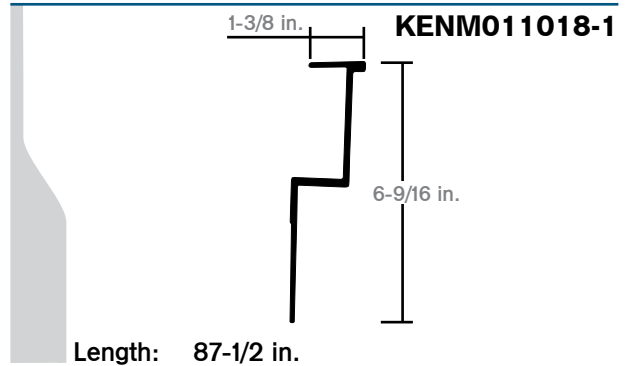
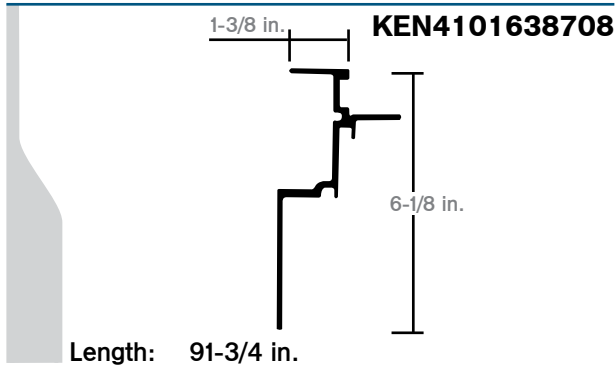
BDY

Front Wall

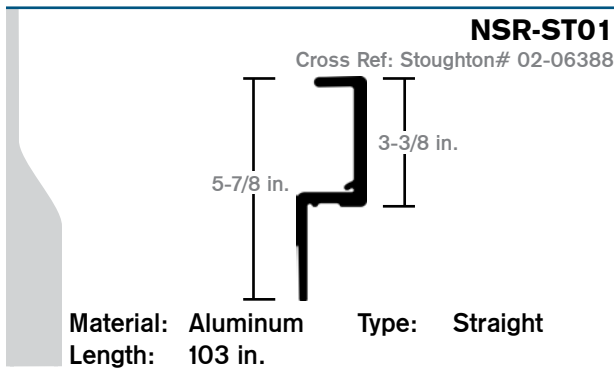


Nose Rails: Top

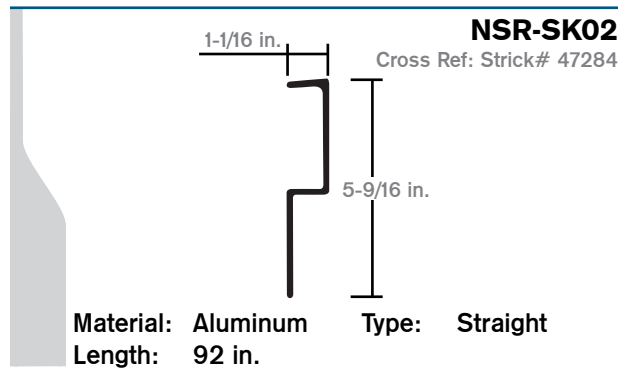
Kentucky



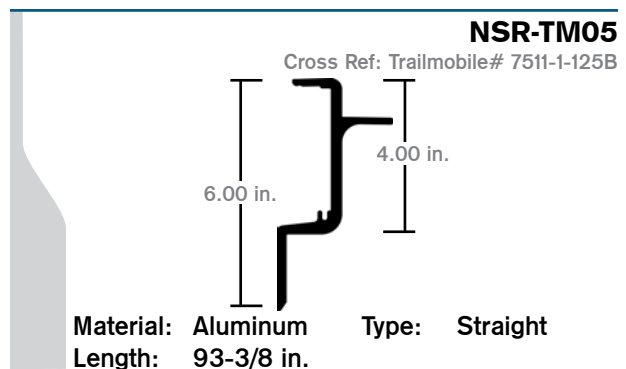
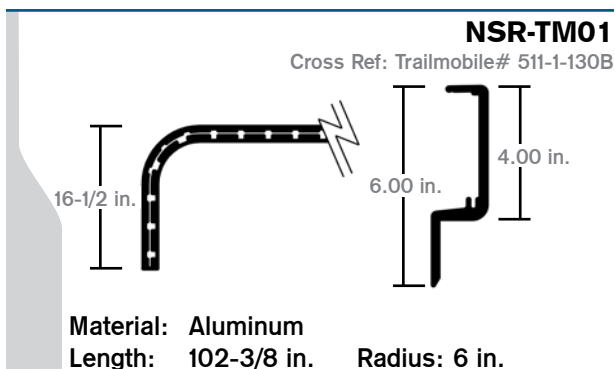
Stoughton Style



Strick Style



Trailmobile Style



BDY

Front Wall



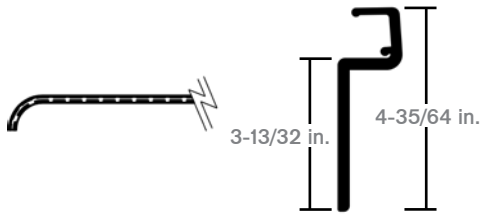
Body Parts

Nose Rails: Top

Utility Style

NSR-UT01

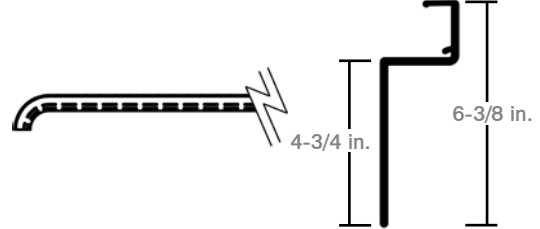
Cross Ref: Utility# 03-6650-0-510



Material: Aluminum
Length: 102.00 in. Radius: 6.00 in.

NSR-UT02

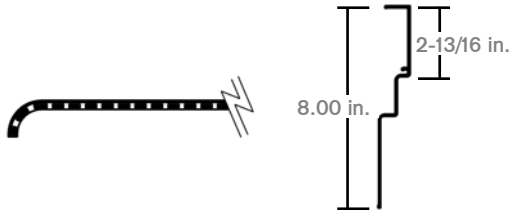
Cross Ref: Utility# 03-6650-0-423



Material: Aluminum
Length: 102-1/8 in. Radius: 4-3/4 in.

NSR-UT03

Cross Ref: Utility# 03-6650-0-310

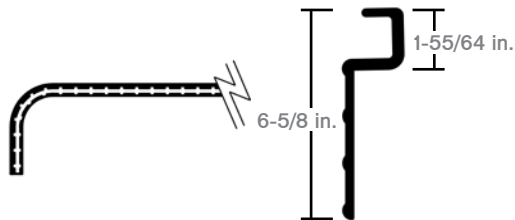


Material: Aluminum
Length: 101-3/4 in. Radius: 3-1/2 in.

Vanguard Style

NSR-VN01

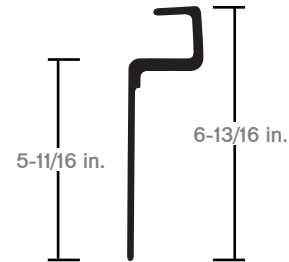
Cross Ref: Vanguard# FWP00100



Material: Aluminum
Length: 102-3/8 in. Radius: 5 in.

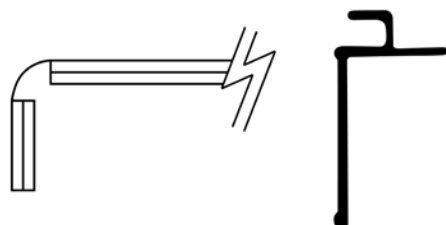
NSR-VN06

Cross Ref: Vanguard# FWP00178



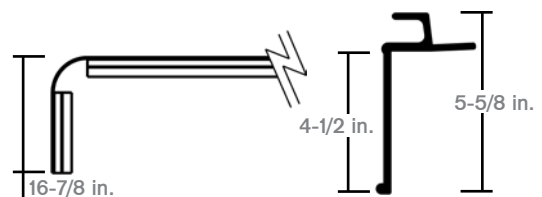
Wabash

WAB04000001



Material: Aluminum Trailer: 102 in.
Radius: 5 in.

WAB04000595



Material: Aluminum Type: Punched
Length: 91-5/8 in. Radius: 5 in.

BDY

Front Wall



Nose Rails: Top

Wabash

WAB04000700

Material: Aluminum
Length: 99-1/8 in.

Type: Reefer, Beveled

WAB04A00005

Material: Aluminum
Length: 101-5/8 in.

Radius: 10 in.

WAB04A00211

Material: Aluminum
Return: 101-5/8 in.

Radius: 5 in.

WAB04A00218

Material: Aluminum
Length: 102 in.

Radius: 5 in.

WAB04A00238

Material: Aluminum
Length: 95-5/8 in.

Radius: 5 in.

WAB04A00735

Material: Aluminum
Length: 101-3/4 in.

Type: Reefer
Radius: 10 in.

WAB04A00800

Material: Aluminum
Length: 101-3/4 in.

Radius: 5 in.

Includes	Type	
Complete Rail	Rail	WAB04A01826
Lower Angle Splices + Outside Cap + Upper Angle	Corner Kit	WAB04000924

Material: Aluminum
Length: 101-5/8 in.

Radius: 5 in.

BDY


Front Wall

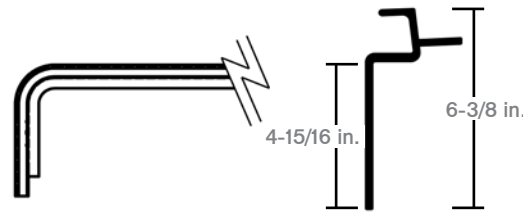


Body Parts

Nose Rails: Top

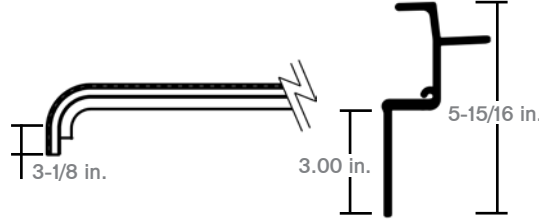
Wabash

	Type	
	Punched	WAB04A02158
	Unpunched	WAB04A02675



Material: Aluminum Type: Offset
 Length: 102-1/16 in. Radius: 5 in.

WAB04A02474



Material: Aluminum Type: Freightpro
 Length: 101-3/4 in. Radius: 5 in.

BDY

Front Wall

More Information

Caulking

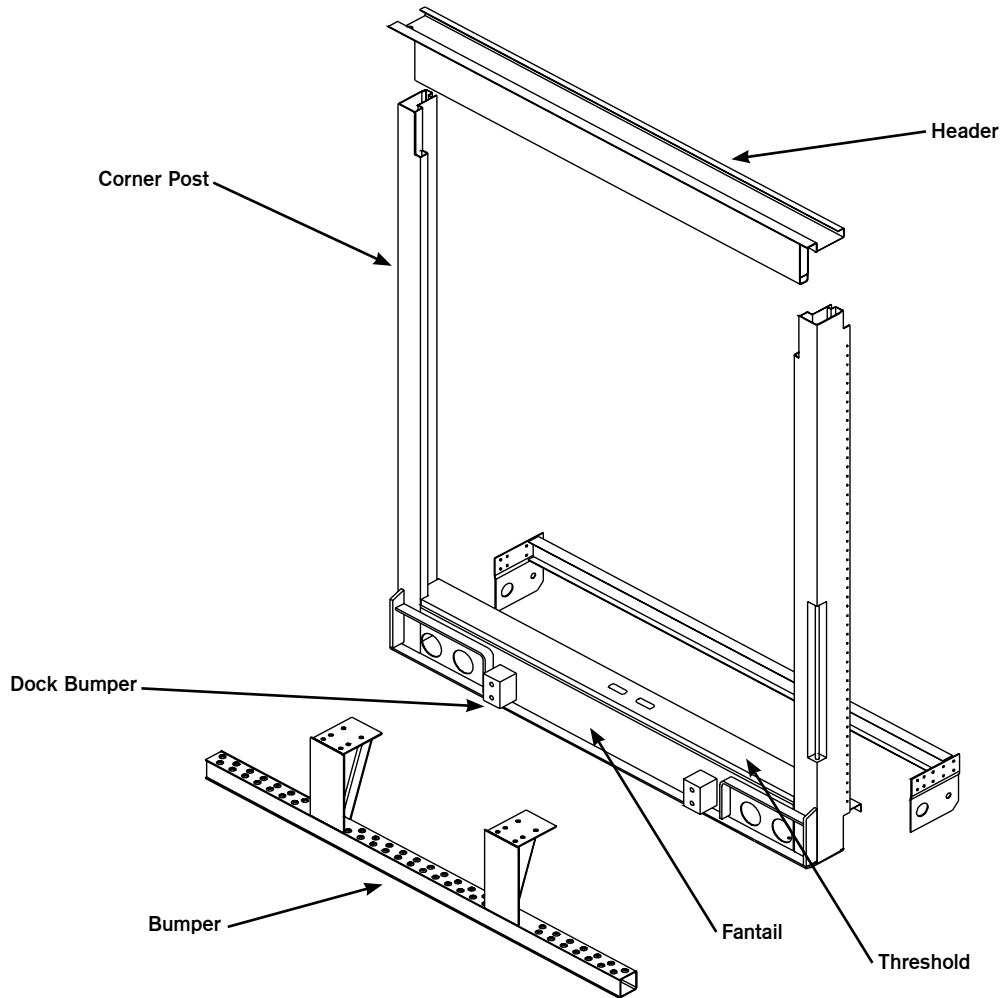
Caulking can be applied to a large number of substrates. It is great for rails because it is resistant to aging and weathering.

Make sure to store below 77 degrees Fahrenheit.

For more caulking options, visit the sealants section of this catalog.

Part Number	Color	Size
SIK221-521	White	10.1 oz Cartridge
SIK221-522	Gray	10.1 oz Cartridge
SIK221-523	Black	10.1 oz Cartridge



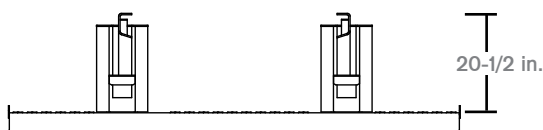


Bumper Assemblies

Hyundai Style

BMP-HY08

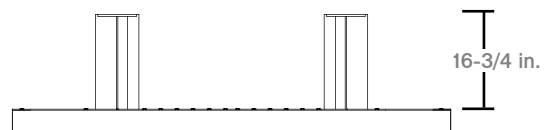
Cross Ref: Hyundai# VT4400GXX02901



Material: Galvanized Steel
Length: 94-3/4 in.

BMP-HY01D

Cross Ref: Hyundai# VT4400GXX00102



Material: Galvanized Steel Type: ICC
Length: 94-3/4 in. Includes: DOT Sticker

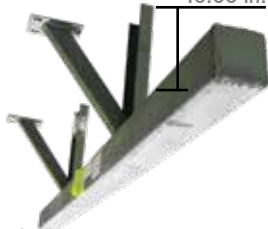
Body Parts

Bumper Assemblies

Stoughton Style

BMP-ST12

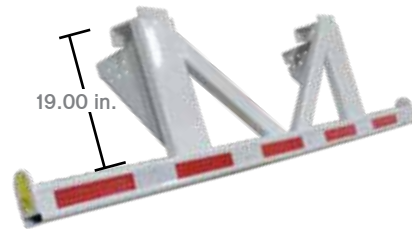
Cross Ref: Stoughton# 280332500000
16.00 in.



Material: Steel Type: ICC
Length: 88-3/8 in.

Universal

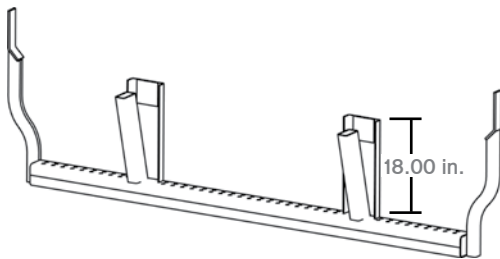
BMP-UN02



Material: Carbon Steel Type: ICC Bolt On
Length: 95-1/2 in.

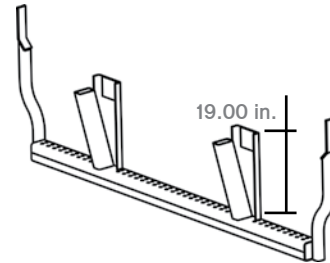
Wabash

WAB05000357



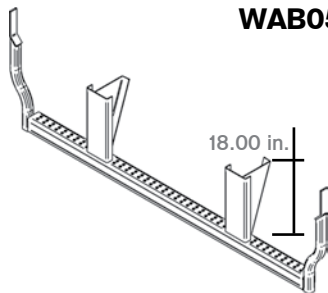
Material: Steel Type: ICC
Length: 94 in.

WAB05000379



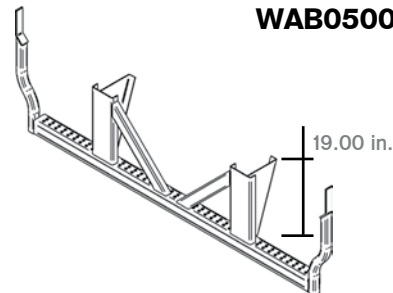
Material: Steel Type: ICC
Length: 94 in.

WAB05001230



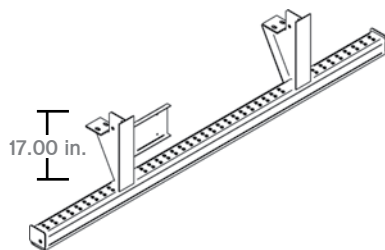
Material: Steel Type: ICC
Length: 95 in.

WAB05001570



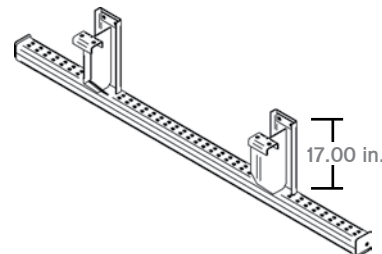
Material: Steel Color: White
Length: 90 in. Type: ICC

WAB05001843



Material: Steel Type: Bolt On
Length: 94 in. Style: Freight Pro

WAB05002518



Material: Steel Type: ICC Bolt-On
Length: 94 in. Style: Poched

BDY

Rear Wall



Bumper Assemblies

Wabash

Material
Carbon **WAB05003619-07**
Galvanized Steel **WAB05003619-07GALV**

Length: 94 in. Type: Canadian ICC
Style: Pooched

WAB05003656-07

Material: Carbon
Length: 94 in.

Material
Steel **WAB05003748-07**
Galvanized Steel **WAB05006821-07GALV**

Length: 94 in. Type: Complete

WAB05004143-09

Material: Steel Type: ICC
Length: 88-3/8 in.

WAB05004435-03

Material: Steel Type: Pooched
Length: 90-3/4 in. Bolt On

WAB05004435-05

Material: Steel Type: ICC
Length: 94-3/8 in.

WAB05004436-04

Material: Carbon Steel Type: ICC
Length: 94-25/64 in. Style: Pooched

WAB05006249-04

Material: Galvanized Steel
Length: 94 in.

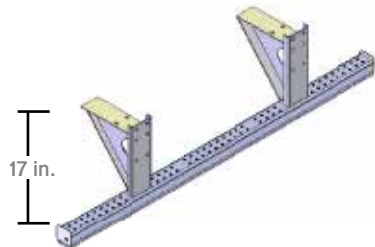
BDY
Rear Wall



Bumper Assemblies

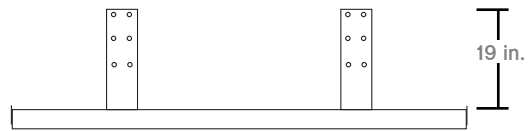
Wabash

WAB05006821-07



Material: Steel
Length: 94 in.

WAB05006841-07



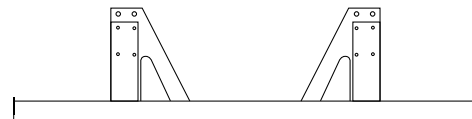
Material: Stainless Steel Type: ICC
Length: 94 in.

WAB05006841-11



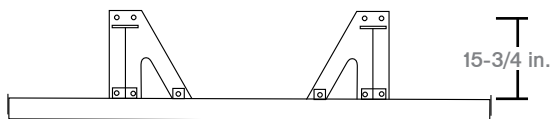
Material: Stainless Steel
Length: 94 in.

WAB05006979-07GALV



Material: Galvanized Steel
Length: 94 in.

WAB05007540



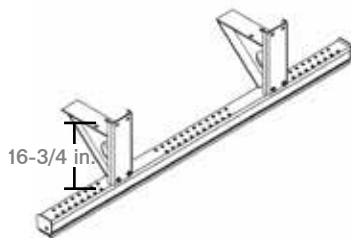
Material: Galvanized Steel Type: ICC
Length: 90-3/4 in.

WAB05007046-07



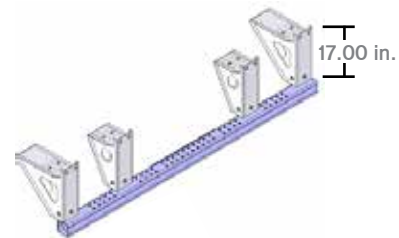
Material: Steel Type: Bolt On White
Length: 94 in.

WAB05007051-11



Material: Stainless Steel Type: ICC
Length: 94 in.

WAB05009443GALV



Material: Galvanized Steel
Length: 96 in.

BDY

Rear Wall



Bumper Assemblies

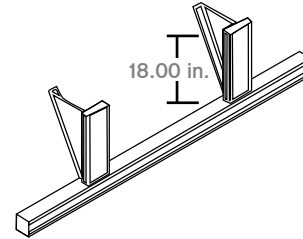
Wabash

WAB53001014



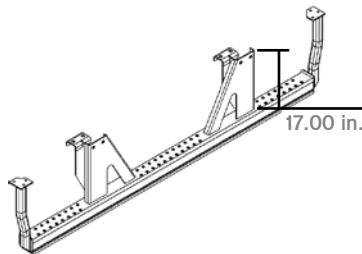
Material: Steel Type: ICC
Length: 90 in.

WAB53001062



Material: Steel Type: ICC
Length: 95 in.

WAB53001118



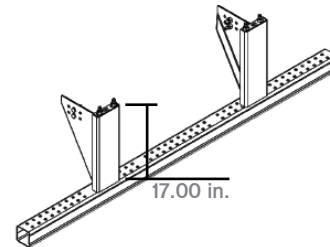
Material: Stainless Steel Type: ICC
Length: 94 in.

WAB53001641



Material: Steel Type: ICC
Length: 95 in.

WAB53003207



Material: Carbon Steel
Length: 95 in.

Quick Reference

Stop/Turn/Tail Light

Part Number	Color	Diodes	Type	Size
PROLED40-18R	Red	18	Round	4 in.
PROLED40-18A	Amber	18	Round	4 in.
PROLED40-18RCL	Red with clear lens	18	Round	4 in.
PROLED40-18ACL	Amber with clear lens	18	Round	4 in.
TRU4050	Red	24	4 in.	
TRU4050A	Yellow	24	Round	4 in.
TRU4051	Red with clear lens	24	Round	4 in.
TRU4051A	Yellow with clear lens	24	Round	4 in.



BDY

Rear Wall

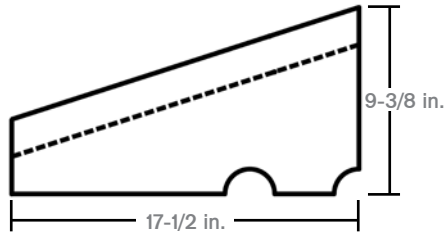


Body Parts

Bumper Braces

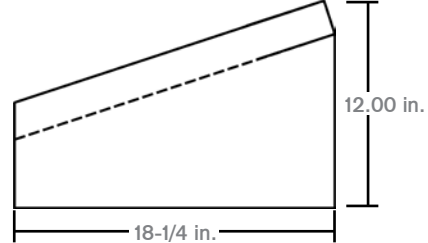
Wabash

Location
 Curbside **WAB05S00063**
 Roadside **WAB05S00064**



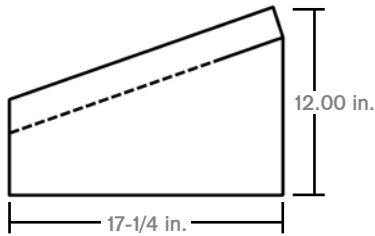
Material: Steel

Location
 Curbside **WAB05S03472**
 Roadside **WAB05S03473**



Material: Steel

Location
 Curbside **WAB05S04066**
 Roadside **WAB05S04067**

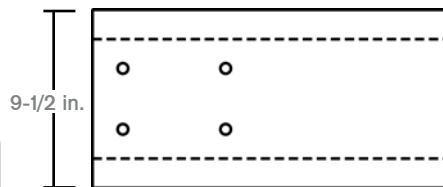


Material: Steel

Bumper Legs

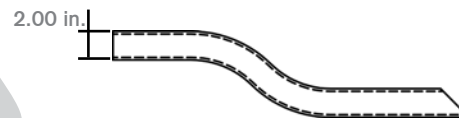
Wabash

WAB05S00041



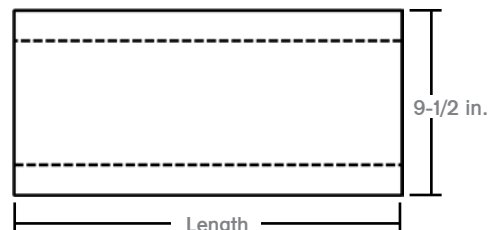
Material: Steel
 Length: 19 in.
 Type: Vertical Bumper Channel

WAB05S03000



Material: Steel
 Length: 25 in.
 Type: Angle Cut

	Length
WAB05S00040	14 in.
WAB05S00780	18 in.
WAB05S00034	19 in.
WAB05S00142	20 in.



Material: Steel
 Type: Vertical Bumper Channel

BDY

Rear Wall



Bumper Legs

Wabash

Location	Part Number
Roadside	WAB05S14772-02
Curbside	WAB05S14771-02

Material: Steel
Length: 17 in.

WAB05S14764-02

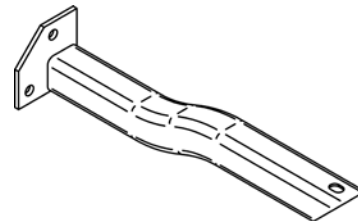
Material: Steel
Length: 19-15/16 in.

Part Number	Location	Material
WAB05004168-02	Curbside	Steel
WAB05004168-02GALV	Curbside	Galvanized Steel
WAB05004157-02	Roadside	Steel
WAB05004157-02GALV	Roadside	Galvanized Steel



Length: 17 in.

Part Number	Length	Material
WAB05004211-02	17 in.	Steel
WAB05004211-05	17 in.	Stainless Steel
WAB05004211-08	17 in.	Galvanized Steel



Type: Outboard Vertical Install
Kit of 2 with hardware

Uprights

WAB05004216-03

Material: Steel
Length: 17 in.

Universal for
WAB05004435-03

Uprights

Location	Part Number
Roadside	WAB05006822-04
Curbside	WAB05006823-04

Material: Steel
Length: 17 in.

BDY
Rear Wall



See Safety, Security & Accessories Section

Conspicuity Tape

Body Parts

Bumper Tubing

Transcraft

BBTP7160-0132-004



Material: Aluminum Type: ICC
Length: 97 in.

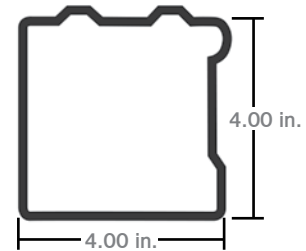
BBTP8260-0015



Material: Aluminum
Length: 97 in.

SAF-Holland

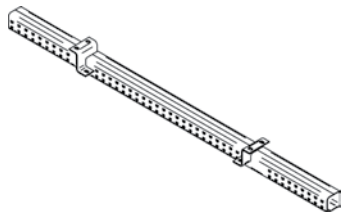
	Length	Material	Additional
BINTB-0273B-07L7N1	90 in.		No DOT Sticker
BINTB-0273	94 in.	Steel	Pooched
BINTB027307V5N002D	94-3/8 in.	Steel	-
BINTB027307W6N002D	95 in.	Steel	-



Stoughton Style

BMP-ST01

Cross Ref: Stoughton# 28-03343-001-00



Material: Steel Type: TB Pooched Bolt On
Length: 94 in.

Universal

MFPTUBE3



Material: Steel Color: White
Length: 95 in.

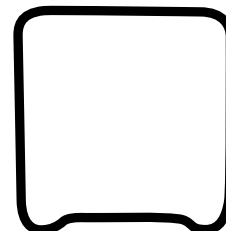
Universal

BMP-UN01S



Material: Stainless Steel, Gray
Length: 95-1/2 in.

BMP-UN03



Material: Type: Pooched
Length: 94 in.

BDY

Rear Wall

Transcraft

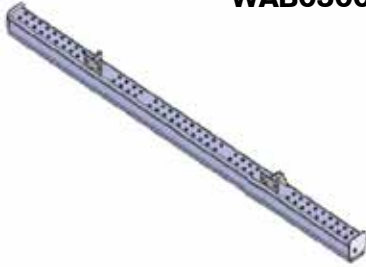
SAF-Holland

pro-T

Bumper Tubing

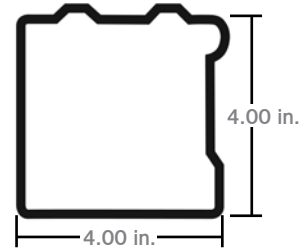
Wabash

WAB05003747-02



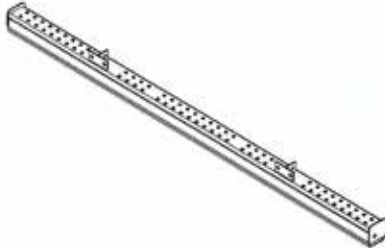
Material: Carbon Steel Type: Bolt-On
Length: 94 in.

WAB05004454



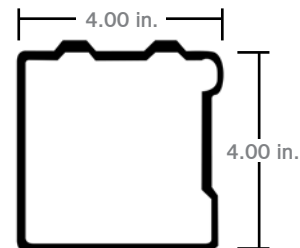
Material: Stainless Steel Type: Poached
Length: 95 in. Bumber Tube for Assy 05004438

WAB05005128GALV



Material: Galvanized Steel
Length: 94 in.

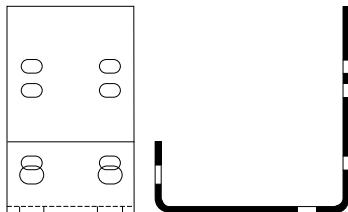
WAB05200003-01 GALV



Material: Galvanized Steel Type: Horizontal
Length: 94 in.

Bumper Accessories

**Leg Mounting Angle
WAB05S16192**



Material: Steel

**ICC Bumper Bolt Kit
WAB05004514**



8 Bolts, 8 Nuts

**Bracket
WAB25100211GALV**



Material: Galvanized Steel

BDY

Rear Wall



Body Parts

Fantail Components

Transcraft

Rear Plate Assembly BBT5180-0079



Material: Aluminum
Length: 98-1/8 in.

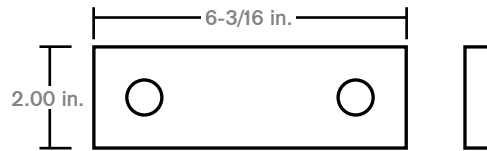
Fruehauf

Plate, Black

Info

Single Plate **FRUFCF0779-1**

Kit: (2 Plates, 2 Studs, 8 Nuts) **FRUFCF0779-900**



Material: Steel

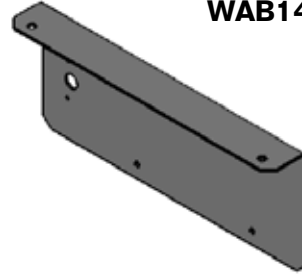
Wabash

Splice Cover WAB01A02295



Material: Aluminum
Length: 3 in.

License Plate Bracket WAB14S00842-01



Material: Steel

Light Box WAB14S00876



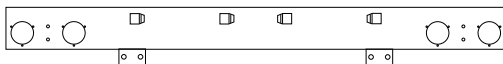
Material: Steel
Length: 23-1/2 in.

License Plate Bracket WAB29S01182



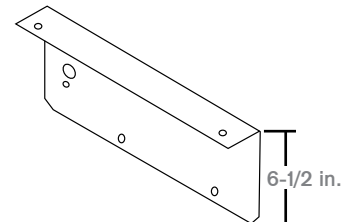
Material: Steel
Length: 15 in.

Fantail Assembly WAB53001247



Material: Steel

Bracket License Plate WAB24500007



Material: Composite
Length: 16 in.

BDY

Rear Wall

Transcraft

FRUEHAUF

WABASH

Dock Bumpers

Extruded

Part Number	Width	Height	Length	Number of Bolt Holes
IMXD-312	3 in.	3 in.	12 in.	2
IMXD-324	3 in.	3 in.	24 in.	4
BUYD324	3 in.	3 in.	24 in.	4
IMXD-412	4 in.	4 in.	12 in.	2
IMXD-424	4 in.	4 in.	24 in.	Undrilled
IMXD-472	4 in.	4 in.	72 in.	Undrilled



Undrilled



Drilled

Laminated

Part Number	Width	Height	Length	Mount
IMXGT-2109	2-3/4 in.	3 in.	6 in.	Stud
IMXGT-2107	3-1/4 in.	2-3/4 in.	6-1/8 in.	Stud
IMXGT-2101	4 in.	4 in.	6 in.	Bolt-On
FRUXUB7259	4 in.	-	15 in.	Bolt-On



Bolt-On



Stud

Quick Reference Conspicuity Tape

Part Number	Color	Length	Type
MMM983-72-2	Red	150 ft.	Roll
MMM983-10-2X18	White	18 in.	Strips
MMM983-10-2	White	150 ft.	Roll
MMM983-326-2	Red/White (6/6 in.)	150 ft.	Roll
MMM963-32-2	Red/White (7/11 in.)	150 ft.	Roll
MMM983-32-2X18	Red/White (11/7 in.)	18 in.	Strips
MMM983-32-2	Red/White (11/7 in.)	150 ft.	Roll
MMM983-32-2X18KC	Red/White (11/7 in.)	150 ft.	Kiss-Cut Roll
REF18352	Red/White (11/7 in.)	18 in.	Strips
REF18686	Red/Silver (11/7 in.)	150 ft.	Roll
REF18796	White	150 ft.	Roll
REF18806	Red/White (11/7 in.)	150 ft.	Roll
REF19160	Red/White (7/11 in.)	150 ft.	Roll
REF18347	White	12 in.	Strips
TRU37	Red/White	150 ft.	Roll



(MMM983-72-2)



(MMM983-10-2X18)



(MMM983-10-2)



(MMM983-326-2/
MMM963-32-2)



(MMM983-32-2X18)



(MMM983-32-2X18KC)



(REF18352)



(REF18686)



(REF18796)



(REF19160)



(TRU37)

Body Parts

Dock Bumpers

Fiber-Reinforced

Part Number	Width	Height	Length	Number of Bolt Holes	Bolt Center	Cross Reference
GDA42800101	2 in.	3 in.	10 in.		7 in.	
IMXGT-2042	2-3/8 in.	2 in.	7-3/8 in.	2	4-5/8 in.	
IMXGT-2312	2-3/8 in.	3-1/4 in.	6 in.	2	2-5/8 in.	
IMXGT-2041	2-1/2 in.	2 in.	16 in.	3	6-1/2 in.	
BUYB52641	2-1/2 in.	3-1/4 in.	6-3/4 in.		3-3/4 in.	Great Dane# 035-25182
IMXGT-2345	2-5/8 in.	3-1/4 in.	6 in.	2	3-1/2 in.	
IMXGT-UTM214	2-5/8 in.	3-1/2 in.	4-5/8 in.	2		Utility# 03-1250-214
IMXGT-2044	2-3/4 in.	3 in.	6 in.	2	2-5/8 in.	
DBR-GD02	2-3/4 in.	3-3/8 in.	5-5/8 in.	2	2-1/2 in.	Great Dane# 41700303
DBR-CC01	2-7/8 in.	3-1/4 in.	6 in.	2	2-1/2 in.	
IMXGT-2006	3 in.	3-1/2 in.	6 in.	2	3 in.	
IMXGT-2038	3 in.	4-1/4 in.	6 in.	2	1-3/4 in.	
BUF4502-1276	3 in.	6 in.	3 in.			
BUYB5500	3 in.	6 in.	3-1/2 in.			
FRUXCF9657-1	3-1/8 in.	3-1/4 in.	3-7/8 in.	2	2 in.	
WAB21400380	3-1/2 in.	3-1/2 in.	5-5/8 in.	2	3-1/2 in.	
DBR-UT01	3-5/8 in.	3-1/2 in.	6-1/8 in.	2	3-1/2 in.	Utility# JK3915
IMXGT-UTM006	3-5/8 in.	3-1/2 in.	6-1/8 in.	2	3-1/2 in.	
JKG3781	3-5/8 in.	3-1/2 in.	6-1/8 in.	2	3-1/2 in.	
IMXGT-UTM259	3-5/8 in.	4 in.	6-1/8 in.	2	3-1/2 in.	Utility# 03-1250-259
IMXGT-UTM172	3-5/8 in.	4-1/2 in.	6-1/8 in.	2	3-1/2 in.	Utility# 03-1250-0-172
JKG3630	3-5/8 in.	4-1/2 in.	6-1/8 in.	2		
IMXGT-2027	3-3/4 in.	4-1/2 in.	5-1/8 in.	2	3-1/2 in.	
IMXGT-2043	4 in.	3-1/4 in.	6 in.	2	2-1/2 in.	BBTP4800-0007
TSCPBA-687	4-3/8 in.	2-1/2 in.	12-1/4 in.	3		
IMXGT-2036	5-1/4 in.	3-5/8 in.	8 in.	4	5-1/2 in.	
IMXGT-2045	5-1/2 in.	3-5/8 in.	7-5/8 in.	4	3 in.	
IMXGT-2046	6 in.	8 in.	3 in.	4	3-1/8 in.	



(IMXGT-2042)



(IMXGT-2041)



(IMXGT-UTM172)



(IMXGT-2043)



(IMXGT-2036)



(IMXGT-2046)

BDY

Rear Wall

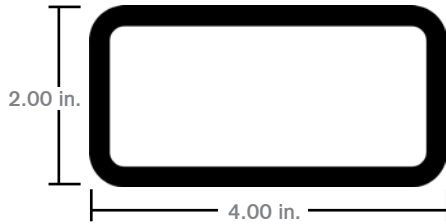
FRUEHAUF



Corner Posts

Wabash

WAB05S00655



Material: Steel
Length: 144 in.

Location

Roadside **WAB05006100-0402G**

Curbside **WAB05006101-0402G**



Material: Galvanized Steel
Length: 118-7/16 in.

Length

118-1/2 in. **WAB20400790**

119-7/16 in. **WAB05S14712-14**



Material: Steel

Accessories

**Grab Handle
BUYB239918C**



Material: Chrome
Length: 13 in.

**Grab Handle
POL817C**



Material: Chrome
Length: 13 in.

**Grab Handle
WAB06700075**



Material: Aluminum
Length: 20 in.

BDY

Rear Wall

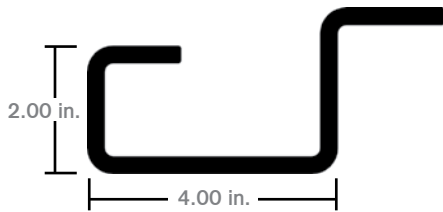


Body Parts

Rear Headers

Wabash

WAB05000026



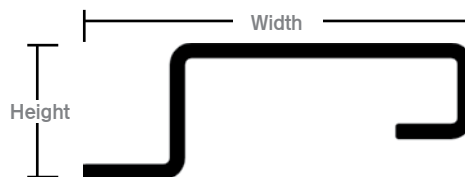
Material: Steel
Length: 102 in.
Includes: End Caps & Gussets

Material: Steel
Galvanized Steel
WAB05006867
WAB05006867GALV



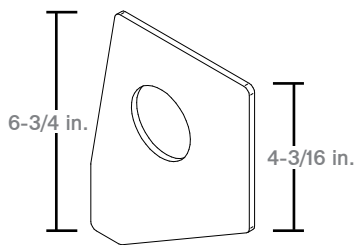
Length: 102 in.

	Width	Height	Length	Material	Includes
WAB05003502-0401	6-1/4 in.	2-5/8 in.	102 in.	Steel	With Keepers Only
WAB05003500-0401	6-3/8 in.	2-3/4 in.	102 in.	Steel	With Keepers Only
WAB05S13889-01	6-3/8 in.	2-3/4 in.	102 in.	Steel	-
WAB05000309	7-3/4 in.	2-5/8 in.	102 in.	Steel	End Caps & Gussets



End Cap

WAB05S14735-01



Material: Steel
Length: 6-3/4 in.

Accessories

Corner Irons

	Size
BUF1206-1170	6 in. x 8 in. x 1-1/2 in.
IMXGT-1202	12 in. x 12 in. x 1-1/2 in.



(BUF1206-1170)



(IMXGT-1202)

BDY

Rear Wall



Liftgate Components

Maxon

Discharge Hose
MAX096002-10



Maxon

1 in. Blue PVC
Length: 38-1/2 in.

Circuit Breaker
MAX221736



Maxon

BDY

Rear Wall

Solenoid
MAX262939



Maxon

Switch
MAX264346



Maxon

On/Off

Switch & Cable
MAX264951-01



Maxon

Molded 6 Posnthx
12 ft. Cable

Switch & Cable Assembly
MAX264951-04



Maxon

Lift Cylinder
MAX266037-01



Maxon

Starter Solenoid
MAX268030-01



Maxon

MAXON

Body Parts

Liftgate Components

Maxon

Switch & Cable Molded
MAX268142-01



Maxon

Tandem Assembly
MAX268866-01



Maxon

Control Box BMR
MAX280252



Maxon

Cable Assembly
MAX280693-01



Maxon

Flexible

Shackle Roller
MAX282718-01



Maxon

Size: 2-3/4 in.

Switch Solenoid Assembly
MAX284080-01



Maxon

12 VDC

National

Toggle Switch
NLGAPL2740



National

Sealed

3 Post Pos.
NLGAPL3020



National

Curved Base

BDY

Rear Wall

MAXON

Rear Wall

Liftgate Components

BDY

Rear Wall

National



Switch
NLGAPL3094

3 Post Curved Base

National



Disconnect



National
Switch Motor
NLGAPL9653

National



Boot Half Toggle
xRef: Maxon 905206

Switch Seal
NLGBPL2756

Palfinger



Hose Kit
PAL80-1113-301

2 x 80-1114-310 Hose with Hardware

Palfinger



12 V

Palfinger
Solenoid Motor
PALP-1404303

Palfinger



Toggle Switch
PALP-2004565

Palfinger



12 V
Interlift Liftgate

Motor
PALP-2020866

Body Parts

Ramp Components

Todco

Wheel & Spacer
TOD39171-0000



For Roller Ramp

Load Bar Doorguard
TOD39582



Includes Hardware Kit

Ramp Handle

Location
Roadside **TOD39504-1**
Curbside **TOD39504-2**



Quick Reference

Flip Placard

Part Number	Color	Blank	Corrosive 8	Dangerous	Explosive 1, 4	Flammable 3	Flammable Gas 2	Non-Flammable Gas 2	Oxidizer 5.1	Poison 6	Radioactive 7	Type
IMXGT-1150	Aluminum	X	X	X	X	X	X	X	X	X	X	Full
IMXGT-1150W	White	X	X	X	X	X	X	X	X	X	X	Full
IMXGT-1151	Aluminum		X	X	X	X	X	X	X	X	X	Full
IMXGT-1151W	White		X	X	X	X	X	X	X	X	X	Full
LAB21-10F0	Aluminum	X	X	X	X	X	X	X	X	X	X	Full
LAB81-8CC	Aluminum	X	X	X		X	X	X	X	X	X	2 Clipped Corners
LAB81-8F0	Aluminum	X	X	X		X	X	X	X	X	X	Full
LAB81-8SF0	Aluminum	X	X	X		X	X	X	X	X	X	Split
LAB81-8WCC	White	X	X	X		X	X	X	X	X	X	2 Clipped Corners
LAB81-8WFO	White	X	X	X		X	X	X	X	X	X	Full
LAB81-8WSFO	White	X	X	X		X	X	X	X	X	X	Split



(LAB81-8CC)



(LAB81-8F0)



(LAB81-8SF0)

BDY

Rear Wall

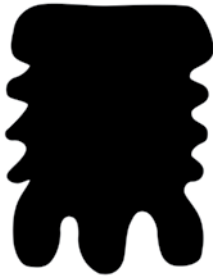
Todco

TODCO

Tailgate Components

**Transcraft
Seal**

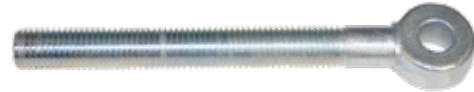
BBTRUBXZ0048-01400



Transcraft

**Universal
Forged Rod End**

BUYB27028LMZ



BDY

Rear Wall

Latch Assembly

BUYTGL3410



Material: Aluminum

**Universal
Latch Assembly**

BUYTGL3410ST



Material: Steel

Handle Assembly

BUYTGL34SB



Latch Assembly

BUYTGL34SBR



Circuit Breaker

WAL75089243



Fuse 150 AMP Flush Mount with Flat Washers

Switch Kit

WAL80001429



10 ft. Cord Back

Transcraft



Above. Beyond. Always.

A TRUSTED MANUFACTURER for AURORA

Going Above. Beyond. Always. for ALL of our Customers

100s OF CUSTOMERS

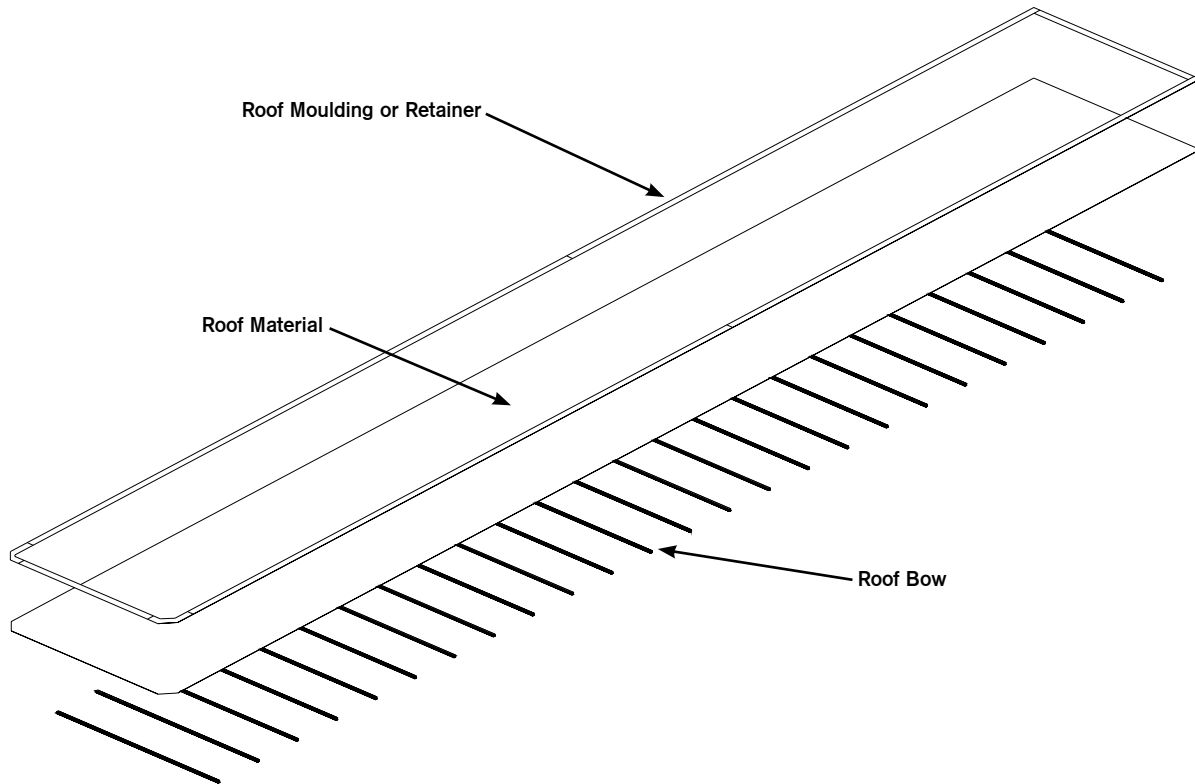
Over 850,000 sq. ft. of manufacturing space

serving a variety of industries



www.MORryde.com · 574.293.1581





BDY

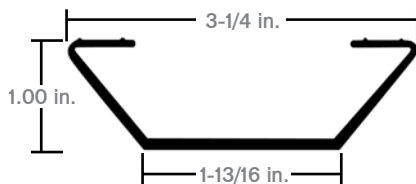
Roof

FRUEHAUF

Roof Bows

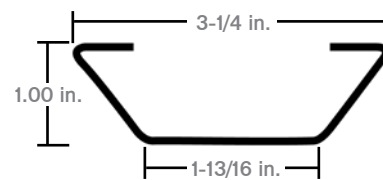
Fruehauf

FRUSTK21247-101



Style: Anti-Snag
Material: Aluminum
Length: 101-3/8 in.

FRURCF3718-1



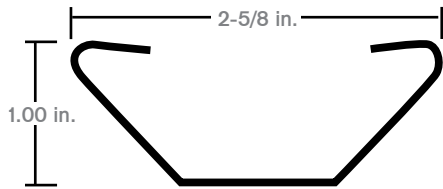
Style: Cambered Anti-Snag
Material: Aluminum
Length: 98-1/2 in.

Body Parts

Roof Bows

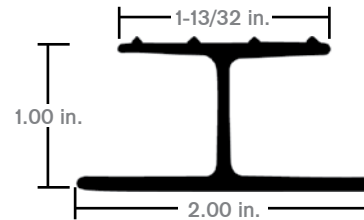
Fruehauf

FRURCF8426-2



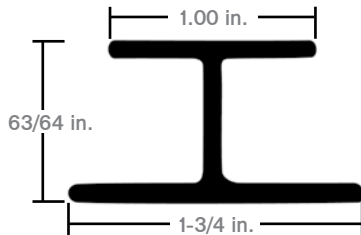
Style: Anti-Snag with Flattened Ends
Material: Steel
Length: 97-1/8 in.

FRURCF4048-1



Style: Cambered I-Beam
Material: Aluminum
Length: 98-1/2 in.

FRURCC8431-3



Style: Cambered I-Beam
Material: Aluminum
Length: 98-1/2 in.

Great Dane Style

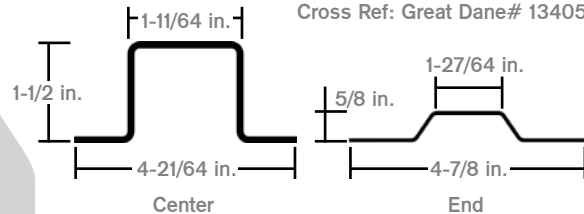
Cross Reference	Length	
Great Dane# 69102526	98-5/8 in.	BOW-GD01
Great Dane# RCB2629	99-1/8 in.	BOW-GD03



Style: Cambered Anti-Snag
Material: Galvanized Steel

BOW-GD02

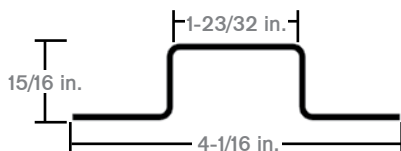
Cross Ref: Great Dane# 13405



Style: Hat
Material: Aluminum
Length: 98-39/64 in.

BOW-GD04

Cross Ref: Great Dane# 41203004



Style: Hat
Material: Galvanized Steel
Length: 98-5/32 in.

BDY

Roof

FRUEHAUF

proFIT

Roof Bows

Hyundai Style

BOW-HY01
Cross Ref: Hyundai# 20002799

Style: Cambered Anti-Snag
Material: Galvanized Steel
Length: 99 in.

BOW-HY03
Cross Ref: Hyundai# 10020662

Style: Anti-Snag
Material: Aluminum
Length: 99-21/64 in.

BOW-HY05
Cross Ref: Hyundai# 10002975

Style: I-Beam
Material: Aluminum
Length: 99-3/16 in.

BOW-HY01-UN
Cross Ref: Hyundai# 20002799

Style: Cambered Anti-Snag
Material: Unfinished
Length: 99 in.

Hyundai Style

BOW-HY02-UN
Cross Ref: Hyundai# JB3881P017/099250

Style: Cambered Anti-Snag
Material: Unfinished
Length: 99-1/4 in.

LUFKIN
LUF7088434

Style: Hat
Material: Galvanized Steel
Length: 98-7/8 in.

Manac Style

BOW-MA01
Cross Ref: Manac# R502-407C

Style: Cambered I-Beam
Material: Aluminum
Length: 98-1/4 in.

Stoughton Style

BOW-ST02
Cross Ref: Stoughton# 04-22599-001-00

Material: Galvanized Steel ZG Only
Length: 98-3/16 in. Hole Centers: 3 in.

BDY

Roof



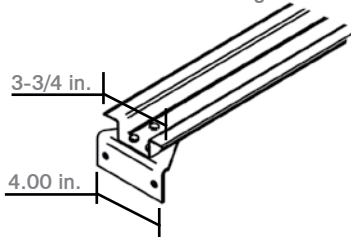
Body Parts

Roof Bows

Stoughton Style

BOW-ST03

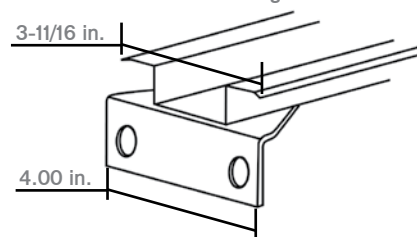
Cross Ref: Stoughton# 23-04006-000-00



Material: Galvanized Steel with Clips
 Length: 98-1/4 in. Hole Centers: 3 in.

BOW-ST04

Cross Ref: Stoughton# 04-20019-001-00



Material: Steel
 Length: 98-1/4 in.

Strick Style

BOW-SK01

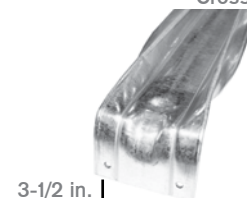
Cross Ref: Strick# SK01512



Material: Galvanized Steel
 Length: 100-3/8 in.

BOW-SK02

Cross Ref: Strick# SK01510



Style: High Arch
 Material: Galvanized Steel
 Length: 98-7/8 in.

BOW-SK04

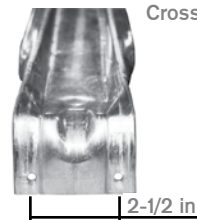
Cross Ref: Strick# AA39C00120100



Style: Standard Arch
 Material: Galvanized Steel
 Length: 98-3/4 in.

BOW-SK05

Cross Ref: Strick# SK01513

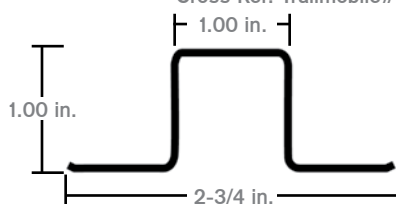


Style: High Arch
 Material: Galvanized Steel
 Length: 99-7/16 in.

Trailmobile Style

BOW-TM01

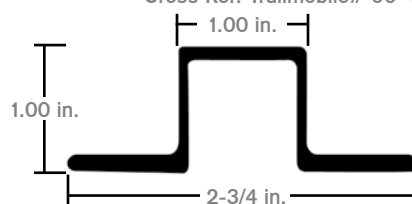
Cross Ref: Trailmobile# 9514-3-78B



Style: Hat
 Material: Galvanized Steel
 Length: 99-1/8 in.

BOW-TM02

Cross Ref: Trailmobile# 90-4-1801-0-100



Style: Hat
 Material: Aluminum
 Length: 100 in.

BDY

Roof



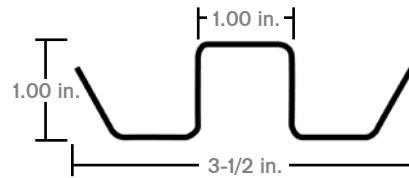
Roof

Roof Bows

Trailmobile Style

BOW-TM03

Cross Ref: Trailmobile# 514-3-152B



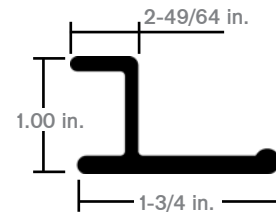
Style: Anti-Snag
Material: Galvanized Steel
Length: 99-1/8 in.

Utility Style

Reefer

SPO-UT01

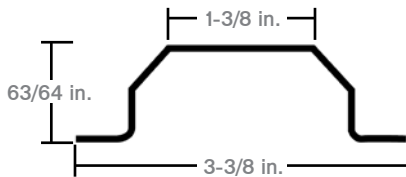
Cross Ref: Utility# 01-6500-0157



Material: Aluminum
Length: 110 in.

BOW-UT01

Cross Ref: Utility# 03-1600-053

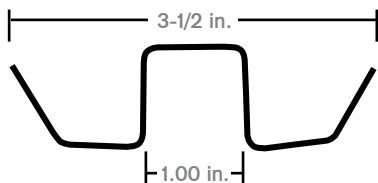


Style: Anti-Snag
Material: Steel
Length: 99-1/2 in.

Vanguard Style

BOW-VN01

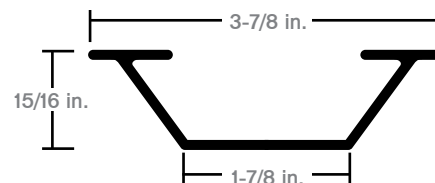
Cross Ref: Vanguard# RBW00004



Style: Cambered Anti-Snag
Material: Galvanized Steel
Length: 98-15/16 in.

BOW-VN03

Cross Ref: Vanguard# RBW00006



Style: Chambered Anti-Snag
Material: Aluminum
Length: 99 in.

Application Chart

Rivet Drill Hole Size

Rivet Diameter	Hole Size	Drill Bit
5/32 in.	0.156 - 0.171	DRLBG-156
3/16 in.	0.187 - 0.202	DRLBG-194
7/32 in.	0.218 - 0.233	DRLBG-219
1/4 in.	0.250 - 0.265	DRLBG-257

Rivet Diameter	Hole Size	Drill Bit
9/32 in.	0.281 - 0.296	DRLBG-281
5/16 in.	0.312 - 0.327	DRLBG-312
11/32 in.	0.343 - 0.358	DRLBG-344
3/8 in.	0.375 - 0.390	DRLBG-375



Body Parts

Roof Bows

Wabash

Length
99 in. **WAB07200028**
93 in. **WAB07200029**

Style: Cambered Anti-Snag
Material: Steel

WAB07200005

Style: Cambered Anti-Snag
Material: Aluminum
Length: 99 in.

WAB07200012

Style: Cambered Hat
Material: Steel
Length: 99 in.

WAB07200043

Style: Cambered I-Beam
Material: Aluminum
Length: 99 in. Type: Reefer

Roof Materials

Aluminum Roof Coil

Part Number	Thickness	Width	Length
ALU1-4	0.040 in.	103 in.	cut to order



Solarguard Refrigerated

Part Number	Thickness	Width	Length
KEMRIS75X101.3X54	0.075 in.	101-5/16 in.	54 ft.

Fiberglass-reinforced roof material designed to improve the thermal efficiency; uniquely formulated to prevent ultraviolet (UV) rays from being absorbed; absorbs less heat to help maintain cargo area temperature



Crane Composites

BDY

Roof



CRANE Composites

LIGHT WEIGHT



TRAVEL TOUGH

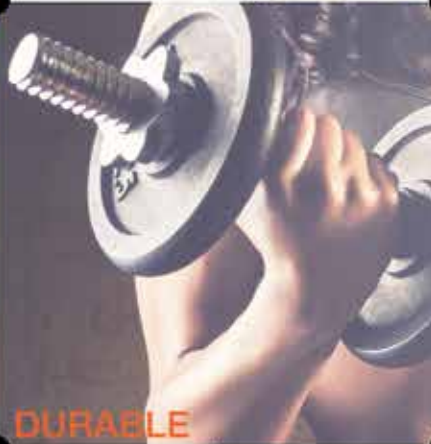
with fiberglass reinforced plastic (frp) panels

DESIGNED TO PROVIDE USDA/FDA/FSMA COMPLIANCE

EASY TO INSTALL

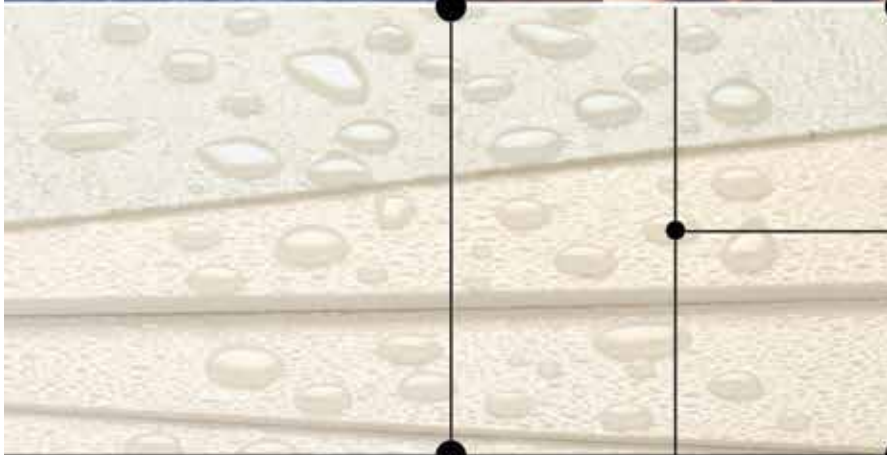


IMPACT RESISTANT



DURABLE

MOISTURE RESISTANT



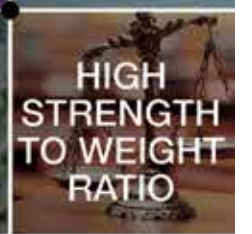
CLEANABLE



MOLD FREE



HIGH STRENGTH TO WEIGHT RATIO



CRANE Composites

YOUR SOURCE FOR:

KEMLITE LINERS | MONSTERSCUFF & GATORPLATE SCUFF PLATE | KEMLITE ETR® TRANSLUCENT ROOF | REPAIR KITS



Body Parts

Roof Materials

Kemlite

Part Number	Thickness	Width	Length	Quality	Description		
KEMTRF75X102.5X29	0.075 in.	102-1/2 in.	29 ft.	GOOD	TufRoof (TRF) - specifically designed & formulated for use as a translucent roof		
KEMTRF75X102.5X54			54 ft.				
KEMTRF75X102.5X500			500 ft.				
KEMTIW60X102.5X29			0.075 in.	102-1/2 in.	29 ft.	BETTER	Translucent Roof w/ Lumashield (TIW) - high performance, lightweight, smooth, impact resistant; Lumashield is a highly cleanable, protective surface finish
KEMTIW75X102.5X54					54 ft.		
KEMTIW75X102.5X500					500 ft.		
KEMETR75X102.5X29					29 ft.	BEST	Enhanced Tear Resistance (ETR) - engineered woven fabric on the back for enhanced tear resistance; coated in Lumashield
KEMETR75X102.5X54					54 ft.		
KEMETR75X102.5X250					250 ft.		



Crane Composites

Ceiling Panel Liner

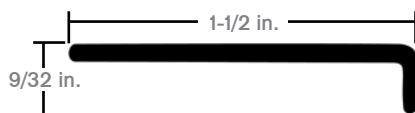
Part Number	Width	Length
KEML60X102X53	102 in.	53 ft.



Crane Composites

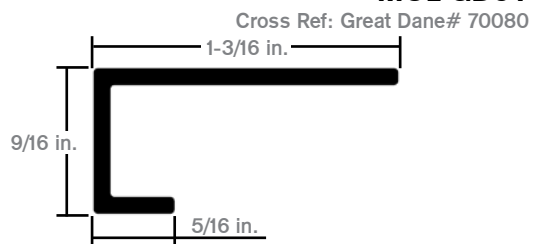
J-Moulding

FRUSTK21620-36



Material: Aluminum
Length: 432 in.

MOL-GD01



Material: Aluminum
Length: 120 in.

BDY

Roof

CRANE Composites

FRUEHAUF

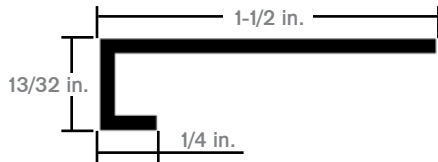
proFIT

Roof

J-Moulding

MOL-GD02

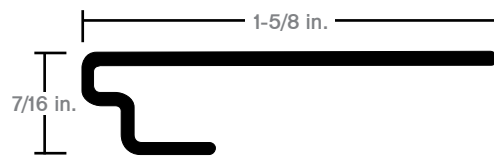
Cross Ref: Great Dane# GDP60420904X102



Material: Aluminum
Length: 120 in.

MOL-GD03

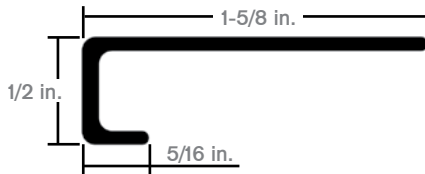
Cross Ref: Great Dane# 60426900X102



Material: Aluminum
Length: 102 in.

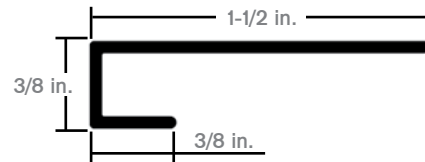
MOL-TM01

Cross Ref: Trailmobile# 90-4-1563-0-126



Material: Aluminum
Length: 126 in.

WABE0821200



Material: Aluminum
Length: 120 in.

Roof Mouldings & Retainers

**Flashing
ALU3-1-50**



Material: Aluminum Thickness: 0.040 in.
Length: 600 in. Width: 1-5/8 in.

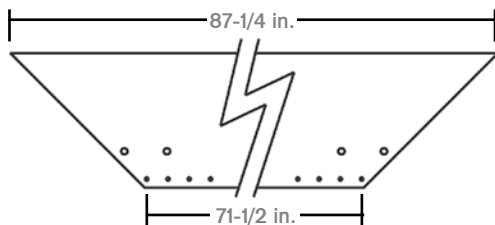
**Roof Closure Moulding
ROF-GD01**

Cross Ref: Great Dane# 41203192



Material: Aluminum
Radius: 6 in.

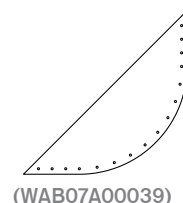
**Reefer Reinforcement
WAB07A00037**



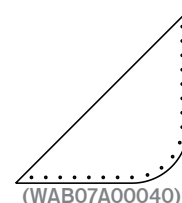
Material: Aluminum
Length: 87-1/4 in. Trailer: 102 in.

Corner Header Plates

- Radius 10 in. **WAB07A00039**
- Radius 5 in. **WAB07A00040**



(WAB07A00039)



(WAB07A00040)

Material: Aluminum

BDY

Roof



Roof Repair

BDY

Roof

Crane Composites

Translucent Repair Kit KEMTFIX



Includes: 1 qt. T-Mix, 36.00 in. X 48.00 in. embossed film, 36.00 in. X 48.00 in. smooth film, 2 tubes bondo 912 hardener, 2 spreaders, a pair of gloves, 2 mixing cups, 4 mixing sticks and a manual
Size: 24 in. x 48 in. glass mat

Crane Composites

Translucent Repair Kit KEMR50SNPTCHK



- SunPatch specifically designed for repairing damage to Kemlite roof panels
- Pre-impregnated fiberglass mat
- Repairs small tears & punctures
- Cures in 10 minutes after exposure to UV rays
- Size: 12 in. x 12 in.

Geobond Roof Repair

Part Number	Size	Color	Additional
GEO70100	1 qt.		
GEO70200	1 gal.	Clear	
GEO70202	1 gal.	Aluminum	
GEO70800	1 qt.	Clear	Kit Includes: 1 qt. roof repair, 2 in. brush, 50 ft. x 4 in. roll of polymesh

- Fibered brushable coating
- Stops leaks immediately
- Prevents rust
- UV light & acid rain resistant
- Application: Specially formulated for heavy duty truck trailer & truck body roof applications



(GEO70800)



(GEO70100)



(GEO70200 / GEO70202)

Geocel

More Information

Material Safety Data Sheet

Information:

MSDS documents give detailed information about the nature of a chemical, such as physical and chemical properties, health, safety, fire, and environmental hazards of a chemical product.

Current:

Visit www.MyAuroraPlus.com to download up-to-date MSDS Sheets. Found under the Inquiries tab.

CRANE Composites

Geocel

Roof Repair

**2010 Brushable Repair Coating
GEO60700**



Geocel

- Brushable repair coating; Stops leaks
- Coats & rustproofs metal surfaces
- 1 gal / 4 per case; Clear
- Application: Excellent adhesion to metal, concrete, & wood

**Manus-Prene 65-B Roof Repair
MAN65B-GALLON**



Manus

- Air-dry, brush grade neoprene based sealant
- Excellent adhesion; Weather resistant
- 1 gal / 4 per case; Gray
- Application: Use on aluminum, wood, fiberglass & plastics

**Manus-Prene 65-H
MAN65-H**



Manus

- Neoprene sealer; Trowel grade
- Excellent adhesion; Weather resistant
- 1 gal / 8 per case; Gray
- Application: Sealing properties to concrete, mortar, aluminum, wood & many plastics

**Roof Seal 76-AM
MAN76AMTG**



Manus

- Dries quickly to form a tough durable seal
- Excellent weather resistance & retains its flexibility for years; Self-leveling
- 1 gal / 4 per case; Gray
- Application: Use on trailer roofs

**Seal-Gap Roof Sealer
MASAH-55**



Seal Gap

- Especially developed to prevent claims from leaky roof seams in highway trailers
- 1 gal / 4 per case
- Application: Use on trailer roofs

**Luma-Shield HD
Aluminum Roof Coating
MAS5180-1GAL**



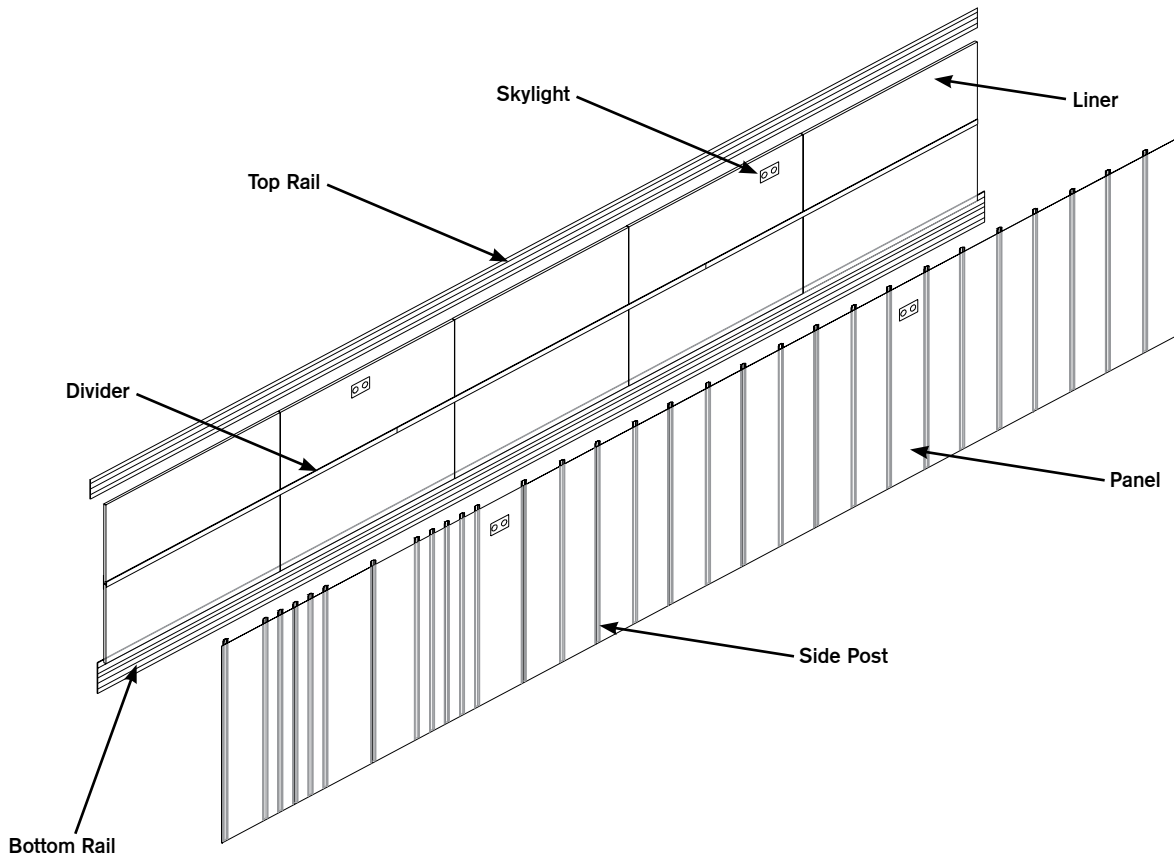
Truco

- Energy saver; Fibered
- Easy to apply; Guards against rust;
- Reduces interior temperature in the summer
- 1 gal / 8 per case
- Application: Use on trailer roofs

BDY

Roof

Geocel



BDY
Side Wall

Panels: Aluminum

Panel	Thickness	Width	Length	Color	Additional
PNL2-52	0.040 in.	49 in.	103 in.	White	
PNL2-11	0.040 in.	49 in.	110 in.	Warner New Blue	-
PNL2-19	0.048 in.	55 in.	120 in.	White/Wash	-
PNL2-4	0.050 in.	49 in.	108 in.	Orange	-
PNL2-2	0.050 in.	49 in.	110 in.	Black/Wash	PVC Coated
PNL2-5	0.050 in.	49 in.	110 in.	Gray/Wash	
PNL2-6	0.050 in.	49 in.	110 in.	White	-
PNL2-7	0.050 in.	49 in.	110 in.	White/Wash	PVC Coated
PNL2-14	0.050 in.	49 in.	120 in.	White	-
PNL2-15	0.050 in.	49 in.	120 in.	White	PVC Coated
PNL2-17	0.050 in.	49 in.	123 in.	Gray/White	-
PNL2-25	0.050 in.	49 in.	144 in.	White	-
PNL2-42	0.050 in.	49 in.	132 in.	White/Wash	-

Body Parts

Panels: Aluminum

Stoughton Style

	Thickness	Width	Length	Color	Additional
PNL-ST01	0.254	47-3/8 in.	109 in.	White	Flat

Cross Ref: Stoughton# 01-22053-XX6-00

Hyundai Style

	Thickness	Width	Length	Color	Material
PLT-HY01	0.260 in.	46-5/8 in.	107-3/4 in.	White	Galvanized Steel

Cross Ref: Hyundai# 10019499

Panels: Composite

Great Dane Style

	Thickness	Width	Length	Color	Material	Step
PNL-GD32	0.296 in.	47 in.	106-7/8 in.	White	Composite	-

Cross Ref: Great Dane# 43911688

PLT-GD01	0.345 in.	47 in.	106-15/16 in.	White	Composite	Yes
-----------------	-----------	--------	---------------	-------	-----------	-----

Cross Ref: Great Dane# 43911057

Hyundai Style

	Thickness	Width	Length	Color	Material	Step
PNL-HY04	6 mm.	46-1/4 in.	107-3/4 in.	White	Composite	No

Cross Ref: Hyundai# 10025434

PNL-HY01	6.5 mm.	22-5/8 in.	107-3/4 in.	White	Composite	Yes
-----------------	---------	------------	-------------	-------	-----------	-----

Cross Ref: Hyundai# 10019603

PNL-HYB1	0.256 in.	22-5/8 in.	113-3/4 in.	White	Composite	Yes
-----------------	-----------	------------	-------------	-------	-----------	-----

Cross Ref: Hyundai# 10048598

Manac Style

	Thickness	Width	Length	Color	Material	Step
PNL-MA01	0.050 in.	49 in.	110 in.	White	PVC	No

Cross Ref: Manac# 579-067

Stoughton Style

	Thickness	Width	Length	Color	Material	Location	Step
PNL-ST05	0.295 in.	47-3/8 in.	109 in.	White	Composite	Interm	Yes

Cross Ref: Stoughton# 01-25448-006-00

BDY

Side Wall



Panels: Composite

Vanguard Style

	Thickness	Width	Length	Color	Material	Step
VANSWP00316	8 mm.	46-7/8 in.	109 in.	White	Composite	Yes

Cross Ref: Vanguard# SWP00316

Wabash

	Thickness	Width	Length	Color	Material	Type	Step
DUR530R0897	6 mm.	24 in.	186-1/2 in.	White	Duraplate	Drop	No
DUR01P04162	6 mm.	49 in.	109 in.	White	Duraplate		Yes
DUR01110288	7.5 mm.	21 in.	49 in.	White	Duraplate		No
WAB01P02609-11	7.5 mm.	24 in.	95-3/8 in.	White	Duraplate		No
DUR7524.23525	7.5 mm.	24 in.	234-1/4 in.	White	Duraplate	Drop	No
WAB01107204	0.295 in.	49 in.	96 in.	Orange	Duraplate	HD Foam Core	Yes

Universal Logistic

	Thickness	Width	Length	Color	Material	Type	Step
PNL1-16	0.295 in.	49.00 in.	115.13 in.	White	Duraplate		Yes
PNL1-36	0.295 in.	49.00 in.	126.00 in.	White	Duraplate		Yes
PNL1-17A	0.302 in.	49.00 in.	112.75 in.	Blue	Duraplate	Punched	Yes
PNL99-49	0.500 in.	49.00 in.	112.75 in.	White	Duraplate	Offset	Yes
PNL1-46	7.5 mm	18.00 in.	48.00 in.	White	Duraplate		Yes
PNL1-33	7.5 mm.	22.188 in.	144.75 in.	White	Duraplate		No
PNL1-34	7.5 mm.	22.19 in.	48.00 in.	White	Duraplate		No

Universal Shiplap

	Thickness	Width	Length	Color	Material	Type	Step
PNL1-8	0.245 in.	48 in.	117-3/8 in.	White	Duraplate		No
PNL1-7	0.251 in.	48 in.	112-3/4 in.	White	Duraplate		No
PNL1-19	0.251 in.	48 in.	122-3/8 in.	White	Duraplate		No
PNL1-4	0.295 in.	48 in.	112-3/4 in.	Blue	Duraplate		No
PNL1-1	0.331 in.	23-1/8 in.	110-5/8 in.	White	Duraplate	Punched	No
PNL1-10	0.331 in.	48 in.	112-3/4 in.	White	Duraplate		No
PNL1-13	7.5 mm.	15-1/8 in.	110-5/8 in.	White	Duraplate		Yes

More Information

Fasteners

See Fasteners Tech section in Shop Supplies (pages 738-740) for fastener numbers and location on panels.

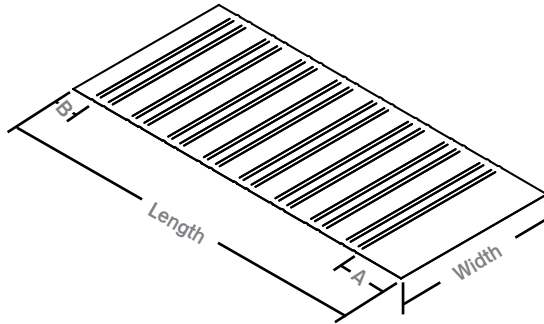
BDY

Side Wall



Body Parts

Panels: Corrugated Aluminum



BDY

Side Wall

Great Dane Style

	Corrugations	Pattern	Width	Length	A	Color
PNL-GD03	15	4 in. & 8 in.	49 in.	107 in.	6-1/2 in.	White
Cross Ref: Great Dane# 11304						
PNL-GD01	16	4 in. & 8 in.	49 in.	110-1/4 in.	6-1/2 in.	White
Cross Ref: Great Dane# 11305						
PNL-GD02	16	4 in. & 8 in.	49 in.	111-3/4 in.	6-1/2 in.	White
Cross Ref: Great Dane# 083-27687-01788						

Utility Style

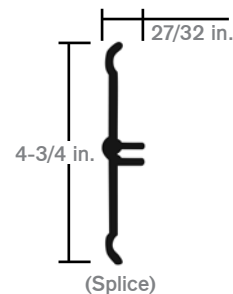
	Corrugations	Pattern	Width	Length	A	B	Color
PNL-UT02	15	4 in. & 8 in.	49 in.	105-1/2 in.	14 in.	7-1/2 in.	White
Cross Ref: Utility# 03-6001-0-183							
PNL-UT01	15	4 in. & 8 in.	49 in.	107-7/8 in.	16-1/2 in.	7-3/8 in.	White
Cross Ref: Utility# 03-6001-UNIV							

Wabash

	Corrugations	Pattern	Width	Length	A	B	Color
WAB01C00059	15	4 in. & 5 in.	49 in.	106-5/8 in.	15-1/8 in.	7-1/2 in.	White

Panels: FRP

	Type	Length	Material
BOD0175-120	Splice	10 ft.	Aluminum
BOD0175-576	Splice	48 ft.	Aluminum



Side Wall

Liners: Kemlite

	Material	Thickness	Width	Length
KEMAFL090X96X53	Tufband	0.060	53 in.	102 in.
KEMAFL90X102X53	Tufband	0.090	53 in.	102 in.

Liners: Plastic

Hyundai Style

	Thickness	Width	Length	Color	Material
LNR-HY01	0.197	10-1/2 in.	114-5/8 in.	White	PVC

Cross Ref: Hyundai# E15-008

Vanguard Style

	Thickness	Width	Length	Color	Material
LNR-VN01	0.080 in.	14-1/8 in.	109-1/2 in.	White	Plastic

Cross Ref: Vanguard# C8P01-1098

Versitex

	Thickness	Width	Length	Color	Material
USLVR2X102X53	0.060 in.	102 in.	636 in.	White	Plastic

Liners: Plywood

	Thickness	Width	Length	Additional
WDS4-1	0.250 in.	48 in.	96 in.	
WDS4-1P	0.250 in.	48 in.	96 in.	
WDS4-11	0.375 in.	48 in.	96 in.	CCX
WDS4-5	0.500 in.	48 in.	96 in.	
WDS4-50	0.500 in.	48 in.	96 in.	B/C Grade Exterior
WDS4-10	0.750 in.	48 in.	96 in.	

BDY

Side Wall

CRANE Composites



Body Parts

Liners: Snap-In

Great Dane Style

	Material	Thickness	Width	Length
LNR-GD01	Plastic	0.230 in.	10-19/64 in.	100 in.

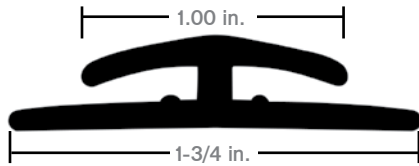
Cross Ref: Great Dane# 61309101

Wabash

	Material	Thickness	Width	Length
WABV0511118	PVC	0.220 in.	6-1/2 in.	96-11/16 in.
WABV0491118	PVC	0.220 in.	10-1/2 in.	111-1/2 in.

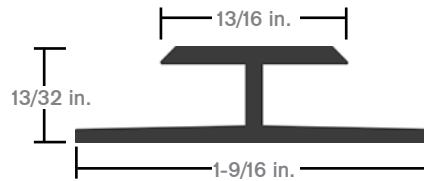
Liner Dividers

Kemlite Strip KEMDB385-10



Length: 10 ft.

Plywood Divider WABE4990960



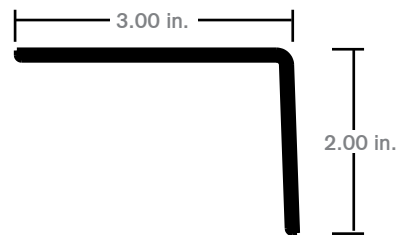
Material: Aluminum Thickness: 0.250 in.
Length: 96 in.

New Style Cove Angle WABV1036158



Length: 615-1/2 in.

Reefer Cove Moulding WAB24200074



Material: Rigid PVC
Length: 288 in.

Location Roadside **WAB24201040**



Color: White

BDY

Side Wall



CRANE Composites

Side Wall

Panel Repair

Self-Adhering Aluminum Patch

	Width	Length	Color	Count
FLT982-00500	6 in.	6 in.	White	24
RHDV1212N	12 in.	12 in.	Aluminum	10
RHDV1212W	12 in.	12 in.	White	10
FLT982-00510	12 in.	12 in.	White	10
FLT982-00502	12 in.	12 in.	White	24
RHDV1224N	12 in.	24 in.	Aluminum	5
RHDV1224W	12 in.	24 in.	White	5
FLT982-00503	12 in.	24 in.	White	24



(RHDV1212W)

Quick Patch System Repair Kit

	Width	Length
TFPQPS05	12 in.	5 ft.
TFPQPS10	12 in.	10 ft.
TFPQPS20	24 in.	20 ft.

Patch holes that have damaged Kemlite™ interiors of refrigerated trailers. The Quick Patch System will provide a consistent clean protective patch with moisture barrier for add protection. Includes: heavy-duty textured film, insulation disks, scissors and quick set edge sealer



BDY

Side Wall

FLEET ENGINEERS



Permanently Repair Refrigerated Trailer Liners & FRP Sidewalls

Quick Patch WHITE EPOXY

- ✓ Fast Curing
- ✓ Tough Epoxy Doesn't Crack; Stays in Holes & Gouges
- ✓ Matches Panel Texture; Paintable
- ✓ Eliminates Inspectional Concerns & Loading Rejections

Fix Your Trailer Sidewalls Today!



Learn More Today: www.keytransportationproducts.com

Body Parts

Panel Repair

Roll of Patch

	Width	Length
TFPQPS20R	12 in.	20 ft.
TFPQPS60R	12 in.	60 ft.
TFPQPS2460	24 in.	60 ft.

Quick Patch System roll of patch.



FRP Repair Kit

	Width	Length
KEMRK85	3 ft.	4 ft.

For use on Kemplite brand of liners, including the following product codes: LTR, AFL, and LHS.



Crane Composites

Poly Mesh Fabric

	Width	Length
GEO12004	4 in.	50 ft.
GEO12006	6 in.	50 ft.

Made of 2.4 oz. high-performance spun-laced polyester fabric for roofing and waterproofing applications. Ideal for use in seam reinforcement or patch repair with Geocel branded products.



Geocel

Thermoplastic Repair Kit

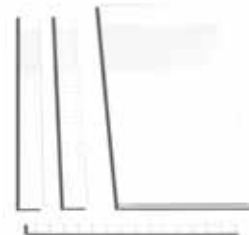
	Width	Length
USLBTXREPAIRKIT	3 ft.	4 ft.

For use on Bulitex brand of liners.



DuraPlate® Kits

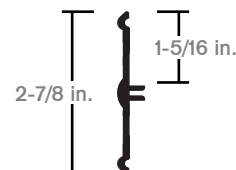
	Width	Panels	Type	Color
DURASPLICE1-4	15 in.	1	-	White
DURASPLICE1-5	15 in.	3	-	White
DURASPLICE1-6		3	-	Blue
DURASPLICE1-9	18 in.	1	-	Orange
DURASPLICE1-10	18 in.	1	Logistic	Orange
DURASPLICE1-12	18 in.	1	Logistic	White



Inner Splice

	Length
WABE7960480	48 in.
WABE7961560	156 in.
WABE7963120	312 in.

Material: Aluminum



BDY

Side Wall

Geocel

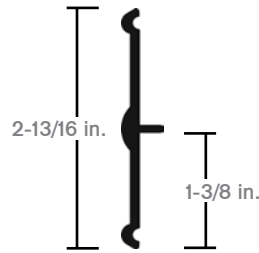


CRANE Composites

Panel Repair

Outer Splice

	Length
WABE7970480	48 in.
WABE7971560	156 in.
WABE7973120	312 in.



Material: Aluminum

DuraPlate® Repair

Color	
White	WAB01S00466
Orange	WAB01S00467



(WAB1S00467)

Material: Galvanized Steel
Length: 49 in.

Batton Strip

Holes	
Yes	WAB01107142
No	WAB01107186

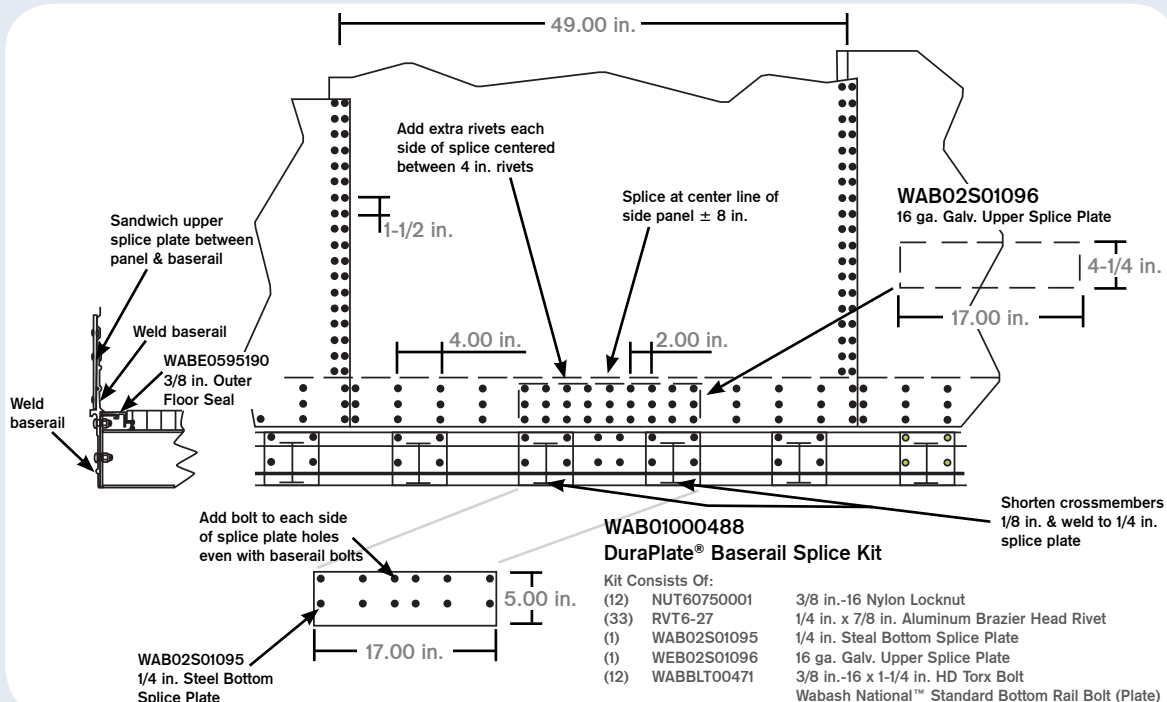


Material: Aluminum Color: White
Length: 22-1/8 in.

BDY
Side Wall

Tech Tip

Base Rail Repair Kit

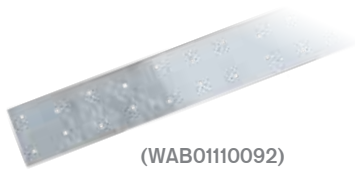


Body Parts

Panel Repair

Batton

Length	Type	Part Number
48 in.	Horizontal	WAB01110092
22-1/2 in.	Vertical	WAB01110093



(WAB01110092)

WAB01110177-01



Material: Aluminum Type: Outer Logistic
 Length: 30 in. Color: White

Rub Rails

TSCPKA-428-9



Length: 9 ft.

Great Dane Style RBR-GD07-3238

Cross Ref: Great Dane# 60430602X323.50



Length: 323-1/2 in.

Hyundai Style RBR-HY01-3150

Cross Ref: Hyundai# 10009072



Length: 315 in.

Manac Style RBR-MA01-6260

Cross Ref: Manac# 502037



Length: 626 in.

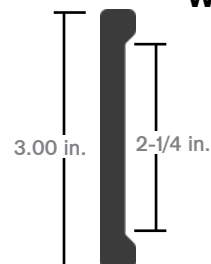
Manac Style RBR-MA02

Cross Ref: Manac# 5021056



For RBR-MA01-6260 Rail

Wabash WABE3361440



Material: Aluminum Type: Flatbed
 Length: 144 in.

BDY

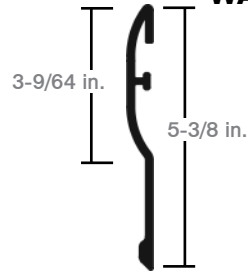
Side Wall



Side Wall

Rub Rails

Wabash
WABE9153140



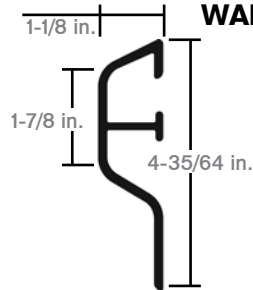
Material: Aluminum
Length: 314-1/16 in.
Type: Flanged

Wabash
WAB0430008



Fits E915

Wabash
WABE0766130



Material: Aluminum
Length: 51-5/64 in.

Wabash
WAB0430004



Material: Aluminum
Length: 4-3/4 in.
Fits E076

Scuff

Aluminum

SCF4-2



Material: Aluminum
Length: 624 in.

Wood

	Thickness	Height	Length
SCF75X12X8	0.750 in.	12 in.	8 ft.
SCF75X12X52	0.750 in.	12 in.	52 ft.

BDY

Side Wall



Body Parts

Scuff

Kemlite

	Thickness	Height	Length	Material
KEMAFS90X12X48		12 in.	48 ft.	Tufband (AFS) - Liner Embossed
KEMAFS90X12X53		12 in.	53 ft.	
KEMAFS90X16X48		16 in.	48 ft.	
KEMAFS90X16X53		16 in.	53 ft.	
KEMAFS90X24X48	0.090 in	24 in.	48 ft.	
KEMAFS90X24X53		24 in.	53 ft.	
KEMAFS90X48X8		48 in.	8 ft.	
KEMAFS90X48X10		48 in.	10 ft.	
KEMAFS90X48X48		48 in.	48 ft.	
KEMAFS90X48X53		48 in.	53 ft.	
KEMLTR120X12X53		12 in.	53 ft.	Tufband (LTR) - Lightweight Tapered Liner Embossed
KEMLTR120X16X53	0.120 in	16 in.	53 ft.	
KEMLTR120X24X53		24 in.	53 ft.	
KEMLTR120X48X9.2		48 in.	9-13/64 ft.	
KEMEGAT145X12X53	0.145 in.	12 in.	53 ft.	Gatorplate (EGAT) - High Strength Embossed



(KEMAFS90X48X10)

Crane Composites

Poly

	Thickness	Height	Length	Color	Additional
SCF2-5-8	0.620 in.	12 in.	8 ft.	Black	-
SCF2-22	0.620 in.	12 in.	27 ft.	Black	2 Pack
SCF2-3	0.620 in.	12 in.	52 ft.	White	2 Pack
SCF2-5	0.620 in.	12 in.	52 ft.	Black	2 Pack
SCF2-5SC	0.620 in.	12 in.	52 ft.	Black	Packaged in Single Coils
SCF2-2	0.620 in.	18 in.	52 ft.	White	2 Pack
SCF2-15	0.620 in.	18 in.	52 ft.	Black	Single
SCF2-10	0.620 in.	24 in.	52 ft.	White	Single
SCF2-4	0.620 in.	24 in.	52 ft.	Black	Single

(SCF2-5)



Steel

Corrugated

	Gauge	Height	Length	Wabash OE
SCF5-1	18 ga.	6-1/2 in.	51-3/4 ft.	AR716210
SCF5-2	18 ga.	8 in.	51-3/4 ft.	AR726210
SCF5-10	18 ga.	12 in.	52 ft.	AR666210
SCF5-17	18 ga.	14 in.	52 ft. 2 in.	AR896180
SCF5-24	18 ga.	18-3/4 in.	52 ft.	AR174300



(SCF5-1)

BDY

Side Wall

CRANE Composites

Side Posts

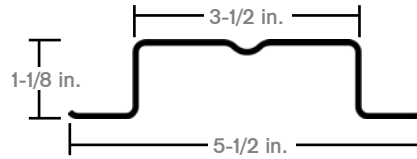
Fruehauf

FRUSTK20522-121



Material: Aluminum Type: Unpunched
Length: 121-3/16 in.

FRUSTKP30237-120

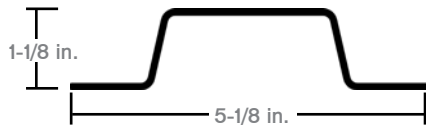


Material: Steel Type: Punched
Length: 120 in.

Great Dane Style

SPO-GD01

Cross Ref: Great Dane# 40900411



Material: Galvanized Steel Type: Punched
Length: 110-3/8 in.

SPO-GD02

Cross Ref: Great Dane# 69103003

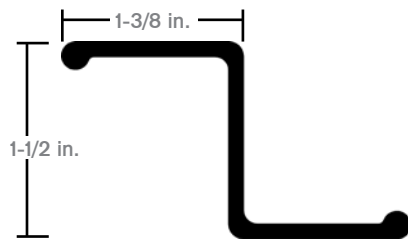


Material: Galvanized Steel Type: Unpunched
Length: 110 in. Style: A-Slot

Z Style

SPO-GD04

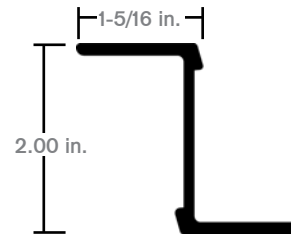
Cross Ref: Great Dane# 75724



Material: Aluminum
Length: 133-7/8 in.

SPO-GD05

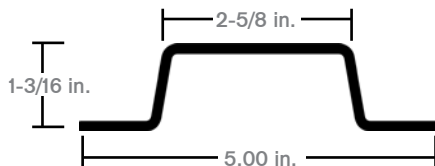
Cross Ref: Great Dane# 71232



Material: Aluminum
Length: 112 in.

SPO-GD06

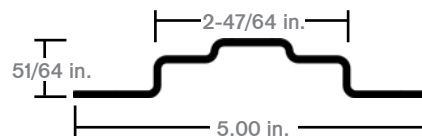
Cross Ref: Great Dane# GDA40913354/55/56



Material: Galvanized Steel
Length: 131 in. Style: A-Slot

SPO-GD07

Cross Ref: Great Dane# 40915028



Material: Galvanized Steel Type: Punched
Length: 107 in. Style: A-Slot

BDY

Side Wall



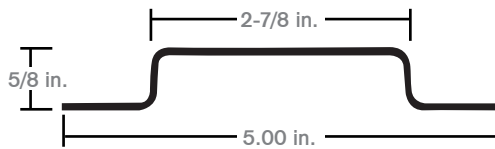
Body Parts

Side Posts

Great Dane Style

SPO-GD08

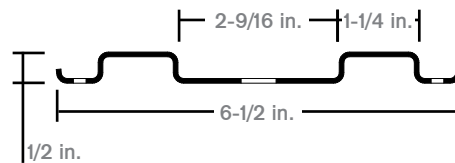
Cross Ref: Great Dane# GDA40904601



Material: Steel
Length: 110-3/8 in.

SPO-GD09

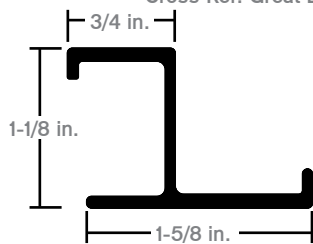
Cross Ref: Great Dane# 40912301



Material: Galvanized Steel Type: Unpunched
Length: 107 in. Style: A-Slot

SPO-GD10

Cross Ref: Great Dane# 60418309



Material: Aluminum
Length: 113-1/2 in.

SPO-GD20

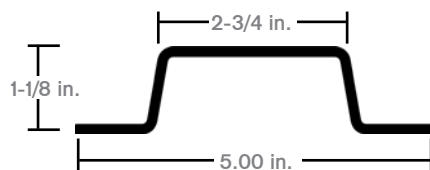
Cross Ref: Great Dane# 40915011X11000



Material: Galvanized Steel
Length: 110 in.

SPO-GD22

Cross Ref: Great Dane# 40914979



Material: Galvanized Steel
Length: 105-7/8 in.

SPO-GD24

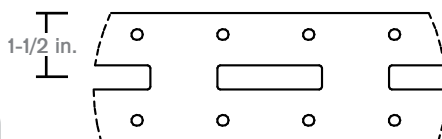
Cross Ref: Great Dane# 40915178



Material: Aluminum Type: Outer
Length: 107 in. Color: White

SPO-GD25

Cross Ref: Great Dane# 40915179



Material: Galvanized Steel
Length: 107 in. Style: A-Slot

SPO-GD28

Cross Ref: Great Dane# 40915266



Material: Aluminum Type: Punched, Outer
Length: 98 in. Color: White

BDY

Side Wall

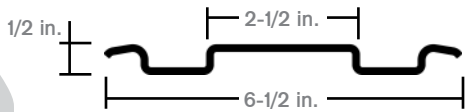


Side Posts

Hyundai Style

SPO-HY01

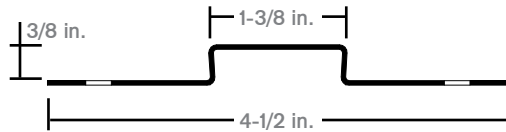
Cross Ref: Hyundai# 10011202



Material: Galvanized Steel
Length: 107-63/64 in. Style: A-Slot

SPO-HY02

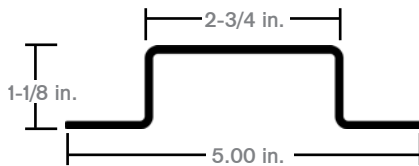
Cross Ref: Hyundai# 10035778



Material: Galvanized Steel Type: Outer
Length: 107-5/8 in.

SPO-HY05

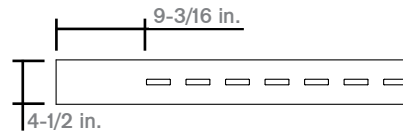
Cross Ref: Hyundai# 10009128



Material: Galvanized Steel Type: Logistic
Length: 131-9/64 in. Style: A-Slot

SPO-HY06

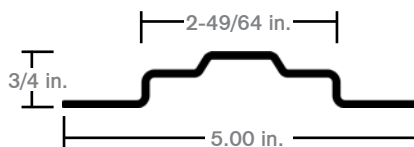
Cross Ref: Hyundai# 10039881



Material: Galvanized Steel Type: Logistic
Length: 107-1/2 in. Style: A-Slot

SPO-HY07

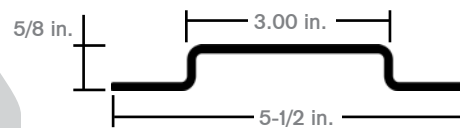
Cross Ref: Hyundai# 10013197



Material: Galvanized Steel Type: Logistic
Length: 113-17/64 in. Style: A-Track

SPO-HY11

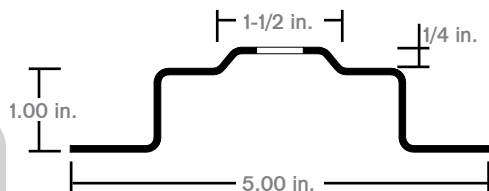
Cross Ref: Hyundai# 10006253



Material: Galvanized Steel
Length: 113-35/64 in.

SPO-HY13

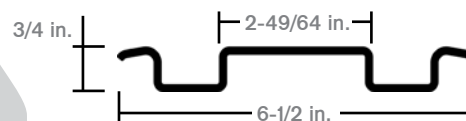
Cross Ref: Hyundai# 10017202



Material: Galvanized Steel Type: Logistic
Length: 113 in. Style: A-Slot

SPO-HY14

Cross Ref: Hyundai# 10011203



Material: Galvanized Steel Type: Logistic
Length: 107-63/64 in.

BDY

Side Wall



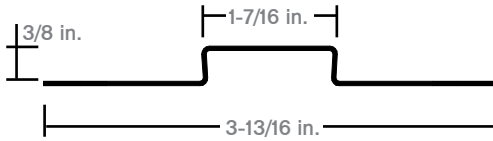
Body Parts

Side Posts

Hyundai Style

SPO-HY17

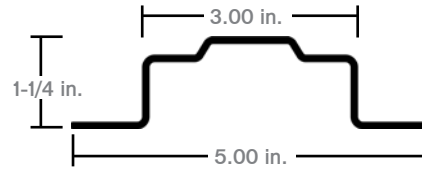
Cross Ref: Hyundai# 10035778



Material: Galvanized Steel Type: Outer
Length: 107-5/8 in. Color: White

SPO-HY25

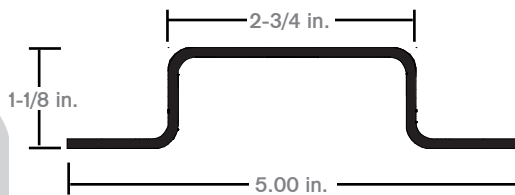
Cross Ref: Hyundai# 10002741



Material: Galvanized Steel Type: Logistic
Length: 107-31/64 in. Style: A-Slot

SPO-HY96

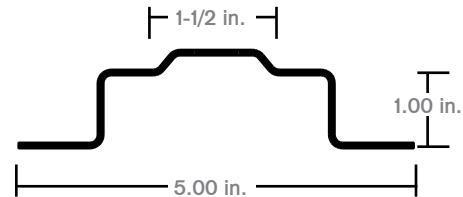
Cross Ref: Hyundai# 20025897



Material: Galvanized Steel Type: Logistic
Length: 118 in. Style: A-Slot

SPO-HYA2

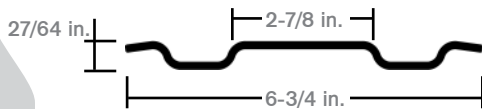
Cross Ref: Hyundai# 10038647



Material: Galvanized Steel
Length: 106-7/8 in.

Lufkin

LUFB0072233



Material: Galvanized Steel
Length: 107-7/16 in. Style: A-Slot

More Information

www.MyAuroraPlus.com

Need more information on a particular trailer? Log into www.MyAuroraPlus.com for Aurora's Graphical Bill of Material (GBOM). Easily point and click through visual elements of a trailer to drill down to an individual trailer component.

BDY

Side Wall



Side Posts

Stoughton Style

SPL-ST01

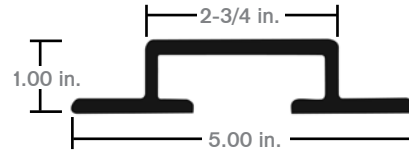
Cross Ref: Stoughton# 01-21117-006-00



Material: Galvanized Steel
Length: 109 in. Color: White

SPO-ST04

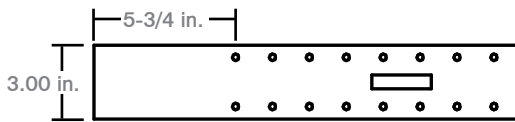
Cross Ref: Stoughton# 02-13352-110-00



Material: Aluminum
Length: 110 in.

SPO-ST05

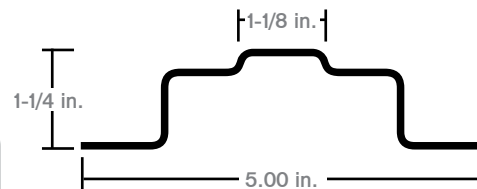
Cross Ref: Stoughton# 1-21122-006-00



Material: Steel
Length: 109 in. Style: A-Slot

SPO-ST08

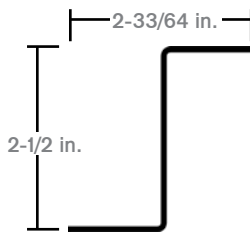
Cross Ref: Stoughton# 04205777-006-00



Material: Galvanized Steel
Length: 108 in. Style: A-Slot

SPO-ST13

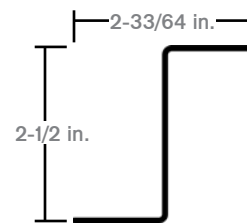
Cross Ref: Stoughton# 01-20835-206-00



Material: Galvanized Steel Type: Unpunched
Length: 107-3/8 in.

SPO-ST18

Cross Ref: Stoughton# 01-20835-106-00



Material: Galvanized Steel Type: Unpunched
Length: 107-3/8 in.

Stoughton Style

SPO-ST23

Cross Ref: Stoughton# 04-20671-006-00

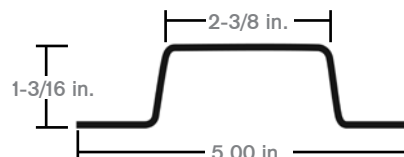


Material: Galvanized Steel
Length: 108 in.

Trailmobile Style

SPO-TM01

Cross Ref: Trailmobile# 90-4-1988P-0-112



Material: Galvanized Steel Type: Punched
Length: 112 in.

BDY

Side Wall



Body Parts

Side Posts

Trailmobile Style

SPO-TM02

Cross Ref: Trailmobile# 51356001250A12

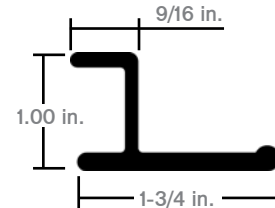


Material: Galvanized Steel Type: Unpunched
 Length: 115-1/4 in. Style: A-Slot

Utility Style

SPO-UT01

Cross Ref: Utility# 01-6500-0157

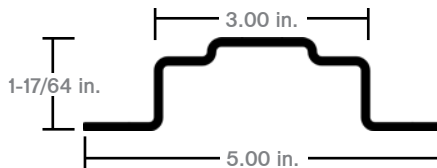


Material: Aluminum
 Length: 110 in.

Utility Style

SPO-UT02

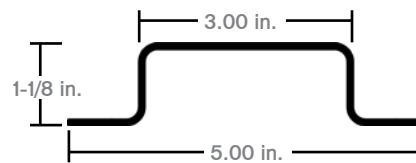
Cross Ref: Utility# 03-6512-0-033



Material: Galvanized Steel Type: Punched
 Length: 112-3/8 in. Style: A-Slot

SPO-UT03

Cross Ref: Utility# UT-118

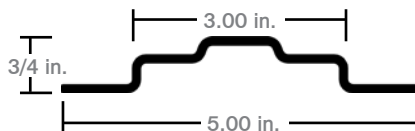


Material: Galvanized Steel
 Length: 110 in.

Vanguard Style

SPO-VN01

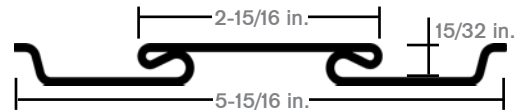
Cross Ref: Vanguard# PST00029



Material: Galvanized Steel
 Length: 109-1/2 in. Style: A-Slot

SPO-VN03

Cross Ref: Vanguard# PST00031



Material: Galvanized Steel
 Length: 109-1/2 in. Style: A-Slot

Pro-FIT

OEM Precision Products



Pro-Fit all-makes product line consists of parts that are precision engineered as a direct fit for the original OEM component. Through Pro-Fit, Aurora offers direct-fit replacement parts for all brands of trailers.

BDY

Side Wall



Side Posts

Vanguard Style

SPO-VN05
Cross Ref: Vanguard# PST00047

Material: Galvanized Steel
Length: 98-1/8 in. Style: A-Slot

SPO-VN07
Cross Ref: Vanguard# PST00190

Material: Aluminum Type: Outer
Length: 104-1/4 in. Color: White

Wabash

WAB01200038

Material: Galvanized Steel Type: Punched
Length: 110 in.

WAB01200069-120

Material: Galvanized Steel Type: Punched
Length: 120 in.

WAB01200262

Material: Galvanized Steel Type: Punched
Length: 125 in.

WAB01200464

Material: Galvanized Steel Style: A-Slot
Length: 111-7/8 in.

Flat DuraPlate®
WAB01A01850

Material: Aluminum Type: Outer Logistic
Length: 108-1/4 in. Color: White

Cover
WAB01A04730-08

Material: Aluminum Type: Outer Logistic
Length: 116 in. Color: Werner Blue

BDY

Side Wall



Body Parts

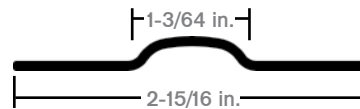
Side Posts

Wabash

DuraPlate®

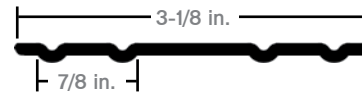
	Length	Material	Color	Additional
WAB01A01832	96 in.	Aluminum	White	-
WAB01A01798	96 in.	Aluminum	Orange	-
WAB01A01752	116 in.	Aluminum	White	-
WAB01A01753	116 in.	Aluminum	Gray	-
WAB01A01752P	116 in.	Aluminum	White	Punched

Type: Outer Logistic

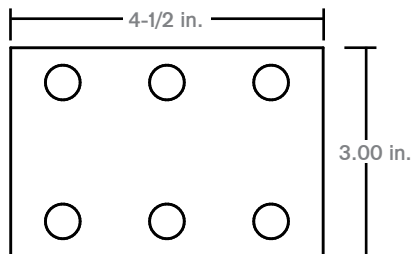


	Length	Material	Additional
WAB01S00679	96 in.	Galvanized Steel	-
WAB01S00428	109-3/4 in.	Galvanized Steel	-
WAB53002552	110 in.	Galvanized Steel	Universal

Type: Inner Logistic



WAB01A02199



Material: Aluminum Type: Logistic
Length: 4-1/2 in.

WAB01S00782



Material: Galvanized Steel Type: Logistic
Length: 109 in.

WAB01S00783



Material: Galvanized Steel Type: Logistic
Length: 109 in.

WAB01S01007-05



Material: Galvanized Steel Type: Logistic
Length: 100 in.

BDY

Side Wall



Side Posts

Wabash

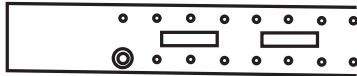
Cap Post

WAB53002655



Material: Aluminum Type: Outer Logistic
Length: 20-3/4 in.

WAB01S01029-03



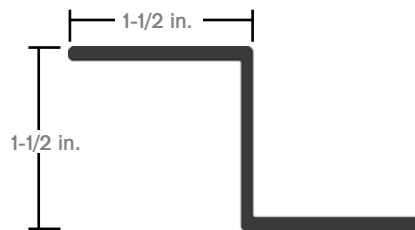
Material: Galvanized Steel Type: Logistic
Length: 95-1/4 in.

WAB53002654



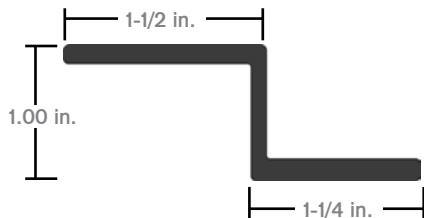
Material: Galvanized Steel
Length: 20-3/4 in.

WABE0841200



Material: Aluminum Type: Zee Reeper
Length: 120 in.

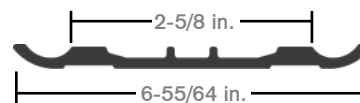
WABE515112A



Material: Aluminum Type: Zee Reeper
Length: 112-5/8 in.

Plate Trailer

WABE8411260



Material: Aluminum Type: Outer Punched
Length: 126 in.

WABSP18107E



Material: Galvanized Steel Type: Logistic
Length: 107 in. Unpunched

BDY

Side Wall

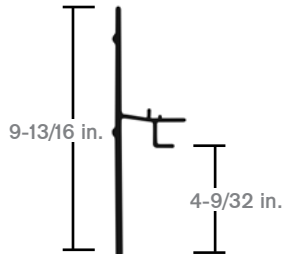


Body Parts

Side Rails: Bottom

Fruehauf

FRUSTK21038-52

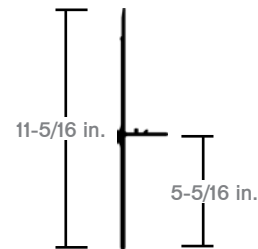


Material: Aluminum
Length: 624-61/64 in.

Great Dane Style

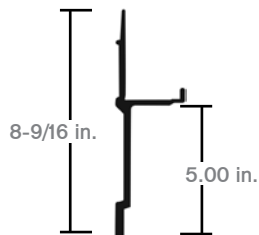
High Base Rail New Style

	Length	Cross Ref
BOT-GD01-1320	132 in.	Great Dane#
BOT-GD01-3600	360 in.	AE2P000
BOT-GD01-6260	626 in.	Great Dane# AE2P000-5210



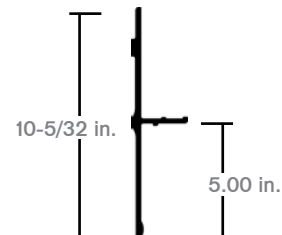
Material: Aluminum

Cross Ref	Length	
Great Dane#	132 in.	BOT-GD02-1320
004-09864-53	636 in.	BOT-GD02-6360



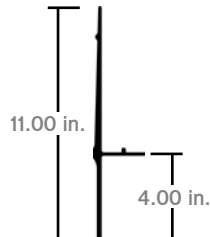
Material: Aluminum

Cross Ref	Length	
Great Dane#	132 in.	BOT-GD03-1320
60315409	626 in.	BOT-GD03-6260



Material: Aluminum

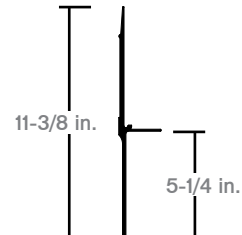
Cross Ref	Length	
Great Dane#	360 in.	BOT-GD04-3600
60304106	626 in.	BOT-GD04-6260



Material: Aluminum

BOT-GD05-623A

Cross Ref: Great Dane# 60317303



Material: Aluminum
Length: 623-5/8 in.

BDY

Side Wall

FRUEHAUF

proFIT

Side Rails: Bottom

Great Dane Style

Cross Ref	Length	
Great Dane# 60318401	360 in.	BOT-GD07-3600
Great Dane# 603184VV-53	636 in.	BOT-GD07-6360

Material: Aluminum

BOT-GD11-6242

Cross Ref: Great Dane# 60318832

Material: Aluminum
Length: 624-1/8 in.

Great Dane Style

Cross Ref	Length	
Great Dane# 60318834-53	132 in.	BOT-GD03-1320
	636 in.	BOT-GD03-6360

Material: Aluminum

Hyundai Style

Cross Reference	Length	
Hyundai# E06-023-3600	360 in.	BOT-HY01-3600
Hyundai# E06-023-6260	626 in.	BOT-HY01-6260

Material: Aluminum

Hyundai Style

Cross Reference	Length	
Hyundai# E06-003-3600	360 in.	BOT-HY02-3600
Hyundai# E06-003-6260	626 in.	BOT-HY02-6260

Material: Aluminum

Cross Ref	Length	
Hyundai# E06-035-6260	132 in.	BOT-HY03-1320
	626 in.	BOT-HY03-6260

Material: Aluminum

BOT-HY04-6260

Cross Ref: Hyundai# E06-156-62601

Material: Aluminum
Length: 626 in.

BOT-HY06-6260

Cross Ref: Hyundai# E06-050-6260

Material: Aluminum
Length: 626 in.

BDY

Side Wall

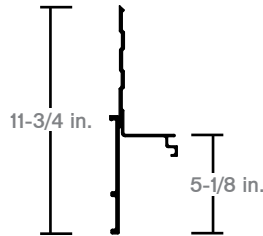


Body Parts

Side Rails: Bottom

Hyundai Style

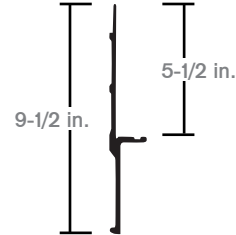
Cross Ref	Length	
Hyundai#	360 in.	BOT-HY08-3600
E06-057-6240	624 in.	BOT-HY08-6240



Material: Aluminum

BOT-HY11-3240

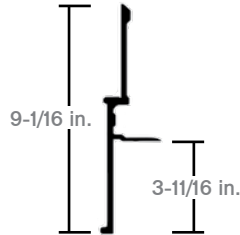
Cross Ref: Hyundai# E06-054



Material: Aluminum
Length: 324 in.

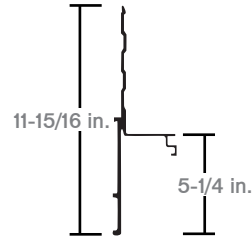
BOT-HY36-1740

Cross Ref: Hyundai# 10031413



Material: Aluminum
Length: 174 in.

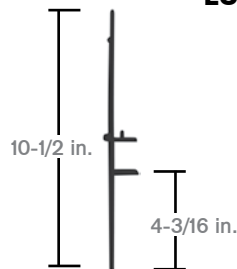
Cross Ref	Length	
Hyundai#	132 in.	BOT-HY54-1320
E06-064-6260	626 in.	BOT-HY54-6260



Stoughton Style

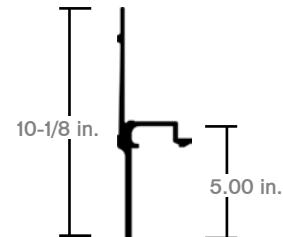
Lufkin

LUFE7085948



Material: Aluminum
Length: 624-61/64 in.

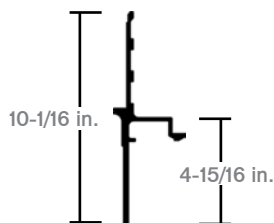
Cross Ref	Length	
Stoughton#	132 in.	BOT-ST01-1320
02-22823-621-75	626 in.	BOT-ST01-6260



Material: Aluminum

Stoughton Style

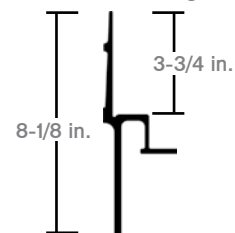
Cross Ref	Length	
Stoughton#	132 in.	BOT-ST05-1320
02-22839-626-0	626 in.	BOT-ST05-6260



Material: Aluminum

BOT-ST07-1748

Cross Ref: Stoughton# 02-20021-174-25



Material: Aluminum
Length: 174-1/2 in.

BDY

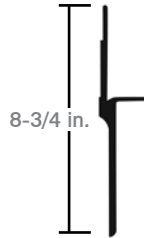
Side Wall



Side Rails: Bottom

Strick Style

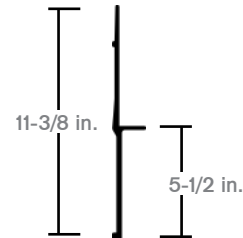
Cross Reference	Length	
Strick#	132 in.	BOT-SK01-1320
SK01857	626 in.	BOT-SK01-6260



Material: Aluminum

Trailmobile Style

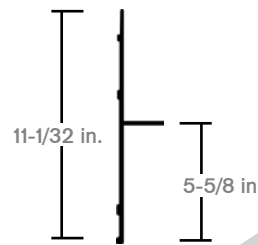
Cross Reference	Length	
Trailmobile#	132 in.	BOT-TM01-1320
90-4-2352-625	626 in.	BOT-TM01-6260



Material: Aluminum

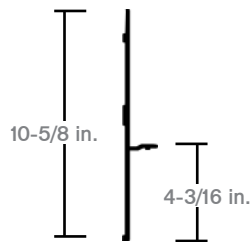
Utility Style

	Length	Cross Ref
BOT-UT01-1320	132 in.	Utility# 01-6650-062
BOT-UT01-3600	360 in.	Utility#
BOT-UT01-6260	626 in.	01-6650-091



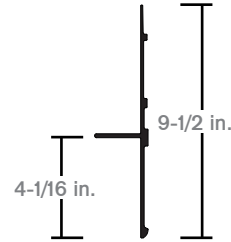
Material: Aluminum

Cross Reference	Length	
Utility#	360 in.	BOT-UT02-3600
01-6650-190	626 in.	BOT-UT02-6260



Material: Aluminum

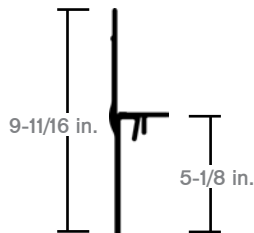
Cross Reference	Length	
Utility#	132 in.	BOT-UT04-1320
01-6650-0-167	626 in.	BOT-UT04-6260



Material: Aluminum

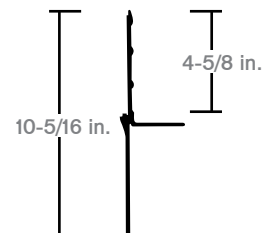
Vanguard Style

Cross Ref	Length	
Vanguard#	360 in.	BOT-VN01-3600
EXT00041	624 in.	BOT-VN01-6240



Material: Aluminum

Cross Ref	Length	
Vanguard#	132 in.	BOT-VN07-1320
EXT00072-624	624 in.	BOT-VN07-6240



Material: Aluminum

BDY

Side Wall

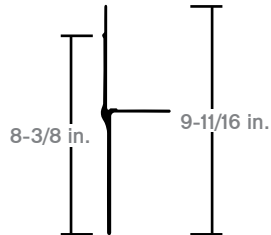


Body Parts

Side Rails: Bottom

Vanguard Style

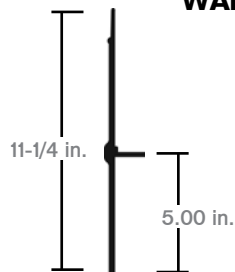
Cross Ref	Length	
Vanguard#	132 in.	BOT-VN08-1320
EXT00073-6240	624 in.	BOT-VN08-6240



Wabash

Reefer

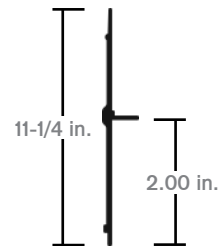
WABE0366260



Material: Aluminum
Length: 626 in.

Reefer

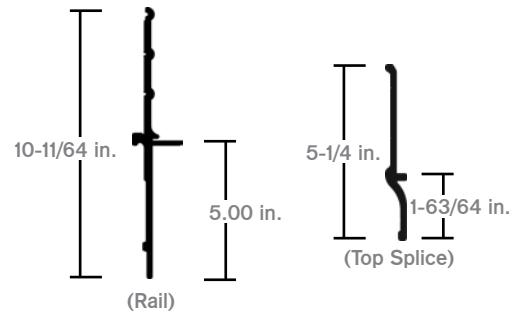
WABE7026260



Material: Aluminum
Length: 626 in.

DuraPlate®

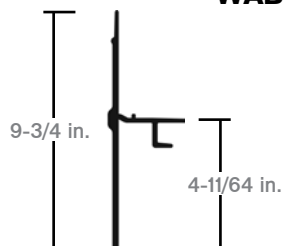
	Length	Type
WABE7323600	360 in.	Rail
WABE7326260	626 in.	Rail
WABE9966260	626 in.	Top Splice



Material: Aluminum

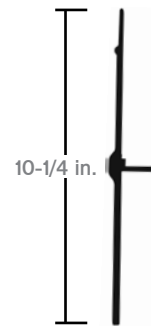
FreightPro

Length	
360 in.	WABE8113600
626 in.	WABE8116260



Material: Aluminum

WABE8376260



Length: 626 in.

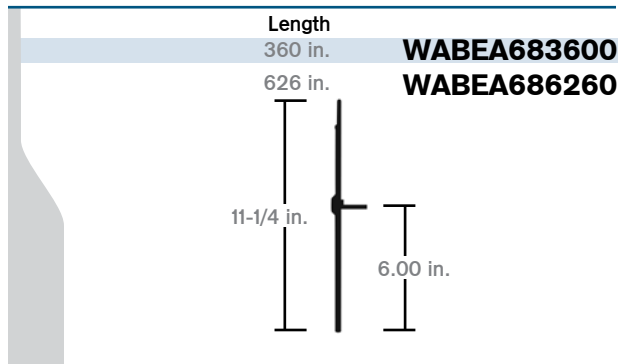
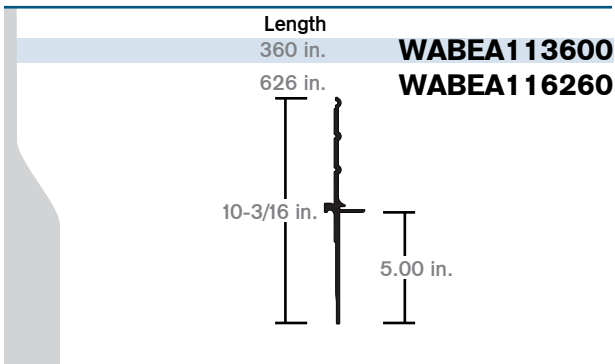
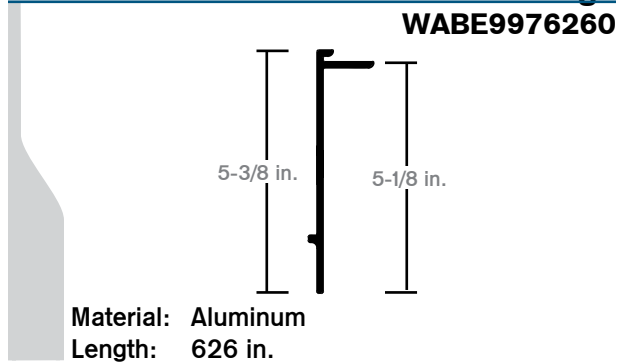
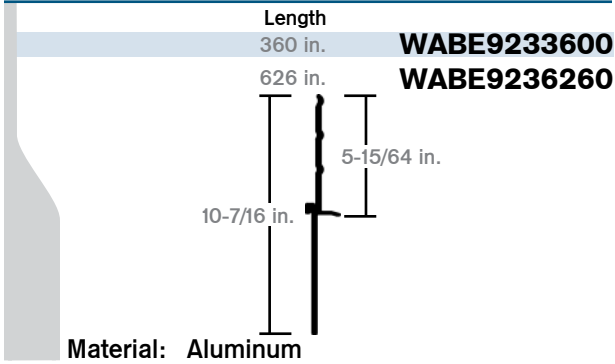
BDY

Side Wall

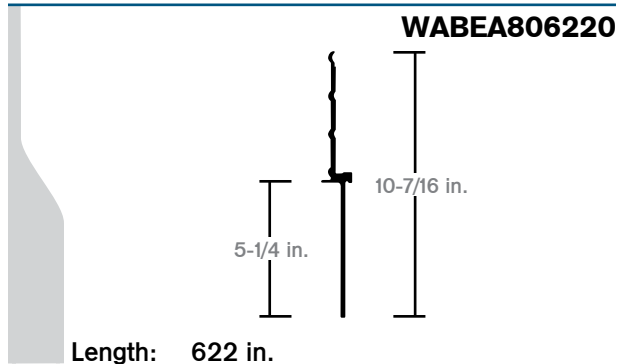
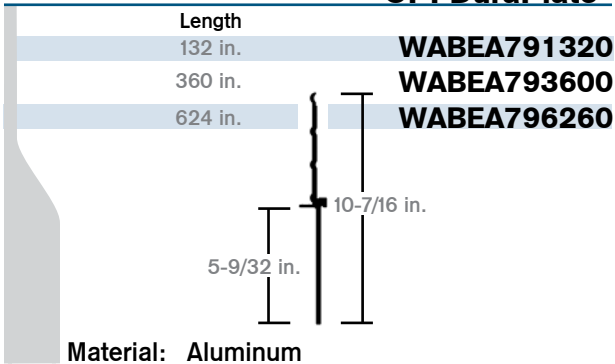


Side Rails: Bottom

Wabash High



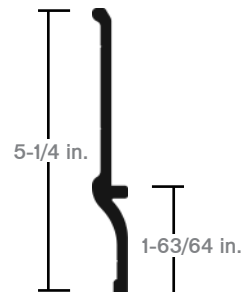
OPI DuraPlate®



High Base Rail

	Length	Style Base Rail
WABEB476220	622 in.	New Style
WABEB481320	132 in.	Old Style
WABEB483600	360 in.	Old Style
WABEB486260	626 in.	Old Style
WABEA846202	-	Splice

Material: Aluminum



BDY

Side Wall

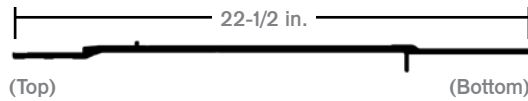


Body Parts

Side Rails: Bottom

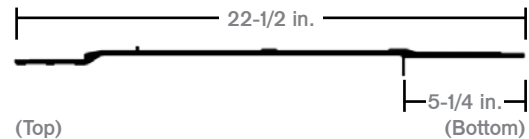
Wabash

Length	Part Number
132 in.	WABEB771320
622 in.	WABEB776220



Material: Duraplate

WABEC126220



Length: 622 in.

Splices: Bottom

Fruehauf

FRUSTK20533-120



Material: Aluminum
Length: 120 in.

More Information

Side Rail Wear

Some of the causes of side rail failure are load stress, shock, poor application fit, or a manufacturing error.

Fatigue fractures usually originate at stress concentration points. A crack in the metal will start at a right angle of the stress point and continue until fixed or total failure happens.

Corrosion can also be a major concern when welding on a heat treated frame or if excessive burr remains on the drilled holes. In a harshly corrosive environment, this needs to be handled before any major problems occur.

BDY

Side Wall



Side Rails: Top

Great Dane Style

TOP-GD02-3240
Cross Ref: Great Dane# 60304203

Material: Aluminum
Length: 324 in.

TOP-GD04-6260
Cross Ref: Great Dane# 60311701

Material: Aluminum
Length: 626 in.

Cross Ref	Length	
Great Dane#	360 in.	TOP-GD07-3600
60318848	626 in.	TOP-GD07-6260

Material: Aluminum

TOP-GD22-6360
Cross Ref: Great Dane# 60318839-53

Material: Aluminum
Length: 636 in.

Hyundai Style

Cross Reference	Length	
Hyundai# E01-050-3600	360 in.	TOP-HY01-3600
Hyundai# E01-050-6260	626 in.	TOP-HY01-6260

Cross Ref	Length	
Hyundai#	132 in.	TOP-HY02-1320
E01-037-6260	626 in.	TOP-HY02-6260

Material: Aluminum

Cross Reference	Length	
Hyundai# E01-150-3600	360 in.	TOP-HY03-3600
Hyundai# E01-150-6260	626 in.	TOP-HY03-6260

Material: Aluminum

Cross Ref	Length	
Hyundai#	132 in.	TOP-HY04-1320
E01-015-6260	626 in.	TOP-HY04-6260

Material: Aluminum

BDY

Side Wall

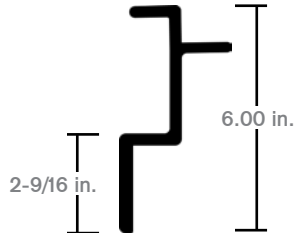


Body Parts

Side Rails: Top

Hyundai Style

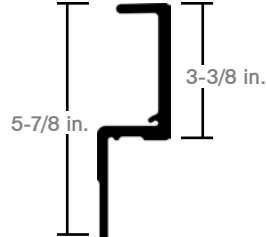
Cross Ref	Length
Hyundai# 360 in. TOP-HY05-3600	
E01-007-6260 626 in. TOP-HY05-6260	



Material: Aluminum

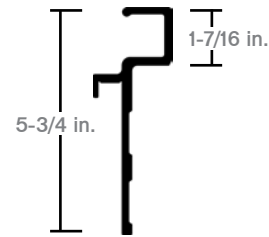
Stoughton Style

Cross Ref	Length
Stoughton# 132 in. TOP-ST01-1320	
02-06388-620-75 626 in. TOP-ST01-6260	



Material: Aluminum

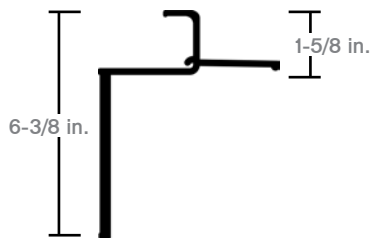
Cross Ref	Length
Stoughton# 132 in. TOP-ST02-1320	
02-20573-623-50 626 in. TOP-ST02-6260	



Material: Aluminum

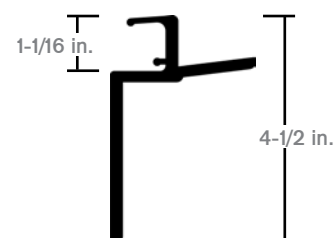
Utility Style

Cross Ref	Length
Utility# 132 in. TOP-UT01-1320	
1-6650-150 626 in. TOP-UT01-6260	



Material: Aluminum

Cross Ref	Length
Utility# 132 in. TOP-UT02-1320	
01-6650-0-179 626 in. TOP-UT02-6260	



Material: Aluminum

Quick Reference Trailer Body Cleaner

Part Number	Description	Amount
CHM12320P	Heavy Duty Truck Wash	1 gal.
CHM4120P	Aluminum Brightener Wheel Cleaner	1 gal.

BDY

Side Wall

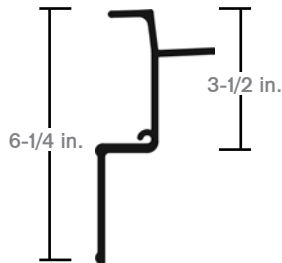


Side Rails: Top

Wabash

Universal Top or Nose

WABE0016260



Material: Aluminum
Length: 626 in.

DuraPlate®

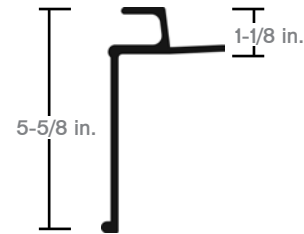
Length

360 in.

WABE0073600

626 in.

WABE0076260



Material: Aluminum

HD Wedge

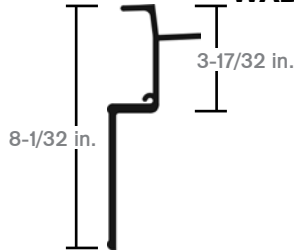
Length

360 in.

WABE0553600

626 in.

WABE0556260



Material: Aluminum

Upper Reefer

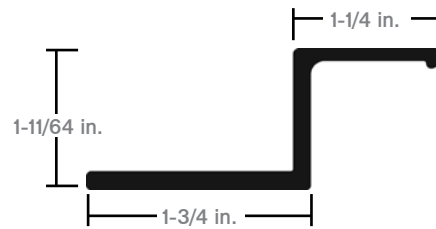
Length

132 in.

WABE3211320

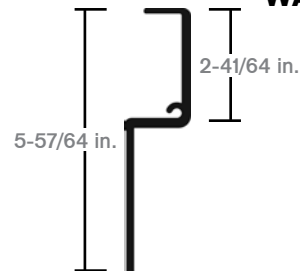
624 in.

WABE3216260



Reefer

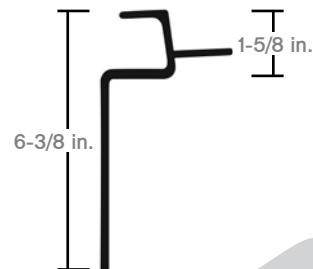
WABE3226260



Material: Aluminum
Length: 624 in.

	Length
WABE9241320	132 in.
WABE9243600	360 in.
WABE9246260	626 in.

Material: Aluminum



BDY

Side Wall



Body Parts

Splices: Top

BDY

Side Wall

Lower Angle
WAB01S00008



Material: Galvanized Steel
Length: 12 in.

Upper Angle
WAB01S00009



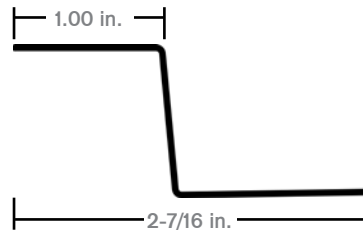
Material: Galvanized Steel
Length: 6 in.

Angle Plate
WAB01S00010



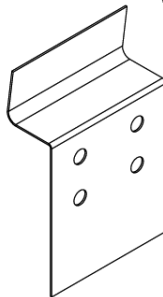
Material: Steel
Length: 24 in.

Upper
WAB01S00310



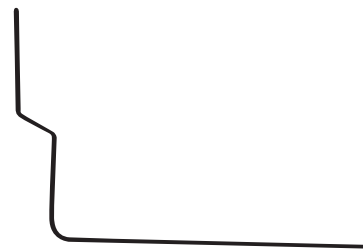
Material: Galvanized Steel
Length: 24 in.

WAB01S00795



Material: Steel

WAB01S01031

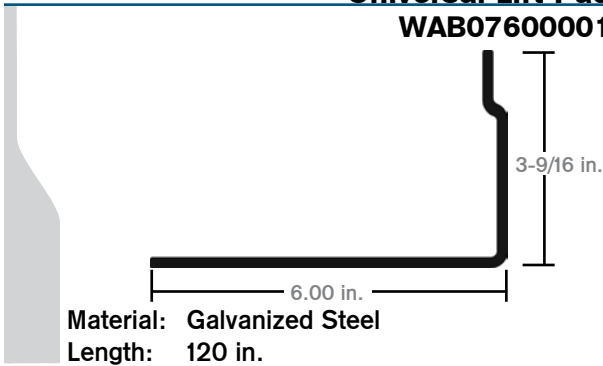


Material: Steel

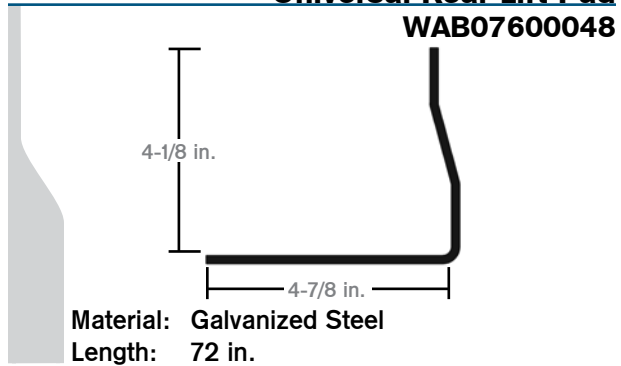


Lift Pads

Universal Lift Pad
WAB07600001



Universal Rear Lift Pad
WAB07600048



Pipe Spools

BBTP4610-0001



Stake Pockets

BBT4280-0001-001



FRUFEY0131-2



TSCPKA-001



TSCPKA-414



BDY

Side Wall



Body Parts

Skylights

Skylight

	Size	Thickness
TRU07110	4 in.	0.25 in.
TRU40270C	6 in.	0.41 in.
TRU40275C	6 in.	0.50 in.
TRU40271C	6 in.	0.56 in.



Round, Clear, Polycarbonate, Snap-Fit

Duraplate Doubler WAB01A01683



Material: Aluminum
Length: 12 in.

Skylight Panel WAB24200002



Material: Clear Lexan
Length: 12 in.

Skylight WAB24200405



Material: Lexan
OD: 5-1/4 in.

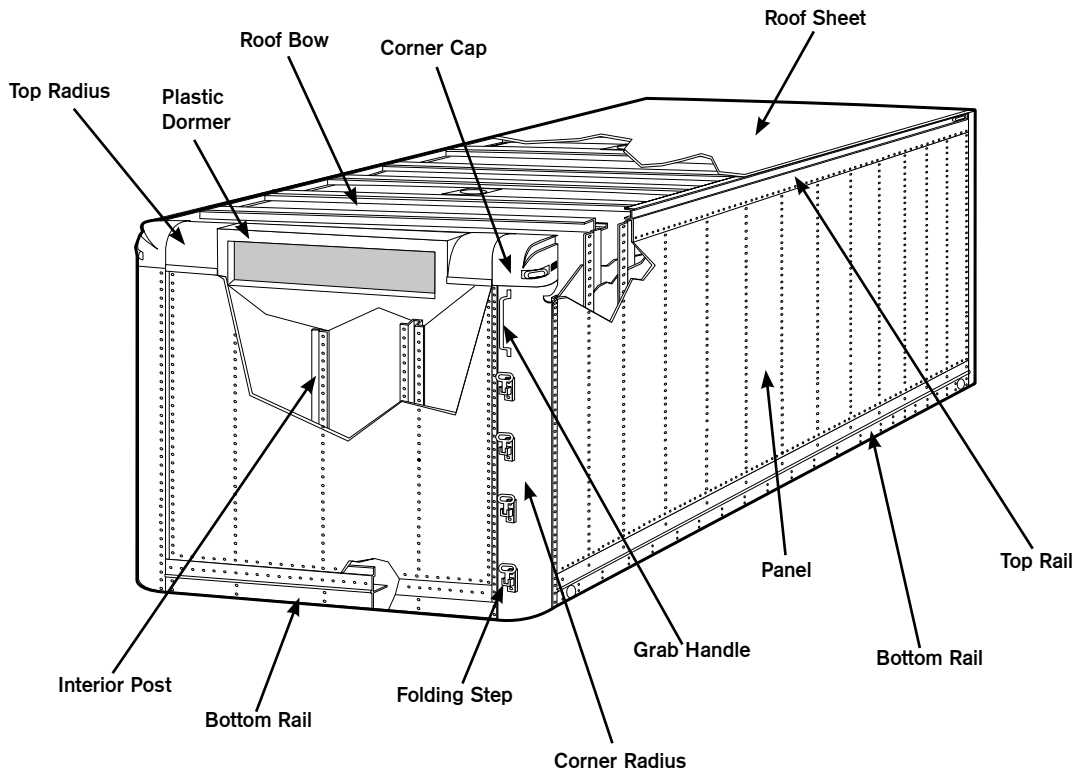
No Clips

BDY

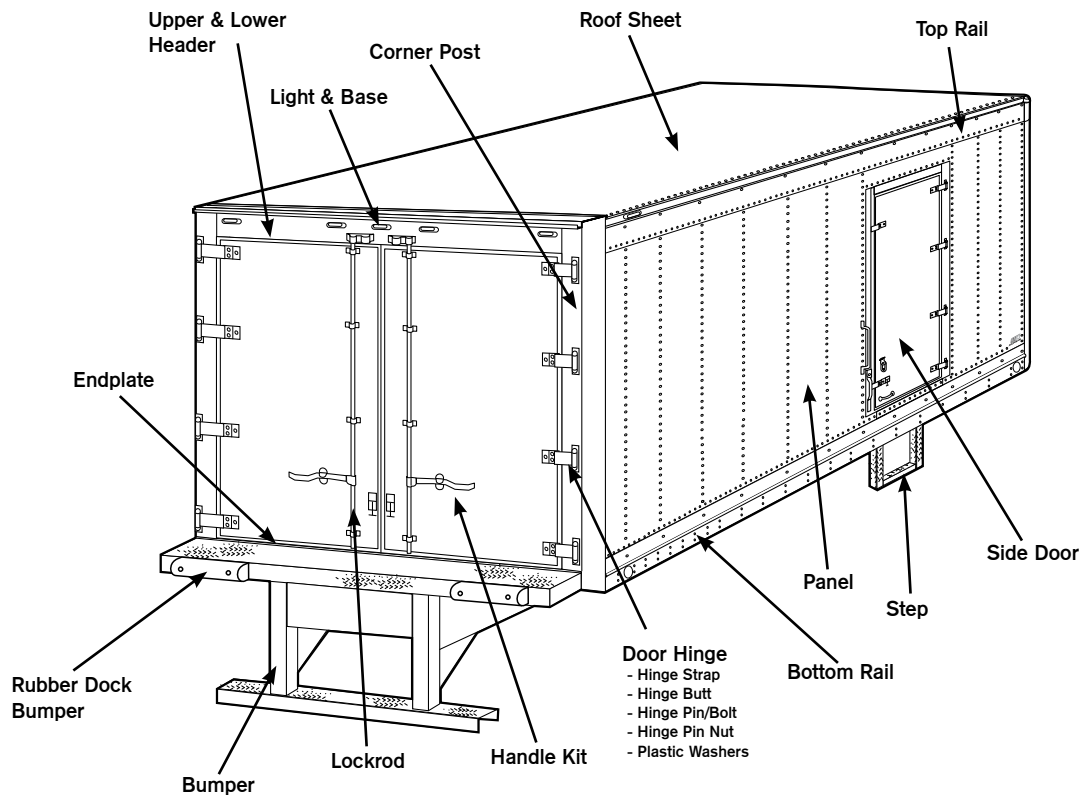
Side Wall



Front View



Rear View



BDY

Truck Body



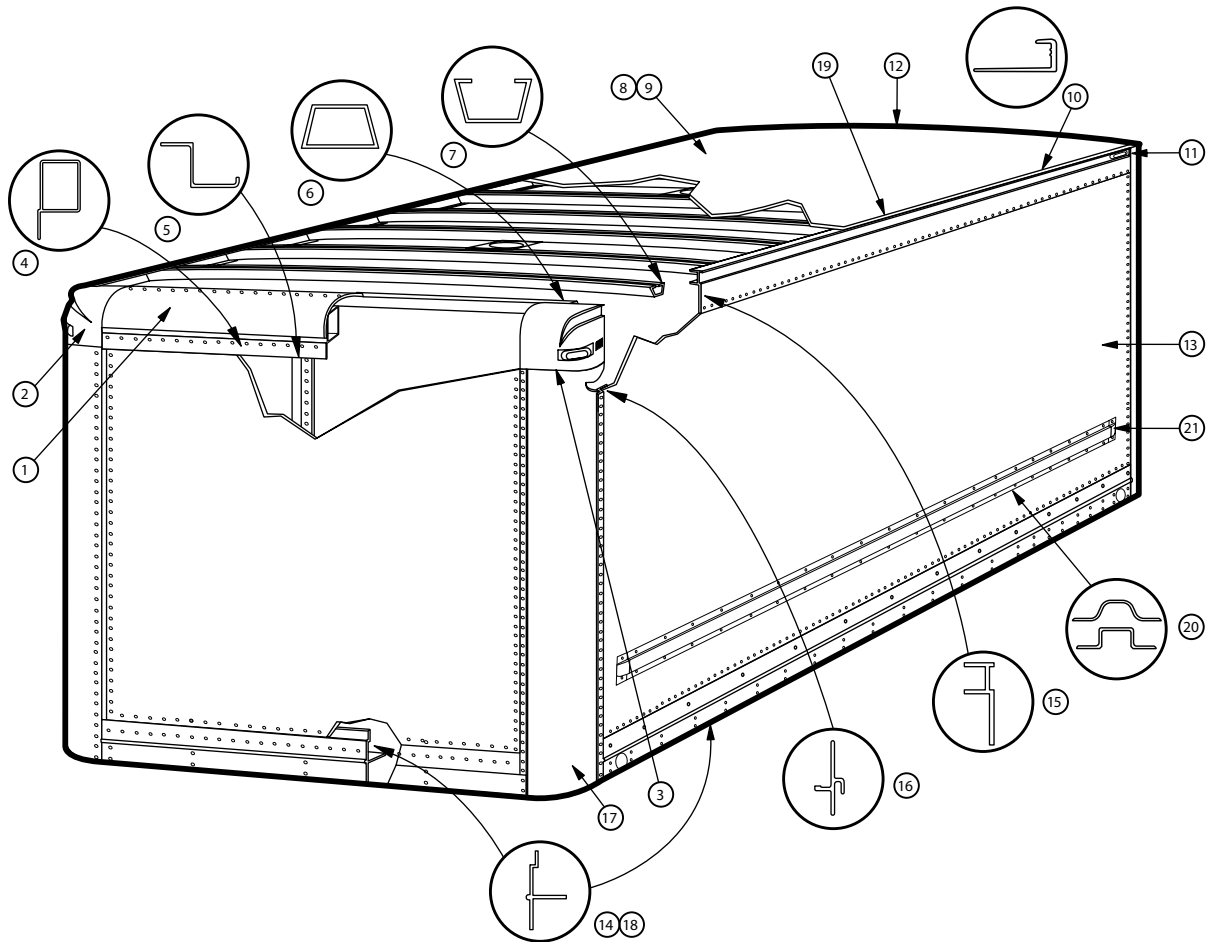
Body Parts

GVFD - FRP Van

Front View

BDY

Truck Body



MORGAN

Morgan

Truck Body

284

800.621.7949

= Key Items

www.AuroraParts.com

GVFD - FRP Van

Components

Item	Part Number	Description
1	Front Top Radius	
	MOR13500 / MOR13502	Aluminum; 96 / 102 in. Wide
	MOR13584 / MOR1358401	Stainless Steel; 96 / 102 in. Wide
2	Curbside Corner Cap	
	MOR00667101	Cast Aluminum; Pre 1998
	62660[^]	Plastic; 1998-9/2002
	MOR62664	Plastic; 9/2002 - Present
3	Roadside Corner Cap	
	MOR00667102	Cast Aluminum; Pre 1998
	MOR006720062	Plastic; 1998-9/2002
	MOR6266516	Plastic; 9/2002 - Present
4	MOR14142	Front Top Connector
5	MOR01913063	Interior Z-Post; Steel; 107 in.
6	Front Roof Bow	
	MOR083012406 / MOR192404	1-3/8 in.; 96 / 102 in.; Pre 1997
	MOR019083 / MOR0192404	1 in.; 96 / 102 in.; 1997-2002
	MOR0192403 / MOR0192404	1 in.; 96 / 102 in.; 2002-Present
7	Intermediate Roof Bow	
	MOR01901 / MOR01902	1-3/8 in.; 96 / 102 in.; Pre 1997
	MOR0190330 / MOR0190340	1 in.; 96 / 102 in.; 1997 - Present
8	MOR0664438 / MOR066443801	Translucent Roof Sheet; 96 / 102 in.
9	627042[^] / ALU1-4	Aluminum Roof Sheet; 96 / 102 in.
10	MOR003951	J-Molding
11	MOR006943	Rear Top Rail Closure; 102 in.
12	1438206 / 143821[^]	Rear Roof Closure Strip; 96 / 102 in.
13	Per Serial Number	FRP Panels
14	Bottom Rail	
	MOR000745 / MOR000785	18 / 26 ft.; Pre 1997
	MOR1403809	26 ft. without Holes; 1997-Present
15	Top Rail	
	MOR000085	253 / 301 in.; Pre 1997
	MOR0001704 / MOR0001709	205 / 325 in.; 1997-9/2002
	MOR00033901	325 in. without Holes; 9/2002-Present
16	MOR001481	Connector Posts 112-5/16 in.
17	Corner Radius	
	MOR00660	Aluminum; 92 / 104 in.
	MOR101423 / MOR01424	Stainless Steel; 92 / 104 in.
18	MOR0010151	Front Bottom Rail; 87 in.
19	MOR054101 / MOR05412	Roof Rivets; Aluminum / Translucent
20	MOR004558 / 0045541[^]	Rub Rail; 288 in.; Round / Square
21	MOR006972 / MOR00697	Rub Rail End Cap; Round / Square

[^]Part included for reference only.

Morgan

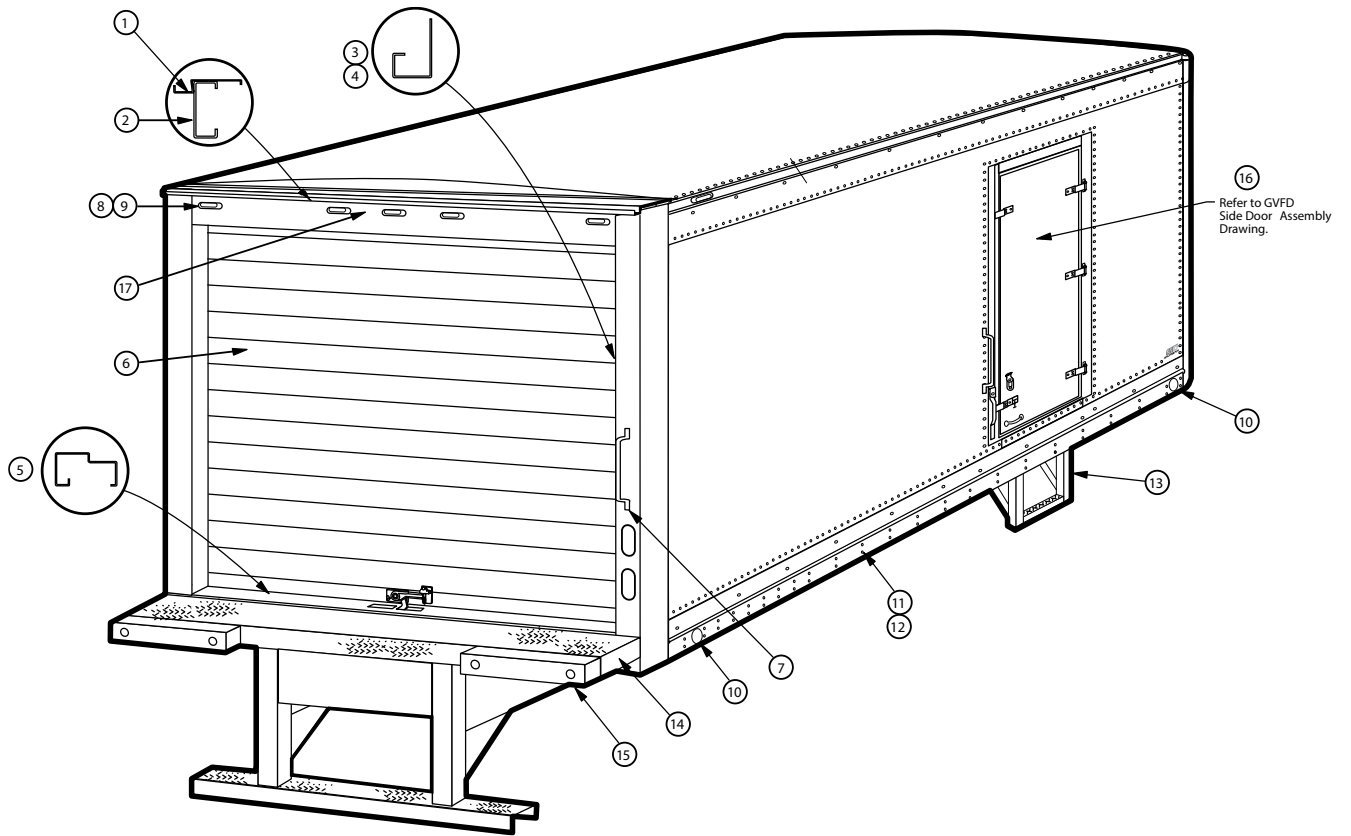
Body Parts

GVFD - FRP Van

Rear View

BDY

Truck Body



MORGAN

Morgan

Truck Body

286

800.621.7949

 = Key Items

www.AuroraParts.com

GVFD - FRP Van

Components

Item	Part Number	Description
1	Upper Header	
	MOR1121692 / MOR1121823	Galvanized Steel; 96 / 102 in. Wide
	MOR1121747	Stainless Steel; 96 / 102 in. Wide
2	Lower Header	
	MOR11216913	Galvanized; 96 / 102 in. Wide
	1121718[^] / 1121719[^]	Stainless Steel; 96 / 102 in. Wide
3	Corner Post	
	MOR1198653	Galvanized Steel
	1198704[^]	Stainless Steel
4	MOR10471822	Post Light Reinforcement
5	Bottom End Plate	
	MOR1076607 / 1076612[^]	Roll Up; 96 / 102 in. Wide
	1076609[^] / MOR1076611	Swing; 96 / 102 in. Wide
6	Per Serial Number	Overhead Door
7	MOR087919	Aluminum Grab Handle
8	Light Lens	
	MOR46001259	Turtle; Amber
	MOR46001260	Turtle; Red
	MOR0401511 / 040151[^]	Oval; Amber / Red
9	Light Base	
	MOR040179	With Pigtail
	04005[^]	Spliceless
10	MOR040634	Reflector; Amber
	MOR040644	Reflector; Red
11	051195[^]	Bottom Rail Bolt
12	MOR05210	Bottom Rail Nut
13	45600954[^]	Side Door Step
14	Dock Bumper	
	MOR1037002	Steel
	MOR1037102	6 in.
	MOR1037202	10 in.
15	Rubber Bumper Blocks	
	MOR07622	D-Shaped; 4 in. x 4 in. x 12 in.
	MOR076264	D-Shaped; 3 in. x 3 in. x 24 in.
	MOR0762204	D-Shaped; 4 in. x 4 in. x 24 in.
	MOR07621	Square; 3 in. x 3.5 in. x 6 in.
16	See Door Drawing	Side Door
17	041841[^]	Wiring Harness LED Lighting; 26 -28 ft.

BDY

Truck Body



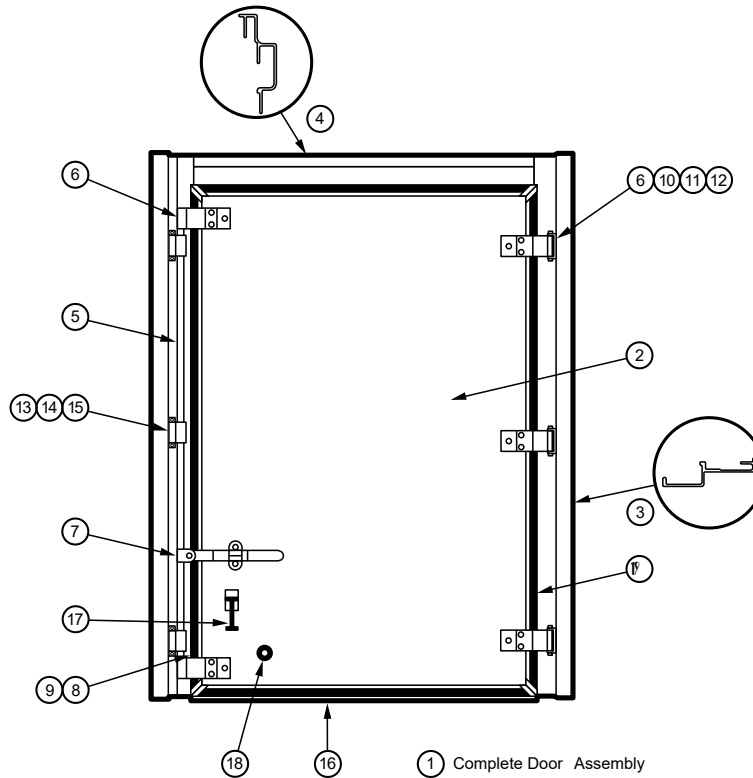
[^]Part included for reference only.

Morgan

Dry Freight - GVSD - Side Door Assembly

BDY

Truck Body



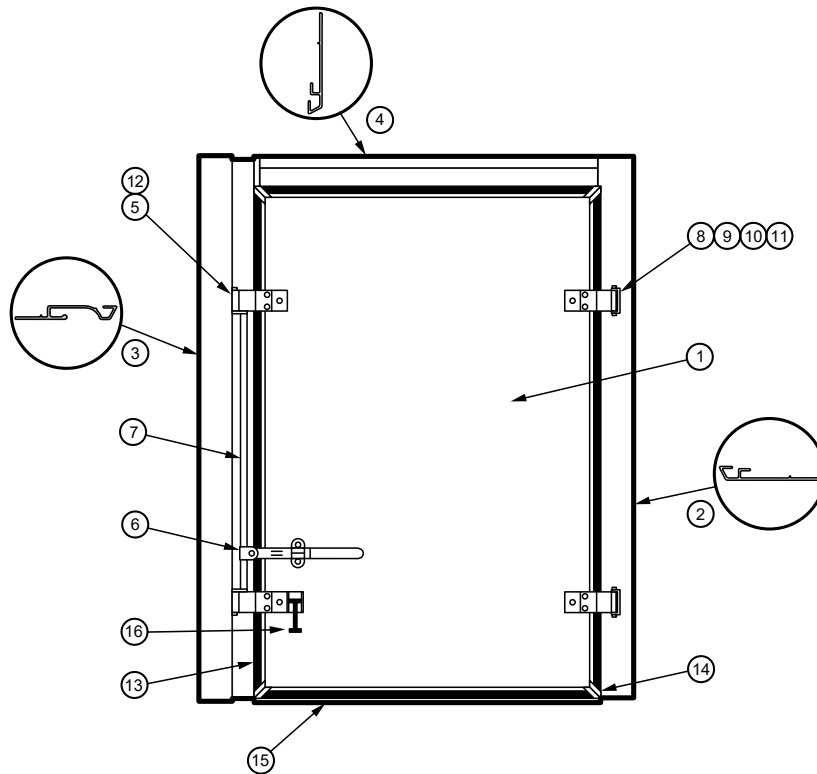
Components

Item	Part Number	Description
1	Complete Door	
	MORLHD5S50	Curbside
	MORLHD5S500	Roadside
2	033000[^]	Plymental Panel 4 ft. x 8 ft.
3	MOR14342021	Posts - 109 in.
4	MOR1121583	Header
5	Lockrod	
	MOR087122	Curbside
	MOR087121	Roadside
6	MOR004187	Hinge Straps
7	MOR087742	Lockrod Handle Kit
8	MOR113911	Aluminum Door Trim
9	MOR076351	Door Seal
10	MOR087226	Hinge Butt
11	MOR051176	Hinge Bolt
12	MOR052215	Hinge Nut
13	MOR087761	Lockrod Catch
14	MOR076931	Nylon Catch Wear Strip
15	080364[^]	Wear Strip Tape
16	MOR14330	Threshold
17	Hold Backs	
	MOR087603	Male
	MOR087604	Female
18	MOR07657	Rubber Door Stop
19	MOR0383309	Door Panel with Seal

Morgan

[^]Part included for reference only.

Dry Freight - FRP GVFD - Side Door Assembly



BDY
Truck Body

Item	Part Number	Description	Components
1	MOR03300	Door Panel - Plymetal	
2	MOR0028405	Post - Hinge Side - 108 in.	
3	MOR0028205	Post - Lock Side - 108 in.	
4	MOR142804	Header	
5	MOR004186	Lockrod Straps	
6	MOR0877 42	Lockrod Handle Kit	
7	MOR00317	Lockrod	
8	MOR004187	Hinge Strap	
9	MOR087226	Hinge Butt	
10	MOR051176	Hinge Bolt	
11	MOR052215	Hinge Bolt Nut	
12	MOR08730	Lock Rod Pin	
13	MOR077803	Door Seal - 146 in.	
14	MOR076502	Door Tab	
15	MOR143265	Threshold	
16	Holdback		
	MOR087603	Male	
	MOR087604	Female	



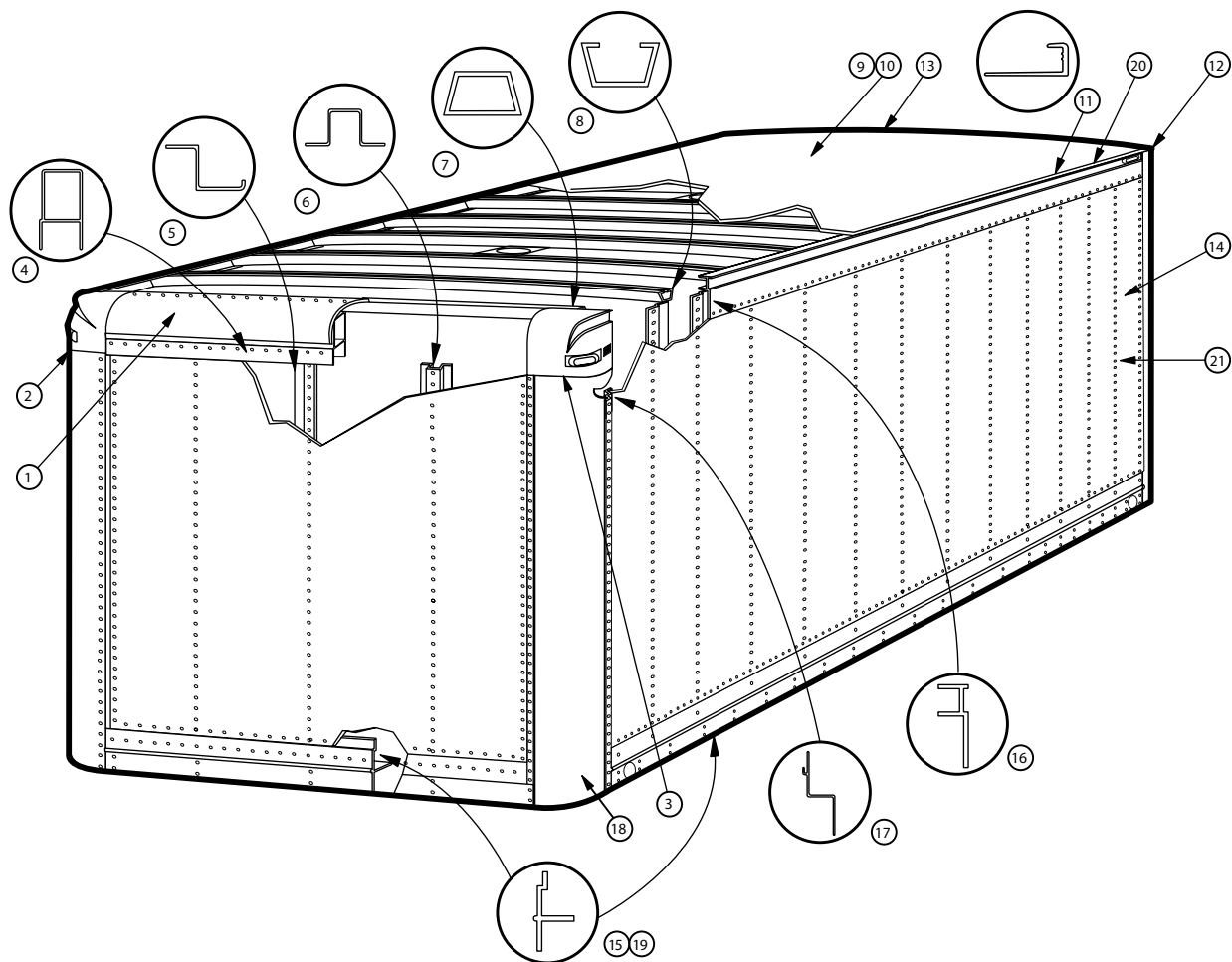
Body Parts

GVSD - Aluminum Van

Front View

BDY

Truck Body



MORGAN

Morgan

Truck Body

290

800.621.7949

= Key Items

www.AuroraParts.com

GVSD - Aluminum Van

Components

Item	Part Number	Description
1	Front Top Radius	
	MOR13500	Aluminum; 96 in.
	MOR13502	Aluminum; 102 in.
	MOR13584	Stainless Steel; 96 in.
2	Curbside Corner Cap	
	MOR0667101	Cast Aluminum; Pre 1998
	62660 [^]	Plastic; 1998-9/2002
	MOR6266416	Plastic; 9/2002 - Present
3	Roadside Corner Cap	
	MOR0667102	Cast Aluminum; Pre 1998
	MOR06720062	Plastic; 1998-9/2002
	MOR6266516	Plastic; 9/2002 - Present
4	MOR1620005	Front Top Connector
5	Interior Z-Post	
	MOR14211	Aluminum; 109 in.
	MORA0000119	Steel; 107 in.
6	Interior Hat Post	
	MOR14225	Aluminum; 109 in.
	MORA0000219	Steel; 107 in.
7	Front Roof Bow	
	12406 [^] / MOR0192404	1-3/8 in.; 96 / 102 in.; Pre 1997
	MOR019083 / MOR0192404	1 in.; 96 / 102 in.; 1997-2002
	MOR0192403	1 in.; 96 in.; 2002-Present
	MOR0192404	1 in.; 102 in.; 2002-Present
8	Intermediate Roof Bow	
	MOR01901	1-3/8 in.; 96 in.; Pre 1997
	MOR01902	1-3/8 in.; 102 in.; Pre 1997
	MOR0190330	1 in.; 96 in.; 1997 - Present
	MOR0190340	1 in.; 102 in.; 1997 - Present
9	MOR0664438	Translucent Roof Sheet; 96 in.
	MOR066443801	Translucent Roof Sheet; 102 in.
10	627042 [^] / ALU1-4	Aluminum Roof Sheet; 96 / 102 in.
11	MOR003951	J-Molding
12	MOR006943	Rear Top Rail Closure; 102 in.
13	1438206 / 143821 [^]	Rear Roof Closure Strip; 96 / 102 in.
14	Aluminum White Side Panel	
	MOR20020	49 in. Wide
	MOR20021	93 in.
	MOR20022	105 in.
15	MOR000785	120 in.
16	Bottom Rail; 26 ft.	
	Top Rail	
	MOR000056	229 in.; Pre 1997
	MOR0000961	325 in.; Pre 1997
	MOR00015904	205 in.; 1997-9/2002
	MOR00015904	325 in.; 1997-9/2002
MOR00015904	325 in.; 9/2002 - Present	
17	MOR00165	Connector Posts; 112-5/16 in.
18	Corner Radius	
	MOR00660	Aluminum; 97 / 109 in.
	MOR01424	Stainless Steel; 97 / 109 in.
19	MOR0010151	Front Bottom Rail; 87 in.
20	05410 [^] / MOR05412	Roof Rivets; Aluminum / Translucent
21	05410 [^]	Side Panel Rivets

BDY

Truck Body

MORGAN

[^]Part included for reference only.

Morgan

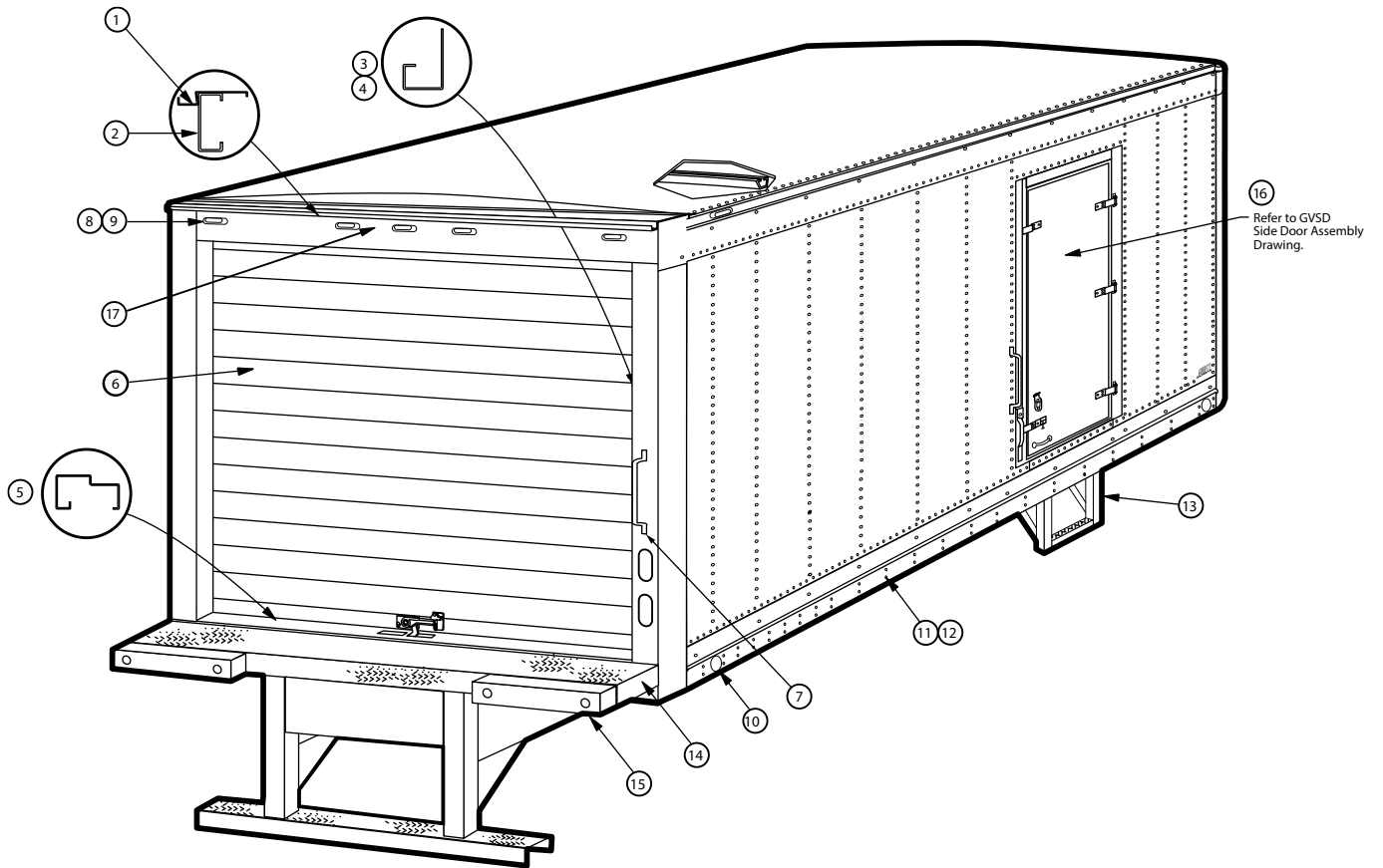
Body Parts

GVSD - Aluminum Van

Rear View

BDY

Truck Body



MORGAN

Morgan

Truck Body

292

800.621.7949

= Key Items

www.AuroraParts.com

GVSD - Aluminum Van

Components

Item	Part Number	Description
1	Upper Header	
	MOR1121692	Galvanized; 96 in. Wide
	MOR1121823	Galvanized; 102 in. Wide
	MOR1121747 / 1121748[^]	Stainless Steel; 96 / 102 in. Wide
2	Lower Header	
	MOR11216913	Galvanized; 96 in. Wide
	1121813[^]	Galvanized; 102 in. Wide
	11217181[^] / 1121714[^]	Stainless Steel; 96 / 102 in. Wide
3	Corner Post	
	MOR1198653	Galvanized
	1198704[^]	Stainless Steel
4	MOR10471822	Post Light Reinforcement
5	Bottom End Plate	
	MOR1076607	Roll Up; 96 in. Wide
	MOR1076611	Roll Up; 102 in. Wide
	1076609[^]	Swing; 96 in. Wide
	MOR1076611	Swing; 102 in. Wide
6	Per Serial Number	Overhead Door
7	MOR087919	Aluminum Grab Handle
8	Light Lens	
	MOR46001259	Turtle; Amber
	MOR46001260	Turtle; Red
	MOR0401511	Oval; Amber
	040151[^]	Oval; Red
9	Light Base	
	MOR040179	With Pigtail
	04005[^]	Spliceless
10	MOR040634	Reflector; Amber
	MOR040644	Reflector; Red
11	051195[^]	Bottom Rail Bolt; 3/8 x 1 in.
12	MOR05210	Bottom Rail Nut; 3/8 in.
13	45600954[^]	Side Door Step
14	Dock Bumper	
	MOR1037002	Steel
	MOR1037102	6 in.
	MOR1037202	10 in.
	MOR1037202	12 in.
15	Rubber Bumper Blocks	
	MOR07622	D-Shaped; 4 in. x 4 in. x 12 in.
	076204[^]	D-Shaped; 3 in. x 3 in. x 24 in.
	MOR0762204	D-Shaped; 4 in. x 4 in. x 24 in.
	MOR07621	Square; 3 in. x 3.5 in. x 6 in.
16	See Door Drawing	Side Door
17	041841[^]	Wiring Harness, LED 26-28 ft.

[^]Part included for reference only.

Morgan

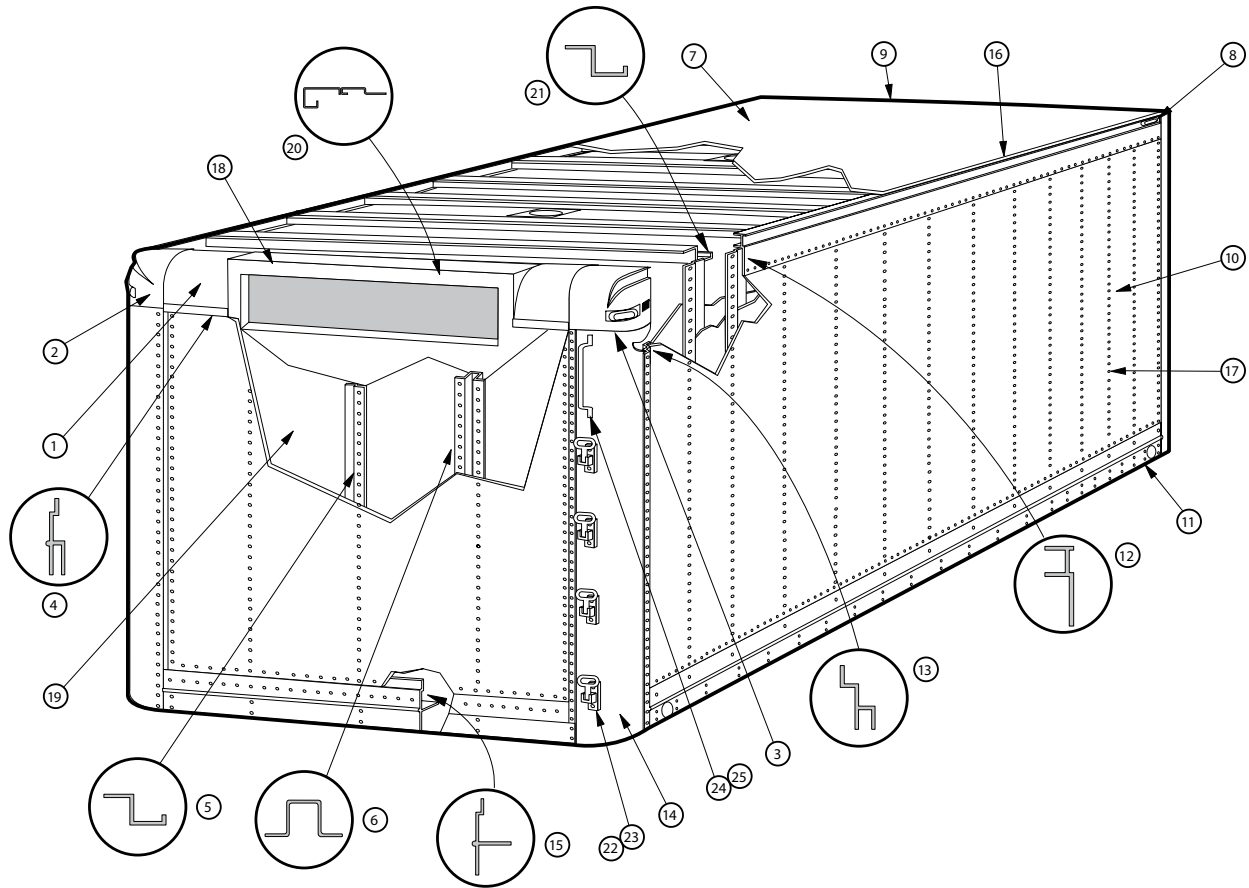
Body Parts

GVSR - Refrigerated Body

Front View

BDY

Truck Body



MORGAN

Morgan

Truck Body

294

800.621.7949

= Key Items

www.AuroraParts.com

GVSR - Refrigerated Body

Components

Item	Part Number	Description
1	Front Top Radius	
	MOR13500	Aluminum; 96 in.
	MOR13502	Aluminum; 102 in.
	MOR13584	Stainless Steel; 96 in.
2	Curbside Corner Cap	
	MOR1358401	Stainless Steel; 102 in.
	006671[^]	Cast Aluminum; Pre 1998
	62660[^]	Plastic; 1998-9/2002
3	Roadside Corner Cap	
	MOR6266416	Plastic; 9/2002 - Present
	0066710[^]	Cast Aluminum; Pre 1998
4	MOR006720062	
	MOR6266516	Plastic; 1998-9/2002
	MOR14142	Plastic; 9/2002 - Present
5	MOR14142	Front Top Connector
6	MOR14211	Interior Z-Post, Aluminum; 109 in.
7	MOR14225	Interior Hat Post; Aluminum; 109 in.
8	627042[^] / ALU1-4	
	8	Aluminum; 96 / 102 in.
9	Rear Top Rail Closure	
	MOR006943	Pre-2000
	MOR143905	2000-Present
10	1438206[^] / 143821[^]	Rear Roof Closure Strip
11	Aluminum White Side Panel	
	MOR20020	49 in. Wide
	MOR20021	93 in.
	MOR20022	105 in.
12	MOR000785	120 in.
13	MOR000785	
	11	Bottom Rail; 26 ft.
	Top Rail	
	MOR00015904	205 in.; 1997-9/2002
14	MOR00015904	325 in.; 1997-9/2002
	MOR00015904	325 in.; 9/2002 - Present
	MOR00165	Connector Posts; 112-5/16 in.
15	Corner Radius	
	00659[^] / MOR00660	Aluminum; 97 / 109 in.
	01423[^] / MOR01424	Stainless Steel; 97 / 109 in.
16	MOR0010151	Front Bottom Rail; 87 in.
17	05410[^]	Roof Rivets
18	05410[^]	Side Panel Rivets
19	Plastic Dormer	
	MOR06645	96 in.
20	MOR066450	102 in.
	Reefer Reinforcement Assembly	
21	Front Roof Bow	
	MOR0002502	96 in. Wide
	MOR0002503	102 in. Wide
22	Intermediate Roof Bows	
	MOR141862	96 in. Wide
23	MOR141863	102 in. Wide
24	MOR0784104	Folding Steps
25	MOR122261	Folding Step Reinforcement
26	MOR087919	Grab Handle
27	MOR122282	Grab Handle Reinforcement

[^]Part included for reference only.

Morgan

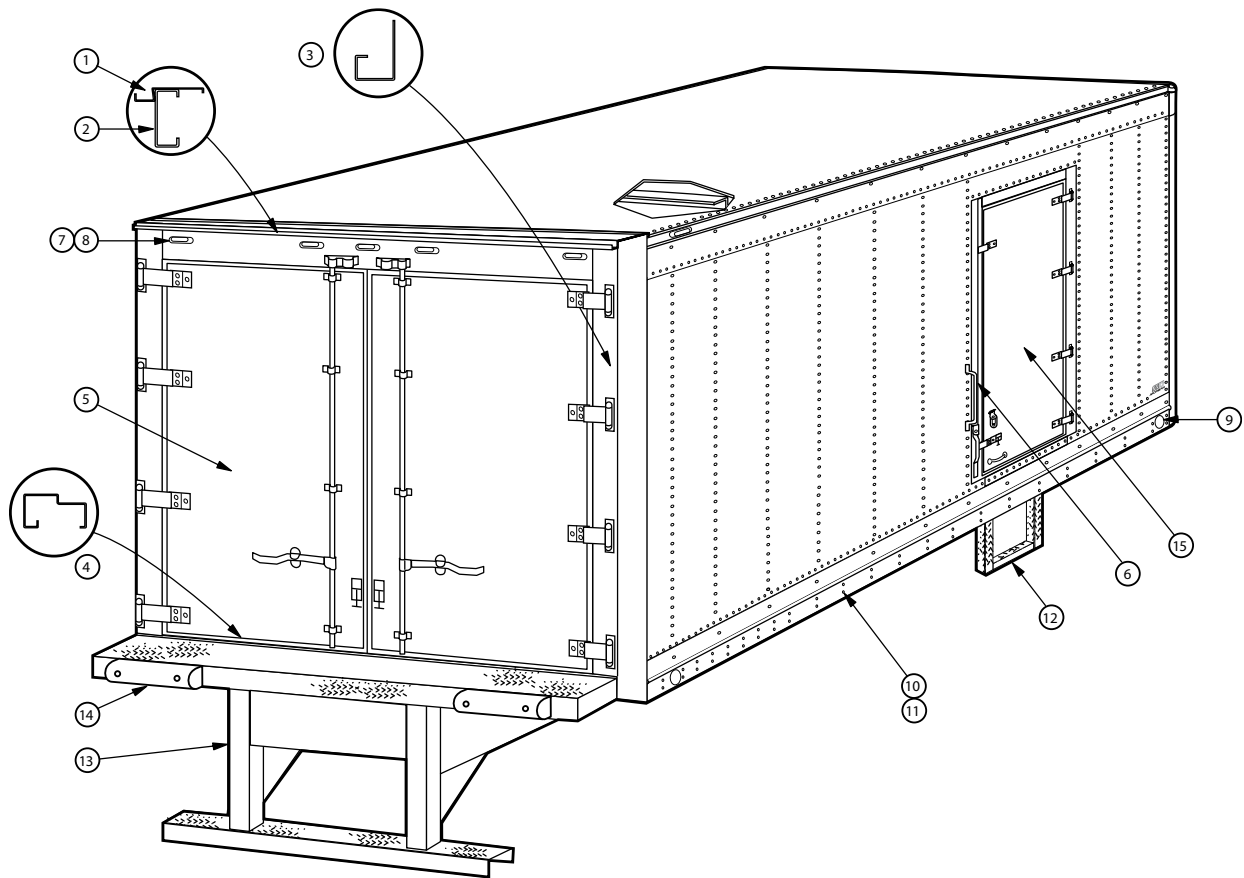
Body Parts

GVSR - Refrigerated Body

Rear View

BDY

Truck Body



MORGAN

Morgan

Truck Body

296

800.621.7949

= Key Items

www.AuroraParts.com

Cross-reference parts are listed for reference only. © 2018 Aurora Parts & Accessories, LLC., All Rights Reserved

GVSR - Refrigerated Body

Components

Item	Part Number	Description
1	MOR1121747	Upper Header; 96 in.
	1121748[^]	Upper Header; 102 in.
2	Lower Header	Stainless Steel
	1121228[^]	12-1/4 in. x 96 in.
	1121237[^]	13-1/4 in. x 96 in.
	1121322[^]	6-15/16 in. x 96 in.
	1121229[^]	12-1/4 in. x 102 in.
	1121238[^] 1121323[^]	13-1/4 in. x 102 in. 6-15/16 in. x 102 in.
3	Rear Corner Post	Stainless Steel
	1198743[^]	Overhead Door
	1198704[^]	Swing Door
4	Rear Endplate	
	1076312[^] / 1076313[^] MOR1076302 / 1076303[^]	Swing; 96 / 102 in. Overhead; 96 / 102 in.
5	Per Serial Number	Rear Doors
6	MOR087919	Grab Handle
7	Light Lens	
	MOR46001259	Turtle; Amber
	MOR46001260	Turtle; Red
	MOR0401511 / 040151[^]	Oval; Amber / Red
8	Light Base	
	MOR040179 04005[^]	with Pigtail Spliceless
9	MOR040634	Reflector; Amber
	MOR040644	Reflector; Red
10	051195[^]	Bottom Rail Bolt
11	MOR05210	Bottom Rail Nut
12	45600954[^]	Side Door Step
13	Bumper	
14	Rubber Bumper Blocks	
	MOR07622	D-Shaped; 4 in. x 4 in. x 12 in.
	MOR076264	D-Shaped; 3 in. x 3 in. x 24 in.
	MOR0762204	D-Shaped; 4 in. x 4 in. x 24 in.
	MOR07621	Square; 3 in. x 3.5 in. x 6 in.
15	Side Door	

BDY

Truck Body



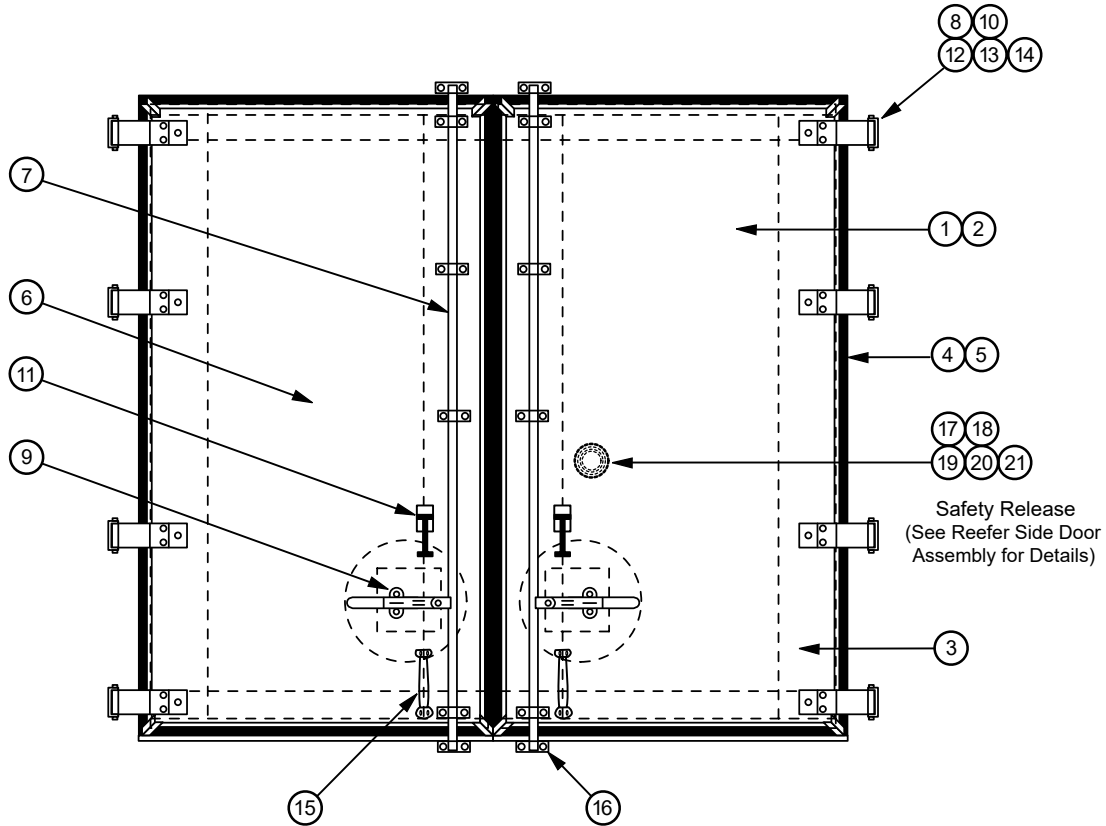
[^]Part included for reference only.

Body Parts

Refrigerated Body - GVSR - Rear Doors

BDY

Truck Body



Components

Item	Part Number	Description
1	MOR20021	Door Skin
2	KEMAFS90X48X8	Glassboard Liner, 4 ft. x 8 ft.
3	Door Frame Perimeter	
	MOR00427016	Vertical
	MOR00428015	Horizontal
4	MOR0762971	Rubber Door Seal
5	Door Build Up	
	0762951 ^	3 in.
	0762961 ^	4 in.
6	MOR642019	Foam Insulation
7	Lockrod	
	MOR08738177	Right Hand
	MOR08738178	Left Hand
8	MOR004188	Rear Hinge Strap
9	MOR087107	Handle Kit
10	MOR051176	Hinge Bolt

Item	Part Number	Description
11	Door Hold Backs	
	MOR087603	Male
	MOR087604	Female
12	MOR052215	Hinge Bolt Nuts
13	MOR05550	Nylon Washers
14	MOR087226	Hinge Butts
15	MOR08788	Grab Handles
16	Rear Door Keepers	
	MOR087726	Roadside Bottom
	MOR087725	Curbside Bottom
	MOR07779	Safety Release Cup
17	MOR45319	Safety Release Handle
18	05255 ^	Handle Washer
19	MOR11470	Safety Release Plate
20	MOR076543	Keeper Gasket
21		

^Part included for reference only.

Morgan

Truck Body

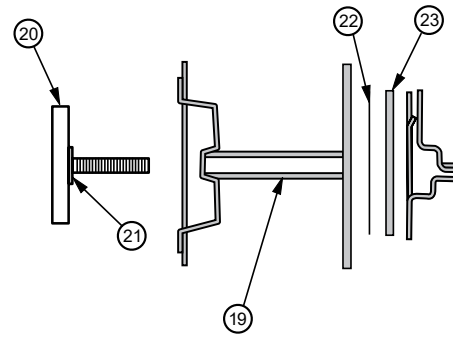
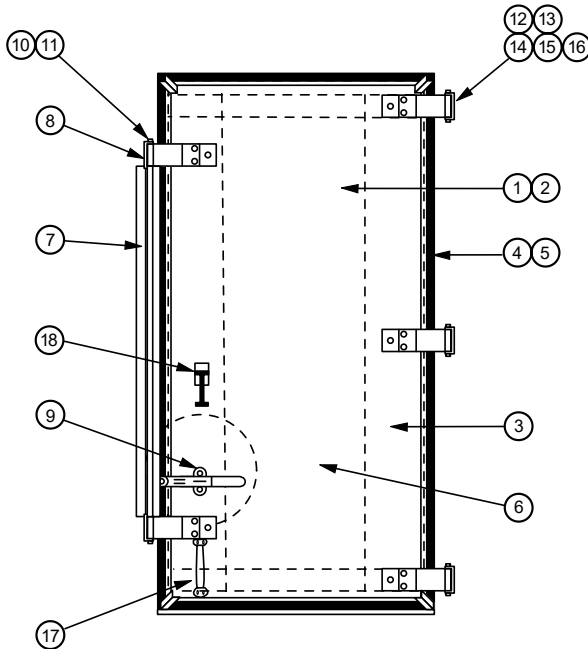
298

800.621.7949

= Key Items

www.AuroraParts.com

Refrigerated Body - GVSR - Side Door



Safety Release
(detail applies to both side and rear Reefer doors)

BDY
Truck Body

Components

Item	Part Number	Description
1	MOR20021	Door Skin
2	KEMAFS90X48X8	Glassboard Liner, 4 ft. x 8 ft.
3	Door Frame Perimeter	
	MOR00427016	Vertical
	MOR00428015	Horizontal
4	MOR642019	Rubber Door Seal
5	Door Build Up	
	0762951 ^	3 in.
	0762961 ^	4 in.
6	MOR642019	Foam Insulation
7	MOR00317	Lockrod Cam
8	MOR004186	Lockrod Hinge Strap
9	MOR087742	Handle Kit
10	MOR08730	Lockrod Pin
11	MOR08737	Antitheft Pins
12	MOR004188	Hinge Straps

Item	Part Number	Description
13	MOR051176	Hinge Bolts
14	MOR052215	Hinge Bolt Nuts
15	MOR05550	Nylon Washers
16	MOR087226	Hinge Butts
17	MOR08788	Grab Handles
18	Hold Back	
	MOR087603	Male
	MOR087604	Female
19	0779 ^	Safety Release Cup
20	MOR45319	Safety Release Handle
21	05255 ^	Handle Washer
22	MOR11470	Safety Release Plate
23	MOR076543	Keeper Gasket

^Part included for reference only.

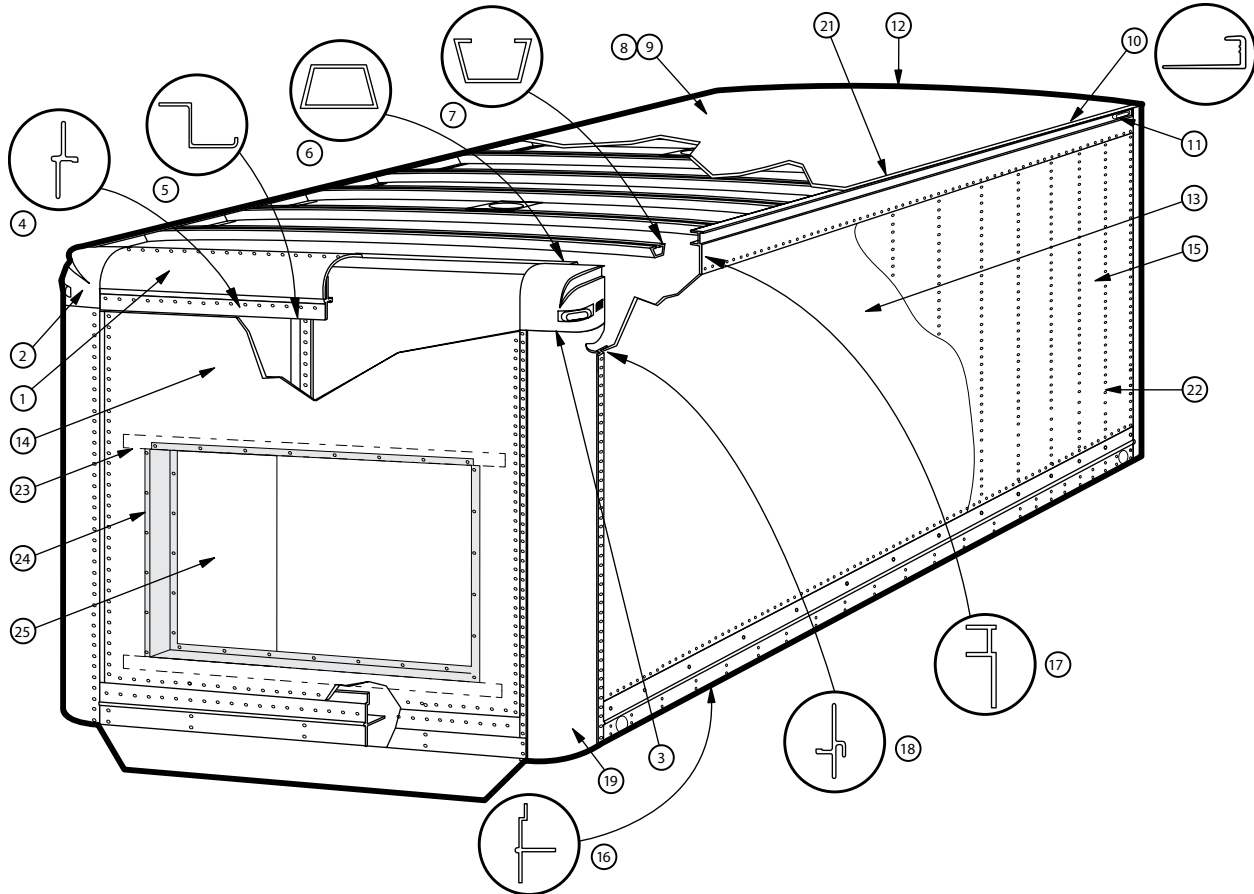
Body Parts

Parcel Van

Front View

BDY

Truck Body



Item	Part Number	Description
1	Front Top Radius MOR13500 MOR13584	80 in. - 88 in. Aluminum Stainless Steel
2	Curbside Corner Cap 006671 [^] 62660 [^] MOR6266416	Cast Aluminum; Pre 1998 Plastic; 1998 - 9/2002 Plastic; 9/2002 - Present
3	Roadside Corner Cap 0066710 [^] MOR006720062 MOR6266516	Cast Aluminum; Pre 1998 Plastic; 1998 - 9/2002 Plastic; 9/2002 - Present
4	1623002 [^]	Front Top Connector
5	Interior Z-Posts MORA0000119 MOR01913063	107 in. PVSD PVFD

Morgan

Truck Body

300

800.621.7949

= Key Items

www.AuroraParts.com

Parcel Van

Components

Item	Part Number	Description
6	Front Roof Bow	
	12406 [^]	96 in.; 1-3/8 in.; Pre 1997
	MOR0192404	102 in.; 1-3/8 in.; Pre 1997
	MOR019083	96 in.; 1 in.; 1997 - 2002
	MOR0192404	102 in.; 1 in.; 1997 - 2002
	MOR0192403	96 in.; 1 in.; 2002 - Present
7	Intermediate Roof Bow	
	MOR01901	96 in.; 1-3/8 in.; Pre 1997
	MOR01902	102 in.; 1-3/8 in.; Pre 1997
	MOR0190330	96 in.; 1 in.; 1997 - Present
	MOR0190340	102 in.; 1 in.; 1997 - Present
8	Translucent Roof Sheet	
	MOR0664438	96 in.
9	Aluminum Roof Sheet	
	627042 [^]	96 in.
10	ALU1-4	102 in.
	MOR003951	J-Molding; 96 in.
11	MOR006943	Rear Top Rail Closure Casting
12	Rear Roof Closure Strip	
	1438206 [^]	96 in.
	143821 [^]	102 in.
13	MOR6480102	FRP Side Panel; 3/8 x 96 x 192 in.
14	MOR64804204	FRP Front Panel; 1/2 x 96 x 192 in.
15	Aluminum White Side Panel	
	49 in. Width	
	MOR20020	93 in.
	MOR20021	105 in.
16	Bottom Rail	
	MOR000745	18 ft.
	MOR000785	26 ft.
17	Top Rail	
	MOR000056	229 in.; Pre 1997
	MOR0000961	325 in.; Pre 1997
	MOR00015904	205 in.; 1997 - 9/2002
	MOR00015904	325 in.; 1997 - 9/2002
18	Connector Post	
	MOR00165	112.31 in.
	MOR001481	PVFD
19	Corner Radius	
	MOR00660	Aluminum; 97 in.
	MOR00660	Aluminum; 109 in.
	MOR01424	Stainless Steel; 97 in.
21	Roof Rivets	
	MOR05412	Stainless Steel; 109 in.
22	05410 [^]	For Aluminum Roof
23	MOR07710	For Translucent Roof
24	0058445 [^]	Side Panel Rivets
25	Per Serial Number	Door Track; 144 in.
		Edge Cap Exterior; 192 in.
		Door Panel

BDY

Truck Body



[^]Part included for reference only.

Morgan

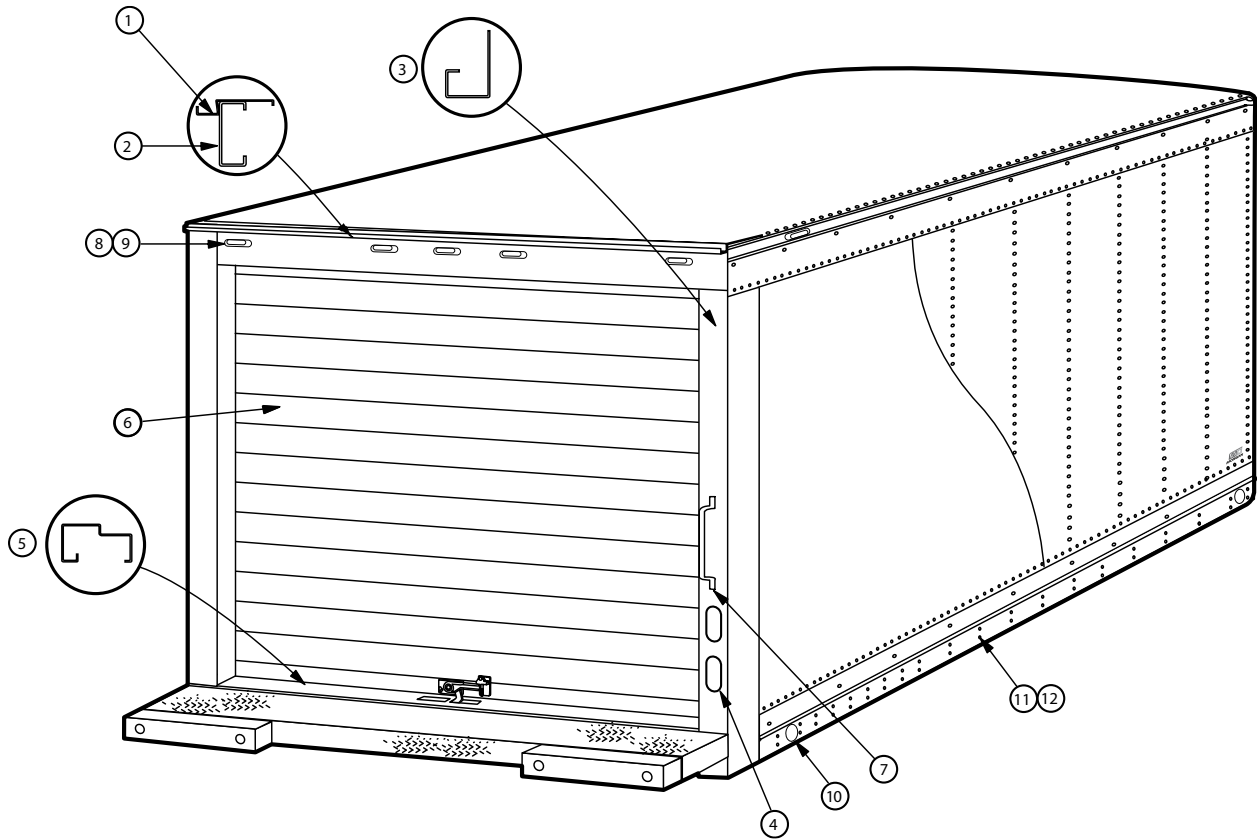
Body Parts

Parcel Van

Rear View

BDY

Truck Body



MORGAN

Morgan

Truck Body

302

800.621.7949

= Key Items

www.AuroraParts.com

Cross-reference parts are listed for reference only. © 2018 Aurora Parts & Accessories, LLC., All Rights Reserved

Parcel Van

Components

Item	Part Number	Description
1	Upper Header	96 in.
	MOR1121692	Galvanized Steel
	MOR1121747	Stainless Steel
2	Lower Header	88 in.
	MOR11216913	Galvanized Steel
	11217181[^]	Stainless Steel
3	Corner Post	114.31 in.
	MOR1198653	Galvanized; w/lights-C/S
	MOR1198633278	Galvanized; w/lights-C/S
	MOR1198633279	Galvanized; w/lights-R/S
	1198704[^]	Stainless; w/lights-C/S
	1198738[^]	Stainless; w/lights-C/S
4	1198739[^]	Stainless; w/lights-R/S
	MOR10471822	C/P Light Reinforcement; 24 in.
	Bottom End Plate	
5	1077462[^]	O/H/ Door
	1077464[^]	Panel Doors
6	Call with model & serial no.	Overhead Door
7	MOR087919	Aluminum Grab Handle; 12 in.
8	Turtle Back Light Base	
	04015[^]	Amber
	04014[^]	Red
8	Oval Light Lens	
	MOR0401511	Amber
	040151[^]	Red
9	Light Base	
	MOR040179	with Pigtail
10	04005[^]	Spliceless
	Reflector	
	MOR040634	Amber
11	MOR040644	Red
	051195[^]	Bottom Rail Bolt; 3/8 x 1 in.
12	MOR05210	Bottom Rail Nut; 3/8 in.

BDY

Truck Body



[^]Part included for reference only.

Morgan

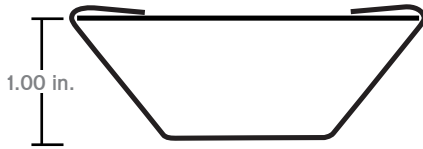
Body Parts

Morgan

Roof

Intermediate Roof Bow

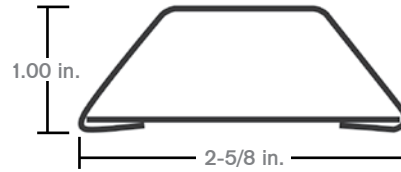
Trailer Width	Length	Part Number
96 in.	92 in.	MOR0190330
102 in.	98 in.	MOR0190340



Style: Anti-Snag
Material: Steel

Front (Starter) Roof Bow

Trailer Width	Length	Part Number
96 in.	92 in.	MOR0192403
102 in.	98 in.	MOR0192404



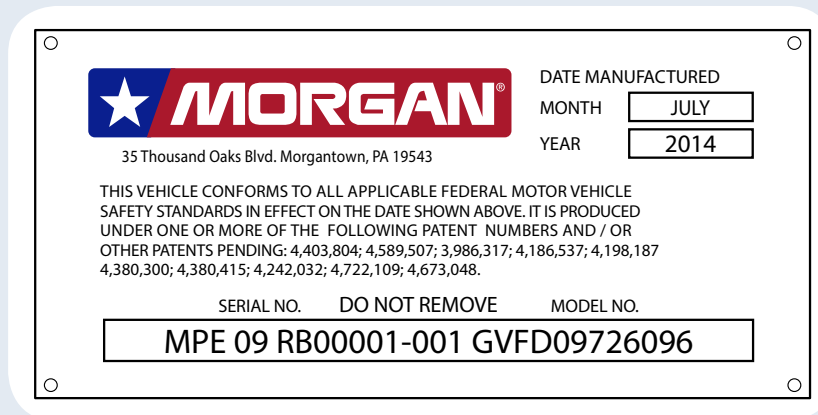
Material: Steel
Year: 2002 - Present

BDY

Truck Body

Morgan

Identification Tag



PLANT LOCATION

MODEL YEAR

SERIES

SALES AGREEMENT/ SERIAL NUMBER

XXX XX XXX XXXXX - XXX XXXXX XXX XX XXX

QUANTITY

MODEL CODE

HEIGHT

LENGTH

WIDTH

Morgan

Front Radius Corner Post

Material	MOR00660
Aluminum	MOR01424

Stainless Steel
6-1/2 in.

6-1/2 in.

Length: 104-5/16 in. Wide: 109 in.

**Front Wall
Front Top Connector**

MOR14142

2-5/16 in.

1-7/16 in.

Material: Aluminum For: GVSD, GVSR
Length: 87 in. Year: Pre 2003

Top Radius Nose Rail

Trailer Width	Length	
96 in.	80-7/8 in.	MOR13500
102 in.	86-7/8 in.	MOR13502

12-3/8 in.

10-13/16 in.

Material: Aluminum For: PVSD, GVSD, GVFD, GVMD, GVSR

Front Corner Cap Kit

Location	
Curbside	MOR6266416
Roadside	MOR6266516

(MOR6266516)

Side Wall

Top Rail
MOR00015904

6.00 in.

1.00 in.

Length: 325 in. For: PVFD, GVSD, GVSR
Year: 9/2002 - Current

Top Rail
MOR00033901

4-3/4 in.

1.00 in.

Length: 325 in. For: GVMD, GVFD
Year: 2002 - Present

Side Bottom Rail
MOR000785

7-5/16 in.

Length: 301 in. For: PVSD, GVSD, GVFD Pre 1997, GVSR
Wide: 312 in.

Interior 'Z' Side Post
MOR01913063

Length: 107 in. For: PVFD, GVFD, GVMD
Material: Galvanized Steel

BDY

Truck Body

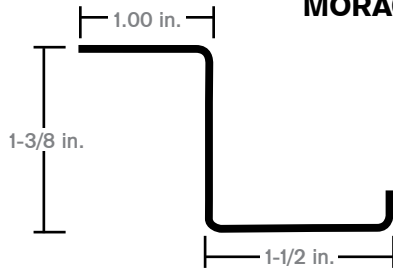


Body Parts

Morgan

Side Wall

'Z' Side Post
MORA0000119



Length: 107 in.
Material: Steel

For: GVSD, PVSD

Square Handle
MOR087919



Material: Aluminum
Length: 12 in.

Rub Rail End Cap
MOR006972



Material: Aluminum
Style: Round

For: GVFD, GVMD

Rear Wall

Rubber Bumper

Part Number	Width	Height	Length	Type	Additional
MOR076263	2-1/2 in.	3 in.	24 in.	Square	Black
MOR076221	3 in.	3 in.	12 in.	D-Shape	Black
MOR076264	3 in.	3 in.	24 in.	D-Shape	Solid
MOR07622	4 in.	4 in.	12 in.	D-Shape	Black



(MOR076263)



(MOR076221)



(MOR076264)



(MOR07622)

BDY

Truck Body

MORGAN

Morgan

**Apitong Tie Slat
WDS1-12**

Cross Ref: Morgan # 02192



Thickness: 1 in.
Width: 3 in.
Length: Random

Rear Wall

**Walkramp Closure Guides
MOR077034**



Material: Plastic

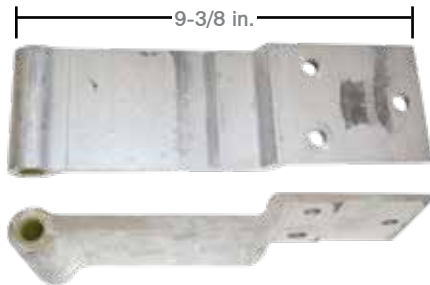
**Walkramp Carrier Slide
MOR077038**



Material: Plastic

Door Hardware

MOR004188



MOR087226



FLT022-01046



Material: Aluminum

BDY

Truck Body

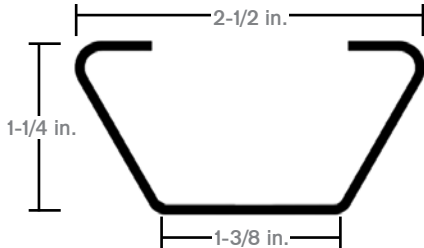


Body Parts

Supreme

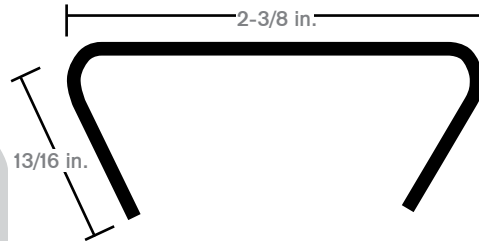
Roof

Anti-Snag Roof Bow
SUP015084003



Material: Steel
Length: 97-1/16 in.

Roof Bow Insert for Starter
SUP015557731



Length: 94 in.
SVA, SVF, SIF, SIA

Front Wall

Front Corner Cap

Location	Part Number
Roadside	SUP001014
Curbside	SUP001015



Material: Cast Aluminum

Front Corner Cap

Color	Location	Part Number
Gray	Curbside	SUP116385
Gray	Roadside	SUP116386



Material: Plastic

Supreme

Serial Number

9 0 1 0 1 2 3 4 SVA 16 0 8 5 0 9 6

MODEL YEAR
Based on Federal Method of Vehicle Identification

PLACE HOLDER

MANUFACTURING LOCATION	
1 or 9	Goshen, IN
2	Cleburne, TX
3	Griffin, GA
4	Moreno Valley, CA
5	Jonestown, PA
6	Woodburn, OR

SALES LOCATION

ORDER COUNTER

LENGTH	HEIGHT	WIDTH
Feet	Inches	Inches

BODY MODEL	
BEZ, FEZ, FEZHD, BAZ	EZ Access
BEV	Inner City Beverage
IF	Inner City FRP
IA	Inner City Aluminum
IX	Inner City Insulated
KS	Curtain Side
MI	Spartan Cutaway Service Body
MS	Spartan Van Service Body
MX	Spartan Insulated Body
SX	Stake Body Extra HD
SH	Stake Body HD
SS, SC	Stake Body Std or Compact
VA	Aluminum Van
VF	FRP Van
VG, VX	Refrigerated
SIA, SIF, SVA, SVF	Signature Body Model

BDY

Truck Body

SUPREME™

Supreme

Front Corner Cap

Color	Location	Part Number
Gray	Curbside	SUP116404
Gray	Roadside	SUP116405



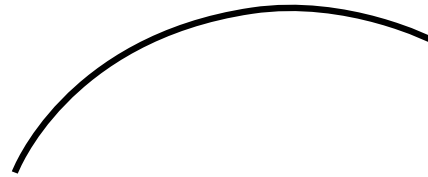
(SUP116405)

Material: Plastic

Front Wall

Wind Deflector

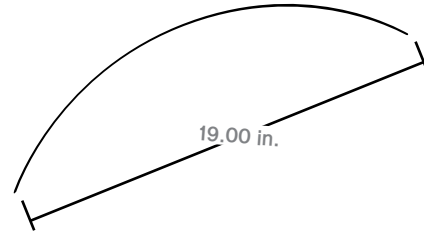
SUP003576591



Material: Aluminum
Size: 0.05 x 20-1/2 x 85-5/8 in.

Nose Cone

SUP003559914

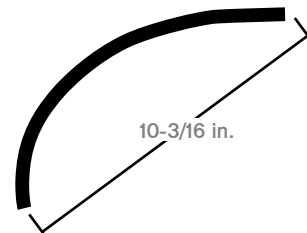


Material: Aluminum
Length: 86 in.

Side Wall

Corner Radius

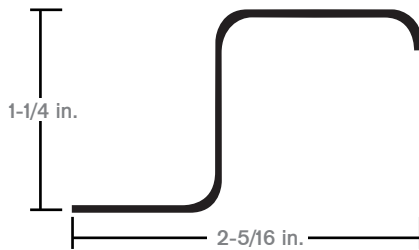
SUP0027928045



Truck Body: 102 in.
Without Holes

'Z'-Post

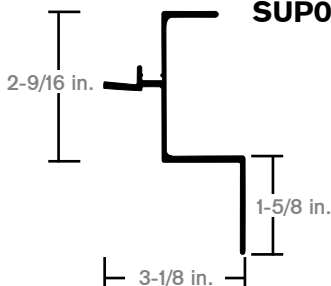
SUP015201011



Material: Steel
Length: 106-3/8 in.

FRP Top Rail

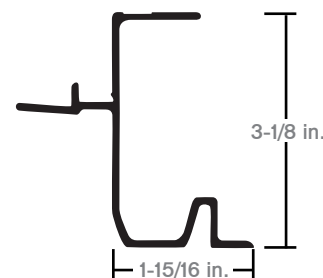
SUP002076570012



Length: 312 in.
FRP, IF, VF, SIA, SIF, SVA, SVF

Sheet & Post Top Rail

SUP002080920002



Length: 312-1/2 in.

BDY

Truck Body

SUPREME

Supreme

Rear Wall

Sheet & Post Corner Cap
SUP001036



Material: Aluminum
Location: Rear

FRP Corner Cap
SUP001037



Material: Aluminum
Location: Rear

Corner Cap
SUP116406



Material: Plastic
Location: Rear

Replacement Procedure

Laminated Hardwood Flooring

Removal

Remove all rear and side door thresholds. Remove front end reinforcements that overlay the old floor, and any cargo tracks that are in the floor. Try to back out any or all old floor screws. Cut floor between each cross member using a circular saw if unable to remove screws.

Starting at the front of the body using a sledgehammer hit down on far edge of cut boards knocking out old floor. Work towards rear of the body. Clean up old flooring from under the truck making sure to remove all pieces from chassis frame rails and long rail and tires. Using a large pipe wrench, straighten any and all cross member flanges that are bent from knocking out old flooring.

Install

Determine the size and length of new floor and cut new floor to that length. Visually inspect the floorboards and replace any defective floorboards. Caulk the bottom edge of the first end board and position into the truck with Manus-Prene 65A.

Install Continued

Position the next five center boards into the truck. Position the second end board into the truck caulking the edge of the board. Position the last board into the truck by lifting upward on last center board and matching up ship laps together. Using props or heavyweight, push downward on these two center boards till they pop into position. Check position of complete floor with the body.

Caulk lines on the floor and mark boards to be drilled out. Use a 7/32 in. drill bit for 1/4 in. floor screws. Two screws per every cross member per every board. Floor screws are to stagger the flanges. Install all screws. Mark floor for all threshold routes. Route out flooring for thresholds. Install all thresholds. Clean out inside of truck body. Tape off and hang paper around bottom rails of body for undercoating. Undercoat body new flooring. Put someone inside body and have someone else close the door to check for any daylight. Caulk and re-undercoat as needed with Manus-Prene 65A. Break off bottom of floor screws at wheel pan areas both sides of the body.

Cargo Control 311-332

Chains 312-316
 Chain Attachments. 312-313
 Binders 314
 Hooks 315
 Latch Kits 315-316
Interior. 316-321
 Beams. 316-317
 Load Bars 318
 Tie Downs 319-321
 Track 321
Straps & Winches 322-331
 Ratchet Straps 322-323
 Series A / E Logistic Straps 323
 Winch Straps. 323-326
 Accessories. 326-327
 Rubber Tarp Straps 328
 Winches 329-331
Tank Parts 332



Cargo Control

Chains

Transport Chain

	Size	Length	Grade
CRG-TC382070	3/8 in.	20 ft.	70



Binder Chain Assembly

	Size	Length	Grade	Load Limit	Additional
CMK638294	3/8 in.	20 ft.	70	6,600 lbs.	
CMKS941150	1/2 in.	30 links	80	12,000 lbs.	
CMK607062	3/8 in.		80	18,100 lbs.	Chain Only



CMCO

(CMK638294)

(CMKS941150)

(CMK607062)

Precut Chain with Grab Hooks

	Size	Length	Grade	Load Limit
KIN10034-20BX	5/16 in.	20 ft.	70	4,700 lbs.
KIN10034-25BX	5/16 in.	25 ft.	70	4,700 lbs.
KIN10038-20BX	3/8 in.	20 ft.	70	6,600 lbs.
KIN10038-25BX	3/8 in.	25 ft.	70	6,600 lbs.



Kinedyne

(KIN10034-20BX)

(KIN10034-25BX)

(KIN10038-20BX)

(KIN10038-25BX)

Chain Attachments

HammerLock Coupling Link

	Size	Grade	Working Load
CMK664062-2	5/8 in.	80	18,100 lbs.
CMK664050-2	1/2 in.	80	12,000 lbs.



(CMK664062-2)

(CMK664250)

CMCO

Replacement Pin

- CMKR664062-2
- CMKR664050-2

CRG

Chains



Chain Attachments

**Shackle Anchor
CMKM651AG**



Body Size: 5/8 in.
Screw Pin: 3/4 in.

CMCO

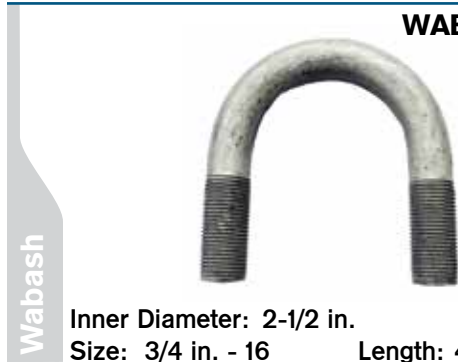
**Twin Clevis Link
WAB21700260**



Chain Size: 1/2 in.
Clevis: 5/8 in.

Wabash

**U Bolt
WABFST00180**



Inner Diameter: 2-1/2 in.
Size: 3/4 in. - 16 Length: 4 in.

Wabash

CRG
Chains

More Information

Typical Uses for Graded Chain

Grade 30: General-Purpose chain for industrial and agricultural applications including guard rails and load securement. This should not be used for overhead lifting.

Grade 43: Container securement and towing are typical uses for grade 43 chain. Do not use for overhead lifting.

Grade 70: Higher strength and heat treated, typically used in heavy duty trucking for load securement and towing.

Grade 80: The primary use is as a sling component for overhead lifting but can be used in rigging and tie-down applications.

Grade 100: 25% Stronger than grade 80, grade 100 is used as a sling component for overhead lifting. It can also be used for any application that a lower grade is used for.

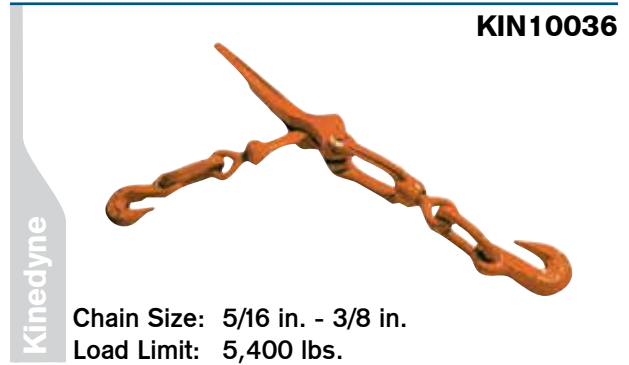


Cargo Control

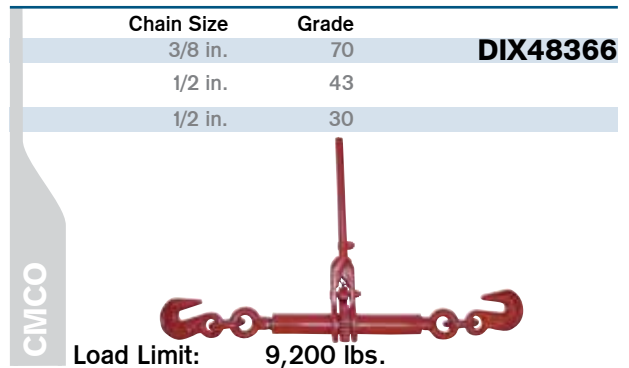
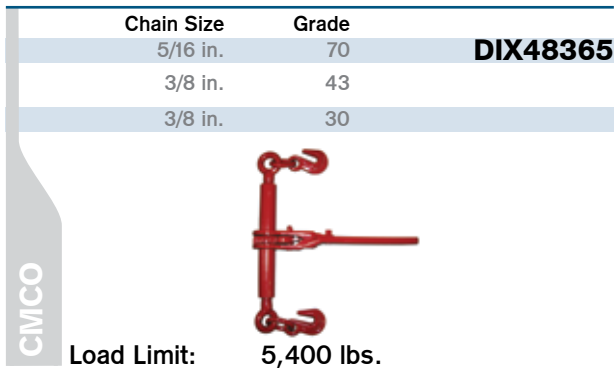
Binders

Lever Load

Chain Size	Grade	
5/16 in.	70	DIX48305
3/8 in.	43	
3/8 in.	30	



Ratchet Load



	Chain Size	Load Limit
KIN10035	5/16 in. - 3/8 in.	5,400 lbs.
KIN10035HD	3/8 in. - 1/2 in.	9,200 lbs.
KIN10035MD	5/16 in. - 3/8 in.	6,600 lbs.



Kinedyne

CRG

Chains

CIMCO
COLUMBUS MCGONNON
The Chain Control People

KINEDYNE
The Chain Control People

Chains

Hooks

Clevis Grab Hook

Grade	Chain Size	Load Limit	
70	5/16 in.	4,700 lbs.	DIX62273
70	3/8 in.	6,600 lbs.	DIX62373



CMCO

G70 Clevis

Sling Latch Hook

CMKM6507A



Color: Orange
Chain Size: 5/8 in.
Work Load Limit:
10,000 lbs.

CMCO

Accessories

Latch Kit
CMK4X1307

Sling Latch Hook

CMK657721



Color: Orange
Grade: 100
Chain Size: 5/8 in.
Work Load Limit:
22,600 lbs.

CMCO

Accessories

Latch Kit
CMK4X455329

Grab Hook

Grade	Size	Load Limit	
70	5/16 in.	4,700 lbs.	KIN10034GH
70	3/8 in.	6,600 lbs.	KIN10038GH



Kinedyne

Material: Alloy Steel Forged
Finish: Zinc Plated

CRG
Chains

Latch Kits

AWR1096609



For Crosby Safety Hook 1025893

CMCO

CMK4X1307



Zinc
Working Load: A- 5 ton, C- 3 ton

CMCO

CMK4X1309



Zinc
Working Load: A- 7 ton, C- 5 ton

CMCO

CMK4X410



Stainless Steel
Working Load: A- 5 ton, C- 3 ton

CMCO

Cargo Control

Latch Kits

CMK4X412



CMCO

Stainless Steel
Working Load: A- 7 ton, C- 5 ton

CMK4X414



CMCO

For: M414

CMK4X455329



CMCO

For: 5/8 in. CE Hook

CMK595529



CMCO

Zinc
Grade: 100 Chain: 5/8 in.

WAB21700039



Wabash

Beams

**Series E
or A Aluminum Beam**

Length	Part Number
84-39/64 in. to 95 in.	KINFE8066-1
96-13/64 in. to 102-19/64 in.	KINFE8066-3



Kinedyne

Working Load: H-2200, V-2000
Standard Extruded Aluminum

Single Row Flanged K1 Track

Length	Part Number
72 in.	KIN2051-072



Kinedyne

Used with logistic straps
& standard E beams
Alternating A slot & beam
locking slots

Accessories

Bracket End Clip
KIN2043

CRG

Interior

CMCO
COLLIERIE MANNING
COLUMBIA UNIVERSITY

WABASH

KINEDYNE
The Cargo Control People

Beams

Series F Track

Length
120 in. **KIN2005**



Kinedyne

Material: Galvanized Steel

Beams Accessories

Standard Beam Socket
KIN1845



Kinedyne

For: 2x4 or 2x6 lumber

Attaching Pin
KINFE7053-1



Kinedyne

Attaches Beam Head to Beam

Head Unit
KIN80007



Kinedyne

Replacement Head for 8000 & 8066 Beams
Replaces#: FE7955-8

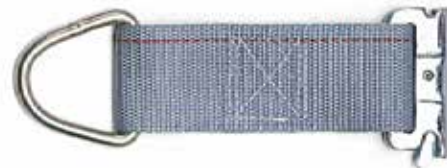
Track Fitting Ring
KINFE8264-1



Kinedyne

Load Limit: 2,000 lbs.
Size: 1 in.

Series A or E Track Fitting
KIN660001



Kinedyne

Fitting: FE8306-1
Load Limit: 1,000 lbs.
Size: 2 in. x 6 in.

Includes: O-Ring
Material: Webbing

CRG

Interior



Cargo Control

Load Bars

Saf-T-Lok Bars

	Size	Material
KIN10085	90 in. to 105 in.	Steel
KIN10088	90 in. to 105 in.	Aluminum
KIN10085XL	97 in. to 113 in.	Steel



Kinedyne

Steel Saf-T-Lok Bar KIN10081



Constructed of heavy wall galvanized steel tubing for increased strength and durability. Ideal for shoring applications that require a greater area of cargo constraint.

Square One-Piece Jack Bars

Length	
86 in. to 104 in.	KINJB101
86 in. to 114 in.	KINJB101XL



Constructed of square steel tubing
Material: Galvanized Steel

Saf-T-Lok Bolt-On Foot

Type	
Large Tube	KIN10052
Small Tube	KIN10053



Molded pivoting rubber feet grip firmly to trailer walls, yet won't scuff & will remain pliable even at low temperatures

Cargo Bar Holder KIN10062



Designed to provide storage for various styles of load bars on the exterior of the cab. Black powder coated with a neoprene cushion to reduce vibration. Lockable, Capacity: 2

CRG

Interior

Kinedyne

Kinedyne

Kinedyne

Kinedyne



Tie Downs

Lock Rite Tie Down
BBTP7160-0030-001



Transcraft

Style: J Hook

Chain Tie Down

Load Limit	Chain Size	Type	
5,000 lbs.	3/8 in.	Standard	KIN10421
6,000 lbs.	3/8 in.	Heavy Duty	KIN10423

Kinedyne



Includes: 3 in. Bracket

Tie Down Chain Kit
TSCPZE-098M



Transcraft

Material: Aluminum
Type: 4 Hole Mount

Chain Tie Down
TSCPZE-387



Transcraft

D-Ring Kit
CAR36-402



Cargotrol

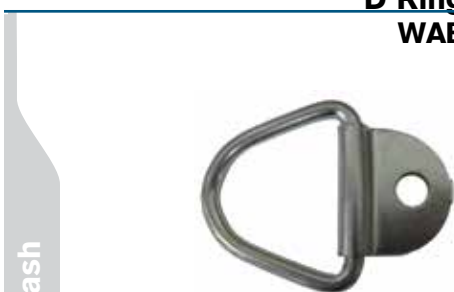
D-Ring Clip
CAR36-402-2



Cargotrol

For CAR36-402

D Ring With Clip
WABA1300003



Wabash

D-Ring Assembly
FLT982-00274



Fleet Engineers

Size: 1 in.
Type: Weld On
(982-00243 QTY 1. 982-00221 QTY 1)

CRG

Interior



Cargo Control

Tie Downs

D Ring Kit
FRUFCB8819-900



Fruehauf

Size: 5 in. x 6 in.
Type: Weld On

D-Ring Assembly
FLT982-00270



Fleet Engineers

Size: 1/2 in.
Type: Weld On

D Ring Assembly
FLT982-00046



Fleet Engineers

Work Load Limit: 6,000 lbs.
Size: 4-3/4 in. x 4-1/4 in. Ring: 3 in.

D Ring
FRUFCB8819-1



Fruehauf

Work Load Limit: 15,000 lbs.
Size: 5 in. x 6 in. Break: 47,000 lbs.

D Ring Clip
FRUFCB8820-1



Fruehauf

Size: 2-1/2 in.

Recessed D-Ring
CAR36-800



Cargotrol

For FRP Trailer

Recessed D Ring
WABA1000707



Wabash

Material: Aluminum
For: Plate Trailer

New Style D Ring Assembly
WABA1001193



Wabash

One Piece
Exterior: White

CRG

Interior

FRUEHAUF

FLEET ENGINEERS

WABASH

Int. Cargo

Tie Downs

Recess D Ring
WABA1300028



Wabash

Material: Aluminum
Size: 3-1/2 in.

Outer Pan Cover
WABA1A00180



Wabash

Color: White

Lashing Hook
FRUXCB9693-PK1



Fruehauf

Size: 2 in.
Material: Steel

Pallet Stop
PROANGLE1



Pro-Par

Track

Logistic Track
KIN2019



Kinedyne

Material: 50,000 PSI Steel
Length: 10 ft. x 3-15/32 in.
Type: E-Slot Vertical
Color: Gray

Logistic Track

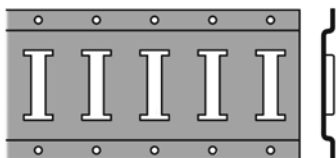
Material
Galvanized **KIN43001**
Gray **KIN43002**



Kinedyne

Material: 12 Gauge 50,000 PSI Steel
Length: 10 ft. x 5 in.
Type: E-Slot Horizontal

Logistic Track
KIN43001-624



Kinedyne

Material: 12 Gauge 50,000 PSI Steel
Color: Galvanized
Length: 52 ft. x 5 in.
Type: E-Slot Horizontal

End Cap
KIN8730



Kinedyne

Horizontal A or E Track
Material: Plastic
Length: 47/64 in. x 5-11/64 in.

CRG

Straps & Winches



Cargo Control

Straps

Ratchet

	Type	Length	Width	End	Color	Work Load Limit
ACR48672-14	Series E	16 ft.	2 in.	Series E/A	Gray	1,333 lbs.



Ancra

	Type	Length	Width	End	Color	Work Load Limit
CRG-5030FH-Y		30 ft.	2 in.	Flat Hook	Yellow	



	Type	Length	Width	End	Color	Work Load Limit
KIN512720	Wide Handle	27 ft.	2 in.	Flat Hook	Yellow	3,335 lbs.
KIN513020	Wide Handle	30 ft.	2 in.	Flat Hook	Yellow	3,335 lbs.
KIN512784	Wide Handle	27 ft.	2 in.	Wire Hook	Yellow	3,335 lbs.
KIN513084	Wide Handle	30 ft.	2 in.	Wire Hook	Yellow	3,335 lbs.
KIN573020	Large Wide Handle	30 ft.	2 in.	Flat Hook	Yellow	3,335 lbs.
KIN593021	Large Handle	30 ft.	4 in.	Flat Hook	Yellow	5,400 lbs.
KIN641201	Series E	12 ft.	2 in.	Series E/A	Gold	1,000 lbs.
KIN641601	Series E	16 ft.	2 in.	Series E/A	Gray	1,000 lbs.
KIN642001	Series E	20 ft.	2 in.	Series E/A	Blue	1,000 lbs.
KIN711587PK	Utility Strap	15 ft.	1 in.	Vinyl Coated S Hooks	Blue	400 lbs.
KIN711681-45PK	Utility Strap	16 ft.	1 in.	Wire Hook & D-Ring	Blue	835 lbs.



(KIN512720/
KIN513020)



(KIN512784/
KIN513084)



(KIN573020)



(KIN593021)



(KIN641201)



(KIN641601)



(KIN642001)



(KIN711587PK)



(KIN711681-45PK)

Kinedyne

CRG

Straps & Winches



Straps

Ratchet

	Type	Length	Width	End	Color
PROCC-STRAP8	Wide Handle	30 ft.	2 in.	Flat Hook	Yellow
PROCC-STRAP9	Wide Handle	27 ft.	2 in.	Flat Hook	Yellow
PROCC-STRAP10	Wide Handle	27 ft.	2 in.	Wire Hook	Yellow
PROCC-STRAP4	Series E	12 ft.	2 in.	Series E/A	Yellow
PROCC-STRAP3	Series E	16 ft.	2 in.	Series E/A	Yellow



(PROCC-STRAP8)



(PROCC-STRAP9)



(PROCC-STRAP10)



(PROCC-STRAP4)



(PROCC-STRAP3)

Pro-Par

Series A or E Logistic

	Type	Length	Width	End	Color	Work Load Limit
KIN651201	Cam Buckle	12 ft.	2 in.	Series E/A	Gold	835 lbs.
KIN651601	Cam Buckle	16 ft.	2 in.	Series E/A	Black	835 lbs.
KIN652001	Cam Buckle	20 ft.	2 in.	Series E/A	Blue	835 lbs.



(KIN651601)



(KIN651201)



(KIN652001)

Kinedyne

	Type	Length	Width	End	Color
PROCC-STRAP6	Cam Buckle	16 ft.	2 in.	Series E/A	Yellow
PROCC-STRAP7	Cam Buckle	12 ft.	2 in.	Series E/A	Yellow
PROCC-STRAP12	Hook	16 ft.	2 in.		Yellow



(PROCC-STRAP6)



(PROCC-STRAP7)



(PROCC-STRAP12)

Pro-Par

Winch

	Length	Width	End	Color	Work Load Limit
ACR43795-10-30	30 ft.	4 in.	Flat Hook	Yellow	5,400 lbs.
ACR43795-15-30	30 ft.	4 in.	Chain Anchor	Yellow	3,333 lbs.



(ACR43795-10-30)



(ACR43795-15-30)

Ankra

CRG

Straps & Winches



Cargo Control

Straps

Winch

	Length	Width	End	Color	Work Load Limit
KIN422721	27 ft.	4 in.	Flat Hook	Yellow	5,400 lbs.
KIN423021	30 ft.	4 in.	Flat Hook	Yellow	5,400 lbs.
KIN423021STENWUSA	30 ft.	4 in.	Flat Hook	Yellow	5,400 lbs.
KIN423521	35 ft.	4 in.	Flat Hook	Yellow	5,400 lbs.
KIN424021	40 ft.	4 in.	Flat Hook	Yellow	5,400 lbs.
KIN423010	30 ft.	4 in.	Delta Ring	Yellow	5,400 lbs.
KIN423021E	30 ft.	4 in.	Flat Hook	Blue	5,400 lbs.
KIN423030	30 ft.	4 in.	Sewn Loop	Yellow	5,000 lbs.
KIN423040	30 ft.	4 in.	Chain Anchor	Yellow	5,400 lbs.
KIN4630D3	30 ft.	4 in.	Flat Hook	Gray	5,400 lbs.



Kinedyne

Application Chart

Tie-Down Calculation Chart

Strap Size	Work Load Limit	Load									
		5,000 lbs.	10,000 lbs.	15,000 lbs.	20,000 lbs.	25,000 lbs.	30,000 lbs.	35,000 lbs.	40,000 lbs.	45,000 lbs.	50,000 lbs.
2 in.	3,000 lbs.	1	2	3	4	5	5	6	7	8	9
	3,335 lbs.	1	2	3	3	4	5	6	6	7	8
3 in.	4,000 lbs.	1	2	2	3	4	4	5	5	6	7
	5,000 lbs.	1	2	2	2	3	3	4	4	5	5
4 in.	5,000 lbs.	1	2	2	2	3	3	4	4	5	5
3 in. or 4 in.	5,400 lbs.	1	1	2	2	3	3	4	4	5	5

$$\frac{\text{Working Load Limit}}{(\text{Load} \div 2)} = \text{Number of Straps}$$

(Round Up Use Whole Numbers)

Working Load Limit:
Tie downs used to secure an article against movement in any direction, must be at least 1/2 the weight of the article in working load limit.

Additional tie-down assemblies may be required to meet other industry, local, state and federal regulations. **Warning: Do not exceed Working Load Limits.**

CRG

Straps & Winches



NEW PRODUCTS

KINEDYNE
The Cargo Control *People!*[™]

50
CELEBRATING 50 YEARS
OF CARGO CONTROL
EXCELLENCE

Good, Better, Best, Superior to the Rest

Now you have Three Levels of Strength and Durability to Choose From!



The Kinedyne Gold Standard



The New K-FORCE[™]



The Improved RHINO MAX[™]

Engineered by Kinedyne	✘	✘	✘
Built by Kinedyne	✘	✘	✘
Marked and Rated in accordance to North American Regulations	✘	✘	✘
Engineered Sew Pattern	✘	✘	✘
Working Load Limit Stenciled on the strap	✘	✘	✘
Tyvek Working Load Limit Tag	✘	✘	✘
WSTDA Webbing Capacity Indicator	✘	✘	✘
6670 Lbs. Working Load Limit - 4" Winch Straps		✘	✘
4000 Lbs. Working Load Limit - 2" Ratchet Straps		✘	✘
1500 Lbs. Working Load Limit - Logistic Straps		✘	
Manufactured using Heavy Duty Fittings		✘	✘
Manufactured using Heavy Duty Webbing		✘	✘
Manufactured Using anti-abrasion Rhino-skin coating			✘



Cargo Control

Straps

Winch

	Length	Width	End	Color	Work Load Limit
PROCC-STRAP1	30 ft.	4 in.	Flat Hook	Yellow	
PROCC-STRAP2	27 ft.	4 in.	Flat Hook	Yellow	



Pro-Par

CRG

Straps & Winches

Strap Accessories

Corner Protector KIN1863



Kinedyne

Material: Steel
For Use With: 1-3/4 in. - 2 in. Web Cable or Chain

Corner Protector CRG-SCP



Material: Steel

Corner Protector KIN37025



Kinedyne

Material: Plastic
For Use With: 2 in. - 4 in. Web

Corner Protector CRG-CPP24BLUE



Material: Plastic
Color: Blue

Corner Protector KIN37026



Kinedyne

Material: Plastic, 12 in.
For Use With: 2 in. - 4 in. Web / Chain

Vee Boards® KINVB13



Kinedyne

Size: 8 in. x 8 in. x 11 in.
Slots: (2) 4-1/2 in.



Strap Accessories

Web Protector
KIN37024



Kinedyne

Size: 4 in.
Material: Rubber

Web Protector
CRG-RCP4



Color: Black
Material: Rubber

Standard Handle Ratchet
KIN802



Kinedyne

Work Load Limit: 3,670 lbs.
2 in. Handle

Wide Handle Ratchet Buckles
KIN804



Kinedyne

Work Load Limit: 3,670 lbs.
2 in. Wide Handle

Standard Strap Winder
KIN10094



Kinedyne

All steel construction with zinc plating. Easily clamp to trailer side rail.
Compatible with 2 in. - 4 in. Straps

Premium Strap Winder
KIN10091



Kinedyne

All steel construction with zinc plating. Easily fitted to trailer side rail and can be wound in either direction.
Compatible with 2 in. - 4 in. Straps

Kwik Winder
KIN10092



Kinedyne

Allows drivers to wind straps onto the mandrel of the winch in a fraction of the time it takes to do it by hand.

StrapPak
KIN15602



Kinedyne

Compatible with 2 in. ratchet strap

CRG

Straps & Winches



Cargo Control

Rubber Tarp Straps

	Description	Material	Type	Length
RUB80154	Economy	EPDM	Silver Line	15 in.
RUB80214	Economy	EPDM	Silver Line	21 in.
RUB80314	Economy	EPDM	Silver Line	31 in.
RUB197940	Heavy Duty	EPDM	Gold Line	10 in.
RUB197840	Heavy Duty	EPDM	Gold Line	15 in.
RUB196940	Heavy Duty	EPDM	Gold Line	21 in.
RUB197740	Heavy Duty	EPDM	Gold Line	31 in.
RUB738940	Heavy Duty	EPDM	Gold Line	41 in.



Economy

	Description	Type	Length
PROTS10NR	Natural Rubber	Extreme Cold	10 in.
PROTS15NR	Natural Rubber	Extreme Cold	15 in.
PROTS21NR	Natural Rubber	Extreme Cold	21 in.
PROTS31NR	Natural Rubber	Extreme Cold	31 in.
PROTS41NR	Natural Rubber	Extreme Cold	41 in.
PROTS10EPDM	EPDM Rubber	Heat Resistance	10 in.
PROTS15EPDM	EPDM Rubber	Heat Resistance	15 in.
PROTS21EPDM	EPDM Rubber	Heat Resistance	21 in.
PROTS31EPDM	EPDM Rubber	Heat Resistance	31 in.
PROTS41EPDM	EPDM Rubber	Heat Resistance	41 in.



Pro-Par

Crimped Trap Strap CRG-RT21CRB



Length: 21 in. Qty: Box of 50
Material: Natural Rubber

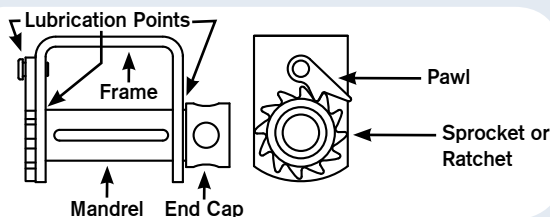
S-Hook RUB2.5



Size: 2-1/2 in.

Tech Tip

Identification & Maintenance



Maintenance

Dirt, mud, road salt and ice should be cleaned from winches. Regular lubrication ensures that the winch pawl will drop freely into the sprocket teeth and sprocket will rotate freely.

Damaged or non-operation winches need to be replaced. Portable winches should be cleaned & stored in a dry location.

CRG

Straps & Winches



Winches

	Type	Overall Length	Spool Width	Frame Height	Frame Depth
ACR49207-137	Slider Double L Track	7-1/2 in.	4-19/32 in.	6 in.	4 in.
ACR49706-10	Wilson Style	7-7/8 in.	4-7/8 in.	6-1/2 in.	4 in.
ACR49716-10	Standard Outward Off-set	8-27/64 in.	4-23/32 in.	4-5/8 in.	3-5/32 in.
ACR49246-10-BP	Standard / Sliding				



(ACR49207-137)



(ACR49706-10)



(ACR49716-10)



(ACR49246-10-BP)

Ancra

Ratcheting Cap ACR49723-10



Ancra

Converts any winch to a ratcheting winch. Simple bolt-on design.

SilverCap® OverDrive™

STD Winch LUF7088155



Lufkin

For Lufkin Only

	Type	Overall Length	Inside Frame	Overall Height	Frame Width
KIN1820P2	Standard Portable / Clamp-On	7-3/4 in.	4-7/8 in.	5-1/2 in.	3-1/2 in.
KIN1820	Standard / Weld-On	7-21/32 in.	4-7/8 in.	5-33/64 in.	3-35/64 in.
KIN3820	Standard / Sliding	7-21/32 in.	4-7/8 in.	5-63/64 in.	3-15/16 in.
KIN7820P2	Low Profile Portable / Clamp-On	7-3/4 in.	4-7/8 in.	4-3/8 in.	4 in.
KIN7820	Low Profile / Weld-On	7-11/16 in.	4-7/8 in.	4-21/64 in.	3-15/16 in.
KIN5820	Storable / Sliding	7-11/16 in.	4-7/8 in.	7-23/32 in.	3-15/16 in.
KIN1020	Standard Double "L" / Sliding	7-23/32 in.	4-7/8 in.	5-7/8 in.	3-15/16 in.
KIN1020LP	Low Profile Double "L" / Sliding	7-23/32 in.	4-7/8 in.	5-1/4 in.	3-15/16 in.
KIN1022	Double "L" Sliding	7-23/32 in.	4-7/8 in.	5-1/4 in.	3-15/16 in.
KIN13008	Standard / Weld-On	7-3/4 in.	4-7/8 in.	6-1/2 in.	3-35/64 in.



(KIN1820P2)



(KIN1820)



(KIN3820)



(KIN7820P2)



(KIN7820)



(KIN5820)



(KIN1020)



(KIN1020LP)



(KIN1022)



(KIN13008)

Kinedyne

CRG

Straps & Winches

LUFKIN

KINEDYNE

Cargo Control

Winches

	Type	Overall Length	Inside Frame	Overall Height	Frame Width
PROCC-WINCH1	Standard / Sliding	7-21/32 in.	4-7/8 in.	5-63/64 in.	3-15/16 in.
PROCC-WINCH2	Standard Double "L" / Sliding	7-23/32 in.	4-7/8 in.	5-7/8 in.	3-15/16 in.
PROCC-WINCH3	High Profile / Sliding	7-11/16 in.	4-7/8 in.	7-23/32 in.	3-15/16 in.
PROCC-WINCH4	Low Profile / Weld On	7-11/16 in.	4-7/8 in.	4-21/64 in.	3-15/16 in.
PROCC-WINCH5	Standard / Weld On	7-21/32 in.	4-7/8 in.	5-33/64 in.	3-35/64 in.
PROCC-WINCH6	Standard Portable	7-3/4 in.	4-7/8 in.	5-1/2 in.	3-1/2 in.
PROCC-WINCH7	Low Profile Portable	7-3/4 in.	4-7/8 in.	4-3/8 in.	4 in.



(PROCC-WINCH1)



(PROCC-WINCH2)



(PROCC-WINCH3)



(PROCC-WINCH4)

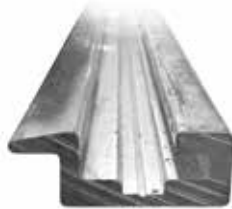


(PROCC-WINCH5)

Pro-Par

Winch Tracks

BBTP7160-0137-004



Material: Aluminum

Size	Material	
1.69 in. x 4.65 in.	Steel	KIN3606
1.85 in. x 4.93 in.	Aluminum	KIN3607



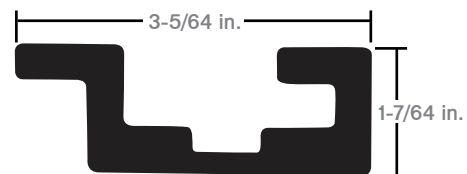
Length: 6 ft.
Compatible Winches: 3820 & 5820

Double "L"
KIN3608



Material: Aluminum
Size: 10 ft. x 1 in. x 3 in.
Compatible Winch: 1020

Length	
45-37/64 ft.	TSCPZC-191
50-37/64 ft.	TSCPZC-192



Material: Aluminum

More Information

www.MyAuroraPlus.com

Need more information on a particular trailer? Log into www.MyAuroraPlus.com for Aurora's Graphical Bill of Material (GBOM). Easily point and click through visual elements of a trailer to drill down to an individual trailer component.

CRG

Straps & Winches



Winch Bars

	Coating	Type	Length	Additional
KIN37030	Painted Black	Standard Bar	35 in.	
KIN37031	Chrome Plated	Standard Bar	35 in.	
KIN10032	Painted Black	Combination Bar, Box Type End	39-1/2 in.	Chain Binder Tightener
KIN37033	Chrome Plated	Combination Bar, Wide Mouth	32 in.	Chain Binder Tightener
KIN10033	Chrome Plated	Combination Bar, Box Type End	39-1/2 in.	Chain Binder Tightener



Knurled non-slip handle & a tapered, carbon-steel nose piece for strength & easy operation.

Kinedyne

	Coating	Type	Length
CRG-WB2	Painted Black	Standard Bar	35 in.



CRG

Straps & Winches

GROUNDBREAKING TARP SYSTEMS

and accessories

WE ARE THE GLOBAL LEADER IN THE MANUFACTURING OF TARP SYSTEMS AND TRAILER ACCESSORIES

At Aero, we take pride in the research and development of each of our products. Our mission is to provide you with the most efficient and effective solutions, no matter your application.

AeroBox

AeroForce F2B
front-to-back

AeroForce S2S
side-to-side

AERO

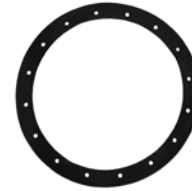
aeroindustries.com
888.535.9545



Tank Parts

Gaskets

	Type	Inner Diameter	Additional
EVR30GSKBU	Buna	3 in.	
FRUTKA9699	Envelope	30 in.	For Aerator Pad
FRUTKA9700	Envelope	19-5/8 in.	Pad
FRUTKA9889	Envelope	19 in.	For Aerator Pad
FRUVKA1650	Square Cork-Buna	3 in.	4 hole
FRUVKA5927	Dome Lid	20 in.	Pre-1993 Fruehauf
FRUVKA9234	Neoprene	19 in.	Outer Diameter 19-5/8 in.
KNA3395	Buna		



(FRUTKA9700)

Pressure Gauge

	Dial	Fill	PSI
BUYHPGS100	2-1/2	Silicone	
FRUTKA5593	2-1/2	Liquid	60
FRUVKA9867		Liquid	0-30
FRUVKA6629		Dry	0-30
FRUVKA6750		Dry	0-30



(FRUTKA5593)



(FRUVKA6750)

Static Ball Ground FRUTKG2519-1



Washer FRUTKG2797-1



Material: Rubber
For Fender Mount

J-Bolt

Material
Cadmium Plated **FRUZKA9836**
Stainless Steel **FRUZKA9836-A**



(FRUZKA9836)

Size: 3/8 in. - 18 x 2 in.

Wear Plate FRUTKA8242-A



Material: Stainless Steel
Pre-1993 Fruehauf Manhole

CRG

Tank Parts

FRUEHAUF

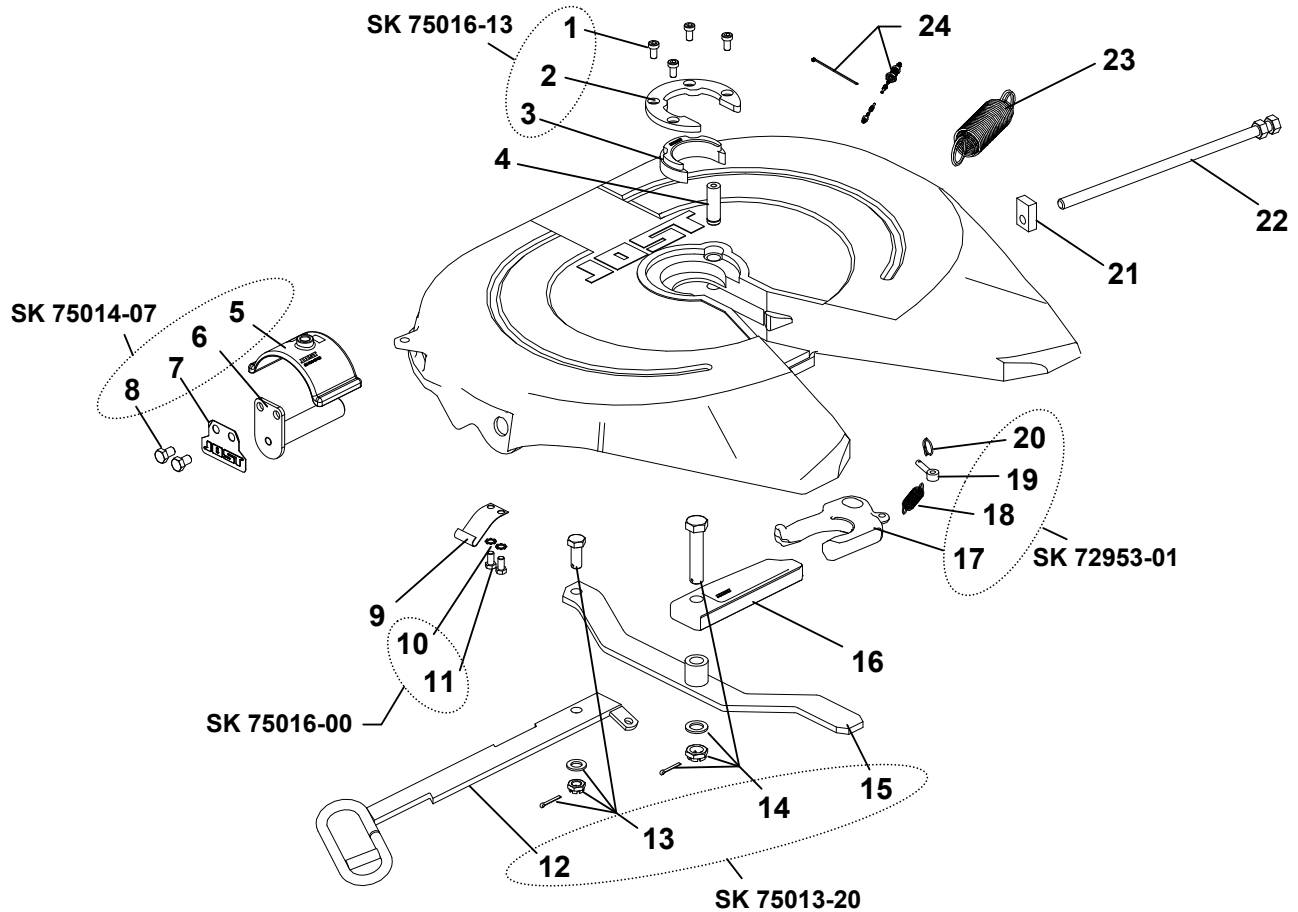
Couplers & Hitches 333-360

Fifth Wheels	334-350
Jost	334-339
SAF Holland	340-345
Upper Couplers	351-353
Kingpins	352-353
Gauges	353
Locks	353
Slick Discs	353
Drawbar Eyes	354-356
Pintle Hooks	357-359
Hinge Assemblies	360



Couplers & Hitches

Jost - JSK37F Series



CPR

Fifth Wheels

JOST

Item	Part Number	Description	Item	Part Number	Description
1	JOSSK73121-55	Cushion Ring Bolt	15	JOSSK3105-140	Lever with Busing
2	JOSSK3105-93	Retainer	16	JOSSK3205-06	Locking Bar
3	JOSSK3105-92	Cushion Ring Insert	17	JOSSK1489LZ	Lock Jaw
4	JOSSK72106-67	Lock Jaw Pivot Pin	18	JOSSK847	Lock Jaw Spring
5	JOSSK79048-02	Collar	19	JOSSK2106-69	Eye Bolt
6	JOSSK79011-12	Bracket Pin - 1-1/4 in.	20	JOSSK2106-70	Ring
7	JOSSK73104-47	Tab Washer	21	JOSSK73205-07	Guide Piece
8	JOSSK70202-15	1/2-13 x 3/4 lg. Hex Bolt	22	SK79010-07 ^	Adjusting Screw
9	JOSSK70993-00	Plate Spring	23	JOSSK3105-20	Double Tension Spring
10	JOSSK70301-00	External Tooth Lock Washer	24	JOSSK3108-02	Lubricating Kit
11	SK70202-09 ^	Hex Bolt			
12	JOSSK73105-15	Release Handle			
13	JOSSK71513	Pivot Bolt Assembly			
14	JOSSK73221-01	Locking Bar Bolt Assembly			

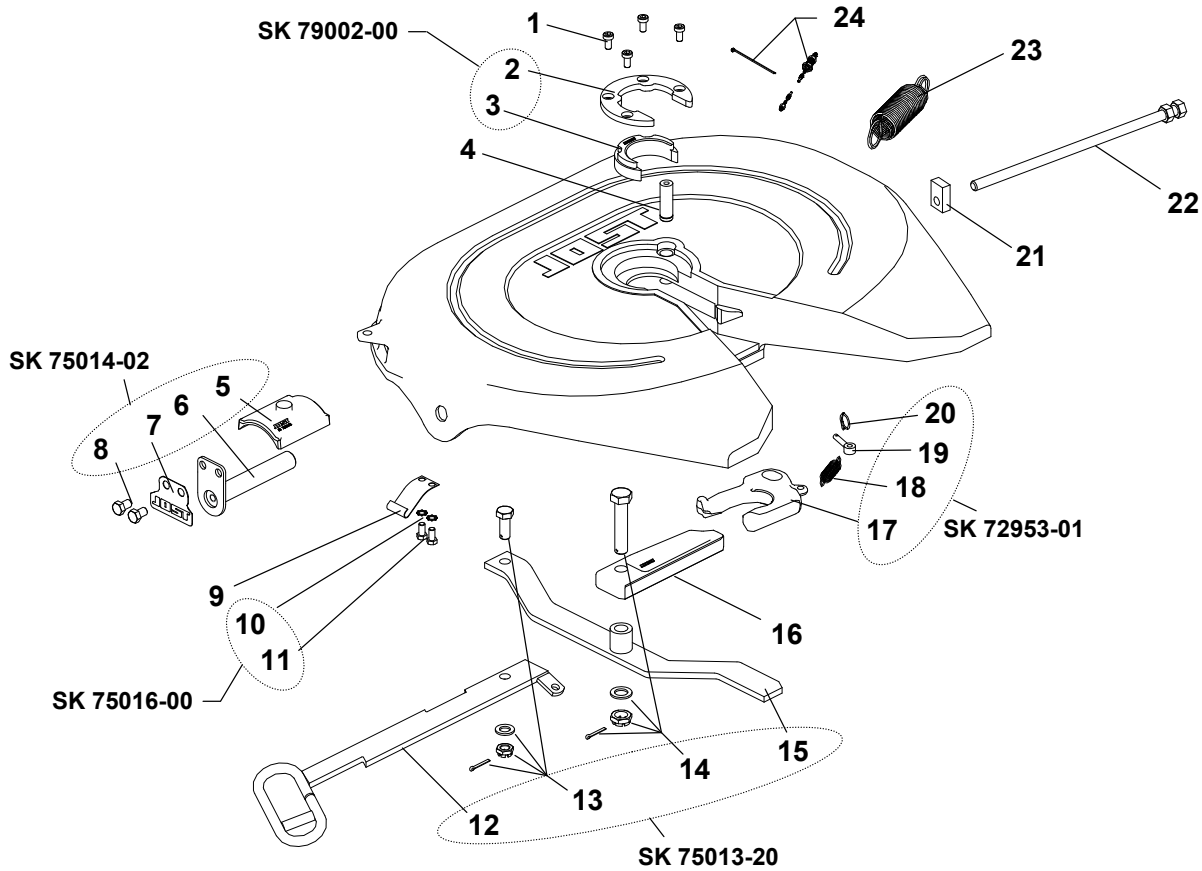
^Part included for reference only.

Jost

Kits

Major Rebuild Kit	JOSSK75013-14
Cushion & Lock Jaw	JOSSK73221-50Z

Jost - JSK37H Series



Item	Part Number	Description
1	JOSSK73121-55	Cushion Ring Bolt
2	JOSSK3105-93	Retainer
3	JOSSK3105-92	Cushion Ring Insert
4	JOSSK72106-67	Lock Jaw Pivot Pin
5	JOSSK73105-95	Collar
6	JOSSK73104-05	Bracket Pin 01-1/4 in.
7	JOSSK73104-47	Tab Washer
8	JOSSK73121-28B	1/2-13 x 3/4 Ig. Hex Bolt
9	JOSSK70993-00	Plate Spring
10	JOSSK70301-00	External Tooth Lock Washer

Item	Part Number	Description
11	SK70202-09[^]	Hex Bolt
12	JOSSK73105-15	Release Handle
13	JOSSK71513	Pivot Bolt Assembly
14	JOSSK73221-01	Locking Bar Bolt Assembly
15	JOSSK3105-140	Lever with Bushing
16	JOSSK3205-06	Locking Bar
17	JOSSK1489LZ	Lock Jaw
18	JOSSK847	Lock Jaw Spring
19	JOSSK2106-69	Eye Bolt
20	JOSSK2106-70	Ring
21	JOSSK73205-07	Guide Piece
22	JOSSK3105-151	Adjusting Screw
23	JOSSK3105-20	Double Tension Spring
24	JOSSK3108-02	Lubricating Kit

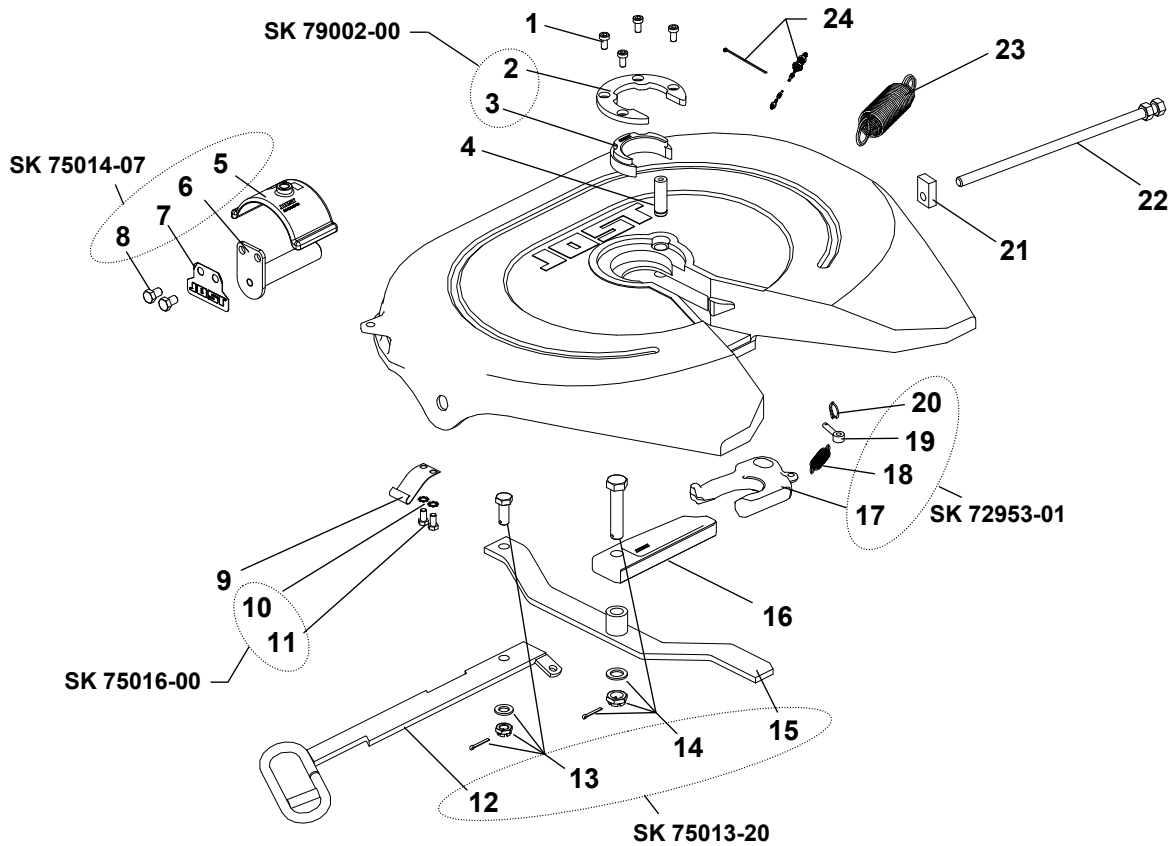
Kits
Complete Rebuild Kit **JOSSK73221-52Z**
Cushion & Lock Jaw **JOSSK73221-50Z**

[^]Part included for reference only.

Jost

Couplers & Hitches

Jost - JSK37K Series



CPR

Fifth Wheels

JOST

Item	Part Number	Description	Item	Part Number	Description
1	JOSSK73121-55	Cushion Ring Bolt	15	JOSSK3105-140	Lever with Bushing
2	JOSSK3105-93	Retainer	16	JOSSK3205-06	Locking Bar
3	JOSSK3105-92	Cushion Ring Insert	17	JOSSK1489LZ	Lock Jaw
4	JOSSK72106-67	Lock Jaw Pivot Pin	18	JOSSK847	Lock Jaw Spring
5	JOSSK79048-02	Collar	19	JOSSK2106-69	Eye Bolt
6	JOSSK79011-12	Bracket Pin 01-1/4 in.	20	JOSSK2106-70	Ring
7	JOSSK73104-47	Tab Washer	21	JOSSK73205-07	Guide Piece
8	JOSSK70202-15	1/2-13 x 3/4 Ig. Hex Bolt	22	SK79010-07 ^	Adjusting Screw
9	JOSSK70993-00	Plate Spring	23	JOSSK3105-20	Double Tension Spring
10	JOSSK70301-00	External Tooth Lock Washer	24	JOSSK3108-02	Lubricating Kit
11	SK70202-09 ^	Hex Bolt			
12	JOSSK73105-15	Release Handle			
13	JOSSK71513	Pivot Bolt Assembly			
14	JOSSK73221-01	Locking Bar Bolt Assembly			

^Part included for reference only.

Jost

Kits

Complete Rebuild Kit **JOSSK75013-14**
 Cushion & Lock Jaw **JOSSK73221-50Z**

JOST

Making Change Easy

JOST International offers topplates that replace competitive models.



Making The Change

A couple hours is a long time for a rebuild, a JOST replacement wheel will save you time and money.

Instead of rebuilding your old worn out wheel, replace it with a brand new JOST.

Warranty

Don't worry about the warranty, receive a new five year warranty with the JOST 5th wheel.

JOST will also warrant any unused coverage remaining on your current bracket.

JSK37HSL

Replaces "H" Models | Replaces Kits

FW8	FW2000	FW3501	RK17A-L
FW17	FW2500	FWAL	RK351A-L
FW35	FW2535		RK-AL-A-L

JSK37HSL will increase 5th wheel height by 3/4".

JSK37FSL

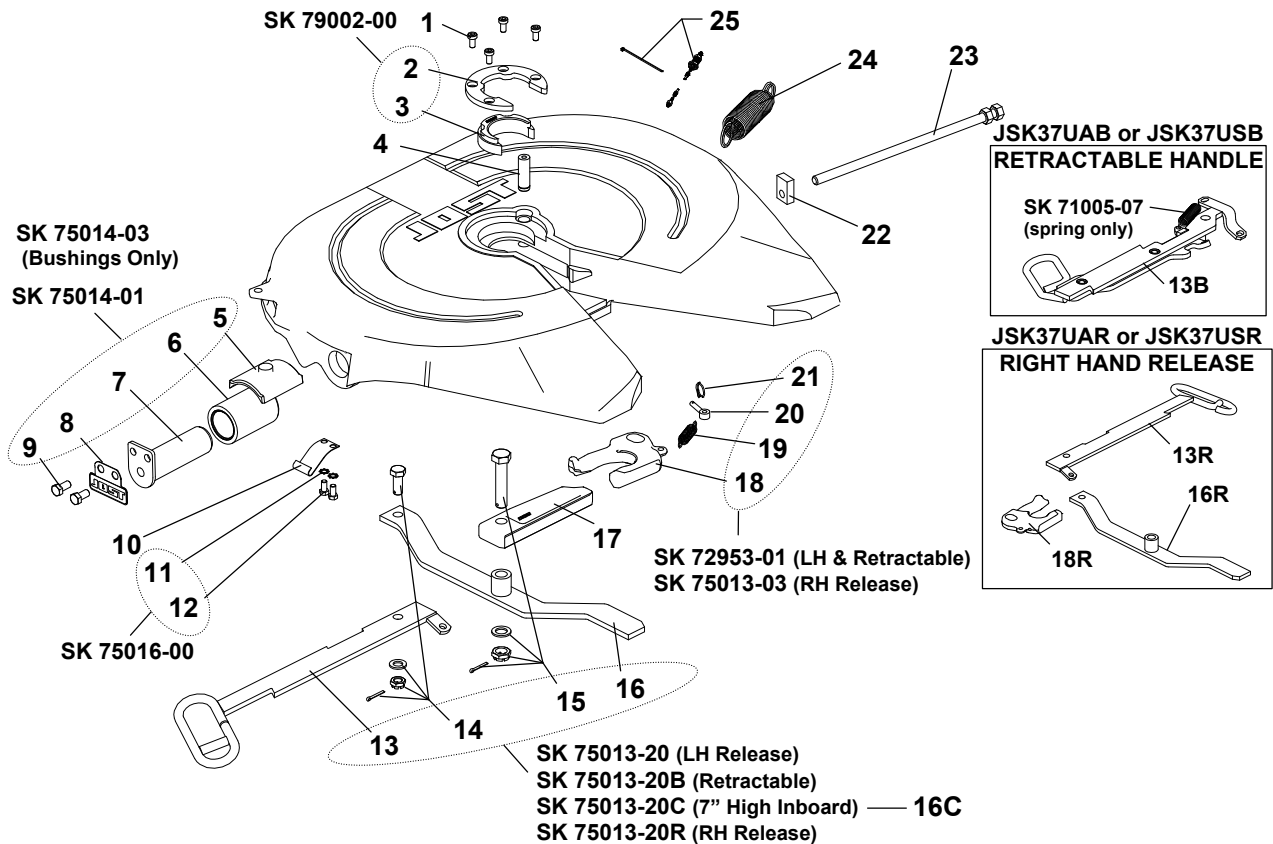
Replaces "F" Models* | Replaces Kits

SL5000	SL6000	SL7000	KIT-RPR-5092L
SL5092	SLH5092		KIT-RPR-7000

JSK37FSL will increase 5th wheel height by 5/16".
*Is not compatible with the 7" LWS Series Sliders.

Couplers & Hitches

Jost - JSK37U Series



CPR

Fifth Wheels

JOST

Item	Part Number	Description	Item	Part Number	Description
1	JOSSK73121-55	Cushion Ring Bolt	16	JOSSK3105-140	LH Lever with Bushing
2	JOSSK3105-93	Retainer	16C	SK79003-00[^]	LH Lever - 7 in. High Inboard
3	JOSSK3105-92	Cushion Ring Insert	16R	JOSSK3105-18	RH Lever with Bushing
4	JOSSK72106-67	Lock Jaw Pivot Pin	17	JOSSK3205-06	Locking Bar
5	JOSSK3105-95	Collar	18	JOSSK1489LZ	LH Lock Jaw
6	JOSSK2905-94	Bushing	18R	JOSSK1489Z	RH Lock Jaw
7	JOSSK79011-03	Bracket Pin - 050mm	19	JOSSK847	Lock Jaw Spring
8	JOSSK73104-47	Tab Washer	20	JOSSK2106-69	Eye Bolt
9	JOSSK70202-15	1/2-13 x 3/4 Ig. Hex Bolt	21	JOSSK2106-70	Ring
10	JOSSK70993-00	Plate Spring	22	JOSSK73205-07	Guide Piece
11	JOSSK70301-00	External Tooth Lock Washer	23	JOSSK3105-151	Adjusting Screw w/ Hex Nut
12	SK70202-09[^]	Hex Bolt	24	JOSSK3105-20	Double Tension Spring
13	JOSSK73105-15	LH Release Handle	25	JOSSK3108-02	Lubricating Kit
13B	JOSSK75016-04	Retractable Handle w/ Spring			
13R	JOSSK79009-27	RH Release Handle			
14	JOSSK71513	Pivot Bolt Assembly			
15	JOSSK73221-01	Locking Bar Bolt Assembly			

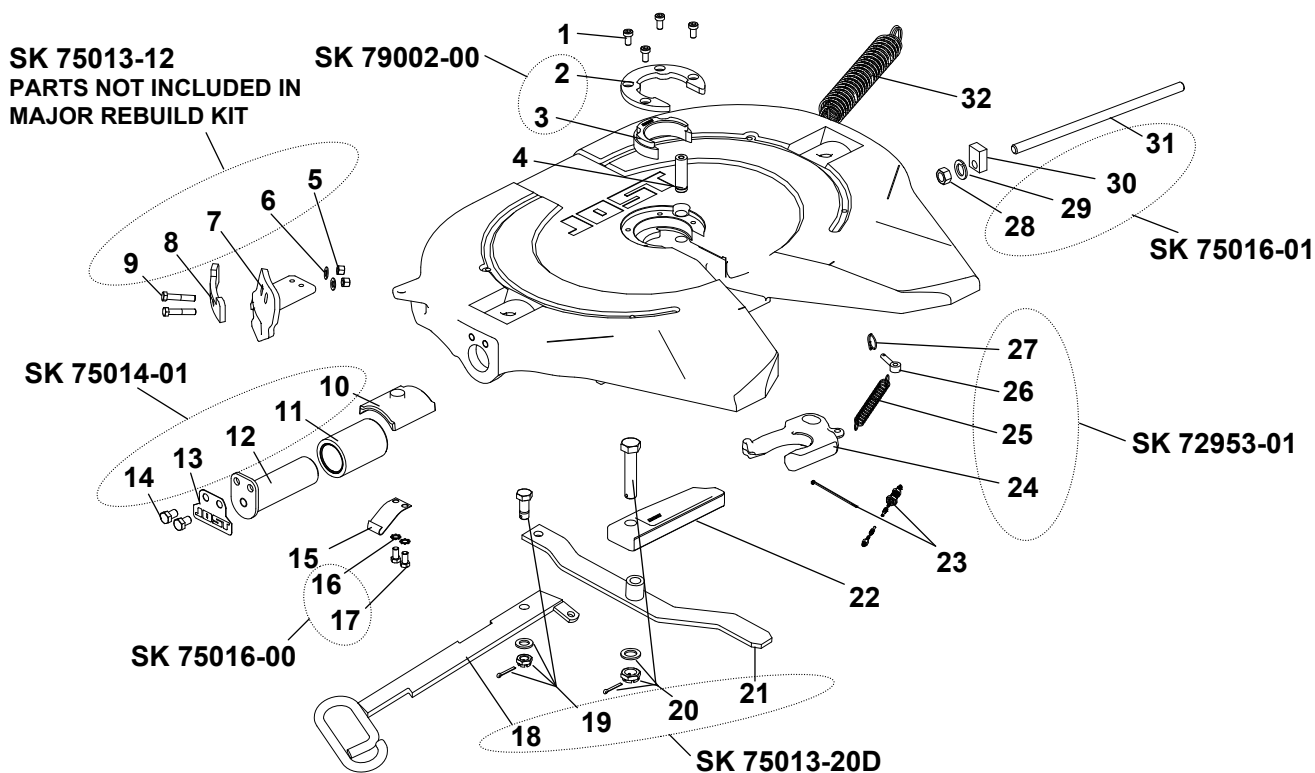
[^]Part included for reference only.

Jost

Kits

Cushion & Lock Jaw
 (UAB, USB, UAL, USL) **JOSSK73221-50Z**
 (UAR, USR) **JOSSK75013-02**

Jost - JSK37010 Series



Item	Part Number	Description	Item	Part Number	Description
1	JOSSK73121-55	Cushion Ring Bolt	14	JOSSK70202-15	1/2-13 x 3/4 Ig. Hex Bolt
2	JOSSK3105-93	Retainer	15	JOSSK70993-01	Drop Handle Plate Spring
3	JOSSK3105-92	Cushion Ring Insert	16	JOSSK70301-00	External Tooth Lock Washer
4	JOSSK72106-67	Lock Jaw Pivot Pin	17	JOSSK73121-28B	3/8-16 x 3/4 Ig. Hex Bolt
5	JOSSK70401-02	3/8-16 Lock Nut	18	JOSSK73105-15	Release Handle
6	JOSSK70302-05	Flat Washer	19	JOSSK71513	Pivot Bolt Assembly
7	JOSSK79024-02	Drop Handle Guide	20	JOSSK73221-01	Locking Bar Bolt Assembly
8	JOSSK79024-01	Cover Plate	21	JOSSK79024-03	Drop Handle Release Arm
9	SK70202-14[^]	3/8-16 x 2 in. Ig. Hex Bolt	22	JOSSK3205-06	Locking Bar
10	JOSSK3105-95	Collar	23	JOSSK3108-02	Lubricating Kit
11	JOSSK2905-94	Bushing	24	JOSSK1489LZ	Lock Jaw
12	JOSSK79011-03	Bracket Pin	25	JOSSK847	Lock Jaw Spring
13	JOSSK73104-47	Tab Washer	26	JOSSK2106-69	Eye Bolt
			27	JOSSK2106-70	Ring
			28	NT0000201[^]	Jam Nut
			29	SK70303-63[^]	Lock Washer
			30	JOSSK73205-07	Guide Piece
			31	JOSSK79010-02	Internal Adjusting Screw
			32	JOSSK3105-20	Double Tension Spring

[^]Part included for reference only.

Kits

Cushion & Lock Jaw **JOSSK73221-50Z**

Jost

CPR

Fifth Wheels

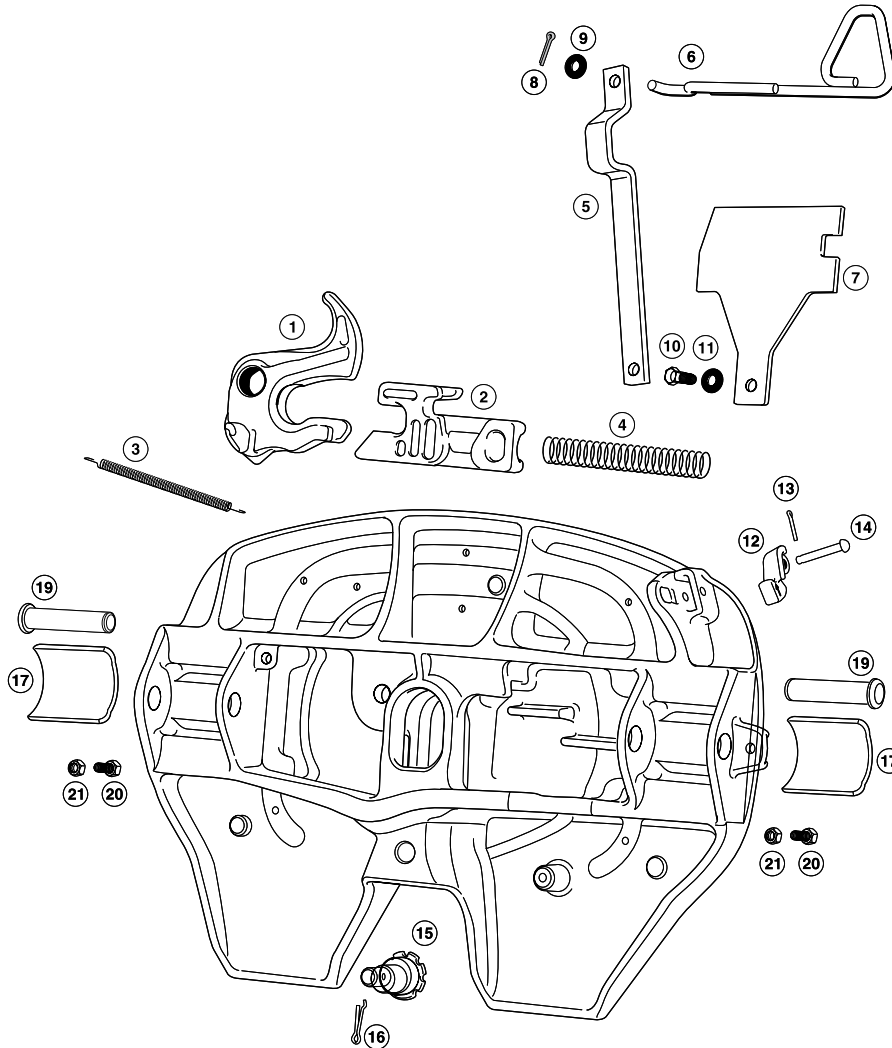
JOST

Couplers & Hitches

SAF-Holland - FWS1 Series

CPR

Fifth Wheels



Item	Part Number	Description
1	HOLXA-4109939	Jaw
2	HOL4109931	Lock
3	HOL1200101	Jaw Return Spring
4	HOL1200706	Lock Spring
5	HOL4100373	Lever Bar (Manual Pull)
6	HOLXA-10990	Handle (Manual Pull)
7	HOLXA-10969	Cover Plate
8	HOLXB-11091	Cotter Pin 3/16 in. x 1-1/4 in.
9	HOLXB-T-49	Washer 1/2 in.
10	HOLXB-11127	Hex Head Shoulder Bolt
11	HOLXB-T-199	Washer 5/8 in.
12	HOLXD-11121	Lock Indicator
13	HOL84261	Cotter Pin 1/8 in. x 1-1/4 in.
14	HOLXB-10996	Indicator Pin

Item	Part Number	Description
15	HOLXA-10971	Eccentric Jaw Pin
16	HOL9900170	Clinch Pin 3/16 in. x 1-1/4 in.
17	HOLRK-PKT-2	Pocket Insert (Qty 2)
18	HOL9900181	Roll Pin 3/16 in. x 1.15 in.
19	HOLXE-06356	Bracket Pin
20	HOLXB-C-95	HHCS 1/2 in. - 20 x 1-1/4 in.
21	HOLXB-T-69-A	Locknut 1/2 in. - 20
22	HOLXA-10999	Air Cylinder
23	XB-11027[^]	HHCS 3/8 in. - 16 x 1/2 in.

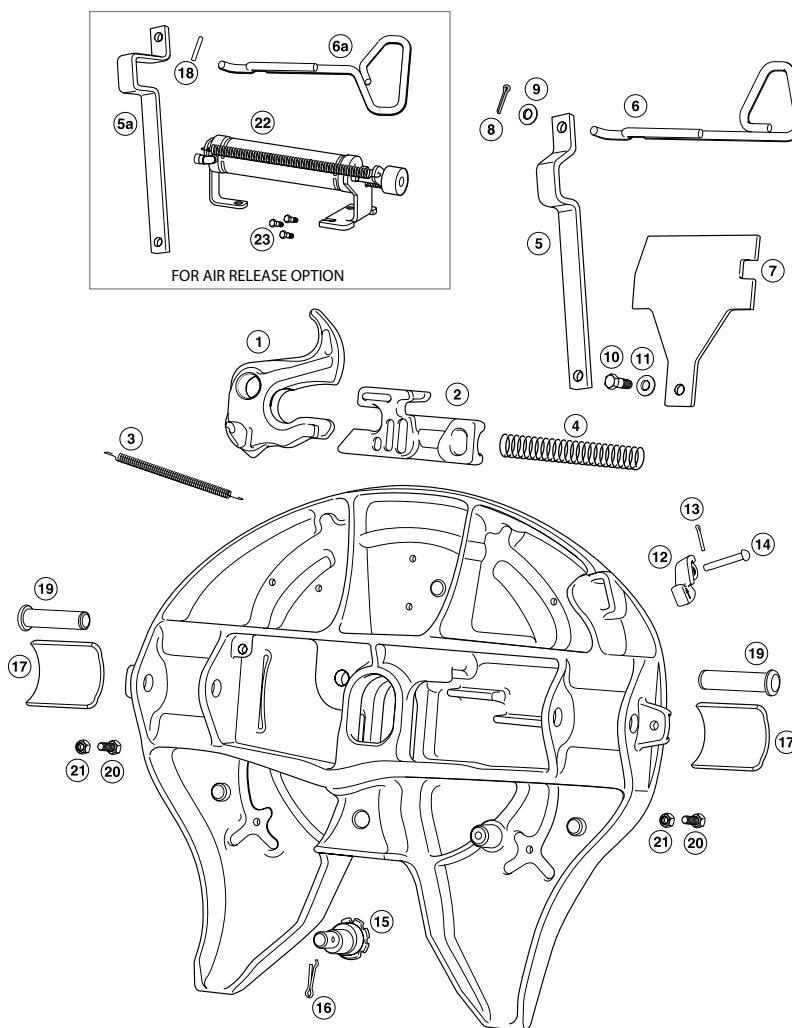
[^]Part included for reference only.

SAF-Holland

Kits

Complete Rebuild Kit	HOLRK-FWS-A-L
Release Handle Kit	HOLRK-10990
Jaw Kit	HOLRK-4109939
Air Cylinder Replacement Kit	HOLRK-10999

SAF-Holland - FWS2 Series



Item	Part Number	Description
1	HOLXA-4109939	Jaw
2	HOL4109931	Lock
3	HOL1200101	Jaw Return Spring
4	HOL1200706	Lock Spring
5	HOL4100373	Lever Bar (Manual Pull)
6	HOLXA-10990	Handle (Manual Pull)
7	HOLXA-10969	Cover Plate
8	HOLXB-11091	Cotter Pin 3/16 in. x 1-1/4 in.
9	HOLXB-T-49	Washer 1/2 in.

Item	Part Number	Description
10	HOLXB-11127	Hex Head Shoulder Bolt
11	HOLXB-T-199	Washer 5/8 in.
12	HOLXD-11121	Lock Indicator
13	HOL84261	Cotter Pin 1/8 in. x 1-1/4 in.
14	HOLXB-10996	Indicator Pin
15	HOLXA-10971	Eccentric Jaw Pin
16	HOL9900170	Clinch Pin 3/16 in. x 1-1/4 in.
17	HOLRK-PKT-2	Pocket Insert (Qty. 2)
18	HOL9900181	Roll Pin 3/16 in. x 1-5/32 in.
19	HOLXE-06356	Bracket Pin
20	HOLXB-C-95	HHCS 1/2 in. - 20 x 1-1/4 in.
21	HOLXB-T-69-A	Locknut 1/2 in. - 20
22	HOLXA-10999	Air Cylinder
23	XB-11027[^]	HHCS 3/8 in. - 16 1/2 in.

Kits	
HOLRK-FWS-A-L	Complete Rebuild Kit
HOLRK-10990	Release Handle Kit
RK-41-9939[^]	Jaw Kit
HOLRK-10999	Air Cylinder Replacement Kit

[^]Part included for reference only.

SAF-Holland

CPR

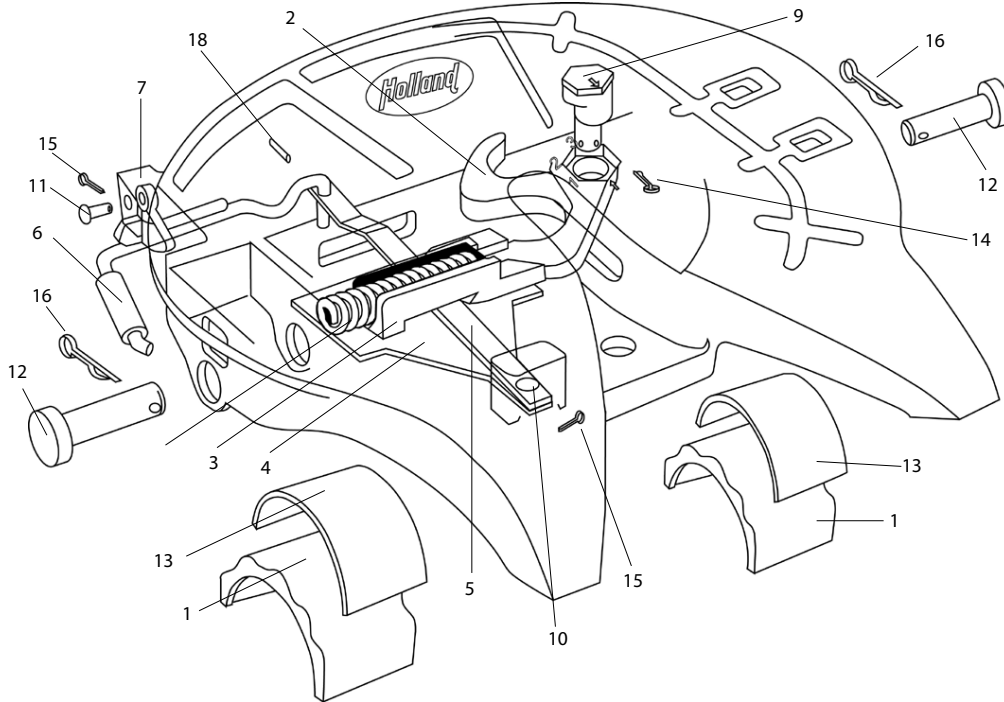
Fifth Wheels

SAF-Holland

Couplers & Hitches

SAF-Holland - Simplex II

DISCONTINUED - Service Parts Only



CPR

Fifth Wheels

SAF-Holland

Item	Part Number	Description
1	HOL4100328	Bracket Shoe
2	Jaw	
	HOLXA-4109939	Left Hand
	HOL4109940	Right Hand
3	Lock	
	HOL4109931	Left Hand
	HOL4109808	Right Hand
4	4100767[^]	Cover Plate
5	HOL4100712	Lever Bar
6	Operating Rod	
	HOL4100342	Left Hand
	HOL4100441	Right Hand
7	Safety Indicator	
	HOL4100294	Left Hand
	HOL4100428	Right Hand
8	HOL1200706	Lock Spring
9	HOL4109916	Eccentric Pin
10	HOL5400766	Lever Bar Pin

Item	Part Number	Description
11	HOL5400711	Safety Indicator Pin
12	HOL5400705	Bracket Pin
13	Bracket Pad	
	HOL4100329	0.38 in.
	HOL4100339	0.33 in.
	HOL4100376	0.42 in.
14	HOL9900170	Clinch Pin
15	HOL84261	Cotter Pin
16	HOL9900169	Clinch Pin
17	HOL84787	Grease Fitting (not shown)
18	HOL9900181	Slotted Spring Pin
19	410997[^]	Oversize Jaw Pin (not shown)
20	HOL4100374	Safety Indicator (not shown)

[^]Part included for reference only.

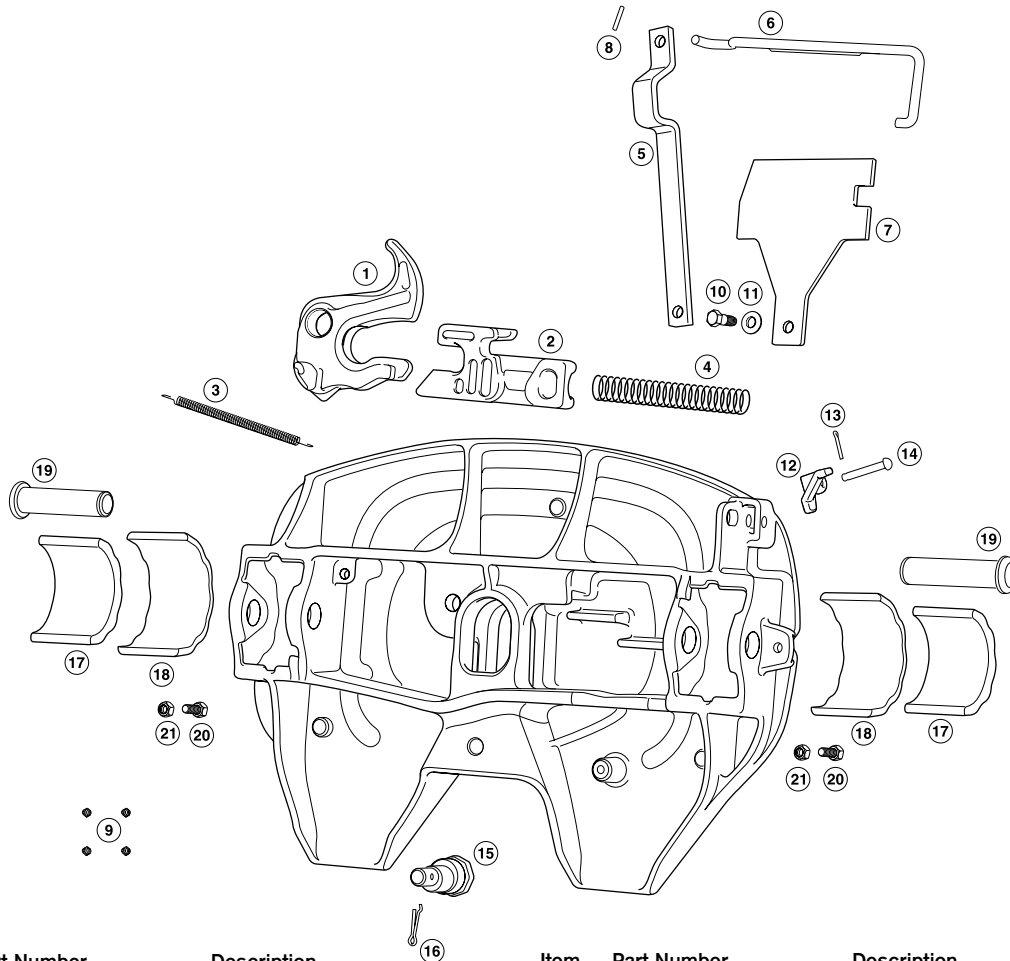
SAF-Holland

Kits

Jaw Kit Standard (LH)	HOL4000501
Jaw Kit Oversize (LH)	HOL4000502
Bracket Connection Kit	HOL4000504
Lock Kit (LH)	HOL4000572
Operating Rod Kit (LH)	HOL4000509

SAF-Holland - Simplex SE

DISCONTINUED - Service Parts Only



Item	Part Number	Description
1	HOLXA-4109939	Jaw
2	HOL4109931	Lock
3	HOL1200101	Jaw Return Spring
4	HOL1200706	Lock Spring
5	HOL4100373	Lever Bar
6	HOL4100420	Handle
7	HOLXA-10969	Cover Plate
8	HOL9900181	Roll Pin
9	HOL84787	Grease Fitting
10	HOLXB-11127	Hex Head Shoulder Bolt
11	HOLXB-T-199	Washer 5/8 in.

Item	Part Number	Description
12	HOL4100294	Lock Indicator
13	HOL84261	Cotter Pin 1/8 in. x 1-1/4 in.
14	HOL5400711	Indicator Pin
15	HOL4109922-P	Eccentric Jaw Pin
16	HOL9900170	Clinch Pin 3/16 in. x 1-1/4 in.
17	Bracket Insert (Qty. 2)	
	HOL4000640	0.33 in.
	HOL4000528	0.38 in.
	HOL4000587	0.42 in.
18	HOL4100328	Bracket Shoe
19	HOL5400705	Bracket Pin
20	HOLXB-C-95	HHCS 1/2 in. - 20 x 1-1/4 in.
21	HOLXB-T-69-A	Locknut 1/2 in. - 20
22	HOL4100423	Air Cylinder
23	HOL9900182	HHCS 3/8 in. - 16 3/4 in.

Kits	
HOL4000531	Release Handle Kit
HOL4000644	Jaw Kit
HOL4000647	Lock Kit
HOL4000504	Bracket Connection Kit (3/8 in. Pads)

*Part included for reference only.

SAF-Holland

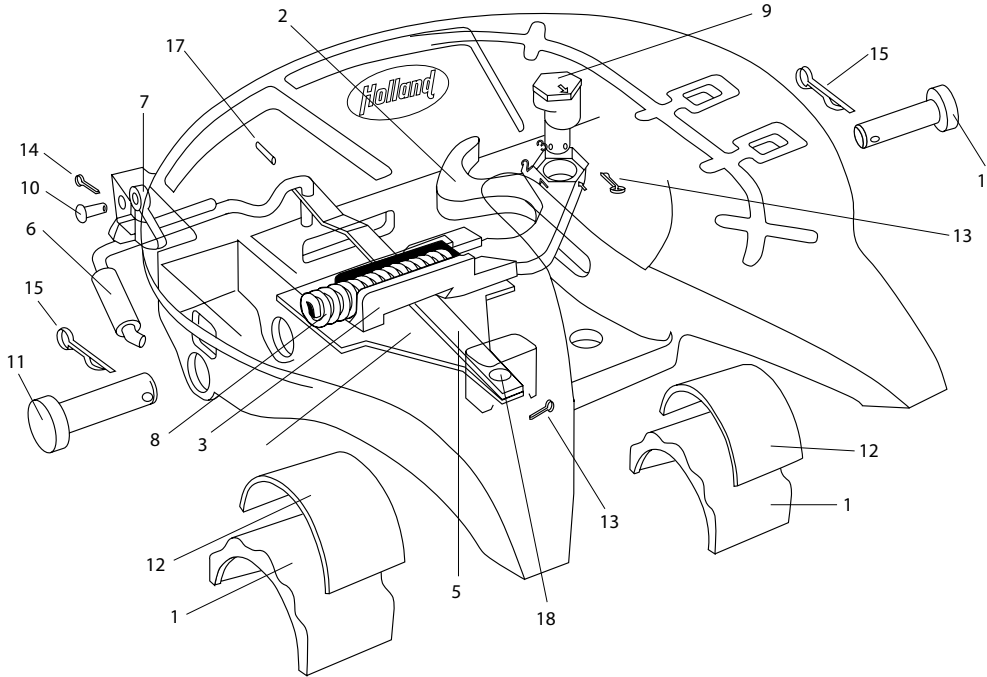
CPR

Fifth Wheels



SAF-Holland - Simplex (Prefix SLS)

DISCONTINUED - Service Parts Only



CPR

Fifth Wheels

SAF-Holland

Item	Part Number	Description
1	HOL4100328	Bracket Shoe
2	HOLXA-4109939	Jaw
3	HOL4109931	Lock
4	HOL4100155	Cover Plate
5	HOL4100373	Lever Bar
6	HOL4100420	Operating Rod
7	HOL4100294	Safety Indicator
8	HOL1200706	Lock Spring
9	HOL4109916	Eccentric Pin
10	HOL5400711	Safety Indicator Pin
11	HOL5400705	Bracket Pin
12	Bracket Pad	
	HOL4100329	0.38 in.
	HOL4100339	0.33 in.
	HOL4100376	0.42 in.

Item	Part Number	Description
13	HOL9900170	Clinch Pin
14	HOL84261	Cotter Pin
15	HOL9900169	Clinch Pin
16	HOL84787	Grease Fitting (not shown)
17	HOL9900181	Slotted Spring Pin
18	HOL4000250	Lever Bar Pin
19	HOL4101250	Safety Indicator (not shown)
20	HOL4100332	Non-Touch Lock Oper. Rod (not shown)
21	HOL4109977	Oversized Jaw Pin (not shown)

Kits

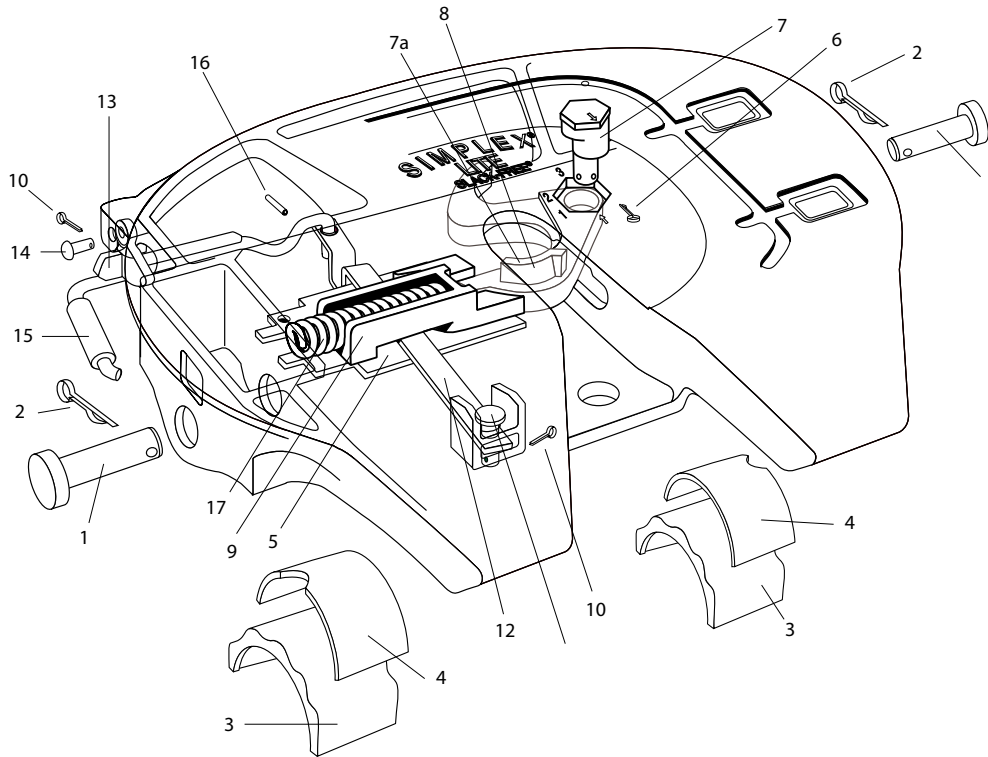
Jaw Kit (Standard)	HOL4000501
Jaw Kit (Oversize)	HOL4000502
Bracket Connection Kit	HOL4000504
Lock Kit	HOL4000570
Operating Rod Kit	HOL4000507

*Part included for reference only.

SAF-Holland

SAF-Holland - Simplex Lite

DISCONTINUED - Service Parts Only



Item	Part Number	Description	Item	Part Number	Description
1	HOL5400705	Bracket Pin	7	HOL4109916	Jaw Pin (Standard)
2	HOL9900169	Clinch Pins for Bracket Pins	8	4109935[^]	Jaw
3	HOL4100328	Bracket Shoes	9	HOL4109931	Lock
4	HOL4100329	Bracket Pads	10	HOL84261	Cotter Pin
5	HOL4100155	Cover Plate	11	HOL4000250	Lever Bar Pin
6	HOL9900170	Clinch Pin for Jaw Pin	15	HOL4100373	Lever Pin
			16	HOL4101250	Safety Indicator
			17	HOL5400711	Safety Indicator Pin
			18	HOL4100382	Operating Rod
			19	HOL9900181	Slotted Spring Pin
			20	HOL1200706	Lock Spring

Kits

HOL4000501 Jaw Kit (Standard)
HOL4000502 Jaw Kit (Oversized)

[^]Part included for reference only.

SAF-Holland

CPR

Fifth Wheels



Couplers & Hitches

Components


Top Plates

HOLXA-351-A-L-P



SAF-Holland

**Top Plate
JOSJSK37FSL**



Jost

Style: Fontaine

JOSJSK37HSL



Jost

Style: Holland

JOSJSK37USL



Jost

For Jost

Rebuild Kits

**Simplex Left Hand Standard Jaw Kit
HOL4000501**



SAF-Holland

**Simplex Left Hand Oversized Jaw Kit
HOL4000502**



SAF-Holland

**Simplex SE Bracket Connection Kit
HOL4000504**



SAF-Holland

2 - 3/8 in. Bracket Insert Poly Pads
2 - Bracket Shoe
2 - Bracket Pin

**Simplex SE Left Hand Jaw Kit
HOL4000644**



SAF-Holland

Jaw, Jaw Return Spring, Eccentric Jaw Pin, Clinch Pin

CPR

Fifth Wheels

SAF-Holland

JOST

Fifth Wheels

Components

Rebuild Kits



Quick Reference

Fifth Wheel Jaw Kits

Fifth Wheel	Kit	Type
Holland FWS1 Series, Holland FWS2	HOLRK-4109939	Jaw Kit
Holland Simplex II	HOL4000501	Jaw Kit Standard (LH)
	HOL4000502	Jaw Kit Oversized (LH)
Holland Simplex SE	HOL4000644	Jaw Kit

Fifth Wheel	Kit	Type
Holland Simplex (Prefix SLS)	HOL4000501	Jaw Kit (Standard)
	HOL4000502	Jaw Kit (Oversize)
Holland Simplex Lite	HOL4000501	Jaw Kit (Standard)
	HOL4000502	Jaw Kit (Oversized)

Couplers & Hitches

Components

Replacement Kits

Simplex Rod Operating Kit
HOL4000507



Pins & Bushing Kit
HOLRK-06973-1



Low Lube Plates Kit
HOLRK-331-1



Left Hand Release Handle
HOLRK-351-09967



Standard Pull Handle Kit
JOSSK75013-20



Pull Handle Drop Kit
JOSSK75013-20D



Handle Kit
JOSSK75016-09



CPR

Fifth Wheels

SAF-Holland

JOST

Components

		Hardware	
SAF-Holland	Bolt Kit BLTKIT-HOL		Mounting Bolt Kit HOLPK-FAST-10
	(8) 3/4 Bolts (16) Washers	(8) Nuts	
SAF-Holland	Pin Kit HOLRK-10605		Air Kit HOLRK-2500-10
			
SAF-Holland	Shaft Yoke HOLXA-1706		Bushing HOLXB-0011-2
			
SAF-Holland			Tag HOLXB-02312

CPR

Fifth Wheels



Couplers & Hitches

Components

Hardware

Cushion
HOLXB-10605

SAF-Holland



Washer
HOLXB-1127

SAF-Holland




Material: Rubber

Hook 5th Wheel
IMXGT-1330


Material: Steel
Length: 31.25 in.

Color: Black



Cylinder
JOS75015-03

Jost



Lever
JOSSK3105-140


Jost

With Chamfer



Kit-37U
JOSSK75014-01

Jost



Cushion Ring
JOSSK79002-00

Jost




Hook 5th Wheel
KIN80111

SAF-Holland

Material: Steel
Length: 35-7/16 in.

Finish: Chrome Plated



CPR

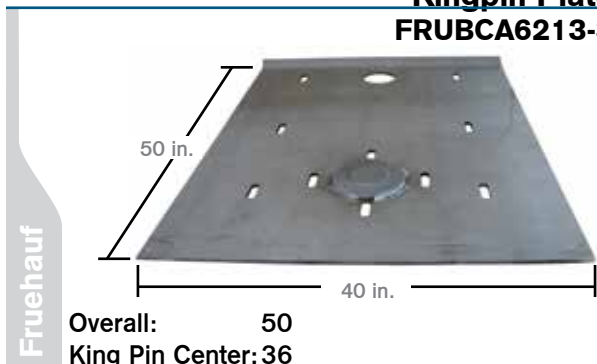
Fifth Wheels

SAF-Holland

JOST

Upper Couplers

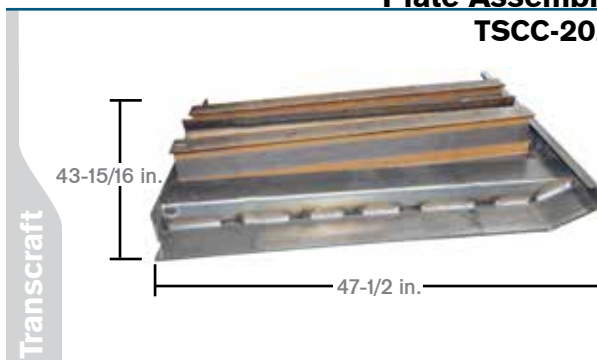
Kingpin Plate
FRUBCA6213-3



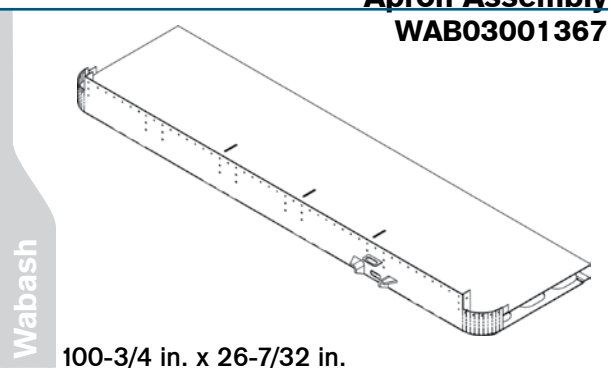
Tank Upper Coupler



Plate Assembly
TSCC-202



Apron Assembly
WAB03001367



Upper Coupler
MFPGRID1-0960



Upper Coupler
MFPGRID1-1020



Quick Reference

5th Wheel Grease

Part Number	Size
LUC10030	1 pint (12 per case)
PTX01020	2 oz. (350 bulk pack)
PTX01010	2 oz. (60 per box)
PNR7005	10-1/2 oz. (12 per case)



CPR

Upper Couplers



Couplers & Hitches

Kingpins

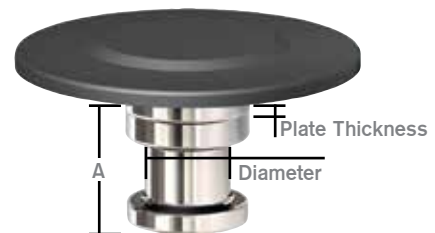
Maltese Cross / Cruciform

	Plate Thickness	Diameter	A	B
PROKP-X2-1.9	1/4 in.	2 in.	1-7/8 in.	3-31/54 in.
HOLKP-AAR-5-C	1/4 in.	2 in.	2-7/16 in.	3-9/16 in.
PROKP-X2-2.4	1/4 in.	2 in.	2-13/32 in.	3-31/54 in.
PROKP-X2-3.6	1/4 in.	2 in.	3-19/32 in.	3-9/16 in.
HOLKP-AAR-5-E	5/16 in.	2 in.	2-1/2 in.	3-7/11 in.
PROKP-X3-2.4	5/16 in.	2 in.	2-13/32 in.	3-7/11 in.
PROKP-X4-2.4	3/8 in.	2 in.	2-13/32 in.	3-7/10 in.
PROKP-X4-3.6	3/8 in.	2 in.	3-19/32 in.	3-7/10 in.



Mushroom

	Plate Thickness	Diameter	A
HOLKP-T-809-CF	1/4 in.	2 in.	3-31/54 in.
PROKP-T2	1/4 in.	2 in.	3-11/34 in.
HOLKP-T-809-EF	5/16 in.	2 in.	3-26/41 in.
PROKP-T3	5/16 in.	2 in.	3-11/34 in.
HOLKP-T-809-F	3/8 in.	2 in.	3-19/27 in.
PROKP-T4	3/8 in.	2 in.	3-11/34 in.
HOLKP-T-809-BF	1/2 in.	2 in.	3-5/6 in.
PROKP-T5	1/2 in.	2 in.	3-11/34 in.



How To Use Kingpin Gauge

Inspecting Diameters

1. Slip gauge over kingpin.
2. Position the gauge onto portion of kingpin to be measured.
3. Be sure to rotate the gauge 360 degrees around the kingpin to measure diameter in all directions.
4. Gauge indicates 1/8 in. of wear.



Inspecting Height

1. Place the notched end of the gauge onto the kingpin.
2. If kingpin does not fit into gauge, height of kingpin is incorrect or bent.
3. Rotate gauge 360 degrees to check all sides of kingpin.



CPR

Kingpins

pro-par
OUR PARTS SAVE TIME

SAF-Holland

Gauges

HOLTF-0110	Contains Single Gauge
-------------------	--------------------------



- Indicates an undersized condition and need of replacement
- Can also be used to check kingpin length

SAF-Holland

Locks

	Type	Key
IMXGT-7201	Steel	
IMXGT-7202-01	Iron	01
IMXGT-7202-02	Iron	02

Replacement Key

IMXGT-7202-01K

IMXGT-7202-02K



(IMXGT-7201)



(IMXGT-7202-01/
IMXGT-7202-02)

Economy

	Type	Key
WARTKP-10DPS	Display Pack	
WARTKP-10DPL25014	Keyed Alike	25014



(WARTKP-10DPL25014)



(WARTKP-10PS)

Cast steel & designed for dropped/untethered trailers; conical design gives it light-weight & is wide enough to deflect the fifth wheel plate of a tractor

War-lok

Slick Discs

	Size	Type	Includes
IMXGT-7100	32 in.	Slick Disc	
IMXGT-7100R		Snap Ring	
IMXGT-7100WR	32 in.	Kit	Slick Disc IMXGT-7100 + Snap Ring IMXGT-7100R
IMXGT-7101	36 in.	Slick Disc	
IMXGT-7101WR	36 in.	Kit	Slick Disc IMXGT-7101 + Snap Ring IMXGT-7100R
IMXGT-SSD007		Super Slick Disc	
IMXGT-SSD007KIT		Kit	Super Slick Disc IMXGT-SSD007 + Ring + Screws
JKG6100		Kit	Slick Disc + Snap Ring



(IMXGT-7100R)



(IMXGT-7100)

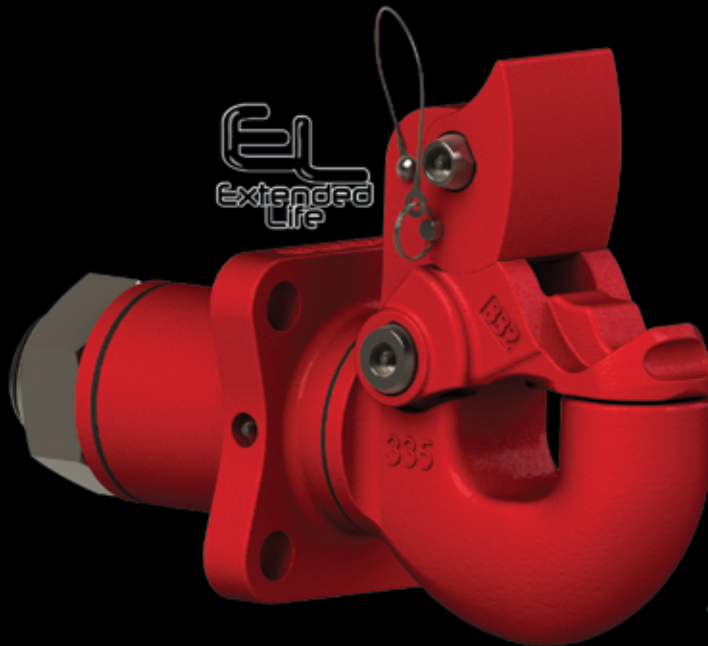


(IMXGT-SSD007)

*EASE YOUR LOADS
WITH OUR
INNOVATIVE PRODUCT DESIGNS*

**PREMIER
MANUFACTURING CO.**

www.premier-mfg.com



NEW PRODUCT!

Model 335NTEL

The Rhino of Swivel Couplings

- Swivel Design
- High Capacity MGTW
- Extended Life Latch Lubrication

Max Gross Trailer Weight: 110,000 lbs. (49,895 kg)

Maximum Tongue Weight: 20,000 lbs. (9,072 kg)

Ultimate Latch Capacity: 65,000 lbs. (29,484 kg)

Model 150

Unique Side Swing Latch

- 10 Ton Combo Coupling
- Eye or Ball Connection
- Compact & Low Profile

MGTW with Drawbar Eye: 20,000 lbs. (9,072 kg)

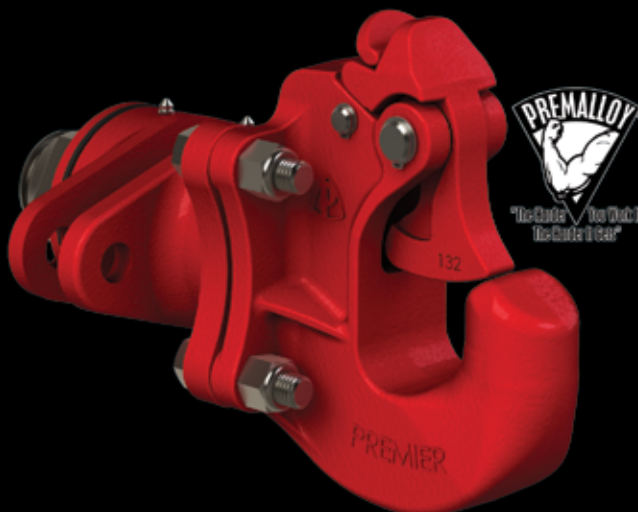
MGTW with 155 or 156 Ball: 10,000 lbs. (4,535 kg)

Maximum Tongue Weight: 2,500 lbs. (1,134 kg)

Ultimate Latch Capacity: 5,000 lbs. (2,267 kg)



Model 150 Coupling
Model 4 Drawbar Eye



Model 240KSA

Unsurpassed Service Life
in a Swivel Coupling

- Premalloy Work-Hardening
- Swivel Design

Max Gross Trailer Weight: 60,000 lbs. (27,216 kg)

Maximum Tongue Weight: 6,000 lbs. (2,721 kg)

Ultimate Latch Capacity: 20,000 lbs. (9,071 kg)

Drawbar Eyes

Premier

Bolt-on Adjustable
PRE127-7

Premier

Rod: 7 in. ID: 2-3/8 in.
MGTW: 100,000 lbs. MTW: 15,000 lbs.

Bolt-on
PRE200

Premier

ID: 2-3/8 in.
MGTW: 100,000 lbs. MTW: 15,000 lbs.

Bolt-on
PRE300

Premier

ID: 3 in.
MGTW: 100,000 lbs. MTW: 15,000 lbs.

Weld-on
PRE20

Premier

For 3 in. Channel or Square Tube
ID: 2-3/8 in.
MGTW: 100,000 lbs. MTW: 15,000 lbs.

Weld-on Adjustable
PRE123-12

Premier

Rod: 12 in. ID: 2-3/8 in.
MGTW: 100,000 lbs. MTW: 15,000 lbs.

Swivel Eye
PRE207S

Premier

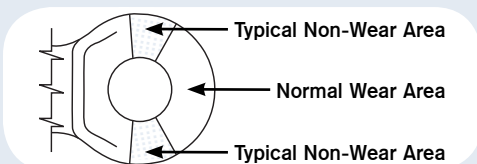
ID: 2-3/8 in. Length: 11-1/8 in.
Comes with nut
MGTW: 90,000 lbs. MTW: 2,500 lbs.

CPR

Drawbar Eyes

Tech Tip

Drawbar Eye Wear Guide



Item	Part Number
Wear Gauge	PRE14000



Couplers & Hitches

Drawbar Eyes

SAF-Holland

**Weld-on
HOLDB-1400**

SAF-Holland



ID: 2-3/8 in.
For 3 in. Channel or Square Tube
MGTW: 90,000 lbs. MTW: 18,000 lbs.

Drawbar Eye Accessories

Premier

**Push Rod Coupler
PRE47**

Premier



Length: 3-5/8 in. Thread: 5/8-18 to 3/4-16
Compatible with 47 Series Coupler

**Take-up Shoe
PRE411**

Premier



Slack Adjusting
For: 110, 123, 125, 127, 410

Bushings

	Material	Length	Inner Diameter	For
PRE348	Rubber	3-1/2 in.	2 in.	340
PRE348A	Poly	3-1/2 in.	2 in.	340S
PRE437	Rubber	4-1/2 in.	2 in.	435, 536A



(PRE348)



(PRE348A)



(PRE437)

Premier

CPR

Pintle Hooks

SAF-Holland



Pintle Hooks

Premier

270 Coupling
PRE270



Air Adjusted with Thimble

370 Coupling
PRE370



Air Adjusted with Thimble
Diameter: 2-1/8 in.

2200 Coupling

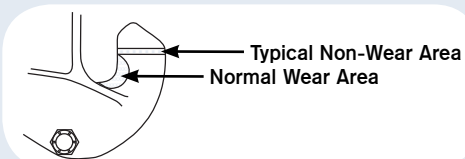
	Type	Additional Info
PRE2200	Coupler	2-1/8 in. dia.
PRE2200L	Coupler	Coupling + Low Profile Lever Kit Installed
PRE2200ELL	Coupler	Extended Life, Low Profile Lever
PRE2200LNS	Coupler	Same as 2200L w/o 279 Shoe
PRE2075K	Low Profile Lever Kit	
PRE2000PK	Kit (for 2300/B, 2400/H, 2880)	Snap Rings + Locknuts + Spacers + Pins + Bolts + Springs + Bushings + Latch Lock + Thimble + Shoe + Handle + Latch
PRE2200PK-ELL	Kit (for 2200ELL)	Snap Rings + Locknuts + Spacers + Pins + Bolts + Springs + Bushings + Latch Lock + Thimble + Shoe + Handle + Latch



Premier

Tech Tip

Coupler Wear Guide



Item	Part Number
Wear Gauge	PRE14000

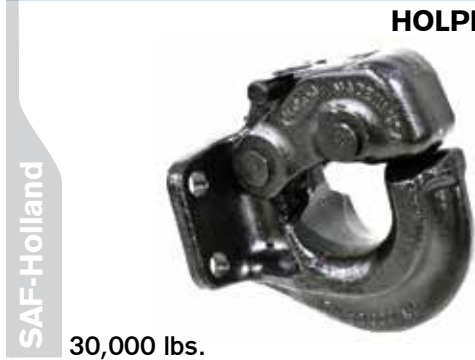


Couplers & Hitches

Pintle Hooks

SAF-Holland

Assembly
HOLPH-30RP41



Assembly
HOLPH-400



Assembly
HOLPH-T-60-AOL-8



Assembly Pintle
HOLPH-10RP41



Pintle Hook
HOLPH-210RN11



Accessories

Plunger & Bracket
HOLXA-02608



Push Rod

Length	Part Number
12 in.	PRE113
8 in.	PRE113A
7 in.	PRE113B



CPR

Pintle Hooks

SAF-Holland



Pintle Hooks

Accessories

**Bolt Kit
PRE159**



Premier

Grade 8
(4) Bolts - 1/2 in. x 2

**Spring
PRE2072A**



Premier

For: 2200, 2300, 2300B, 2400 & 2400H

**Spring
PRE266**



Premier

Size: 5/8 in. x 2-5/8 in.
For: 279, 480, 580, 580J, 590, 690

**Standard Thimble
PRE271**



Premier

Length: 2-3/4 in.

**Locknut
PRE297**



Premier

Size: 1 in.
For: 690 & 2200

**Hinge Pin
PRE442**



Premier

Size: 2 in. x 6-13/16 in.
For: 440, 450

**Clip and Cable
PRE581BB**



Premier

For: 580 & 580J

CPR

Pintle Hooks



Couplers & Hitches

Hinge Assemblies

Drawbar Hinge Assembly
FRUFCA5315-900

Fruehauf



Drawbar Hinge
FRUFCA5315

Fruehauf



Bushings

	Material	Length	Inner Diameter	Outer Diameter	Count	For
PRE448	Rubber	1-3/4 in.	2 in.	3-1/2 in.		455
PRE448A	Poly	1-3/4 in.	2 in.	3-1/2 in.	2	455



(PRE448)



(PRE448A)

Premier

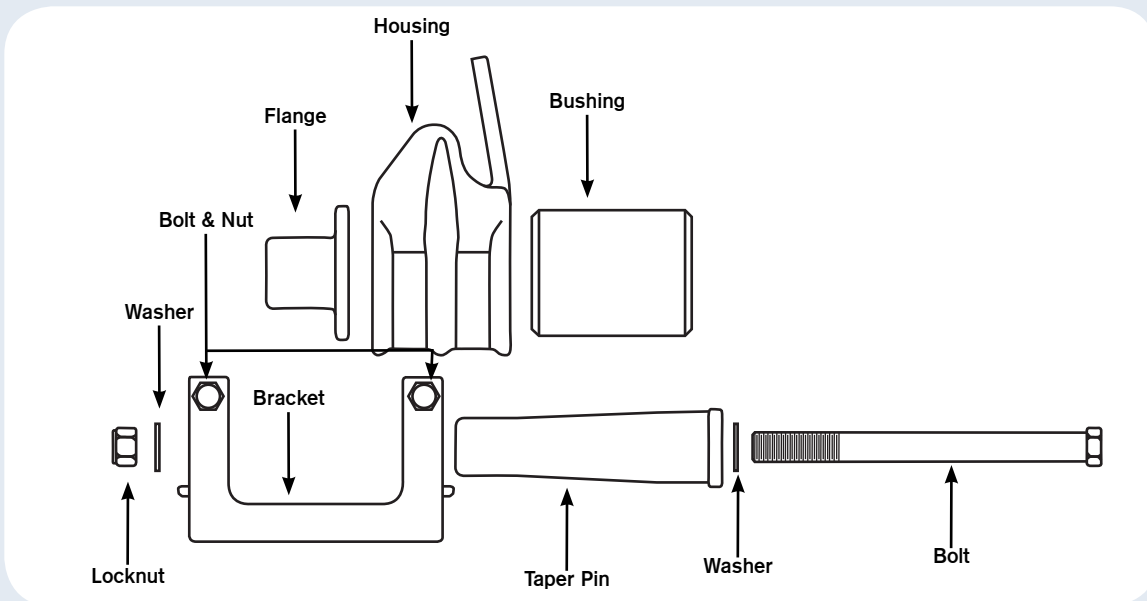
CPR

Hinge Assemblies

FRUEHAUF

Tech Tip

Hinge Assembly Identification



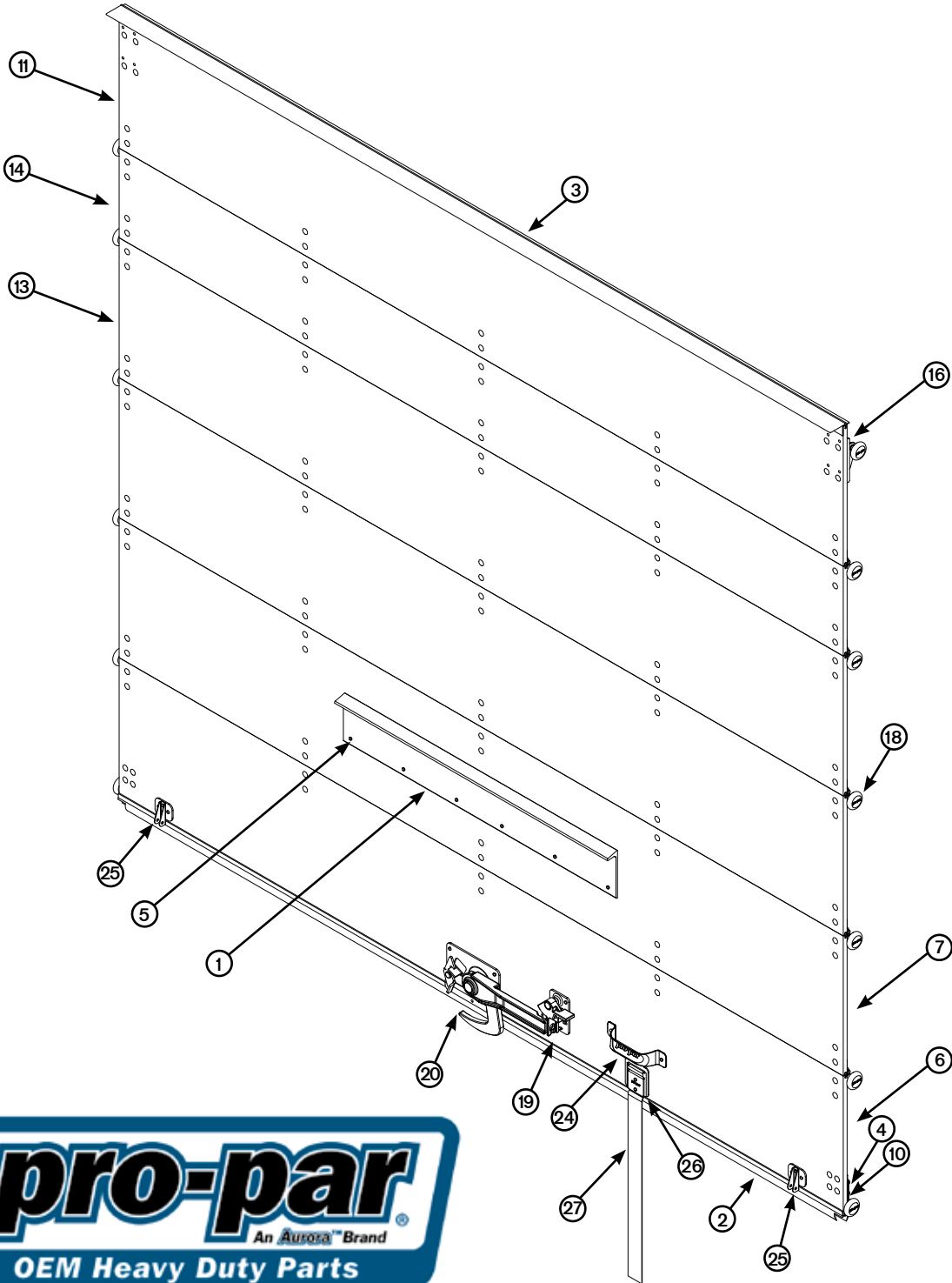
Doors & Accessories 361-476

OHD / Overhead Doors	362-421
Pro-Par	362-375
Todco	376-395
Whiting	396-412
Transglobal	413-417
Swing Doors	422-476
Doors / Door Blanks	422-423
Conversion Kits	424-428
Corner Repair	429
Seals / Gaskets /	
Seal Retainers	430-434
Corner Tabs	435
Chain Snaps	435-437
Footman Loops	438
Hinges	439-454
Holdbacks	455-457
Lockrods	458-475
Mid Cam Locks	476
Stoppers	476



Pro-Par Composite OHD

Generic Model



DOR

OHD / Overhead Doors



Pro-Par Composite OHD

Components

Item	Part Number	Description
1	PROOH260000	36 in. Forklift Plate
2	PROOH415704-098C	Bottom Seal
3	PROOHSEAL98T	Top Seal
4&5	RVT6-28	Aluminum Rivet, Brazier Head 1/4 in. x 15/16 in.
6	PROPL3-160098402	OHD Panel, Bottom, 1 in. Set-up
7	PROPL3-160098402	OHD Panel, Forklift
8	PROOH810000BA	Pro-Par Style End Hinge (Not Shown)
9	PROOH810500B	Center Hinge, Black (Not Shown)
10	PROOH810600B	Bottom Bracket, Black
11	PROPL3-160098402	OHD Panel, Top
12	SCW6-125^A	Deck Screw # 8 1-1/4 in. Phillips HD (Not Shown)
13	PROPL3-160098402	OHD Panel, Intermediate
14	PROPL3-110098402	OHD Panel, Intermediate
15	PRODECAL0001	Pro-Par Decal (Not Shown)
16	PROOH210300BA	Top Fixture - Black Assembled
17	PROOH270001	Latch Plate (Not Shown)
18	PROOH270550	Roller 1 in. Sealed Bearing
19	PROOH280250B	Lock Keeper, 1 in. Black
20	PROOH280350B	1 in. Set-up Lock, Black
21	PROOH415900PR	SST Cable, 125 in. (Not Shown)
22	PROOH415951	Cotter Pin (Not Shown)
23	PROOH810000BA	Pro-Par Style End Hinge (Not Shown)
24	PROOH810700B	Grab Handle, Black
25	PROOH810800B	Cable Anchor Bracket, HD Black
26	PROOH810950B	Retainer, Pull Strap, Black
27	PROOH810900-360	36 in. Pull Strap
28	RVT6-28	Aluminum Rivet, Brazier Head 1/4 in. x 15/16 in. (Not Shown)
29	RVT10-272	Aluminum Rivet, Brazier Head 1/4 in. x 1-1/8 in. (Not Shown)
33	PROOH415925	Anchor Pin (Not Shown)
34	PROOH270600	Spacer, Roller (Not Shown)
35	PRODECAL0002	Warning Decal (Not Shown)

DOR

OHD / Overhead Doors



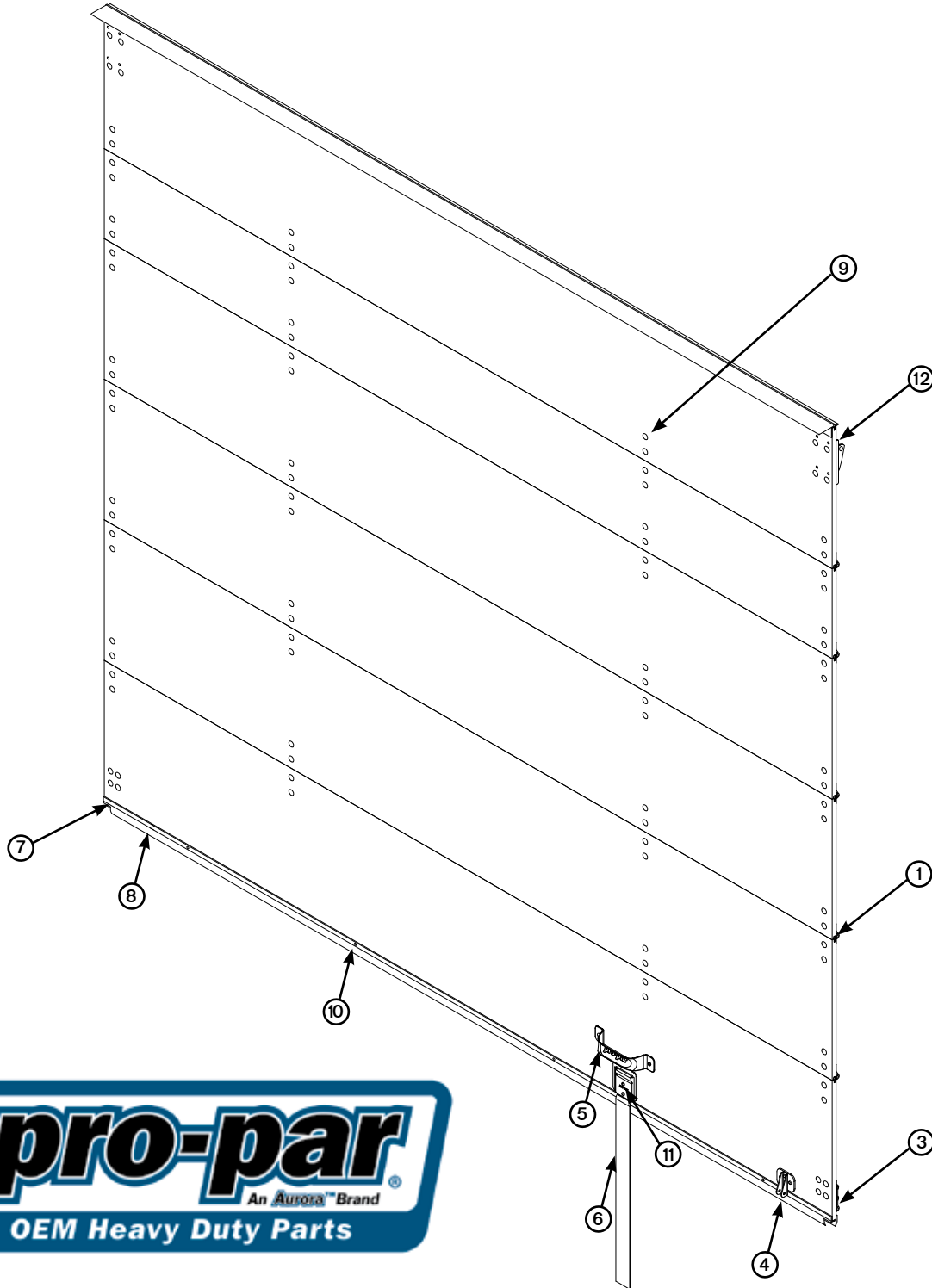
^APart included for reference only.

Pro-Par Wood OHD

Generic Model 98 in. x 107 in.

DOR

OHD / Overhead Doors



Pro-Par Wood OHD

Components

Item	Part Number	Description
1	PROOH810000BA	End Hinge, Black
2	PROOH810500B	Center Hinge, Black
3	TGD5600-2.5	Bottom Roller Bracket Assembly
4	PROOH810800B	Cable Anchor Bracket, Black
5	PROOH810700B	Grab Handle, Black
6	PROOH810975B	Pull Strap Assy, Nylon, 36 in.
7	WHI8280-2	Aluminum Retainer
8	PROOH415704-098C	Door Seal, Dual Durometer, Gray
9	PROOH89291-32	Rivet, SS, Semi Tubular, 1/4 in. x 1 in.
10	PROOH89291-36	Rivet, SS, Semi Tubular, 1/4 in. x 1-1/8 in.
11	PROOH89291-40	Rivet, SS, Semi Tubular, 1/4 in. x 1-1/4 in.
12	PROOH210300BA	Top Fixture, Black
14	PROD751798TTW	Top Panel, 17x98, PPW
15	PROD751598TIW	Intermediate Panel, 15x98, PPW
16	PROD751598TBW	Bottom Panel, 15x98, PPW
17	LOOSE HARDWARE	
18	PROOH89291-32	Rivet, SS, Semi Tubular, 1/4 in. x 1 in.
19	PROOH89291-40	Rivet, SS, Semi Tubular, 1/4 in. x 1-1/4 in.
20	TGD6944	Top Closure Assembly
21	BLT11-232	Step Bolt, 1/4-20 x 1-1/4 in. Splined
22	PROOH270600	Washer Spacer, .704 OD x .474 ID x .062
23	PROOH415925	Cable Anchor Pin
24	PROOH415951	Cotter Pin
25	NUTHNKU04	Keq Lock Nut 1/4 in.-20
26	PROOH270500	2 in. Roller
27	PROOH415900PR	Door Cable, 125 in., SS
28	61403[^]	Seal Retainer
34	DSEALTP4000[^]	Header Seal
35	PROOH280300B	Lock, Black
34	PROOH280250B	Lock Keeper, Black
33	PROOH810000BA	End Hinge, Black
34	TGD5600-2.5	Bottom Roller Bracket Assembly
33	TGD5803	Cable Anchor Bracket

DOR

OHD / Overhead Doors

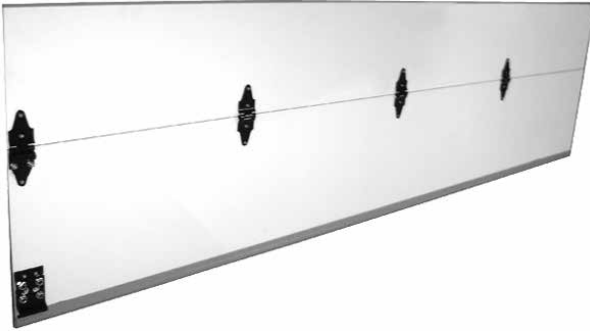


[^]Part included for reference only.

Pro-Par Overhead Doors & Panels

Composite Panels

	Type	Size	Additional
PROPL3-150098402	Intermediate	1/2 in. x 15 in. x 98-1/4 in.	Routed & Splined
PROPL4-150098402	Bottom	15 in. x 98-1/4 in.	Less Lock & Keeper



Composite Combo Panels:

- Replaces bottom two panels of wood door with composite panels
- Includes universal combo panels, pre-bucked rivets, hinges & seal
- Follows the normal procedures to replace damaged panels with new panels
- Fits Todco & Whiting Style Tongue & Groove

Wood Door Assemblies - 3/4 in.

	Style	Size	Color	Additional
PROD9090L	T	90 in. x 90 in.	Primer	Less Track & Operator, 1 in. roller
PROD9090L-FM	W	90 in. x 90 in.	Primer	Less Track & Operator, 2 in. roller
PROD9090L-PPW	T	90 in. x 90 in.	White	Less Track & Operator, 1 in. roller
PROD90100L	T	90 in. x 100 in.	Primer	Less Track & Operator, 1 in. roller
PROD90100L-FM	W	90 in. x 100 in.	Primer	Less Track & Operator, 2 in. roller
PROD90100L-PPW	T	90 in. x 100 in.	White	Less Track & Operator, 1 in. roller
PROD96100L	T	96 in. x 100 in.	Primer	Less Track & Operator, 1 in. roller
PROD98100L	T	98 in. x 100 in.	Primer	Less Track & Operator, 1 in. roller
PROD98100L-FM	W	98 in. x 100 in.	Primer	Less Track & Operator, 2 in. roller
PROD98100L-PPW	T	98 in. x 100 in.	White	Less Track & Operator, 1 in. roller
PROD98105L	T	98 in. x 105 in.	Primer	Less Track & Operator, 15 in. panels, 1 in. roller
PROD98105L-FM	W	98 in. x 105 in.	Primer	Less Track & Operator, 2 in. roller
PROD98105L-PPW	T	98 in. x 105 in.	White	Less Track & Operator, 1 in. roller
PROD98107L	T	98 in. x 107 in.	Primer	Less Track & Operator, 1 in. roller
PROD98107L-FM	W	98 in. x 107 in.	Primer	Less Track & Operator, 2 in. roller
PROD98107L-PPW	T	98 in. x 107 in.	White	Less Track & Operator, 1 in. roller
PROD98107L-PPWFM	W	98 in. x 107 in.	White	Less Track & Operator, 2 in. roller
PROD98112L	T	98 in. x 112 in.	Primer	Less Track & Operator, 1 in. roller
PROD98112L-FMPPW	W	98 in. x 112 in.	White	Less Track & Operator, 2 in. roller

DOR

OHD / Overhead Doors



Pro-Par Overhead Doors & Panels

Wood Door Panels - 3/4 in.

	Type	Section	Size	Color	Additional
PROD751198TI	T&G	Intermediate	3/4 in. x 11 in. x 98 in.	Primer	Routed
PROD751198TINR	T&G	Intermediate	3/4 in. x 11 in. x 98 in.	Primer	No Routes
PROD751198TIW	T&G	Intermediate	3/4 in. x 11 in. x 98 in.	White	Routed
PROD751198TIWNR	T&G	Intermediate	3/4 in. x 11 in. x 98 in.	White	No Routes
PROD7511.598TINR	T&G	Intermediate	3/4 in. x 11-1/2 in. x 98 in.	Primer	No Routes
PROD7511.598TIW	T&G	Intermediate	3/4 in. x 11-1/2 in. x 98 in.	White	Routed
PROD7511.598TIWNR	T&G	Intermediate	3/4 in. x 11-1/2 in. x 98 in.	White	No Routes
PROD751298TI	T&G	Intermediate	3/4 in. x 12 in. x 98 in.	Primer	Routed
PROD751298TINR	T&G	Intermediate	3/4 in. x 12 in. x 98 in.	Primer	No Routes
PROD751298TIW	T&G	Intermediate	3/4 in. x 12 in. x 98 in.	White	Routed
PROD751298TIWNR	T&G	Intermediate	3/4 in. x 12 in. x 98 in.	White	Tongue & Groove, No Routes
PROD751398TI	T&G	Intermediate	3/4 in. x 13 in. x 98 in.	Primer	Routed
PROD751398TIW	T&G	Intermediate	3/4 in. x 13 in. x 98 in.	White	Routed
PROD751598TI	T&G	Intermediate	3/4 in. x 15 in. x 98 in.	Primer	Routed
PROD751598TINR	T&G	Intermediate	3/4 in. x 15 in. x 98 in.	Primer	No Routes
PROD751598TIW	T&G	Intermediate	3/4 in. x 15 in. x 98 in.	White	Routed
PROD751598TIWNR	T&G	Intermediate	3/4 in. x 15 in. x 98 in.	White	No Routes
PROD751198TB	T&G	Bottom	3/4 in. x 11 in. x 98 in.	Primer	With Hardware, Routed
PROD751198TBW	T&G	Bottom	3/4 in. x 11 in. x 98 in.	White	With Hardware, Routed
PROD751198TBWNR[^]	T&G	Bottom	3/4 in. x 11 in. x 98 in.	White	With Hardware, No Routes
PROD7511.598TBNR[^]	T&G	Bottom	3/4 in. x 11-1/2 in. x 98 in.	Primer	With Hardware, No Routes
PROD7511.598TBWNR[^]	T&G	Bottom	3/4 in. x 11-1/2 in. x 98 in.	White	With Hardware, No Routes
PROD751298TB	T&G	Bottom	3/4 in. x 12 in. x 98 in.	Primer	With Hardware, Routed
PROD751298TBNR[^]	T&G	Bottom	3/4 in. x 12 in. x 98 in.	Primer	With Hardware, No Routes
PROD751298TBW	T&G	Bottom	3/4 in. x 12 in. x 98 in.	White	With Hardware, Routed
PROD751298TBWNR[^]	T&G	Bottom	3/4 in. x 12 in. x 98 in.	White	With Hardware, No Routes
PROD751398TB	T&G	Bottom	3/4 in. x 13 in. x 98 in.	Primer	With Hardware, Routed
PROD751398TBW	T&G	Bottom	3/4 in. x 13 in. x 98 in.	White	With Hardware, Routed
PROD751598TB	T&G	Bottom	3/4 in. x 15 in. x 98 in.	Primer	With Hardware, Routed
PROD751598TBNR[^]	T&G	Bottom	3/4 in. x 15 in. x 98 in.	Primer	With Hardware, No Routes
PROD751598TBW	T&G	Bottom	3/4 in. x 15 in. x 98 in.	White	With Hardware, Routed
PROD751598TBWNR[^]	T&G	Bottom	3/4 in. x 15 in. x 98 in.	White	With Hardware, No Routes
PROD7515.598TBNR	T&G	Bottom	3/4 in. x 15-1/2 in. x 98 in.	Primer	With Hardware, No Routes

T&G - Tongue & Groove

Bottom Panels Include Steel Angle w/Seal, Bottom Fixtures, Cable Anchors, Pull Strap & Lift Handle

[^]Bottom Panels Include U-Channel w/Seal, Bottom Fixtures, Cable Anchors, Pull Strap & Lift Handle

DOR

OHD / Overhead Doors



More Information

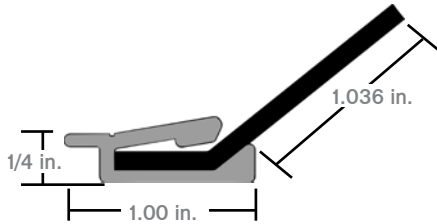
www.MyAuroraPlus.com

Need more information on a particular trailer? Log into www.MyAuroraPlus.com for Aurora's Graphical Bill of Material (GBOM). Easily point and click through visual elements of a trailer to drill down to an individual trailer component.

Pro-Par Door Seals

Side Seal

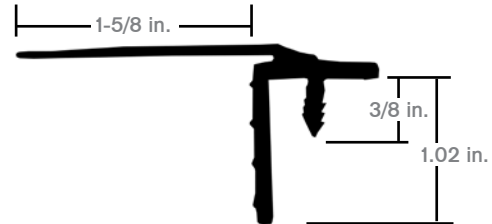
PROOH415700-1100



Material: Belted Rubber
Length: 110 in.

Top Seal

PROOH415702-1000



Color: Black For: Composite Door
Size: 100 in. x 1/2 in.

Bottom Seal

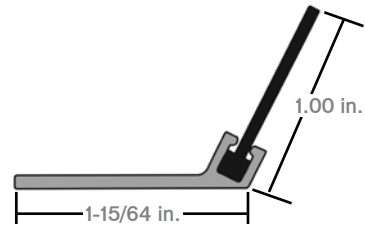
PROOH415704-098C



Color: Gray For: Swing or OHD
Size: 1/2 in. x 98-3/4 in.

Brush Side Seal

PROOH415805-1100



Material: Brush Seal Color: Black
Length: 110 in.

Top Seal

PROOHSEAL98T



Color: Black For: Composite Door
Size: 3/4 in. x 98 in.

DOR

OHD / Overhead Doors



More Information

The Tweakster



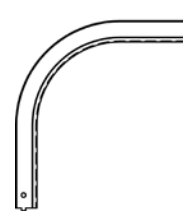
The Tweakster is used to repair bent track instead of replacing it. Tweaksters are available for 1 in. track and 2 in. track.

TOL1311 1 in. Track Straightener
TOL1312 2 in. Track Straightener

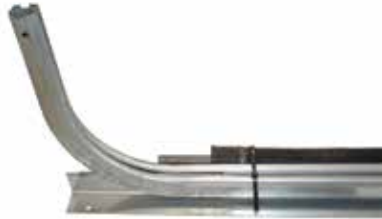
Pro-Par Door Track

Horizontal Track

	Location	Size	Clips
PROOH410005-1300	Curbside	1 in. x 18 in. x 130 in.	No
PROOH410006-1300	Roadside	1 in. x 18 in. x 130 in.	No
PROOH410003-1300	Curbside	2 in. x 18 in. x 130 in.	No
PROOH410004-1300	Roadside	2 in. x 18 in. x 130 in.	No



Universal Track & Dual Spring Operator Kit PROOH49020



2 in. Roller
Size: 2 in. x 110 in.

Rubber End Stop PROOH416600



For: Horizontal Track
Size: 2 in.

Pro-Par Components

Counterbalances / Operators

	Spring	Roller Size	Length	Size
PROOH330500	Single	1 in.	96 in.	.243 x 1.75 x 57
PROOH330600			96 in.	.262 x 1.75 x 57
PROOH330601			96 in.	.262 x 1.75 x 57
PROOH330602			96 in.	.262 x 1.75 x 62
PROOH330700			98 in.	.283 x 1.75 x 68
PROOH350600	Dual	2 in.	96 in.	.192 x 2.18 x 33 (2)
PROOH350625			94 in.	.192 x 2.18 x 33 (2)
PROOH350650			93 in.	.187 x 2.18 x 31 (2)
PROOH350675			87 in.	.187 x 1.75 x 31 (2)



Single Spring



Dual Spring

DOR

OHD / Overhead Doors



Pro-Par Components

Door Cables

	Eye	Length
PROOH415874PR	1/4 in.	110 in.
PROOH415920PR	1/4 in.	115 in.
PROOH415915PR	1/4 in.	130 in.
PROOH415879PR	1/4 in.	140 in.
PROOH415881PR	1/4 in.	145 in.
PROOH415883PR	1/4 in.	150 in.
PROOH415871PR	5/16 in.	92 in.
PROOH415873PR	5/16 in.	97 in.
PROOH415870PR	5/16 in.	105 in.
PROOH415875PR	5/16 in.	110 in.
PROOH415880PR	5/16 in.	115 in.
PROOH415900PR	5/16 in.	125 in.
PROOH415885PR	5/16 in.	130 in.
PROOH415884PR	5/16 in.	156 in.

	Eye	Length
PROOH415872PR	7/16 in.	95 in.
PROOH415890PR	7/16 in.	105 in.
PROOH415876PR	7/16 in.	110 in.
PROOH415895PR	7/16 in.	115 in.
PROOH415877PR	7/16 in.	120 in.
PROOH415905PR	7/16 in.	125 in.
PROOH415910PR	7/16 in.	130 in.
PROOH415878PR	7/16 in.	135 in.
PROOH415882PR	7/16 in.	145 in.

Material: Stainless Steel
 Metal Eye: 7 x 19
 Count: Pair



Pro-Par Hardware

Cable Drums

Location	
Roadside	PROOH360000
Curbside	PROOH360100



Size: 3 in.
 Includes: Screws

Cable Drum & Bearing Assemblies

Location	
Roadside	PROOH360200
Curbside	PROOH360300



Dual Spring Center Clamp PROOH350100



Spring Bearing Kit PROOH320000



DOR

OHD / Overhead Doors



Pro-Par Hardware

Cable Anchor Brackets

Finish	
Black	PROOH810800B
White	PROOH810800W



Bottom Fixtures

Finish	
Black	PROOH810600B
Stainless Steel	PROOH810600SS



Center Hinges

	Finish	Additional
PROOH810300B	Black	Heavy Duty
PROOH810500B	Black	
PROOH810500SS	Stainless Steel	
PROOH220100S	Silver	



(PROOH810300B)



(PROOH810500B)



(PROOH220100S)

End Hinges

	Type	Finish	Additional
PROOH810000-1SS	Hinge	Stainless Steel	Without Cover
PROOH810000-2B	Cover	Black	
PROOH810000-2SS	Cover	Stainless Steel	
PROOH810000BA	Assembly	Black	
PROOH810400-1B	Hinge	Black	Heavy Duty
PROOH810400-2B	Cover	Black	Heavy Duty
PROOH810400BA	Assembly	Black	Heavy Duty
PROOH220000S	Hinge	Silver	Standard



(PROOH810000-1SS)



(PROOH810000-2B)



(PROOH810000-2SS)



(PROOH810000BA)



(PROOH810400-1B)



(PROOH810400-2B)



(PROOH810400BA)

DOR

OHD / Overhead Doors



Pro-Par Hardware

Bottom Fixture PROOH810650S



Finish: Silver
For: Wood Door

Locks

Finish	
Black	PROOH280300B
Galvanized	PROOH280300G
White	PROOH280300W



W-Style

Top Fixtures

	Type	Finish	Additional
PROOH210300BA	Assembly	Black	
PROOH210300SSA	Assembly	Stainless Steel	
PROOH210300-1B	Bottom Only	Black	Less Bolts
PROOH210300-4B	Base	Black	With Hardware
PROOH210300-2B	Top Only	Black	Less Bolts



(PROOH210300-1B)



(PROOH210300-2B)



(PROOH210300-4B)



(PROOH210300BA)



(PROOH210300SSA)

Accessories

Stud	PROOH210300-3
Washer	PROOH210350-4
Bolt	PROOH210350-5

Keepers

Finish	
Black	PROOH280200B
Galvanized	PROOH280200G
White	PROOH280200W



W-Style

Locks

Finish	
Black	PROOH280350B
Galvanized	PROOH280350G
White	PROOH280350W



T-Style

DOR

OHD / Overhead Doors



Pro-Par Hardware

Keepers

Finish	
Black	PROOH280250B
Galvanized	PROOH280250G
White	PROOH280250W

T-Style



Lock with Keeper PROOH280310W



Style: W-Style
Finish: White

Latch Plate PROOH270001



Pull Strap

Width	Length	
2 in.	24 in.	PROOH810900-240
2 in.	30 in.	PROOH810900-300
2 in.	36 in.	PROOH810900-360
2 in.	60 in.	PROOH810900-600

Color: Black



Grab Handles

Finish	
Black	PROOH810700B
Stainless Steel	PROOH810700SS
White	PROOH810700W



Pull Strap Retainer

Finish	
Black	PROOH810950B
Stainless Steel	PROOH810950SS
White	PROOH810950W



Accessories

1/4 in. Rivets Needed

Strap & Retainer Assembly

Pull Strap Length	Retainer Finish	
36 in.	Black	PROOH810975B
36 in.	White	PROOH810975W
60 in.	White	PROOH810976W



Retainer Assembly Kit PROOH810900-600KIT

Pull Strap Length:
60 in.
Retainer Finish:
White
Includes Rivets



DOR

OHD / Overhead Doors



Pro-Par Hardware

Rollers & Spacer

	Type	Size	
PROOH270550	Roller	1 in.	
PROOH270500	Roller	2 in.	
PROOH270600	Spacer	0.704 in. x 0.474 in. x 0.062 in.	



Semi Tubular Rivets - Stainless Steel

	Diameter	Length	Additional
PROOH89291-26	1/4 in.	5/8 in.	
PROOH89291-28	1/4 in.	3/4 in.	
PROOH89291-25	1/4 in.	25/32 in.	Locks, Handles
PROOH89291-30	1/4 in.	7/8 in.	
PROOH89291-29	1/4 in.	29/32 in.	Fixtures - External
PROOH89291-32	1/4 in.	1 in.	
PROOH89291-36	1/4 in.	1-1/8 in.	
PROOH89291-40	1/4 in.	1-1/4 in.	



Flange Nut PRONUT2



Size: 5/16 in. - 18

Backer Plate PROOH000103G

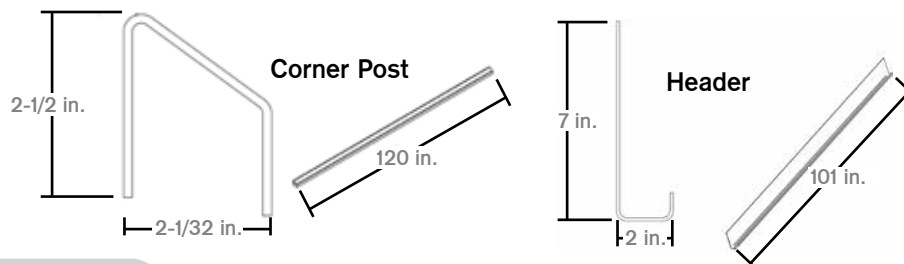


Finish: Galvanized

Swing Door Conversion Kit

PROOH-CONVKIT-001

Converts Old Swing Doors to Roll-up Doors



Includes: 2 Posts & 1 Header

DOR

OHD / Overhead Doors



Pro-Par Door Hardware Cross Reference

Pro-Par	Description	Todco	Whiting
PROOH810800B	Cable Anchor Bracket - Black	TOD61204	WHI5803
PROOH810800W	Cable Anchor Bracket - White	TOD61204	WHI5803
PROOH360000	Cable Drum - Roadside	TOD59157-4	WHI4128
PROOH360100	Cable Drum - Curbside	TOD59157-3	WHI4127
PROOH360200	Cable Drum & Bearing Assembly - Roadside		WHI2547
PROOH360300	Cable Drum & Bearing Assembly - Curbside		WHI2548
PROOH810650S	Bottom Fixture	TOD61352	
PROOH220100S	Center Hinge for Wood Door	TOD61196	
PROOH810500B	Center Hinge		WHI15
PROOH220000S	End Hinge for Wood Door	TOD69035	
PROOH810000-1B	End Hinge		WHI1207
PROOH810000-2B	End Hinge		WHI1208
PROOH810000BA	End Hinge Assembly		WHI1209-A
PROOH210350S	Top Fixture for Wood Door	TOD69433	
PROOH210350S03	Top Fixture	TOD69432	
PROOH210350S05	Top Fixture for Wood Door	TOD69431	
PROOH210300BA	Top Fixture Assembled		WHI6944
PROOH210300-2B	Top Fixture		WHI6943
PROOH280300B	Lock - Black		WHI77
PROOH280300G	Lock - Galvanized		WHI77
PROOH280300W	Lock - White		WHI77WHT
PROOH280350B	Lock - Black	TOD69571	
PROOH280350G	Lock - Stainless Steel	TOD69571	
PROOH280350W	Lock - White	TOD69571-PPW	
PROOH280200B	Keeper - Black		WHI7515
PROOH280200G	Keeper - Galvanized		WHI7515
PROOH280200W	Keeper - White		WHI7515WHT
PROOH280250B	Keeper - Black	TOD69572	
PROOH280250G	Keeper - Stainless Steel	TOD69572	
PROOH280250W	Keeper - White	TOD69572	
PROOH270001	Latch Plate		WHI2804
PROOH810950B	Retainer - Black	TOD69832	
PROOH810950W	Retainer - White	TOD69832	
PROOH270550	1 in. Roller	TOD61174	
PROOH270500	2 in. Roller	TOD70224	WHI2996
PROOH320000	Spring Bearing Kit	TOD51038	
PROOH330500	Operator Assy, Single Spring 96", .243, Counterbalance	TOD59292	
PROOH350100	Dual Spring Center Clamp		WHI2526
PROOH350650	Operator Assy, Sual Spring 93", .187, with Brackets		WHI2376-93
PROOH350675	Operator Assy, Dual Spring, .187x31x87", with Brackets		WHI2376-87
PROOH810700B	Grab Handle - Black	TOD61401-05	WHI1715
PROOH810700W	Grab Handle - White	TOD61401	WHI1715WHT
PROOH810975B	Strap & Retainer Assembly		WHI9723

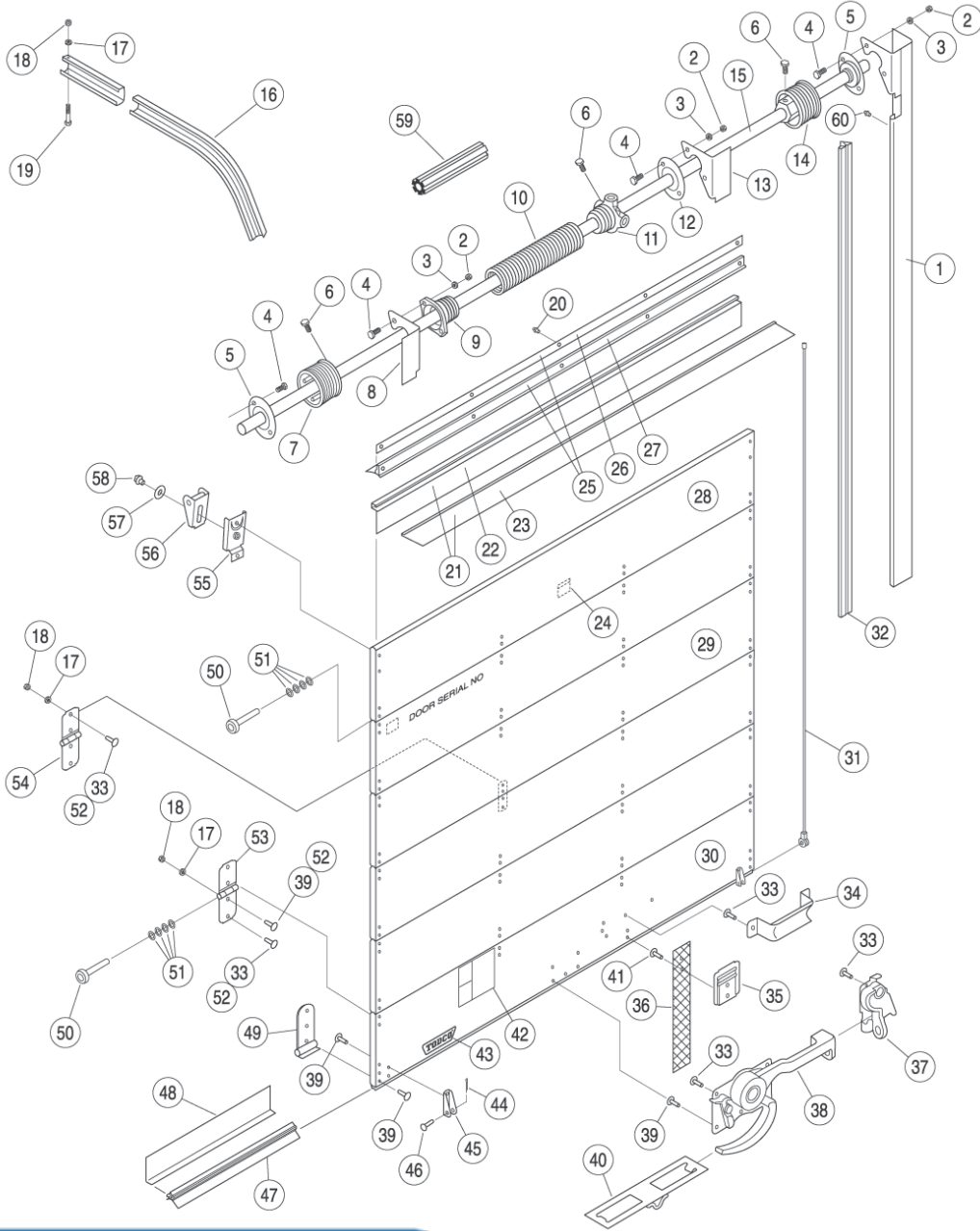
DOR

OHD / Overhead Doors



Todco 3/4 in. Std Plywood

Model - Exploded View



DOR

OHD / Overhead Doors



Todco 3/4 in. Std Plywood

Components

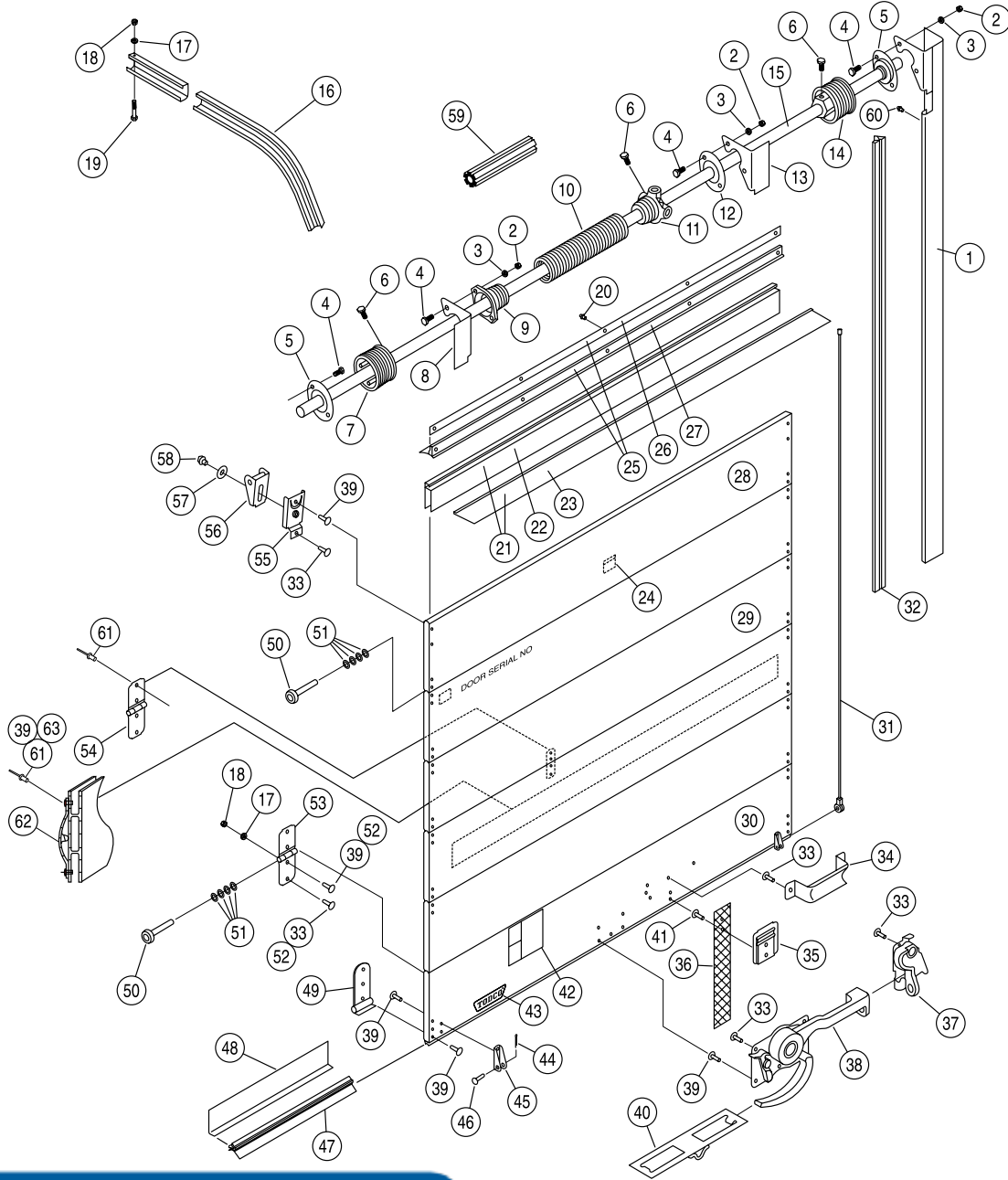
Item	Part Number	Description
1	TOD49014-111C	Vertical Track Assembly - 111-3/4
2	TGD80352-518-OE	Hex Nut - 5/16 in.
3	TGD80322-319-OE	Lock Washer - 5/16 in.
4	89186-3[^]	Hex Head Bolt - 5/16 in. x 7/8 in.
5	TOD51038	Bearing Assembly
6	TOD80300-2414	Hex Head Set Screw - 3/8 in. x 7/8 in.
7	TOD59129-2	Cable Drum Roadside - 105 in.
	TOD59157-4	Cable Drum Roadside - 105 to 120 in.
8	TOD51036-2	Spring Anchor Bracket
9	TOD51043	Spring Anchor Plug 1-3/4 in. Inner Diameter Spring
	TOD59024	Spring Anchor Plug 2-1/2 in. Inner Diameter Spring
10	TOD51042	Spring - Inner Diameter 1-3/4 in.
	TOD59031.026X65	Spring - Inner Diameter 2-1/2 in.
11	TOD59158	Spring Winding Plug - 1-3/4 in. Inner Diameter Spring
	59159[^]	Spring Winding Plug - 2-1/2 in. Inner Diameter Spring
12	TOD59083	Bearing Assembly - Support Bracket
13	TOD51036-1	Support Bracket - Curbside
14	TOD59129-1	Cable Drum Curbside - 105 in.
	TOD59157-3	Cable Drum Curbside - 105 to 120 in.
15	TOD59290-98	Counterbalance Shaft
16	TOD49702-1300	Horizontal Track Set - 130 in.
17	80322-255[^]	Lock Washer - 1/4 in.
18	80352-420[^]	Hex Nut - 1/4 in.
19	80105-414[^]	Hex Head Bolt - 1/4 in. x 1-3/4 in.
20	89100-2[^]	Drive Rivet - 3/16 in. x 15/32 in.
21	TOD70001	Head Seal Assembly - 96 in.
22	TOD69790X96	Retainer - Head Seal
23	TOD69718X108	Head Seal
24	70319[^]	Warning Sticker - Counterbalance
25	TOD69770	Head Seal Assembly - 96 in.
26	TOD61403	Retainer - Head Seal - 96 in.
27	TOD61402	Head Seal
28	TOD29013-0000	Top Panel - ToughShell - 15x96
	29017[^]	Top Panel - Aluminum Covered

Item	Part Number	Description
29	TOD29014-11X98	Intermediate Panel
30	TOD29016-1-11X98	Bottom Panel
31	TOD51044PR	Cable Assembly - 110 in. LG -100 in. Door Ht
	TOD59004PR	Cable Assembly - 115 in. LG -100 in. to 105 in. Door Ht
	TOD59003PR	Cable Assembly - 130 in. LG -105 in. to 120 in. Door Ht
32	TOD61390	Side Seal - Pair
33	TOD89210-0032	Rivet - 1 in. LG.
34	TOD61401	Lift Handle
35	TOD69832	Pull Strap Retainer
36	TOD80844-1408	Pull Strap -30 in. Straight Standard
37	TOD69572	Keeper Assembly
38	TOD69571	Maximum Security Lock Assembly - Standard
	TOD70223	Offset Lever Arm
39	TOD89210-0036	Rivet - 1-1/8 in.
40	TOD70093	Catch Box
41	TOD89210-0044	Rivet - 1-3/8 in.
42	70318[^]	Warning Sticker - Safety Notice
43	69793[^]	Name Plate
44	TGD80401-316	Cotter Pin - 3/32 in. Dia.
45	TOD61204	Cable Anchor Bracket
46	TOD61026	Cable Anchor Pin
47	TOD80840-96	Bottom Seal
48	TOD61191	Bottom Angle - 96 in.
49	TOD61352	Bottom Fixture
50	TOD61174	Roller, 1 in. Stl
51	TOD80020	Spacer Washer - Roller
52	80015-0040[^]	Step Bolt - 1/4 in. x 1-1/4 in.
53	TOD69035	End Hinge
54	TOD61196	Center Hinge
55	TOD69432	Base - Adjustable Top Fixture
56	TOD69431	Slide - Adjustable Top Fixture
57	80302-2436[^]	Flat washer - 3/8 in.
58	TOD89049	E-Lok Bolt - 3/8 in.
59	TOD59092-30	Filler Plug -2-1/2 Inner Dia. Spring
60	89100-1[^]	Drive Rivet -3/16 in. Dia. x 9/32 in. LG

[^]Part included for reference only.

Todco WeatherTite™

Model - Exploded View



DOR

OHD / Overhead Doors

TODCO



Todco WeatherTite™

Components

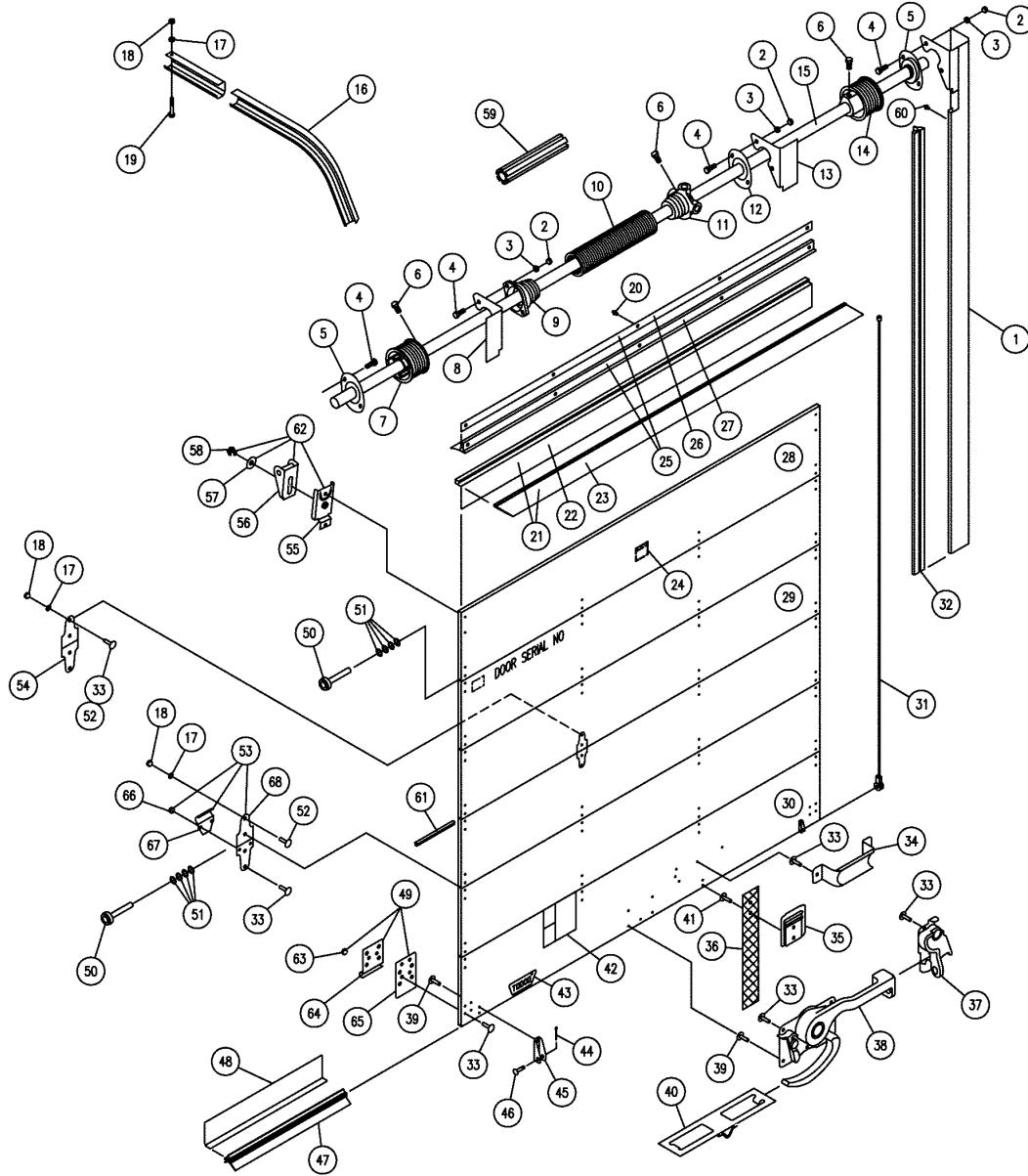
Item	Part Number	Description
1	TOD49014-111C	Vertical Track Assembly - Curbside
2	TGD80352-518-OE	Hex Nut - 5/16 in.
3	TGD80322-319-OE	Lock Washer - 5/16 in.
4	89186-3[^]	Hex Head Bolt - 5/16 in. x 7/8 in.
5	TOD51038	Bearing Assembly
6	TOD80300-2414	Hex Head Set Screw - 3/8 in. x 7/8 in.
7	TOD59129-2	Cable Drum Roadside -105 in. Door Height
	TOD59157-4	Cable Drum Roadside -105 in. to 120 in. Door Height
8	TOD51036-2	Spring Anchor Bracket
9	TOD51043	Spring Anchor Plug -1-3/4 in. Inner Diameter Spring
	TOD59024	Spring Anchor Plug -2-1/2 in. Inner Diameter Spring
10	TOD51042	Spring - 1-3/4 in. Inner Diameter
	TOD59031.0262X65	Spring - 2-1/2 in. Inner Diameter
11	TOD59158	Spring Winding Plug -1-3/4 in. Inner Diameter Spring
	59159[^]	Spring Winding Plug -2-1/2 in. Inner Diameter Spring
12	TOD59083	Bearing Assembly - Support Bracket
13	TOD51036-1	Support Bracket - Curbside
14	TOD59129-1	Cable Drum Curbside -105 in. Door Height
	TOD59157-3	Cable Drum Curbside -105 in. to 120 in. Door Height
15	TOD59290-98	Counterbalance Shaft
16	TOD49702-1300	Horizontal Track Set - 130 in.
17	80322-255[^]	Lock Washer - 1/4 in.
18	80352-420[^]	Hex Nut - 1/4 in.
19	80105-414[^]	Hex Head Bolt - 1/4 in. x 1-3/4 in.
20	89100-2[^]	Drive Rivet - 3/16 in. x 15/32 in.
21	70468[^]	Head Seal Assembly
22	TGD70464	Retainer - Head Seal
23	TOD69718X96	Head Seal
24	70319[^]	Warning Sticker - Counterbalance
25	TOD69770	Head Seal Assembly
26	TOD61403	Retainer - Head Seal
27	TOD61402	Head Seal
28	TOD29917-12.5X98	Top Panel

Item	Part Number	Description
29	TOD29918-11X98	Intermediate Panel
30	TOD29919-1	Bottom Panel
31	TOD51044PR	Cable Assembly - 110 in. LG. -100 in. Door Height
	TOD59004PR	Cable Assembly - 115 in. LG. -100 in. to 105 in. Door Height
	TOD59003PR	Cable Assembly - 130 in. LG. -105 in. to 120 in. Door Height
32	TOD61390	Side Seal - Pair
33	59210-0032[^]	Rivet - 1 in. LG.
34	TOD61401	Lift Handle
35	TOD69832	Pull Strap Retainer
36	TOD80844-1408	Pull Strap - 30 in. Straight Standard
37	TOD69572	Keeper Assembly
38	TOD69571	Security Lock Assembly - Standard
	TOD70223	Security Lock Assembly - Offset Lever Arm
39	TOD89210-0036	Rivet - 1-1/8 in. LG.
40	TOD70093	Catch Box
41	TOD89210-0044	Rivet - 1-3/8 in. LG.
42	70318[^]	Warning Sticker - Safety Notice
43	69793[^]	Name Plate
44	TGD80401-316	Cotter Pin - 3/32 in. Diameter
45	TOD61204	Cable Anchor Bracket
46	TOD61026	Cable Anchor Pin
47	TOD80840-96	Bottom Seal
48	TOD61191	Bottom Angle
49	TOD61352	Bottom Fixture
50	TOD61174	Roller
51	TOD80020	Spacer Washer - Roller
52	BLT11-232	Step Bolt - 1/4 in. x 1-1/4 in.
53	TOD69035	End Hinge
54	TOD61196	Center Hinge
55	TOD69432	Base - Adjustable Top Fixture
56	TOD69431	Slide - Adjustable Top Fixture
57	80302-2436[^]	Flatwasher - 3/8 in.
58	TOD89049	E-Lok Bolt - 3/8 in.
59	TOD59092-30	Filler Plug -2-1/2 in. Inner Diameter Spring
60	89100-1[^]	Drive Rivet -3/16 in. Diameter x 9/32 in. LG.
61	89299-4000[^]	Blind Rivet - 1/4 in. Diameter
62	70465[^]	Reinforcement Strap for Panels over 89-1/4 in. width
63	89317[^]	Sleeve

[^]Part included for reference only.

Todco ArmorPlate™

Model - Exploded View



DOR

OHD / Overhead Doors

TODCO



Todco ArmorPlate™

Components

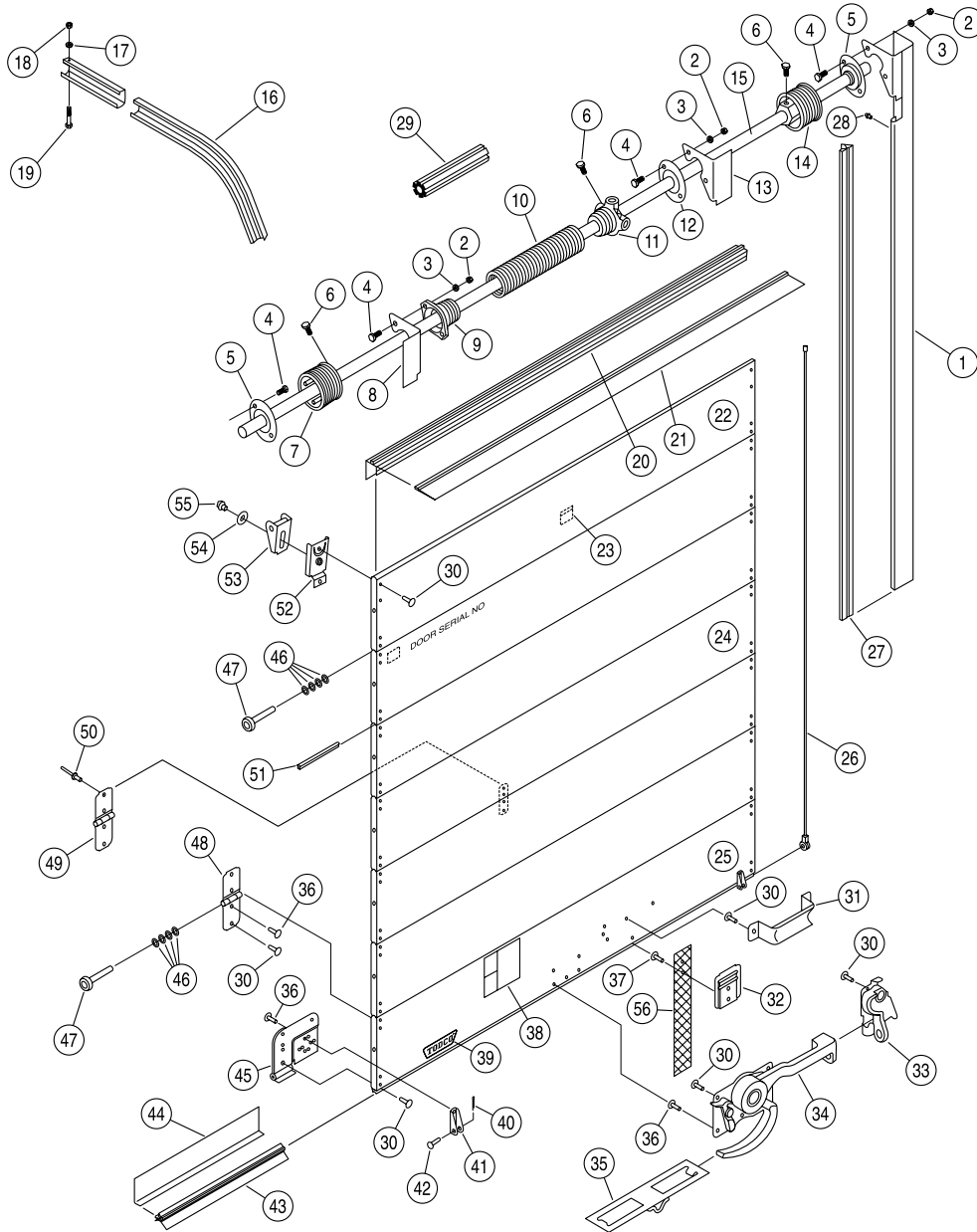
Item	Part Number	Description
1	TOD49014-111C	Vertical Track Assembly
2	TGD80352-518-OE	Hex Nut - 5/16 in.
3	TGD80322-319-OE	Lock Washer - 5/16 in.
4	89186-3[^]	Hex Head Bolt - 5/16 in. x 7/8 in.
5	TOD51038	Bearing Assembly
6	TOD80300-2414	Hex Head Set Screw - 3/8 in. x 7/8 in.
7	TOD59129-2	Cable Drum Roadside -105 in. Door Height
	TOD59157-4	Cable Drum Roadside -105 in. to 102 in. Door Height
8	TOD51036-2	Spring Anchor Bracket
9	TOD51043	Spring Anchor Plug -1-3/4 in. Inner Diameter Spring
	TOD59024	Spring Anchor Plug -2-1/2 in. Inner Diameter Spring
10	TOD51042	Spring - 1-3/4 in. Inner Diameter
	TOD59031.026X65	Spring - 2-1/2 in. Inner Diameter
11	TOD59158	Spring Winding Plug -1-3/4 in. Inner Diameter Spring
	59159[^]	Spring Winding Plug -2-1/2 in. Inner Diameter Spring
12	TOD59083	Bearing Assembly - Support Bracket
13	TOD51036-1	Support Bracket - Curbside
14	TOD59129-1	Cable Drum Curbside -105 in. Door Height
	TOD59157-3	Cable Drum Curbside -105 in. to 120 in. Door Height
15	TOD59290-98	Counterbalance Shaft
16	TOD49702-1300	Horizontal Track Set - 130 in.
17	80322-255[^]	Lock Washer - 1/4 in.
18	80352-420[^]	Hex Nut - 1/4 in.
19	80105-414[^]	Hex Head Bolt - 1/4 in. x 1-3/4 in.
20	89100-2[^]	Drive Rivet - 3/16 in. x 15/32 in.
21	TOD70001	Head Seal Assembly
22	TOD69790X96	Retainer - Head Seal
23	TOD69718X96	Head Seal
24	70319[^]	Warning Sticker - Counterbalance
25	TOD69770	Head Seal Assembly
26	TOD61403	Retainer - Head Seal
27	TOD61402	Head Seal
28	29929.1[^]	Top Panel
29	TOD29929.2-15X95.6	Intermediate Panel
30	TOD29929.3-15X95.6	Bottom Panel

Item	Part Number	Description
31	TOD51044PR	Cable Assembly - 110 in. LG. -100 in. Door Height
	TOD59004PR	Cable Assembly - 115 in. LG. -100 in. to 105 in. Door Height
	TOD59003PR	Cable Assembly - 130 in. LG. -105 in. to 120 in. Door Height
32	TOD61390	Side Seal - Pair
33	TOD89210-0023	Rivet - 23/32 in. LG.
34	TOD61401	Lift Handle
35	TOD69832	Pull Strap Retainer
36	TOD80844-1408	Pull Strap -30 in. Straight Standard
37	TOD69572	Keeper Assembly
38	TOD69571	Security Lock Assembly -Standard
	TOD70223	Security Lock Assembly -Offset Lever Arm
39	89210-0026[^]	Rivet - 13/16 in. LG.
40	TOD70093	Catch Box
41	TOD89210-0032	Rivet - 1 in. LG.
42	70318[^]	Warning Sticker - Safety Notice
43	69793[^]	Name Plate
44	TGD80401-316	Cotter Pin - 3/32 in. Diameter
45	TOD61204	Cable Anchor Bracket
46	TOD61026	Cable Anchor Pin
47	TOD70497	Bottom Seal
48	TOD70498	Bottom Angle
49	70493[^]	Bottom Fixture - Complete
50	TOD61174	Roller
51	TOD80020	Spacer Washer - Roller
52	80015-0032[^]	Step Bolt - 1/4 in. x 1 in.
53	TOD70514	End Hinge Assembly - Flush Mount
54	TOD70159	Center Hinge
55	TOD69432	Base - Adjustable Top Fixture
56	TOD69431	Slide - Adjustable Top Fixture
57	80302-2436[^]	Flat Washer - 3/8 in.
58	TOD89049	E-Lok Bolt - 3/8 in.
59	TOD59092-30	Filler Plug - 2-1/2 in. Inner Diameter Spring
60	89100-1[^]	Drive Rivet - 3/16 in. x 9/32 in. LG.
61	70496[^]	Panel Tongue Insert
62	TOD69433	Adjustable Top Fixture - Complete
63	TGD89231-3-OE	Hex Nut - 5/16 in.-18
64	70492[^]	Bottom Fixture Roller Cover
65	70491[^]	Bottom Fixture Base
66	TGD89231-2-OE	Hex Nut - 1/4 in.-20
67	70161[^]	Roller Hinge Cover - Flush Mount
68	70160[^]	End Hinge Assembly - Flush Mount

[^]Part included for reference only.

Todco PolarGuard® 1-1/8 in.

Model - Exploded View



DOR

OHD / Overhead Doors

TODCO



Todco PolarGuard® 1-1/8 in.

Components

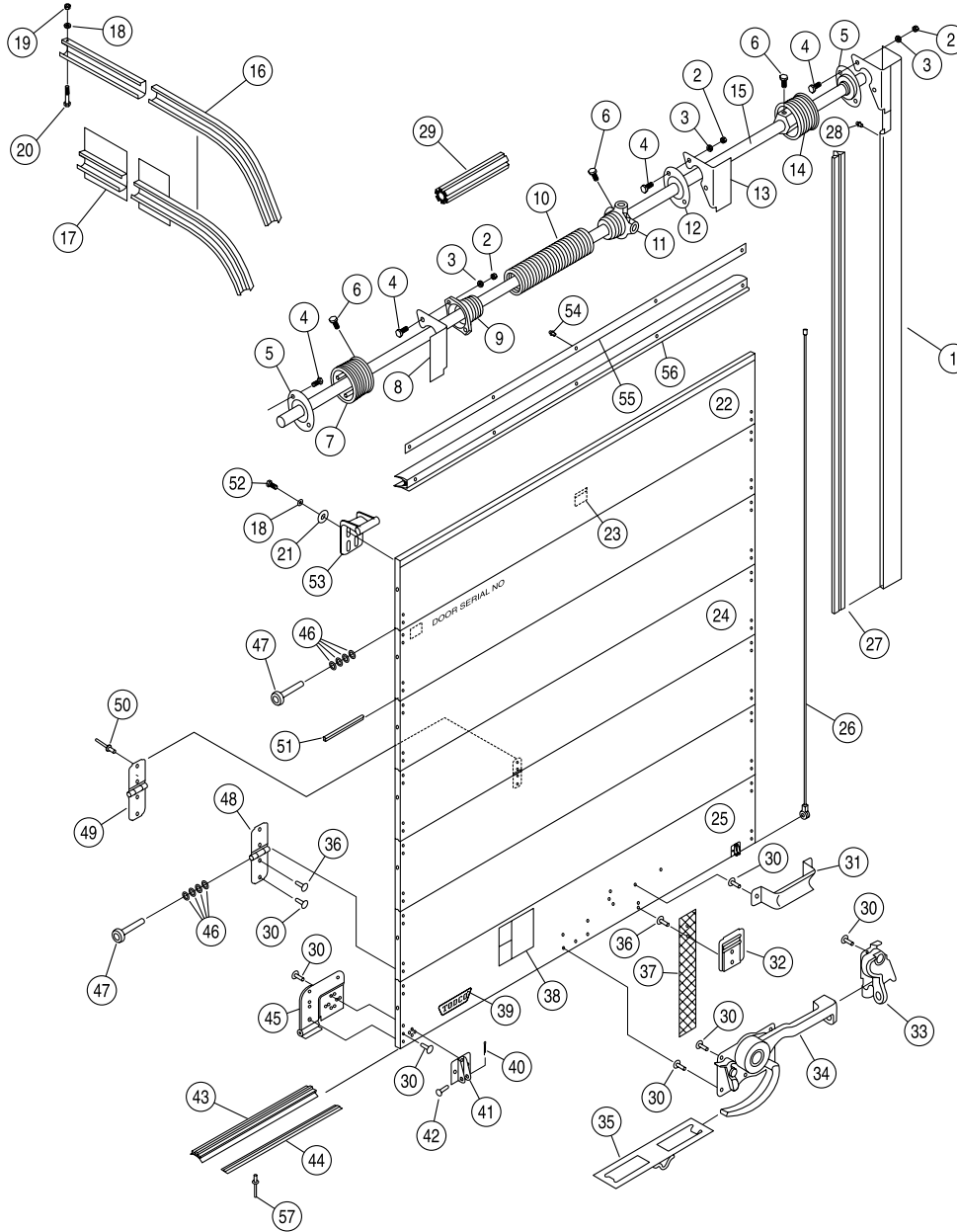
Item	Part Number	Description
1	TOD49593-111C	Vertical Track Assembly
2	TGD80352-518-OE	Hex Nut - 5/16 in.
3	TGD80322-319-OE	Lock Washer - 5/16 in.
4	89186-3[^]	Hex Head Bolt - 5/16 in. x 7/8 in.
5	TOD51038	Bearing Assembly
6	TOD80300-2414	Hex Head Set Screw - 3/8 in. x 7/8 in.
7	TOD59129-2	Cable Drum Roadside -105 in. Door Height
	TOD59157-4	Cable Drum Roadside -105 in. to 120 in. Door Height
8	TOD51036-2	Spring Anchor Bracket
9	TOD51043	Spring Anchor Plug -1-3/4 in. Inner Diameter Spring
	TOD59024	Spring Anchor Plug -2-1/2 in. Inner Diameter Spring
10	TOD51042	Spring - 1-3/4 in. Inner Diameter
	TOD59031.0262X65	Spring - 2-1/2 in. Inner Diameter
11	TOD59158	Spring Winding Plug -1-3/4 in. Inner Diameter Spring
	59159[^]	Spring Winding Plug -2-1/2 in. Inner Diameter Spring
12	TOD59083	Bearing Assembly Support Bracket
13	TOD51036-1	Support Bracket - Curbside
14	TOD59129-1	Cable Drum Curbside -105 in. Door Height
	TOD59157-3	Cable Drum Curbside -105 in. to 120 in. Door Height
15	TOD59290-98	Counterbalance Shaft
16	TOD49702-1300	Horizontal Track Set - 130 in.
17	80322-255[^]	Lock Washer - 1/4 in.
18	80352-420[^]	Hex Nut - 1/4 in.
19	80105-414[^]	Hex Head Bolt - 1/4 in. x 1-3/4 in.
20	TOD70083-1880	Top Cap
21	TOD69718X96	Head Seal - Panel Mounted
22	TOD29652-15	Top Panel with Top Cap
23	70319[^]	Warning Sticker - C/B
24	TOD29650-11X94.063	Intermediate Panel - 11 in.
	TOD29651	Intermediate Panel - 15 in.
25	TOD29640-11X96	Bottom Panel - 11 in.
	TOD29641115X89.25	Bottom Panel - 15 in.

Item	Part Number	Description
26	TOD51044PR	Cable Assembly - 110 in. Long -100 in. Door Height
	TOD59004PR	Cable Assembly - 115 in. Long -100 in. to 105 in. Door Height
	TOD59003PR	Cable Assembly - 130 in. Long -105 in. to 120 in. Door Height
27	TOD61390	Side Seal - Pair
28	89100-1[^]	Drive Rivet - 3/16 in. x 9/32 in.
29	TOD59092-30	Filler Plug -2-1/2 in. Inner Diameter Spring
30	TOD89291-0044	Rivet - 1-3/8 in. Stainless Steel
	TOD80015-0052	Step Bolt - 1/4 in. x 1-5/8 in.
31	TOD61401	Lift Handle
32	TOD69832	Pull Strap Retainer
33	TOD69572	Keeper Assembly
34	TOD69571	Security Lock - Standard
	TOD70223	Security Lock - Offset Lever Arm
35	TOD70093	Catch Box
36	89291-0048[^]	Rivet - 1-1/2 in.
37	TOD89291-0052	Rivet - 1-5/8 in.
38	70318[^]	Warning Sticker - Safety Notice
39	69793[^]	Name Plate
40	TOD80401-316	Cotter Pin - 3/32 in.
41	TOD61204	Cable Anchor Bracket
42	TOD61026	Cable Anchor Pin
43	TOD70084.3072	Bottom Seal
44	TOD69110.3072	Bottom Angle
45	TOD70082-2	Bottom Fixture - Roadside
	TOD70082-1	Bottom Fixture - Curbside
46	TOD80020	Space Washer - Roller
47	TOD69162	Roller - Sealed, 1 in. Stl
48	TOD69035	End Hinge
49	TOD61196	Center Hinge
50	TOD89113-1	Blind Rivet - 1/4 in. x 1/4 in. Grip
51	TOD69989	Joint Seal
52	TOD69432	Base - Adjustable Top Fixture
53	TOD69431	Slide - Adjustable Top Fixture
54	80302-2436[^]	Flat Washer - 3/8 in.
55	TOD89049	E-Lok Bolt - 3/8 in.
56	TOD80844-1408	Pull Strap - 44 in. Straight Standard

[^]Part included for reference only.

Todco PolarGuard® 2-1/2 in.

Model - Exploded View



DOR

OHD / Overhead Doors

TODCO



Todco PolarGuard® 2-1/2 in.

Components

Item	Part Number	Description
1	TOD49312-113C	Vertical Track Assembly
2	TGD80352-518-OE	Hex Nut - 5/16 in.
3	TGD80322-319-OE	Lock Washer - 5/16 in.
4	89186-3[^]	Hex Head Bolt - 5/16 in. x 7/8 in.
5	TOD51038	Bearing Assembly
6	TOD80300-2414	Hex Head Set Screw - 3/8 in. x 7/8 in.
7	TOD59129-2	Cable Drum Roadside -105 in. Door Height
	TOD59157-4	Cable Drum Roadside -105 in. to 102 in. Door Height
8	TOD51036-2	Spring Anchor Bracket
9	TOD51043	Spring Anchor Plug -1-3/4 in. Inner Diameter Spring
	TOD59024	Spring Anchor Plug -2-1/2 in. Inner Diameter Spring
10	TOD51042	Spring - 1-3/4 in. Inner Diameter
	59031[^]	Spring - 2-1/2 in. Inner Diameter
11	TOD59158	Spring Winding Plug -1-3/4 in. Inner Diameter Spring
	59159[^]	Spring Winding Plug -2-1/2 in. Inner Diameter Spring
12	TOD59083	Bearing Assembly Support Bracket
13	TOD51036-1	Support Bracket - Curbside
14	TOD59129-1	Cable Drum Curbside -105 in. Door Height
	TOD59157-3	Cable Drum Curbside -105 in. to 120 in. Door Height
15	TOD59290-98	Counterbalance Shaft
16	TOD49702-1300	Horizontal Track Set - Upper
17	TOD49101-1300	Horizontal Track Set - Lower
18	80322-255[^]	Lock Washer - 1/4 in.
19	80352-420[^]	Hex Nut - 1/4 in.
20	80105-414[^]	Hex Head Bolt - 1/4 in. x 1-3/4 in.
21	80302-1720[^]	Flat Washer - 1/4 in.
22	TOD29558.000	Top Panel with Top Cap
23	70318[^]	Warning Sticker
24	TOD29556.0000	Intermediate Panel - 12 in.
	TOD29557.0000	Intermediate Panel - 15 in.
25	29575-12[^]	Bottom Panel - 12 in.
	TOD29575-15	Bottom Panel - 15 in.

Item	Part Number	Description
26	TOD51044PR	Cable Assembly - 110 in. Long -100 in. Door Height
	TOD59004PR	Cable Assembly - 115 in. Long -100 in. to 105 in. Door Height
	TOD59003PR	Cable Assembly - 130 in. Long -105 in. to 120 in. Door Height
27	TOD61390	Side Seal - Pair
28	89100-1[^]	Drive Rivet - 3/16 in. x 9/32 in.
29	TOD59092-30	Filler Plug -2-1/2 in. Inner Diameter Spring
30	89210-0090[^]	Rivet - 2-13/16 in.
	TOD80015-0096	Step Bolt - 1/4 in. x 3 in.
31	TOD61401	Lift Handle
32	TOD69832	Pull Strap Retainer
33	TOD69572	Keeper Assembly
34	TOD69571	Security Lock Assembly - Standard
	TOD70223	Security Lock Assembly - Offset Lever Arm
35	TOD70093	Catch Box
36	TOD89210.0092	Rivet - 2-7/8 in.
37	TOD80844-1408	Pull Strap - 30 in. Straight Standard
38	70318[^]	Warning Sticker - Safety Notice
39	69793[^]	Name Plate
40	TGD80401-316	Cotter Pin - 3/32 in.
41	TOD59193	Cable Anchor Bracket
42	TOD61026	Cable Anchor Pin
43	TOD69987	Bottom Seal 97 in.
44	TOD69988	Bottom Seal Retainer 97 in.
45	TOD69986-2	Bottom Fixture - Roadside
	TOD69986-1	Bottom Fixture - Curbside
46	TOD80020	Space Washer - Roller
47	TOD69162	Roller - Sealed
48	TOD69035	End Hinge
49	TOD61196	Center Hinge
50	TOD89113-1	Blind Rivet - 1/4 in. x 1/4 in.
51	TOD69989	Joint Seal
52	80105-408[^]	Hex Head Bolt - 1/4 in. x 1 in.
53	TOD69265	Top Fixture
54	89100-2[^]	Drive Rivet - 3/16 in. x 15/32 in.
55	TOD61403	Retainer - Head Seal 96 in.
56	TOD70135-96	Head Seal 96 in.
57	TOD89271-1	Blind Rivet - 1/4 in. x 1 in.

[^]Part included for reference only.

Todco Overhead Doors & Panels

Wood Door Assemblies

	Size	Color	Additional
TOD99611-2	90 in. x 90 in.	Primer	Less Track & Operator
TOD99837-2	98 in. x 105 in.	Primer	Less Track & Operator

3/4 in. Aluminum Clad Panels

	Type	Size	Additional
TOD29020-12X98	Bottom	12 in. x 98 in.	Without Hardware
TOD29020-15X96	Bottom	15 in. x 96 in.	Without Hardware
TOD29020-15X98	Bottom	15 in. x 98 in.	Without Hardware

Wood Door Panels

	Section	Size	Color
TOD29014-11X98	Intermediate	3/4 in. x 11 in. x 98 in.	Primer
TOD29014-12X98	Intermediate	3/4 in. x 12 in. x 98 in.	Primer
TOD29014-15X98	Intermediate	3/4 in. x 15 in. x 98 in.	Primer
TOD29014-15X98PPW	Intermediate	3/4 in. x 15 in. x 98 in.	White
TOD29014-18X98	Intermediate	3/4 in. x 18 in. x 98 in.	White
TOD29018-15X98	Intermediate	3/4 in. x 15 in. x 98 in.	Aluminum
TOD29929-2-15X95.2	Intermediate	3/4 in. x 15 in. x 95-1/4 in.	White
TOD29016-1-11X98W	Bottom	3/4 in. x 11 in. x 98 in.	White
TOD29016-1-12X98	Bottom	3/4 in. x 12 in. x 98 in.	Primer
TOD29016-1-15X90	Bottom	3/4 in. x 15 in. x 90 in.	Primer
TOD29016-1-15X96	Bottom	3/4 in. x 15 in. x 96 in.	Primer
TOD29016-1-15X98	Bottom	3/4 in. x 15 in. x 98 in.	Primer
TOD29016-1-15X98W	Bottom	3/4 in. x 15 in. x 98 in.	White

Bottom Panels Includes: TOD61191 Bottom Angle
 TOD61401 Lift Handle
 TOD80844-30 Pull Strap
 TOD80840-XX Bottom Seal
 TOD61204 Cable Anchor Bracket

Todco Track

Horizontal Track - 1 in. Rollers

	Type	Size	Additional
TOD49101-1300	Set	130 in.	
TOD49513-1350	Set	135 in.	6 in. Radius
TOD49653-1300	Set	130 in.	6 in. & 10 in. Radius
TOD49702-1300	Set	130 in.	
TOD49721-1250	Set	125 in.	6 in. Radius
TOD49821-1400	Set	140 in.	
TOD49895-1404	Set	140-1/4 in.	6 in. Radius



DOR

OHD / Overhead Doors

TODCO

Todco Track

Vertical Track - 1 in. Rollers

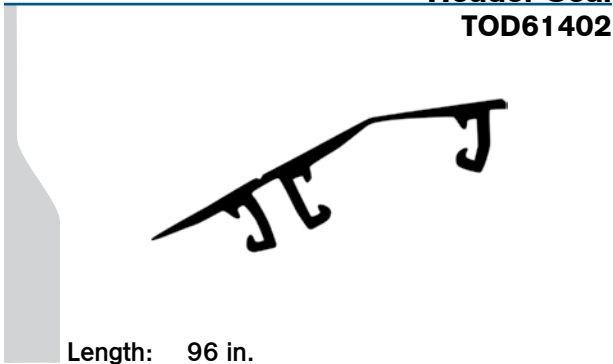
	Type	Size
TOD49014-111C	Set	111-3/4 in.
TOD49312-113C	Set	113-3/4 in.
TOD49458-1110	Set	111 in.
TOD49499-104C	Set	104-3/4 in.
TOD49593-111C	Set	111-3/4 in.



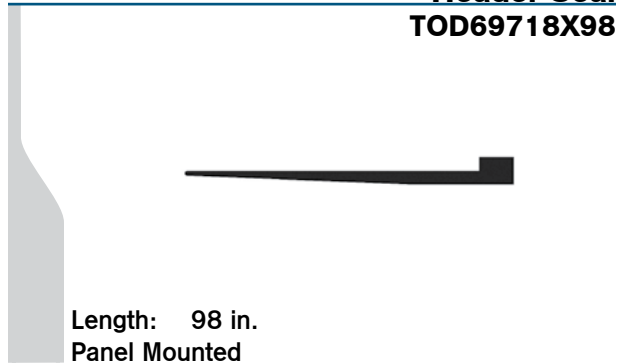
(TOD49458-1110 Shown)

Todco Seals

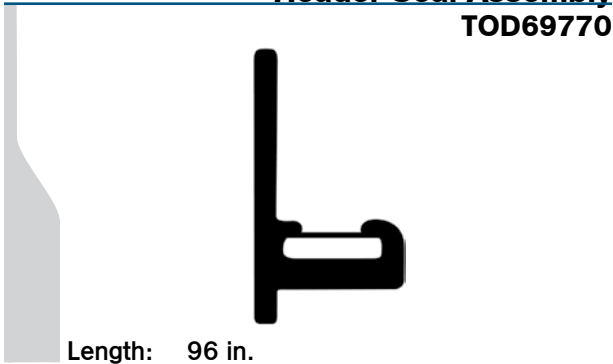
**Header Seal
TOD61402**



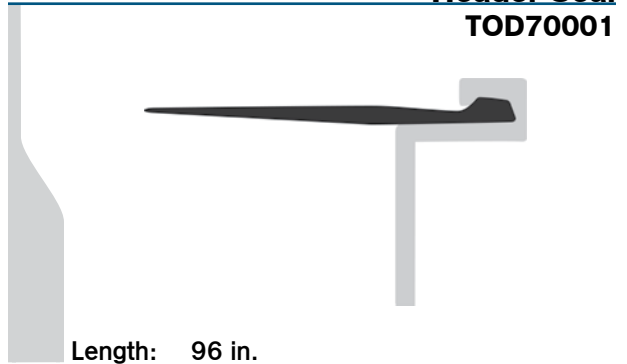
**Header Seal
TOD69718X98**



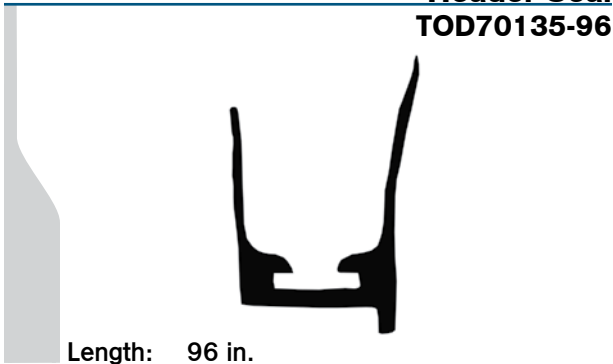
**Header Seal Assembly
TOD69770**



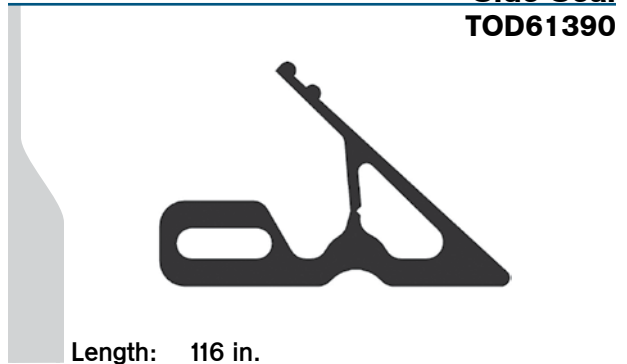
**Header Seal
TOD70001**



**Header Seal
TOD70135-96**



**Side Seal
TOD61390**



DOR

OHD / Overhead Doors



Todco Seals

Side Seal
TOD69840



Length: 110 in.

Side Seal
TOD70131



Length: 110 in.

Push-In Side Seal
TOD70338



Vinyl (1/2 in. Track Spacing)
Length: 110 in.

Bottom Seal
TOD69987



For 2-1/2 in. PolarGuard®
Length: 97 in.

Bottom Seal
TOD70084.3072



For 1-1/8 in. PolarGuard®
Length: 96 in.

Bottom Seal
TOD80840-96



Length: 96 in.

Seal Retainer
TOD61403



Length: 96 in. For: 61402

Side Seal
TOD70232



Length: 109 in.

DOR

OHD / Overhead Doors

TODCO

OHD

388

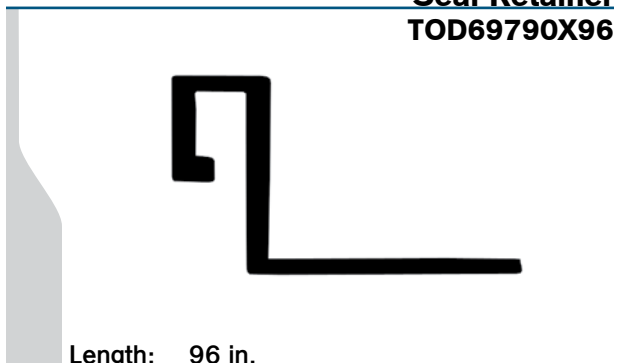
800.621.7949

= Key Items

www.AuroraParts.com

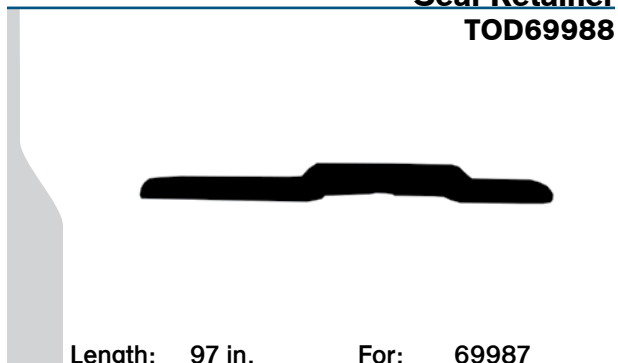
Todco Seals

**Seal Retainer
TOD69790X96**



Length: 96 in.

**Seal Retainer
TOD69988**



Length: 97 in. For: 69987

Todco Components

Cables

	Type	Eye	Length
TOD51044PR	SS	1/4 in.	110 in.
TOD20658810	Galv.	1/4 in.	110 in.
TOD59004PR	SS	1/4 in.	115 in.
TOD20658815	Galv.	1/4 in.	115 in.
TOD59003PR	SS	1/4 in.	130 in.
TOD20658813	Galv.	1/4 in.	130 in.



Operator Assemblies - Single Spring

	Spring	Rod	Door Height	Trailer Width	Additional
TOD59174	57-1/2 in.	96-1/2 in.	<105 in.	96 in.	Outside Cables, All Doors, Std. Drums
TOD59220.0357X98	57 in.	98 in.	105-120 in.	96 or 102 in.	Shallow Header, Wood & Clad Doors, Ext. Drums
TOD59230	-	96 in. - 98 in.	105-120 in.	96 in.	Ext. Drums, All Doors
TOD59292	57-1/2 in.	98 in.	<105 in.	102 in.	Std. Drums, All Doors
TOD59292-57X3X95.2	57 in.	95-1/2 in.			Counterbalance
TOD59209	57-1/2 in.	96 in.	<105 in.	96 or 102 in.	Shallow Header, Outside Cables, Wood & Clad Doors, Std. Drums



More Information

Lubrication

Make sure to lubricate the counterbalance, bearings, rollers, hinges, and locks liberally. Wipe dirt from the track. Climate conditions and door cleaning procedures will vary how often door maintenance must be performed. If your door is steam cleaned, lubrication will have to happen more often. Door equipment that is used in areas where road salt is presented, you will want to use a lock lubrication at closer intervals.

DOR

OHD / Overhead Doors



Todco Hardware

Universal Track & Operator Kit
DOR10-12



Radius: 6 in. Rollers: 1 in.
Length: 110 in. Type: Split Radius

Anchor Bracket
TOD61204



Anchor Pin
TOD61026



End Bearing
TOD51038



Support Bracket Bearing
TOD59083



Shallow Header Bearing
TOD59206



Bearing
TOD80701-2



Cable Drum

Location	
Curbside	TOD59129-1
Roadside	TOD59129-2



Aluminum
Type: Standard Up to 105 in. Door Height

DOR

OHD / Overhead Doors



Todco Hardware

Extended Cable Drum

Location
 Curbside **TOD59157-3**
 Roadside **TOD59157-4**



Aluminum
 Size: 3 in.
 For 105 - 120 in. Door Height

Bottom Fixture

TOD61352



Heavy Duty Bottom Fixture

Location
 Curbside **TOD69964-1**
 Roadside **TOD69964-2**



3/4 in. Dry Freight & WeatherTite™

Bottom Fixture

Location
 Curbside **TOD69986-1**
 Roadside **TOD69986-2**



2-1/2 in. PolarGuard®

Bottom Fixture

Location
 Curbside **TOD70082-1**
 Roadside **TOD70082-2**



1-1/8 in. PolarGuard®

End Hinge Cover

TOD70309



Black
 Type: Removeable Roller

End Hinges

	Finish	Type
TOD69035	Silver	Standard
TOD70311	Black	Removable Roller
TOD70236	Silver	Heavy Duty
TOD93494	Silver	Extended



(TOD69035)



(TOD70311)



(TOD70236)



(TOD93494)

DOR

OHD / Overhead Doors



Todco Hardware

Top Fixtures

	Type
TOD61355	Old Style, No Adjustment
TOD69265	2-1/2 in. PolarGuard®
TOD69431	Adj. Top Fixture Slide
TOD69432	Adj. Top Fixture Base
TOD69433	Adj. Top Fixture Assembly
TOD70438	Dual Roller



(TOD61355)



(TOD69265)



(TOD69431)



(TOD69432)



(TOD69433)



(TOD70438)

Center Hinge TOD61196



Heavy Duty Center Hinge TOD70238



DOR

OHD / Overhead Doors

More Information

www.MyAuroraPlus.com

Need more information on a particular trailer? Log into www.MyAuroraPlus.com for Aurora's Graphical Bill of Material (GBOM). Easily point and click through visual elements of a trailer to drill down to an individual trailer component.

Todco Hardware

Pull Handle
TOD61401



Maximum Security Latch Keeper
TOD69572



Offset Latch Assembly
TOD70223



Latch Assembly
TOD69571



Floor Plate Catch
TOD70093



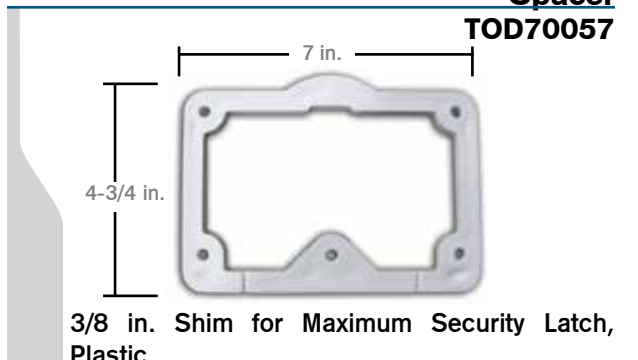
Safety Chain
TOD61229



Safety Chain Lock Assembly
TOD69020



Spacer
TOD70057



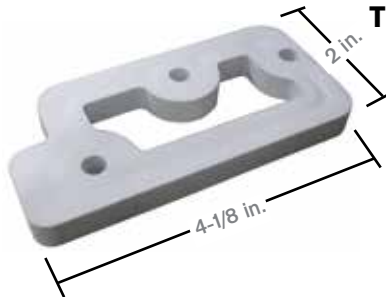
DOR

OHD / Overhead Doors



Todco Hardware

Spacer TOD70058



3/8 in. Shim for Maximum Security Keeper, Plastic

Standard Bottom Angle

Length	
96 in.	TOD61191
90 in.	TOD61191-90



Rollers

	Size	Material	Shaft	Additional
TOD69162	1 in.	Steel	3-1/2 in.	Sealed, Domestic
TOD70305	1 in.	Steel	2-3/4 in.	Precision
TOD61174	1 in.	Steel	3-1/4 in.	Non-Sealed, Domestic
TOD69983	1 in.	Neoprene		
TOD70225	2 in.	Nylon	3-3/4 in.	
TOD70224	2 in.	Steel	3 in.	Stamped



Accessories

Roller Washer
TOD80020

Springs

Length	
57 in.	TOD51042
50-1/2 in.	TOD51065



Includes: Bolt Plug & Winding Plug

Pull Strap Retainer TOD69832



Rivets

	Diameter	Length	Head	Type
TOD89210-0032	1/4 in.	1 in.	3/4 in.	Semi-Tubular
TOD89210-0036	1/4 in.	1-1/8 in.	3/4 in.	Semi-Tubular
TOD89210-0040	1/4 in.	1-1/4 in.	3/4 in.	Semi-Tubular
TOD89210-0044	1/4 in.	1-3/8 in.	3/4 in.	Semi-Tubular
TOD89210-0048	1/4 in.	1-1/2 in.	3/4 in.	Semi-Tubular



DOR

OHD / Overhead Doors

TODCO

Todco Hardware

Carriage Bolts

	Diameter	Length	Additional
TOD80015-0052	1/4 in.	1-5/8 in.	
TOD80015-0096	1/4 in.	3 in.	
TOD89029-0056	1/4 in.	-	SS
TOD89049	3/8 in.	1/2 in.	E-Lock, Top Fixture



Pull Straps

	Length
TOD80844-30	30 in.
TOD80844-38	38 in.
TOD80844-1408	44 in.



Color: Black



**LONGEST
LASTING
ROLL-UP
DOORS IN
THE INDUSTRY**

EXTRUDED ALUMINUM
ROLL-UP DOORS

LLV (LONG LIFE VEHICLE)

CITY CARGO™

FLEETSTAR™

LONG LASTING COMPONENTS



SUPEROLLER™

MAXIMUM
SECURITY LOCK

STAINLESS STEEL
CABLES

EVERWARE™
HARDWARE

FOR 60 YEARS TODCO HAS DESIGNED AND PRODUCED QUALITY LONG LASTING ROLL-UP DOORS THAT HAVE SURPASSED THE AVERAGE LIFE EXPECTANCY OF OTHER DOORS IN THE INDUSTRY.



MILES THAT MATTER

TODCO.COM | (740) 383-6376

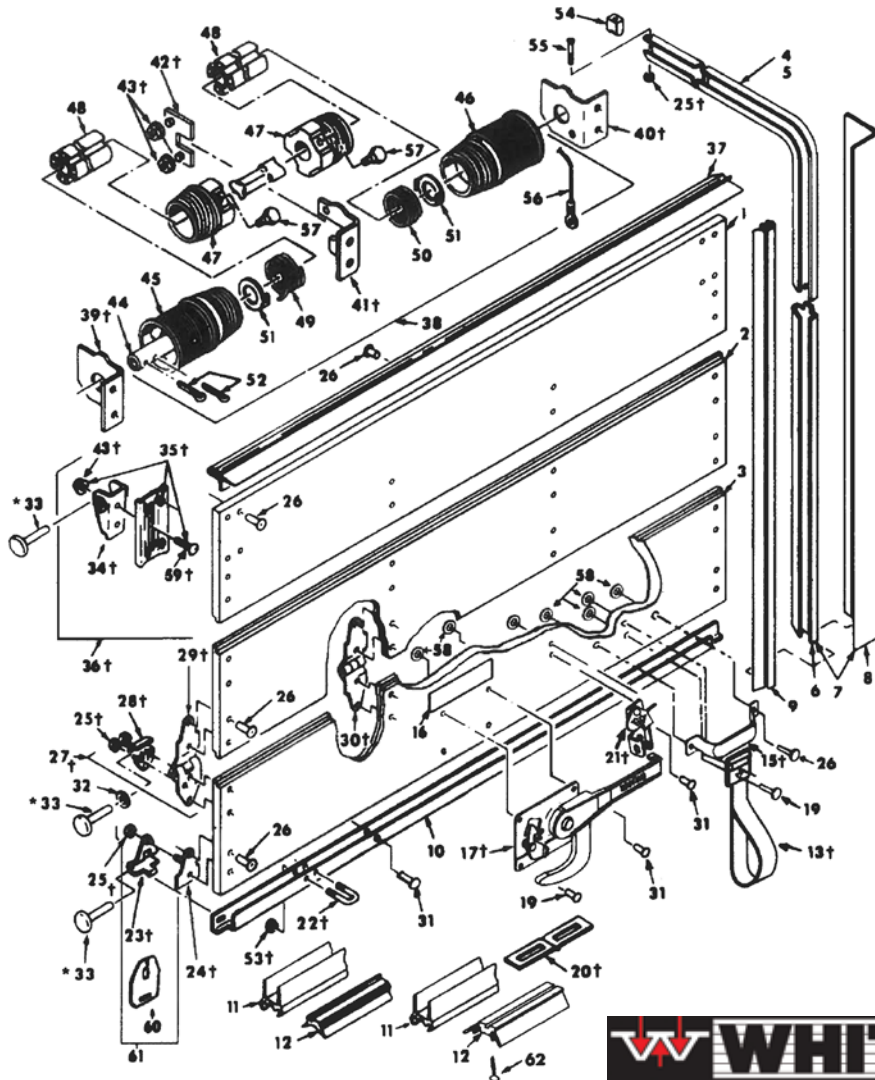
DOR

OHD / Overhead Doors



Whiting 3/4 in. Premium Dry Freight

Plastic or Aluminum Clad - Exploded View



DOR

OHD / Overhead Doors



Panels - Plastic Coated

Item	Part Number	Description
1	241-XXXXX[^]	Top Panel Complete - Plastic Ship Lap Joint *
1	WHI341-XXXXX	Top Panel Complete - Plastic T&G Joint *
2	WHI242-XXXXX	Intermediate Panel Comp. - Plastic - Ship Lap Joint *
2	WHI342-XXXXX	Intermediate Panel Comp. - Plastic - T&G Joint *
3	WHI248-XXXXX	Bottom Panel Complete w/Seal Plastic - Ship Lap Joint *
3	WHI348-XXXXX	Bottom Panel Complete w/Seal Plastic - T&G Joint *
3	WHI346-2-XXXXX	Bottom Panel Complete, Less Lock - Plastic - T&G Joint *

Panels - Aluminum

Item	Part Number	Description
1	251-XXXXX[^]	Top Panel Complete Aluminum - Ship Lap Joint *
1	351-XXXXX[^]	Top Panel Complete Aluminum - T&G Joint *
2	252-XXXXX[^]	Intermediate Panel Comp. Aluminum - Ship Lap Joint *
2	WHI352-XXXXX	Intermediate Panel Comp. Alum. - T&G Joint *
3	WHI258-XXXXX	Bottom Panel Complete w/Seal Aluminum - Ship Lap Joint *
3	WHI358-XXXXX	Bottom Panel Complete w/Seal Aluminum - T&G Joint *

[^]Part included for reference only.
 *Specify Length & Width
 T&G - Tongue & Groove

Whiting 3/4 in. Premium Dry Freight

Components

Item	Part Number	Description
4, 5	WHI11-XX	2 in. Horizontal Track (Specify Length, Radius, CS & RS)
6	WHI1031	2 in. Vertical Track CS/RS 110 in.
7	WHI2275-1	Vertical Track (86 in.) & Mounting Angle (100 in.) - Curbside
7	WHI2275-2	Vertical Track (86 in.) & Mounting Angle (100 in.) - Roadside
8	XX[^]	Mounting Angle (Specify Length & Size)
9	WHI5423	Side Seal, Vinyl, Drive in Style for 5/16 in. Track Spacing 114-3/4 in.
9	WHI5377-115	Side Seal, Vinyl, Drive in Style for 1/2 in. Track Spacing
10	WHI18-3	Bottom U Channel - 96 in. Stl
11	WHI1801-96	Bottom U Channel Seal Retainer - Aluminum 96 in.
11	WHI8280-2	Bottom U Channel Seal Retainer - Alum. - Fits 98 in.
12	WHI1676	Bottom Seal - For Use with 1801 Channel
12	WHI5735	Bottom Seal - For Use with 8280-2 Channel
13	WHI9723-XX	Pull Down Strap (Specify Length)
15	WHI1715	Grab Handle
16	3034[^]	"Do Not Move" Decal
17	WHI77	Lock Assembly, No Keeper
19	WHI10-1002-9	Rivet (1/4 x 1-5/16 in.) - 1/2 in. HD Coated Steel
19	10-1002-49[^]	Rivet (1/4 x 1-9/32 in.) - 1/2 in. HD SS
20	WHI2804	Latch Plate
21	WHI7515	Handle Keeper
22	WHI70-13	Cable Anchor - 1-1/4 U Bolt
23	WHI1021	Bottom Roller Shaft Cover
24	WHI1370	Bottom Roller Bracket Stud Plate
25	NUT-HNKU04	Keq Lock Nut - .25-20
26	WHI10-1002-3	Rivet (1/4 x 1 in.) - 3/4 in. HD Coated Steel
26	10-1002-23[^]	Rivet (1/4 x 1-1/32 in.) - 3/4 in. HD SS
27	WHI1209-1	Roller Hinge Complete w/Cover Clamp & Nuts

Item	Part Number	Description
28	WHI1208	Roller Hinge Cover Clamp
29	WHI1207	Roller Hinge
30	WHI15	Center Hinge
31	WHI10-1002-11	Rivet (1/4 x 1-1/8 in.) - 1/2 in. HD Coated Steel
31	WHI10-1002-45	Rivet (1/4 x 1-5/32 in.) - 1/2 in. HD SS
32	WHI6	Spacer Washer
33	WHI3228	2 in. Nylon Roller
33	WHI2996	2 in. Steel Roller
34	WHI6943	Top Closure Slide
35	WHI1264	Top Closure Base w/Nuts & Bolts
36	WHI6944	Top Closure Assy Complete
37	WHI4032W	Top Seal 98 in. - For 102 in. Tri Balancer Assy (Less #39-43, 52, 56) (Specify Wire Size, Spring Length & Shaft Length)
38	WHI2376-XX	
39	WHI2524	Balancer Bracket - Roadside
40	WHI2523	Balancer Bracket - Curbside
41	WHI2525	Balancer Bracket - Center
42	WHI2526	Balancer Bracket Clamp
43	WHI10-1063-1	Self Locking Nut (5/16-18)
44	WHI2528-XX	Balancer Shaft (Specify Length)
45	WHI2547	Cable Drum & Bearing Assy (2901) - Roadside
46	WHI2548	Cable Drum & Bearing Assy (2902) - Curbside
47	WHI2518	Winding Cone
48	2471[^]	Spring Spacer (Cut to Relaxed Spring Length + 4-1/4 in.)
49	WHI2704	Torsion Spring - Roadside .182 x 29 in.
50	WHI2705	Torsion Spring - Curbside .182 x 29 in.
51	WHI2522	Thrust Washer
52	WHI10-1009-8	Cotter Pin (3/16 x 1-1/2 in.)
53	10-1033-2[^]	Self Locking Nut (5/16-18)
54	WHI83	2 in. Track Stop Bumper
55	WHI10-1010-3	Bolt (1/4-20 x 2-1/2 in.)
56	WHI1-XX	1/8 in. SS Cable with 5/16 in. Eye (Specify Door Height)
57	WHI2699	Set Screw (3/8-16 x 5/8 in.)
58	10-1006-1[^]	Washer (1/4 x 3/4 in.)
59	WHI2370	Bolt (5/16 x 5/8 in.)
60	WHI5726	Wear Plate - for Doors with Bottom Seal
61	WHI1371-A	Complete Bottom Bracket w/ Cover
62	10-1068-1[^]	Drive Screw (13 x 3/4 in.) For Use with #5735 Seal

[^]Part included for reference only.
T&G - Tongue & Groove

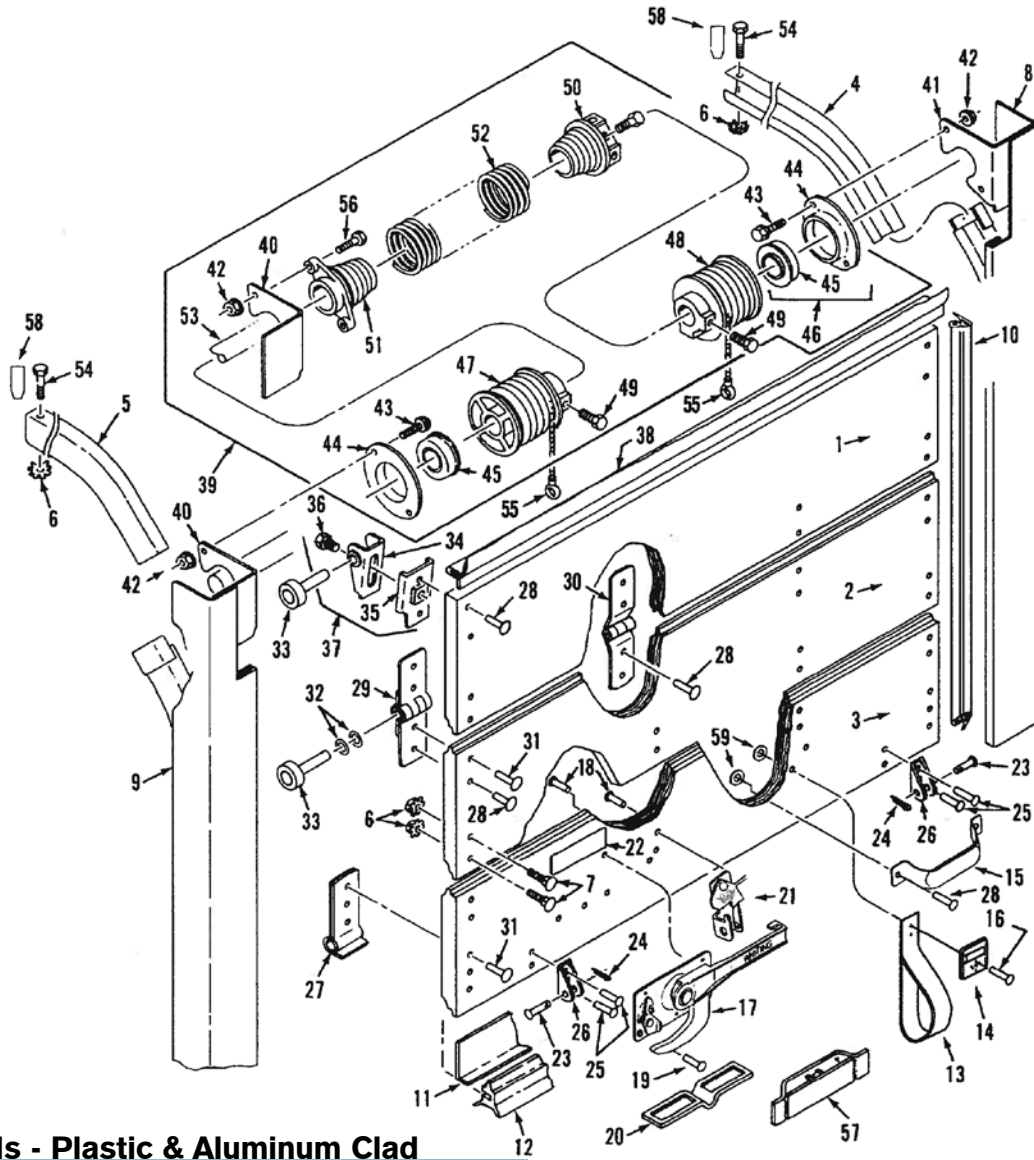
DOR

OHD / Overhead Doors

WHITING

Whiting 3/4 in. General Purpose Dry Freight

Plastic or Aluminum Clad - Exploded View



Panels - Plastic & Aluminum Clad

Item	Part Number	Description
1	WHI4441-XXX	Top Panel - Plastic - Complete*
1	4429[^]	Top Panel - Alum - Complete*
2	WHI4042-XXXXX	Intermediate Panel - Plastic - No Hardware*
2	4130[^]	Intermediate Panel - Alum - No Hardware*
3	WHI4445-XXXXX	Bottom Panel - Plastic - Complete*
3	4433[^]	Bottom Panel - Alum - Complete*
3	4043[^]	Bottom Panel - Plastic - Complete, Less Lock*



[^]Part included for reference only.
^{*}Specify Length & Width
 T&G - Tongue & Groove

DOR

OHD / Overhead Doors



Whiting 3/4 in. General Purpose Dry Freight

Components

Item	Part Number	Description
<- Panels Listed on Previous Page		
4	4053[^]	Horizontal Track - Curbside (Specify Length of Each)
5	4052[^]	Horizontal Track - Roadside (Specify Length of Each)
6	NUT-HNKU04	Keq Lock Nut 1/4 in. -20
7	BLT11-232	Step Bolt 1/4 in.-20 x 1-1/4 in. Splined
8	WHI4046	Vertical Track (1 in.), 107 in. Length, Curbside, with Mounting Angle
9	WHI4045	Vertical Track (1 in.), 107 in. Length, Roadside, with Mounting Angle
10	WHI4019-115	Side Seal - Long Legs (Specify Length)
11	4034[^]	Bottom Angle Seal Retainer - No Holes (Specify Length)
12	3257[^]	Bottom Seal (Specify Length)
13	WHI9723	Pull Strap 19 in. with #7575 Retainer
13	WHI9723-1	Pull Strap 32 in. with #7575 Retainer
13	WHI9723.42	Pull Strap 42 in. with #7575 Retainer
14	WHIT7575WHT	Pull Strap Retainer
15	WHI1715	Lift Handle
16	WHI10-1002-9	Rivet (1/4 x 1-5/16 x 1/2 in. HD) Coated Steel
17	WHI4077	Cam Lock, No Keeper
18	WHI10-1002-42	Rivet (1/4 x 1-1/16 x 3/4 in. HD) Coated Steel
19	WHI10-1002-11	Rivet (1/4 x 1-1/8 x 1/2 in. HD) Coated Steel
20	4021[^]	Latch Plate
21	WHI7515	Keeper Assembly
22	3034[^]	"Do Not Move" Decal
23	10-1004-2[^]	Cable Anchor Clevis Pin
24	10-1009-5[^]	Cotter Pin
25	WHI10-1002-9	Rivet (1/4 x 1-5/16 x 1/2 in. HD) Coated Steel
26	WHI4004	Cable Anchor Bracket
27	4003[^]	Bottom Roller Fixture
27	8813[^]	Bottom Roller Fixture 2pc. High Strength - Roadside
27	8814[^]	Bottom Roller Fixture 2pc. High Strength - Curbside
28	WHI10-1002-3	Rivet (1/4 x 1 x 3/4 in. HD) Coated Steel
28	WHI10-1002-23	Rivet (1/4 x 1-1/32 x 3/4 in. HD) SS
29	4007[^]	End Hinge
29	WHI8656	End Hinge - High Strength
30	4012[^]	Center Hinge

Item	Part Number	Description
30	WHI8654	Center Hinge - High Strength
31	WHI10-1002-36	Rivet (1/4 x 1-1/8 x 3/4 in. HD) Coated Steel
31	10-1002-43[^]	Rivet (1/4 x 1-3/32 x 3/4 in. HD) SS
32	WHI6	Spacer Washer - Roller
33	WHI4026	Roller - 1 in. Precision, Steel
33	4027[^]	Roller - 1 in. Stamped, Steel
34	4038[^]	Slide - Adj. Top Fixture
34	8652[^]	Slide - Adj. Top Fixture - High Strength
35	4051[^]	Base - Adj. Top Fixture
36	10-1073-2[^]	Bolt - Adj. Top Fixture
37	4039[^]	Adj. Top Fixture Assy - Comp.
38	WHI4032W	Top Seal 98 in., For 102 in. Trl
39	WHI4090-XXXX	Balancer Assy - Complete Less Mounting Brkts (Minus # 40, 46 & 55) (Specify Door Dim.)
40	WHI4028	Balancer Mtg Brkt - RS Center
41	4029[^]	Balancer Mtg Brkt - CS
42	WHI10-1063-1	Self-Locking Hex Nut 5/16 in. NC
43	10-1010-8[^]	Bolt - 5/16 in. NC x 5/8 in.
44	WHI4023	Bearing Retainer
45	WHI10-1025-4	Bearing
46	WHI4033	Bearing & Retainer Assy - 1 in. Ball Bearing
47	4014[^]	Cable Drum - 3 in. Dia. RS - Up to 105 in. Door
47	4128[^]	Cable Drum - 3 in. Dia. RS - Up to 144 in. Door
48	4013[^]	Cable Drum - 3 in. Dia. CS - Up to 105 in. Door
48	WHI4127	Cable Drum - 3 in. Dia. CS - Up to 144 in. Door
49	WHI2699	Hex Head Set Screw 3/8 NC x 7/8 in.
50	4050[^]	Spring Winding Plug - 1-3/4 in.
51	4025[^]	Spring Anchor Plug - 1-3/4 in.
52	WHI2701-XXXX	Torsion Spring 1-3/4 in. Dia. (Specify Size)
53	WHI3100-XX	Counterbalance Shaft (Specify Length)
54	10-1010-31[^]	Hex Head Bolt 1/4 NC x 2 in.
55	WHI4020-1	SS Cable Assy, 1/4 Eye, 115 in. - Up to 105 in. Door
56	10-1010-9[^]	Hex Head Bolt 5/16 NC x 1 in.
57	WHI4024	Catch Box
58	4204[^]	1 in. Track Stop Bumper
59	10-1006-1[^]	Washer

[^]Part included for reference only.
T&G - Tongue & Groove

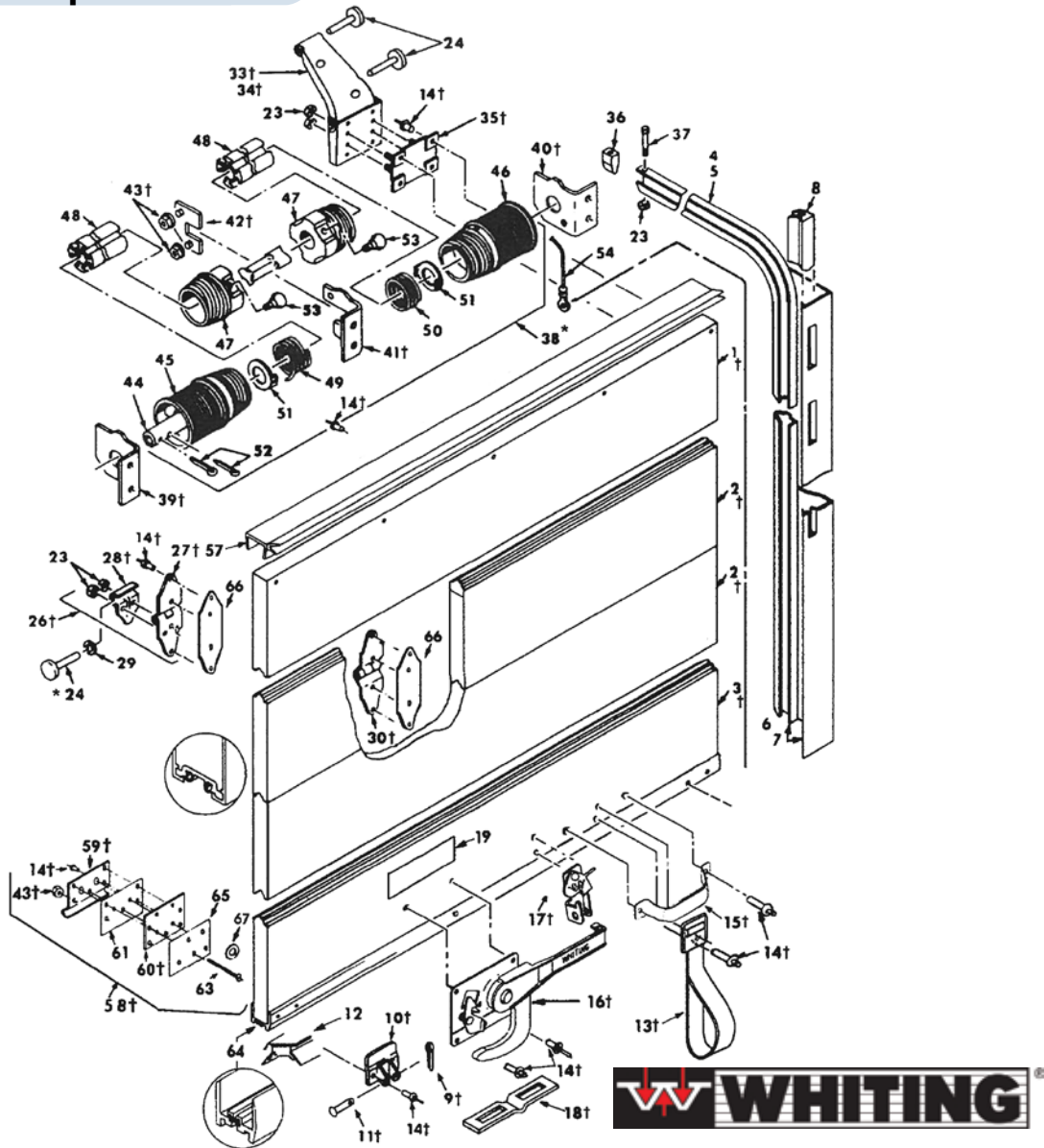
DOR

OHD / Overhead Doors

WHITING

Whiting 2-1/8 in. ColdSaver Door

Insulated - Exploded View



DOR

OHD / Overhead Doors



Panels

Item	Part Number	Description
1	WHI2239-1-X	Top Panel - Complete*
2	2236[^]	Intermediate Panel 12-1/2 in. Wide (Specify Length)
2	WHI2237-XXX	Intermediate Panel 13-1/2 in. Wide (Specify Length)
2	WHI2238-XXX	Intermediate Panel 14-1/2 in. Wide (Specify Length)

Item	Part Number	Description
3	WHI2232-1-XXX	Bottom Panel 13-1/2 in. Wide - Complete, with #77 Lock (Specify Length)
3	WHI2234-1-XXX	Bottom Panel 12-1/2 in. Wide - Complete, with #77 Lock (Specify Length)
3	WHI2235-1-XXX	Bottom Panel 14-1/2 in. Wide - Complete, with #77 Lock (Specify Length)

[^]Part included for reference only.
^{*}Specify Length & Width
 T&G - Tongue & Groove

Whiting 2-1/8 in. ColdSaver Door

Components

Item	Part Number	Description	Item	Part Number	Description
<- Panels Listed on Previous Page			35	WHI1920	Top Closure Mounting Bracket
4	WHI11-2	Horizontal Track 2 in. - CS, 127 in. Length, 8 in. Radius	36	WHI83	2 in. Track Stop Bumper
4	WHI11-4	Horizontal Track 2 in. - CS, 127 in. Length, 10 in. Radius	37	WHI10-1010-3	Bolt (1/4 in.-20 x 2-1/2 in.)
5	WHI11-3	Horizontal Track 2 in. - RS, 127 in. Length, 8 in. Radius	38	WHI2376-87	Balancer Assy (Less #39-43, 52) .182 x 29 in. Spring x 87 in. Shaft
5	WHI11-5	Horizontal Track 2 in. - RS, 127 in. Length, 10 in. Radius	39	WHI2524	Balancer Bracket - Roadside
6	WHI2270-115	Vertical Track & Mtg Angle Assy - CS, 115 in.	40	WHI2523	Balancer Bracket - Curbside
7	WHI2271-115	Vertical Track & Mtg Angle Assy - RS, 115 in.	41	WHI2525	Balancer Bracket - Center
8	WHI7470-115	Side Seal Vinyl, 115 in.	42	WHI2526	Balancer Bracket Clamp
8	WHI6589-100	Brush Side Seal (Specify Length)	43	WHI10-1063-1	Self Locking Nut (5/16 in.-18)
9	WHI10-1009-7	Cotter Pin (1/8 in. x 3/4 in.)	43	10-1063-4[^]	Self Locking Nut (5/16 in.-18) SS
9	10-1009-19[^]	Cotter Pin (1/8 in. x 3/4 in.) SS	44	WHI2528-XXX	Balancer Shaft (Specify Length)
10	WHI5803	Cable Anchor	45	WHI2547	Cable Drum & Bearing Assy - Roadside
11	WHI10-1004-1	Clevis Pin (5/16 in.-1)	46	WHI2548	Cable Drum & Bearing Assy - Curbside
11	10-1004-5[^]	Clevis Pin (5/16 in.-1) SS	47	WHI2518	Winding Cone w/Set Screws
12	WHI7145	Bottom Seal 96 in. - Snap in, For Alum Channel #7144	48	2471[^]	Spring Spacer (Cut to Relaxed Spring Length + 4-1/4 in.)
13	WHI9723-XX	Pull Down Strap Complete, with #7575 Retainer (Specify Door Height)	49	WHI2704	Torsion Spring - RS - .182 x 29 in.
14	WHI10-1054-1	Rivet - 1/4 in. Pull Type, Steel	50	WHI2705	Torsion Spring - CS - .182 x 29 in.
14	10-1054-15[^]	Rivet - 1/4 in. Pull Type, SS	51	WHI2522	Thrust Washer
15	WHI1715-10	Grab Handle	52	WHI10-1009-8	Cotter Pin (3/16 x 1-1/2 in.)
16	WHI77	Lock Assy - No Keeper	53	WHI2699	Set Screw (3/8 in.-16 x 5/8 in.)
17	WHI7515	Handle Keeper	54	WHI1-4	Door Cable, 130 in., SS, 5/16 in. Eye
18	WHI2804	Latch Plate	57	WHI5464-96	Top Seal & Cap Vinyl, 96 in.
19	3034[^]	"Do Not Move" Decal	57	8331[^]	Top Brush Seal Assy (Specify Length)
23	NUTHNKU04	Kep Lock Nut 1/4 in.-20	58	WHI5600	Bottom Roller Brkt Assy (Less # 14, 43, 63 & 65)
23	10-1063-9[^]	Flange Lock Nut 1/4 in.-20 SS	59	WHI5502	Roller Clamp
24	WHI2996	2 in. Steel Roller	60	WHI5509	Stud Plate
24	WHI3228	2 in. Nylon Roller	61	WHI5504	Wear Plate
26	WHI1209-A	Roller Hinge Assy - Complete	63	10-1010-43[^]	Screw (5/16 in.-18 x 2-3/4 in.) SS
27	WHI1207	Roller Hinge	64	WHI7144	Bottom Channel, Snap in, Alum., 96 in.
28	WHI1208	Roller Hinge Cover Clamp	65	WHI7952	Gasket
29	WHI6	Spacer Washer	66	WHI7953	Gasket
30	WHI15	Center Hinge	67	10-1006-27[^]	Stainless Washer
33	WHI1336-1	Top Closure Bracket for 10 in. Radius - Curbside			
33	WHI1336-3	Top Closure Bracket for 8 in. Radius - Curbside			
34	WHI1336-2	Top Closure Bracket for 10 in. Radius - Roadside			
34	WHI1336-4	Top Closure Bracket for 8 in. Radius - Roadside			

[^]Part included for reference only.

*Specify Length & Width
T&G - Tongue & Groove

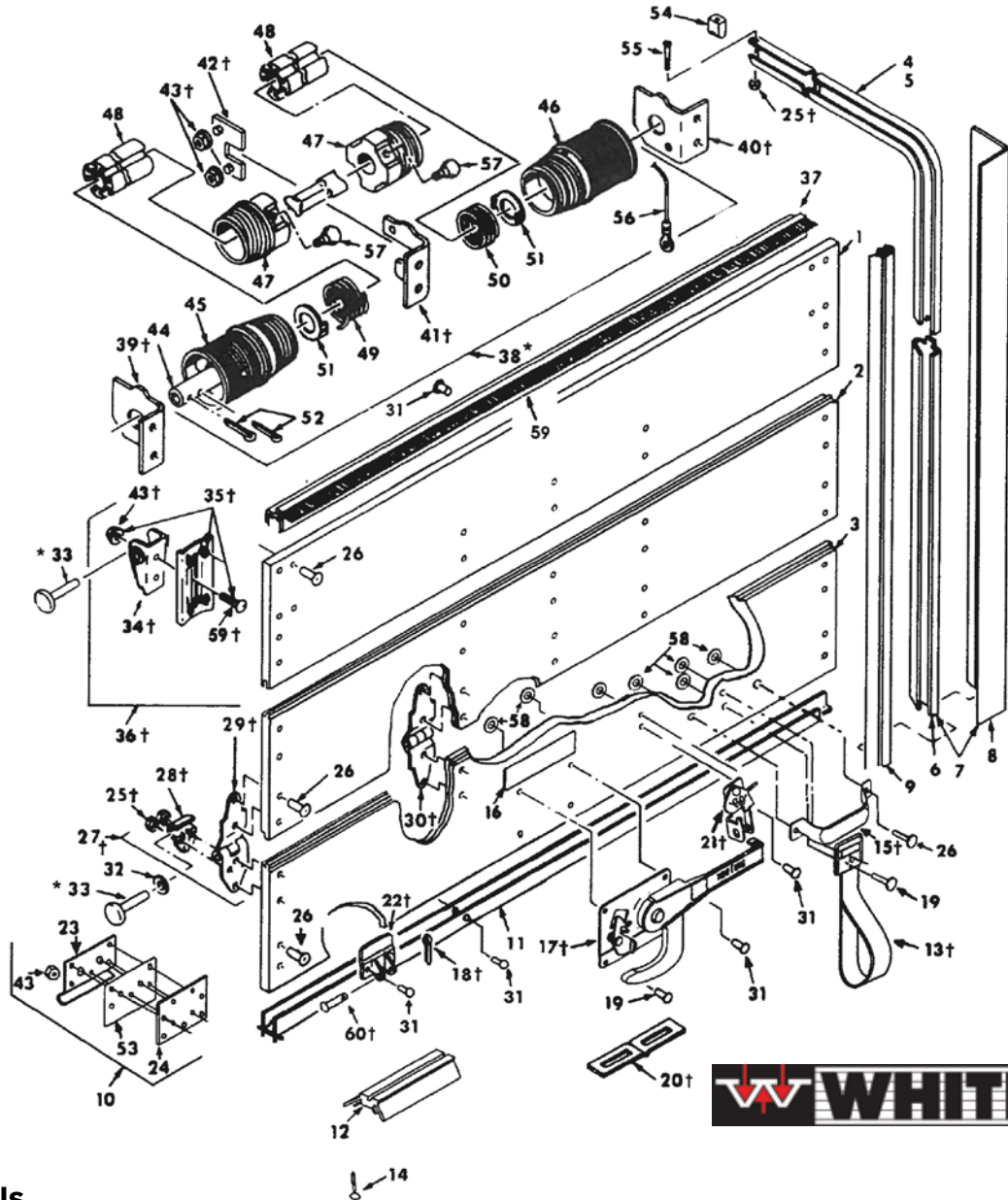
DOR

OHD / Overhead Doors



Whiting 1/2 in. PremiumPlate

Composite - Exploded View



DOR

OHD / Overhead Doors



Panels

Item	Part Number	Description
1	WHI16090-XX	Top Panel Complete (Specify Door Serial Number)
2	WHI16089-XX	Intermediate Panel (Specify Door Serial Number)
3	WHI16091-XX	Bottom Panel w/Bottom Seal & Bottom Roller Brackets (Specify Door Serial Number)
3	WHI16092-XX	Bottom Panel Complete Less Lock (Specify Door Serial Number)
3	WHI16093-XX	Bottom Panel Complete w/Lock (Specify Door Serial Number)

*Part included for reference only.
*Specify Length & Width
T&G - Tongue & Groove

Whiting 1/2 in. PremiumPlate

Components

Item	Part Number	Description
<- Panels Listed on Previous Page		
4, 5	WHI11-XX	2 in. Horizontal Track (Specify Length, Radius & RS/CS)
6	WHI1031	2 in. Vertical Track CS/RS 110 in. Straight
7	WHI2275-1	Vertical Track & Mounting Angle Assy, Curbside, 100 in. Angle, 86 in. Track
7	WHI2275-2	Vertical Track & Mounting Angle Assy, Roadside, 100 in. Angle, 86 in. Track
8	XX[^]	Mounting Angle (Specify Length & Size)
9	WHI16124-XX	Side Seal, Vinyl, Drive In Style (Specify Length)
10	WHI5600	Complete Bottom Bracket
11	WHI16094-XX	Bottom Seal Retainer - Alum, Punched for Lock & #5803 Cable Anchors (Specify Length & Cable Spacing)
12	WHI5735	Bottom Seal 98-1/4 in.
13	WHI9723-XX	Pull Down Strap (Specify Length)
14	10-1068-1[^]	Drive Screw (13 x 3/4 in.)
15	WHI1715	Grab Handle
16	3034[^]	"Do Not Move" Decal
17	WHI77	Lock Assembly, No Keeper
18	WHI10-1009-7	Cotter Pin (1/8 in. x 3/4 in.)
19	WHI10-1002-68	Rivet (1/4 x 1-1/32 in.) - 1/2 in. HD, SS
20	WHI2804	Latch Plate
21	WHI7515	Handle Keeper
22	WHI5803	Cable Anchor
23	WHI5502	Bottom Roller Cover
24	WHI5509	Bottom Roller Brkt Stud Plate
25	NUTHNKU04	Kep Lock Nut 1/4 in.-20
26	WHI10-1002-85	Rivet (1/4 x 13/16 in.) - 3/4 in. HD SS
27	WHI1209-A	Roller Hinge Assy - Complete
28	WHI1208	Roller Hinge Cover Clamp
29	WHI1207	Roller Hinge
30	WHI15	Center Hinge
31	WHI10-1002-84	Rivet (1/4 x 15/16 in.) - 1/2 in. HD SS
32	WHI6	Spacer Washer
33	WHI2996	2 in. Steel Roller
34	WHI6943	Top Closure Slide
35	WHI1264	Top Closure Base w/Nuts & Bolts
36	WHI6944	Top Closure Assy - Complete

Item	Part Number	Description
37	WHI16095-XXX	Top Seal, Alum Extrusion Only - Use with 7552 Seal (Specify Length)
38	WHI2376-XXXX	Balance Assy (Less #39-43, 52 & 56) (Specify Wire Size, Spring Length & Shaft Length)
39	WHI2524	Balancer Bracket - Roadside
40	WHI2523	Balancer Bracket - Curbside
41	WHI2525	Balancer Bracket - Center
42	WHI2526	Balancer Bracket Clamp
43	WHI10-1063-1	Self Locking Nut (5/16 in.-18)
44	WHI2528-XX	Balancer Shaft (Specify Length)
45	WHI2547	Cable Drum & Bearing Assy - Roadside
46	WHI2548	Cable Drum & Bearing Assy - Curbside
47	WHI2518	Winding Cone w/Set Screws
48	2471[^]	Spring Spacer (Cut to Relaxed Spring Length + 4-1/4 in.)
49	WHI2704	Torsion Spring - RS - .182 x 29 in. Spring
50	WHI2705	Torsion Spring - CS - .182 x 29 in. Spring
51	WHI2522	Thrust Washer
52	WHI10-1009-8	Cotter Pin (3/16 x 1-1/2 in.)
53	WHI5504	Wear Plate
54	WHI83	2 in. Track Stop Bumper
55	WHI10-1010-3	Bolt (1/4 in.-20 x 2-1/2 in.)
56	WHI1-XX	Door Cable, 1/8 in. SS with 5/16 in. Eye (Specify Door Height)
57	WHI2699	Set Screw (3/8 in.-16 x 5/8 in.)
58	WHI10-1006-9	SS Washer
59	7552[^]	Vinyl Top Seal Only - Use with 16095 Extrusion (Specify Length)
60	101004-1[^]	Clevis Pin (5/16 x 1 in.)

[^]Part included for reference only.

*Specify Length & Width
T&G - Tongue & Groove

DOR

OHD / Overhead Doors

WHITING

Whiting Components

3/4 in. Door Panels - Tongue & Groove

	Section	Size	Color	Additional
WHI3421115416X9525	Intermediate	3/4 in. x 11 in. x 95-1/4 in.	White	With Handle
WHI342-11.5X98	Intermediate	3/4 in. x 11-1/2 in. x 98 in.	Primer	Tongue & Groove
WHI16089-5-95.25	Intermediate	3/4 in. x 15 in. x 95-1/4 in.	White	Complete
WHI342-15X98	Intermediate	3/4 in. x 15 in. x 98 in.	Primer	Tongue & Groove
WHI342-15X98PPW	Intermediate	3/4 in. x 15 in. x 98 in.	White	Tongue & Groove
WHI342-15.5X98	Intermediate	3/4 in. x 15-1/2 in. x 98 in.	Primer	Tongue & Groove
WHI346-11X96	Bottom	3/4 in. x 11 in. x 96 in.	Primer	Tongue & Groove
WHI3481541696PNTFE	Bottom	3/4 in. x 11-1/2 in. x 96-1/4 in.	White	Complete
WHI345-3-11.5X98	Bottom	3/4 in. x 11-1/2 in. x 98 in.	Primer	Tongue & Groove, With Seal
WHI2235-1-96	Bottom	3/4 in. x 14-1/2 in. x 96 in.		Complete
WHI345-3-15X98PRW	Bottom	3/4 in. x 15 in. x 98 in.	Primer	Tongue & Groove, With Seal
WHI15301-1	Bottom	3/4 in. x 16 in. x 99 in.	White	Tongue & Groove, Plastic

Horizontal Track

	Location	Size	Radius
WHI11-2	Curbside	2 in. x 127 in.	8 in.
WHI11-3	Roadside	2 in. x 127 in.	8 in.
WHI11-4	Curbside	2 in. x 127 in.	10 in.
WHI11-5	Roadside	2 in. x 127 in.	10 in.



Vertical Track

	Location	Size	Angle	Additional
WHI2275-1	Curbside	2 in. x 86 in.	100 in.	With Mounting Angle
WHI2275-2	Roadside	2 in. x 86 in.	100 in.	With Mounting Angle
WHI2275-110C	Curbside	2 in. x 96 in.	110 in.	With Mounting Angle
WHI2275-110R	Roadside	2 in. x 96 in.	110 in.	With Mounting Angle
WHI2270-115	Curbside	2 in. x 110 in.	115 in.	With Mounting Angle
WHI2271-115	Roadside	2 in. x 110 in.	115 in.	With Mounting Angle
WHI1031	Universal	2 in. x 110 in.		



(WHI1031 Shown)

DOR

OHD / Overhead Doors

WHITING

Whiting Components

Operator Assemblies

	Spring	Shaft
WHI2376-200X30X96	0.200 x 30 in.	96 in.
WHI2376-218-35	0.218 x 35 in.	98 in.
WHI2376-87	0.182 x 29 in.	87 in.
WHI2376-93	0.187 x 31 in.	93 in.
WHI2376-96	0.187 x 31 in.	96 in.
WHI7176-218X33X93	0.218 x 33 in.	93 in.
WHI7176-218X33X96	0.218 x 33 in.	96 in.
WHI7176-225X31X90	0.255 x 31 in.	90 in.
WHI7176-225X31X93	0.225 x 31 in.	93 in.
WHI7176-225-31-96	0.225 x 31 in.	96 in.



Door Cables

	Eye	Length	Color
WHI4020	1/4 in.	110 in.	
WHI1-7	5/16 in.	97 in.	
WHI20653818	5/16 in.	110 in.	
WHI20653821	5/16 in.	115 in.	
WHI1-11	5/16 in.	115 in.	
WHI1-1	5/16 in.	125 in.	White
WHI1-4	5/16 in.	130 in.	



Material: Stainless Steel

Cable Drum & Bearing

Additional	Location	
2901 Stamped	Roadside	WHI2547
2902 Stamped	Curbside	WHI2548



For 2376 Operator

Cable Drum

Location	
Curbside	WHI7096
Roadside	WHI7097



For 7176 Operator

DOR

OHD / Overhead Doors



Whiting Components

Cable Anchor
WHI5803



Finish: E-Coat

Center Operator Bracket
WHI2525



Center Bracket Clamp Assembly
WHI2526



Top Closure Bracket

Type

Curbside

WHI1336-1

Roadside

WHI1336-2



Top Closure Mounting Bracket
WHI1920



Top Closure Bracket
WHI6944



Top Closure Base
WHI1264



Includes: Nuts & Bolts

Top Close Slide
WHI6943



DOR

OHD / Overhead Doors

WHITING

Whiting Components

Bottom Roller Bracket - E-Coated
WHI5600



For: ColdSaver
Location: Curbside & Roadside Assembly

Bottom Roller Bracket Assembly
WHI1371-A



Bottom Roller Shaft Cover
WHI1021



Wear Plate
WHI5504



Bottom Stud Plate
WHI1370



Center Hinge

Type	Part Number
Cargo Saver	WHI2915
-	WHI2915-1



Roller End Hinges

Part Number	Type
WHI8071	Roller End Hinge Assy, CargoSaver
WHI8071ASM	Roller End Hinge Assy (Assembled)
WHI8070	Roller End Hinge, CargoSaver, Stud Plate



(WHI8071)



(WHI8070)

DOR

OHD / Overhead Doors



Whiting Components

Roller End Hinges

	Type
WHI1209-1	Roller End Hinge
WHI1209-A	Roller End Hinge Assy
WHI1207	Roller End Hinge, Stud Plate
WHI1208	Hinge Cover for # 1207



(WHI1209-A)



(WHI1207)



(WHI1208)

Center Hinge

WHI15



Grab Handle

WHI1715



Handle Keeper

WHI7515



Outside Cam Latch

WHI77



For: WHI77

Uses WHI7515 Keeper

Offset Latch Assembly

WHI77-1



Outside Cam Lock, Uses WHI7515 Keeper

Keeper Handle

WHI7535-3



Color: White

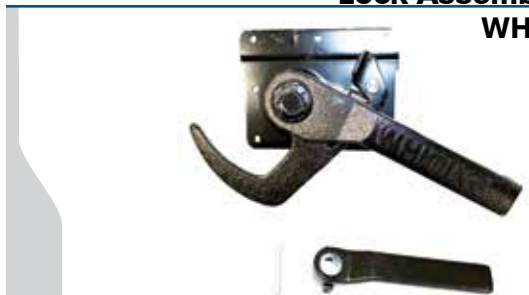
DOR

OHD / Overhead Doors



Whiting Components

Lock Assembly Kit WHI3225



Type: #77
Inside Release Handle

Latch Plate WHI2804



Pull Strap Kit WHIPULLSTRAPKIT



Pull Strap & Retainer

Length	
19 in.	WHI9723
32 in.	WHI9723-1
42 in.	WHI9723.42



Color: Black

Torsion Springs

	Location	Size	Additional
WHI2704	Roadside	0.182 x 29 in.	Use with 2376 Balancer, 2-3/16 in. ID
WHI2705	Curbside	0.182 x 29 in.	Use with 2376 Balancer, 2-3/16 in. ID
WHI2704-187X31	Roadside	0.187 x 31 in.	
WHI2705-187X31	Curbside	0.187 x 31 in.	



Rollers

	Size	Material	Shaft
WHI2996	2 in.	Steel	3 in.
WHI2996-3	2 in.	Steel	5 in.
WHI3228	2 in.	Nylon	3-3/4 in.
WHI3228.5	2 in.	Nylon	5 in.



(WHI2996)



(WHI2996-3)



(WHI3228)



(WHI3228.5)

Accessories

Roller Washer
WHI6

Whiting Components

Semi Tubular Rivets

	Diameter	Length	Head
WHI10-1002-3	1/4 in.	1 in.	3/4 in.
WHI10-1002-42	1/4 in.	1-1/16 in.	3/4 in.
WHI10-1002-36	1/4 in.	1-1/8 in.	3/4 in.
WHI10-1002-4	1/4 in.	1-3/16 in.	3/4 in.
WHI10-1002-84	1/4 in.	1-15/16 in.	1/2 in.
WHI10-1002-85	1/4 in.	13/15 in.	3/4 in.



Step Bolts

Thread	Diameter	Length	
20	1/4 in.	1-3/8 in.	WHI10-1003-150
20	1/4 in.	1-1/2 in.	WHI10-1003-11
20	1/4 in.	1-3/4 in.	WHI10-1003-2

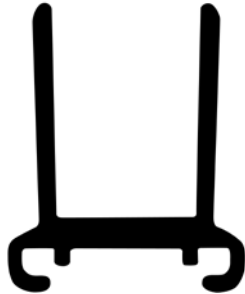


U-Bolts

Length	
1-3/4 in.	WHI70-19
1-1/4 in.	WHI70-13
1-1/2 in.	WHI70-5



Bottom U Channel WHI1675



Length: 96 in.

Bottom Seal WHI1676



Length: 96 in.

Bottom U Channel WHI1801-96



Material: Aluminum
Length: 96 in.

Bottom U Channel WHI8280-2



Material: Aluminum
Length: 96 in.

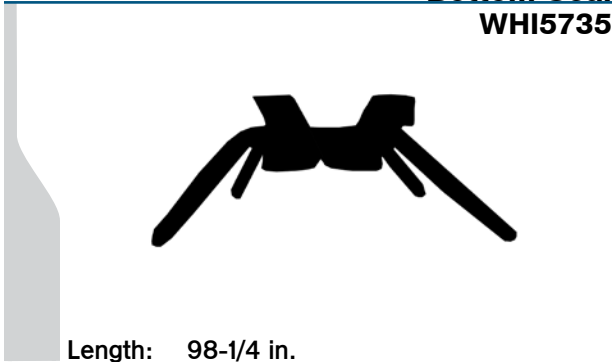
DOR

OHD / Overhead Doors

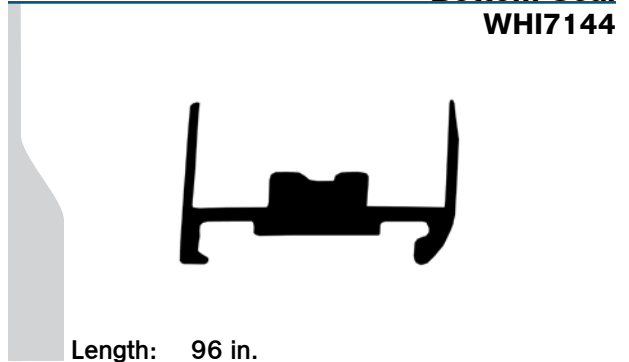
WHITING

Whiting Components

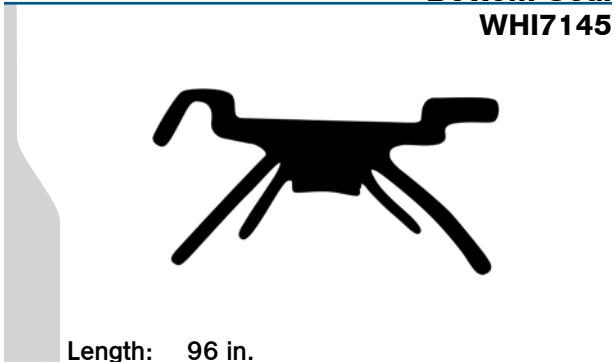
Bottom Seal
WHI5735



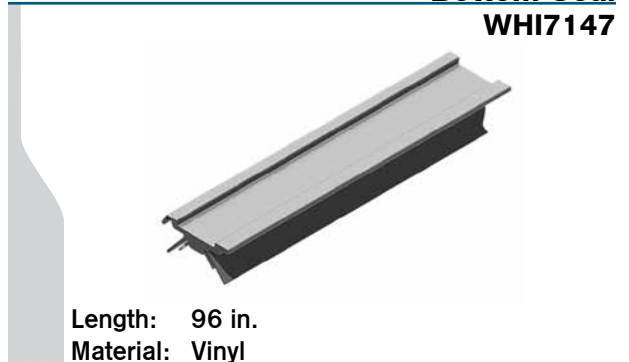
Bottom Seal
WHI7144



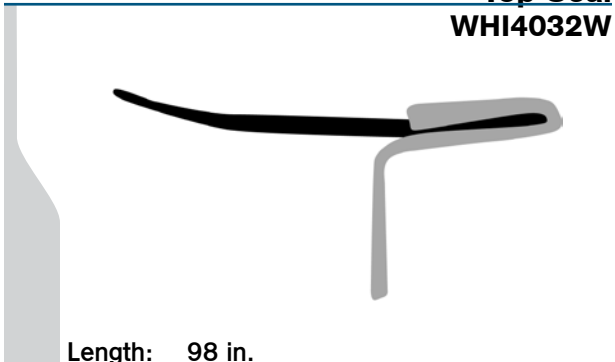
Bottom Seal
WHI7145



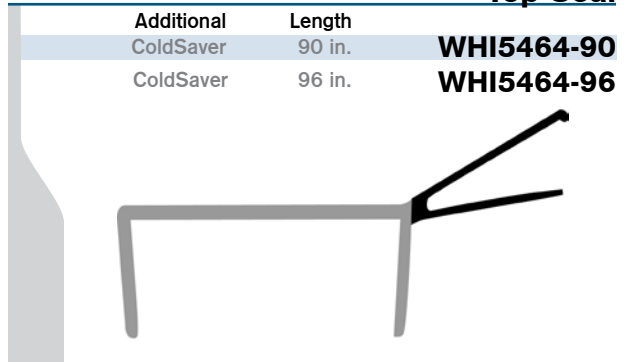
Bottom Seal
WHI7147



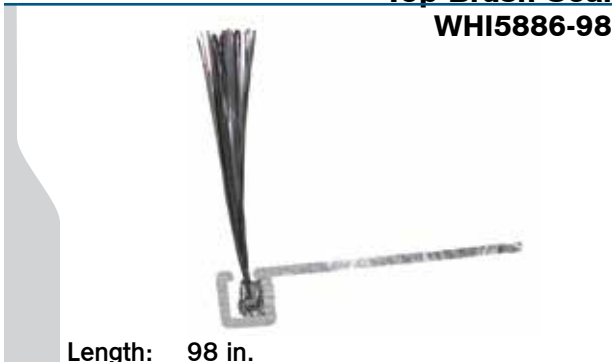
Top Seal
WHI4032W



Top Seal



Top Brush Seal
WHI5886-98



Side Seal
WHI3766



DOR

OHD / Overhead Doors



Whiting Components

Side Seal
WHI5377-115



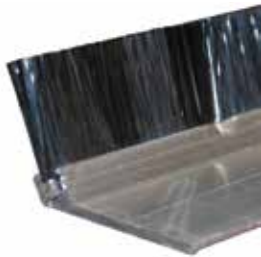
Length: 115 in.

Side Seal

Length
114-3/4 in. **WHI5423**
120 in. **WHI5423-120**



Side Seal
WHI7131



Length: 104-1/4 in.

Side Seal
WHI7470-115



For: Insulated Door
Length: 115 in.

Spring
WHI10-1012-8



Diameter: 3 in.
Size: 0.480 Wire

Forklift Plate
WHI1092



Size: 18 in.

Knurled Pin
WHI33



DOR

OHD / Overhead Doors

WHITING

Transglobal Components

Vertical Track

Location	
Curbside	TGD49996-1-2
Roadside	TGD49996-2-2



Bearing Assembly

TGD51038



Operator Assemblies

	Type	Shaft	Additional
TGD2376-1	Dual Spring	87 in.	0.182 x 2-3/16 in. x 29 in.
TGD2376-2	Dual Spring	93 in.	0.187 x 2-3/16 in. x 31 in.
TGD59292	Single Spring	96 in.	0.243 x 1-3/4 in. x 57 in.



Cable Anchor Bracket

TGD4004



Color: Black

Cable Anchor Bracket

TGD61204



Material: Zinc

Bottom Stud Plate - Bottom Roller Bracket

TGD1371



Includes: Cover

Bottom Roller Shaft Cover

TGD1021



DOR

OHD / Overhead Doors

TRANSGLOBAL

Transglobal Components

Top Closure Base
TGD1264



Roller Clamp

Material
E-Coated **TGD5502-2.5**
Stainless Steel **TGD5502-2.5-SS**



(TGD5502-2.5)

Size: 2-1/2 in.

Bottom Bracket
TGD5600



Size: 4 in.

Bottom Fixture
TGD61352



Top Fixture
TGD69431



Slide Adjustable

Adjustable Top Fixture Complete
TGD69433



Top Closure Assembly
TGD6944



Top Closure Slide
TGD6943



DOR

OHD / Overhead Doors

TRANSGLOBAL

Transglobal Components

Roller Hinge Assemblies
TGD1209-A



Complete

Bottom Hinge Kit Saver Assembly
TGD5600-BSH-R



Refer Door

Center Hinge

Type
Standard
Heavy Duty

TGD15
TGDHD15



(TGD15)

Center Hinge
TGD61196



End Hinge
TGD69035



Arm Latch
TGD70093



Lock Keeper
TGD7515



Style: Whiting

Keeper Assembly
TGD69572



DOR

OHD / Overhead Doors

TRANSGLOBAL

Transglobal Components

**Security Lock Assembly
TGD4077**



Style: Whiting

**Maximum Security Lock Assembly
TGD69571**



Color: Black E-Coat

**Security Lock Assembly
TGD77**



Style: Whiting

**Pull Strap Retainer
TGD69832**



Material: Zinc

Rollers

	Size	Material	Shaft Length	Additional
TGD60000	1 in.	Nylon		Premium
TGD61174-6	1 in.		3-1/4 in.	Long Stem
TGD61174	1 in.	Steel	3-1/4 in.	
TGD70305	1 in.	Steel	2-3/4 in.	Precision Sealed
TGD2996	2 in.	Steel	3 in.	
TGD2996-6	2 in.	Steel	6 in.	
TGD2996-HD	2 in.	Steel	3 in.	Heavy Duty, Sealed
TGD3228	2 in.	Nylon	3-3/4 in.	
TGD3228-4	2 in.	Nylon	4 in.	



(TGD61174)



(TGD2996)



(TGD2996-6)



(TGD3228)

DOR

OHD / Overhead Doors

TRANSGLOBAL

Transglobal Components

Lift Handle
TGD1715



Color: Black

Lift Handle
TGD61401



Color: Zinc

Brush Side Seal
TGD70231-PPW

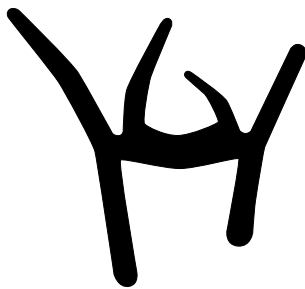


White Brush

Brush Side Seal
TGD70231-110



Bottom Seal
TGD75004-5



Door Cable
TGD912514-1B



Material: Stainless Steel
Length: 125 in.

Track Clip

	Type
TGD49819-A1	Horizontal Track
TGD49819-A1-01	Lower
TGD49819-A1-02	Upper



(TGD49819-A1)



(TGD49819-A1-01)



(TGD49819-A1-02)

DOR

OHD / Overhead Doors

TRANSGLOBAL

Doors & Accessories

Fleet Engineer Components

Panel

	Section	Size	Additional
FLT026-94355	Bottom	15-1/2 in. x 96 in.	W-Style, With Seal & Retainer

Operator Assembly

	Spring	Shaft
FLT027-24200	0.243 x 36 in.	96 in.

Spline

	Size
FLT026-40306	1/2 in.

Door Cable

Eye	Length	
5/16 in.	125 in.	FLT1-1W
5/16 in.	130 in.	FLT1-4W



Material: 7 x 19 Galvanized

Cable Anchor Bracket

FLT025-10300



Style: Todco

Rollers

	Size	Material	Shaft	Additional
FLT025-10100	1 in.	Steel	3-1/4 in.	T-Style
FLT025-10105	1 in.	Steel	3-1/4 in.	T-Style
FLT025-10102	2 in.	Steel	3 in.	
FLT025-10113	2 in.	Steel	6-1/2 in.	



(FLT025-10100)



(FLT025-10105)



(FLT025-10102)



(FLT025-10113)

DOR

OHD / Overhead Doors

FLEET ENGINEERS

**DISCOVER FOR YOURSELF THE
QUALITY OF FLEET ENGINEERS'
PRODUCT SOLUTIONS**



- Aerodynamic Solutions**
- Spray Control**
- Door Systems**
- Parts & Accessories**

CONTACT US TODAY TO LEARN MORE
FLEETENGINEERS.COM

**FLEET
ENGINEERS**
A DIVISION OF TRAMEC SLOAN

Fleet Engineer Components

Center Hinge
FLT025-10050



End Hinge
FLT025-10001



End Hinge Assembly
FLT025-10002



Center Hinge
FLT025E10051



Top Fixture
FLT025-10200



Bottom Fixture
FLT025-10250



Lock Assembly
FLT025-10501



Lock Outside Cam Lock
FLT025-10577



DOR

OHD / Overhead Doors

FLEET ENGINEERS

OHD

420

800.621.7949

= Key Items

www.AuroraParts.com

Fleet Engineer Components

Belly Box Latch Assembly
FLT024-03040



Material: Stainless Steel

Keeper
FLT025-10502



For: Recessed 1" Roller Doors

Handle Keeper
FLT025-10578



Style: Whiting Color: Black
For: Flush Mount 2" Roller Doors

Miscellaneous Components

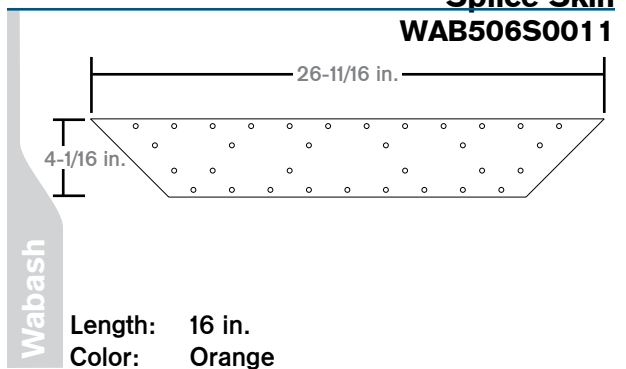
Track Protector



Roll-Up Door Pull Strap
KIN1524



Splice Skin
WAB506S0011



FLEET ENGINEERS

DOR

OHD / Overhead Doors



Composite Doors

1/2 in. DuraPlate® - Seal Included (Less Lockrods & Hinges)

	Location	Width	Height	Finish
WAB06100003	Roadside	48-1/2 in.	109-3/4 in.	White
WAB06100001	Curbside			
WAB06100056	Roadside	48-7/16 in.	110-3/4 in.	Schneider Orange
WAB06100055	Curbside			

Composite Door Blanks

DuraPlate® (No Seal)

	Depth	Width	Height	Finish
DOR6-10	1/2 in.	49 in.	110-1/2 in.	White
DOR6-13	1/2 in.	49 in.	121 in.	White
DOR6-16	10 mm.	49 in.	110-1/2 in.	White

Plymetal Door Blanks

	Thickness	Width	Height	Outside Finish	Inside Finish
DOR2-1	1/2 in.	49 in.	121 in.	0.015 in. White Aluminum	0.015 in. Mill Aluminum
DOR3-1	3/4 in.	43 in.	80 in.	White	Galvanized
DOR3-10	3/4 in.	49 in.	110-1/2 in.	0.015 in. White Aluminum	0.015 in. Mill Aluminum
DOR3-20 Import	3/4 in.	49 in.	110-1/2 in.	0.015 in. White Aluminum	0.015 in. Mill Aluminum
DOR3-31	3/4 in.	49 in.	110-1/2 in.	0.015 in. White Aluminum	24 ga. Galvanized Steel
DOR3-13	3/4 in.	49 in.	121 in.	0.015 in. White Aluminum	0.015 in. Mill Aluminum
DOR3-17	3/4 in.	49 in.	144 in.	0.015 in. White Aluminum	0.015 in. Mill Aluminum
DOR5-8	1-1/4 in.	49 in.	110-1/2 in.	26 ga. White Galvanized Steel	26 ga. Galvanized Steel

3/4 in. Universal OSB Door Blanks

	Width	Height	Outside Finish / Inside Finish
DOR3-12	49 in.	121 in.	Mirror Stainless / Mill Alum

More Information Accessories

Corner tabs are mounted to door blanks to protect the corner of the panel.

Part Number	Description
DOR1-13	outside corner tab
DOR1-14	inside corner tab
DOR1-15	flexible corner tab

DOR

Swing Doors



NUDO®

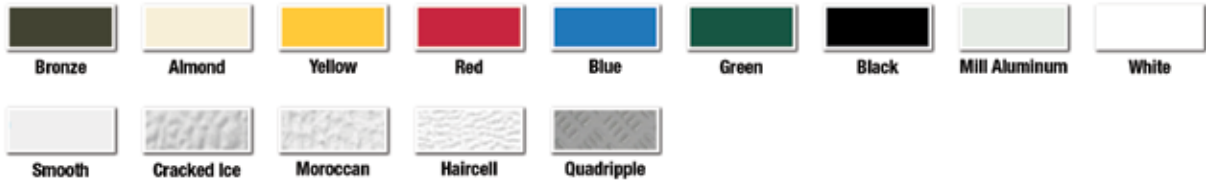
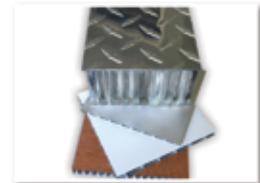
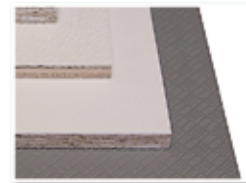
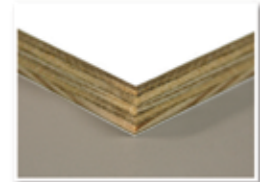
Laminated Panels With A Purpose

HIGH PERFORMANCE DOOR & FLOORING PANELS



Swing Doors

	Description
PlyMetal™ Swing Door	Plywood core sandwiched between an exterior aluminum finish and an interior mill aluminum finish
PlyMetal™ Plus Swing Door	Plywood core sandwiched between an exterior aluminum finish and an interior high-density polyethylene finish
OSBMetal™ Swing Door	Oriented strand board core sandwiched between an exterior aluminum finish and an interior mill aluminum finish
OSBMetal™ Plus Swing Door	Oriented strand board core sandwiched between an exterior aluminum finish and an interior high-density polyethylene finish



Floor Options

	Description	Substrate
NuComb-A™	Lightweight aluminum honeycomb panel	Aluminum Honeycomb
NuPoly® QuadFloor	HDPE laminated to various substrates	Plywood or OSB

Standard Sizes

49" x 110.5" 49" x 121"

Nominal Thickness Plywood

.500" .750" 1.000" 1.250"

NUDO®
A VERZATEC COMPANY

1500 Taylor Avenue
Springfield, IL 62703
www.nudo.com

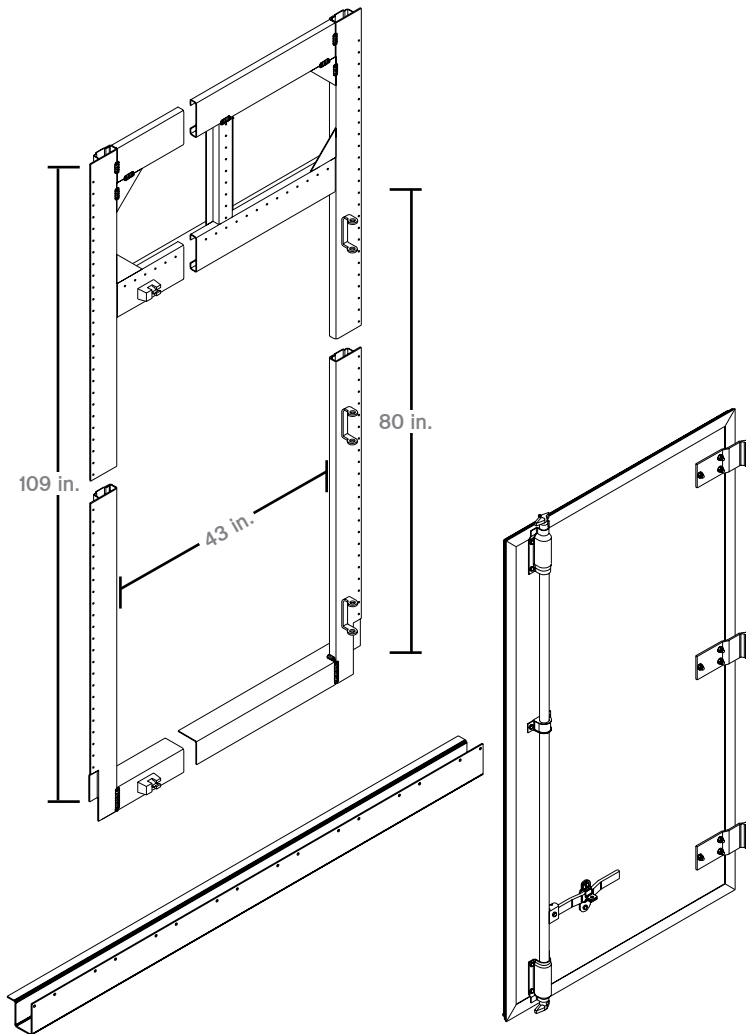
Ph: 800.826.4132
Fax: 217.528.8722
U.S.A. or Canada

Wabash Side Door Kits

Sheet & Post Trailers - Smooth Aluminum

DOR

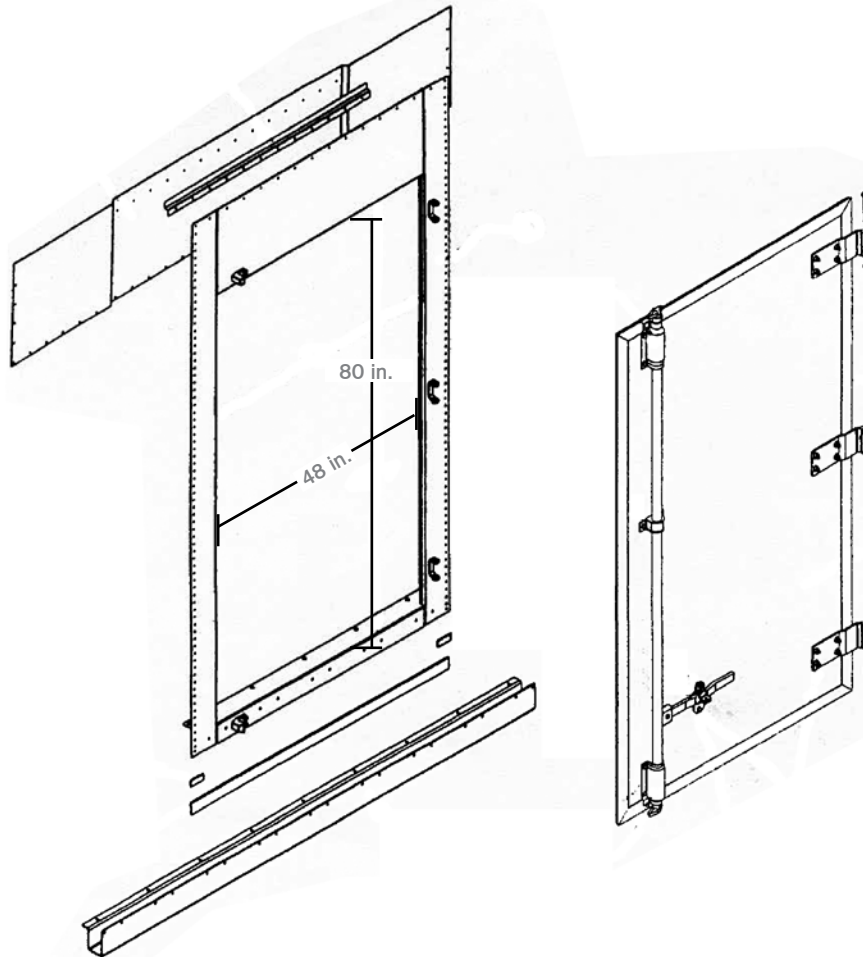
Swing Door



Part Number	Item	Includes
WAB21104380	Side Door Kit, Universal, 43 in. x 80 in.	DOR3-1 & WAB06500856
DOR3-1	Door Blank, 3/4 in. x 43 in. x 80 in., Galvanized, White	With Balloon Gasket
WAB06500856	Side Door Frame, 54-1/4 in. x 113 in. (109 in. Opening), Less Door	Hardware Shipped Loose

Wabash Side Door Kits

DuraPlate® Trailers



DOR

Swing Door



Part Number	Item	Includes
WAB06500928	Side Door Kit, Universal, 48 in. x 88 in.	06100425 & 06500926
06100425[^]	Side Door, 1/2 in. x 48 in. x 88 in., White with Gasket	
06500926[^]	Side Frame Assembly	

[^]Part included for reference only.

Wabash 1st Generation Reefer Door



Components

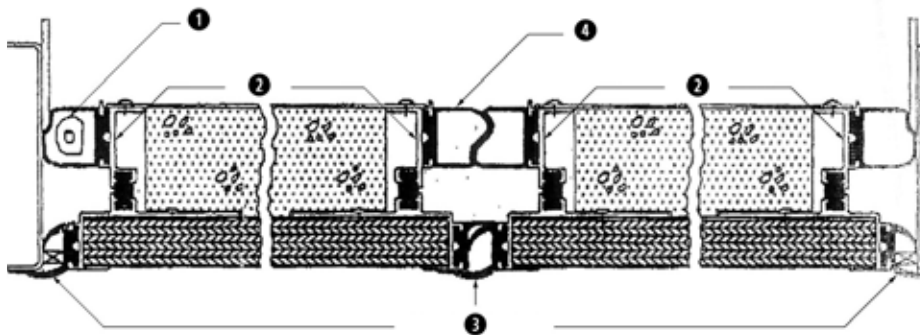
Item	Part Number	Description
1	PNL2-6	Outer Cover, 0.05 in. x 49 in. x 110 in. White, Aluminum
	PNL7-1	Outer Cover, 22 ga. x 48 in. x 112 in. Stainless Steel, 301 Bright Annealed
	PNL-UN01	Door Overlay, 0.021 in. x 48-3/4 in. x 110-1/2 in. Quilted SS, 2-3/4 in. Pattern
2	WABV0281680	Rear Door Seal, 1/2 in. x 14 ft.
3	E0801200[^]	Outer Seal Retainer
4	E0731200[^]	Inner Seal Retainer
5	E0721200[^]	Reefer Door Jam
6	WAB06300330	Inner Door Seal
7	NEC6340	Door Gasket, Neoprene
8	KEMAFS90X48X10	Inner Liner, 0.090 in. x 48 in. x 120 in.
9	WDS4-5	Plywood, 1/2 in. x 48 in. x 96 in.



[^]Part included for reference only.

NOTE: 1st & 2nd Generation Assemblies are obsolete. Parts listed are for reference only. Replace with 3rd Generation Door.

Wabash 2nd Generation Reefer Door



Components

Item	Part Number	Description
1	NEC6340	Door Gasket, Neoprene
2	6602071[^]	Seal Retainer
	NEC6927771	
4	NEC6583771	Inner Door Trim



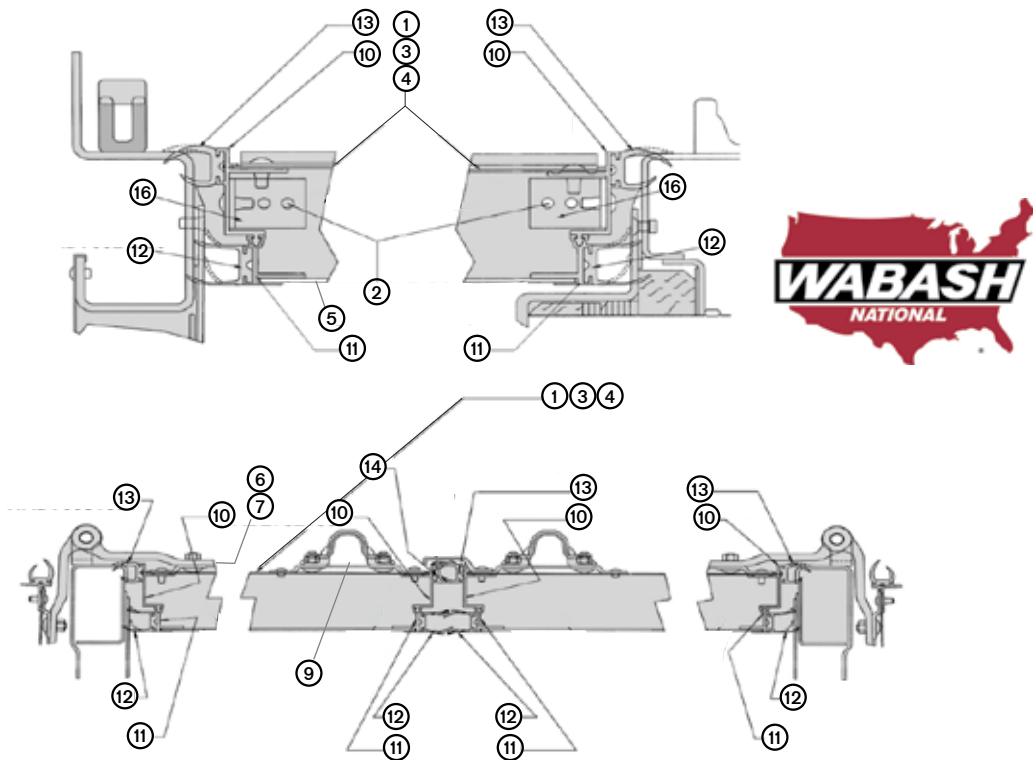
NOTE: 1st & 2nd Generation Assemblies are obsolete. Parts listed are for reference only. Replace with 3rd Generation Door.

DOR

Swing Door



Wabash 3rd Generation Reefer Door



Components

Item	Part Number	Description
1	PNL-UN01	Door Overlay, 0.021 in. x 48-3/4 in. x 110-1/2 in., Quilted SS, 2-3/4 in. Pattern
2	HUKMGLP-B6-4	Huck Fastener, 3/16 in., .062-.270, Aluminum
3	PNL2-6	Outer Cover, 0.05 in. x 49 in. x 110 in., White, Aluminum
4	PNL7-1	Outer Cover, 22 ga. x 48 in. x 112 in., Stainless Steel Mirror
5	KEMAFS90X48X10	Inner Liner, 0.090 in. x 48 in. x 120 in.
6	WAB06A00876	4 Hinge Channel, 10 ft.
7	WAB06A00877	5 Hinge Channel, 10 ft.
9	WABE4881200	Lockrod Channel, 10 ft. unpunched
10	WABE7521680	Outer Seal Retainer, 14 ft.
11	WABV0011680	Inner Seal Retainer, 14 ft. CS/RS
12	WABV0021680	Inner Seal, 14 ft. CS/RS
13	WABV0031680	Outer Seal, 14 ft. CS/RS
14	WABV0041200	Outer Seal, 120 in. RS
15	WABV0121680	Inner Seal (New Style), 14 ft. Balloon
16	WAB06A00840	Angle Bracket

More Information

Wabash 3rd Generation Doors

Hinges

The standard hinge on the TempDoor, WAB06301272 (used with the mounting channels), was implemented in June 1997. Any reefer pre-June 1997 used hinge WAB06300291.

1st & 2nd Generation Replacement

When replacing the Wabash 1st or 2nd Generation door with the 3rd Generation door, hinge butts may have to be moved and/or a piece of angle iron may need to be welded to the threshold so doors shut tightly. Both sides should be replaced at the same time.

Wabash 3rd Generation Reefer Door

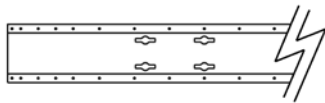
Panels & Liners

	Description
PNL-UN01	Door Overlay, 0.021 in. x 48-3/4 in. x 110-1/2 in., Quilted SS, 2-3/4 in. Pattern
PNL2-6	Outer Cover, 0.05 in. x 49 in. x 110 in., White, Aluminum
PNL7-1	Outer Cover, 22 ga. x 48 in. x 112 in., Stainless Steel
KEMAFS90X48X10	Inner Liner, 0.090 in. x 48 in. x 120 in.

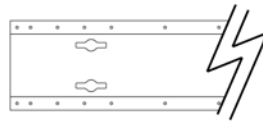


Channels

	Description
WAB06A00876	4 Hinge Channel, 10 ft.
WAB06A00877	5 Hinge Channel, 10 ft.
WABE4881200	Lockrod Channel, 10 ft. unpunched



(WAB06A00876)



(WAB06A00877)



(WABE4881200)

Seals & Retainers

	Description	Upgrade Version
WABV0021680	Inner Seal, 14 ft. CS/RS	
WABV0121680	Inner Seal (New Style), 14 ft. Balloon	WABV1081680
WABV0031680	Outer Seal, 14 ft. CS/RS	WABV1061680
WABV1071200	Outer Seal, 120 in. RS	
WABV0011680	Inner Seal Retainer, 14 ft. CS/RS	
WABE7521680	Outer Seal Retainer, 14 ft.	



(WABV0021680)



(WABV0121680)



(WABV0031680)



(WABV1081680)



(WABV1061680)



(WABV1071200)



(WABV0011680)



(WABE7521680)

DOR

Swing Door

CRANE Composites

CRANE



Corner Repair

DuraDoor Corner Kit
WAB50600021



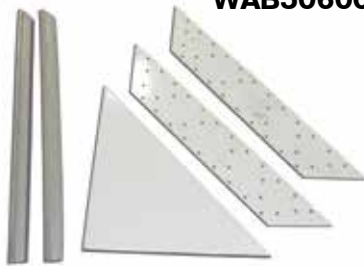
Length: 12 in.
Color: White

DuraDoor Corner Kit
WAB50600026



Length: 16 in.
Color: Orange

DuraDoor Corner Kit
WAB506000070



Length: 16 in.
Color: White
For: 3/8 in. Doors

1/2 in. DuraPlate® Repair Kits

Color	
White	WAB50600030
Orange	WAB50600031



Length: 12 in.

1/2 in. DuraPlate® Repair Kits

Color	
White	WAB50600032
Orange	WAB50600033



Length: 16 in.

3/4 in. Plymetal Repair Kit

Includes	Size	
	12 in. x 12 in.	SWD-UN04
Dual Durometer Trim	12 in. x 12 in.	SWD-UN03
	16 in. x 16 in.	SWD-UN02



Color: White

Quick Reference

Corner Tab Adhesive

Part Number	Description	Amount
WHIML2001	SEA-LOK	4 oz.



DOR

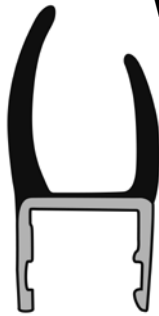
Swing Door Hardware



Seals / Gaskets / Seal Retainers

For 1/2 in. DuraPlate®

DuraPlate® Rear Door Seal
WABV0281680



Size: 1/2 in. x 168 in.

Duro Single DuraPlate® Rear Door Seal
WABV0311680



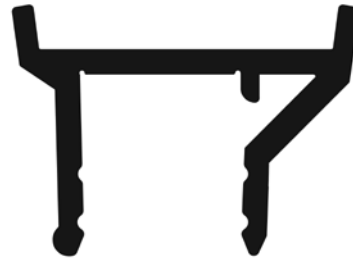
DuraPlate® Rear Door Seal
WABV0291160



Size: 1/2 in. x 116 in.

DuraPlate® Seal Retainer
WABE7611680

DuraPlate® Extrusion Retainer
WABE7411680



Length: 168 in.



Length: 168 in.

For 10 mm. DuraPlate®

DuraPlate® Door Gasket
WABV1111646



Size: 10 mm

DOR

Swing Door Hardware



Seals / Gaskets / Seal Retainers

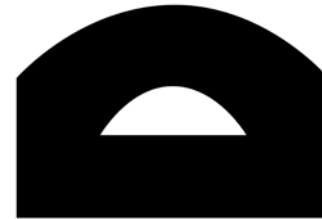
For 3/4 in. Plymetal

Door Gasket
NEC6237-871



Tru-Sealer Style
Size: 3/4 in. x 168 in.

Compression Seal
NEC6340



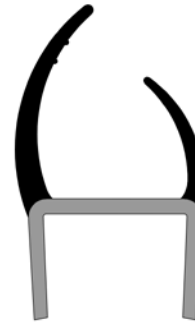
Material: Neoprene

Inner Door Trim - Reefer
NEC6583771



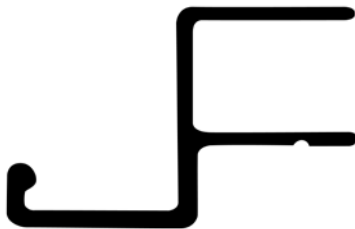
Wabash 2nd Generation
Length: 168 in.

Conventional Gasket
DOR99-4



Size: 3/4 in. x 168 in.

Offset Compression Retainer
NEC6349



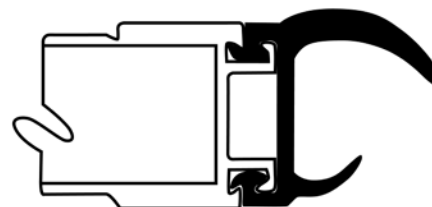
Length: 168 in.

Straight Compression Retainer
NEC6350



Tru-Sealer
Length: 180 in.

Tru-Sealer Trim & Seal Assembly
NEC6203-6237



Size: 3/4 in. x 168 in.

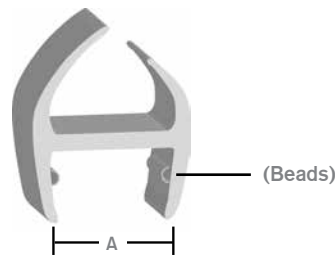
DOR

Swing Door Hardware

Seals / Gaskets / Seal Retainers

Dual Durometer Seals

	Type	A	Door Thickness	Length	Additional
DOR1-2	Premium	9/16 in.	1/2 in.	168 in.	Light Gray, With Top Ridges, Low Beads
DOR1-4	Economy			168 in.	Light Gray, No Top Ridges, Low Beads
DOR1-5	Premium			108 in.	
DOR1-6	Premium			168 in.	Light Gray, With Top Ridges, Low Beads
DOR1-6A	Fleet Loc	13/16 in.	3/4 in.	168 in.	Gray, With Top Ridges, High Beads
DOR1-7	Standard			168 in.	Gray, With Top Ridges, High Beads
DORGSKTJBH				168 in.	Light Gray, With Top Ridges, No Beads, Cross Ref - Whiting# 58R-12-14
DOR1-8	Economy	1-1/16 in.	1 in.	168 in.	
DOR1-9	Standard			168 in.	
DOR1-10	Economy	1-5/16 in.	1-1/4 in.	168 in.	
DOR1-11	Standard			168 in.	
DOR1-12	Standard	1-9/16 in.	1-1/2 in.	168 in.	



DOR

Swing Door Hardware



Great Dane Style

DOT-GD01

Cross Ref: Great Dane# 45985

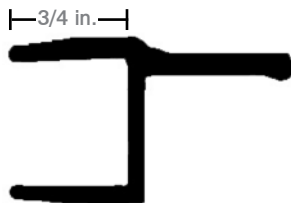


Size: 3/4 in.

Aluminum Channel

DOT-GD03

Cross Ref: Great Dane# 95583

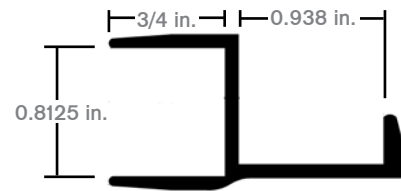


Material: Aluminum
Size: 3/4 in. x 168 in.

Aluminum Channel

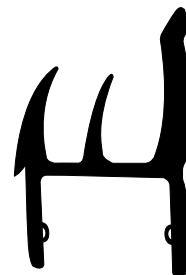
DOT-GD02

Cross Ref: Great Dane# 95573



Material: Aluminum
Size: 3/4 in. x 168 in. With Lip

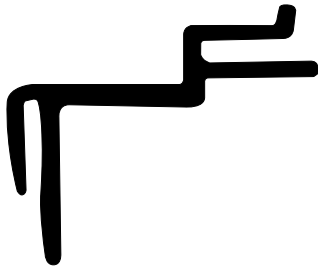
GDA61303203



Seals / Gaskets / Seal Retainers

Great Dane Style

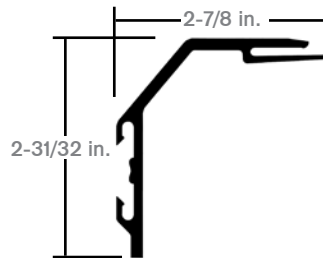
Gasket Holder
GDA61318700X110.00



Material: Plastic

Hyundai Style

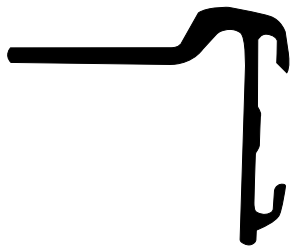
PVC Inner Door Frame
DOT-HY01



Material: Plastic
Length: 112 in.

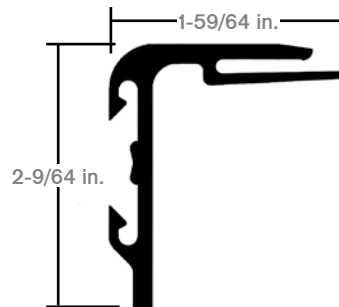
Hyundai Style

Inner Vertical
DOT-HY06



Material: PVC
Length: 108-3/16 in.

Inner Door Frame
DOT-HY33



Length: 106-1/2 in.

Trailmobile Style

Compression Door Seal
DOT-TM02

Cross Ref: Trailmobile# 90-4-1962-0-120



Material: Rubber
Length: 120 in.

DOR

Swing Door Hardware

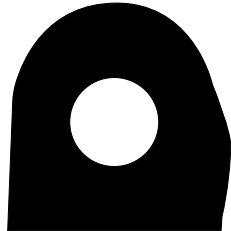


Doors & Accessories

Seals / Gaskets / Seal Retainers

Wabash

WAB06301444



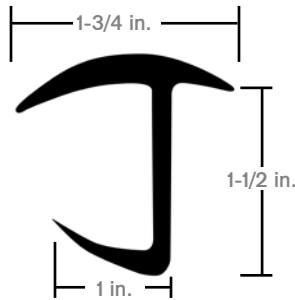
Material: Rubber
Length: Sold per Foot

Rear Panel
WABV0701120



Miscellaneous

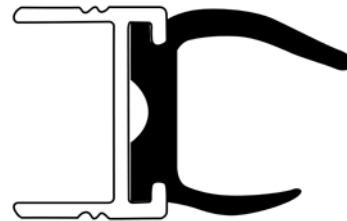
J-Type Door Gasket
BUF1404-2287



Honeycomb / New Cell

Type
Seal **NEC6927771**

Seal & Trim Assembly **NEC6927771ASSY**



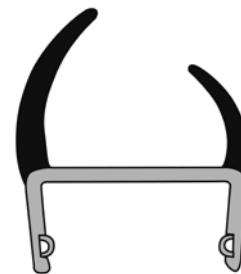
Size: 3/4 in. x 168 in.

Quick Repair Door Seal

DOR1-17

- 1 in. Door Trim for 3/4 in. Doors
- No Need to Remove the Door - Make Repairs While Door is Still on Trailer
- No Need to Remove Aluminum Trim - Prevents Door From Swelling
- Labor Time for Complete Set of Doors Reduced Significantly
- 2 Sticks per Complete Door

Size: 1 in. x 168 in.
For: 3/4 in. Door



DOR

Swing Door Hardware



Corner Tabs

Outside Corner Tab

Color
Gray **DOR1-13**
Black **DOR1-13B**



Length: 3-1/8 in.

Inside Corner Tab

DOR1-14



Color: Gray
Length: 2-9/16 in.

Flexible Corner Tab

DOR1-15



Color: Gray
Length: 3-5/8 in.

Corner Door Seal

Size
1/2 in. **NRS527250**
3/4 in. **NRS527278**



Chain Snaps

Chain

BUF1402-6856



Chain

FLT021-00050



Assembly

FLT021-00051



Approx Length: 7-1/2 in.

Attach Link

FLT021-00053



Material: Zinc Plated
Size: 1 in.

DOR

Swing Door Hardware



FLEET ENGINEERS

Chain Snaps

**Attach Link
IMXGT-1304**

Cross Ref: Wabash# 06300117



Material: Galvanized

4 Link

FRU525461



Material: Galvanized
Includes: Dog Snap

3 Link

FRUDCF3585-2



With Open Loop

Chain Style

FRUDCF5927-2



**Chain & Bracket
HLD-TM02**

Cross Ref: Trailmobile# 700-515-141



**Chain & Bracket
HLD-UT01**

Cross Ref: Utility# 03-4150-0-012



Material: Steel

IMXGT-1305

Cross Ref: Wabash# 06300118



Large Chain Loop

IMXGT-1313

Cross Ref: Wabash# 06302523



Material: Galvanized
Size: 4 in.

DOR

Swing Door Hardware

FRUEHAUF

proFIT

Chain Snaps

Snap

IMXGT-1314

Cross Ref: Wabash# 06300058



Material: Galvanized
Size: 1/2 in.

Holdback Loop

IMXGT-1317

Cross Ref: Wabash# 06302613



Material: Galvanized

Holdback Loop

IMXGT-1323



Size: 6 in.

Lash Door Holdback Set

LAS-02W-S-SET-0208



Material: Stainless Steel

Chain & Bracket

SWH-HY03

Cross Ref: Hyundai# 10001435



Holdback Kit

WAB06300270



WAB06302201



Retrofit

DOR

Swing Door Hardware



Footman Loops

EBH9611



Material: Cast
Length: 4-1/2 in.

**Anchor Handle
FLT021-00043**



Material: Steel
Length: 3-1/8 in.

**Loop Handle
FLT022-00628**



Material: Galvanized Steel
Length: 4-1/4 in.

IMXGT-1300

Cross Ref: Wabash# A1300017



Material: Galvanized
Length: 3-1/2 in.

IMXGT-1324

Cross Ref: Fleet Engineers# 022-00628



Length: 5 in.

DOR

Swing Door Hardware

FLEET ENGINEERS

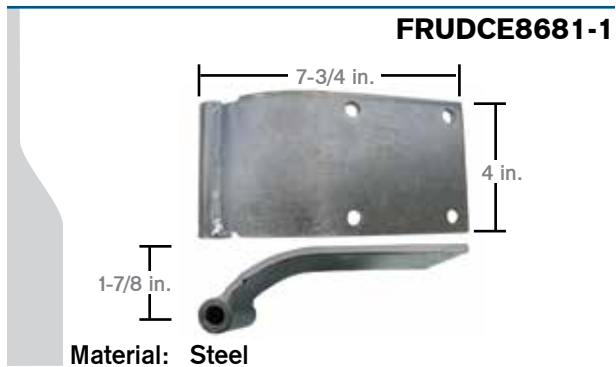
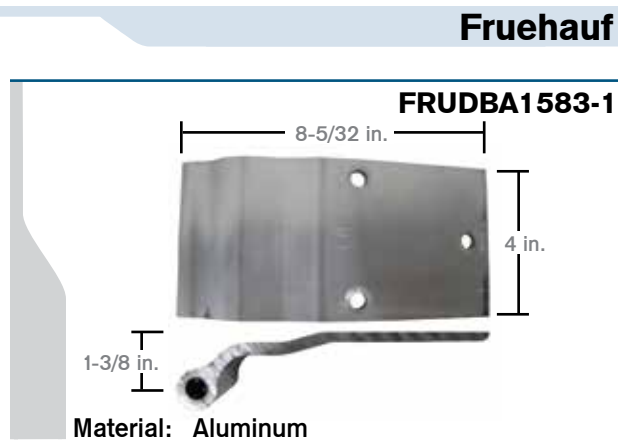
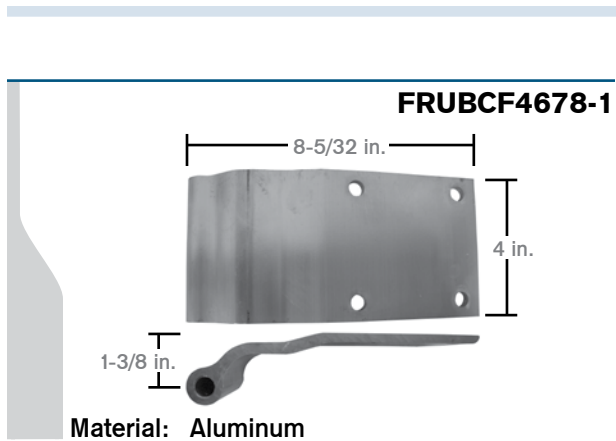
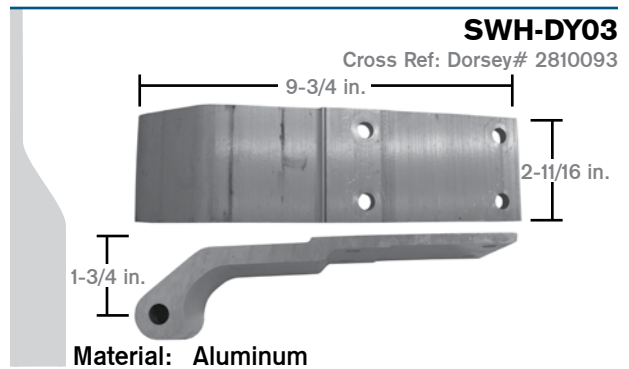
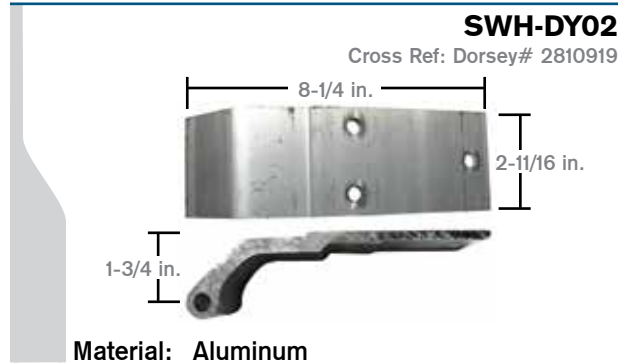
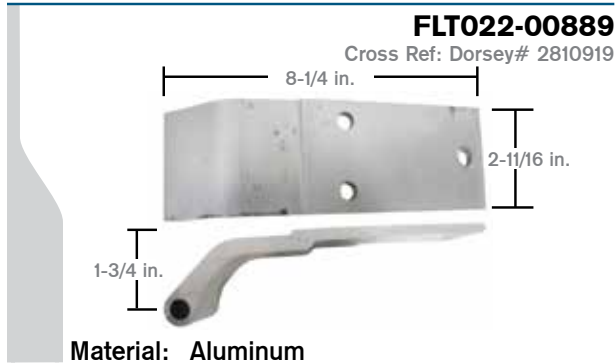
More Information

Powerbrace Hinge / Hinge Butt Finishes

Part Number Ends With:	Finish
1	Steel/Plain
5	Hot-Dip Galvanized
7	Stainless Steel

Hinges

Dorsey Style



FLEET ENGINEERS

DOR

Swing Door Hardware



Hinges

Great Dane Style

SWH-GD01



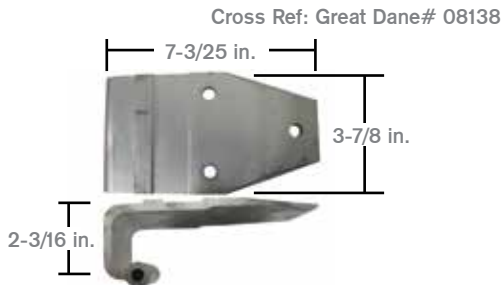
Material: Aluminum

SWH-GD03



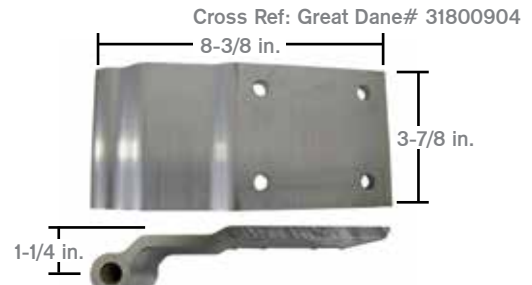
Material: Aluminum

SWH-GD04



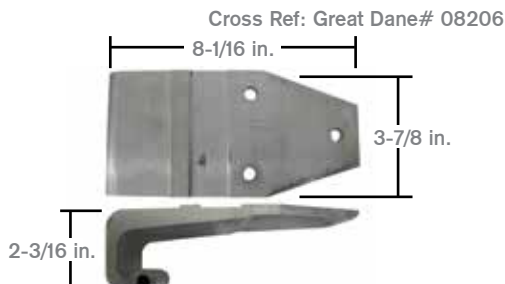
Material: Aluminum

SWH-GD05



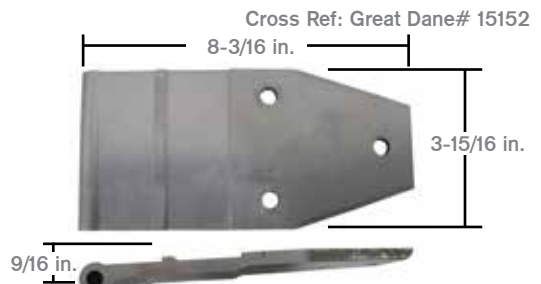
Material: Aluminum

SWH-GD06



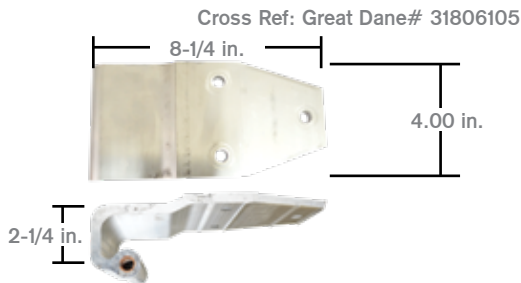
Material: Aluminum

SWH-GD07



Material: Aluminum

SWH-GD13



Material: Aluminum

SWH-GD15



DOR

Swing Door Hardware



Hinges

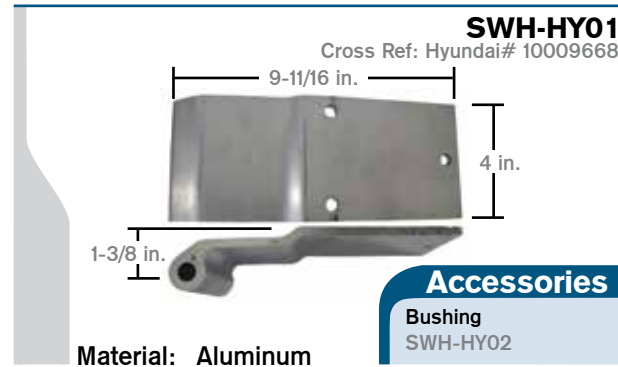
Great Dane Style



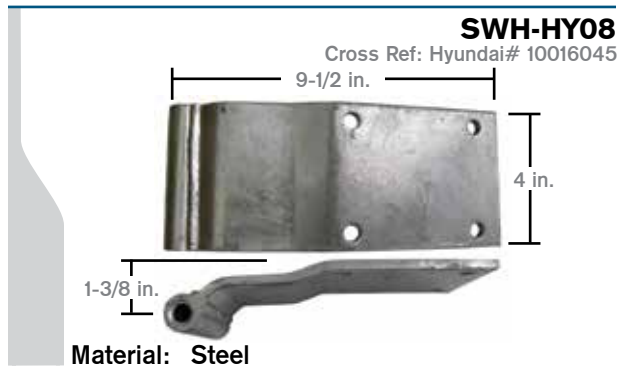
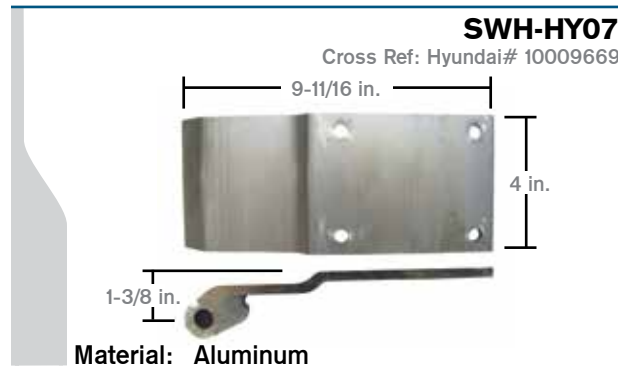
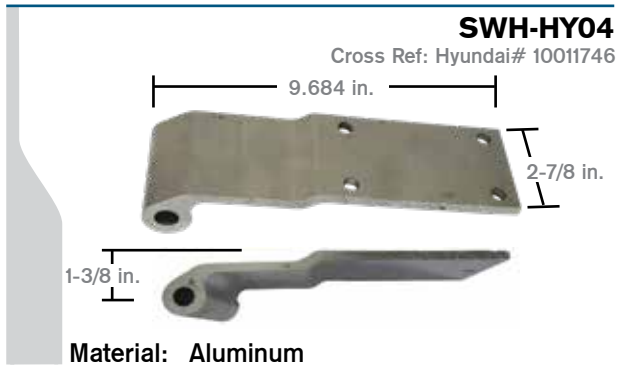
Hyundai Style



Hyundai Style



Accessories
Bushing
SWH-HY02



Kentucky Style



DOR

Swing Door Hardware

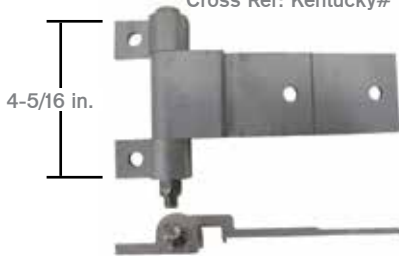


Hinges

Kentucky Style

FLT022-01040

Cross Ref: Kentucky# 6616600000

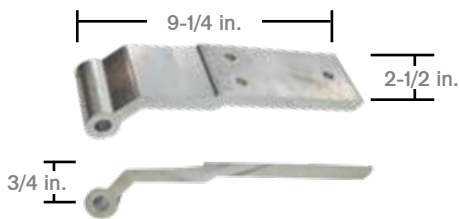


Swing Door
Material: Aluminum

Manac Style

SWH-MA03

Cross Ref: Manac# V3K00002



Material: Aluminum

SWH-MA04

Cross Ref: Manac# 353-239



No Holes
Material: Aluminum

Monon Style

FLT022-01185

Cross Ref: Monon# ED045011



Material: Aluminum

SWH-MN01

Cross Ref: Monon# DH032282



Material: Aluminum

SWH-MN02

Cross Ref: Eberhard# ED045011



Material: Aluminum

DOR

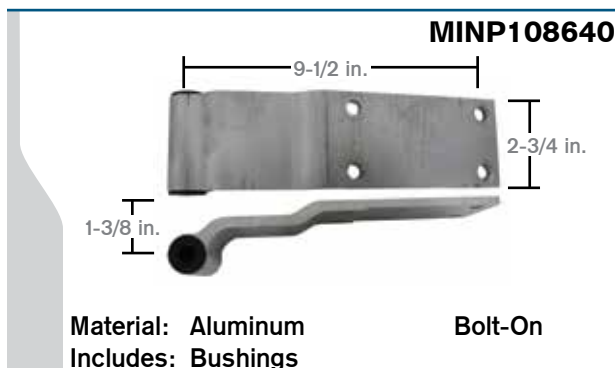
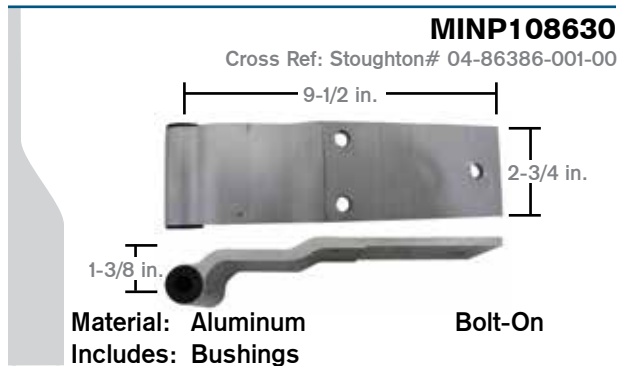
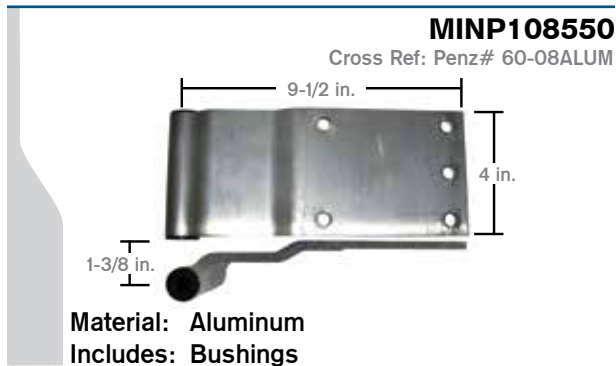
Swing Door Hardware

FLEET ENGINEERS

pro-FIT

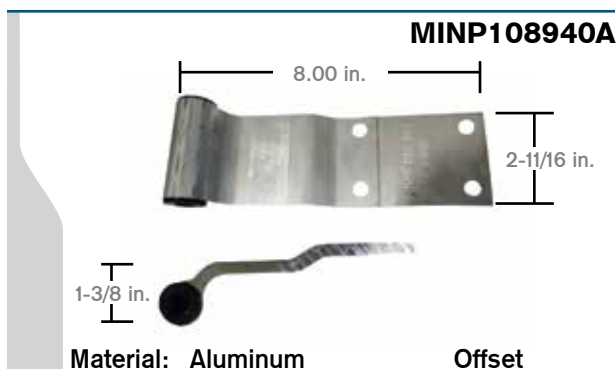
Hinges

Powerbrace / Miner



Powerbrace / Miner

Miner



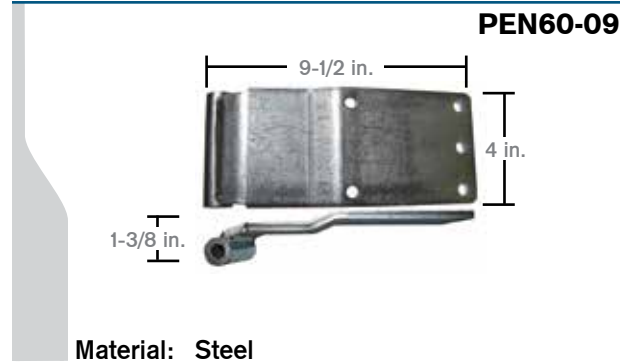
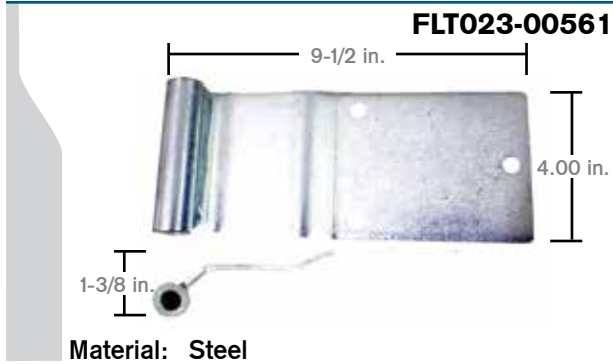
DOR

Swing Door Hardware

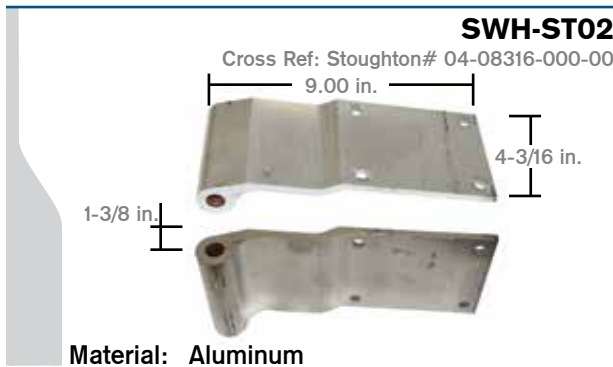


Hinges

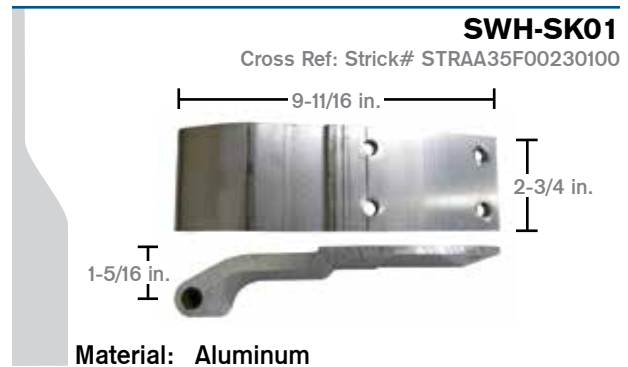
Miner Style



Stoughton Style



Strick Style



FLEET ENGINEERS

DOR

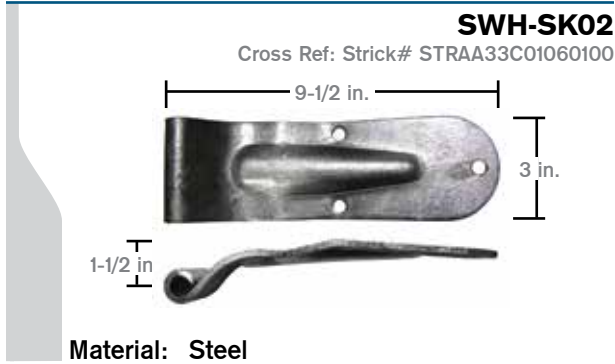
Swing Door Hardware

Pony

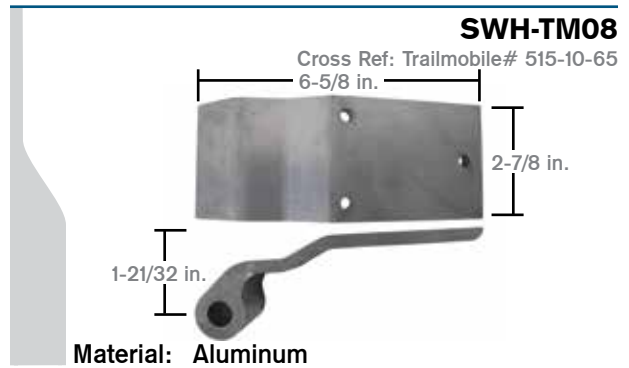
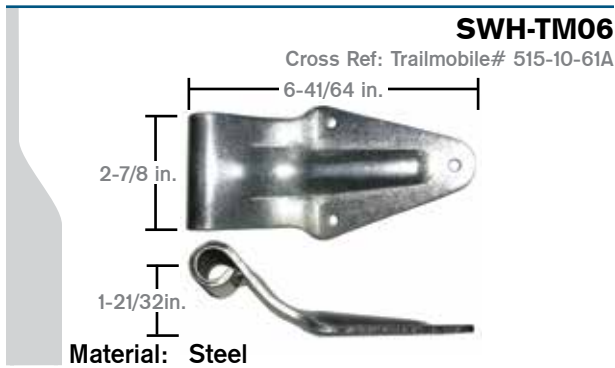
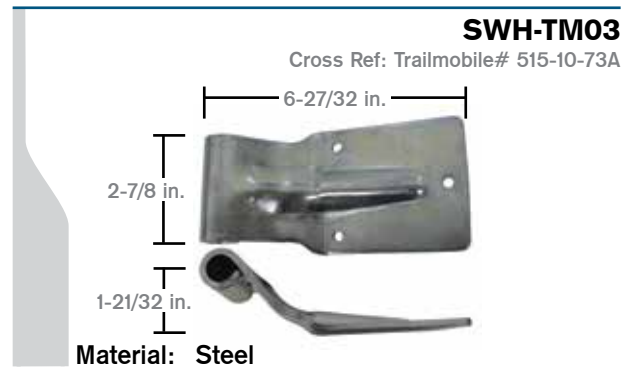
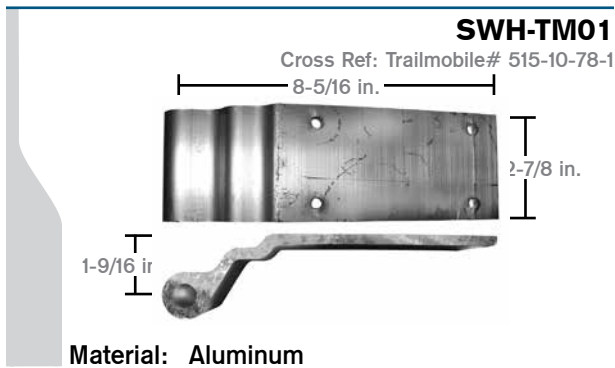
proFIT

Hinges

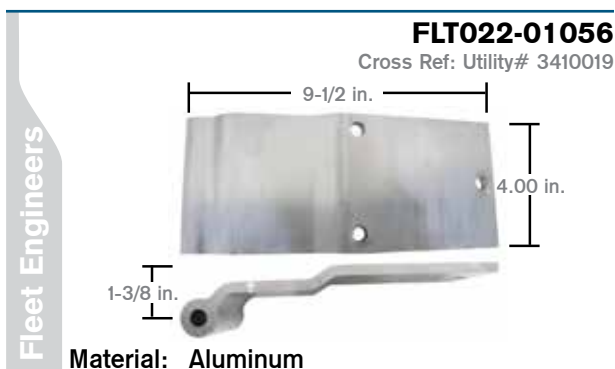
Strick Style



Trailmobile Style



Utility Style



DOR

Swing Door Hardware



Fleet Engineers

Fleet Engineers

Hinges

Utility Style

SWH-UT01
Cross Ref: Utility# 3-4100-0-022

Material: Aluminum

SWH-UT02
Cross Ref: Utility# 3-4100-0019

Material: Aluminum

SWH-UT04
Cross Ref: Utility# 01-4950-004

Material: Steel

Vanguard Style

FLT022-01407

Material: Aluminum

Accessories
Nylon Bushing
FLT022-01404

SWH-VN01
Cross Ref: Vanguard# RFP00127

Material: Aluminum

SWH-VN02
Cross Ref: Vanguard# RFP00020

Material: Aluminum

SWH-VN13
Cross Ref: Vanguard# CRTN8514104A201

Material: Aluminum

DOR

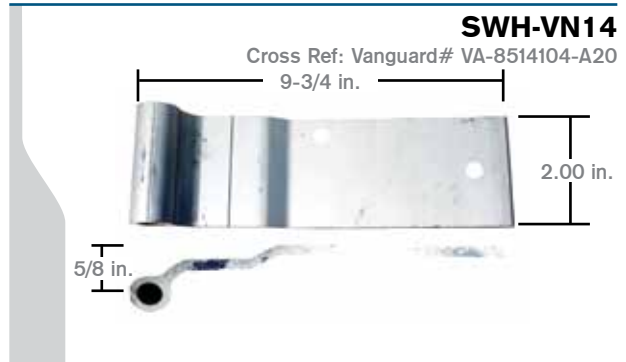
FLEET ENGINEERS

pro-FIT

Swing Door Hardware

Hinges

Vanguard Style



Wabash



Tech Tip

Hinge Bolts

Item	Part Number	Description
Hex Bolt	BLT1-302	1/2 in.-13 x 5-1/2 in.; Grade 5
Hinge Bolt Kit	FLT021-00376	1/2 in.-13 x 5-1/2 in.; Washers & Nuts

DOR

Swing Door Hardware



More Information

Powerbrace Hinge Accessories Guide

Hinge #	Description/Options	Bushing#	Hinge Pin & Bolt Options
MINP107835RB	Hinge, 4"x 5/16", 3/Hole, 1-3/8" Offset, HDG (uses 2 P10872 bearings)	MINP10872 Bearing, Flanged, no key, for 1078/1088 Hinges, Nylon	MINP1054123A Hinge Pin, 1/2"x 5-1/4", Drilled, Zinc MINP1054107A Hinge Bolt, 1/2"x 5-1/2", SS MINP1054133A Hinge Bolt, 1/2"-13 x 5-1/2", Zinc
MINP107845RBB	Hinge, 4"x 5/16", 4/Hole, 1-3/8" Offset, HDG (uses 2 P10872 bearings)		
MINP107855	Hinge, 4"x 5/16", 5/Hole, 1-3/8" Offset, HDG (uses 2 P10872 bearings)		
MINP108530	Hinge, 4"x 1/4", 3/Hole, 1-3/8" Offset, Aluminum		
MINP108540	Hinge, 4"x 1/4", 4/Hole, 1-3/8" Offset, Aluminum		
MINP108835	Hinge, 4"x 1/4", 3/Hole, 1-3/8" Offset, HDG (uses 2 P10872 bearings)		
MINP108845	Hinge, 4"x 1/4", 4/Hole, 1-3/8" Offset, HDG (uses 2 P10872 bearings)		
MINP108855RBB	Hinge, 4"x 1/4", 5/Hole, 1-3/8" Offset, HDG (uses 2 P10872 bearings)		
MINP1502	Hinge Assy., P108540, 4" Hinge, w/bearings, butt, nut, bolt, (bagged)		
MINP1506	Hinge Assy., P108845, 4" Hinge, w/bearings, butt, nut, bolt, (bagged)		
MINP1507	Hinge Assy., P108847, 4" Hinge, w/bearings, butt, nut, bolt, (bagged)		
MINP108600	Hinge, 2-3/4"x 1/4", No Hole, 1-3/8" Offset, Aluminum	MINP10872 Bearing, Flanged, no key, for 1078/1088 Hinges, Nylon	MINP1054117 Hinge Pin, 1/2"x 4", SS MINP1054143 Hinge Pin, 1/2"x 4", Drilled, for 2-3/4" Hinge, Zinc MINP1054147 Hinge Pin, 1/2"x 4", Drilled, for 2-3/4" Hinge, SS MINP1054153A Hinge Bolt, 1/2"-13 x 4", for 2-3/4" Hinge, Zinc MINP1054157A Hinge Bolt, 1/2"-13 x 4", for 2-3/4" Hinge, SS
MINP108630	Hinge, 2-3/4"x 1/4", 3/Hole, 1-3/8" Offset, Aluminum		
MINP108640	Hinge, 2-3/4"x 1/4", 4/Hole, 1-3/8" Offset, Aluminum		
MINP109431	Hinge, 4", 3/hole, 1-3/8", Offset, Polymer		
MINP108940A	Hinge, 2-3/4", 4/Hole, 1-3/8" Offset, w/bearings, Aluminum (Wabash 8")		
MINP109545	Hinge, 2-3/4"x 5/16", 1-3/8" Offset, HDG (uses 2 P10872 bearings)		
MINP1503	Hinge Assy., P108630, 2-3/4" Hinge, w/bearings, butt, nut, bolt, (bagged)		
MINP1508	Hinge Assy., P108630, 2-3/4" Hinge, w/bearings, butt, nut, bolt, (bagged)		
MINP1509	Lift-Off Hinge Assembly, Aluminum, (bagged)		
MINP1510	3-Piece Hinge Assembly, Aluminum, (bagged)		
			MINP50600 Coated Hinge Pin, (use with comp latch/lift-off hinge) (bag of 20)

NOTE: Additional options available. Visit MyAuroraPlus.com for more Powerbrace products.

DOR

Swing Door Hardware



More Information

Powerbrace Hinge Accessories Guide

Nut/Washer Options	Hinge Butt Options	
<p>MINP1054013A NTE Locknut, 1/2"-13, Zinc</p> <p>MINP1054017A Nylok Nut, 1/2" -13, SS</p> <p>MINP105483 Washer, 1/2", Hardened, Zinc</p>	<p>MINP1154061 Hinge Butt, bolt-on, 1-3/8" Offset, 4" Hinge, Plain</p> <p>MINP1154065 Hinge Butt, bolt-on, 1-3/8" Offset, 4" Hinge, HDG</p> <p>MINP1156061 Hinge Butt, weld-on, 1-3/8" Offset, 4" Hinge, Plain</p> <p>MINP1156063 Hinge Butt, weld-on, 1-3/8" Offset, 4" Hinge, Zinc (Merik)</p> <p>MINP1156065 Hinge Butt, weld-on, 1-3/8" Offset, 4" Hinge, HDG</p> <p>MINP1156101 Hinge Butt, weld-on, 1-5/8" Offset, 4" Hinge, Plain</p>	<p>MINP1156105 Hinge Butt, weld-on, 1-5/8" Offset, 4" Hinge, HDG</p> <p>MINP11661 Hinge Butt, weld-on, 1-3/8" Offset, 4" Hinge, Intermodal, Plain</p> <p>MINP11665 Hinge Butt, weld-on, 1-3/8" Offset, 4" Hinge, Intermodal, HDG</p> <p>MINP1356067 Hinge Butt, weld-on, 1-3/8" Offset, 4" Hinge, SS</p> <p>MINP161321 Hinge Butt, weld-on, 5/16"x1/2", 2-3/4" & 4" Hinge, Plain</p>
<p>MINP1054013A NTE Locknut, 1/2"-13, Zinc</p> <p>MINP1054017A Nylok Nut, 1/2" -13, SS</p> <p>MINP105483 Washer, 1/2", Hardened, Zinc</p>	<p>MINP11632971 Hinge Butt, weld-on, 1-3/8" Offset, 2-3/4" Hinge, Plain</p> <p>MINP11632973A Hinge Butt, weld-on, 1-3/8" Offset, 2-3/4" Hinge, Zinc</p> <p>MINP11632975 Hinge Butt, weld-on, 1-3/8" Offset, 2-3/4" Hinge, HDG</p> <p>MINP11632977 Hinge Butt, weld-on, 1-3/8" Offset, 2-3/4" Hinge, SS</p>	<p>MINP1164161 Hinge Butt, weld-on, 2" Offset, 2-3/4" Hinge, Plain</p> <p>MINP1169061 Hinge Butt, bolt-on, 1-3/8" Offset, 2-3/4" Hinge, Aluminum</p> <p>MINP161321 Hinge Butt End, 5/16"x1/2", 2-3/4" & 4" Hinge, Plain, (Stoughton)</p>
	<p>MINP43560 Hinge Butt, single, no-hole, Aluminum</p> <p>MINP43561 Hinge Butt, single, bolt-on, Aluminum</p> <p>MINP43561EP Hinge Butt, single, bolt-on, EP</p> <p>MINP4356L 8' length of P43560 extrusion, no-holes, Aluminum</p>	<p>MINP43611 Hinge Butt, double, weld-on, Aluminum</p> <p>MINP50730 Hinge Butt, single, bolt-on, Aluminum (43561 single butt - bag of 20)</p> <p>MINP50730EP Hinge Butt, single, bolt-on, EP finish (43561 single butt - bag of 20)</p> <p>MINP50735 Hinge Butt, double, weld-on, Aluminum (43611 double butt - bag of 10)</p>

DOR

Swing Door Hardware



Hinge Accessories

FLT022-01404



Material: Nylon

Keyed Bushing
MINP10871



Material: Nylon
For: Aluminum Hinges

Flanged Bushing
MINP10872

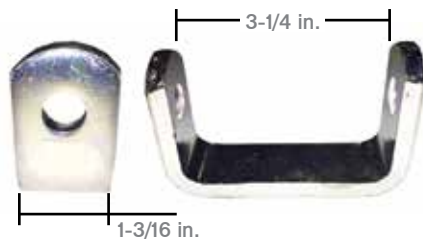


Material: Nylon
For: Steel Hinges

Hinge Butts

Fleet Engineers

FLT023-00642



Material: Steel
Pin: 1/2 in.

Fruehauf

FRUWCF3981-1



Material: Steel
Pin: 1/2 in.

Pro-FIT

OEM Precision Products



Pro-Fit all-makes product line consists of parts that are precision engineered as a direct fit for the original OEM component. Through Pro-Fit, Aurora offers direct-fit replacement parts for all brands of trailers.

FLEET
ENGINEERS

DOR

Swing Door Hardware



FRUEHAUF

Hinge Butts

Great Dane Style

PEN65-07

Cross Ref: Great Dane# 08137



Material: Steel
Pin: 3/8 in. 2 Per Hinge

Hyundai Style

SWH-HY10



Material: Steel
Pin: 5/8 in.

Powerbrace / Miner

MINP1169061



1-3/8 in. Offset
Bolt-On

MINP1156061



Use: 4 in. Hinges, 1-3/8 in. Offset
Material: Steel Weld-On
Pin: 1/2 in.

MINP1156065



Use: 4 in. Hinges, 1-3/8 in. Offset
Material: Steel HDG Bolt-On
Pin: 1/2 in.

MINP11661



Use: 4 in. Hinges, 1-3/8 in. Offset
Material: Steel Intermodal Heavy Duty
Pin: 1/2 in. Weld-On

Miner Style

FLT023-00664



Material: Steel

PEN65-05

Cross Ref: Miner# P1156061



Material: Steel
Pin: 1/2 in.

Pro-FIT



DOR

Swing Door Hardware



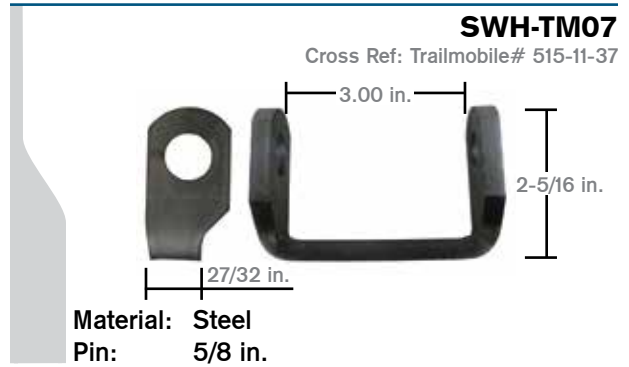
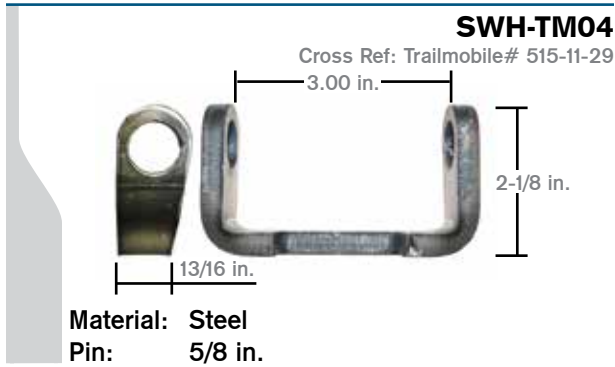
ELECT ENGINEERS

Hinge Butts

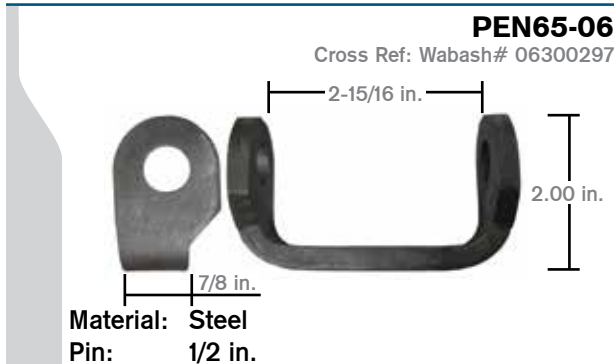
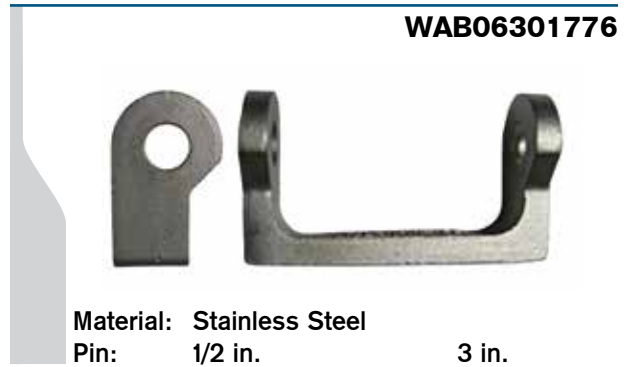
Stoughton Style



Trailmobile Style



Wabash



DOR

Swing Door Hardware



Pony

Hinge Pins

Buffers

BUF1402-6216



Material: Stainless Steel
Diameter: 1/2 in.

Fruehauf

FRUWCE7812-1



Material: Steel
Diameter: 1/2 in.

Fruehauf / Miner

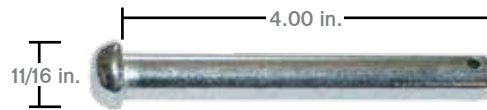
FLT997-98017



Material: Steel
Diameter: 1/2 in.

Dorsey Style

SWH-DY01



Material: Steel
Diameter: 1/2 in.

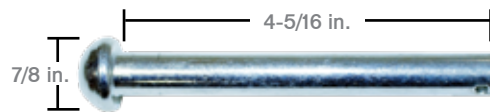
Great Dane Style

FLT997-98015



Material: Steel
Diameter: 3/8 in.

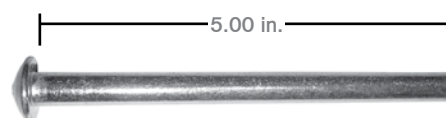
FLT997-98027



Material: Steel
Diameter: 1/2 in.

SWH-GD02

Cross Ref: Great Dane# 44573



Material: Steel
Diameter: 3/8 in.



Swing Door Hardware

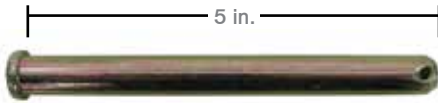


Hinge Pins

Powerbrace / Miner

MINP1054123A

Cross Ref: Fruehauf# WCE7812-1



Material: Zinc Plated
Diameter: 1/2 in.

MINP1054143A

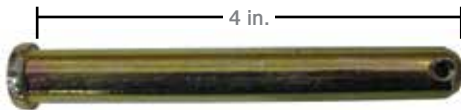


Material: Zinc Plated
Diameter: 1/2 in.

Stoughton Style

SWH-ST03

Cross Ref: Stoughton# 04-86386-005-00



Material: Steel
Diameter: 1/2 in.

Trailmobile Style

SWH-TM02

Cross Ref: Trailmobile# 515-12-13



Material: Steel
Diameter: 5/8 in.

Utility Style

SWH-UT03

Cross Ref: Utility# 3-6101-08



Material: Steel
Diameter: 5/8 in.

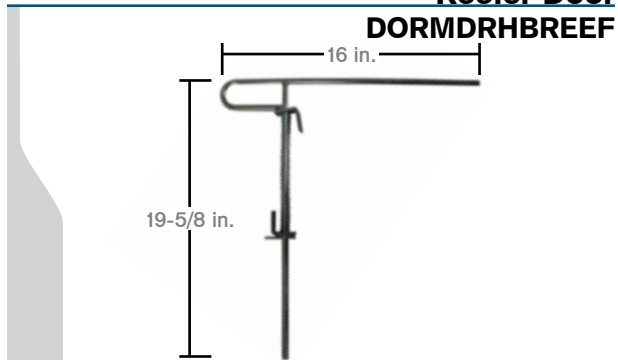
DOR

Swing Door Hardware



Holdbacks

**Reefer Door
DORMDRHBREEF**



Assembly

Size	Assembly
3 in.	FLT021-00372
4 in.	FLT021-00373



**T-Slot Base
FLT022-00522**



**T-Slot Holder
FLT022-00990**



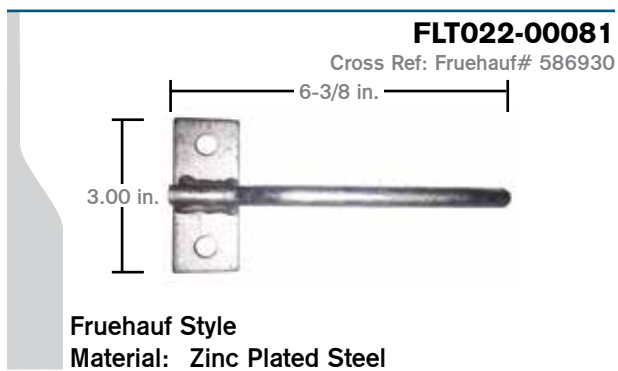
**Cable F/S
FLT022-00487**



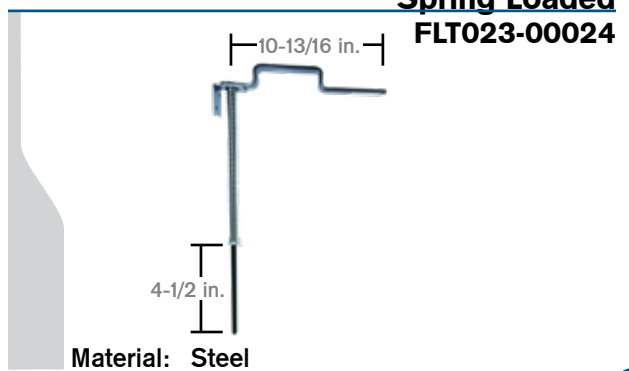
**T-Slot
FLT022-01022**



FLT022-00081
Cross Ref: Fruehauf# 586930



**Spring Loaded
FLT023-00024**



DOR

Swing Door Hardware

**FLEET
ENGINEERS**

Doors & Accessories

Holdbacks

Location
Roadside **FRUDCF5691-1**
Curbside **FRUDCF5691-2**



Material: Steel

IMXGT-1301

Cross Ref: Wabash# 06300015



Material: Galvanized

T-Style

Cross Ref	T-Bar Length	
Flt Eng# 022-01022	4 in.	IMXGT-1302
Flt Eng# 022-01024	6 in.	IMXGT-1326



Spring Loaded Assembly

IMXGT-1303

Cross Ref: Wabash# 06300094



Material: Stainless Steel
Length: 20-1/2 in.

Hook

IMXGT-1306

Cross Ref: Wabash# 06300119



Material: Galvanized

Post

IMXGT-1307

Cross Ref: Wabash# 06300693



Material: Galvanized
Post Length: 6-3/4 in.

Post

IMXGT-1312

Cross Ref: Wabash# 06301964



Material: Galvanized
Post Length: 4-11/32 in.

Hook - Trailmobile Style

HLD-TM01

Cross Ref: Trailmobile# 515-9-81



Holes: 2
Length: 4 in.

DOR

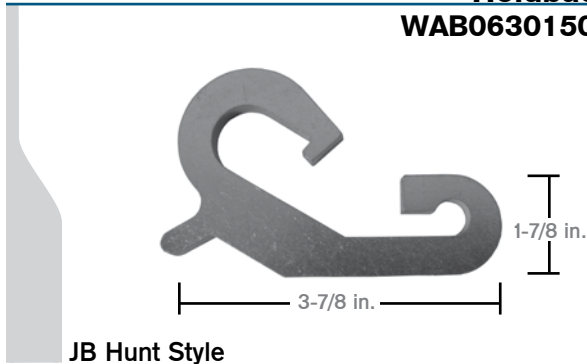
Swing Door Hardware

FRUEHAUF

proFIT

Holdbacks

Holdback
WAB06301509



Trustlock Plate
WAB06301614



Trustlock Plus Assembly
WAB06002567



Trustlock Plus Reinforce Plate
WAB06A01169



Loop Retainer
WAB06S01194



DOR

Swing Door Hardware



More Information

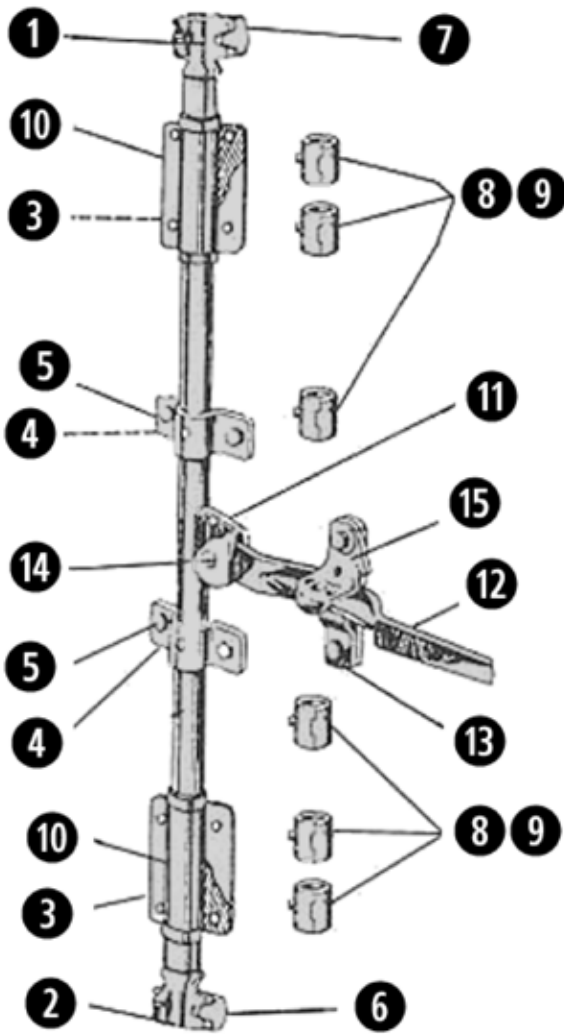
www.MyAuroraPlus.com

Need more information on a particular trailer? Log into www.MyAuroraPlus.com for Aurora's Graphical Bill of Material (GBOM). Easily point and click through visual elements of a trailer to drill down to an individual trailer component.

Bloxwich Style Lockrods

Components

Item	Part Number	Description
1	BUF1401-2194R	Right Hand Cam - Right Top/Left Bottom (Bloxwich #10080)
2	BUF1401-2194L	Left Hand Cam - Right Bottom/Left Top (Bloxwich #10081)
3	BLO10159-1	Bearing Back Plate
4	BUF1401-2176	Guide Back Plate (Bloxwich# 10160)
5	BUF1401-2175	Outer Guide
6	BLO10364	Left Hand Keeper - Right Bottom/Left Top
7	BUF1401-2189L	Right Hand Keeper - Right Top/Left Bottom (Bloxwich #10365)
8	BLO10556	Nylon Bushing - 1/2 in. Outer
9	BLO10557	Nylon Bushing - 1/2 in. Inner
10	BUF1401-2173	Bearing Bracket (Bloxwich# 11028)
11	BLO22084	Handle Hub
12	BLO22182	Handle
13	BLO22183	Handle Retainer
14	BLO22185	Bushing
15	BLO22192	Latch



DOR

Swing Door Hardware



Bloxwich Style Components

Keepers

Location	Bloxwich#
Right Bottom/Left Top	BLO10364
Right Top/Left Bottom	BUF1401-2189L



Bushings

Location	Bloxwich#
Outer	BLO10556
Inner	BLO10557



Material: Nylon

Handle BLO22182



Handle Retainer BLO22183



Handle Bushing BLO22185



Handle Catch BLO22192



Cams

Bloxwich#	Location	Bloxwich#
10080	Right Top/Left Bottom	BUF1401-2194R
10081	Right Bottom/Left Top	BUF1401-2194L



Buffers

DOR

Swing Door Hardware



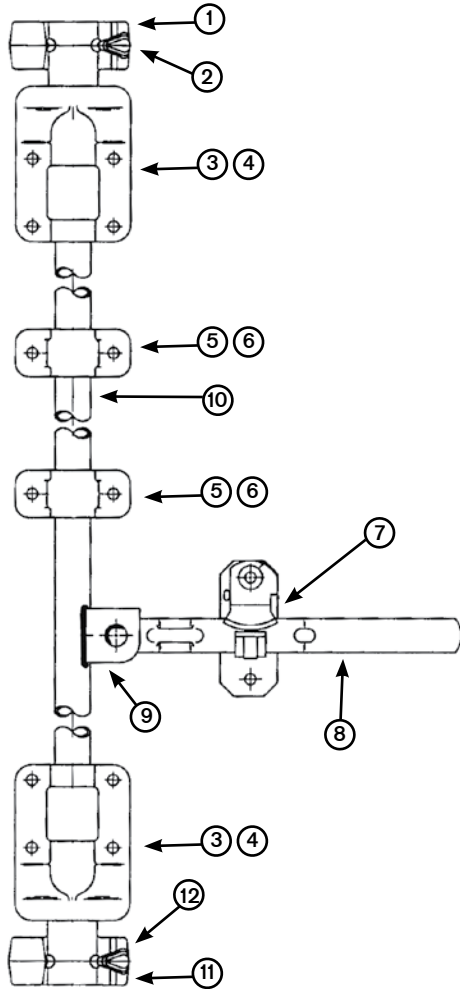
Eberhard Lockrods

Components

Item	Part Number	Description
1, 11	EBH1969-2	Cam
2, 12	EBH1969-1	Flush Keeper
3	EBH1969-8	Bearing Cover
4	EBH1969-9	Back Plate
5	EBH1969-10	Pipe Strap
6	EBH1969-11	Back Plate
7	EBH1969-7	Latch
8	EBH1969-6	Handle
9	EBH1969-5	Handle Clip
10	MINP50005A	Pipe - 1 in. x 120 in., Galvanized Steel

For Narrow Shallow Header

1, 11	EBH1974-2X-13	Cam
2, 12	EBH1974-1	Flush Keeper



DOR

Swing Door Hardware



Eberhard Components

Cams

Location
Left Hand **EBH16437L**
Right Hand **EBH16437R13**



Cam

EBH1969-2



Cam

EBH1969-35



Cam

EBH1974-2X-13



New Style Cam

EBH1977-35



Narrow Header Cam

EBH4-1974-2



Handle

EBH1969-6



Back Plate

EBH1969-9



DOR

Swing Door Hardware



Eberhard Components

Bearing Cover
EBH1969-8



Bearing Cover
EBH1979-10



Pipe Strap
EBH1969-10



Back Plate
EBH1969-11



Bearing Cover
EBH1979-8



Bushings

Location	
Lower	EBH1979-18
Upper	EBH1979-19



Handle Clip
EBH1969-5



Universal Lockrod
EBH1969-64



Style: Great Dane No Handle or Cams
Length: 139-1/4 in. Handle Height: 11-11/64 in.

DOR

Swing Door Hardware



Eberhard Components

Flush Keeper
EBH1974-1



Keeper
EBH1969-1



Flush Keeper
EBH1979-1



Handle Latch Plate
EBH1969-4



Handle Bushing
EBH1969-39



Handle Catch
EBH1969-7



Product Information

Eberhard Manufacturing Company

Eberhard Manufacturing leads the way in cam door lock manufacturing. They offer a large number of door lock types to secure vehicles. The most common is the 1969 Series Lockrod with or without tubing. Total projection is less than 2 in. with rack control, anti-rack cams and keepers.

Additional Series by Eberhard Manufacturing:

1971	16857	5650	7502 / 7503
1972	30004	5654	7504 / 7505
1974	30005	5660	7506 / 7507
1979		5663	

DOR

Swing Door Hardware



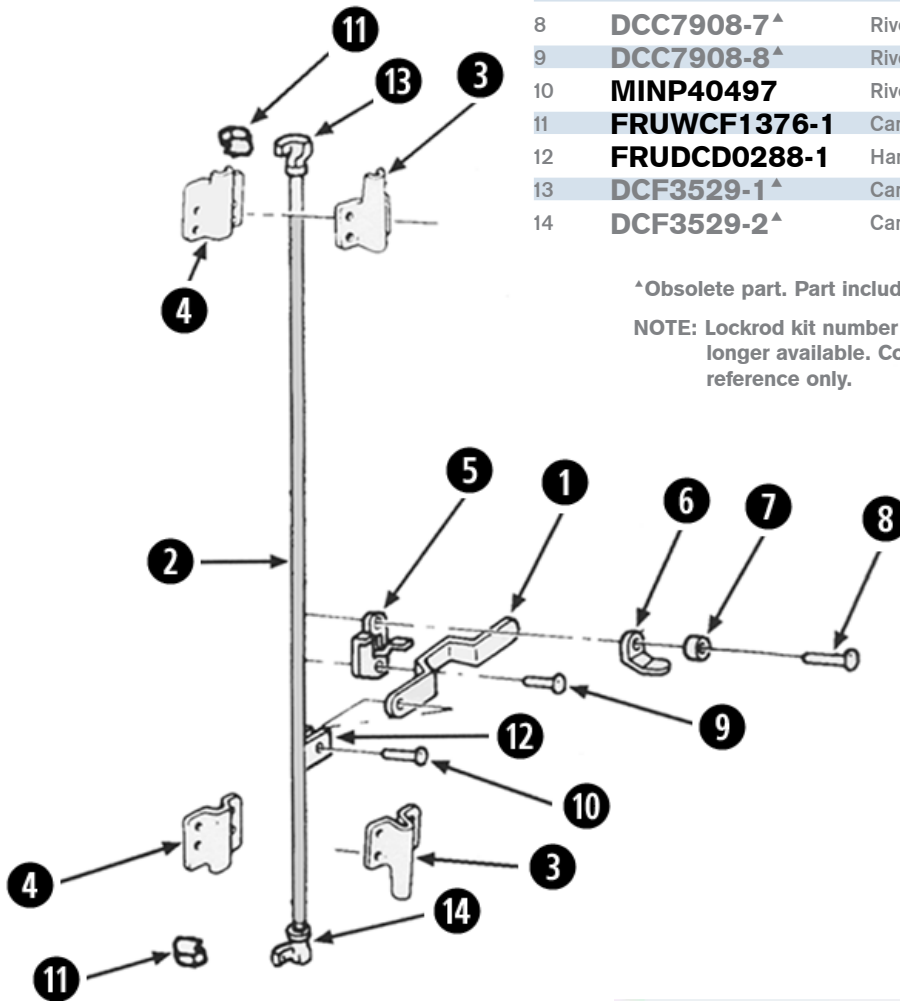
Fruehauf Lockrods

Components

Item	Part Number	Description
1	FRUDCF3525-1	Door Handle, 14-1/2 in. Lockrod
2	DCF3528-801 ^	Universal HD Lockrod
3	FRUDCF3522-1	Lock Rod Strap
4	FRUDCF3527-1	Wear Plate
5	DCF3532-1 ^	Handle Retainer
6	FRUDCF3531-1	Handle Latch
7	FRUDCF3524-1	Spacer
8	DCC7908-7 ^	Rivet, 3/8 in. x 1-5/16 in.
9	DCC7908-8 ^	Rivet, 3/8 in. x 1-1/2 in.
10	MINP40497	Rivet, 13-32 in. x 1-1/2 in. SS
11	FRUWCF1376-1	Cam Keeper
12	FRUDCD0288-1	Handle Bracket
13	DCF3529-1 ^	Cam
14	DCF3529-2 ^	Cam

^ Obsolete part. Part included for reference only.

NOTE: Lockrod kit number DCF3528-900 is obsolete and no longer available. Component parts listed are for reference only.



DOR

Swing Door Hardware

FRUEHAUF

Fruehauf Components

Anti-Theft Door Retainer Plate
FRUDCF3520-1



Material: Steel

Keeper
FRUWCF1376-1



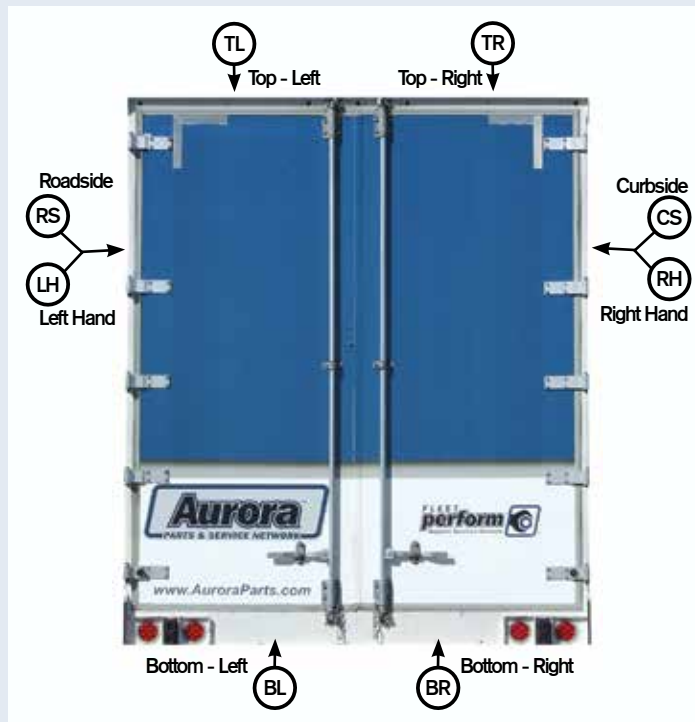
DOR

Swing Door Hardware



More Information

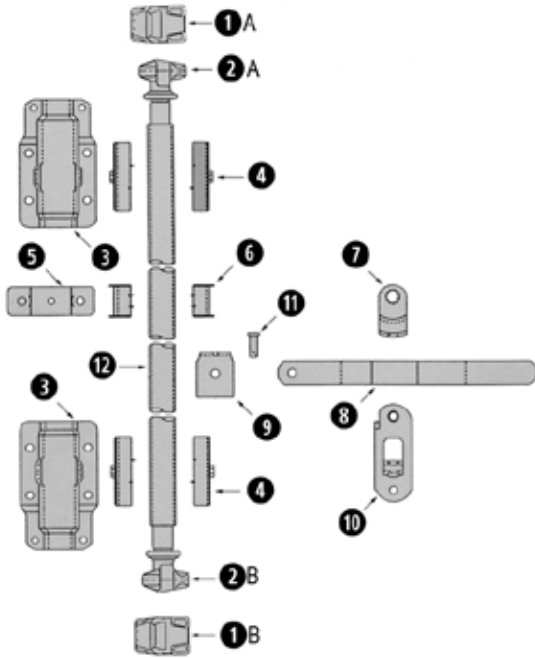
Swing Door Location Guide



Powerbrace Lockrods

DOR

Swing Door Hardware



Components

Item	Part Number	Sill - Header	Location
1A	Upper Keeper		
	MINP10645	DL-DL	
		DL-CT	
	MINP41405	DL-NH	
	MINP41557	HV-SH	Left Hand
	MINP41567	HV-SH	Right Hand
1B	Lower Keeper		
		DL-BU	
	MINP10645	DL-CT	
		DL-NH	
	MINP42231	HV-SH	
2A	Upper Cam		
	MINP41415	DL-DL	Left Hand
	MINP41425		Right Hand
	MINP20915	DL-CT	Left Hand
	MINP20925		Right Hand
	MINP41415	DL-NH	Left Hand
	MINP41425		Right Hand
	MINP41535	HV-SH	Left Hand
	MINP41545		Right Hand
2B	Lower Cam		
	MINP40445		Left Hand
	MINP40435	DL-DL	Right Hand
	MINP20925		Left Hand
	MINP20915	DL-CT	Right Hand
	MINP40445		Left Hand
	MINP40435	DL-NH	Right Hand
	MINP24975		Left Hand
	MINP24985	HV-SH	Right Hand
3	Guide Plate		
		DL-DL	
	MINP42075	DL-NH	
		HV-SH	
4	Guide Plate Half Bushing		
	MINP40071	DL-CT	
		DL-BU	
	MINP40421	DL-NH	
		HV-SH	
5	MINP40055	Rod Guide	
6	MINP40061	Rod Guide Half Bushing	
7	MINP40125	Seal Pin	
8	MINP40905	Handle	
9	MINP42085	Handle Mount	
10	MINP40115	Seal Plate	
11	MINP40497	Rivet - 13/32 in. x 1-1/8 in.	
12	MINP50005A	Pipe - 1 in. x 120 in., Galvanized Steel	

Powerbrace Components

Lockrod Assemblies

	Model	Handle Location	Handle Height	Length	Additional
MINP151017KIT	SI-SI	Left Hand	14 in.	112-9/16 in.	Lockrod w/P50515 Kit
MINP151018KIT	SI-SI	Right Hand	14 in.	112-9/16 in.	Lockrod w/P50515 Kit
MINP151063KIT	QF-QF	Left Hand	14 in.	120 in.	Lockrod w/P50305 Kit
MINP151064KIT	QF-QF	Right Hand	14 in.	120 in.	Lockrod w/P50315 Kit
MINP152011KIT	DL-NH	Left Hand	14 in.	120 in.	Lockrod w/P50155 Kit
MINP152012KIT	DL-NH	Right Hand	14 in.	120 in.	Lockrod w/P50165 Kit
MINP152037KIT	Trustlock Plus - NH	Left Hand		120 in.	TEL Lockrod w/P51125 Kit
MINP152038KIT	Trustlock Plus - NH	Right Hand		120 in.	TEL Lockrod w/P51135 Kit



Lockrods - Galvanized (Loose or No Top Cam)

	Model	Handle Location	Handle Height	Length	Additional	Completion Kits
MINP151705	SI-SI	Left Hand	14 in.	120 in.	No Top Cam, No Rings	P50875
MINP151706	SI-SI	Right Hand	14 in.	120 in.	No Top Cam, No Rings	P50585
MINP152011	DL-NH	Left Hand	14 in.	120 in.	No Top Cam	P50155/P50555/P50915
MINP152012	DL-NH	Right Hand	14 in.	120 in.	No Top Cam	P50165/P50565/P50925
MINP151181TEL	HV-SH	Left Hand	14 in.	120 in.	With Top Cam/Keeper Loose	P50815
MINP151182TEL	HV-SH	Right Hand	14 in.	120 in.	With Top Cam/Keeper Loose	P50825
MINP152011TEL	DL-NH	Left Hand	14 in.	120 in.	With Top Cam Loose	
MINP152012TEL	DL-NH	Right Hand	14 in.	120 in.	With Top Cam Loose	
MINP152037	Trustlock Plus	Left Hand	14 in.	120 in.	No Top Cam	
MINP152038	Trustlock Plus	Right Hand	14 in.	120 in.	No Top Cam	
MINP153459	Trustlock Plus	Left Hand	13 in.	114-1/8 in.		
MINP153460	Trustlock Plus	Right Hand	13 in.	114-1/8 in.		
MINP153587	Trustlock Plus	Left Hand	13 in.	115-1/8 in.		
MINP153588	Trustlock Plus	Right Hand	13 in.	115-1/8 in.		



More Information

TEL

TEL refers to "Top End Loose" meaning the top cam comes unattached for field length adjustment.

DOR

Swing Door Hardware



Powerbrace Components

DL-NH Hardware Kit

Handle Location		
Left Hand		MINP50155
Right Hand		MINP50165



Galvanized
Use with TEL Lockrod

Trustlock Plus Hardware Kit

Location		
Left Hand		MINP51125
Right Hand		MINP51135



Galvar
Use with TEL Lockrod

DL-DL Hardware Kit MINP50015



Galvanized
Includes Handle & Bottom Cam
Use with 1 in. Pipe

DL-NH Hardware Kit

Handle Location		
Left Hand		MINP50025
Right Hand		MINP50035



Galvanized
Includes Handle & Bottom Cam
Use with 1 in. Pipe

HV Cam End

Top Location	Bottom Location	
Right Hand	Left Hand	MINP24975
Left Hand	Right Hand	MINP24985



Material: Galvanized

DL Cam End

Top Location	Bottom Location	
Left Hand	Right Hand	MINP40435
Right Hand	Left Hand	MINP40445



Material: Galvanized

NH Cam End

Top Location	Bottom Location	
Left Hand	Right Hand	MINP41415
Right Hand	Left Hand	MINP41425



Material: Galvanized

SH Cam End

Top Location	Bottom Location	
Left Hand	Right Hand	MINP41535
Right Hand	Left Hand	MINP41545



Material: Galvanized

DOR

Swing Door Hardware



Door Securement

Versatile lockrods for use in all applications

Powerbrace offers more lockrod models than any other manufacturer in the world, and our heavy-duty 1-inch and medium-duty $\frac{3}{4}$ -inch lockrods cover truck trailer, stock, horse, utility and truck body door applications. Lockrod assemblies are normally supplied complete with welded top and bottom cams and lever assembly. Lockrods may also be ordered with the top cam loose (TEL) for field assembly. Lockrods may be ordered with or without mounting hardware. Bolt-on and weld-on keepers are available in several materials and finishes.



FEATURES

- 1-inch lockrods meet or exceed end-wall force requirements AAR M-930 (for containers) and M-931 (for trailers).
- Standard finish is hot-dip galvanized. Other finishes are also available.
- Heavy-duty, high-yield (55,000 minimum psi), low-alloy tubing for maximum strength.
- Mounting hardware utilizes snap-in Acetal anti-seize bushings for easy assembly and smooth operation (prevents galling and eliminates the need for lubrication).

More Options,
Better Solutions



Powerbrace Components

QF (Quad Finger) Cam End

Top Location	Bottom Location	
Left Hand	Right Hand	MINP42015
Right Hand	Left Hand	MINP42025



NS Cam End

Top Location	Bottom Location	
Left Hand	Right Hand	MINP42255
Right Hand	Left Hand	MINP42265



Material: Galvanized

SI Cam End

Top Location	Bottom Location	
Left Hand	Right Hand	MINP42575
Right Hand	Left Hand	MINP42585



Trustlock Plus NH Cam

Location	
Left Hand	MINP44215
Right Hand	MINP44225



Material: Galvanized

DOR

Swing Door Hardware



More Information

Powerbrace Model Letter Codes

Setup

First set indicates sill style (bottom), second set of letters indicates header style (top).

Example

DL-NH indicates DL is at the bottom, NH is at the top.

Models	Description
DL-DL	Dual lobe design for maximum strength & anti-rack protection (formerly DL-BU).
DL-NH	Dual lobe design for larger cube vans with narrow headers.
NH-NH	Dual lobe design for vans with narrow sills & headers.
CT-CT	Dual lobe with dual ferrule cam design for sill & header with added anti-rack & end load protection for marine/cargo container application (formerly DL-CT).

Model Letters	Description
DL	Dual Lobe Design
HD	1-1/2 in. Keeper Saddle Style
HV	Standard Sill - Reach & Gather
NH	Narrow Header
NS	Narrow Sill
NS	Narrow Sill - Long Reach
QF	Quad Finger
SC	Secura Cam
SH	Shallow Header - Reach & Gather
ST	Shallow Header - Long Reach
VL	1 in. Keeper Saddle Style

NOTE: Additional Models available. Models listed are for reference only.

Powerbrace Components

DL-CT Weld-On Keeper

Finish	
Galvanized	MINP10645
Stainless Steel	MINP10647



NH Weld-On Keeper

Finish	
Galvanized	MINP41405
Stainless Steel	MINP41407



Style: Offset

SH Weld-On Keeper

Finish	
Plain	MINP41551
Galvanized	MINP41555
Stainless Steel	MINP41557



Top Location: Left Hand
Bottom Location: Right Hand

SH Weld-On Keeper

Finish	
Plain	MINP41561
Galvanized	MINP4156-5
Stainless Steel	MINP41567



Top Location: Right Hand
Bottom Location: Left Hand

HV Weld-On Bottom Keeper

Material	
Plain	MINP42231
Galvanized	MINP42235
Stainless Steel	MINP42237



NS Bottom Keeper

MINP42241



Material: Plain

QF Weld-On Keeper

MINP42375



Material: Galvanized

Rivet

MINP40497



Material: Stainless Steel
Size: 13/32 in. x 1-1/8 in.

DOR

Swing Door Hardware



Powerbrace Components

Half Bushing
MINP40061



For use with 1 in. Pipe
Use with P40052 Rod Guide (Alum)
P40055 (Galvanized)

Half Bushing
MINP40071



For use with 1 in. Pipe
Use with P40035/P40045 Guide Plate/Back Plate

Half Bushing
MINP40421



For use with 1 in. Pipe
Use with P42075 Guide Plate

Half Bushing
MINP42521



For use with 1 in. Pipe
Use with Guide Plate

Guide Plate
MINP42075



Material: Galvanized

Guide Plate
MINP43875



Material: Galvanized
Hole Pattern: 2-1/2 in. Style: Rolled Nose

Rod Guide
MINP40055



Material: Galvanized

Handle Latch Plate

Finish Plain **MINP40111**

Galvanized **MINP40115**

Stainless Steel **MINP40117**



For use with 4090 Handle

DOR

Swing Door Hardware



Powerbrace Components

Handle Catch
MINP40125



Finish: Galvanized
For use with 4090 Handle

Handle

Finish	
Plain	MINP40901
Galvanized	MINP40905



Handle Mount
MINP42085



Size: 1 in.
Finish: Galvanized

Trustlock Plus Handle Assembly

Location	
Right Hand	MINP44315
Left Hand	MINP44325



Material: Galvanized

Seal Pin
MINP40121



Thickness: 1/8 in.

Theft Deterrent Plate
MINP43725



Hole Centers: 11-3/8 in.

TLP Cam

Location	
Right Hand	MINP44235
Left Hand	MINP44245



Material: Galvanized

DOR

Swing Door Hardware



Lockrod Components

Buffers

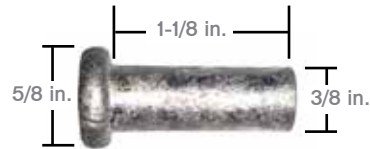
Anti Rack Ring
BUF1401-2172



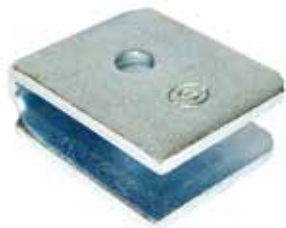
Size: 11 mm x 7/16 in.
Material: Zinc

Rivet

BUF1401-2587



Hub Mounting Bracket
BUF1401-8149



Fleet Engineers

Lockrod Set
FLT021-00312



Style: Miner DL

Top & Bottom Half
FLT023-00959



Style: Miner

Half Bearing
FLT023-00966



Style: Miner

DOR

Swing Door Hardware



FLEET ENGINEERS

Lockrod Components

Lower Keeper

Location
Right Hand **BUF1401-2190-R**
Left Hand **BUF1401-2190-L**



**Hyundai Style
Hinge Bushing
SWH-HY02**



**Hyundai Style
Lockrods**

Location
Left Hand **LOK-HY06**
Right Hand **LOK-HY04**



Length: 113-1/16 in.

Trailmobile Style

**Trailmobile Rear Handle Latch
LOK-TM01**

Cross Ref: Trailmobile# 532-A2-21



Wabash

**Anti Theft Plate
WAB06S00024**



**Anti Theft Plate
WAB06S04491**



Material: Galvanized



DOR

Swing Door Hardware



Mid Cam Locks

Eberhard Lock Parts

Part Number	Type	Part Number	Type
EBH1969-20	Blade	EBH1969-24	Pin
EBH1969-22	Guide	EBH1971-21	Keeper



(EBH1969-20)



(EBH1969-22)



(EBH1969-24)



(EBH1971-21)

Powerbrace Kit MINP50145



Hot-Dip Galvanized Finish; kit includes barrel

Stoppers

Insert IMXGT-1318

Cross Ref: Wabash# 06301217



Material: Rubber

Door Bumper IMXGT-2108



Size: 1-1/2 in. x 3/4 in.
Hole Diameter: 1/4 in.

Great Dane Style SWH-GD14

Cross Ref: Great Dane# 45064



Material: Rubber



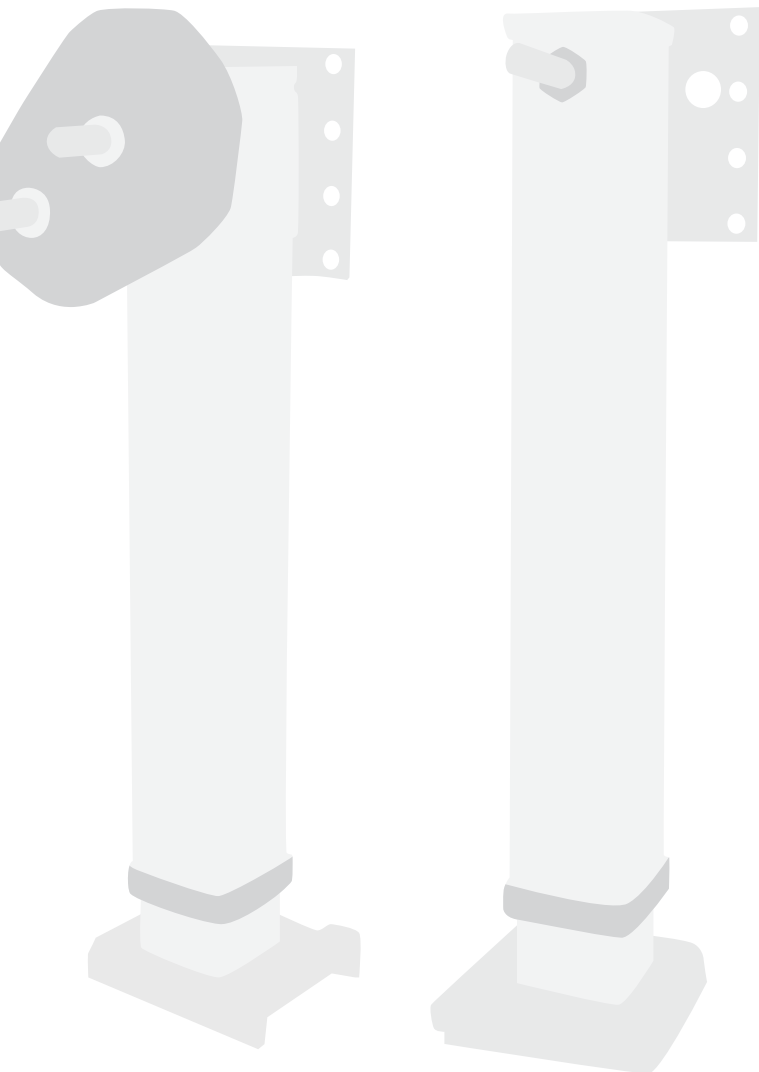
DOR

Swing Door Hardware



Landing Gear **477-524**

Models & Legs	478-504
SAF-Holland	478-499
Jost	500-503
Pro-Par	504
Accessories	505-510
Crank Handles & Holders .	505-507
Shoes	508-510
Mounting	511-521
Bracing	511-521
Bracing Lugs	513-516
Brackets	517-521
Specialty Legs & Components .	522-524



Landing Gear

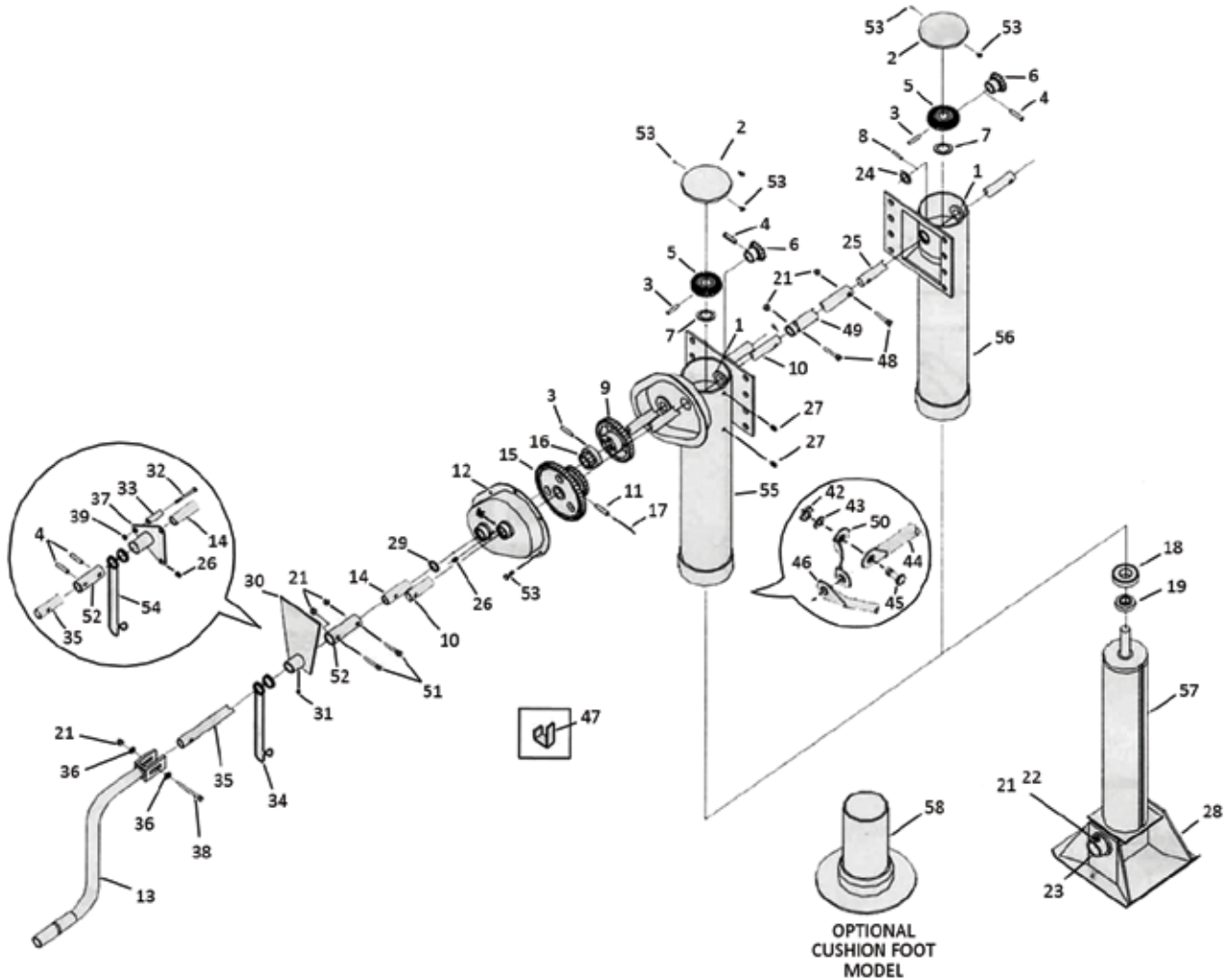
Austin-Westran CMR

DISCONTINUED - Service Parts Only

Models & Legs

LGR

SAH Holland



Austin-Westran CMR

Components

Item	Part Number	Description	Item	Part Number	Description
1	KYS724037	Bushing	31	707002[^]	Grease Fitting
2	KYS750109	Cover	32	201031[^]	Bolt 1/4 in. - 20 x 2-1/4 in.
3	KYS725046	Groove Pin 5/16 in. x 1/2 in.	33	724010[^]	Spacer
4	KYS725002	Roll Pin 3/8 in. x 1-3/8 in.	34	KYS730122	Crank Holder
5	KYS730590	Bevel Gear 28T	35	KYS750212	Crank Shaft Extension
6	KYS730011	Pinion-Bevel 14T	36	202403[^]	Washer 3/8 in. Plain Heavy
7	KYS722018	Hardened Washer	37	716007[^]	Crank Bracket Assembly
8	KYS725001	Roll Pin 1/4 in. x 1-1/4 in.		716008[^]	Crank Bracket Assembly
9	KYS751174	Gear, High Speed	38	201210[^]	Bolt - Hex HD 3/8 in. - 16 x 2-3/4 in.
10	KYS750002	Shaft Pinion	39	203305[^]	Lock Nut 1/4 in. - 20
11	KYS725003	Roll Pin 3/8 in. x 1-1/2 in.	42	203878[^]	Hex Nut 5/8 in. - 11
12	KYS741158	Cover Assembly	43	202745[^]	Washer
13	BINLG0083-01	Crank	44		Brace Tube (Cross)
14	KYS751175	Crank Shaft	45	721009[^]	Bolt - Hex HD 5/8 in. - 11 x 2 in.
15	KYS750009	Gear Set, Rigid 26/51T	46		Brace Tube (Back)
16	KYS751173	Gear, Low Speed	47	BUF1003-1406	Crank Holder
17	KYS729002	Spring Clip	48	KYS201208	Bolt - Hex HD 3/8 in. - 16 x 2-1/2 in.
18	KYS729016	Bearing	49	BINLG0094	Intermediate Shaft 65 in.
19	KYS730007	Collar		FRUSCE8322-1	Intermediate Shaft 74-3/4 in.
21	KYS203514	Nut Lock 3/8 in. - 16	50	KYS730157	Brace Ear
22	201226[^]	Bolt 3/8 in. - 16 x 3/4 in.	51	201218[^]	Bolt - Hex HD 3/8 in. - 16 x 1-3/4 in.
23	KYS730005	Axle - for Sand Shoes	52	730092[^]	Coupling
24	KYS722000	Washer	53	KYS201060	Screw - Hex Washer HD 1/4 in. - 20 x 1/2 in.
25	KYS750004	Shaft (Pinion)	54	730166[^]	Crank Holder
26	727001[^]	Grease Fitting	55	751562[^]	Upper Leg Weldment (2-Speed) 26-7/16 in. Length
27	727000[^]	Grease Fitting	56	751560[^]	Upper Leg Weldment (Single Speed) 26-7/16 in. Length
28	HOLLG0055-01	Sand Shoe	57	742110[^]	Lower Leg Assembly (Round)
29	KYS728000	Seal	58	742126[^]	Lower Leg Assembly with Cushion Foot (Standard Lube)
30	730152[^]	Crankshaft Bracket Assembly			

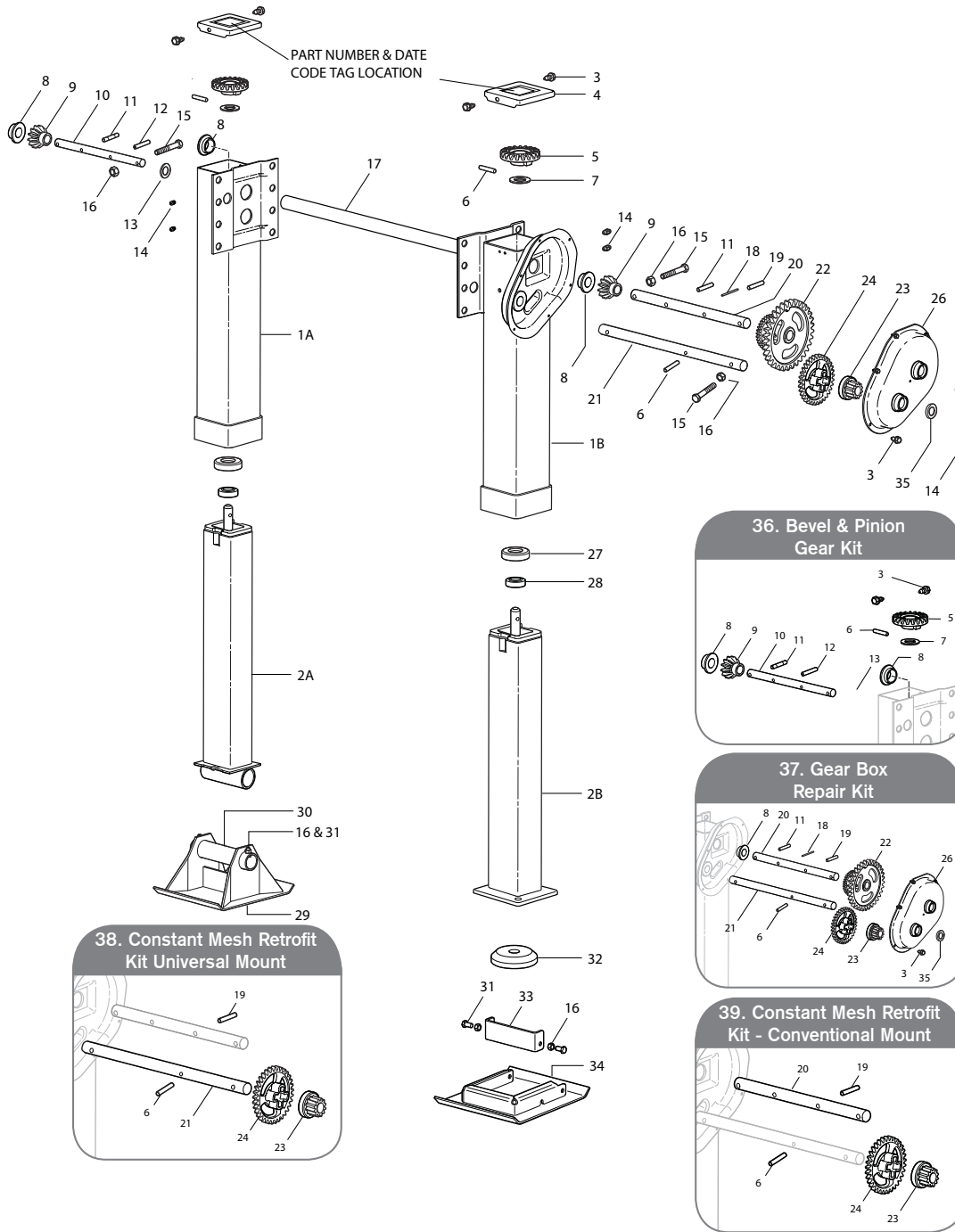
[^]Part included for reference only.

Landing Gear

Austin-Westran CMS

DISCONTINUED - Service Parts Only

As of 7/2010 legs were replaced with the Classic model.



Models & Legs

LGR

SAF Holland

Austin-Westran CMS

Components

Item	Part Number	Description
1A		Upper Leg Assy LH - 1-Speed
1B		Upper Leg Assy RH - 2-Speed
2A		Lower Leg Assy - Sandshoe
2B		Lower Leg Assy - Removable Cushion Foot
3	BINXB-ST5-008-11	Self-Tapping Screw 1/4 in. - 20 x 1/2 in.
4	KYS751612	Cover - Square Leg
	KYS751601	Cover - Round Leg
5	KYS730590	Bevel Gear
6	KYS725046	Groove Pin - 5/16 in. x 1-1/2 in.
7	HOLXB-PW-016-62	Washer Hardened
8	KYS724037	Shaft Bushing - Square Leg
	KYS724036	Shaft Bushing - Round Leg
9	KYS730011	Pinion Gear
10	Jack Shaft LH	
	KYS750004	- Universal Mount
	750450[^]	- Conventional Mount
	750452[^]	- Reverse Mount
11	KYS725002	Spring Pin - 3/8 in. x 1-3/8 in.
12	KYS725001	Spring Pin - 1/4 in. x 1-1/4 in.
13	HOLXB-PW-016-13	Flat Washer
14	727000[^]	Grease Fitting
15	BINXB-HHC-050-42	Hex Cap Screw 3/8 in. - 16 x 2-1/4 in.
16	HOLXB-SLN-012-04	Self-Locking Nut
17	BINLG0094-XXXX	Cross Drive Shaft
18	KYS729002	Wire
19	KYS725003	Spring Pin - 3/8 in. x 1-1/2 in.
20	Jack Shaft RH	
	KYS750002	- Universal Mount
	750241[^]	- Conventional Mount
	750245[^]	- Reverse Mount
21	Shift Shaft	
	KYS751175	- Universal & Reverse Mount
	KYS751198	- Conventional Mount

Item	Part Number	Description
22	KYS750009	Output Gear
23	KYS751173	Input Gear - Low
24	KYS751174	Input Gear - High
26	KYS741158	Outside Cover Assembly
27	KYS730007	Collar - Elevating Screw
28	KYS729016	Bearing
29	Sandshoe	
	BIN50616001	- 10 in. x 10 in. x 4-1/2 in. Code 444
	BIN50616008	- 10 in. x 10 in. x 2 in. Code 400
30	BINLG0070-02	Sandshoe Axle Hollow Axle 8-1/2 in. Lg.
31	HOLXB-HHC-050-69	Hex Cap Screw
32	KYS728003	Cushion Foot Pad - RCF
33	KYS730638	Interchangeable Strap - RCF
34	KYS730640	RCF - 10 in. x 10 in.
35	KYS728000	Seal
36	HOLRK-11290	Bevel & Pinion Gear Repair Kit
37	HOLRK-11291	Gear Box Repair Kit
38	KYS716037	Constant Mesh Retrofit Kit Universal Mount
39	KYS716039	Constant Mesh Retrofit Kit Conventional Mount

Models & Legs

LGR

NOTE: RCF = Removeable Cushion Foot.

[^]Part included for reference only.

Landing Gear

Binkley 50,000 Series

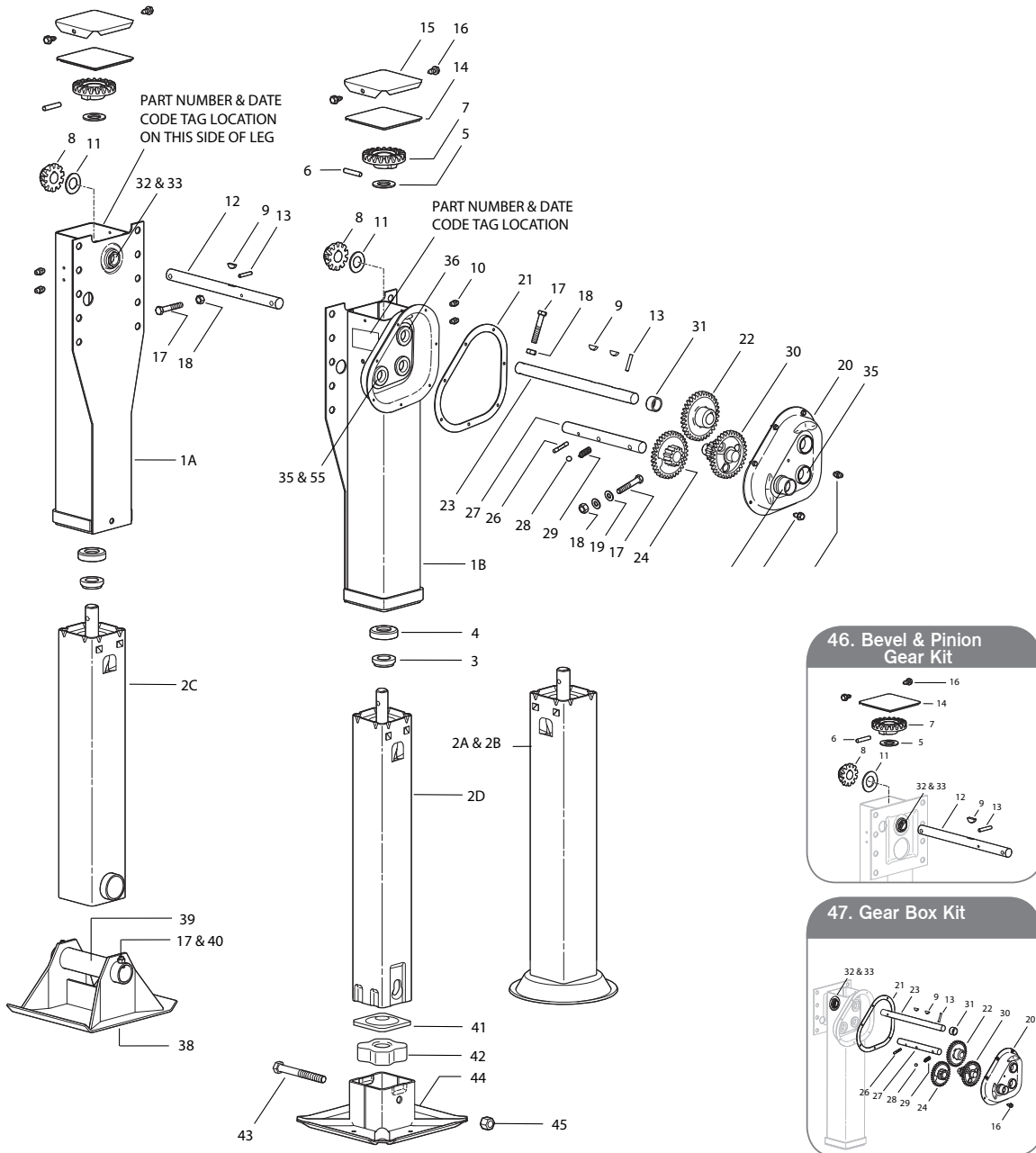
DISCONTINUED - Service Parts Only

As of 1/2012 legs were replaced with the Atlas 65 model.

Models & Legs

LGR

SAF Holland



Binkley 50,000 Series

Components

Item	Part Number	Description
1A	LG0229-04[^]	Upper Housing LH
1B	LG0228-04[^]	Upper Housing RH
2A	LG0569-02[^]	Retract Tube Assy - DIA 10 in. Shock Foot
2B	LG0580-01[^]	Retract Tube Assy - DIA 12 in. Shock Foot
2C	BINLG0574-01	Retract Tube Assy - Axle Socket
2D	LG0747-504[^]	Retract Tube Assy - RCF
3	BINXB-LG0544	Collar
4	BINXBBRG01377	Thrust Bearing
5	HOLXB-PW-016-62	Washer FL
6	XB-CRP-V-06635[^]	Pin 0.38 in. x 2 in.
7	BINLG0570-01	Bevel Gear
8	BINLG0531-02	Pinion Gear
9	BINXB-KEY-018-02	Key - Woodruff
10	HOLXB-GRF-022-16	Ftg - Grease
11	BINXB-PW-016-19	Washer
12	Jack Shaft LH	
	BINLG0259	- Universal Mount
	BINLG0369-01	- I-Beam Mount
	LG0369-05[^]	- Conventional Mount
	BINLG0436	- Reverse Mount
13	BINXB-SP-014-27	Pin
14	BINXB-LG0413	Gasket
15	BINLG0264	Cover
16	BINXB-STS-008-11	Self-Tapping Screw
17	BINXB-HHC-050-42	Screw - Hex HD
18	HOLXB-SLN-012-04	Self-Locking Nut
19	BINXB-PW-016-03	Washer
20	BINXB-LG0663	Gearbox Half
	BINLG0663	Cover Gearbox
21	BINLG0428	Gearbox Gasket
22	BINLG0543-01	Output Gear
23	Jackshaft RH	
	BINLG0260	- Universal Mount
	BINLG0370-01	- I-Beam Standard Mount
	BINLG0370-05	- Conventional Mount
	BINLG0438	- Reverse Mount
24	BINLG0541-01	Input Gear High & Low

Item	Part Number	Description
26	BINXB-GP-014-07	Groove Pin Lg Type E 1/4 in. x 1-1/2 in.
27	Shift Shaft	
	BINLG0261-01	- Universal Mount
	BINLG0371-01	- I-Beam & Conventional
	BINLG0437	- Reverse Mount
28	BINXB-BAL-023-07	Shift Lock Ball
29	BINXB-SPG-020-36	Shift Lock Spring
30	BINLG0542-01	Idler Gear
31	BINLG0219-01	Spacer Bushing
32	BINLG2094	Retainer - Hex Lock
33	BINLG2095	Hex Lock Boss
34	BINLG0658-01	Shift Lock Boss
35	BINLG0659-01	Gearbox Boss
36	BINXB-LG0660	Gearbox Boss Inside Half
38	Sand Shoe	
	BIN50616001	- 10 in. x 10 in. x 4-1/2 in.
	HOL50616000	- 10 in. x 12 in. x 4-1/2 in.
	BIN50616008	- 10 in. x 10 in. x 2 in.
	HOL50616007	- 10 in. x 12 in. x 2 in.
39	BINLG0070-02	Sandshoe Axle Hollow Axle 8-1/2 in. Lg
40	HOLXB-HHC-050-69	Screw - Hex Cap 3/8 in. - 16 x 1/4 in. Gr5
41	BINLG0725	Cushion Foot Plate
42	BINLG0726	Cushion Foot Rubber
43	HOLXB-HHB-050-70	Bolt - Hex Head 5/8 in. - 11 x 5-1/2 in.
44	BINLG0048-01	RCF - 10 in. x 10 in.
45	BINXB-SP0012-10	Self-Locking Nut 5/8 in. - 11
46	HOLRK-11284	Bevel & Pinion Gear Repair Kit
47	HOLRK-11285	Gear Box Repair Kit

NOTE: RCF = Removeable Cushion Foot.

[^]Part included for reference only.

Landing Gear

Binkley 51,000 Series

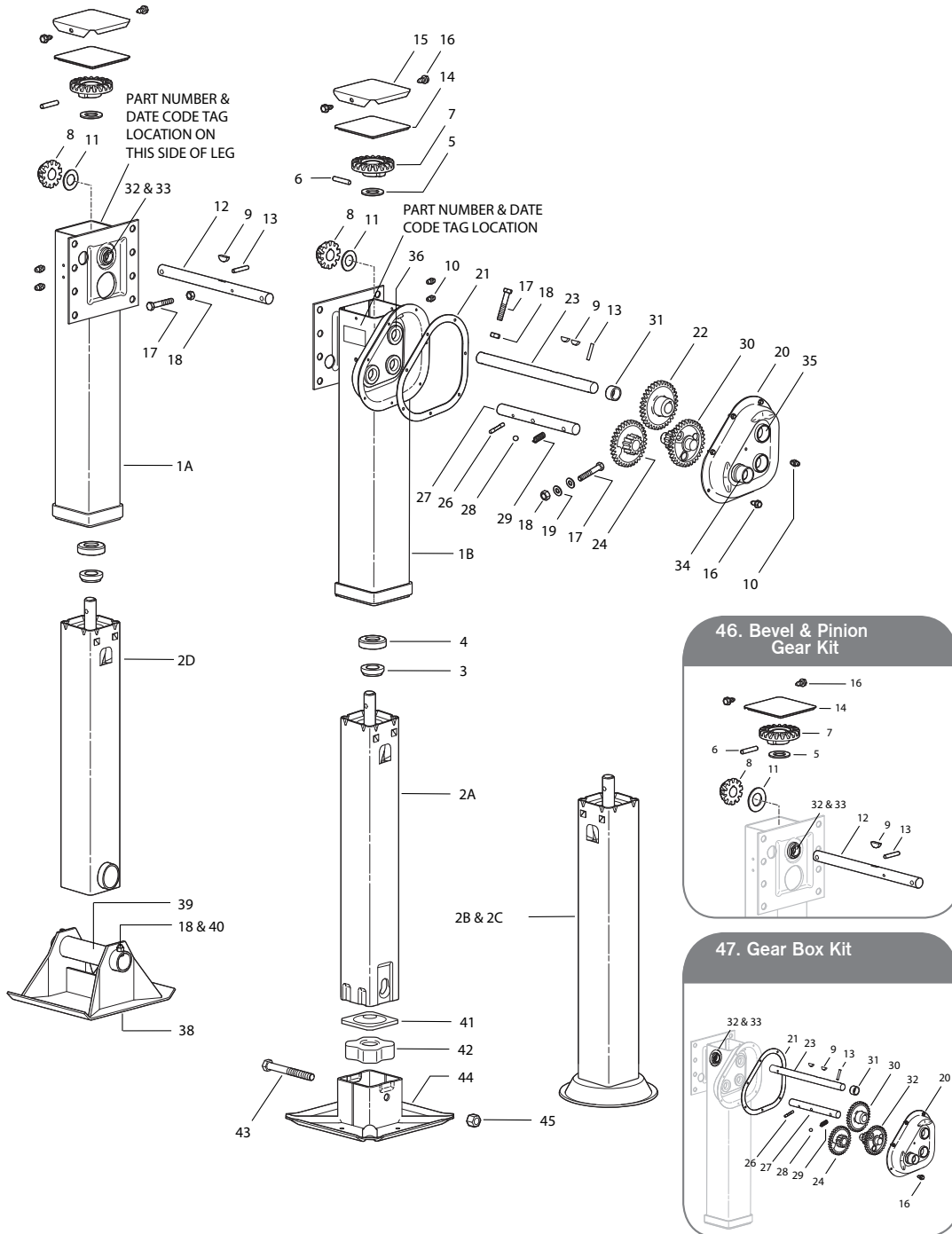
DISCONTINUED - Service Parts Only

As of 9/2010 legs were replaced with the Atlas 55 model.

Models & Legs

LGR

SAF Holland



NOTE: RCF = Removeable Cushion Foot.
*Part included for reference only.

Binkley 51,000 Series

Components

Item	Part Number	Description
1A	N/A	Upper Housing LH
1B	N/A	Upper Housing RH
2A	N/A	Retract Tube - RCF
2B	N/A	Retract Tube - 10 in. Shock Foot
2C	N/A	Retract Tube - 12 in. Shock Foot
2D	N/A	Retract Tube - Axle
3	BINXB-LG0544	Collar
4	BINXBBRG01377	Thrust Bearing
5	HOLXB-PW-016-62	Washer - FL 2 in. x 1-3/16 in. x 1/8 in.
6	HOLXA-CRP-V-06635	Pin - 3/8 in. x 2 in.
7	BINLG0570-01	Bevel Gear
8	BINLG1823-01	Pinion Gear
9	BINXB-KEY-018-02	Key - Woodruff 1/4 in. x 7/8 in.
10	HOLXB-GRF-022-16	Ftg - Grease 1/4 in. - 28 Self Tapping
11	BINXB-PW-016-19	Washer - Fl 1-13/16 in. x 1-1/64 in. x 1/16 in.
12	Jack Shaft LH	
	BINLG0927	- Universal Mount
	BINLG0946	- I-Beam Mount
	BINLG0946-02	- Conventional Mount
	BINLG0948	- Reverse Mount
13	BINXB-SP-014-27	Pin - Spring 1/4 in. x 1-1/2 in.
14	XB-LG0893[^]	Gasket
15	HOL2111100004080	Cover
16	BINXB-ST5-008-11	Self-Tapping Screw 1/4 in. - 20 x 1/2 in. Lg
17	BINXB-HHC-050-42	Screw, Hex Cap 3/8 in. - 16 x 2-1/4 Lg Gr5
18	HOLXB-SLN-012-04	Self-Locking Nut 3/8 in. - 16
19	BINXB-PW-016-03	Washer 3/8 in. Std
20	Gearbox Half	
	BINLG0663	Outside with Hole for Grease Fitting
	BINXB-LG0663	Outside with Grease Fitting Included
21	BINLG0428	Gearbox Gasket
22	BINLG0543-01	Output Gear

Item	Part Number	Description
23	Jackshaft RH	
	BINLG0928	- Universal
	BINLG0947	- I-Beam Mount
	BINLG0947-02	- Conventional Mount
	BINLG0949	- Reverse Mount
24	BINLG0541-01	Input Gear High & Low
26	BINXB-GP-014-07	Groove Pin, Type E 1/4 in. x 1-1/2 in. Lg
27	Shift Shaft	
	BINLG0261-01	- Universal Mount
	BINLG0371-01	- I-Beam & Conventional
	BINLG0437	- Reverse Mount
28	BINXB-BAL-023-07	Shift Lock Ball
29	BINXB-SPG-020-36	Shift Lock Spring
30	BINLG0542-01	Idler Gear
31	BINLG0219-01	Spacer Bushing
32	BINLG2094	Retainer, Hex Lock
33	BINLG2095	Hex Lock Boss
34	BINLG0658-01	Shift Lock Boss
35	BINLG0659-01	Gearbox Boss
36	BINXB-LG0660	Gearbox Boss, Inside Half
38	Sandshoe	
	BIN50616001	- 10 in. x 10 in. x 4-1/2 in.
	HOL50616000	- 10 in. x 12 in. x 4-1/2 in.
	BIN50616008	- 10 in. x 10 in. x 2 in.
	HOL50616007	- 10 in. x 12 in. x 2 in.
39	BINLG0070-02	Sand Shoe Axle Hollow Axle 8-1/2 in. Lg
40	HOLXB-HHC-050-69	Screw, Hex Cap 3/8 in.-16 x 3/4 in. Lg Gr5
41	BINLG0725	Cushion Foot Plate
42	BINLG0726	Cushion Foot Rubber
43	XB-HHB-050-07[^]	Bolt - Hex Head 5/8 in.-11 x 5-1/2 in.
44	Removeable Cushion Foot	
	BINLG0718-01	- Diameter 10 in.
	BINLG0740-01	- Diameter 12 in.
	BINLG048-01	- 10 in. x 10 in.
45	BINXB-SP0012-10	Self-Locking Nut 5/8 in. - 11
46	HOLRK-11288	Bevel & Pinion Gear Repair Kit
47	HOLRK-11289	Gear Box Repair Kit

Models & Legs

LGR

SAF Holland

Landing Gear

Binkley FG4000 Series

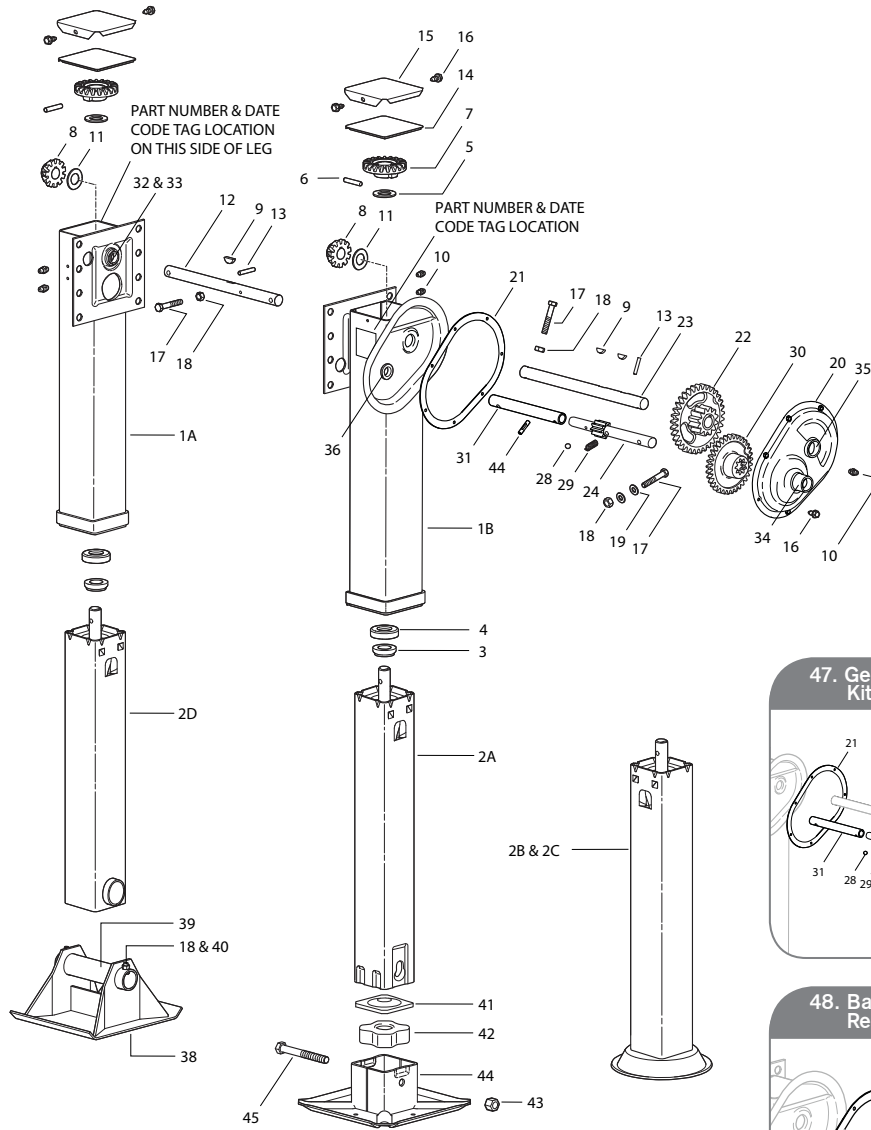
DISCONTINUED - Service Parts Only

As of 9/2010 legs were replaced with the Atlas 55 model.

Models & Legs

LGR

SAF Holland



NOTE: CLOTH BAG & UTILITY CLOTH INCLUDED (NOT SHOWN)

Binkley FG4000 Series

Components

Item	Part Number	Description
1A	N/A	Upper Housing LH
1B	N/A	Upper Housing RH
2A	N/A	Retract Tube - RCF
2B	N/A	Retract Tube - 10 in. Shock Foot
2C	N/A	Retract Tube - 12 in. Shock Foot
2D	N/A	Retract Tube - Sandshoe
3	BINXB-LG0544	Collar
4	BINXBBRG01377	Thrust Bearing
5	HOLXB-PW-016-62	Washer - FL 2 in. OD 1-3/16 in. ID, 1/8 in. Thk.
6	HOLXA-CRP-V-06635	Pin - 3/8 in. x 2 in.
7	BINLG0570-01	Bevel Gear
8	BINLG1823-01	Pinion Gear
9	BINXB-KEY-018-02	Woodruff Key - 1/4 in. x 13/16 in.
10	HOLXB-GRF-022-16	Grease Fitting - 1/4 in.-28 Self-Tapping
11	BINXB-PW-016-19	Washer - FL 1-7/8 in. OD 1-1/64 in. OD, 5/8 in. Thk.
12	Jack Shaft LH	
	BINLG0927	- Universal Mount
	BINLG0946	- I-Beam Mount
	BINLG0946-02	- Conventional Mount
	BINLG0948	- Reverse Mount
13	BINXB-SP-014-27	Spring Pin 1/4 in. x 1-1/2 in.
14	BINXB-LG0893	Gasket
15	HOL2111100004080	Cover
16	BINXB-ST5-008-11	Self-Tapping Screw 1/4 in. - 20 x 1/2 in. Lg
17	BINXB-HHC-050-42	Screw - Hex Cap Lg Gr5 3/8 in.-16 x 2-1/4 in.
18	HOLXB-SLN-012-04	Self Locking Nut 3/8 in.-16 Grade B
19	BINXB-PW-016-03	Washer - 3/8 in.
20	BINLG0944-100	Gearbox Half - Outside w/Hole for Grease Fitting
21	BINXB-LG0891	Gearbox Gasket
22	BINLG0936-51	Output Gear

Item	Part Number	Description
23	Jack Shaft RH	
	BINLG2147	- Universal Mount
	LG2187^	- I-Beam Mount
	BINLG2187-01	- Conventional Mount
	HOLLG2197	- Reverse Mount
24	Input Gear - Low	
	BINLG2463-01	- Universal, I-Beam & Conventional Mount
	BINLG2464-01	- Reverse Mount
28	BINXB-BAL-023-07	Shift Lock Ball
29	BINXB-SPG-020-36	Shift Lock Spring
30	BINLG2465-01	Input Gear - High
31	BINLG2462	Shift Shaft Extension Universal, Reverse
32	BINLG2094	Retainer - Hex Lock
33	BINLG2095	Boss - Hex Lock
34	BINLG0658-01	Shift Lock Boss
35	BINLG0659-01	Gearbox Boss
36	HOLXB-LG0931	Gearbox Boss Inside Half
38	Sandshoe	
	BINLG0055	- 10 in. x 10 in. x 4-1/2 in.
	BINLG0050	- 10 in. x 12 in. x 4-1/2 in.
	BINLG0056	- 10 in. x 10 in. x 2 in.
	BINLG0051	- 10 in. x 12 in. x 2 in.
39	BINLG0070-02	Sand Shoe Axle Hollow Axle 8-1/2 in. Lg
40	HOLXB-HHC-050-69	Screw - Hex Cap 3/8 in.-16 x 3/4 in. Gr5
41	BINLG0725	Cushion Foot Plate
42	BINLG0726	Cushion Foot Rubber
43	HOLXB-HHB-050-70	Bolt - Hex Head 5/8 in.-11 x 5-1/2 in.
44	Removeable Cushion Foot	
	BINLG0718-01	- 10 in. x 10 in.
	BINLG0740-01	- 12 in. Diameter
	BINLG0048-01	- 10 in. Diameter
45	BINXB-SP0012-10	Self-Locking Nut 5/8 in.-11
46	BINXB-GP-052-49	Groove Pin 1/4 in. x 1-1/8 in. Universal & Reverse Gear Replacement Kit
47	BINRK-11074-01	Ball & Spring Replacement Kit
48	BINLG2145-999	Ball & Spring Replacement Kit
55	BINXB-SEL-030-17	Oil Seal

NOTE: RCF = Removeable Cushion Foot.

^Part included for reference only.

Models & Legs

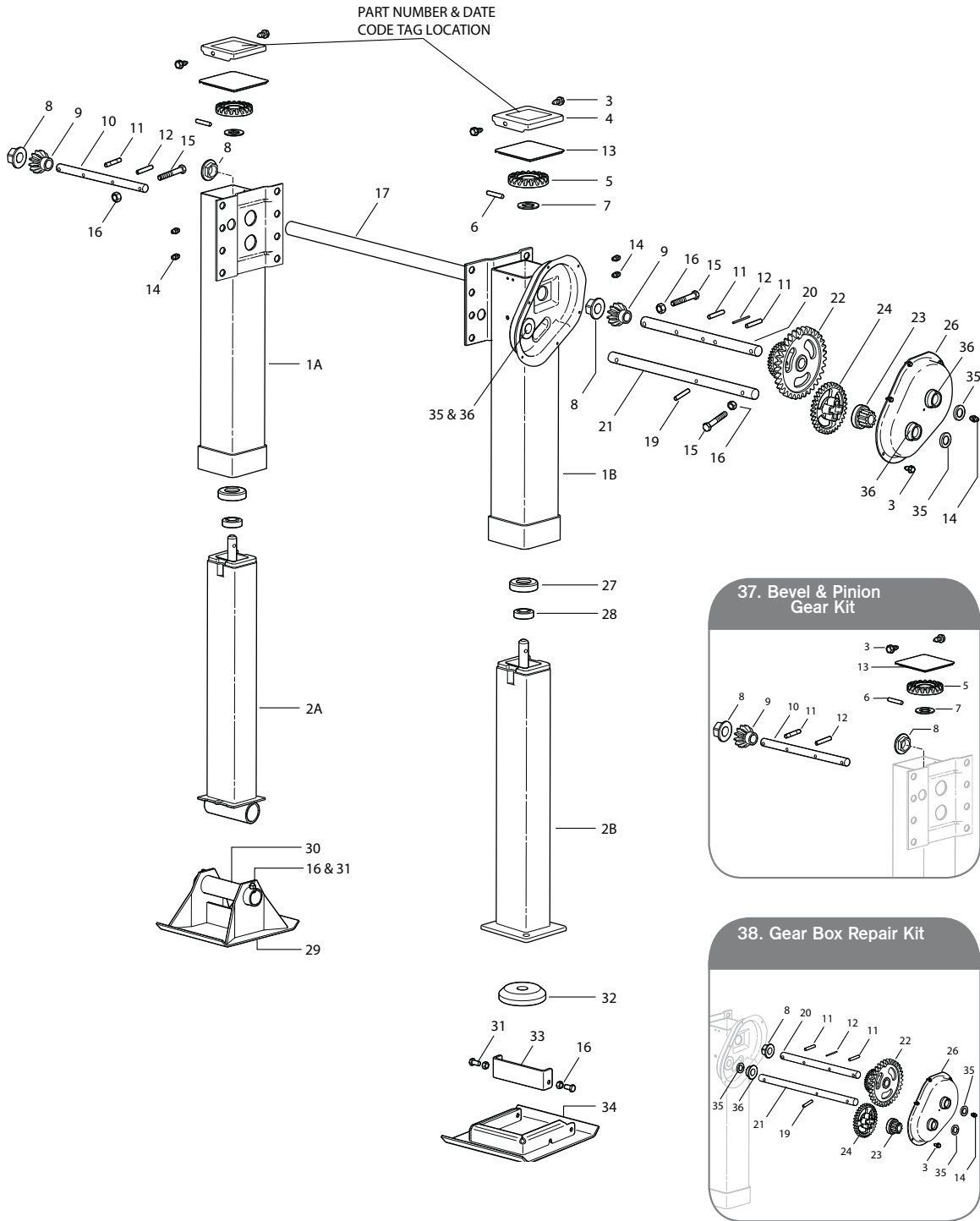
LGR

SAF Holland

Landing Gear

Holland Classic Series

Exploded View



Models & Legs

LGR

SAF Holland

Holland Classic Series

Components

Item	Part Number	Description
1A	N/A	Upper Housing LH
1B	N/A	Upper Housing RH
2A	LG3012-03 [^]	Lower Leg Assembly Sandshoe
2B	LG-742913 [^]	Lower Leg Assembly Low Profile RCF
3	BINXB-ST5-008-11	Self-Tapping Screw 1/4 in.-20 x 1/2 in.
4	HOL2111100004080	Cover - 4-1/2 x 4-1/2
5	HOLLG2884	Bevel Gear, Machined
6	HOLXA-CRP-V-06635	Pin - 3/8 in. x 2 in.
7	HOLXB-PW-016-62	Flat Washer
8	HOLLG2926	Hex Lock Boss
9	HOLLG1823-02	Pinion Gear, Drilled
10	Jack Shaft LH	
	LG-750004-01 [^]	- Universal Mount
	LG-750004-04 [^]	- I-Beam Mount
	LG-750004-05 [^]	- Extended I-Beam
	LG-750004-02 [^]	- Conventional Mount
	LG-750004-03 [^]	- Reverse Mount
11	BINXB-GP-014-18	Groove Pin 3/8 in. x 1-1/2 in. Type E
12	BINXB-SP-014-27	Spring Pin 1/4 in. x 1-1/2 in.
13	XB-LG0893 [^]	Cover Gasket
14	HOLXB-GRF-022-16	Grease Fitting
15	BINXB-HHC-050-42	Screw - Hex Cap Lg Gr5 3/8 in.-16 x 2-1/4 in.
16	HOLXB-SLN-012-04	Self Locking Nut 3/8 in.-16 Grade B
17	BINLG0094-XXX	Cross Drive Shaft
19	KYS725046	Groove Pin 5/16 in. x 1-1/2 in.
20	Jack Shaft RH	
	LG-750002-01 [^]	- Universal Mount
	LG-750002-04 [^]	- I-Beam Mount
	LG-750002-05 [^]	- Extended I-Beam
	LG-750002-02 [^]	- Conventional Mount
	LG-750004-03 [^]	- Reverse Mount
21	Shift Shaft	
	LG-751175-01 [^]	- Universal Mount
	LG-751175-02 [^]	- Conventional & I-Beam
	LG-751175-03 [^]	- Reverse Mount

Item	Part Number	Description
22	KYS750009	Output Gear
23	KYS751173	Input Gear - Low
24	KYS751174	Input Gear - High
26	KYS741158	Gear Box Assembly Outside Half
27	BINXBBRG01377	Thrust Bearing
28	BINXB-LG0544	Collar
29	Sandshoe	
	BINLG0055	- 10 in. x 10 in. x 4-1/2 in.
	BINLG0056	- 10 in. x 10 in. x 2 in.
30	BINLG0070-02	Axle Assembly
31	Hex Cap Screw	
	HOLXB-HHC-050-69	- 3/8 in.-16 x 3/4 in. GR 5 Sandshoe
	HOL201205	- 3/8 in.-16 x 1 in. Low Profile RCF
32	KYS728003	Rubber Pad
33	KYS730638	Strap
34	KYS730640	Low Profile RCF 10 in. x 10 in.
35	BINXB-SEL-030-17	Oil Seal - 1 in. Shaft
36	XB-LG0659 [^]	Gear Box Boss
37	HOLRK-11488	Bevel & Pinion Gear Kit Universal
38	HOLRK-11489	Gear Box Repair Kit Universal

NOTE: RCF = Removeable Cushion Foot.
[^]Part included for reference only.

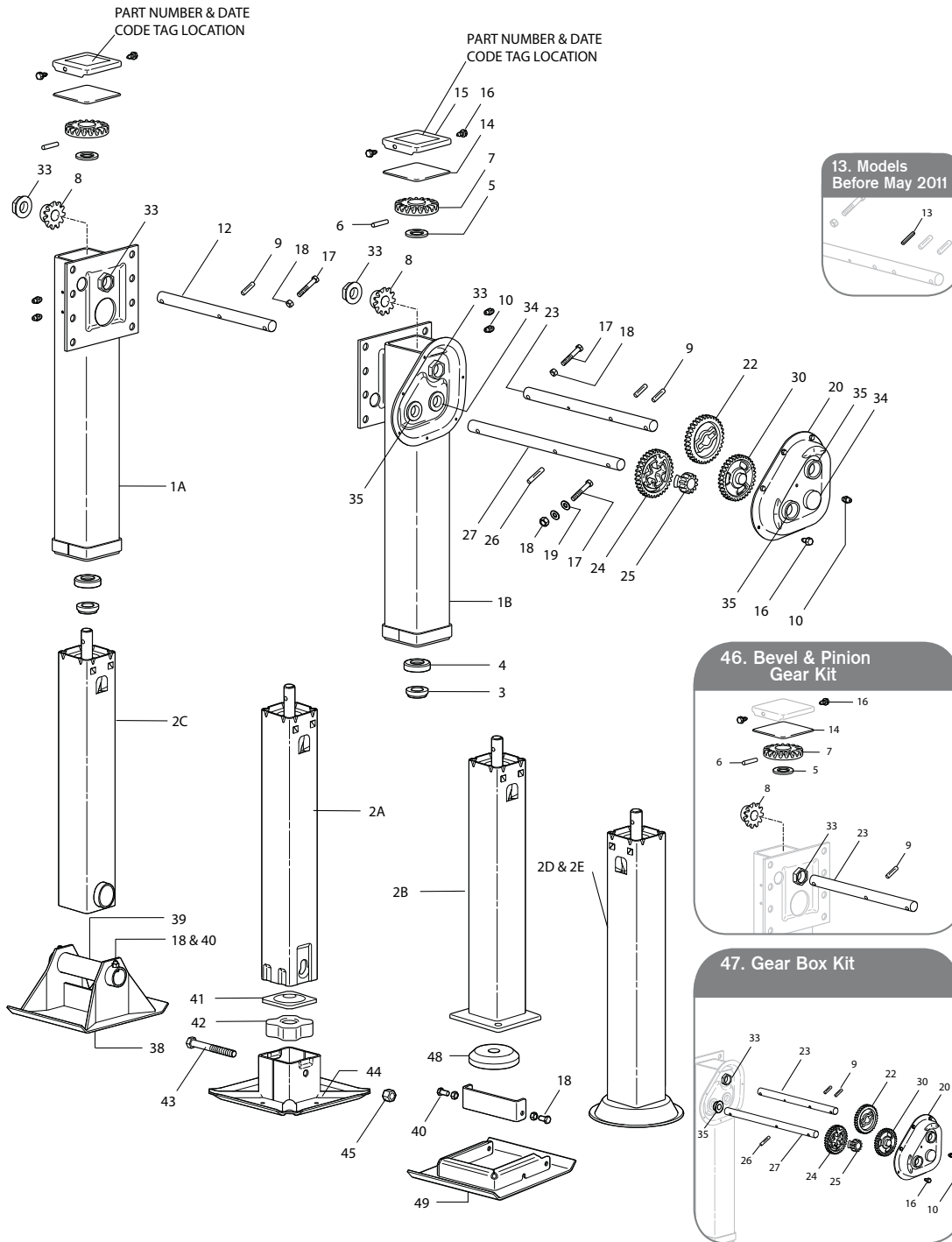
Models & Legs

LGR

Landing Gear

Holland Atlas 55 Series

Exploded View



Models & Legs

LGR

SAF Holland

Holland Atlas 55 Series

Components

Item	Part Number	Description
1A	N/A	Upper Housing LH
1B	N/A	Upper Housing RH
2A	LG3053-04 [^]	Retract Tube - RCF
2B	LG3097-03 [^]	Retract Tube Low Profile RCF
2C	LG3012-03 [^]	Retract Tube Axle
2D	LG3061-04 [^]	Retract Tube 10 in. Shock Foot
2E	LG3061-05 [^]	Retract Tube 10 in. Shock Foot
3	BINXB-LG0544	Collar
4	BINXBBRG01377	Thrust Bearing
5	HOLXB-PW-016-62	Washer - FL 2 in. OD 1-3/16 in. ID, 1/8 in. Thk.
6	HOLXA-CRP-V-06635	Pin - 3/8 in. x 2 in.
7	HOLLG2884	Bevel Gear
8	HOLLG1823-02	Pinion Gear
9	BINXB-GP-014-18	Groove Pin 3/8 in. x 1-1/2 in.
10	HOLXB-GRF-022-16	FTG - Grease 1/4 in.-28 Self-Tapping
12	Jack Shaft LH	
	HOLLG2964-01	- Universal Mount
	HOLLG2964-04	- I-Beam Mount
	HOLLG2964-02	- Conventional Mount
	HOLLG2964-03	- Reverse Mount
13		Spring Pin 1/4 in. x 1-1/2 in.
14	XB-LG0893 [^]	Cover Gasket
15	HOL2111100004080	Top Cover
16	BINXB-ST5-008-11	Self-Tapping Screw 1/4 in. - 20 x 1/2 in. Lg
17	BINXB-HHC-050-42	Screw - Hex Cap Lg Gr5 3/8 in.-16 x 2-1/4 in.
18	HOLXB-SLN-012-04	Self Locking Nut 3/8 in.-16 Grade B
19	BINXB-PW-016-03	Washer - 3/8 in.
20	HOLLG2996	Gearbox Half - Outside w/Hole for Grease Fitting
22	HOLLG2980	Output Gear

Item	Part Number	Description
23	Jack Shaft RH	
	HOLLG2963-01	- Universal Mount
	HOLLG2963-04	- I-Beam Mount
	LG2963-02 [^]	- Conventional Mount
	LG2963-03 [^]	- Reverse Mount
24	HOL2040100000060	Input Gear - High
25	HOL2040100000050	Input Gear - Low
26	BINXB-GP-052-21	Groove Pin Type E 3/8 in. x 2 in. LG
27	Shift Shaft	
	HOLLG3011-01	- Universal
	HOLLG3011-02	- I-Beam & Conventional
	HOLLG3011-03	- Reverse
30	HOLLG2975	Idler Gear
33	HOLLG2926	Hex Lock Boss
34	LG3005 [^]	Output Shaft Bushing
35	HOLLG0659-10	Boss Bearing - Sealed
38	Sandshoe	
	BIN50616001	- 10 in. x 10 in. x 4-1/2 in.
	HOL50616000	- 10 in. x 12 in. x 4-1/2 in.
	BIN50616008	- 10 in. x 10 in. x 2 in.
	HOL50616007	- 10 in. x 12 in. x 2 in.
39	BINLG0070-02	Sand Shoe Axle Hollow Axle 8-1/2 in. Lg
40	HOLXB-HHC-050-69	Screw - Hex Cap 3/8 in.-16 x 3/4 in. Gr5
41	BINLG0725	Cushion Foot Plate
42	BINLG0726	Cushion Foot Rubber
43	HOLXB-HHB-050-70	Bolt - Hex Head 5/8 in.-11 x 5-1/2 in.
44	Removeable Cushion Foot	
	BINLG0718-01	- 10 in. Diameter
	BINLG0740-01	- 12 in. Diameter
	BINLG048-01	- 10 in. x 10 in.
45	BINXB-SP0012-10	Self-Locking Nut 5/8 in.-11
46	HOLRK-11442	Bevel & Pinion Gear Repair Kit
47	HOLRK-11443	Gear Box Repair Kit
48	KYS728003	Cushion Foot Pad Low Profile RCF
49	730639 [^]	Interchangeable Collar Low Profile RCF

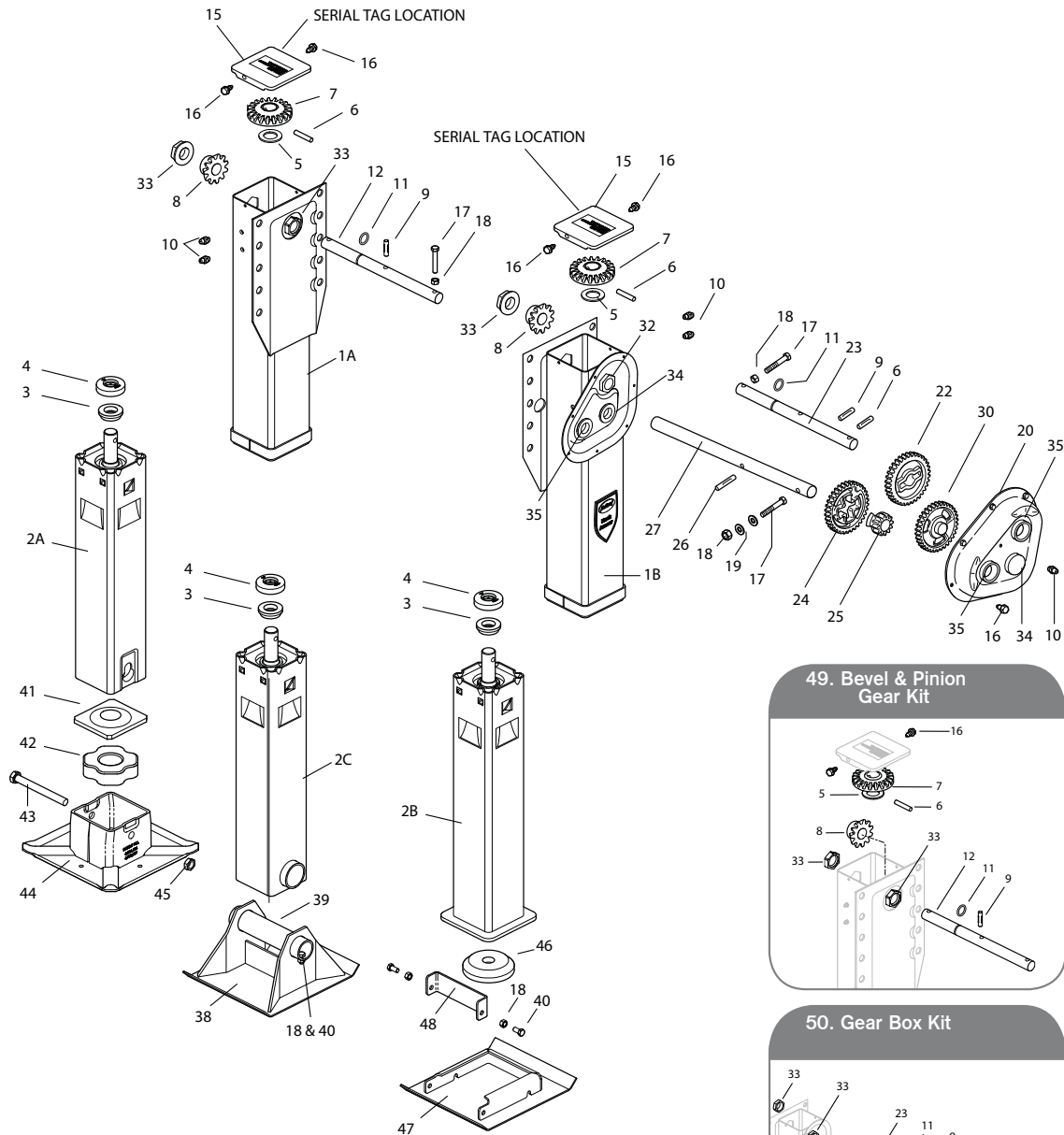
NOTE: RCF = Removeable Cushion Foot.

[^]Part included for reference only.

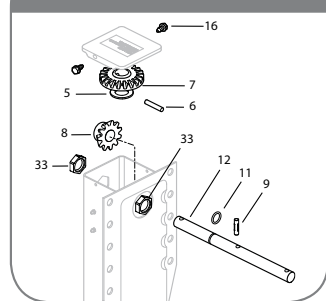
Landing Gear

Holland Atlas 65 Series

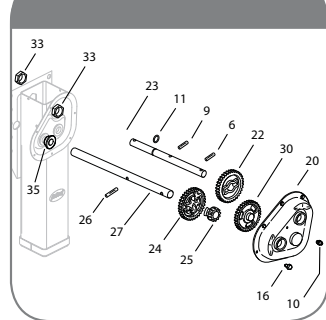
Exploded View



49. Bevel & Pinion Gear Kit



50. Gear Box Kit



NOTE: RCF = Removeable Cushion Foot.
*Part included for reference only.

Models & Legs

LGR

SAF Holland

Holland Atlas 65 Series

Components

Item	Part Number	Description
1A	N/A	Upper Housing LH
1B	N/A	Upper Housing RH
2A	2111200000150 [^]	Retract Tube - RCF
2B	2111200002510 [^]	Retract Tube Low Profile RCF
2C	2111200000250 [^]	Retract Tube - Axle
3	BINXB-LG0544	Collar
4	BINXBBRG01377	Thrust Bearing
5	HOLXB-PW-016-62	Washer - FL 2 in. OD 1-3/16 in. ID, 1/8 in. Thk.
6	HOLXA-CRP-V-06635	Pin - Dia 3/8 in. x 2 in.
7	HOLLG2884	Bevel Gear
8	HOLLG1823-02	Pinion Gear
9	BINXB-GP-014-18	Groove Pin Dia 3/8 in. x 1-1/2 in.
10	HOLXB-GRF-022-16	Ftg - Grease 1/4 in.-28 Self-Tapping
11	XB-RNG-021-13 [^]	O-Ring
12	Jack Shaft LH	
	HOL2111100000430	Universal Mount
	HOL2111100000460	I-Beam Mount 6-1/2 in.
	2111100000470 [^]	I-Beam Mount - 10 in.
	HOL2111100000440	Conventional Mount
	HOL2111100000450	Reverse Mount
15	HOL2111100000530	Top Cover
16	BINXB-ST5-008-11	Self-Tapping Screw 1/4 in.-20 x 1/2 in. Lg
17	BINXB-HHC-050-42	Screw, Hex Cap 3/8 in.-16 x 2-1/4 in. GR5
18	HOLXB-SLN-012-04	Self-Locking Nut 3/8 in.-16
19	BINXB-PW-016-03	Washer 3/8 in. Std Type A
20	HOLLG2996	Gearbox Half, Outside w/Hole for Grease Fitting Includes (1) Idler Shaft Bushing & (2) Boss Bearing - Sealed
22	HOLLG2980	Output Gear
23	Jack Shaft RH	
	HOL2111100000480	Universal Mount
	HOL2111100000510	I-Beam Mount 6-1/2 in.
	2111100000520 [^]	I-Beam Mount - 10 in.
	HOL2111100000490	Conventional Mount
	HOL2111100000500	Reverse Mount

Item	Part Number	Description
24	HOL2040100000060	Input Gear - High
25	HOL2040100000050	Input Gear - Low
26	BINXB-GP-052-21	Groove Pin Type E Dia 3/8 in. x 2 in. Lg
27	Shift Shaft	
	HOLLG3011-01	Universal
	HOLLG3011-02	I-Beam & Conventional
	HOLLG3011-03	Reverse
30	HOLLG2975	Idler Gear
32	HOL2022100000190	Hex Lock Boss
33	2022300000020 [^]	Hex Lock Boss - Sealed
34	HOLLG3005	Idler Shaft Bushing
35	HOLLG0659-10	Boss Bearing - Sealed
38	Sandshoe	
	BINLG0056	10 in. x 10 in. x 2 in.
	BINLG0051	10 in. x 12 in. x 2 in.
	HOL50616009	12 in. x 12 in. x 2 in.
	HOLLG0056-02	10 in. x 10 in. x 2 in. HD
	BINLG0055	10 in. x 10 in. x 4-1/2 in.
	BINLG0050	10 in. x 12 in. x 4-1/2 in.
	LG0065-04 [^]	12 in. x 12 in. x 4-1/2 in.
	LG1815-05 [^]	16 in. x 16 in. x 4-1/2 in.
	HOLLG0055-01	10 in. x 10 in. x 4-1/2 in. HD
	BINLG0065	10 in. x 12 in. x 4-1/2 in. HD
	BINLG0065-01	12 in. x 12 in. x 4-1/2 in. HD
	LG0065-02 [^]	12 in. x 17 in. x 4-1/2 in. HD
39	BINLG0070-02	Sandshoe Axle Hollow Axle 8-1/2 in. Lg
40	HOLXB-HHC-050-69	Screw, Hex Cap Gr5 3/8 in.-16 x 3/4 in. Lg.
41	HOL2034160000150	Cushion Foot Plate
42	BINXB-LG0713	Cushion Foot Rubber
43	BINXB-HHB-050-58	Bolt - Hex Head 5/8 in.-11 x 6 in.
44	HOL2034200000170	RCF - 10 in. x 10 in.
45	BINXB-SP0012-10	Self-Locking Nut 5/8 in.-11
46	KYS728003	Cushion Foot Pad Low Profile RCF
47	KYS730640	Low Profile RCF
48	KYS730638	Interchangeable Strap
49	RK-11682 [^]	Bevel & Pinion Gear Repair Kit
50	HOLRK-11683	Gear Box Repair Kit

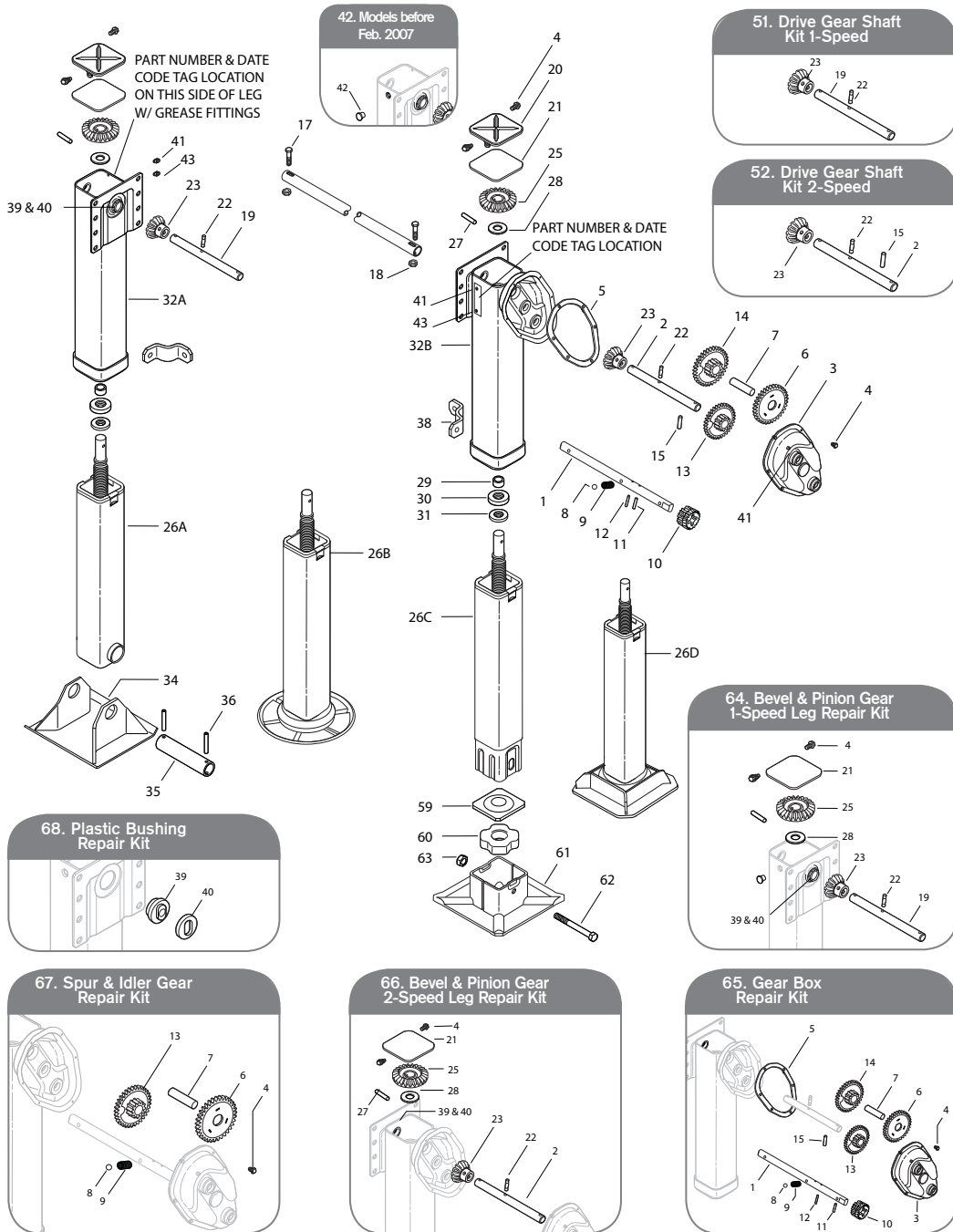
Models & Legs

LGR

Landing Gear

Holland Mark V Series

Exploded View



NOTE: RCF = Removeable Cushion Foot.
 *Part included for reference only.

Models & Legs

LGR

SAF Holland

Holland Mark V Series

Components

Item	Part Number	Description
1	Jack Shaft LH	
	HOLXA-V-06623-A	Universal
	HOLXA-V-06623-D	I-Beam
	HOLXA-V-06623-F	Extended I-Beam
	HOLXA-V-06623-C	Conventional
	XA-V-06623-B^A	Reverse
2	Jack Shaft RH	
	BINXA-V-06624-A	Universal
	HOLXA-V-06624-D	I-Beam
	HOLXA-V-06624-F	Extended I-Beam
	HOLXA-V-06624-C	Conventional & Reverse
3	HOLXA-V-06618	Gearbox Cover Assembly
4	HOLXB-06372	Thread Rolling Screw
5	HOLXB-V-06621	Gearbox Gasket
6	HOLXA-V-06602	Idler Gear
7	HOLXA-V-07085	Idler Gear Shaft
8	BINXB-BAL-023-07	Ball
9	BINXB-SPG-020-36	Spring
10	BINXA-V-06604-1	Input Gear - Low
11	HOLXA-CRP-V-06633	Pin- 1/4 in. x 1-7/16 in.
12	HOLXB21-S-218-1500	Spring Pin 7/32 in. x 1-1/2 in.
13	BINXA-V-06603	Input Gear - High
14	BINXA-V-06606	Output Gear
15	HOLCRP-V-06634	Pin- 3/8 in. x 1-1/2 in.
17	HOLXB-V-444-4	HHCS 3/8 in.-16 x 2 in.
18	HOLXB-338	Lock Nut - 3/8 in.-16
19	Shift Shaft RH	
	HOLXA-V-06625-A	Universal
	HOLXA-V-06625-C	I-Beam
	HOLXA-V-06625-F	Extended I-Beam
	HOLXA-V-06625-C	Conventional
	HOLXA-V-06625-B	Reverse
20	HOLXA-V-06611	Upper Leg Cover
21	HOLXB-V-07054	Gasket
22	XB-GP-38-A-12-E^A	Groove Pin 3/8 in. x 1-1/2 in.
23	BINXA-V-06600	Pinion Gear
25	BINXA-V-06601	Bevel Gear
26	Standard Retract Tube	Inner Leg & Screw Assy
26A	XA-V-06628-404-0	Axle
26B	XA-V-06628-414-1	Self Leveling
26C	XA-V-06628-413-2	RCF
26D	XA-V-06628-414-5	Shockfoot
27	HOLXA-CRP-V-06635	Pin- 3/8 in. x 2 in.
28	HOLXB-V-06632	Washer
29	HOLXB-V-06630	Bushing
30	HOLXB-V-647	Thrust Bearing
30	HOLXB-V-647-1	Thrust Bearing - HD
31	HOLXA-V-06629	Collar
32A-B	Upper Leg	1-Speed, 2-Speed

Item	Part Number	Description
34	Sandshoe	
	BINLG0050	12 in. x 11-1/2 in. x 4-1/2 in.
	BINLG0051	12 in. x 11-1/2 in. x 2 in.
	HOLXA-V-796-WS	10 in. x 11-1/2 in. x 3-13/16 in.
	BINLG0056	10 in. x 11-1/2 in. x 2 in.
	HOLXA-HV-796	12 in. x 16 in. x 4 in.
35	HOLXA-V-1901-1	Standard Axle
	HOLXA-V-1903-1	Solid Axle
36	HOLXB-21-S-375-300	Roll Pin- 3/8 in. x 3 in.
38	HOLXA-V-1938	Brace Lug
39	HOLXB-LG-0559	Bearing
40	HOLXB-LG-1570	Retainer
41	HOLXB-767	Lube Fitting
42	XB-01789^A	Plastic Plug
43	HOLXB-767-L	Lube Fitting with Extension
47	HOLXA-V-971	Crankshaft Bracket
48	HOLXB-V-1915	Crank Hanger
	BINXB-LG0085	Crank Hanger
49	Extension Shaft	
	HOLXA-V-1916	Long - 15-7/16 in.
	HOLXA-V-1916-1	Short - 8-15/16 in.
50	HOLXA-V-630-2	Crankshaft Coupling
51	HOLRK-V-07781	Drive Gear Shaft Kit 1-Speed
52	HOLRK-V-07780	Drive Gear Shaft Kit 2-Speed
53	HOLXB-GP-38-138-5	Groove Pin 3/8 in. x 1-3/8 in.
54	HOLXB-3103	Lock Nut- 1/4 in. - 28
55	HOLXB-07618	HHCS 1/4 in. - 28 x 3 in.
56	Extension Bracket	
	HOLXA-V-07601-1	Long - 15-9/16 in.
	HOLXA-V-07601-2	Short - 9-1/16 in.
57	Extension Bracket & Shaft Kit	
	HOLRK-V-07602-1	Long - 15-9/16 in.
	HOLRK-V-07602-2	Short - 9-1/16 in.
58	Extension Bracket & Shaft Kit	
	RK-V-1997-1^A	Long - 15-7/16 in.
	RK-V-1997-2^A	Short - 8-15/16 in.
59	BINLG1829	Cushion Foot Plate
60	BINXB-LG0713	Rubber Cushion
61	HOLXA-V-796-RCF	Removable Cushion Foot
62	HOLXB-HHC-050-114	Hex Head Screw 5/8 in.-11 x 6 in. Gr2
63	HOLXB-06179-2	Top Lock Nut 5/8 in.-11 GrC
64	HOLRK-11286	Bevel & Pinion Gear Repair Kit
65	HOLRK-11287	Gear Box Repair Kit

Models & Legs

LGR

S&P Holland

Landing Gear

Holland Legs & Sets

Atlas 55 Series

	Type	Travel	Footware	Additional
BINLG400B-72000000	Set			
BINLG4003-71000000	Non Gear Leg	17 in.	10 in. x 10 in. x 2 in. Sandshoe Low Profile	
BINLG4003-72000000	Gear Leg			
BINLG4001-70000000	Set			
BINLG4001-71000000	Non Gear Leg	17 in.	10 in. x 10 in. x 4-1/2 in. Sandshoe	
BINLG4001-72000000	Gear Leg			
LG4008-70600000[^]	Set			
BINLG4008-71600000	Non Gear Leg	17 in.	Shockfoot - 10 in. Diameter	Retract Tube - Shock Can
BINLG4008-72600000	Gear Leg			
BINLG400B-70500000	Set			
BINLG400B-71500000	Non Gear Leg	17 in.	10 in. x 10 in. Removeable Cushion Foot	RCF MRL
BINLG400B-72500000	Gear Leg			
BINLG4001-900000	Set			
BINLG4001-91000000	Non Gear Leg	19 in.	10 in. x 10 in. x 4-1/2 in. Sandshoe	
BINLG4001-92000000	Gear Leg			
BINLG400B-70000000	Set			
BINLG400B-71000000	Non Gear Leg	19 in.	10 in. x 10 in. Removeable Cushion Foot	
BINLG400B-72000000	Gear Leg			

[^]Part included for reference only.



(BINLG4001-70000000)

Atlas 55 Series Capacities

Lifting Capacity - Rated	55,000 lbs.
100 ft. lbs. Input Torque	
Ultimate Load Capacity	170,000 lbs.
Side Load Capacity	30,000 lbs.

Atlas 65 Series

	Type	Travel	Footware
BINLG5001-70000000	Set		
BINLG5001-71000000	Non Gear Leg	17 in.	10 in. x 10 in. x 4-1/2 in. Sandshoe
BINLG5001-72000000	Gear Leg		
BINLG5008-70000000	Set		
BINLG5008-71000000	Non Gear Leg	17 in.	Shockfoot - 10 in. Diameter
BINLG5008-72000000	Gear Leg		



(BINLG5001-70000000)

Atlas 65 Series Capacities

Lifting Capacity - Rated	65,000 lbs.
100 ft. lbs. Input Torque	
Ultimate Load Capacity	170,000 lbs.
Side Load Capacity	34,000 lbs.

Models & Legs

LGR

SAF Holland

Holland Legs & Sets

Mark V Series

	Type	Travel	Footware	Additional
HOLLGS-3A001	Set			
HOLXA-S9-3A001	Non Gear Leg	16-1/2 in.	Self-Leveling Dia. 12 in.	
HOLXA-S8-3A001	Gear Leg			
HOLLGS-3A105	Set			
HOLXA-S9-3A105	Non Gear Leg	16-1/2 in.	11-1/2 in. x 12 in. x 4-1/2 in. Std Skid Foot	
HOLXA-S8-3A105	Gear Leg			
HOLLGS-5A105	Set			
HOLXA-S9-5A105	Non Gear Leg	18.7 in.	11-1/2 in. x 12 in. x 4-1/2 in. Std Skid Foot	
HOLXA-S8-5A105	Gear Leg			



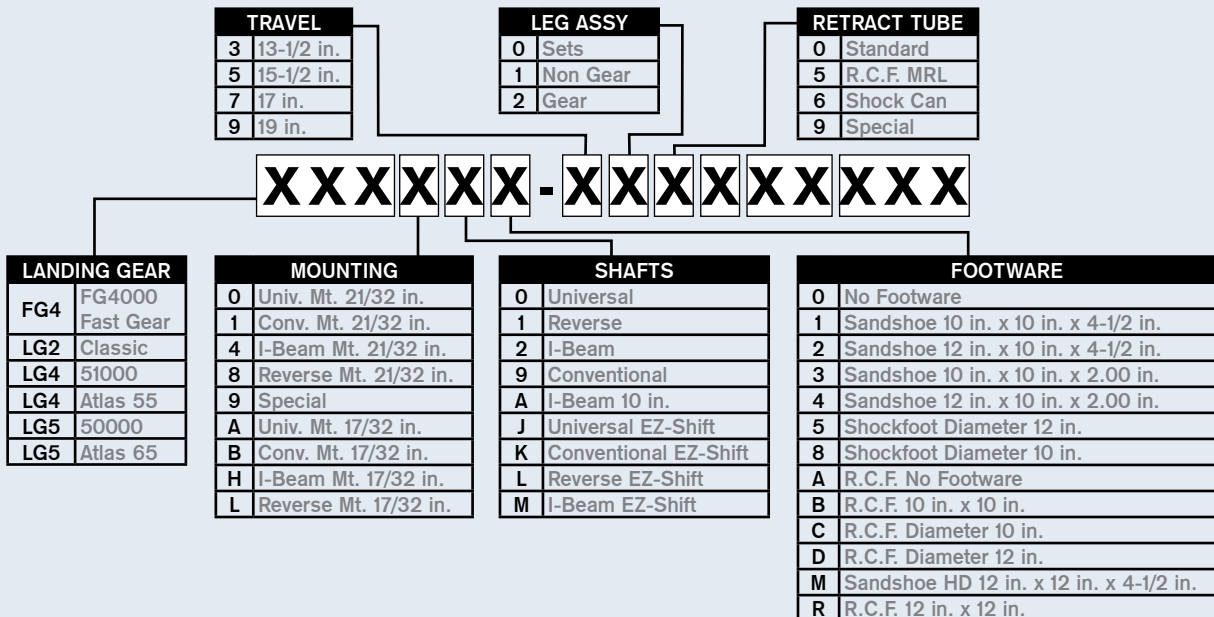
(HOLLGS-3A105)

Mark V Series Capacities

Lifting Capacity - Rated	39,000 lbs.
100 ft. lbs. Input Torque	
Ultimate Load Capacity	140,000 lbs.
Side Load Capacity	27,000 lbs.

Quick Reference

SAF-Holland Part Numbers



Models & Legs

LGR

Landing Gear

Holland Legs & Sets

Classic Series

	Type	Travel	Footware
PROLG100T-17H	Set		
PROLG100T-17H-1	Non Gear Leg	17 in.	10 in. x 10 in. x 4-1/2 in. Sandshoe
PROLG100T-17H-2	Gear Leg		
PROLG100T1-17H	Set		
PROLG100T1-17H-1	Non Gear Leg	17 in.	10 in. x 10 in. x 2 in. Sandshoe
PROLG100T1-17H-2	Gear Leg		
PROLG100G-17H	Set		
PROLG100G-17H-1	Non Gear Leg	17 in.	10 in. x 10 in. Cushion Foot
PROLG100G-17H-2	Gear Leg		



(PROLG100T1-17H)

Classic Series Capacities

Lifting Capacity - Rated	39,000 lbs.
100 ft. lbs. Input Torque	
Ultimate Load Capacity	140,000 lbs.
Side Load Capacity	27,000 lbs.

Models & Legs

LGR



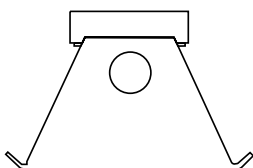
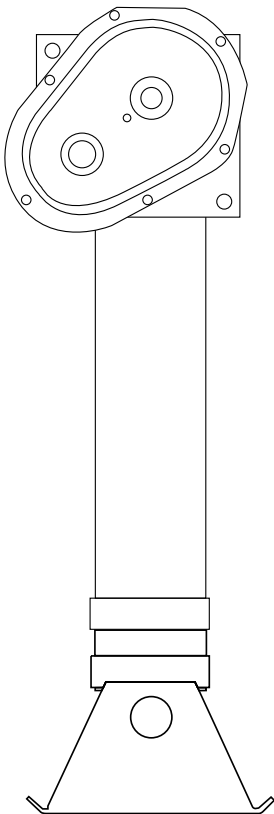
More Information

Landing Gear Identification

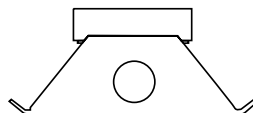
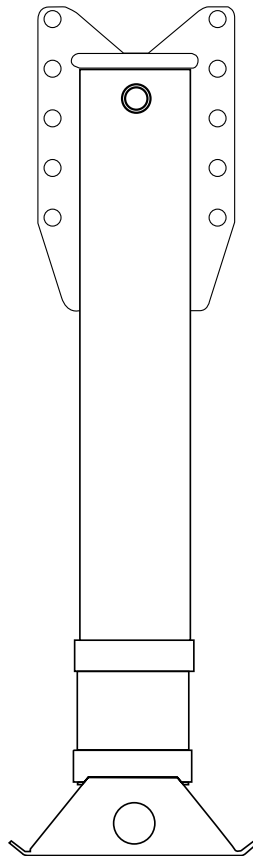
- External Gear Box
- Standard mount
- Standard Sandshoe

- Internal Gear Box
- Heavy Duty mount
- Low Profile Sandshoe

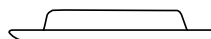
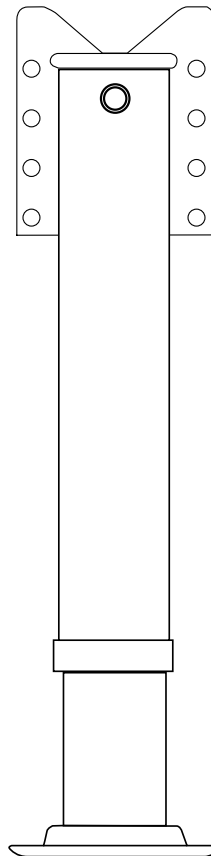
- Internal Gear Box
- Standard mount
- Cushion Foot



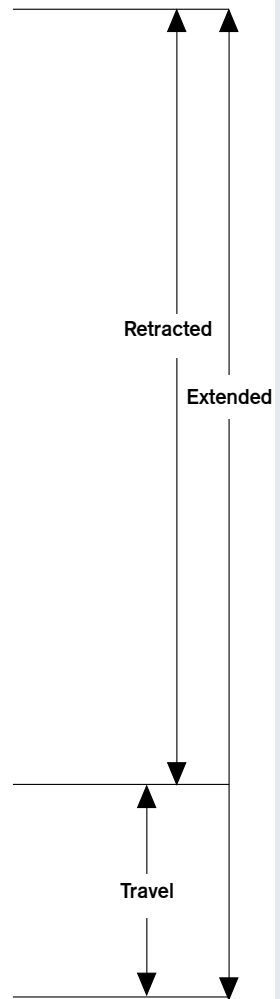
Standard Sandshoe



Low Profile Sandshoe



Cushion Foot



Models & Legs

LGR

Landing Gear

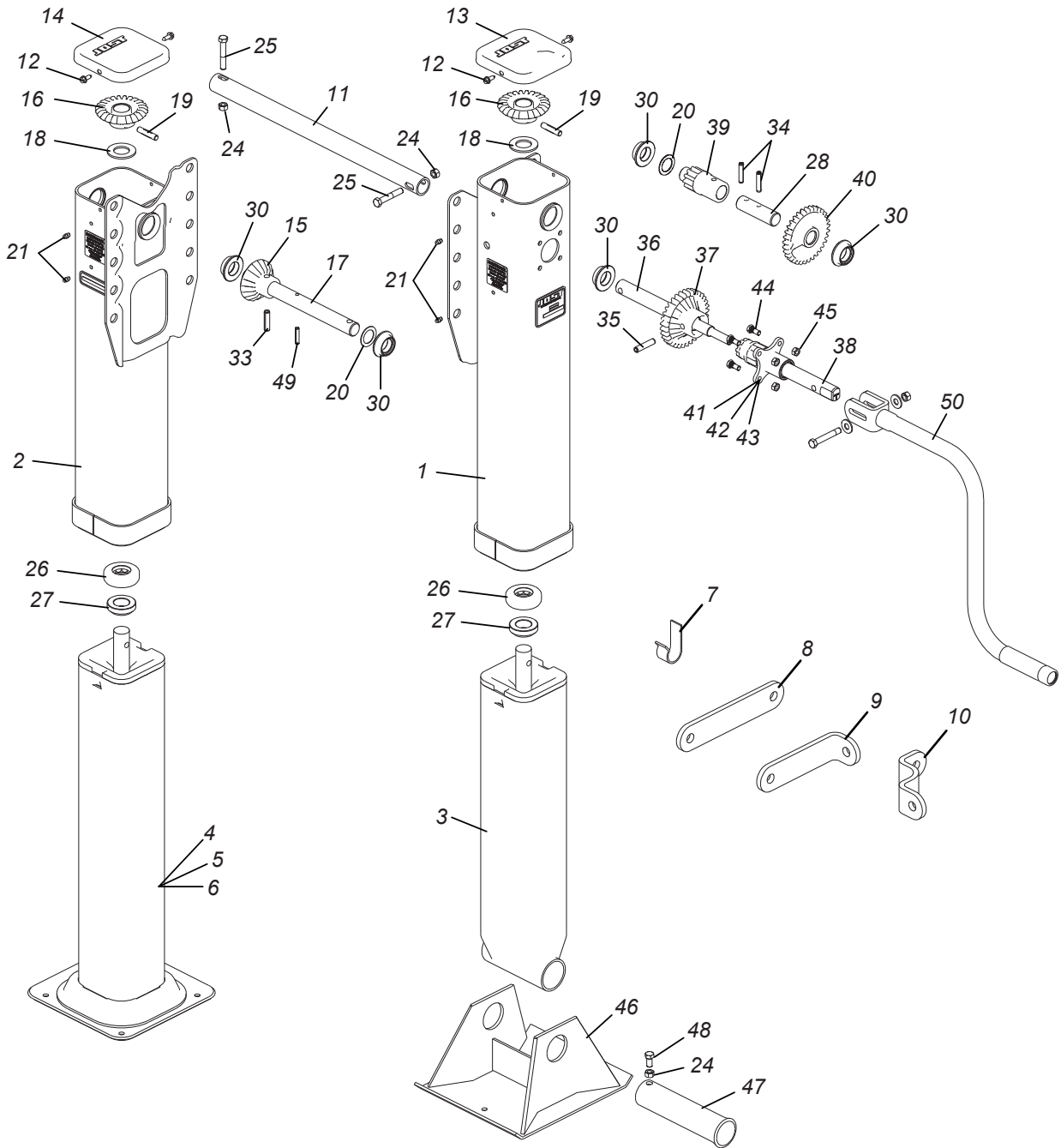
Jost

A400 - A401 Model - Exploded View

Models & Legs

LGR

JOST



Jost

Components

Item	Part Number	Description
1	D10201.1[^]	Outer Housing 2 Speed
2	D10116.2[^]	Outer Housing 1 Speed
3	C10140.2[^]	Inner Leg Assy - Standard
4	C10146.2[^]	Inner Leg Assy - 10 in. Cushion
5	C10254.2[^]	Inner Leg Assy - 12 in. Cushion
6	C10580.2[^]	Inner Leg Assy - G3
7	JOSB10261	Crank Hanger
8	JOSC10262	Brace Lug- Flat
9	JOSC10263	Brace Lug- 90°
10	JOSC10108	Brace Lug- W Standard
11	JOSB10066.68.4	Intermediate Cross Shaft
12	A10059.1[^]	Cover Screw
13	JOSC10217	Cover- 2 Speed
14	JOSC10259	Cover- 1 Speed
15	JOSC-10177	Pinion Gear
16	JOSC10155	Bevel Gear
17	JOSB10130	Pinion Shaft- 1 Speed
18	JOSA10102	Thrust Washer
19	JOSA10052.3	Grooved Pin
20	JOSA10218	Spacer Washer
21	A10040[^]	Grease Fitting
22	JOSA10283	Grease Seal
23	C10209[^]	Strut Brace
24	NUT-HNUNY06	Self Locking Nut
25	A10037.1[^]	Cross Shaft Bolt 3/8 in. x 2 in. Gr5
26	JOSA10033	Thrust Bearing
27	JOSA10101	Collar
28	A10212[^]	Output Shaft
30	JOSA10255	Bushing
31	A10642.2[^]	Detent Bushing
33	JOSA10054.3	Roll Pin- 3/8 in. x 1-1/2 in.
34	JOSA10260.1	Spiral Pin
35	JOSA10054.7	Roll Pin- 3/8 in. x 1-3/4 in.
36	JOSB10236	Output Cluster Shaft
37	JOSC10234	Output Cluster Gear

Item	Part Number	Description
38	JOSC10233	Input Gear Shaft
39	JOSC10078	Output Spur Gear
40	JOSC10085	Input Spur Gear
41	JOSA10049	Detent Spring
42	JOSA10048	Detent Ball
43	JOSB10229	Shift Housing
44	A10230[^]	Shift Housing Bolt
45	A10038.6[^]	Self Locking Nut
46	Shoe	
	JOSC10035	10 in. x 10 in. x 4-1/2 in.
	JOSC10135	10 in. x 10 in. x 2 in.
	JOSC10256	10 in. x 12 in. x 4-1/2 in.
	JOSC10257	10 in. x 12 in. x 2 in.
47	JOSB10036	Shoe Axle
48	A10037.3[^]	Hex Head Bolt
49	A10054.6[^]	Roll Pin- 1/4 in. x 1-1/4 in.
50	JOSC10592.2	Standard Crank with Hardware

NOTE: RCF = Removeable Cushion Foot.

[^]Part included for reference only.

Additional Shoe & Kit Options

Removeable Cushion Foot Assy **JOSC11188**
- 1 in. x 10 in. x 10 in.

Removeable Cushion Foot Assy **JOSC111502**
- 1 in. x 12 in. x 12 in.

Cushion Foot Service Kit **JOSC10717**
- Includes Cushion Foot Ring
Halves, Rubber Cushion &
Cushion Foot Base

Landing Gear

Jost Legs & Sets

Standard - Outside Mount

	Type	Travel	Footware	Additional
JOSA400T-17	Set			
JOSA400LT-17	Non Gear Leg	17 in.	10 in. x 10 in. x 4-1/2 in. Sandshoe	Standard Zerk Fitting
JOSA400RT-17	Gear Leg			
JOSA400T1-17	Set			
JOSA400LT1.17	Non Gear Leg	17 in.	10 in. x 10 in. x 2 in. Sandshoe	Standard Zerk Fitting
JOSA400RT1.17	Gear Leg			
JOSA400G-17-08	Set			
JOSA400LG-17-08	Non Gear Leg	17 in.	10 in. x 10 in. Cushion Foot	65° Zerk Fitting
JOSA400RG-17-08	Gear Leg			
JOSA400G3-17-08	Set			
JOSA400LG3-17-08	Non Gear Leg	17 in.	10 in. x 10 in. Low Profile Cushion Foot	65° Zerk Fitting
JOSA400RG3-17-08	Gear Leg			
JOSA400.T18.17	Set			
JOSA400L.T18.17	Non Gear Leg	17 in.	10 in. x 10 in. 4-1/2 in. Sandshoe	Solid Axle
JOSA400R.T18.17	Gear Leg			
JOSA400T-19	Set			
JOSA400LT-19	Non Gear Leg	19 in.	10 in. x 10 in. x 4-1/2 in. Sandshoe	Standard Zerk Fitting
JOSA400RT-19	Gear Let			
JOSA400T1-19-08	Set			
JOSA400LT1-19-08	Non Gear Leg	19 in.	10 in. x 10 in. x 2 in. Sandshoe	65° Zerk Fitting
JOSA400RT1-19-08	Gear Leg			
JOSA400G-19-08	Set			
JOSA400LG-19-08	Non Gear Leg	19 in.	10 in. x 10 in. Cushion Foot	65° Zerk Fitting
JOSA400RG-19-08	Gear Leg			

Standard - Inside Mount

	Type	Travel	Footware	Additional
JOSA401T-17	Set			
JOSA401LT-17	Non Gear Leg	17 in.	10 in. x 10 in. x 4-1/2 in. Sandshoe	Standard Zerk Fitting
JOSA401RT-17	Gear Leg			
JOSA401T1-17-08	Set			
JOSA401LT1-17-08	Non Gear Leg	17 in.	10 in. x 10 in. x 2 in. Sandshoe	65° Zerk Fitting
JOSA401RT1-17-08	Gear Leg			
JOSA401T1-17-14	Set			
JOSA401LT1-17-14	Non Gear Leg	17 in.	10 in. x 10 in. x 2 in. Sandshoe	Cold Weather Grease
JOSA401RT1-17-14	Gear Leg			
JOSA401G-17-08	Set			
JOSA401LG-17-08	Non Gear Leg	17 in.	10 in. x 10 in. Cushion Foot	65° Zerk Fitting
JOSA401RG-17-08	Gear Leg			
JOSA401G3-17-08	Set			
JOSA401LG3-17-08	Non Gear Leg	17 in.	10 in. x 10 in. Low Profile Cushion Foot	65° Zerk Fitting
JOSA401RG3-17-08	Gear Leg			
JOSA401G3-19	Set			
JOSA401LG3-19	Non Gear Leg	19 in.	10 in. x 10 in. Low Profile Cushion Foot	Standard Zerk Fitting
JOSA401RG3-19	Gear Leg			

Models & Legs

LGR

JOST

Jost Legs & Sets

Magnum - Inside Mount

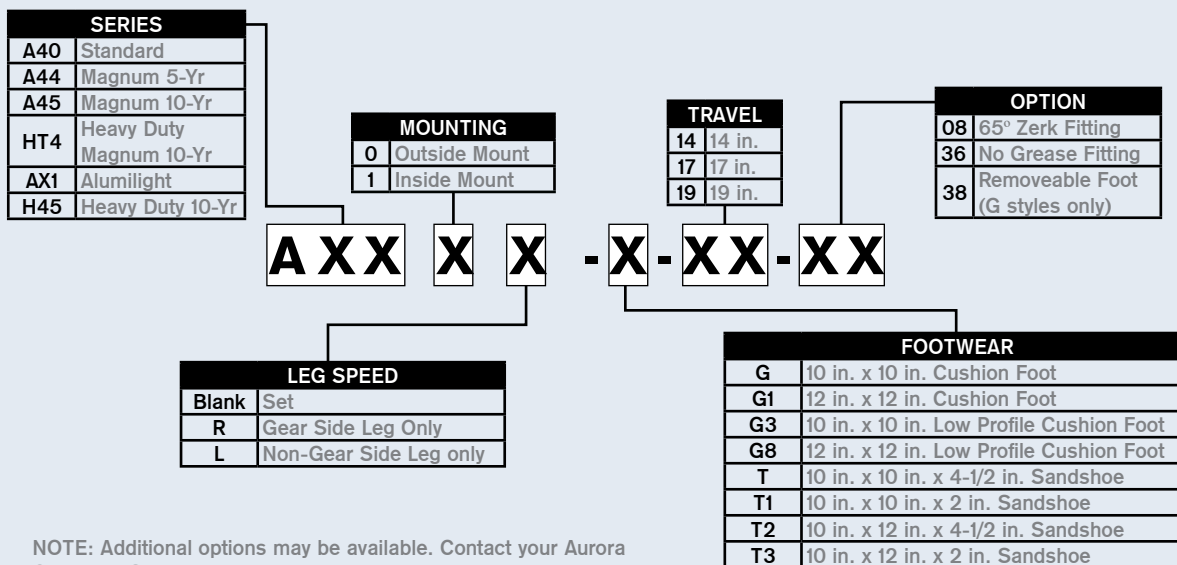
	Type	Travel	Footware	Additional
JOSA441T1-17-08	Set			
JOSA441LT1-17-08	Non Gear Leg	17 in.	10 in. x 10 in. x 2 in. Sandshoe	65° Zerk Fitting
JOSA441RT1-17-08	Gear Leg			
JOSA441.T1.17.08	Set			
JOSA441LG3-17-08	Non Gear Leg	17 in.	10 in. x 10 in. Low Profile Cushion Foot	65° Zerk Fitting
JOSA441RG3-17-08	Gear Leg			
A441T1-17-36^	Set			
JOSA441LT1-17-36	Non Gear Leg	17 in.	10 in. x 10 in. x 2 in. Sandshoe	No Grease Fitting
JOSA441RT1-17-36	Gear Leg			
JOSA441.G3.17.36	Set			
JOSA441LG3-17-36	Non Gear Leg	17 in.	10 in. x 10 in. Low Profile Cushion Foot	No Grease Fitting
JOSA441RG3-17-36	Gear Leg			

10 Year Magnum - Inside Mount

	Type	Travel	Footware	Additional
JOSA451G3-17	Set			
JOSA451LG3-17	Non Gear Leg	17 in.	10 in. x 10 in. Low Profile Cushion Foot	Standard Zerk Fitting
JOSA451RG3-17	Gear Leg			

Quick Reference

JOST Part Numbers



Capacities & Ratings

STANDARD	
Maximum Static Load Rating	160,000 lbs.
Rated Lift Capacity (100 ft. lbs. Input Torque)	55,000 lbs.
Side Load Capacity	29,000 per Set

MAGNUM & 10-YR MAGNUM	
Maximum Static Load Rating	170,000 lbs.
Rated Lift Capacity (100 ft. lbs. Input Torque)	62,500 lbs.
Side Load Capacity	33,000 per Set

Landing Gear

Pro-Par Legs & Sets

F-Style

	Type	Travel	Footware / Additional
PROK51PLT	Set		
PROK51PLT-1	Non Gear Leg	16-7/8 in.	10 in. x 10 in. x 4-1/2 in. Sandshoe
PROK51PLT-2	Gear Leg		



F-Style Capacities

Lifting Capacity - Rated	39,000 lbs.
100 ft. lbs. Input Torque	
Ultimate Load Capacity	140,000 lbs.
Side Load Capacity	27,000 lbs.

H-Style

	Type	Travel	Footware / Additional
PROLG100T-17H	Set		
PROLG100T-17H-1	Non Gear Leg	17 in.	10 in. x 10 in. x 4-1/2 in. Sandshoe
PROLG100T-17H-2	Gear Leg		
PROLG100T1-17H	Set		
PROLG100T1-17H-1	Non Gear Leg	17 in.	10 in. x 10 in. x 2 in. Sandshoe
PROLG100T1-17H-2	Gear Leg		
PROLG100G-17H	Set		
PROLG100G-17H-1	Non Gear Leg	17 in.	10 in. x 10 in. Cushion Foot
PROLG100G-17H-2	Gear Leg		
PROLG100T18-17H	Set		
PROLG100T18-17H-1	Non Gear Leg	17 in.	Low Profile Sandshoe Solid Axle
PROLG100T18-17H-2	Gear Leg		



H-Style Gear Kits

Gear Box Kit CMS2	HOLRK-11291
Bevel & Pinion Gear	HOLRK-11290
Repair Kit	

H-Style Capacities

Lifting Capacity - Rated	39,000 lbs.
100 ft. lbs. Input Torque	
Ultimate Load Capacity	140,000 lbs.
Side Load Capacity	27,000 lbs.

J-Style

	Type	Travel	Footware / Additional
PROLG101T-17J	Set		
PROLG101T-17J-1	Non Gear Leg	17 in.	10 in. x 10 in. x 4-1/2 in. Sandshoe Inside Mount
PROLG101T-17J-2	Gear Leg		
PROLG101T1-17J	Set		
PROLG101T1-17J-1	Non Gear Leg	17 in.	10 in. x 10 in. x 2 in. Sandshoe Inside Mount
PROLG101T1-17J-2	Gear Leg		
PROLG100T-17J	Set		
PROLG100T-17J-1	Non Gear Leg	17 in.	10 in. x 10 in. x 4-1/2 in. Sandshoe Outside Mount
PROLG100T-17J-2	Gear Leg		
PROLG100T1-17J	Set		
PROLG100T1-17J-1	Non Gear Leg	17 in.	10 in. x 10 in. x 2 in. Sandshoe Outside Mount
PROLG100T1-17J-2	Gear Leg		



J-Style Capacities

Lifting Capacity - Rated	50,000 lbs.
100 ft. lbs. Input Torque	
Ultimate Load Capacity	140,000 lbs.
Side Load Capacity	26,000 lbs.

Pro-Par

Models & Legs

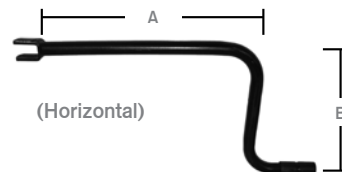
LGR



Crank Handles

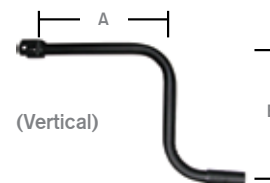
Horizontal Fold

	A	B	Diameter	Type	Notes
BUF1003-1695	7-1/4 in.	13 in.	1-1/4 in.	T-Slot	
PEN03-207-H	7-1/4 in.	13 in.	1-1/4 in.	T-Slot	
PROLG-CR07H	7-1/4 in.	13 in.	1-1/4 in.	T-Slot	
JOSC10591.2	8-1/4 in.	14 in.	1 in.		
JOSC10591.3	10-1/2 in.	14 in.	1 in.		
JOSC10591.3SER	10-1/2 in.	14 in.	1 in.		Round Hole
BUF1003-1296	11 in.	13 in.	1-1/4 in.	T-Slot	
PEN03-211-H	11 in.	13 in.	1-1/4 in.	T-Slot	
PROLG-CR11H	11 in.	13 in.	1-1/4 in.	T-Slot	
HOLXA-V-90-4	11-5/8 in.	14 in.	1-1/32 in.	Square	
BINLG0083-04	12-3/8 in.	14 in.	1-1/32 in.		
KYS112003	14 in.				
HOLXA-V-90-6	14-1/2 in.	14 in.	1-1/32 in.	Slot	Mark V
JOSC10591.5	14-3/4 in.	14 in.	1 in.		
BUF1003-1297	15 in.	13 in.	1-1/4 in.		
PEN03-215-H	15-7/8 in.	13 in.	1-1/4 in.	T-Slot	
PROLG-CR15H	15 in.	13 in.	1-1/4 in.	T-Slot	
HOLXA-V-90-13	17 in.	14 in.	1-1/32 in.	Slot	Mark V
BUF1003-1298	21 in.	13 in.	1-1/4 in.	T-Slot	
PEN03-221-H	21 in.	13 in.	1-1/4 in.	T-Slot	
PROLG-CR21H	21 in.	13 in.	1-1/4 in.	T-Slot	



Vertical Fold

	A	B	Diameter	Type	Notes
BINLG0083-01	6-3/4 in.	14 in.	1-1/32 in.		
BUF1003-1664	7-1/4 in.	13 in.	1-1/4 in.	T-Slot	
PEN03-207-V	7-1/4 in.	13 in.	1-1/4 in.	T-Slot	
PROLG-CR07V	7-1/4 in.	13 in.	1-1/4 in.	T-Slot	
FRUSXA0250-6	7-1/2 in.	12 in.	7/8 in.	Fruehauf	
JOSC10592.2	8-1/4 in.	14 in.	1 in.	Slot	Mark V
HOLXA-V-90-0	9-1/8 in.	14 in.	1-1/32 in.		
BUF1003-6857	9-1/8 in.	14 in.	1-1/4 in.	Square	
JOSC10592.3	10-1/2 in.	14 in.	1 in.		
BUF1003-1365	11 in.	13 in.	1-1/4 in.	T-Slot	
PEN03-211-V	11 in.	13 in.	1-1/4 in.	T-Slot	
PROLG-CR11V	11 in.	13 in.	1-1/4 in.	T-Slot	
BUF1003-6858	11-5/8 in.	14 in.	1-1/4 in.	Square	
BUF1003-6859	14-1/2 in.	14 in.	1-1/4 in.	Square	
JOSC10592.5	14-3/4 in.		1 in.		
BUF1003-1366	15 in.	13 in.	1-1/4 in.	T-Slot	
PEN03-215-V	15-7/8 in.	13 in.	1-1/4 in.	T-Slot	
PROLG-CR15V	15 in.	13 in.	1-1/4 in.	T-Slot	
HOLXA-V-90-10	17 in.	14 in.	1 in.	Slot	Mark V
BUF1003-6863	17 in.	14 in.	1-1/4 in.	Square	
JOSC10592-4	17-3/4 in.	14 in.	1 in.		
BUF1003-6430	19 in.	14 in.	1-1/4 in.	Square	
FLT013-00440	20 in.	13-1/2 in.	1-1/4 in.	Standard	
BUF1003-1367	21 in.	13 in.	1-1/4 in.	T-Slot	
HOLXA-V-90-12	21 in.	14 in.	1-1/32 in.	Slot	Mark V
PEN03-221-V	21 in.	13 in.	1-1/4 in.	T-Slot	
PROLG-CR21V	21 in.	13 in.	1-1/4 in.	T-Slot	



Models & Legs

LGR

JUST

SAF Holland

Landing Gear

Crank Handle Holders

Crank Hanger
BINLG0085-P



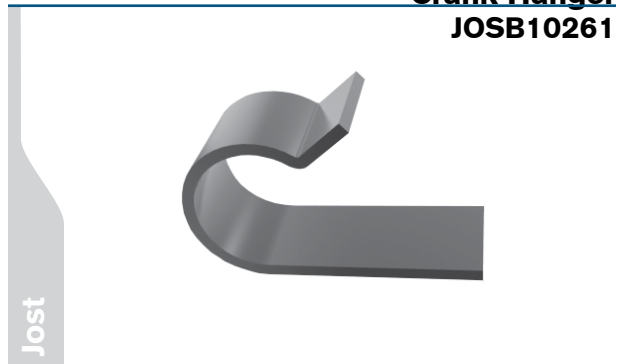
Crank Handle Keeper
BUF1003-1406



Crank Handle Hook Wire
HOLXB-LG0089



Crank Hanger
JOSB10261



Crank Hanger
PROLG-HA01



Crank Hanger
PROLG-HA02



Crank Shafts

	Length	Additional Info
BINLG0261-01	19-1/4 in.	Universal Mount
BUF1004-1368	19-1/4 in.	



(BUF1004-1368)

SAF-Holland
SAF-Holland
SAF-Holland
Models & Legs
LGR
JOST
pro-par

Cross Shafts

	Length	Additional Info
JOSB10066.43.4	43-2/5 in.	CIMC chassis
JOSB10363.53.72	53.72 in.	reverse mount
JOSB10363.55.87	55-7/8 in.	reverse mount
JOSB10363.56.5	56-1/2 in.	reverse mount
BINLG0094-6500	65 in.	
BUF1005-1385	65 in.	
PROLG-XS65	65 in.	
BINLG0094-6650	66-1/2 in.	
JOSB10066.68.4	68-2/5 in.	outside mount
BUF1005-2388	69 in.	
PROLG-XS69	69 in.	
JOSB10066.72.0	72 in.	outside mount
FRUSCE8322-1	74-3/4 in.	
JOSB10066.77.4	77-1/4 in.	outside mount
BINLG0094-8050	80-1/2 in.	drive
PROLG-XS37-56	37 to 56 in.	adjustable 3 piece
CROTCS-4479	44 to 79 in.	telescopic
BUF1005-1478	53 to 72 in.	adjustable 3 piece
PEN04-552	53 to 72 in.	adjustable 3 piece
PROLG-XS53-72	53 to 72 in.	adjustable 3 piece



Repair Kits

Shaft Assembly Kit
JOSB10285



Jost

B10229/C10233

More Information

Bolt Kits

Part Number	Description
BLTFSP005-05KIT	landing gear bolt kit, 5/8-18 x 1-7/8 grade 8 bolts

Models & Legs

LGR

JOST

SAF Holland

Landing Gear

Shoes

Cushion Foot

	Description	Additional Info
BINLG0045-01	Kit - 10 in. Round Cushion Foot	For 51000/52000 Model
BINLG0048-01	Kit - 10 in. x 10 in. Square Removeable Cushion Foot	For 51000/52000 Model
HOLXA-V-796-RCF	Cushion Foot - 10 in. x 10 in. Square Removeable	For Mark V Model



(BINLG0045-01)



(BINLG0048-01)



(HOLXA-V-796-RCF)

Sandshoe - Standard

	A	B	C	Sides	Base	Gusset	Additional
BUF1001-8069	3-1/2 in.	12 in.	10 in.	7 ga	7 ga	Single	With Patch
BUF1001-8069-KIT-P	3-1/2 in.	12 in.	10 in.	7 ga	7 ga	Single	With Patch
BUF1001-1291	4-3/8 in.	10 in.	10 in.	7 ga	7 ga	Single	Flared Hole
BUF1001-1292	4-3/8 in.	10 in.	10 in.	7 ga	7 ga	Single	1/4 in. Patch
PEN05-300	4-3/8 in.	10 in.	10 in.	7 ga	7 ga	Single	Flared Hole
PROLGS-SH10X10X4	4-3/8 in.	10 in.	10 in.			Single	Flared Hole
PEN05-320	4-3/8 in.	10 in.	10 in.	1/4 in.	7 ga	Single	No Patch
PEN05-330	4-3/8 in.	10 in.	10 in.	1/4 in.	7 ga	Single	1/4 in. Patch
PROLGS-SH10X10X4HD	4-3/8 in.	10 in.	10 in.	1/4 in.		Single	1/4 in. Patch
BUF1001-6231	4-3/8 in.	12 in.	10 in.	3/16 in.	3/16 in.	Single	Flared Hole
PEN05-339	4-3/8 in.	12 in.	12 in.	1/4 in.	1/4 in.	Double	Flared Hole



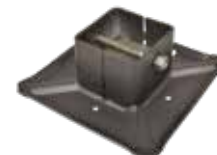
Sandshoe - Low Profile

	A	B	C	Sides	Base	Gusset	Additional
BUF1001-1295	1-3/4 in.	10 in.	10 in.	7 ga.	7 ga.	None	1/4 in. Patch
PEN05-310	1-3/4 in.	10 in.	10 in.	7 ga.	7ga.	None	1/4 in. Patch
PROLGS-SH10X10X2	1-3/4 in.	10 in.	10 in.	7 ga.	7ga.	None	1/4 in. Patch
PEN05-311	1-3/4 in.	10 in.	10 in.	1/4 in.	1/4 in.	None	1/4 in. Patch
PROLGS-SH10X10X2HD	1-3/4 in.	10 in.	10 in.	1/4 in.	1/4 in.	None	1/4 in. Patch
BUF1001-6476	1-3/4 in.	12 in.	12 in.	1/4 in.	3/16 in.	None	
FLT013-00073	1-15/16 in.	10 in.	10 in.	3/16 in.	3/16 in.	None	
JOSC10135	2 in.	10 in.	10 in.			3/16 in.	None



Tilt Foot

	A	B	C
BINLG0066-20	- in.	10 in.	10 in.



SAH Holland

FLEET ENGINEERS

Models & Legs

LGR

Pony

JUST

Repair Kits

Cushion Foot Service
JOSC10717



Jost

Cushion Foot
HOL716059



SAF-Holland

Shoe Hardware

Sandshoe Axle
BUF1002-1303-KIT



Buffers USA

Tube: 1-7/8 in. x 8-1/2 in.
Heavy Duty with Welded Cap & Locking Kit

Sandshoe Axle
BUF1002-1304-KIT



Buffers USA

Tube: 1-7/8 in. x 8-13/16 in.
Solid Steel w/Washers & Roll Pins

Sandshoe Axle
BUF1002-1305-KIT



Buffers USA

Tube: 1-7/8 in. x 8-7/8 in.
Standard Duty with Flared End & Locking Kit

Sandshoe Axle
BUF1002-1407-KIT



Buffers USA

Tube: 1-7/8 in. x 8-1/2 in.
Standard Duty with Welded Cap & Locking Kit

Sandshoe Axle
BUF1002-2775-KIT



Buffers USA

Tube: 1-7/8 in. x 8-3/8 in.
Solid with Welded Cap & Locking Kit

Sandshoe Axle
FLT013-00244



Fleet Engineers

Tube: 1-7/8 in. x 8-1/2 in.
With Cap

Models & Legs

JOST

LGR

SAF-Holland

FLYING SAUCER

Landing Gear

Shoe Hardware

Sandshoe Axle
PEN06-404



Penz

Tube: 1-7/8 in. x 8-7/8 in.
Standard Duty with Flared End & Locking Kit

Sand Shoe Axle
PEN06-410



Penz

Tube: 1-7/8 in. x 8-1/2 in.
Standard Duty with Welded Cap & Locking Kit

HD Sand Shoe Axle
PEN06-411



Penz

Tube: 1-7/8 in. x 8-1/2 in.
Heavy Duty with Welded Cap & Locking Kit

Axle Housing
BUF1002-1294



Buffers USA

Tube: 2-3/8 in. x 5-7/8 in.
FAB Steel: 4-1/2 in. x 5 in.
Primer

Axle Housing
PEN06-345



Penz

Tube: 1-29/32 in. x 5-7/8 in.
FAB Steel: 4-1/2 in. x 5 in.
Primer

Pro-Par Sandshoe Axles & Housing

	Tube	Axle Type	Additional
PROLG-AX01	1-7/8 x 8-3/4 in.	Hollow	Standard Duty with Flared End, No Hardware
PROLG-AX02	1-7/8 x 8-1/4 in.	Hollow	Welded Cap
PROLG-AX02HD	1-7/8 x 8-1/4 in.	Solid	Welded Cap, Heavy Duty
PROLG-AX03	1-7/8 x 8-1/4 in.	Solid	
PROLG-AX04	1-29/32 x 5-7/8 in.	Hollow	Housing Only
PROLG-AX05	1-7/8 x 8-3/8 in.	Solid	Housing Only; Solid with Cap



(PROLG-AX01)



(PROLG-AX02)



(PROLG-AX03)



(PROLG-AX04)



Models & Legs

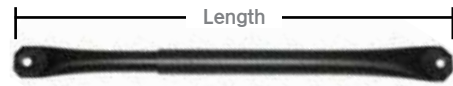
LGR

FLEET ENGINEERS

Penz

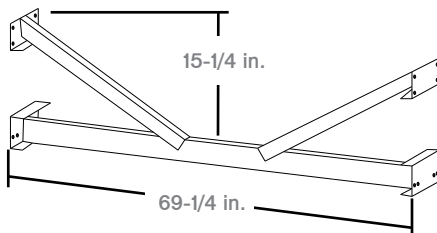
Adjustable Braces

	Thickness	Adjustable Length
BUF1006-1309	Standard Duty	
PEN04-10-26-41	Standard Duty	26 in. to 41 in.
PROLG-BR26-41	Standard Duty	
BUF1006-1310	Standard Duty	42 in. to 57 in.
PROLG-BR42-57	Standard Duty	
BUF1006-1311	Standard Duty	
PEN04-10-56-72	Standard Duty	56 in. to 72 in.
PROLG-BR56-72	Standard Duty	
BUF1006-1613	Medium Duty	
PEN04-15-26-41	Medium Duty	26 in. to 41 in.
PROLG-BR26-41MD	Medium Duty	
BUF1006-1614	Medium Duty	
PEN04-15-42-57	Medium Duty	42 in. to 57 in.
PROLG-BR42-57MD	Medium Duty	
BUF1006-1615	Medium Duty	
PROLG-BR56-72MD	Medium Duty	56 in. to 72 in.
FLT013-00991	Heavy Duty	
PEN04-40-26-41	Heavy Duty	26 in. to 41 in.
PROLG-BR26-41HD	Heavy Duty	
PEN04-80-26-41	Super Heavy Duty	26 in. to 41 in.
PROLG-BR26-41XHD	Super Heavy Duty	
PROLG-BR56-72XHD	Super Heavy Duty	56 in. to 72 in.



Bracing

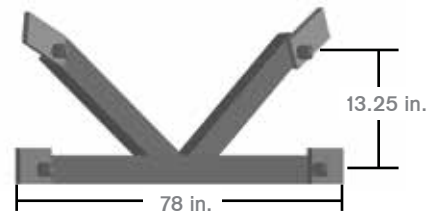
**K Brace Assembly
BUF1006-2016**



Buffers USA

**K-Brace
LGM-GD01**

Cross Ref: Great Dane# 30310008

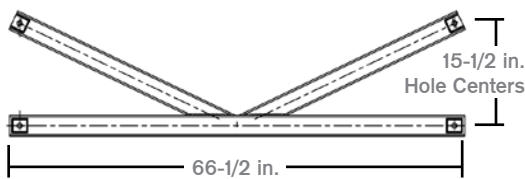


Pro-FIT

Style: Great Dane
Material: Steel
Trailer: 102 in.

**K-Brace Assembly
LGM-HY07**

Cross Ref: Hyundai# 20014085

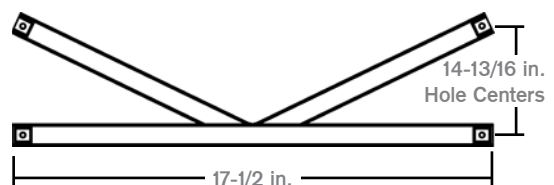


Pro-FIT

HDG

LGM-HY14

Cross Ref: Hyundai# 20017107



Pro-Fit

Material: Steel

Landing Gear

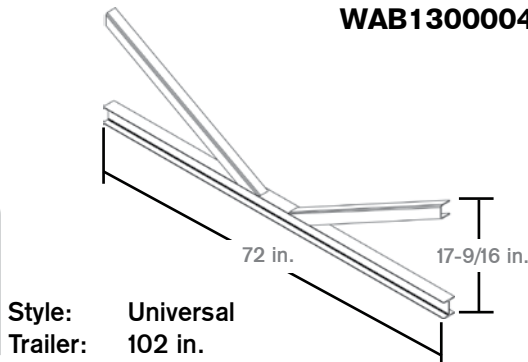
Bracing

Landing Gear Mounting

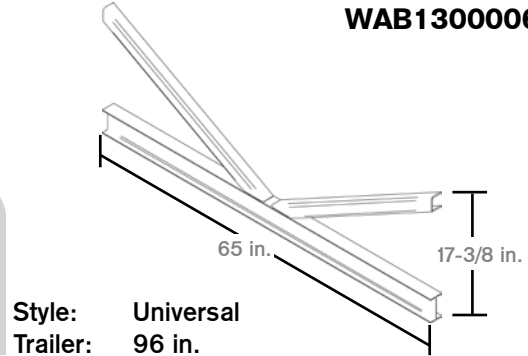
LGR



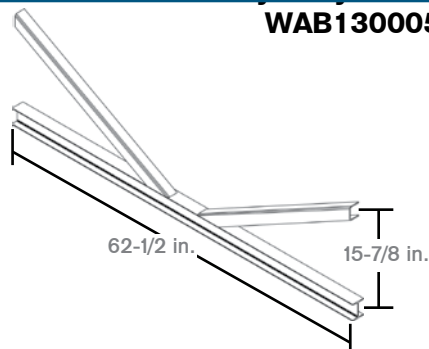
K-Brace
WAB1300042



K-Brace
WAB1300065



Heavy Duty K-Brace
WAB13000501



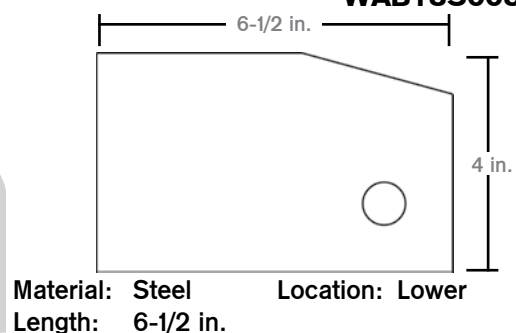
K-Brace



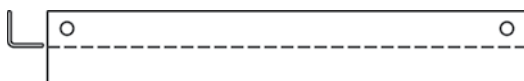
K-Brace
WAB13001048-02GALV



Mounting Connection
WAB13S00398



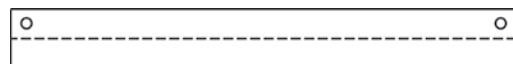
Jost Reverse Mount Front
WAB13S00542



Material: Steel
Length: 27-3/16 in.

Jost Reverse Mount Front

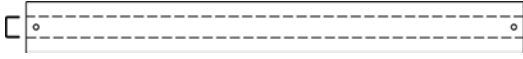
Material
Steel **WAB13S00543**
Galvanized Steel **WAB13S00543GALV**



Length: 31-31/32 in.

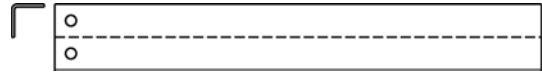
Bracing

Horizontal Channel Cross
WAB13S00544



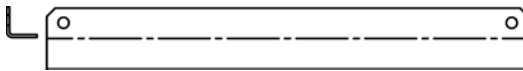
Material: Steel
Length: 62-1/2 in.

Jost Reverse Mount Center
WAB13S00545



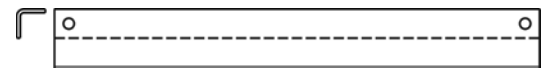
Material: Steel
Length: 30.00 in.

WAB13S01081



Material: Steel
Length: 28-3/4 in.

Aft
WAB29S01129



Material: Steel For: JB Hunt Chassis
Length: 29-5/8 in.

Brace Lugs

Buffers USA



Double, Square Leg
Material: Steel

BUF1008-1306

Leg Brace

BBT4070-0032



Buffers USA



Double, Round Leg
Material: Steel

BUF1008-1307

Leg Brace

BBT4070-0045



Dolly
Either Side

Landing Gear Mounting

LGR

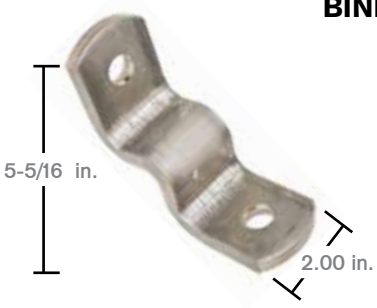


Landing Gear

Brace Lugs

BINLG0266

SAF-Holland




5-5/16 in.

2.00 in.

BUF1008-1467

Buffers USA



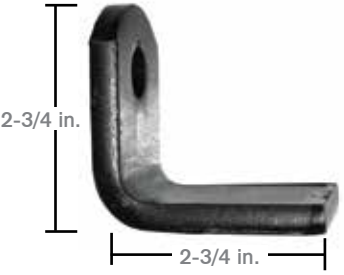
2 in.

9-1/4 in.

Straight, 2 Holes
Material: Steel

BUF1008-1631

Buffers USA




2-3/4 in.

2-3/4 in.

90°
Material: Steel 3/8 in.

Upper / Angled
BUF1008-2642

Buffers USA




3 in.

9-1/2 in.

Material: Steel - 3/8 in.
Cross Ref: Great Dane# 09955

BUF1008-2648

Buffers USA




2 in.

10-1/4 in.

Straight, 2 Holes
Material: Steel 3/8 in.

BUF1008-2986

Buffers USA




2.00 in.

4-3/8 in.

Double, Square Leg
Material: Steel 3/8 in.

FLT011-00100

Fleet Engineers



2-1/2 in.

2.00 in.

90°, 1 Hole
Material: Steel 3/8 in.

LGM-GD60

Cross Ref: Great Dane# 09955

Pro-FIT



3.00 in.

8.00 in.

Material: Steel

SAF-Holland

FLEET ENGINEERS

LGR

BUFFERS USA

pro-FIT

Landing Gear Mounting

Brace Lugs

LGM-GD61
Cross Ref: Great Dane# 09955

Pro-FIT

Angle Cut
Material: Steel

LGM-GD62
Cross Ref: Great Dane# 09758

Pro-FIT

Triangle
Material: Steel

PEN02-10-A

Penz

Universal
Material: Steel 3/8 in.

PEN02-11-A

Penz

Universal
Material: Steel 3/8 in.

PEN02-12-A

Penz

Universal
Material: Steel 3/8 in.

PEN02-13-A

Penz

Universal
Material: Steel 3/8 in.

PEN02-39

Penz

Material: Steel 3/8 in.

PEN02-44

Penz

Material: Steel 3/8 in.

Landing Gear Mounting

LGR



Penz

Landing Gear

Brace Lugs

Plate Brace PEN02-46

PEN02-45
Cross Ref: Great Dane# 09955

Penz
Material: Steel 3/8 in.

Penz

PROLG-BL01

Pro-Par
Material: Steel 3/8 in.

PROLG-BL02

Pro-Par

PROLG-BL04

Pro-Par
Material: Steel 3/8 in.
Short L Bracket - 1 Hole

PROLG-BL06

Pro-Par
Material: Steel 3/8 in.
Short L Bracket - 2 Hole

PROLG-BL07

Pro-Par
Material: Steel 3/8 in.
Straight - 2 Hole

PROLG-BL08

Pro-Par
Material: Steel 3/8 in.
Straight - 3 Hole

Landing Gear Mounting

LGR

Penz



Brace Lugs

WAB13S00018



Material: Steel

Diagonal Ear
WAB13S00547



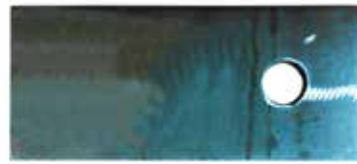
Material: Steel
Length: 5-1/2 in.

Filler Gusset
WAB13S00760

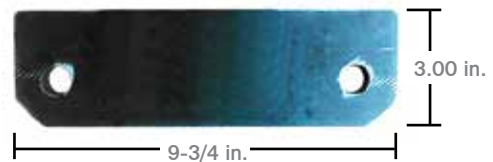


Size: 1/4 in. x 1-1/2 in. x 3 in.

WAB13S01486



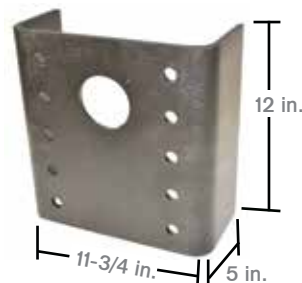
WAB13S01505



Mounting Brackets

ACL Style

PEN02-03



Material: Steel

Landing Gear Mounting

LGR



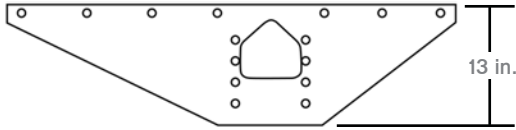
Landing Gear

Mounting Brackets

Great Dane Style

Cross Reference	Location	
Great Dane# 136-46	Curbside	BUF1007-1779-CS
Great Dane# 136-47	Roadside	BUF1007-1779-RS

Buffers USA



Material: Steel
Length: 48 in.

Upper Mount Angle

LGM-GD15

Cross Ref: Great Dane# 40103879

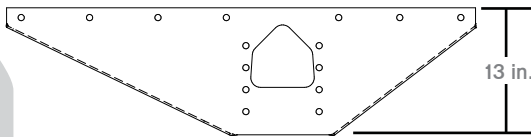
Pro-Fit



Size: 1/4 in. x 2 in. x 3 in. x 51-1/2 in.

Cross Reference	Location	
Great Dane# 209-873L	Curbside	LGM-GD53
Great Dane# 209-873R	Roadside	LGM-GD54

Pro-Fit



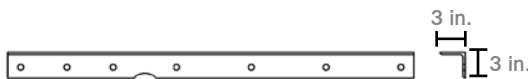
Material: Zinc Primer Finish
Length: 48 in.

Hyundai Style

Top Mounting Angle

LGM-HY06

Pro-Fit



Length: 48 in.
Location: Left Hand

Cross Reference	Location	
Hyundai# 20021680	Curbside	LGM-HY05
Hyundai# 20037409	Roadside	LGM-HY08

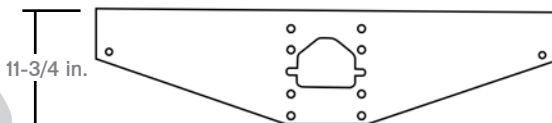
Material: Galvanized Steel
Length: 48 in.



Miller Style

PEN02-30

Penz



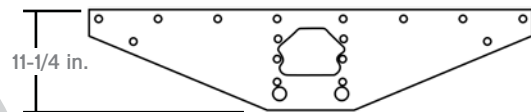
Universal
Material: Steel
Length: 48 in.

Stoughton Style

LGM-ST01

Cross Ref: Stoughton# 01-09945-000-00

Pro-Fit



Universal
Material: Steel
Length: 50 in.
Attach: Bolt-on

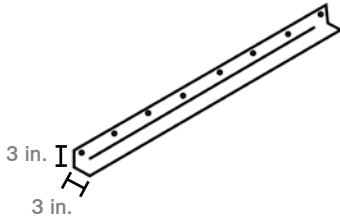
Landing Gear Mounting



Stoughton Style

LGM-ST02

Cross Ref: Stoughton# 01-10857-000-00



Pro-Fit

Material: Steel **Attach:** Weld-on
Length: 50 in.

Trailmobile Style

Location	
Curbside	BUF1007-1607-CS
Roadside	BUF1007-1607-RS

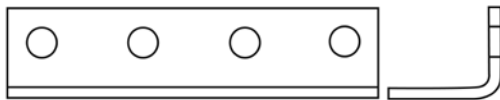
Buffers USA



Material: 7 ga.
Length: 50-1/2 in.

Transcraft

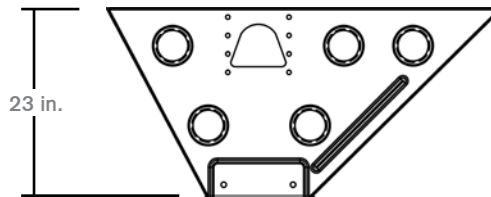
TSCPLA-003



Length: 8-1/4 in.

Utility Style

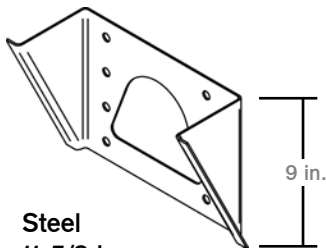
Cross Reference	Location	
Utility# 03-1103-0-077	Roadside	LGM-UT01
Utility# 03-1103-0-078	Curbside	LGM-UT02



Material: Steel **Attach:** Weld-on
Length: 48-5/8 in.

Utility Style

Cross Reference	Location	
Utility# 03-1103-0-123	Roadside	LGM-UT03
Utility# 03-1103-0-124	Curbside	LGM-UT04



Material: Steel
Length: 11-5/8 in.

Cross Reference	Location	
Utility# 03-1105-0-013	Roadside	LGM-UT05
Utility# 03-1105-0-012	Curbside	LGM-UT06



Material: Steel
Length: 16-15/16 in.

Vanguard Style

LGM-VN09

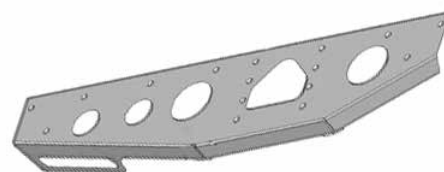
Cross Ref: Vanguard# UCA00037



Pro-Fit

Wabash

Location	
Curbside	WAB13000948
Roadside	WAB13000950



Material: Steel
Length: 48 in.

Landing Gear Mounting

LGR



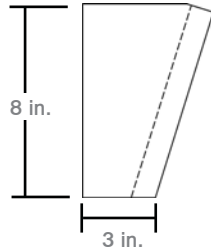
Landing Gear

Mounting Brackets

Wabash

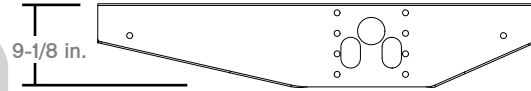
Center Gusset

Location	Part Number
Right Hand	WAB13S00025
Left Hand	WAB13S00026



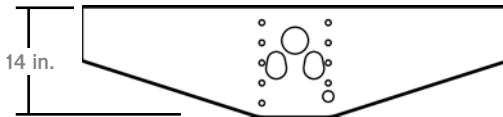
Material: Steel
Length: 8 in.

Location	Part Number
Roadside	WAB13S00047
Curbside	WAB13S00048



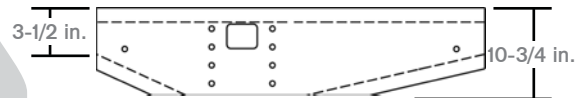
Length: 48 in.

WAB13S00057



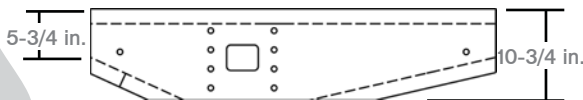
Material: Steel
Length: 48 in.
Style: Universal

Outside	Reverse	Part Number
Curbside	Roadside	WAB13S00503
Roadside	Curbside	WAB13S00504



Material: Steel
Length: 48 in.

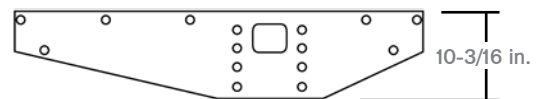
Outside	Reverse	Part Number
Curbside	Roadside	WAB13S00512
Roadside	Curbside	WAB13S00513



Material: Steel
Length: 48 in.

Just Reverse

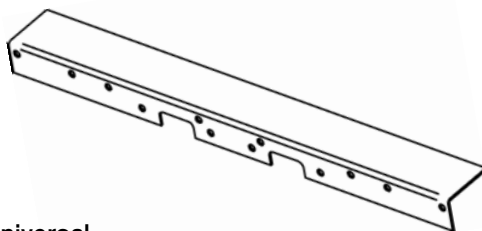
Location	Part Number
Roadside	WAB13S00755
Curbside	WAB13S00756



Attach: Bolt-on
Length: 48 in.

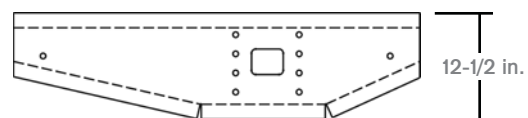
Top Mounting Angle

WAB13S00757



Universal
Material: Steel
Length: 48 in.
Attach: Bolt-on

Location	Part Number
Curbside	WAB13S01021
Roadside	WAB13S01022



Material: Steel
Length: 48 in.

Landing Gear Mounting

LGR



Mounting Brackets

Wabash

WAB13S01101

9-1/2 in.
3-3/4 in.
1/8 in. HRS

**Angle for Bolt-on Pad
WAB13S01363**

4 in.

Material: Steel Attach: Bolt-on
Length: 48 in.

**Top Angle
WAB13S01369**

Material: Steel
Length: 52 in.

Top Mounting Angle

Location	
Roadside	WAB13S01415
Curbside	WAB13S01416

Location	
Curbside	WAB13S01106
Roadside	WAB13S01107

10-1/4 in.

Material: Steel
Length: 48 in.

Location	
Curbside	WAB13S01364
Roadside	WAB13S01365

10-1/4 in.

Material: Steel
Length: 48 in.

Landing Gear Pad

Location	
Curbside	WAB13S01411
Roadside	WAB13S01412

Inside Mount

Location	
Curbside	WAB13S01503GALV
Roadside	WAB13S01504GALV

26-1/2 in.

Material: Galvanized Steel
Length: 50 in.

Landing Gear Mounting

LGR



Landing Gear

Mounting Brackets Accessories

BLTFSP005-05KIT



12 - 5/8 in. x 1-7/8 in. Grade 8 Bolts
 12 - 5/8 in. Lock Washers
 12 - 5/8 in. Lock Nuts

BLT60759910



10 - 5/8 in. x 1-7/8 in. Grade 8 Bolts
 10 - 5/8 in. Lock Nuts

**Hardware Kit
IMXLSQUARE**



For: Square Legs
 Includes: (1) Crank Handle 1003-1695, (1) Crank Holder 1003-1789, (1) Cross Shaft 1005-2388, (2) Brace Ears 1008-1306

**Hardware Kit
PROLG-KIT1**



For: Square Legs
 Includes: (1) Crank Handle PROLG-CR11V, (1) Crank Holder PROLG-HA01, (1) Cross Shaft PROLG-XS69, (2) Brace Lugs PROLG-BL01

Specialty Legs

LGR

Anti-Dive Legs & Jacks

**Anti-Nosedive Jack
BINLG1870**



10,000 Vertical Load Rating

**Dolly Jack with Springs
HOLJS-300-J**



1,200 lb Capacity
 Retract: 29-13/32 in. Extend: 44-13/32 in.
 5 in. x 2 in. Steel Wheel

**Stabilizer Jack
IMXGT-7751**



Bottom: 43 in. 20 Ton
 Top: 50-1/2 in.

SAF-Holland

SAF-Holland

SAF-Holland

Spc. Legs

Anti-Dive Legs & Jacks

Dolly Jacks

	Type
PRE700P-15-726	With Caster Mounting Plate
PRE700P-15-729	Without Spring Assembly, 6 in. Sand Shoe
PRE700PY15-726	Custom, Extra Long
PRE800P-15-829	With 829 Shoe, Caster Mounting Plate

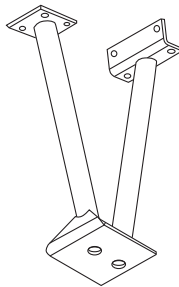


(PRE700P-15-726)

Premier

Travel: 15 in.

Stiff Leg Assembly WAB15000155GALV



Bolt On Stiff Leg WAB15000550GALV



Leg Repair Kit KYS716037



Constant Mesh Gear Retrofit Kit

Handle Assembly PRE677A



With Roll Pin, 8 in. Long
For: 600, 700, 800 Jacks

Caster Assemblies

	Type
PRE620	6 in., Steel Wheel, Swivel (622, 625 Included)
PRE623	6 in., Rubber Wheel, Swivel (624, 625 Included)
PRE746	8 in., Rubber Wheel, Swivel (747, 749 Included)



(PRE746)

Premier

Specialty Legs



LGR



Notes

Specialty Legs

LGR

Lighting 525-603

Cab Marker	526-527
Beehive	526-527
Miscellaneous	527
Clearance / Marker	528-548
2-Bulb	528
Flex-Lite	529
Oval	529-530
Rectangular	531-538
Round	539-546
Single Diode	547-548
Identification Bars	549
License	550-556
Module	557
Stop / Tail / Turn	558-572
Arrow / Pedestal	558
Mid / Side Turn	558-560
Oval	561-564
Rectangular	564
Round	565-572
Strobe	573
Utility	573-577
Accessories	578-603
Brackets	578-587
Bulbs	588-591
Flanges	592-593
Grommets	594-599
Lenses	600
Reflectors	601-603

Electrical 604-636

Cables	604-607
Connections	608-619
Junction Boxes	608-609
Nose Boxes	610-612
Receptacles	613-619
Harnesses	620-622
Pigtails	623-630
Wire	631-632
Cables	631
Accessories	631-632
Accessories	633-636
Flashers	633
Fuses	633
Switches	634-636

Lighting

Beehive

Pro-Par

Beehive Marker/Clearance

2.00 in. Round LED

Type	Color	
Lamp	Red	PROLED20-8RBH
Lamp	Amber	PROLED20-8ABH



(PROLED20-8RBH)



(PROLED20-8ABH)

Slim-Line
.180 Male Bullet

Accessories

Pigtail
TRU94964

Beehive Marker/Clearance

2.50 in. Round LED

Type	Color	
Lamp	Red	PROLED25-10RBH
Lamp	Amber	PROLED25-10ABH



(PROLED25-10RBH)



(PROLED25-10ABH)

Slim-Line
.180 Male Bullet

Accessories

Pigtail
TRU94964

Truck-Lite

Model 30 Beehive Sealed

2.00 in. Round

Type	Color	
Lamp	Red	TRU30201R
Lamp	Yellow	TRU30201Y



(TRU30201R)



(TRU30201Y)

PL-10

Model 30 Beehive

2.00 in. Round LED / P2, Fit 'N Forget

Type	Color	
Lamp	Red	TRU30276R
Lamp	Yellow	TRU30276Y



(TRU30276R)



(TRU30276Y)

Fit 'N Forget
M/C
No Plug

Accessories

Pigtail
TRU93745

Signal-Stat Beehive Sealed

2.00 in. Round LED / P2

Type	Color	
Lamp	Red	TRU3075
Lamp	Yellow	TRU3075A



(TRU3075)



(TRU3075A)

PL-10

Signal-Stat Beehive Sealed

2.50 in. Round LED / P2, PL-10

Type	Color	
Lamp	Red	TRU1075
Lamp	Yellow	TRU1075A



(TRU1075)



(TRU1075A)

PL-10

Harnesses

See Electrical Section

Cab Makers

LHT



Beehive

Truck-Lite

**Model 10 Beehive Sealed
2.50 in. Round**

Type	Color	
Lamp	Red	TRU10203R
Lamp	Yellow	TRU10203Y



(TRU10203R)



(TRU10203Y)

PL-10

Accessories

Bracket
TRU10708

**Model 10 Beehive Sealed
2.50 in. Round LED, P2**

Type	Color	
Lamp	Red	TRU10276R
Lamp	Yellow	TRU10276Y



(TRU10276R)



(TRU10276Y)

PL-10

Accessories

Pigtails
TRU94964

Miscellaneous Cab Markers

Grote

**SuperNova Surface Mount
6.00 in. x 1.88 in. Oval LED**

Type	Color	
Lamp	Yellow	GRT53493



Accessories

Pigtails
GRT66900
GRT66904
GRT66905

Truck-Lite

**25 Series Sealed Marker
4.73 in. x 2.42 in. Rectangle LED**

Type	Color	
Lamp	Red	TRU25250R
Lamp	Yellow	TRU25250Y



(TRU25250R)



(TRU25250Y)

Hardwired

Accessories

Gasket
TRU97701

More Information

Causes of Lighting Failure

Corrosion:

Water, dirt, salt and other road contaminants can enter a light or connector, providing an electrical path which can vastly accelerate corrosion.

Shock, Vibration & Burnout:

Constant road pounding experiences when a trailer is traveling down a highway can cause filaments in a bulb to distort and prematurely break.

Inadequate Wiring & Cable:

Use of a wire gauge too small can lead to dim or intermittent operation, excessive voltage drop and present a potential fire hazard.

Excess Voltage:

Voltage spikes as a result of load dumps. Sources of such load dumps could be starting the engine with the light on, heavy draw electrical devices, and turning units off.

Cab Markers

LHT

Truck-Lite

Grote

Lighting

2-Bulb

Grote

Duramold 2-Bulb Square

4.00 in. x 2.00 in. Rectangle

Type	Color	
Lamp	Red	GRT46792
Lamp	Yellow	GRT46793



(GRT46792)



(GRT46793)

With Attached
Blunt Cut Pigtail

Accessories

Pigtail
GRT67120

Peterson

Double Bulls-Eye

4.00 in. x 2.00 in. Rectangle

Type	Color	
Lamp	Red	PETM138R
Lamp	Amber	PETM138A



(PETM138R)



(PETM138A)

Pro-Par

Rectangular Double Bulls-Eye

2.03 in. x 4.05 in. Rectangle LED

Type	Color	
Lamp	Red	PROLED4020-2R
Lamp	Amber	PROLED4020-2A



(PROLED4020-2R)



(PROLED4020-2A)

UBLights

Bullseye Double Bulb

4.00 in. x 2.00 in. Rectangle / P2

Type	Color	
Lamp	Red	LHTML2040R
Lamp	Amber	LHTML2040A



(LHTML2040R)



(LHTML2040A)

Single Wire

Truck-Lite

Shock/Mount Permastat

4.00 in. x 2.00 in. Rectangle 2-Bulb

Type	Color	
Lamp	Red	TRU1211
Lamp	Yellow	TRU1211A



(TRU1211)



(TRU1211A)

Hardwired
Blunt Cut

Accessories

Lens
Red TRU9007
Yellow TRU9007A

Signal-Stat Rectangle LED

4.05 in. x 2.03 in.

Type	Color	
Red Lamp w/Red Lens	Red	TRU2660
Yellow Lamp w/Yellow Lens	Yellow	TRU2660A



(TRU2660)



(TRU2660A)

Hardwired
Blunt Cut

Accessories

Lens
Red TRU99238R
Yellow TRU99238Y

Grote

PETERSON

LHT

pro-par
LED Rectangular Double Bulls-Eye

Trucklite

Clearance / Marker

Flex-Lite

36 Series Flex-Lite Non-Winged

1.53 in. x 0.75 in. Rectangle LED

Exit Wire	Type	Color	
Rear	Lamp	Red	TRU36115R
Rear	Lamp	Yellow	TRU36115Y



(TRU36115R)



(TRU36115Y)

36 Series Flex-Lite Winged

3.95 in. x 0.76 in. Rectangle LED

Type	Color	
Lamp	Red	TRU36213R



36 Series Flex-Lite Winged

3.96 in. x 0.75 in. Rectangle LED

Exit Wire	Type	Color	
Side	Lamp	Red	TRU36100R
Side	Lamp	Yellow	TRU36100Y



(TRU36100R)



(TRU36100Y)

36 Series Flex-Lite Dual Function

1.89 in. x 0.75 in. Rectangle LED

Exit Wire	Type	Color	
Rear	Lamp	Red	TRU36203R
Rear	Lamp	Yellow	TRU36203Y



(TRU36203R)



(TRU36203Y)

Oval

Aerodynamic Combination

5.94 in. x 2.25 in. Oval

Type	Body Color	Color	
Lamp	White	Yellow	GRT52063



Chassis Ground
Slim-Line .180
Male

Accessories

Pigtail
GRT66905

Grote

Duramold 2-Bulb

4.00 in. x 2.00 in. Oval

Type	Color	
Lamp	Red	GRT45262
Lamp	Yellow	GRT45263



(GRT45262)



(GRT45263)

Slim-Line .180
Male

Accessories

Lens
Red GRT91572
Yellow GRT91573
Pigtail
GRT67120

Clearance / Marker

LHT

Truck-Lite

Grote

Lighting

Oval

Grote

MicroNova Marker

1.94 in. x 1.09 in. Oval LED

Type	Color	
Lamp	Red	GRT47972
Lamp	Yellow	GRT47973



(GRT47972)

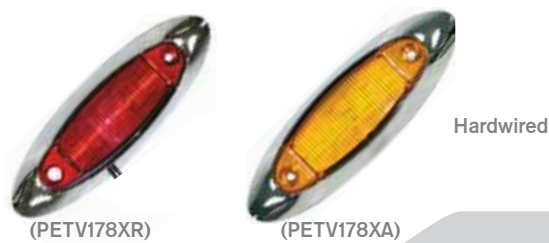
(GRT47973)

Peterson

Piranha LED

6.63 in. x 2.25 in. Oval LED

Includes	Type	Color	
Chrome Bezel + Lamp	Lamp	Red	PETV178XR
Chrome Bezel + Lamp	Lamp	Amber	PETV178XA



(PETV178XR)

(PETV178XA)

Hardwired

Phillips

Low Profile BoardFree®

3.87 in. Oval LED

Type	Color	
Lamp	Red	PHI51-18312
Lamp	Yellow	PHI51-18313



(PHI51-18312)

(PHI51-18313)

Male 2 Pin AMP Connector

Surface Mount Mid Turn

6.50 in. Oval

Type	Color	
Lamp	Amber	PHI51-60303



Truck-Lite

Shock/Mount Signal-Stat

4.00 in. x 2.00 in. Oval

Type	Color	
Lamp	Red	TRU1259
Lamp	Yellow	TRU1259A



(TRU1259)

(TRU1259A)

Hardwired Stripped End

Accessories

Lens	
Red	TRU9093
Yellow	TRU9093A

Grote

PETERSON

LHT

PHILIPS

Trucklite

Clearance / Marker

Rectangular

Grote

SuperNova Thin-Line

3.84 in. x 0.88 in. Rectangle LED

	Color	Type	Volts	Addtl Info
GRT47242	Red	Lamp	12	Slim-Line .180 Male
GRT47243	Yellow	Lamp	12	Slim-Line .180 Male
GRT47462	Red	Lamp	24	Slim-Line .180 Male
GRT47463	Yellow	Lamp	24	Slim-Line .180 Male
GRT78453	Yellow ABS	Lamp	12	Slim-Line .180 Male



Accessories

Pigtail
GRT66930
GRT66931
GRT66932

SuperNova Thin-Line

5.31 in. x 0.88 in. Rectangle LED

	Lens Color	Body Color	Type	Addtl Info
GRT46902	Red	White	Lamp	Slim-Line .180 Male
GRT46903	Yellow	White	Lamp	Slim-Line .180 Male
GRT46922	Red	Red	Lamp	Slim-Line .180 Male
GRT46933	Yellow	Yellow	Lamp	Slim-Line .180 Male



Accessories

Pigtail
GRT66930
GRT66931
GRT66932

SuperNova Dual-Intensity

3.84 in. x 0.88 in. Rectangle LED

Type	Color	
Lamp	Red	GRT49252
Lamp	Yellow	GRT49253



Slim-Line .180 Male

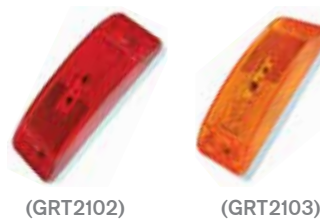
Accessories

Pigtail
GRT66870

Hi Count Turtleback

5.88 in. x 2.00 in. Rectangle LED

Type	Color	
Lamp	Red	GRT2102
Lamp	Yellow	GRT2103



Molded Bullet with Chassis Ground - Ring Terminal Connection

Accessories

Bracket
GRT43050

Clearance / Marker

LHT

Lighting

Rectangular

Grote

Field Resealable Turtleback II

5.88 in. x 2.00 in. Rectangle

	Color	Type	Addtl Info
GRT46802	Red	Optic Lamp	Chassis Ground, Slim-Line .180 Male
GRT46803	Yellow	Optic Lamp	Chassis Ground, Slim-Line .180 Male
GRT46862	Red	Reflective Lamp	Chassis Ground, Slim-Line .180 Male
GRT46863	Yellow	Reflective Lamp	Chassis Ground, Slim-Line .180 Male



(GRT46802)



(GRT46803)



(GRT46862)



(GRT46863)

Accessories

Bracket
GRT43050

Pigtail
GRT66910
GRT66911
GRT67070
GRT67071

Sealed Turtleback II

5.88 in. x 2.00 in. Rectangle

	Color	Type	Addtl Info
GRT46832	Red	Optic Lamp	Chassis Ground, Slim-Line .180 Male
GRT46833	Yellow	Optic Lamp	Chassis Ground, Slim-Line .180 Male
GRT78363	Yellow ABS	Optic Lamp	Chassis Ground, Slim-Line .180 Male
GRT46872	Red	Reflective Lamp	Chassis Ground, Slim-Line .180 Male
GRT46873	Yellow	Reflective Lamp	Chassis Ground, Slim-Line .180 Male



(GRT46832)



(GRT46833)



(GRT78363)



(GRT46872)



(GRT46873)

Accessories

Bracket
GRT43050

Pigtail
GRT66910
GRT66911
GRT67070
GRT67071

SuperNova Turtleback II

5.88 in. x 2.00 in. Rectangle LED

	Color	Type	Addtl Info
GRT47072	Red	Reflective Lamp	Chassis Ground, Slim-Line .180 Male
GRT47073	Yellow	Reflective Lamp	Chassis Ground, Slim-Line .180 Male
GRT47162	Red	Optic Lamp, PC Rated	Chassis Ground, Slim-Line .180 Male
GRT47163	Yellow	Optic Lamp, PC Rated	Chassis Ground, Slim-Line .180 Male
GRT54003	Yellow	Optic Lamp, PC Rated, Dual Intensity	Slim-Line .180 Male



(GRT47072)



(GRT47073)



(GRT47162)



(GRT47163)

Accessories

Bracket
GRT43050

Clearance / Marker

LHT

Grote

Rectangular

Grote

Sealed Sentry Combination

5.88 in. x 2.00 in. Rectangle

Type	Base Color	Color	
Lamp	White	Red	GRT53062
Lamp	White	Yellow	GRT53063



(GRT53062)



(GRT53063)

Chassis Ground
Slim-Line .180
Male

Accessories

Pigtail
GRT66905

Peterson

Thinline Clearance & Side Marker

3.45 in. x 0.46 in. Rectangle

Type	Color	
Kit	Red	PETV167KR
Kit	Amber	PETV167KA



(PETV167KR)



(PETV167KA)

Kit Includes 167
Light, Mounting
Bracket and
167-49 Plug

Peterson

Oblong With Reflex

4.18 in. x 2.00 in. Rectangle

Type	Color	
Lamp	Red	PETM135R
Lamp	Amber	PETM135A



(PET135R)



(PET135A)

Single Wire
Connection

Pro-Par

Sealed Rectangular LED

Type	Color	
Lamp	Red	PROLED2612-1R
Lamp	Amber	PROLED2612-1A



(PROLED2612-1R)



(PROLED2612-1A)

Accessories

Pigtail
TRU94964

Rectangular LED

6.00 in. x 2.00 in.

Type	Color	
Lamp	Red	PROLED6020-3R
Lamp	Amber	PROLED6020-3A



(PROLED6020-3R)



(PROLED6020-3A)

Pro-Par

Sealed Rectangular LED

3.90 in. x 1.25 in.

Type	Color	
Lamp	Red	PROLED3912-2R
Lamp	Amber	PROLED3912-2A



(PROLED3912-2R)



(PROLED3912-2A)

Clearance / Marker



LHT

PETERSON



Lighting

Rectangular

Truck-Lite

Model 15 Sealed

2.49 in. x 1.20 in. Rectangle LED

Type	Color	
Lamp	Red	TRU15250R
Lamp	Yellow	TRU15250Y



(TRU15250R)

(TRU15250Y)

PL-10

Signal-Stat Sealed

2.49 in. x 1.20 in. Rectangle LED

Type	Color	
Lamp	Red	TRU1560
Lamp	Yellow	TRU1560A



(TRU1560)

(TRU1560A)

PL-10
No Plug

Model 15 Sealed

2.49 in. x 1.20 Rectangle

	Color	Type	Addtl Info
TRU15200R	Red	Lamp	PL-10, No Plug
TRU15200Y	Yellow	Lamp	PL-10, No Plug
TRU15203Y	Yellow ABS	Lamp	PL-10, No Plug



(TRU15200R)

(TRU15200Y)

(TRU15203Y)

Accessories

Pigtail
TRU94924

Model 19 Sealed

3.78 in. x 1.23 in. Rectangle

	Color	Type	Addtl Info
TRU19200R	Red	Lamp	19 Series Male Pin, No Plug
TRU19200Y	Yellow	Lamp	19 Series Male Pin, No Plug
TRU19205Y	Yellow ABS	Lamp	19 Series Male Pin, No Plug
TRU19002R	Red	Kit	Lamp TRU19200R + Gray Mount TRU19721; Hardwired, Stripped End
TRU19002Y	Yellow	Kit	Lamp TRU19200Y + Gray Mount TRU19721; Hardwired, Stripped End



(TRU19200R)

(TRU19200Y)

(TRU19205Y)

(TRU19002R)

(TRU19002Y)

Accessories

Mount
TRU19721

Definition

Electric Term

Volt:

Unit of measurement applied to the difference in electrical potential between two points; that is, the potential for electricity to flow.

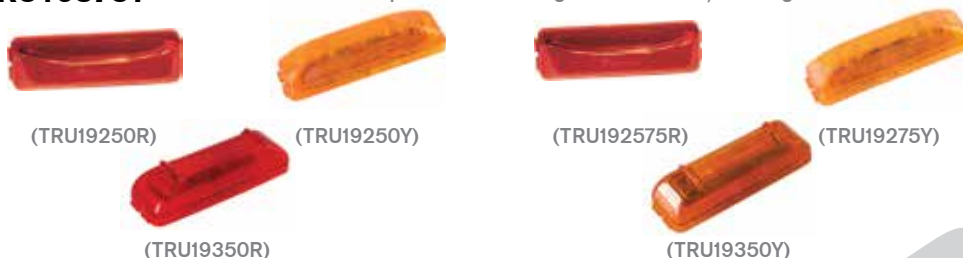
Rectangular

Truck-Lite

Model 19 Sealed LED

3.78 in. x 1.23 in. Rectangle

	Color	Type	Connections	Addtl Info
TRU19250R	Red	Lamp	Standard	19 Series Male Pin, No Plug
TRU19250Y	Yellow	Lamp	Standard	19 Series Male Pin, No Plug
TRU19275R	Red	Lamp	Standard	PC Rated; 19 Series Male Pin, No Plug
TRU19275Y	Yellow	Lamp	Standard	PC Rated; 19 Series Male Pin, No Plug
TRU19350R	Red	Lamp	Fit 'N Forget	No Plug
TRU19350Y	Yellow	Lamp	Fit 'N Forget	No Plug
TRU19375R	Red	Lamp	Fit 'N Forget	PC Rated; No Plug
TRU19375Y	Yellow	Lamp	Fit 'N Forget	PC Rated; No Plug



Accessories

Mount
TRU19721

Fit 'N Forget Pigtail
TRU94718

Model 35 Slim Sealed

4.00 in. x 0.75 in. Rectangle LED

	Color	Type	Addtl Info
TRU35200R	Red	Lamp	Fit 'N Forget M/C, No Plug
TRU35200Y	Yellow	Lamp	Fit 'N Forget M/C, No Plug
TRU35001R	Red	Kit	Lamp TRU35200R + Pigtail TRU94862
TRU35001Y	Yellow	Kit	Lamp TRU35200Y + Pigtail TRU94862



Accessories

Pigtail
TRU94862

Model 35 Combo Sealed

4.00 in. x 1.16 in. Rectangle LED

	Color	Type	Addtl
TRU35375R	Red	Lamp	Fit 'N Forget M/C, No Plug
TRU35375Y	Yellow	Lamp	Fit 'N Forget M/C, No Plug
TRU35075R	Red	Kit	Lamp TRU35375R + Pigtail TRU94862
TRU35075Y	Yellow	Kit	Lamp TRU35375Y + Pigtail TRU94862



Accessories

Pigtail
TRU94862

Clearance / Marker

LHT

Lighting

Rectangular

Truck-Lite

Signal-Stat Rectangle

3.91 in. x 1.22 in. Rectangle LED

Type	Color	
Lamp	Red	TRU1960
Lamp	Yellow	TRU1960A



(TRU1960)



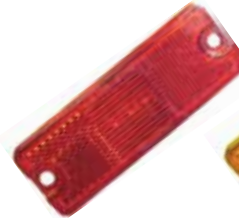
(TRU1960A)

Male Pin
No Plug

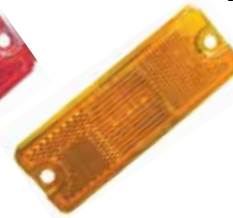
18 Series Sealed OmniVolt

4.50 in. x 1.63 in. Rectangle LED

Type	Color	
Lamp	Red	TRU18050R
Lamp	Yellow	TRU18050Y



(TRU18050R)



(TRU18050Y)

Hardwired
Blunt Cut

Male Pin 21 Rectangle

5.88 in. x 2.02 in. Rectangle

	Color	Type	Addtl Info
TRU29202R	Red	Lamp	Male Pin, No Plug
TRU29202Y	Yellow	Lamp	Male Pin, No Plug
TRU29203R	Red	Reflective Lamp	Male Pin, No Plug
TRU29203Y	Yellow	Reflective Lamp	Male Pin, No Plug



(TRU29202R)



(TRU29202Y)



(TRU29203R)



(TRU29203Y)

Signal-Stat Sealed, Reflectorized

6.00 in. x 2.00 in. Rectangle LED

Type	Color	
Lamp	Red	TRU2150
Lamp	Yellow	TRU2150A



(TRU2150)



(TRU2150A)

Hardwired
Stripped End

26 Series Dome Lens & Surface Mount

4.75 in. x 2.00 in. Rectangle LED

Type	Color	
Lamp	Red	TRU26270R
Lamp	Yellow	TRU26270Y



(TRU26270R)



(TRU26270Y)

Hardwired
.180 Bullet

Definition

Electric Term

Wire Size:

Conductors that carry the electricity to lighting are measured according to the American Wire Gage. The size of wires is important to allow the proper flow of electrons and prevent overheating.

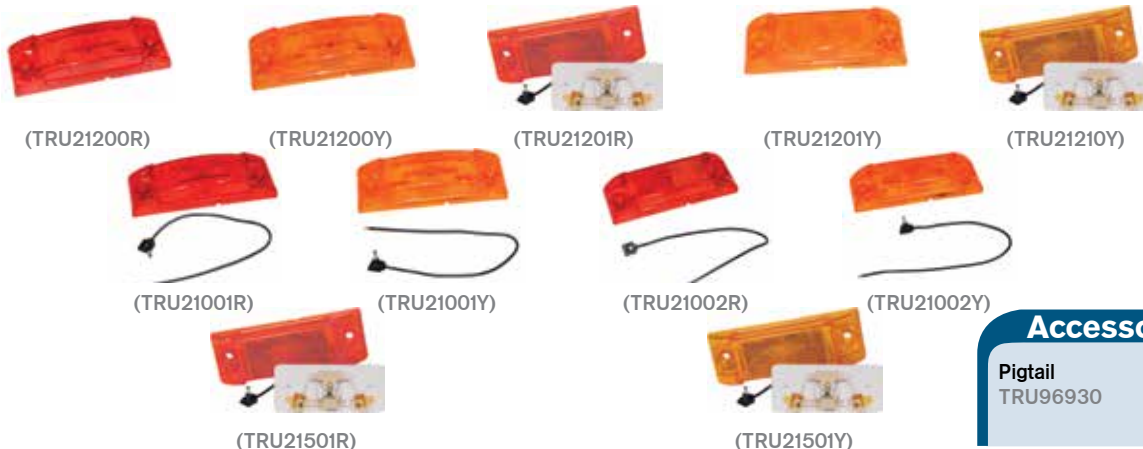
Rectangular

Truck-Lite

Super 21 Sealed

6.00 in. x 2.03 in. Rectangle

	Color	Type	Addtl Info
TRU21200R	Red	Lamp	Super 21 Plug Connection, No Plug
TRU21200Y	Yellow	Lamp	Super 21 Plug Connection, No Plug
TRU21201R	Red	Reflective Lamp	Super 21 Plug Connection, No Plug
TRU21201Y	Yellow	Reflective Lamp	Super 21 Plug Connection, No Plug
TRU21210Y	Yellow ABS	Lamp	Super 21 Plug Connection, No Plug
TRU21001R	Red	Kit	Lamp TRU21200R + Pigtail TRU96930
TRU21001Y	Yellow	Kit	Lamp TRU21200Y + Pigtail TRU96930
TRU21002R	Red	Reflective Kit	Lamp TRU21201R + Pigtail TRU96930
TRU21002Y	Yellow	Reflective Kit	Lamp TRU21201Y + Pigtail TRU96930
TRU21501R	Red	Reflective Kit	Lamp TRU21203R + Bracket TRU21720 + Pigtail TRU94914 & TRU96815
TRU21501Y	Yellow	Reflective Kit	Lamp TRU21203Y + Bracket TRU21720 + Pigtail TRU94914 & TRU96815



Accessories

Pigtail
TRU96930

Model 21 Sealed PC Rated

6.00 in. x 2.03 in. Rectangle LED

	Color	Type	Addtl Info
TRU21275R	Red	Lamp	Fit 'N Forget M/C, No Plug
TRU21275Y	Yellow	Lamp	Fit 'N Forget M/C, No Plug
TRU21075R	Red	Kit	TRU94862 Pigtail + TRU21275R Lamp
TRU21075Y	Yellow	Kit	TRU94862 Pigtail + TRU21275Y Lamp



Accessories

Pigtail
TRU94862

Clearance / Marker

LHT

Lighting

Rectangular

Truck-Lite

Model 21 Sealed w/Reflex

6.00 in. x 2.03 in. Rectangle LED

	Color	Type	Addtl Info
TRU21251R	Red	Lamp	Fit 'N Forget M/C, No Plug
TRU21251Y	Yellow	Lamp	Fit 'N Forget M/C, No Plug
TRU21051R	Red	Lamp	Lamp TRU21251R + TRU94862
TRU21051Y	Yellow	Lamp	Lamp TRU21251Y + TRU94862

Accessories

Pigtail
TRU94862



(TRU21051Y)



(TRU21051R)



(TRU21251Y)



(TRU21251R)

Clearance / Marker

21 Series Sealed

6.00 in. x 2.03 in. Rectangle LED

Type	Color	
Kit	Yellow	TRU21096Y



Hardwired
AMP 282105-1

Includes: 21290Y lamp, 97047 mounting gasket + 95918 hardware bag + harness

Model 14 Sealed

2.88 in. x 1.94 in. Rectangle

Includes	Type	Color	
Housing	Lamp	Red	TRU14200R
Housing	Lamp	Yellow	TRU14200Y



(TRU14200R)



(TRU14200Y)

PL-10
No Plug

UBLights

Rectangle Sealed Lamp

4.00 in. x 0.88 in. Rectangle

Type	Color	
Lamp	Red	LHTSI1040R
Lamp	Amber	LHTSI1040A



(LHTSI1040R)



(LHTSI1040A)

Pigtails

See Electrical Section

LHT

Trucklite

Marker

538

800.621.7949

= Key Items

www.AuroraParts.com

2 in. Round

MicroNova

1.94 in. x 1.09 in. LED

Includes	Type	Color	
Grommet + Lamp	Kit	Red	GRT47962
Grommet + Lamp	Kit	Yellow	GRT47963



(GRT47962)

(GRT47963)

Accessories

Bracket
GRT43690

Grote
Sealed

2.00 in. Round

Type	Color	
Lamp	Red	GRT45822
Lamp	Yellow	GRT45823



(GRT45822)

(GRT45823)

Accessories

Grommet
GRT92120, GRT93760,
GRT92150

Pigtail
GRT67001, GRT66850,
GRT66851, GRT66801,
GRT67050, GRT66840,
GRT66800

SuperNova Round

2.00 in. Round LED

Type	Color	
Lamp	Red	GRT47112
Lamp	Yellow	GRT47113



(GRT47112)

(GRT47113)

Accessories

Grommet
GRT92120, GRT93760,
GRT43430, GRT92150

Pigtail
GRT67001, GRT66850,
GRT66851, GRT66801,
GRT67050, GRT66840,
GRT66800

Hi Count® 9 Diode

2.00 in. Round LED

Type	Color	
Lamp	Red	GRTG3002
Lamp	Yellow	GRTG3003



(GRTG3002)

(GRTG3003)

Accessories

Grommet
GRT92120, GRT93760,
GRT92150

Pigtail
GRT67001, GRT66850,
GRT66851, GRT66801,
GRT67050, GRT66840,
GRT66800

Peterson

190 Single Diode with Reflex

2.00 in. Round LED

Type	Color	
Lamp	Red	PETM190FR
Lamp	Amber	PETM190FA



(PETM190FR)

(PETM190FA)

Accepts Industry
Standard 2-Wire
Plug

Accessories

Retaining Clip
PETB162-093

Clearance / Marker

LHT

Grote

PETERSON

Lighting

2 in. Round

Pro-Par

2.00 in. Round LED

	Color	Type	Addtl Info
PROLED20-8R	Red	Lamp	PL-10
PROLED20-8A	Amber	Lamp	PL-10
PROLED20-8RCL	Red	Red Lamp w/Clear Lens	PL-10
PROLED20-8ACL	Amber	Amber Lamp w/Clear Lens	PL-10



(PROLED20-8R)



(PROLED20-8A)



(PROLED20-8RCL)



(PROLED20-8ACL)

Accessories

Pigtail
TRU94964

Optronics

MCL52/54 Series Sealed

2.06 in. Round LED

Includes	Type	Color	
Flange Mount + weathertight connection	Kit	Red	OPTMCL52RMB
	Kit	Yellow	OPTMCL52AMB



(OPTMCL52RMB)



(OPTMCL52AMB)

PL-10

ABS Warning Marker Sealed

2.00 in. Round

Type	Color	
Kit	Yellow	OPTMC53ABS



PL-10

Truck-Lite

Model 30 Sealed

2.00 in. Round

Direction	Type	Color	
Horizontal	Lamp	Yellow ABS	TRU30230Y
Vertical	Lamp	Yellow ABS	TRU30257Y



(TRU30230Y)



(TRU30257Y)

PL-10
No Plug

Accessories

Pigtail
TRU94902

Model 30 Sealed

2.00 in. Round

Type	Color	
Lamp	Red	TRU30200R
Lamp	Yellow	TRU30200Y



(TRU30200R)



(TRU30200Y)

PL-10
No Plug

Accessories

Pigtail
TRU94902

pro-par
Over Heavy Duty Parts

Clearance / Marker

LHT

Optronics

Truck-Lite

2 in. Round

Truck-Lite

Model 30 Flange Sealed

2.00 in. Round

	Color	Mounting	Packaging	Addtl Info
TRU30221R	Red	Flush	-	PL-10
TRU30221R-UB	Red	Flush	Unbagged	PL-10
TRU30221Y	Yellow	Flush	-	PL-10
TRU30221Y-UB	Yellow	Flush	Unbagged	PL-10
TRU30222R	Red	Surface	-	PL-10
TRU30222Y	Yellow	Surface	-	PL-10



(TRU30221R / TRU30221R-UB)



(TRU30221Y / TRU30221Y-UB)



(TRU30222R)



(TRU30222Y)

Model 30 Low Profile Sealed

2.01 in. Round LED

	Color	Type	Addtl Info
TRU30270R	Red	Lamp	Fit 'N Forget M/C, No Plug
TRU30270Y	Yellow	Lamp	Fit 'N Forget M/C, No Plug
TRU30272R	Red	Flange-Kit	Gray Flange + TRU30270R Lamp
TRU30272Y	Yellow	Flange-Kit	Gray Flange + TRU30270Y Lamp



(TRU30270R)



(TRU30270Y)



(TRU30272R)



(TRU30272Y)

Accessories

Grommet
TRU30700

Pigtail
TRU93745

Model 30 Low Profile PC Rated

2.25 in. Round LED

	Color	Type	Connection	Includes
TRU30285R	Red	Lamp	Standard	
TRU30285Y	Yellow	Lamp	Standard	
TRU30385R	Red	Lamp	Fit 'N Forget	
TRU30385Y	Yellow	Lamp	Fit 'N Forget	
TRU30386R	Red	Flange-Kit	Fit 'N Forget	Gray Flange + TRU30385R Lamp
TRU30386Y	Yellow	Flange-Kit	Fit 'N Forget	Gray Flange + TRU30385Y Lamp



(TRU30285R)



(TRU30386R)



(TRU30285Y)



(TRU30385R)



(TRU30386Y)



(TRU30385Y)

Accessories

Grommet
TRU30700

Standard Pigtail
TRU94964
Fit 'N Forget Pigtail
TRU93745

Clearance / Marker

LHT

Truck-Lite

Lighting

2 in. Round

Truck-Lite

Model 30 Sealed

2.01 in. Round LED

	Color	Type	Addtl Info
TRU30250R	Red	Lamp	Fit 'N Forget M/C, No Plug
TRU30250Y	Yellow	Lamp	Fit 'N Forget M/C, No Plug
TRU30051R	Red	Flange-Kit	TRU93745 Pigtail + Gray Flange + TRU30250R Lamp
TRU30051Y	Yellow	Flange-Kit	TRU93745 Pigtail + Gray Flange + TRU30250Y Lamp
TRU30251R	Red	Flange-Kit	Gray Flange + TRU30250R Lamp
TRU30251Y	Yellow	Flange-Kit	Gray Flange + TRU30250Y Lamp
TRU30271Y	Yellow ABS	Flange-Kit	Gray Flange + TRU30271Y Lamp
TRU30050R	Red	Grommet-Kit	TRU30700 Grommet + TRU30250R Lamp
TRU30050Y	Yellow	Grommet-Kit	TRU30700 Grommet + TRU30250Y Lamp



(TRU30250R)



(TRU30250Y)



(TRU30051R)



(TRU30051Y)



(TRU30251R)



(TRU30251Y)



(TRU30271Y)



(TRU30050R)



(TRU30050Y)

Accessories

Grommet
TRU30700

Pigtail
TRU93745

Clearance / Marker

LHT

Trucklite

Model 30 High Profile PC Rated

2.24 in. Round LED

	Color	Type	Connection	Includes
TRU30275R	Red	Lamp	Standard	
TRU30275Y	Yellow	Lamp	Standard	
TRU30279R	Red	Flange-Kit	Standard	Lamp TRU30275R + Gray Flange
TRU30279Y	Yellow	Flange-Kit	Standard	Lamp TRU30275Y + Gray Flange
TRU30375R	Red	Lamp	Fit 'N Forget	
TRU30375Y	Yellow	Lamp	Fit 'N Forget	



(TRU30275R)



(TRU30275Y)



(TRU30279R)



(TRU30279Y)



(TRU30375R)



(TRU30375Y)

Accessories

Grommet
TRU30700

Standard Pigtail
TRU94964

Fit 'N Forget Pigtail
TRU93745

Marker

542

800.621.7949

= Key Items

www.AuroraParts.com

2 in. Round

Truck-Lite Signal-Stat Round

2.00 in. Round LED

Type	Color	
Lamp	Red	TRU3050
Lamp	Yellow	TRU3050A



(TRU3050) (TRU3050A)

PL-10
No Plug

Accessories

Pigtail
TRU94964

UBLights

Round Sealed Lamp

2.00 in. Round

Type	Color	
Lamp	Red	LHTSI2000R
Lamp	Amber	LHTSI2000A



(LHTSI2000R) (LHTSI2000A)

Accessories

Grommet
LHTGR2000
Pigtail
LHTPT6020

2-1/2 in. Round

SuperNova Round

2.5 in. Round LED

Type	Color	
Lamp	Red	GRT47122
Lamp	Yellow	GRT47123



(GRT47122) (GRT47123)

Accessories

Grommet
GRT91400, GRT91410,
GRT91880, GRT91890,
GRT92070
Pigtail
GRT67001, GRT66850,
GRT66851, GRT66801,
GRT67050, GRT66840,
GRT66800

Grote SuperNova Round PC Rated

2.50 in. Round LED

Type	Color	
Lamp	Red	GRT47232
Lamp	Yellow	GRT47233



(GRT47232) (GRT47233)

Accessories

Grommet
GRT91400, GRT91410,
GRT91880, GRT91890,
GRT92070
Pigtail
GRT67001, GRT66850,
GRT66851, GRT66801,
GRT67050, GRT66840,
GRT66800

Peterson

Model 30 Low Profile Sealed

2.01 in. Round LED

	Color	Type	Addtl Info
PETM163R	Red	Lamp	Accepts Industry Standard 2-Prong Plug
PETM163A	Amber	Lamp	Accepts Industry Standard 2-Prong Plug
PET163KR-MV	Red	Flange-Kit	Gray Flange + PETM163R Lamp
PET163KA-MV	Amber	Flange-Kit	Gray Flange + PETM163A Lamp



(PETM163R) (PETM163A) (PET163KR-MV) (PET163KA-MV)

Accessories

Grommet
PETB143-18
Pigtail
PETB162-49

Clearance / Marker

Truck-Lite

LHT

Grote

PETERSON

Lighting

2-1/2 in. Round

Peterson

189 Single Diode with Reflex 2.50 in. Round LED

Type	Color	
Lamp	Red	PETM189FR
Lamp	Amber	PETM189FA



(PETM189FR)



(PETM189FA)

Accessories

Retaining Clip
PETB162-093

UBLights

Round Sealed Lamp 2.50 in. Round

Type	Color	
Lamp	Red	LHTSI2500R
Lamp	Amber	LHTSI2500A



(LHTSI2500R)



(LHTSI2500A)

Accessories

Grommet
LHTGR2500
Pigtail
LHTPT6020

Pro-Par

2.50 in. Round LED

	Color	Type	Addtl Info
PROLED25-10R	Red	Lamp	PL-10
PROLED25-10A	Amber	Lamp	PL-10
PROLED25-10RCL	Red with clear lens	Lamp	PL-10
PROLED25-10ACL	Amber with clear lens	Lamp	PL-10
PROLED25-4R	Red with reflector	Lamp	PL-10
PROLED25-4A	Yellow with reflector	Lamp	PL-10



(PROLED25-10R)



(PROLED25-10A)



(PROLED25-4R)



(PROLED25-10RCL)



(PROLED25-4A)



(PROLED25-10ACL)

Accessories

Pigtail
TRU94964

Truck-Lite

Model 10 Sealed

2.54 in. Round

	Color	Type	Addtl info
TRU10202R	Red	Lamp	PL-10, No Plug
TRU10202Y	Yellow	Lamp	PL-10, No Plug
TRU10205R	Red	Reflective Lamp	PL-10, No Plug
TRU10205Y	Yellow	Reflective Lamp	PL-10, No Plug



(TRU10202R)



(TRU10202Y)



(TRU10205R)



(TRU10205Y)

Accessories

Grommet
TRU10700
Pigtail
TRU94902

Clearance / Marker

PETERSON

LHT

pro-par
OVER 30 Years of Quality Products

Truck-Lite

Marker

544

800.621.7949

= Key Items

www.AuroraParts.com

2-1/2 in. Round

Truck-Lite

Super 10 Sealed

2.54 in. Round

	Color	Type	Addtl Info
TRU10208R	Red	Lamp	PL-10, No Plug
TRU10208Y	Yellow	Lamp	PL-10, No Plug
TRU10212Y	Yellow ABS	Lamp	PL-10, No Plug



(TRU10208R)



(TRU10208Y)



(TRU10212Y)

Accessories

Grommet
TRU10700

Pigtail
TRU94902

Model 10 Sealed

2.54 in. Round LED

	Color	Type	Addtl Info
TRU10250R	Red	Lamp	Fit 'N Forget M/C, No Plug
TRU10250Y	Yellow	Lamp	Fit 'N Forget M/C, No Plug
TRU10251R	Red	Flange-Kit	Lamp TRU10250R + Gray Flange
TRU10251Y	Yellow	Flange-Kit	Lamp TRU10250Y + Gray Flange



(TRU10202R)



(TRU10202Y)



(TRU10205R)



(TRU10205Y)

Accessories

Grommet
TRU10700

Pigtail
TRU93745

Model 10 Low Profile PC Rated

2.50 in. Round LED

	Color	Type	Connection	Includes
TRU10286R	Red	Lamp	Standard	
TRU10286Y	Yellow	Lamp	Standard	
TRU10385R	Red	Lamp	Fit 'N Forget	
TRU10385Y	Yellow	Lamp	Fit 'N Forget	
TRU10389R	Red	Flange-Kit	Fit 'N Forget	Gray Flange + TRU10286R Lamp
TRU10389Y	Yellow	Flange-Kit	Fit 'N Forget	Gray Flange + TRU10286Y Lamp



(TRU10286R)



(TRU10389R)



(TRU10286Y)



(TRU10385R)



(TRU10389Y)



(TRU10385Y)

Accessories

Grommet
TRU10700

Pigtail
TRU94964

Clearance / Marker

LHT

Lighting

2-1/2 in. Round

Truck-Lite

Model 10 High Profile

2.50 in. Round LED PC Rated

	Color	Type	Connection	Includes
TRU10275R	Red	Lamp	Standard	
TRU10275Y	Yellow	Lamp	Standard	
TRU10279R	Red	Flange-Kit	Standard	Gray Flange + TRU10275R Lamp
TRU10279Y	Yellow	Flange-Kit	Standard	Gray Flange + TRU10275Y Lamp
TRU10375R	Red	Lamp	Fit 'N Forget	
TRU10375Y	Yellow	Lamp	Fit 'N Forget	
TRU10379R	Red	Flange-Kit	Fit 'N Forget	Gray Flange + TRU10375R Lamp
TRU10379Y	Yellow	Flange-Kit	Fit 'N Forget	Gray Flange + TRU10375Y Lamp



(TRU10275R)



(TRU10275Y)



(TRU10279R)



(TRU10279Y)



(TRU10375R)



(TRU10375Y)



(TRU10379R)



(TRU10379Y)

Accessories

Grommet
TRU10700

Standard Pigtail
TRU94964

Fit 'N Forget Pigtail
TRU93745

Clearance / Marker

LHT

Trucklite

Signal-Stat Round

2.50 in. Round LED

	Color	Type	Addtl Info
TRU1050	Red	Lamp	PL-10, No Plug
TRU1050A	Yellow	Lamp	PL-10, No Plug
TRU1052	Red	Reflective Lamp	PL-10, No Plug
TRU1052A	Yellow	Reflective Lamp	PL-10, No Plug



(TRU1050)



(TRU1050A)



(TRU1052)



(TRU1052A)

Accessories

Pigtail
TRU94964

More Information

Advantages of LED

Safety:

Increases vehicle visibility with intense displays of light output.

Reliability:

Extended period of operation.

Energy Efficiency:

85% reduction of load on electrical systems

Durability

Virtually impervious to shock & vibration.

Marker

546

800.621.7949

= Key Items

www.AuroraParts.com

Single Diode

Grote

MicroNova Dot with Grommet

1.13 in. Round LED

Type	Color	
Kit	Red	GRT49332
Kit	Yellow	GRT49333



(GRT49332)

(GRT49333)

Accessories

Bracket
GRT42110

Dual Intensity MicroNova with Grommet

1.13 in. Round LED

Type	Color	
Kit	Red	GRT49362
Kit	Yellow	GRT49363



(GRT49362)

(GRT49363)

Peterson

Piranha LED

0.75 in. Round LED

	Color	Type	Includes
PET176KR	Red	Kit	Lamp & Grommet PETB177-18
PET176KA	Yellow	Kit	Lamp & Grommet PETB177-18



(PET176KR)

(PET176KA)

Accessories

Grommet
PETB177-18

Phillips

BoardFree Lighting PC2 Rated

0.75 in. Round LED

Type	Color	
Lamp	Red	PHI51-34302
Lamp	Yellow	PHI51-34303



(PHI51-34302)

(PHI51-34303)

Integrated Male
2 Pin AMP
Connector

Definition

Electric Term

AMP:

Unit of measurement applied to the flow of electrical current through a conductor. AMP can also be called current.

Clearance / Marker

Grote

LHT

PETERSON

PHILIPS

Lighting

Single Diode

Truck-Lite

33 Series Sealed 1 Diode

0.719 in. Round LED

	Color	Type	Addtl Info
TRU33275R	Red	Lamp	Hardwired, .180 Bullet
TRU33275Y	Yellow	Lamp	Hardwired, .180 Bullet
TRU33080R	Red	Black Flange + TRU33275R Lamp	
TRU33080Y	Yellow	Black Flange + TRU33275Y Lamp	



Model 33 Sealed

0.72 in. Round LED

	Color	Type	Connection	Included
TRU33250R	Red	Lamp	Hardwired, .180 Bullet	
TRU33250Y	Yellow	Lamp	Hardwired, .180 Bullet	
TRU33259R	Red	Lamp		
TRU33259Y	Yellow	Lamp		
TRU33050R	Red	Grommet-Kit	Hardwired, .180 Bullet	Lamp + Grommet TRU33700
TRU33050Y	Yellow	Grommet-Kit	Hardwired, .180 Bullet	Lamp + Grommet TRU33700
TRU33075R	Red	Grommet-Kit	Hardwired, .180 Bullet	Lamp + Grommet TRU33700
TRU33075Y	Yellow	Grommet-Kit	Hardwired, .180 Bullet	Lamp + Grommet TRU33700
TRU33077R	Red	Grommet-Kit	2 Position Plug	Lamp + Grommet TRU33700
TRU33203R	Red	Grommet-Kit	Hardwired, .180 Bullet	Dual Function Lamp + Grommet TRU33700



Accessories

Grommet
TRU30700

Model 33

Round LED

	Color	Type
TRU33286R	Red	Lamp
TRU33286Y	Yellow	Lamp



Clearance / Marker

LHT

Trucklite

Marker

548

800.621.7949

= Key Items

www.AuroraParts.com

Identification Bar

Truck-Lite

15 Series ID Bar

16.50 in. x 1.37 in. Rectangle LED

	Color	Type	Material	Includes
TRU15050R	Red	Kit	Stainless Steel	(3) Lamp TRU15250R + ID Bar TRU00808 + Pigtail TRU93943
TRU15741R	Red	Kit	Stainless Steel	(3) Lamp TRU15200R + ID Bar TRU00808 + Pigtail TRU93943
TRU15745R	Red	Kit	Polycarbonate	(3) Lamp TRU15200R + ID Bar TRU00817 + Pigtail TRU93945



(TRU15050R)



(TRU15741R)



(TRU15745R)

10 Series Metal ID Bar

16.00 in. x 1.25 in. Rectangle
TRU10744R



Color	Type	Material	Includes
Red	Kit	Stainless Steel	(3) Lamp TRU10202R ID Bar TRU00798 Pigtail TRU93906

35 Series ID Bar Aluminum

17.00 in. x 1.00 in. Rectangle LED
TRU35740R



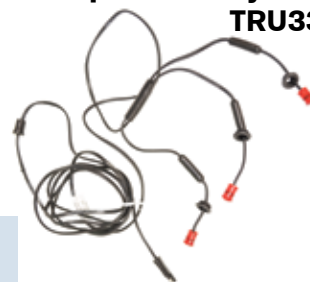
Color	Type	Includes
Red	Kit	(3) Lamp TRU35200R ID Bar TRU00815 Pigtail TRU96989

33 Series ID Assembly - 56 in.
TRU33740R



Color	Type	Includes
Red	Kit	(3) Lamp Grommet Mount 0.180 Bullets

ID Lamp Assembly - 168 in.
TRU33750R



Color	Type
Red	Kit

Truck-Lite

ID Assembly - 56 in.
TRU33754R



Color	Type
Red	Kit

Wabash

Top Rear Header
WAB14200933



Type	Includes
Kit	Harness

Identification Bar

LHT

Truck-Lite

WABASH

Lighting

Interior / Utility

Grote

Torsion Mount® II Dual-System
4.313 in. Round

BU 2-Wire	Finish	Color	
	Frosted	Clear	GRT62171



Phillips

3 Diode Lamp
0.75 in. Round

Type	Color	
Lamp	Clear	PHI51-34751



Peterson

Great White® Lamp
1.06 in. Round

Lead	Color	
8 in.	Clear	PETM291C-BT2
36 in.	Clear	PETM291C-BT236



Chrome License Plate
2.75 in. x 1.50 in. Rectangle

Type	Color	
Lamp	Clear	PETM435



Truck-Lite

Signal-Stat 24 Diode
7.56 in. x 3.31 in. Oval

Type	Color	
Lamp	Clear	TRU6060C



PL-2
No Plug

26 Series Bulb Replaceable
2.75 in. x 1.50 in. Rectangle

Type	Color	
Lamp	Clear	TRU26330



Hardwired
Stripped End

Conspicuity Tape

See Safety & Security Section

Grote

PETERSON

LHT

PHILIPS

TruckLite

License

Interior / Utility

Truck-Lite

33 Series License

0.72 in. Round LED

Includes	Type	Color	
-	Lamp	Clear	TRU33210C
Lamp TRU33210C + Grommet TRU33705	Kit	Clear	TRU33010C



(TRU33210C)

(TRU33010C)

Accessories

Grommet
TRU33705

Hardwired
.180 Bullet

33 Series 1 Diode Auxiliary

0.719 in. Round LED

Type	Color	
Lamp	Clear	TRU33065C



Hardwired
.180 Bullet

26 Series Bulb Replaceable

1.50 in. Round

Type	Color	
Lamp	Clear	TRU26331



Hardwired
.180 Bullet

30 Series Utility Sealed

2.00 in. Round

Type	Color	
Lamp	Clear	TRU30200C



PL-10
No Plug

17 Series Sealed

3.13 in. x 1.92 in. Triangular

Type	Color	
Lamp	Clear	TRU17200



Super 44, 6 Diode

5.50 in. Round

Type	Color	
Lamp	Clear	TRU44344C



Fit 'N Forget
S.S.
No Plug

Definition

Electric Term

Volt:

Unit of measurement applied to the difference in electrical potential between two points; that is, the potential for electricity to flow.

Lighting

Rectangular

Grote

License / Utility - Sealed 12V
2.63 in. x 1.25 in. Rectangle

Type	Color	
Lamp	Clear	GRT60261



Accessories

Bracket
 GRT43952
 Pigtail
 GRT66850

License / Back Up - Sealed 12V
3.797 in. x 1.203 in. Rectangle

Type	Color	
Lamp	Clear	GRT60291



Grote

Sealed Turtleback II - Male Pin 12V
5.88 in. x 2.00 in. Rectangle

Type	Color	
Lamp	Clear	GRT60331



Accessories

Pigtail
 GRT66910

Meritor

Tire Inflation System Light
Rectangle

Type	Color	
Lamp	Clear	MTR31263-14



Optronics

LPL91 Series Sealed License
2.50 in. x 1.25 in. Rectangle

Type	Color	
Lamp	Clear	OPTLPL91CB



LP91 Series Sealed License/Utility
2.50 in. x 1.188 in. Rectangle

Type	Color	
Lamp	Clear	OPTLP91CB



Grote

License

LHT

MERITOR

OPTRONICS

Rectangular

Peterson

Piranha LED

2.50 in. x 1.19 in. Rectangle LED

	Color	Type	Connection
PETM153C-BT2	White	Lamp	0.180 Bullets
PETM153C-MV	White	Lamp	9-32V
PETM153C-P	White	Lamp	2-Wire Female Plug



(PETM153C-BT2)



(PETM153C-MV)



(PETM153C-P)

License Plate/ Utility

2.50 in. x 1.20 in. Rectangle

Type	Color	
Lamp	Clear/Painted	PETM150C



Accessories

Pigtail
PETB142-49

15 Series Sealed

2.48 in. x 1.20 in. Rectangle

Packaging	Type	Color	
Bagged	Lamp	Clear	TRU15208
Unbagged	Lamp	Clear	TRU15208-UB



PL-10
No Plug

Truck-Lite

License Plate LED

Rectangle

Type	Color	
Lamp	Clear	TRU15217



See Safety & Security

Conspicuity Tape

Lighting

Rectangular

Truck-Lite

15 Series License & Utility

2.48 in. x 1.20 in. Rectangle

	Color	Type	Addtl Info
TRU15205	Clear	Lamp	Hard-wire with Adapter Plug
TRU15227	Clear	Lamp	0.180 Bullets



(TRU15205)



(TRU15227)

Accessories

Bracket
TRU15729

19 Series Sealed

3.78 in. x 1.23 in. Rectangle

Type	Color	
Lamp	Clear	TRU19206



19 Series
Male Pin
No Plug

Super 21 Rectangle

6.00 in. x 2.03 in. Rectangle

Includes	Type	Color	
-	Lamp	Clear	TRU21204C
TRU96930 Pigtail + TRU21204C Lamp	Kit	Clear	TRU21004C



Super 21 Plug
No Plug

License

LHT

UBLights

License Lamp

2.00 in. x 1.00 in. Rectangle

Type	Color	
Lamp	Clear	LHTSI1225L



Definition

Electric Term

Watt:

Unit of power applied to the rate at which energy is used. Power is the amount of work that can be accomplished in a specified amount of time.

Oblong / Hooded

Grote

Duramold Resealable License

2.63 in. x 1.63 in. Rectangle

Type	Color	
Lamp	Gray	GRT60001



Accessories

Cap
GRT93610

Optronics

LP91 Series License / Utility

3.438 in. x 2.688 in. Rectangle

Type	Color	
Lamp	Clear	OPTLP26SKB



Peterson

Vibar Socket License

4.00 in. x 1.75 in. Rectangle

Type	Color	
Lamp	Clear	PETM436



Truck-Lite

26 Series Bulb Replaceable

2.63 in. x 1.63 in. Rectangle

Type	Housing	Color	
Lamp	Gray	Clear	TRU26335



UBLights

License Lamp in Housing

3.50 in. x 2.50 in. Rectangle

Type	Color	
Lamp	Clear	LHTL2001



See Electrical Section

Pigtails

Lighting

License

Grote

Small Rectangular License

3.375 in. x 3.00 in. Rectangle

Type	Color	
Lamp	Clear	GRT60280



MicroNova® LED License

3.42 in. x 2.29 in. Rectangle

Type	Color	
Lamp	Clear	GRT60681



Grote

SuperNova License

3.50 in. x 2.00 in. Rectangle LED

Type	Color	
Kit	Gray	GRT60381



Optronics

LPL31 Series Mini LED License

2.563 in. x 1.188 in. Rectangle

Type	Color	
Lamp	Clear	OPTLPL31CB



Truck-Lite

15 Series License

3.38 in. x 2.52 in. Rectangle

	Color	Type	Packaging	Includes
TRU15011	Clear	Kit	Bagged	15208 incandescent lamp + 15729 gray bracket + 97032 mounting gasket
TRU15011-UB	Clear	Kit	Unbagged	15208 incandescent lamp + 15729 gray bracket + 97032 mounting gasket
TRU15040	Clear	Kit	Bagged	15205 LED lamp, 15729 gray bracket + 97032 mounting gasket
TRU15041	Clear	Kit	Bagged	15205 LED lamp, 15730 black bracket + 97032 mounting gasket



(TRU15011/TRU15011-UB)



(TRU15040)



(TRU15041)

Grote

License

LHT

Optronics

Truck-Lite

Module

Truck-Lite

Metal S/T/T With Side Marker Super 44

13.50 in. x 7.75 in. Rectangle

	Color	Side	Type	Includes
TRU40756	Red	Road	Kit	(2) Lamp TRU40202R + Lamp TRU19200 + (2) Grommet TRU40700 + Module Box + Pigtail TRU94942 + Pigtail TRU94933
TRU40757	Red	Curb	Kit	(2) Lamp TRU40202R + Lamp TRU19200 + (2) Grommet TRU40700 + Module Box + Pigtail TRU94943 + Pigtail TRU94933
TRU40725	Red	-	Module	



(TRU40756)



(TRU40757)



(TRU40725)

Metal Power Unit

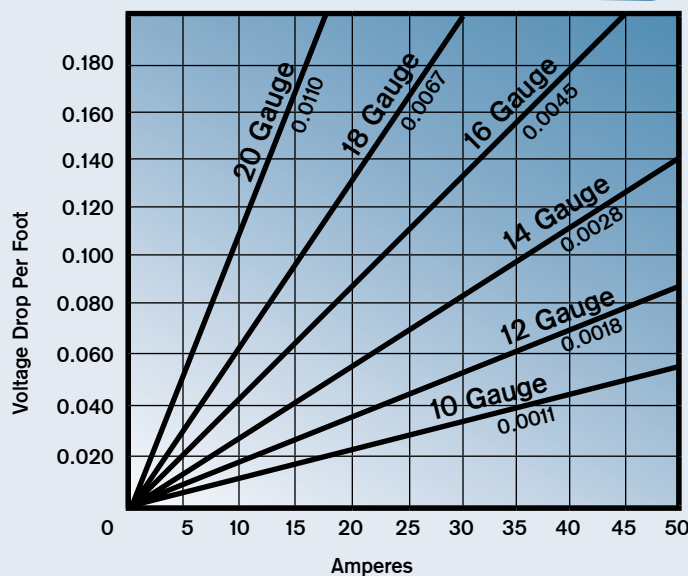
32.00 in. x 8.34 in. Rectangle

	Type	Includes
TRU40850	Kit	(2) TRU40242R Lamp + (2) TRU40700 Grommet + TRU40204 Lamp + Junction Box + Harness + TRU19206 Lamp



Application Chart

Wire Gauge



Module

LHT



Lighting

Arrow / Pedestal

Grote

Jumbo Single-Face 7.00 in. Round

Connection	Type	Lens	Color	
0.180 Terminal	Lamp	Arrow	Yellow	GRT78303
Blunt Cut	Lamp	Arrow	Yellow	GRT78313



(GRT78303)



(GRT78313)

Pro-Par

Pedestal LED Lamp

Double Face 21 Diodes

Type	Color	
Lamp	Red/Amber	PROLED46-21RA



(PROLED46-21R&A)

JVR Safe-T-Signal

Flashing Arrow

8.00 in. Round

	Color	Side	Type	Includes
SAFGL102KIT	Amber	Road	Kit	Lamp + Galvanized Steel Sign
SAFGR101KIT	Amber	Curb	Kit	Lamp + Galvanized Steel Sign



(SAFGL102KIT)



(SAFGR101KIT)

Mid / Side Turn

Grote

Torsion Mount III

6.50 in. x 2.25 in. Oval LED

Type	Color	
Lamp	Red	GRT52512
Lamp	Yellow	GRT52513



(GRT52512)



(GRT52513)

Accessories

Pigtail
GRT67090

Male-Pin Torsion Mount III

6.50 in. x 2.25 in. Oval

Type	Color	
Lamp	Yellow	GRT52533



Accessories

Pigtail
GRT67002

Stop / Tail / Turn

LHT

Grote

Mid / Side Turn

Peterson

Piranha Mid-Turn

6.50 in. x 2.25 in. Oval LED

Includes	Type	Color	
Lamp + Black Flange	Flange-Kit	Amber	PETM350AF



Compliant Mid-Turn

6.50 in. x 2.25 in. Oval

Includes	Type	Color	
Lamp + Gray Flange	Flange-Kit	Amber	PETM354AF-AMP



LumenX® Mid-Turn

7.88 in. x 3.63 in. Oval

Includes	Type	Color	
Lamp + Gray Flange	Flange-Kit	Amber	PETM356AF



22 Series Side Turn Sealed

5.94 in. x 2.41 in. Rectangle

	Color	Type	Addtl info
TRU22202R	Red	Lamp	PL-3, No Plug
TRU22202Y	Yellow	Lamp	PL-3, No Plug
TRU22006R	Red	Gasket-Kit	Lamp TRU22202R + Gasket TRU97987
TRU22006Y	Yellow	Gasket-Kit	Lamp TRU22202Y + Gasket TRU97987
TRU22002R	Red	Kit	Lamp TRU22202R + Pigtail TRU94993
TRU22002Y	Yellow	Kit	Lamp TRU22202Y + Pigtail TRU94993
TRU22004R	Red	Gasket-Kit	Lamp TRU22002R + Gasket TRU97987 + Pigtail TRU94993
TRU22004Y	Yellow	Gasket-Kit	Lamp TRU22002Y + Gasket TRU97987+ Pigtail TRU94993



(TRU22202R)



(TRU22202Y)



(TRU22006R)



(TRU22006Y)



(TRU22002R)



(TRU22002Y)



(TRU22004R)



(TRU22004Y)

Truck-Lite

Accessories

Gasket
TRU97987
Pigtail
TRU94993

Stop / Tail / Turn

LHT

PETERSON

Truck-Lite

Lighting

Mid / Side Turn

Truck-Lite

60 Series Turn & Marker

6.50 in. x 2.25 in. Oval

	Color	Type	Addtl info
TRU60215R	Red	Lamp	PL-3, No Plug
TRU60215Y	Yellow	Lamp	PL-3, No Plug
TRU60015R	Red	Grommet-Kit	Lamp TRU60215R + Grommet TRU60700 + Pigtail TRU94993
TRU60015Y	Yellow	Grommet-Kit	Lamp TRU60215Y + Grommet TRU60700 + Pigtail TRU94993
TRU60216Y	Yellow	Flange-Kit	Lamp TRU60215Y + Gray Flange



Accessories

Grommet
TRU60700

Pigtail
TRU94993

60 Series Side Turn

7.87 in. x 3.31 in. Oval

Type	Color	
Lamp	Yellow	TRU60420Y



Accessories

Pigtail
TRU94789

Male Pin Side Turn Signal

6.48 in. x 2.30 in. Oval

Type	Color	
Lamp	Yellow	TRU69202Y



Accessories

Pigtail
TRU94993

UBLights

Reflective Mid Turn Signal Lamp

6.50 in. x 2.75 in. Oval

Type	Color	
Lamp	Amber	LHTSR2238A



Stop / Tail / Turn

LHT

Trucklite

Oval

Male-Pin Torsion Mount III

6.50 in. x 2.25 in. Oval

Type	Color	
Lamp	Red	GRT52562
Lamp	Yellow	GRT52563



(GRT52562)



(GRT52563)

Accessories

Pigtail
GRT67002

Grote

SuperNova

6.50 in. x 2.25 in. Oval LED

Type	Color	
Lamp	Red	GRT53962
Lamp	Yellow	GRT53963



(GRT53962)



(GRT53963)

Accessories

Pigtail
GRT66815

SuperNova

7.85 in. x 3.60 in. Oval

	Color	Type	Mount
GRT54183	Yellow	Male Pin	Grommet Mount
GRT54203	Yellow	Male Pin	Intergrated Flange
GRT54213	Yellow	Hard Shell	Intergrated Flange
GRT54233	Yellow	Hard Shell	Surface



(GRT54183)



(GRT54203/
GRT54213)



(GRT54233)

Peterson

LumenX S/T/T, AMP

6.50 in. x 2.25 in. Oval LED

	Color	Type	Mount
PETM820R-7	Red	Lamp	Grommet
PETM823R-7	Red	Kit	Flange
PETM823RTL-7	Red	Kit	Narrow Flange



(PETM820R-7)



(PETM823R-7)



(PETM823RTL-7)

Stop / Tail / Turn

LHT

Grote

PETERSON

Lighting

Oval

Phillips

STT Grommet Mount Lamp

6.50 in. Oval LED

Type	Color	
Lamp	Red	PHI51-60312



Pro-Par

S/T/T & F/P/T

6.00 in. Oval LED

	Color	Type	Addtl Info
PROLEDOVL-20R	Red	S/T/T Lamp	PL-3
PROLEDOVL-20A	Amber	F/P/T Lamp	PL-3
PROLEDOVL-20RCL	Red with clear lens	S/T/T Lamp	PL-3
PROLEDOVL-20ACL	Amber with clear lens	F/P/T Lamp	PL-3



(PROLEDOVL-20R)



(PROLEDOVL-20A)



(PROLEDOVL-20RCL)



(PROLEDOVL-20ACL)

Truck-Lite

Signal-Stat, Sealed 24 Diode Pattern

6.49 in. x 2.32 in. Oval LED

Type	Color	
Lamp	Red	TRU6050
Lamp	Yellow	TRU6050A



(TRU6050)



(TRU6050A)

PL-3
No Plug

Economy 60 Sealed

6.50 in. x 2.26 in. Oval

Type	Color	
Lamp	Red	TRU60283R
Lamp	Yellow	TRU60283Y



(TRU60283R)



(TRU60283Y)

PL-3
No Plug

Accessories

Grommet
TRU60700
Pigtail
TRU94933

Definition

Electrical Term

Incandescent:

A glass enclosure containing a tungsten filament. An electric current passes through the filament, heating it to a temperature that produces light.

PHILIPS

Stop / Tail / Turn

LHT

pro-par
OVAL SEaled Diode Pattern

Trucklite

Oval

Truck-Lite

60 Series Sealed

6.50 in. x 2.32 in. Oval LED

	Color	Type	Addtl Info
TRU60250R	Red	Lamp	Fit 'N Forget S.S., No Plug
TRU60290Y	Yellow	Lamp	Fit 'N Forget S.S., No Plug
TRU60252R	Red	Flange-Kit	Gray Flange + TRU60250R Lamp
TRU60052R	Red	Flange-Kit	TRU94706 Pigtail + TRU60252R Lamp
TRU60256R	Red	Flange-Kit	Black Flange + TRU60250R Lamp

Accessories

Grommet
TRU60700
Pigtail
TRU94706



(TRU60250R) (TRU60290Y) (TRU60252R) (TRU60052R) (TRU60256R)

60 Series Auxiliary/Turn

6.50 in. x 2.32 in. Oval LED

	Color	Type	Function	Includes
TRU60275Y	Yellow	Lamp	Auxiliary	Fit 'N Forget S.S., No Plug
TRU60272Y	Yellow	Flange-Kit	Auxiliary	Gray Flange + TRU60275Y Lamp
TRU60282Y	Yellow	Flange-Kit	Sequential	Gray Flange + TRU60280Y Lamp
TRU60072Y	Yellow	Flange-Kit	Auxiliary	TRU94706 Pigtail + TRU60272Y Lamp
TRU60080Y	Yellow	Grommet-Kit	Sequential	TRU94706 Pigtail + TRU60700 Grommet + TRU60280Y Lamp

Accessories

Grommet
TRU60700
Pigtail
TRU94706



(TRU60275Y) (TRU60272Y) (TRU60282Y) (TRU60072Y) (TRU60080Y)

Super 60 Sealed

6.50 in. x 2.25 in. Oval

	Color	Type	Includes
TRU60202R	Red	Lamp	PL-3, No Plug
TRU60202Y	Yellow	Lamp	PL-3, No Plug
TRU60002R	Red	Grommet-Kit	Lamp TRU60202R + Grommet TRU60700 + Pigtail TRU94993
TRU60002Y	Yellow	Grommet-Kit	Lamp TRU60202Y + Grommet TRU60700 + Pigtail TRU94993



(TRU60202R) (TRU60202Y) (TRU60002R) (TRU60002Y)

Stop / Tail / Turn

LHT

Lighting

Oval

Truck-Lite

Super 66 Sealed, 1 Diode Pattern

6.50 in. x 2.24 in. Oval LED

Includes	Type	Color	
Gray Flange + TRU66250R Lamp	Flange-Kit	Red	TRU66252R



PL-3
No Plug

Accessories

Pigtail
TRU94706

Super 60 Sealed, 11 Diode Pattern

6.50 in. x 2.32 in. Oval LED

Includes	Type	Color	
Lamp + Yellow Flange	Lamp	Yellow	TRU60315Y
Flange-Kit	Flange-Kit	Yellow	TRU60317Y



(TRU60315Y)

(TRU60317Y)

Fit 'N Forget
S.S.
No Plug

Accessories

Pigtail
TRU94706

Super 60 Sealed, 18 Diode Pattern

7.87 in. x 3.30 in. Oval LED

Includes	Type	Color	
Black Flange	Flange-Kit	Red	TRU60356R



PL-3
No Plug

Stop / Tail / Turn

LHT

Rectangular

Truck-Lite

Super 45 Sealed S/T/T & F/P/T

5.31 in. x 3.43 in. Rectangle

Type	Color	
Lamp	Red	TRU45202R
Lamp	Yellow	TRU45202Y



(TRU45202R)



(TRU45202Y)

PL-3
No Plug

Signal-Stat, 24 Diode Pattern

5.30 in. x 3.40 in. Rectangle

Type	Color	
Lamp	Red	TRU4550
Lamp	Yellow	TRU4550A



(TRU4550)



(TRU4550A)

PL-3
No Plug

Trucklite

4 in. Round

Grote

Torsion Mount II Male-Pin

4.31 in. Round

Type	Color	
Lamp	Red	GRT53102
Lamp	Yellow	GRT53103



(GRT53102) (GRT53103)

Accessories

Pigtail
GRT67002

Torsion Mount II

4.31 in. Round

Type	Color	
Lamp	Red	GRT52772
Lamp	Yellow	GRT52773



(GRT52772) (GRT52773)

Accessories

Grommet
GRT91740
Pigtail
GRT67000

SuperNova®

4.31 in. Round LED

	Color	Type	Addtl Info
GRT53252	Red	Lamp	STT 3-Wire
GRT53253	Yellow	Lamp	STT 3-Wire
GRT53292	Red	Flange-Kit	GRT53252 Lamp + Black Theft-Resistant Flange
GRT53293	Yellow	Flange-Kit	GRT53253 Lamp + Black Theft-Resistant Flange
GRT53272	Red	Flange-Kit	GRT53252 Lamp + Gray Theft-Resistant Flange
GRT53302	Red	Flange-Kit	TRU30250Y Lamp + Stainless Steel Theft-Resistant Flange
GRT53552	Red	Hard Shell Lamp	



(GRT53292)

(GRT53293)

(GRT53272)

(GRT53302)

Accessories

Grommet
GRT91740
Pigtail
GRT66815

Hi Count® 24 Diode

4.32 in. Round LED

Type	Color	
Lamp	Red	GRT4002



STT 3-Wire

SuperNova® Full-Pattern

4.32 in. Round LED

Type	Color	
Lamp	Red	GRT53312



STT 3-Wire

Stop / Tail / Turn

LHT

Grote

Lighting

4 in. Round

Grote

SuperNova® NexGen™ S/T/T

4.313 in. Round

	Color	Type	Mount
GRT54332	Red	Lamp	Grommet
GRT54362	Red	Hard Shell Lamp	Grommet
GRT54492	Red	Lamp	Stainless Steel Flange



(GRT54332)



(GRT54362)



(GRT54492)

Peterson

Turn Signal Light

4.25 in. Round

Type	Color	
Lamp	Amber	PETM426A



LumenX® S/T/T, AMP

4.25 in. Round LED

Mount	Color	
Grommet	Red	PETM817R-7
Flange	Red	PETM818R-7



(PETM817R-7)



(PETM818R-7)

Peterson

Single Diode

4.25 in. Round LED

Mount	Color	
Flange	Red	PETM824R



PL-3
Integrated

Phillips

S/T/T Red Flange

4.00 in. Round LED

Type	Color	
Lamp	Red	PHI51-40102



Grote

Stop / Tail / Turn

LHT

PETERSON

PHILIPS

4 in. Round

Pro-Par

4.00 in. Round LED

	Color	Type	Addtl Info
PROLED40-18R	Red	Lamp	PL-3
PROLED40-18A	Amber	Lamp	PL-3
PROLED40-18RCL	Red with clear lens	Lamp	PL-3
PROLED40-18ACL	Amber with clear lens	Lamp	PL-3



(PROLED40-18R)



(PROLED40-18A)



(PROLED40-18RCL)



(PROLED40-18ACL)

Optronics

ST47 Series, Flange Mount

4.25 in. Round

Mount	Color	
Gray Flange	Red	OPTST47RB
Orange Flange	Red	OPTST47ROB



(OPTST47RB)



(OPTST47ROB)

PL-3

STL101 Series GloLight®

4.313 in. Round LED

Type	Color	
Lamp	Red	OPTSTL101RBP



PL-3

STL13 Series FLEET Count™

4.31 in. Round LED

	Color	Type	Includes
OPTSTL13RFB	Red	Flange-Kit	PL-3
OPTSTL13RFMB	Red	Flange-Kit	Weathertight
OPTSTL13RFMTB	Red	Flange-Kit	



(OPTSTL13RFB)



(OPTSTL13RFMB)



(OPTSTL13RFMTB)

Stop / Tail / Turn

LHT



See Electrical Section

Harnesses

Lighting

4 in. Round

Optronics

STL42 Series Sealed

5.50 in. Round LED

Flange	Color	
Black	Red	OPTSTL42RB



PL-3

Truck-Lite

S/T/T & F/P/T 24 Diode

4.31 in. Round LED

Type	Color	
Lamp	Red	TRU4050
Lamp	Yellow	TRU4050A



(TRU4050)



(TRU4050A)

PL-3
No Plug

Super 44 Series Security Flange

5.43 in. Round LED

Type	Color	
Lamp	Red	TRU44334R



Fit 'N Forget
S.S.
No Plug

Stop / Tail / Turn

LHT

Optronics

Truck-Lite

Economy 40 Sealed S/T/T & F/P/T

4.30 in. Round

	Color	Type	Addtl Info
TRU40282R	Red	Lamp	PL-3, No Plug
TRU40282Y	Yellow	Lamp	PL-3, No Plug
TRU40028R	Red	Grommet-Kit	TRU94993 Pigtail + TRU40700 Grommet + TRU40282R Lamp
TRU40028Y	Yellow	Grommet-Kit	TRU94993 Pigtail + TRU40700 Grommet + TRU40282Y Lamp
TRU40229R	Red	Flange-Kit	Gray Flange + TRU40282R Lamp
TRU40229R-UB	Red	Flange-Kit	Gray Flange + TRU40282R Lamp Unbagged: Packaging



(TRU40282R)



(TRU40282Y)



(TRU40028R)



(TRU40028Y)



(TRU40229R/
TRU40229R-UB)

Accessories

Grommet
TRU40700

Pigtail
TRU94993

4 in. Round

Truck-Lite

Super 40 Sealed S/T/T & F/P/T

4.31 in. Round

	Color	Type	Addtl Info
TRU40242R	Red	Lamp	PL-3, No Plug
TRU40242Y	Yellow	Lamp	PL-3, No Plug
TRU40248R	Red	Reflective Lamp	PL-3, No Plug
TRU40042R	Red	Grommet-Kit	Lamp TRU40242R + Grommet TRU40700 + Pigtail TRU94993



(TRU40242R)



(TRU40242Y)



(TRU40248R)



(TRU40042R)

Accessories

Grommet
TRU40700

Pigtail
TRU94993

40 Series Sealed S/T/T & F/P/T

4.31 in. Round

	Color	Type	Addtl Info
TRU40202R	Red	Lamp	PL-3, No Plug
TRU40202Y	Yellow	Lamp	PL-3, No Plug
TRU40002R	Red	Grommet-Kit	TRU94993 Pigtail + TRU40700 Grommet + TRU40202R Lamp
TRU40002Y	Yellow	Grommet-Kit	TRU94993 Pigtail + TRU40700 Grommet + TRU40202Y Lamp
TRU40215R	Red	Reflective Lamp	PL-3, No Plug
TRU40222R	Red	Flange-Kit	Gray Flange + TRU40215R Lamp



(TRU40202R)



(TRU40215R)



(TRU40202Y)



(TRU40002R)



(TRU40222R)



(TRU40002Y)

Accessories

Grommet
TRU40700

Pigtail
TRU94993

Quick Reference

Common Wire Gauge Sizes

Trailer	Length	Stop (red)	Ground (white)
Single	50'	12 ga.	10 ga.
Doubles	2-28'	12 ga.	10 ga.

Trailer	Length	Stop (red)	Ground (white)
Doubles	2-40'	10 ga.	8 ga.
Triples	3-28'	10 ga.	8 ga.

Lighting

4 in. Round

Truck-Lite

Super 44, 6 Diode Pattern

4.35 in. Round LED

	Color	Type	Addtl Info
TRU44302R	Red	Lamp	Fit 'N Forget S.S., No Plug
TRU44322R	Red	Flange-Kit	Gray Flange + TRU44302R Lamp
TRU44326R	Red	Flange-Kit	Black Flange + TRU44302R Lamp
TRU44032R	Red	Flange-Kit	Gray Flange + TRU44302R Lamp
TRU44036R	Red	Flange-Kit	TRU94706 Adapter + Black Flange + TRU44302R Lamp
TRU44030R	Red	Grommet-Kit	TRU94706 Adapter + TRU40700 Grommet + TRU44302R Lamp
TRU44365R	Red	Flange-Kit	TRU94706 Adapter + Gray Flange + TRU44302R Lamp



Accessories

Grommet
TRU40700

Stop / Tail / Turn

Male Pin 40 Sealed

4.31 in. Round

TRU49202R



Color
Red

Type
Lamp

Accessories

Grommet
TRU40700
Pigtail
TRU96107

Super 44 Rear Turn, 42 Diode Pattern

4.35 in. Round LED

Addtl Info	Type	Color	
Fit 'N Forget S.S., No Plug	Lamp	Yellow	TRU44201Y
Lamp TRU44201Y + Gray Flange	Flange-Kit	Yellow	TRU44221Y



Super 44 S/T/T, 42 Diode Pattern

4.35 in. Round LED

	Color	Type	Addtl Info
TRU44202R	Red	Lamp	Fit 'N Forget S.S., No Plug
TRU44222R	Red	Flange-Kit	Lamp TRU44202R + Gray Flange
TRU44022R	Red	Flange-Kit	Lamp TRU44202R + TRU94706 Adapter + Gray Flange



LHT

TruckLite

S/T/T Light

570

800.621.7949

= Key Items

www.AuroraParts.com

4 in. Round

Truck-Lite

LED Tail Light

Type	Color	
Lamp	Red	TRU44331R



Lamp S/T/T LED Hard-Wired

Type	Color	
Lamp	Red	TRU44373R



STT Lamp, 7 Diode LED

Type	Color	
Lamp	Red	TRU44337R



STT Lamp LED

Type	Color	
Lamp	Red	TRU44382R



UBLights

Shock Mounted Sealed

4.25 in. Round

	Color	Type	Addtl Info
LHTSI4000R	Red	Lamp	PL-3
LHTSI4000A	Yellow	Lamp	PL-3
LHTSI4000R-2	Red	Flange-Kit	Gray Flange + Lamp LHTSI4000R



(LHTSI4000R)



(LHTSI4000A)



(LHTSI4000R-2)

Accessories

- Grommet LHTGR4000
- Pigtail LHTPT9530

Definition

Electric Term

Volt:

Unit of measurement applied to the difference in electrical potential between two points; that is, the potential for electricity to flow.

Stop / Tail / Turn

LHT

Truck-Lite

Lighting

4 in. - 5 in. Round

UBLights

S/T/T, 1 Diode

Type	Color	
Lamp	Red	LHTLEDF4000-1R2



Truck-Lite

80 Series S/T/T Replaceable

5.38 in. Round

Includes	Type	Color	
Black Housing + Lamp	Housing-Kit	Red	TRU80334R



Hardwired
Blunt Cut

Accessories

Lens
TRU99008R
Gasket
TRU97093

Stop / Tail / Turn

LHT

Trucklite

Application Chart

Wire Gauge

Amperage Required	System		Total Footage of Wire from Power Source to the Most Distant Electric Lamp									
	24v	12v	10'	20'	30'	40'	50'	60'	70'	80'	90'	100'
	2.0	1.0	18	18	18	18	18	18	18	18	18	18
3.0	1.5	18	18	18	18	18	18	18	18	18	18	18
4.0	2.0	18	18	18	18	18	18	18	18	16	16	16
6.0	3.0	18	18	18	18	18	18	16	16	16	14	14
8.0	4.0	18	18	18	16	16	16	16	14	14	14	12
10.0	5.0	18	18	18	16	14	14	14	14	12	12	12
12.0	6.0	18	18	16	16	14	14	14	12	12	12	12
14.0	7.0	18	18	16	14	14	12	12	12	12	10	10
16.0	8.0	18	18	16	14	12	12	12	12	10	10	10
20.0	10.0	18	16	14	12	12	12	10	10	10	10	10
22.0	11.0	18	16	14	12	12	10	10	10	10	10	8
24.0	12.0	18	16	14	12	12	10	10	10	10	8	8
30.0	15.0	18	16	12	12	10	10	10	10	8	8	8
36.0	18.0	16	14	12	10	10	8	8	8	8	8	8
40.0	20.0	16	14	12	10	10	8	8	8	8	8	6

Suitable Wiring:

Wire gauge is important, as the use of a wire gauged too small can lead to dim or intermittent operation, excessive voltage drop and present a potential fire hazard.

Copper vs Aluminum Wiring:

Copper wire has a higher current carrying capability than an aluminum wire of the same size. Copper wire is also more flexible and less likely to break.

Strobe

**Grote
Strobe Light**

4.32 in. Round LED

Type	Color	
Lamp	Yellow	GRT77353



STT 3-Wire

**Ms. Carita
FoxFire Next Generation**

LED

Type	Color	
Lamp	Red	MCAMSF263M-RED



**Truck-Lite
Low Profile Strobe Light**

4.25 in. x 4.25 in.

Mounting	Type	Color	
Permanent	Lamp	Yellow	TRU92534Y
Magnetic	Kit	Yellow	TRU92539Y



(TRU92534Y)



(TRU92539Y)

Accessories

Lens
TRU99147Y

Utility

Par 36 Rubber Tractor

5 in. Round

Includes	Type	Color	
Hardware	Kit	Clear	GRT01-6493-A7



**Grote
Interior Lamp**

2.625 in. x 1.25 in. Rectangular

Type	Color	
Lamp	Clear	GRT60271



Strobe / Utility

LHT

Grote

Truck-Lite

Lighting

Utility

Peterson

Great White® Auxiliary Lamp 1.07 in. Round

Type	Color	Part Number
Lamp	Clear	PETM171C



Great White® License Lamp 2.53 in. x 1.17 in. Rectangle LED

Type	Color	Part Number
Lamp	Clear	PETM294



Phillips

Permalite™ XB 18.28 in. x 5.74 in. Rectangle LED

Type	Color	Part Number
Lamp	Clear	PHI51-22111



Pro-Par

Back-Up Lamp 4 in. Round LED

Type	Color	Part Number
Lamp	Clear	PROLED44-10C



Back-Up Lamp 6 in. Oval LED

Type	Color	Part Number
Lamp	Clear	PROLEDOVL-10C



PETERSON

Strobe / Utility

LHT

PHILIPS

pro-par
LED LIGHTS

Utility

10 Series Utility
2.54 in. Round

Type	Color	
Lamp	Clear	TRU10202C



PL-10
No Plug

Truck-Lite
15 Series Utility Sealed
2.49 in. x 1.20 in. Rectangle

Type	Color	
Lamp	Clear	TRU15200C



PL-10
No Plug

19 Series Utility Sealed
3.78 in. x 1.23 in. Rectangle

Type	Color	
Lamp	Clear	TRU19200C



19 Series Male
Pin
No Plug

40 Series Dome Sealed
4 in. Round

Includes	Type	Color	
-	Lamp	Clear	TRU40203
Lamp & Flange	Lamp	Clear	TRU40223



(TRU40203)



(TRU40223)

PL-2
No Plug

40 Series Back-Up Sealed
4.31 in. Round LED

Type	Color	
Lamp	Clear	TRU40204



PL-2
No Plug

Super 40 Back-Up Sealed
4.31 in. Round

Type	Color	
Lamp	Clear	TRU40244



PL-2
No Plug

Definition

Electric Term

Wire Size:

Conductors that carry the electricity to lighting are measured according to the American Wire Gauge. Too small diameter a wire oppose current flow.

Strobe / Utility

LHT

Truckline

Lighting

Utility

Truck-Lite

Back-Up LED

4.25 in. Round LED

Type	Color	
Lamp	Clear	TRU4060C



PL-2
No Plug

Accessories

Grommet
TRU40700
Pigtail
TRU94992

Super 44 Back-Up

4.00 in. Round LED

Type	Color	
Lamp	Clear	TRU44350C



Fit 'N Forget
S.S.
No Plug

Accessories

Grommet
TRU40700

Super 60 Back-Up Sealed

6.38 in. x 2.25 in. Oval

Includes	Type	Color	
-	Lamp	Clear	TRU60204
Lamp TRU60204 + Grommet TRU60700 + Pigtail TRU94992	Kit	Clear	TRU60004



(TRU60204)



(TRU60004)

PL-2
No Plug

80 Series Interior

18.19 in. x 5.75 in. Rectangle LED

Type	Color	
Lamp	Clear	TRU80251C



Hardwired
Stripped End

Accessories

Lense
TRU99245C

Signal-Stat Work Light

4.00 in. x 3.75 in. Rectangle LED

Type	Color	
Lamp	Clear	TRU8160



80 Series Dome Light

5.28 in. Round

Type	Color	
Lamp	Clear	TRU80423C



Definition

Electric Term

Watt:

Unit of power applied to the rate at which energy is used. Power is the amount of work that can be accomplished in a specified amount of time.

Utility

Truck-Lite

80 Series Dome

6.40 in. Round

	Color	Housing	Type	Addtl Info
TRU80351	Clear	Chrome	Lamp	Hardwired, Blunt Cut
TRU80353	Clear	Silver Coating	Lamp	Hardwired, Blunt Cut
TRU80350	Clear	Chrome	Lamp with Switch	Hardwired, Stripped End



(TRU80351)



(TRU80353)



(TRU80350)

Accessories

Clear Lens
TRU99080C

Clear Lens For Switch
TRU99082C

Work Lamp - Par 36 Rubber

4.75 in. Round

Type	Color	
Lamp	Clear	TRU80360
Lamp with Lens Shield	Clear	TRU80361



(TRU80360)



(TRU80361)

Accessories

Lens Shield
Blue TRU99120B
Red TRU99120R

81 Series Work Light

4.00 in. Round LED

Type	Color	
Lamp	Clear	TRU81360



Hardwired
Stripped End

UBLights

Utility/Dome Sealed

4 in. x 1 in. Rectangle

Type	Color	
Lamp	Clear	LHTS11040C



Accessories

Bracket
LHTBM1040B

Utility/Dome Sealed

2 in. x 1 in. Rectangle

Type	Color	
Lamp	Clear	LHTS11225C



Accessories

Pigtail
LHTPT6020

See Safety & Security

Conspicuity Tape

Lighting

Brackets

Fruehauf

Light Boxes

26.00 in. x 10.13 in. Rectangle

Hole Diameter	Material	Location	
4-1/2 in.	Aluminum	Roadside	FRUTKG0053-SP1
4-1/2 in.	Aluminum	Curbside	FRUTKG0053-SP2



(FRUTKG0053-SP1)



(FRUTKG0053-SP2)

Light Boxes

26.00 in. x 10.13 in. Rectangle

Hole Diameter	Material	Location	
4-3/4 in.	Aluminum	Roadside	FRUTKG0053-1
4-3/4 in.	Aluminum	Curbside	FRUTKG0053-2



(FRUTKG0053-1)



(FRUTKG0053-2)

Grote

Surface Mount

4.00 in. Rectangle

Material	Color	
Polycarbonate	Gray	GRT42110



Application: MicroNova® & MicroNova® Dot

Corner Radius Bracket

6.19 in. x 2.13 in. Rectangle

Radius	Color	
4-3/8 in.	Gray	GRT43050



Application: PC Rated Lamps

90° Angle Bracket

8.25 in. x 4.063 in. Rectangle

Material	Color	
Steel	Black	GRT43362



Application: Oval Lamps

Twist-In Surface-Mount

5.63 in. x 2.13 in. Rectangle

Color	
Gray	GRT43690



Application: 2 in. & 2-1/2 in. Lamps

Accessories

LHT

FRUEHAUF

Grote

Brackets

Corner Radius Bracket - Twist-In 5-7/8 in. x 2-3/16 in. Rectangle

Radius	Color	
4-5/8 in.	Gray	GRT43760



Application: 2 & 2-1/2 in. Round Lamps
Fits 4-5/8 in. Corner Radius

Low Profile Mounting Bracket 4.125 in. x 1.063 in. Rectangle

Material	Color	
Polycarbonate	Gray	GRT43850



Application: combination clearance/marker lamp when mounted on a 45° angle

Corner Cap Light Base Rectangle

Color	
Gray	GRT01-4224-71



Grote

Mounting Bracket

4.06 in. x 1.06 in. Rectangle

Includes	Type	Color	
- Bracket		Gray	GRT43780
+ Pigtail Bracket GRT66981	Kit	Gray	GRT43390



(GRT43780)



(GRT43390)

Application: 4 in. Rectangular Lamps

Peterson

Surface-Mount Bracket

4.375 in. x 1.375 in. Rectangle

Color	
White	PETB150-091



Application: 150 Series Lamps

Branch Deflector

3.90 in. x 1.30 in. Rectangle

Mount	Color	
Flat	Gray	PETB176-10
Curved	Gray	PETB176-13



(PETB176-10)



(PETB176-13)

Requires B177-186 Grommet to Mount Light
Application: 171, 176 & 177 Series LED Lamps

Accessories

LHT

Grote

PETERSON

Lighting

Brackets

Peterson

License/Utility Light Bracket

3.43 in. x 2.72 in. Rectangle

Color Gray **PETB150-14**



Application: 150 Series Lamp Clamps In

Cam-On, Surface Mount

4.06 in. x 2.06 in. Rectangle

Color Gray **PETB165-10**



Application: Allows 2 & 2-1/2 in. Marker Lamps to be Surface Mounted

Plug Retention Clip

Material Stainless Steel **PETB162-093**



Application: 189 & 190 Clearance Side Markers

PSI Lamp Bracket

Rectangle

Mount Curved Color **PETB186-13**



Application: PSI Lamp

Phillips

Curved Bracket

Rectangle

Mount Curved Color Gray **PHI51-34000**



Application: 3/4 Lamp

Recessed Light Bracket

Color Black **PHI51-60920**



Size: 6-1/2 in.

Definition

Lighting Term

Cab Marker:

A lamp similar in function to the marker clearance lamp, however these are always mounted on the roof of the truck or tracker cab.

Accessories

LHT

PETERSON

PHILIPS

Brackets

Truck-Lite Mounting Bracket

3.38 in. x 2.52 in. Rectangle

Color
Gray **TRU15729**



Application: 15 Series License Lamps

Cam-On For 2.00 in.

3.90 in. x 2.15 in. Rectangle

Includes	Type	Color	
-	Bracket	Clear	TRU00801
Pigtail TRU94902 + Bracket TRU00801	Kit	Clear	TRU30403



(TRU00801)



(TRU30403)

Application: 2 in. Lamps

Curved Bracket

5.86 in. x 3.16 in. Rectangle

Hole to Hole
4-5/8 in. Color
Gray **TRU10738**



Allows Lamp to be Surface Mounted in a Grommet
Application: 2-1/2 in. Lamps

Cam-On Mount for 2 & 2-1/2 in. Lamps

4 in. x 2.20 in. Rectangle

	Color	Type	Includes
TRU10728	Gray	Bracket	-
TRU10727	Clear	8-1/2 in. Radius Bracket	-
TRU10721	Clear	Bracket w/o Rib	-
TRU10724	Gray	Bracket w/o Rib	-
TRU10410	Gray	Kit	Bracket TRU10728 + Pigtail TRU90424



(TRU10728)



(TRU10727)



(TRU10721)



(TRU10724)



(TRU10410)

Accessories

LHT

Lighting

Brackets

Truck-Lite

Branch Deflector Mount - High Impact

5.75 in. x 3.12 in. Rectangle

Includes	Type	Color	
-	Bracket	Gray	TRU10725
Bracket TRU10725 + Grommet TRU10700 + Pigtail TRU94902	Kit	Gray	TRU10414



Allows Lamp to be Surface Mounted
Application: 2-1/2 in. Lamps

Deflector Mount - High Impact

5.38 in. x 2.75 in. Rectangle

Includes	Type	Color	
-	Bracket	Gray	TRU30721
Bracket TRU30721 + Grommet TRU30700 + Pigtail TRU94902	Kit	Gray	TRU30404



Allows Lamp to be Surface Mounted
Application: 2 in. Lamps

Deflector Mount - High Impact

4.80 in. x 2.34 in. Rectangle

Includes	Type	Color	
-	Bracket	Gray	TRU30722
Bracket TRU30722 + Grommet TRU30701 + Pigtail TRU94902	Kit	Gray	TRU30405



Allows Lamp to be Surface Mounted
Application: 2 in. Lamps

Adapter Mount for Model 15 Lamps

2.90 in. x 1.50 in. Rectangle

Type	Color	
Kit	Gray	TRU15404



Includes: Bracket TRU00790 +
Pigtail TRU94906

Adapter Mount

2.90 in. x 1.50 in. Rectangle

Includes	Type	Color	
-	Bracket	Gray	TRU15406
Bracket TRU00793 + Grommet TRU97705 + Pigtail TRU96904	Kit	Chrome	TRU15407



Application: Model 15 Lamps

Deflector Mount - High Impact

4.50 in. x 1.19 in. Rectangle

Includes	Type	Color	
-	Bracket	Gray	TRU15720
Bracket TRU15720 + Pigtail TRU96904	Kit	Gray	TRU15401



Snap-On
Application: Model 15 Lamps

Definition

Electric Term

Pigtail:

Relatively short connection cable that connects light and harness. Usually a 1, 2, 3, or 4 wire design with termination designed to mate with a socket or pin connection area on the lamp.

Accessories

LHT

Trucklite

Brackets

Truck-Lite

Rail Mount for Model 15 Lamps

4.37 in. x 1.37 in. Rectangle

	Color	Type	Includes
TRU15727	White	Cut Mount Bracket	-
TRU15728	White	Bracket	-
TRU15412	White	Cut Mount-Kit	Bracket TRU15727 + Pigtail TRU94924
TRU15414	White	Kit	Bracket TRU15728 + Pigtail TRU94924



(TRU15727)



(TRU15728)



(TRU15412)



(TRU15414)

Low Profile Base Mount for Model 19 Lamps

4.10 in. x 1.07 in. Rectangle

	Color	Radius	Type	Includes
TRU19720	Gray	-	Bracket	-
TRU19728	Black	-	Bracket	-
TRU19722	Gray	9.00 in.	Bracket	-
TRU19737	Gray	-	Bracket	For Chrysler #5600370415
TRU19738	Gray	6-1/4 in.	Bracket	-
TRU19721	Gray	-	Kit	Bracket & Hot Wire
TRU19739	Chrome	-	Kit	Bracket & Hot Wire



(TRU19720)



(TRU19728)



(TRU19722)



(TRU19737)



(TRU19738)



(TRU19721)



(TRU19739)

Low Profile Curved Bracket

4.10 in. x 1.12 in. Rectangle

Radius	Color	
4.68 in.	Gray	TRU19750



Application: Model 19 Lamps

Armored Mount

4.252 in. x 1.68 in. Rectangle

Material	
Aluminum	TRU35720



Application: Model 35 LED Lamps

Accessories

LHT

TruckLite

Lighting

Brackets

Truck-Lite

33 Series Branch Deflectors - High Impact

	Color	Width	Height	Mount
TRU33710	White	4-7/64 in.	1-21/64 in.	Flat
TRU33711	White	4.00 in.	1-1/2 in.	Flat
TRU33712	Gray	4-7/64 in.	1-21/64 in.	Flat
TRU33715	Gray	4-7/32 in.	1-59/64 in.	Curved



(TRU33710)



(TRU33711)



(TRU33712)



(TRU33715)

Steel Mounting Bracket

4 in. x 4.81 in. Rectangle

Hole Diameter	Color	
2-25/32 in.	Black	TRU10729



Application: 2-1/2 in. Lamps

Accessories

Grommet
TRU10700

Steel Mounting Bracket

4 in. x 4.81 in. Rectangle

Color	
Black	TRU30728



Application: 2 in. Lamps

Steel Mounting Bracket

6 in. x 6.96 in. Rectangle

Flange	Color	
No	Black	TRU40719
Yes	Black	TRU40720



(TRU40719)



(TRU40720)

Application: 4 in. Lamps

Steel Mounting Bracket

12.06 in. x 6.21 in. Rectangle

Color	
Black	TRU40715



Application: 4 in. Lamps

Definition

Electrical Term

Polycarbonate:

Any of a family of thermoplastics characterized by high-impact strength, light weight, and flexibility, and as a shatter-resistant substitute for glass.

Brackets

Truck-Lite

Mounting Brackets for 60 Series Lamps

	Color	Material	Flange Mount
TRU60720	Black	Steel	Yes
TRU60722	Black	Steel	No
TRU60723	Aluminum	Aluminum	Yes
TRU60724	Aluminum	Aluminum	No



(TRU60720)



(TRU60722)



(TRU60723)



(TRU60724)

"Z" Steel Mounting Bracket

8.25 in. x 5.75 in. Rectangle

Notch Flange	Material	Color	
No	Steel	Gray	TRU60728
Yes	Steel	Gray	TRU60733



(TRU60733)



(TRU60728)

Application: 60 Series Lamps

License Plate Bracket

12 in. x 4.80 in. Rectangle

Color	
Black	TRU42722



Application: Model 15 License Lamps

UBLights

Base Mount

4 in. x 1 in. Rectangle

Color	
Gray	LHTBM1040B



Application: 4 in. Lamps

Replacement Housing

3.44 in. x 2.25 in. Rectangle

Type	Color	
License Housing	Gray	LHTL2000



Application: License Lamps

Accessories

LHT

Truck-Lite

Lighting

Brackets

Wabash

Light Bracket

5-1/8 in. x 8-1/2 in. Rectangle

Color
Gray **WAB14A00001**



Model 30 Light Bracket

6-9/16 in. x 2-3/4 in. Rectangle

Color
Gray **WAB14A00002**



Application: Model 30 Lamps

Model 60 Mid Turn

8-1/2 in. x 4-1/2 in. Rectangle

Color
Gray **WAB14A00008**



Application: Model 60 Lamps

Model 30, Straight Bracket

3-3/8 in. x 4-5/8 in. Rectangle

Material
Aluminum **WAB14A00054**



Application: Model 30 Lamps

Mid Turn Brackets

19 in. x 7-5/8 in. Rectangle

Location	Material	Part Number
Roadside	Aluminum	WAB14A00092
Curbside	Aluminum	WAB14A00093



(WAB14A00092)



(WAB14A00093)

ABS Lamp Bracket

3-3/8 in. x 4-5/8 in. Rectangle

Material
Aluminum **WAB14A00097**



Definition

Electrical Term

Incandescent:

A glass enclosure containing a tungsten filament. An electric current passes through the filament, heating it to a temperature that produces light.

Accessories

LHT



Brackets

Wabash

Light Bracket

8-1/2 in. x 4-7/8 in. Rectangle

Material
Aluminum **WAB14A00099**



Application: 60 Series LED Lamps

License Plate Bracket

15 in. x 7 in. Rectangle

Material
Steel **WAB14S00238**



Light Box End Cap

6-1/2 in. x 3-1/2 in. Rectangle

Color
Gray **WAB14S00004**



Light Box

	Color	Material
BKT-UN01	White	Steel

Light Bracket

4 in. x 5-3/8 in. Rectangle

Material
Aluminum **WAB14A00347**



Application: 2 in. Lamps

2 Lamp Light Box

22.88 in. x 6.38 in. Rectangle

Material
Steel **WAB14S00257**



Turn Signal Bracket

Color
Metal **WAB24500006**



Accessories

LHT



Lighting

Bulbs

Headlight

	Count	Lamp Number	Base	Watts	Diameter	Length
SYL9004	1	9004	P29t	65/45	1-21/64 in.	2-7/16 in.
SYL9005	1	9005	P20d	65	1/2 in.	2-11/64 in.
SYL9005XS	6	9005	P20d	65	1/2 in.	2-11/64 in.
SYL9006	1	9006	P22d	55	1/2 in.	2-11/64 in.
SYL9006XS	6	9006	P22d	55	1/2 in.	2-11/64 in.
SYL9007	1	9007	PX29t	65/55	1-21/64 in.	2-27/64 in.
SYLH11	1	H11	PGJ19-2	55		
SYL3817	1	H11 LL	PGJ19-2	55		
SYL33145	1	H11 LL	PGJ19-2	55		



(SYL9004)



(SYL9005XS)



(SYL9006/
SYL9006XS)



(SYL9007)

Economy

LHT9004

LHT9006

LHT9007

Sealed

4.50 in. Round

	Count	Lamp Number	Base	Lense/Bulb	Watts	Length
SYL4411	1	4411	Screw Terminal	Trapezoidal	35	2-3/4 in.
SYL4509	1	4509	Screw Terminal	Round PAR-36	100	2-3/4 in.
SYLH6024	1	H6024	3 Contact Lugs	Round PAR-56	65/35	5.00 in.



(SYL4411)



(SYL4509)



(SYLH6024)

Economy

LHT4411

Accessories

LHT

SYLVANIA

Trucklite

Sealed

Rectangle

	Count	Lamp Number	Base	Watts	Length
SYLH4651	1	H4651	2 Contact Lugs	50	4-51/64 in.
SYLH4656	1	H4656	3 Contact Lugs	35	4-51/64 in.
SYLH6054	1	H6054	3 Contact Lugs	65/35	5-7/16 in.
TRU27450C	1		H4 Connector		4-5/8 in.



(SYLH4651)



(SYLH4656)



(SYLH6054)

Economy

LHTH4651

LHTH4656

LHTH6054

UPGRADE TO PETERSON'S LED HEADLIGHT AND MAX OUT YOUR MACK.



701C LED 7" PAR 56 Round Headlight

Fits Class 7 & 8 Vocational Trucks

Move up to LED brilliance and full DOT compliance with our Great White® LED 7" headlight upgrade. It's the perfect way to replace the standard incandescent sealed beams on your Mack, Navistar, AutoCar, and more.

You get a UV- and impact-resistant polycarbonate lens bonded to rugged aluminum housing. A 9-32 volt operating range, low power consumption, separate high/low beam functions, standard H4 electrical connection, and more — all with famous Great White® LED performance that's proudly made in the USA to exceed FMVSS/CMVSS 108 requirements.

Your Peterson rep will be glad to tell you more.



Scan this QR code to view info online!



PETERSON
VEHICLE SAFETY LIGHTING

www.pmlights.com

Lighting

Bulbs

Signal

	Count	Lamp Number	Base	Watts	Diameter	Length
SYL37	10	37	W2.1x4.9d	1.26	15/64 in.	51/64 in.
SYL53	10	53	Mini Bayonet	1.70	7/16 in.	15/16 in.
SYL67	10	67	S.C. Bayonet	8	3/4 in.	1-4/16 in.
SYL89	10	89	S.C. Bayonet	7.50	3/4 in.	1-7/16 in.
SYL97	10	97	S.C. Bayonet	9.30	3/4 in.	1-7/16 in.
SYL194	10	194	W2.1x9.2d	3.80	13/32 in.	1-3/64 in.
SYL906	10	906	W2.1x9.2d	8.97		
SYL1156	10	1156	S.C. Bayonet	26.90	1.00 in.	2.00 in.
SYL1157	10	1157	D.C. Index	27/8.3	1.00 in.	2.00 in.
SYL1157A	10	1157 (Amber)	D.C. Index	27/8.3	1.00 in.	2.00 in.
SYL1889	10	1889	Mini Bayonet	3.80	13/32 in.	1-13/64 in.
SYL1893	10	1893	Mini Bayonet	4.62	13/32 in.	1-3/16 in.
SYL3157	10	3157	Wedge (2)	2.1/8.3	1.00 in.	2-7/64 in.
SYL3157A	10	3157 (Amber)	Wedge (2)	2.1/8.3	1.00 in.	2-7/64 in.
SYL4157NALL-BP	10	3157 LL (Amber)	Wedge (2)	2.1/8.3	1.00 in.	2-7/64 in.
SYL31817	10	S8	D.C. Bayonet		1.04 in.	2.00 in.
SYL36183	10	3157 LL	Wedge (2)	26.88	1.10 in.	2.20 in.
SYL38141	10					

Economy

LHT53
LHT67
LHT89
LHT97
LHT194

LHT1156
LHT1157
LHT1157NA
LHT1889
LHT1893
LHT3157
LHT3157NA

Accessories

LHT

SYLVANIA



(SYL37)



(SYL67)



(SYL89)



(SYL97)



(SYL194)



(SYL1156)



(SYL1157)



(SYL1889)



(SYL1893)



(SYL3157)

Product Information

Sylvania Long Life Bulbs

Sylvania Long Life Miniature bulbs perform twice as long as any standard miniature bulb. Designed for durability, lower maintenance, and greater safety.

Long Life bulbs are listed with the abbreviation LL under lamp number. For a complete list of all available Long Life bulbs visit MyAuroraPlus.com.

Dielectric Grease

NYK-77 Compound

	Size	Type
TRU97944	2.00 oz.	Tube
TRU98013	5.00 oz.	Tube
TRU97940	8.00 oz.	Can
TRU97943	1.00 qt.	Can

Corrosion prevention compound for electrical contacts, switches & junction boxes; for periodic use with all electrical contact not using Fit 'N Forget connections



Truck-Lite

More Information

Lighting Preventative Maintenance

Treat the electrical system as you would the chassis.

Lubricate sockets, pigtailed, battery terminals and connections with NYK-77 "non-conductive" anti-corrosion compound. The purpose of the sealant is to totally encapsulated and protect against corrosion and water.

All lamps will live longer if they run cool.

Dirt on the lens increases the heat, so keep them as clean as possible. Other people can see your rig, and that is one of the purposes of the lighting system - to be seen. Certain lighting products generate heat, care should be taken to avoid contact with flammable materials.

Look for loose, bare or unsupported wire, and fixtures.

Harnesses and wiring should be on the underside of top frame members rather than on the bottom where dirt and road splash collect.

To correct voltage problems, discover the real cause.

Under-voltage often is caused by poor electrical connections. To correct under-voltage, don't just turn up the voltage - find out what caused the under-voltage problem.

Inspect the grommets that house the lamps.

As they age, grommets will eventually deteriorate from sunlight, ozone and harmful chemicals. New grommets restore shock protection, security and improves appearance.

On older trucks, you should never crank the truck when any lights or accessories are on.

Never leave markers and hazard lights on when parked against a dock. Melted lenses are a sure sign that the vehicle has been parked against the dock while the lights were on.

Inspect for improper ground connections.

When lamps are grounded through the lamp housing, make sure there is a clean connection. A fifth wheel ground strap may be used for added protection on the chassis ground system.

Never use a test probe to pierce wire insulation when troubleshooting lighting complaints.

Wicking action takes place, which causes moisture to travel along the wire strands and corrode critical connections. If probing a harness or wire is necessary, make sure the puncture is properly sealed.

Accessories

LHT

Lighting

Flanges / Bezels

Grote

Theft-Resistant Flange 3-1/2 in. Round, Twist-In

Material
Stainless Steel **GRT43163**



Application: 2-1/2 in. Round Lamps

Theft-Resistant Flange 5-9/16 in. Round, Snap-In

Material
Stainless Steel **GRT43253**



Application: 4 in. Round Lamps

Peterson

Retrofit Adaptor Flange Round

Fits	Diameter	Color	
2 in.	3-1/4 in.	Gray	PET176-11
2-1/2 in.	4 in.	Gray	PET176-12



(PET176-11)

(PET176-12)

Truck-Lite

33 Series Flange 1.16 in. Round, Snap-In

Color
Black **TRU33800**



Application: 33 Series Mounts

Truck-Lite

Adapter Ring 6 in. Round

Color
Gray **TRU50831**



Application: Converts 4-3/4 in. Hole to a 4-1/2 in. Hole

M/C Adapter Plate 2.90 in. Round

Color
Gray **TRU30133**



Application: 33 Series Adapter for 30 Series Installations

Grote

Accessories

LHT

PETERSON

TruckLite

Flanges / Bezels

Truck-Lite

Mounting Flange Cover
3.60 in. Round

Color
Stainless Steel **TRU10715**



Application: 2-1/2 in. Mounts

Mounting Grommet Cover
5.83 in. Round

Color
Stainless Steel **TRU44705**



Application: 4 in. Mounts

Flange Mount for Model 60 LLV
7.87 in. x 3.31 in. Oval

Color
Gray **TRU60750**



Application: Model 60 LLV, 6 in. Sealed

Mounting Flange Cover
3.01 in. Round

Additional	Color	
For P2 Rated Lamps	Stainless Steel	TRU30708
For PC Rated Lamps	Stainless Steel	TRU30715



(TRU30708)



(TRU30715)

Application: 2 in. Mounts

60 Series Mounting Flange Cover
7.95 in. x 3.43 in. Oval

Color
Stainless Steel **TRU60719**



Application: 60 Series Mounts

33 Series License Flange Mount
2.30 in. Round

Material	Color	
ABS	Black	TRU33805



Application: Round Lamps

Accessories

LHT

Truck-Lite

Definition

Lighting Term

Marker Clearance:

A small lamp used to mark the edges or corners of the trailer or truck body. Normally amber in the front middle of the vehicle and red at the rear.

Lighting

Grommets

Grote

Open Grommet 3.25 in. Round

Material	Color	
PVC	Black	GRT91400



Application: 2-1/2 in. Round Lamps

Open Grommet 5.25 in. Round

Material	Color	
PVC	Black	GRT91740



Application: 4-1/2 in. Round Lamps

Open Grommet 7.625 in. x 3.25 in. Oval

Material	Color	
PVC	Black	GRT92420



Application: 6-3/4 in. Oval Hole

Closed Grommet 7.625 in. x 3.25 in. Oval

Material	Color	
PVC	Black	GRT92720



Application: 6-3/4 in. Oval Hole

Peterson

Grommet 3.27 in. Round

Color	
Black	PETB143-18



Application: 142, 143, 162, 163 & 172 Series Lights

Black Rubber Grommet 1 in. Round, 0.75 in. ID

Color	
Black	PETB177-18



Application: 171 & 177 Series DOT Lights

Accessories

LHT

Grote

PETERSON

Grommets

Grommet

5.25 in. Round, 4.5 in. ID

Color
Black **PETB426-18**



Application: Flush Mounting for 4 in. Round Lamps - 415, 417, 426 or 427 Series S/T/T

Peterson

Oval Grommet

7.63 in. x 3.38 in. Oval

Color
Black **PETB421-18**



Application: Flush Mounting for Oval Lamps - 350, 352, 416, 420 or 421 Series

Optronics

Flush Mount Grommet

Adaptor Cover
3.563 in. Round

Material Color
ABS Black **OPTA11DB**



Application: 2 in. & 2-1/2 in. Holes

2.625 in. Round

Material Color
PVC Black **OPTA54GB**



Application: 2 in. Round Lights

Flush Mount Grommet

7.625 in. x 3.375 in. Oval

Material Color
PVC Black **OPTA70GB**



Application: 70 Series Lights

Accessories

LHT

PETERSON

OPTRONICS

See Electrical Section

Pigtails

Lighting

Grommets

Truck-Lite

Security Ring for Flange

Color

TRU92930



Application: 33 Series Lamps

Adapter Mount Grommet

Color

Black

TRU30701



Application: 2 in. Lamps

Grommet Mounts for 2-1/2 in. Lamps

Flush Mount

	Color	Back	Type	Includes
TRU10700	Black	Open	Grommet	
TRU10702	Black	Closed	Grommet	
TRU10401	Black	Open	Kit	Grommet TRU10700 + Pigtail TRU94902
TRU10402	Black	Closed	Kit	Grommet TRU10702 + Pigtail TRU94902



(TRU10700)



(TRU10702)



(TRU10401)



(TRU10402)

Diaphragm Grommet

3.5 in. Round

Includes	Type	Color	
-	Grommet	Black	TRU10708
Grommet TRU10708 + Pigtail TRU94902	Kit	Black	TRU10403



(TRU10708)



(TRU10403)

Application: Edge Lighting - 2-1/2 in. Lamps

3 in. Grommet Mount

3.62 in. Round

Includes	Type	Color	
-	Grommet	Black	TRU10704
Grommet TRU10704 + Pigtail TRU94902	Kit	Black	TRU10404



(TRU10704)



(TRU10404)

Application: Recess Mounting for 2-1/2 in. Lamps

Accessories

LHT

Trucklite

Grommets

Grommet for Model 14

4.13 in. x 3.03 in. Rectangle

Type	Color	
Grommet	White	TRU14700
Grommet	Black	TRU14701



(TRU14700)



(TRU14701)

Application: Flush Mounting for Model 14 Lamps

45 Series Grommet - Standard

6.29 in. x 4.42 in. Rectangle

Color	
Black	TRU45700



Application: Flush Mounting for 45 Series Lamps

Truck-Lite

Grommet Mount for Model 15

3.33 in. x 1.95 in. Rectangle

Color	
Black	TRU15702



Application: Flush Mounting for Model 15 Lamps

Mounting Grommet

5.5 in. Round

Includes	Type	Color	
-	Grommet	Black	TRU40700
Grommet TRU40700 + Pigtail TRU94993	Kit	Black	TRU40403



(TRU40700)



(TRU40403)

Application: Flush Mounting for 4 in. Lamps

Grommet Mounts for 2 in. Lamps

2.81 in. Round

	Color	Back	Type	Includes
TRU30700	Black	Open	Grommet	-
TRU30702	Black	Closed	Grommet	-
TRU30401	Black	Open	Kit	Grommet TRU30401 + Pigtail TRU94902
TRU30402	Black	Closed	Kit	Grommet TRU30402 + Pigtail TRU94902



(TRU30700)



(TRU30702)



(TRU30401)



(TRU30402)

More Information

Benefits of Grommet

Using a grommet can allow a lamp to be mounted "flush" into the trailer body providing protection from physical damage. A grommet also provides additional protection against shock and vibration.

Lighting

Grommets

Truck-Lite

33 Series Grommet

1.09 in. Round

	Color	Back	Additional
TRU33700	Black	Open	Flush Mount
TRU33705	Black	Open	License
TRU33720	Black	Open	0.070 in. - 0.125 in.
TRU33725	Black	Open	0.125 in. - 0.250 in.



(TRU33700)



(TRU33705)



(TRU33720)



(TRU33725)

Roadside Repair

	Color	Model
TRU10500	Black	10
TRU30500	Black	30
TRU40500	Black	40



(TRU10500)



(TRU30500)



(TRU40500)

More Information

Common Causes of Failure

Moisture & Corrosion:

Water can enter the system through ineffective wire seals, unprotected splices, unsealed crimps and connectors.

Chemical Damage:

Continuous exposure to many of the common chemicals found in and around trucks can cause plastics to swell, crack, soften or otherwise become degraded.

Abrasion:

Occurs when wires or wire wraps are allowed to rub against frame members or other abrasive surfaces.

Impact:

Lighting and wiring must be protected from the impact of rocks, gravel and other debris.

Vibration:

Broken lamp filaments are one of the most common problems caused by vibration, however it can also lead to the abrasion of mating surfaces which causes connectors and splices to fail.

Extreme Temp:

A variety of conditions lead to extreme temperature build-up which can damage lighting and wiring.

Tensile Loads:

Wiring connected to or around loadbearing components can cause tension or snag a section of wire, disconnecting the lighting.

Flexing:

Making sharp turns around corners and constant flexing on sections that open and close repeatedly.

Grommets

Truck-Lite

60 Series Grommet Mount

7.58 in. x 3.34 Oval

Includes	Type	Color	
- Grommet		Black	TRU60700
Grommet TRU60700 + Pigtail TRU94993	Kit	Black	TRU60403



(TRU60700)



(TRU60403)

Application: Flush Mounting for 60 Series Lamps

Grommet for 2 in. Lamps

2-7/8 in. Round

Back	Color	
Open	Black	LHTGR2000



Application: 2 in. Round Lamps

UBLights

Grommet for Oval Lamps

7-3/8 in. x 3-1/8 in. Oval

Back	Color	
Open	Black	LHTGR2238



Application: Oval Lamps

Grommet for 2-1/2 in. Lamps

3-3/8 in. Round

Back	Color	
Open	Black	LHTGR2500



Application: 2-1/2 in. Round Lamps

Grommet for 4 in. Lamps

5-1/4 in. Round

Back	Color	
Open	Black	LHTGR4000



Application: 4 in. Round Lamps

Accessories

LHT

TruckLite

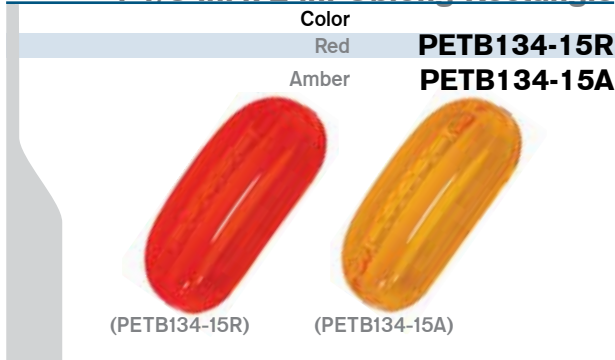
Lighting

Lenses

Peterson

Clearance/Side Marker Replacement Lens

4-1/8 in. x 2 in. Oblong Rectangle



Truck-Lite

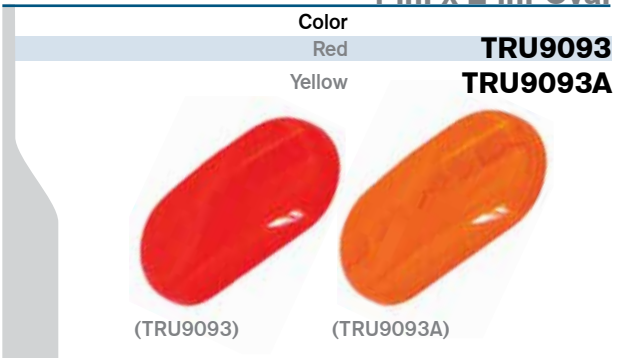
Shock/Mount Permastat Replacement Lens

4 in. x 2 in. Rectangle



Shock/Mount Signal-Stat Replacement Lens

4 in. x 2 in. Oval



More Information

Light Cleaning Materials

The use of solvents which are not compatible with polycarbonate will result in the softening, crazing, and/or cracking of the plastic part. This is especially true of polycarbonate lamps and mounting bases which may be under stress in their normal application.

Compatible Cleaners & Solvents:

Ethanol	Freone TF and TE-35	#1 and #3 Denatured Alcohol
Mineral Spirits	Mild Soap and Water	Methyl, Isopropyl and Isobutyl Alcohols
Mexane	10% Sol Bon Ami	Lacryl PCL-2035 Polycarbonate Cleaner
Dirtex	VM and P Naphtha	Petroleum Ether/ 65 Degrees C Boiling Point
Varsol No. 2	2% Sol. Reg. Joy	
Heptane	White Kerosene	

Damaging Cleaners & Solvents:

Trichlor	Methyl Ethyl Keytone (MEK)	Gasoline	Pink Lux (Phosphate Free)
Acetone	Carbon Tetrachloride	Agitene	Kleenol Plastics
Triclene	Chlorinated Hydrocarbons	Ajax	Lemon Joy (Phosphate Free)
MIBK	Texize-8006, 8129, 8758	Diversol	Stanisol Naphtha
Toluol	Liquid Cleaner - 8211	Lestoil	Oils
Benzol	All Liquid Detergents	Lysol	

Accessories

LHT

PETERSON

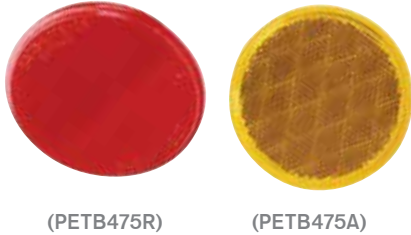
Trucklite

Reflectors

Peterson

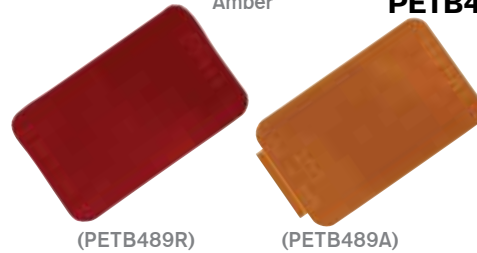
Quick Mount Reflector
3-3/16 in. Round

Color
Red **PETB475R**
Amber **PETB475A**



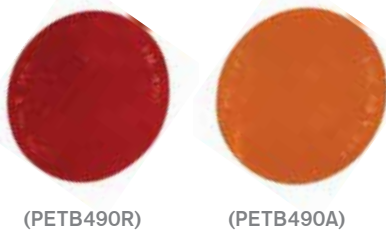
89 Spitfire™ Reflector
2-3/4 in. x 1-3/4 in. Rectangle

Color
Red **PETB489R**
Amber **PETB489A**



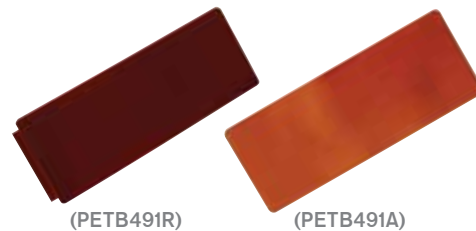
490 Spitfire™ Reflector
2-7/8 in. Round

Color
Red **PETB490R**
Amber **PETB490A**



491 Spitfire™ Reflector
4-5/16 in. x 1-11/16 in. Rectangle

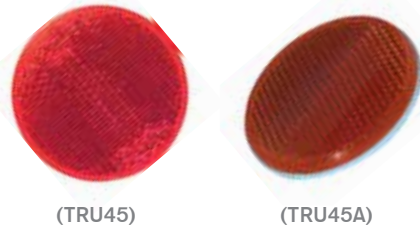
Color
Red **PETB491R**
Amber **PETB491A**



Truck-Lite

Stick-On Reflector
2-3/16 in. Round

Color
Red **TRU45**
Yellow **TRU45A**



Stick-On Reflector
3-3/16 in. Round

Color
Red **TRU47**
Yellow **TRU47A**



Definition

Electrical Term

Reflector:

A non-powered device designed to reflect light. A reflector does not emit light by itself, but will return light that is aimed at it. Reflective tape or reflectors are required by law to supplement lighting systems.

Accessories

LHT

PETERSON

Truck-Lite

Lighting

Reflectors

Truck-Lite

Center-Mount Reflector 2.25 in. Round

Color		
Red		TRU52
Yellow		TRU52A

(TRU52) (TRU52A)

Center-Mount Reflector 3.20 in. Round

Color		
Red		TRU98006R
Yellow		TRU98006Y

Screw Mount Reflector - Flush 3 in. Round Reflector & Aluminum Guard

Guard	Color	
4-5/8 in. x 4.00 in.	Red	TRU41
4-5/8 in. x 4.00 in.	Yellow	TRU41A

(TRU41) (TRU41A)

Retro-Reflective Tape Reflector 3 in. Round

Color		
Red		TRU98175R
Yellow		TRU98175Y

(TRU98175R) (TRU98175Y)

Two Hole Reflector 4.44 in. x 1.94 in. Oval

Mounting	Color	
Stick-On or Screw	Red	TRU54
Stick-On or Screw	Yellow	TRU54A

(TRU54) (TRU54A)

Reflector 3.937 in. x 1.937 in. Oval

Color		
Red		TRU98031R
Yellow		TRU98031Y

(TRU98031R) (TRU98031Y)

Definition

Electrical Term

Acrylic:

A glassy thermoplastic polymerized from acrylonitrile which can be cast and molded, which is resistant to damage from many cleaning solvents.

Accessories

LHT

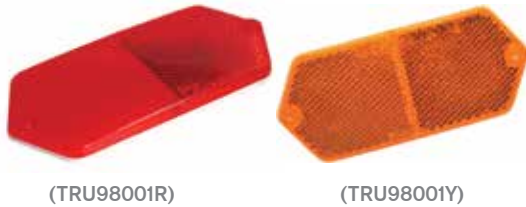
Trucklite

Reflectors

Truck-Lite

Hexagon Reflectors
4.38 in. x 1.92 in. Hexagon

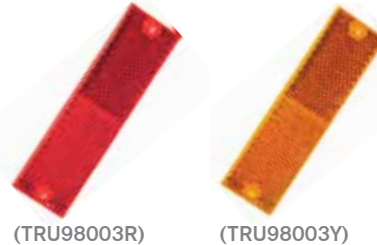
Color
Red **TRU98001R**
Yellow **TRU98001Y**



Material: Acrylic

Compact Reflector
4.38 in. x 1.30 in. Rectangle

Color
Red **TRU98003R**
Yellow **TRU98003Y**



Truck-Lite

Narrow Rail Reflector
12.00 in. x 1.09 in. Rectangle

Color
Clear **TRU98153**



2 Screw or Adhesive Mount

James King & Co.

Ultra High Output Reflector
12.00 in. x 1.12 in. Rectangle

Color
White **JKG2000WP**



Adhesive Mount

Optronics

Center Mount Reflectors
2-3/16 in. Round

Color
Red **OPTRE35RB**
Yellow **OPTRE35AB**



Material: Acrylic

Trucklite
Accessories

LHT

KING

OPTRONICS

Standard Cables

7 Way Non-ABS

	Length	Plug	Color	Additional
PROEL1212B	12 ft.	Xenoy	Black	12 in. Lead; Light Duty; 6/14 & 1/12
PROEL1212BM	12 ft.	Zinc	Black	12 in. Lead; Light Duty; 6/14 & 1/12
PHI24-4621	15 ft.	Zinc Die-Cast	Black	PERMACOIL™; 6-14 ga., 1-12 ga.
PROEL1512B	15 ft.	Xenoy	Black	12 in. Lead; Light Duty; 6/14 & 1/12
PROEL1512BM	15 ft.	Zinc	Black	12 in. Lead; Light Duty; 6/14 & 1/12
PROEL1548B	15 ft.	Xenoy	Black	48 in. Lead; 6/14 & 1/12
PROEL1548BM	15 ft.	Zinc	Black	48 in. Lead; 6/14 & 1/12



(PROEL1212B/
PROEL1512B/
PROEL1548B)



(PHI24-4621)

ABS Ready Cables

7 Way

	Length	Plug	Color	Additional
PHI30-2050	12 ft.	PERMAPLUG™	Green	Straight; LECTRAFLEX™; 4/12, 2/10 & 1/8
PHI30-2070	15 ft.	PERMAPLUG™	Green	Straight; LECTRAFLEX™; 4/12, 2/10 & 1/8
PHI30-2071	15 ft.	Zinc Die-Cast	Green	Straight; LECTRAFLEX™; 4/12, 2/10 & 1/8
PHI30-4621	15 ft.	Zinc Die-Cast	Green	Coiled; PERMACOIL™; 4/12, 2/10 & 1/8
PHI30-4921	15 ft.	Zinc Die-Cast	Green	Coiled; PERMACOIL™; 48 in. Lead; 4/12, 2/10 & 1/8
PHI30-9320	12 ft.	PERMAPLUG™	Green	Coiled; LECTRACOIL™; 4/12, 2/10 & 1/8
PHI30-9620	15 ft.	PERMAPLUG™	Green	Coiled; LECTRACOIL™; 4/12, 2/10 & 1/8
PHI30-9621	15 ft.	Zinc Die-Cast	Green	Coiled; LECTRACOIL™; 4/12, 2/10 & 1/8
PHI41-0213	15 ft.		Black	Coiled; 6-14 ga., 1-12 ga.
PROEL1512G	15 ft.	Xenoy	Green	Coiled; 12 in. Lead; 4/12, 2/10 & 1/8
PROEL1512GM	15 ft.	Zinc Die-Cast	Green	Coiled; 48 in. Lead; 4/12, 2/10 & 1/8
PROEL1548G	15 ft.	Xenoy	Green	Coiled; 48 in. Lead; 4/12, 2/10 & 1/8
PROEL1548GM	15 ft.	Zinc Die-Cast	Green	Coiled; 48 in. Lead; 4/12, 2/10 & 1/8
SLO451097	12 ft.	Zinc Plugs	Green	Heavy Duty
SLO451098	15 ft.	Zinc Plugs	Green	Heavy Duty



(PHI30-2050/
PHI30-2070)



(PHI30-4621/
PHI30-4921)



(PHI30-9320/
PHI30-9620/
PHI30-9621)



(PHI41-0213)



(PROEL1512G)



(PROEL1512GM)



(SLO451097/
SLO451098)

**ALL OF OUR PRODUCTS ARE MADE
WITH THE SAME MAIN INGREDIENT**

PRIDE



90 YEARS OF INNOVATION

PHILIPS

Electrical

ABS Ready Cables

ABS Jumper Coil

	Length
WAB14500392	96 in.



Wabash

Lift Gate Cables

Coiled

	Type	Length	Color	Additional
PHI23-4325	Single Pole (Mate: 15-320)	12 ft.	Green	1 hot; 100 amp; 1/4 ga. Fine Stranded Copper
PHI23-4625	Single Pole (Mate: 15-320)	15 ft.	Green	1 hot; 100 amp; 1/4 ga. Fine Stranded Copper
PHI23-2326	Dual Pole (Mate: 15-326)	12 ft.	Black	1 ground, 1 hot; 100 amp; 2/4 ga. Fine Stranded Copper
PHI23-2626	Dual Pole (Mate: 15-326)	15 ft.	Black	1 ground, 1 hot; 100 amp; 2/4 ga. Fine Stranded Copper
PHI23-2628	Dual Pole to Single Pole	15 ft.	Black	1 ground, 1 hot; 100 amp; 2/4 ga. Fine Stranded Copper



(PHI23-4325/
PHI23-4625)



(PHI23-2326/
PHI23-2626)



(PHI23-2628)

Phillips

Braided Ground Strap

	Length	Guage
PHI9-150	13 in.	4
PHI9-151	18 in.	4



Phillips

Plugs

Liftgate Charging Plugs w/Spring Guard

	Type	Pole	Additional
PHI15-335	Zinc Die Cast	Single	Chassis Ground
PHI15-336	Zinc Die Cast	Dual	Return Ground
TEC670-DDSG	Zinc Die Cast	Dual	Both Vertical and Horizontal Socket Design



(PHI15-335)



(PHI15-336)



(TEC670-DDSG)

Plugs

4-Way Plugs

	Type	Includes
PHI15-410	Zinc Die Cast	-
PHI15-430	Zinc Die Cast	Spring Guard
IMXGT-3004	Die Cast	Spring Guard



(PHI15-410)



(PHI15-430)



(IMXGT-3004)

6-Way Plugs

	Type	Includes
PHI15-630	Zinc Die Cast	Spring Guard
IMXGT-3006A	Die Cast	-
IMXGT-3006B	Die Cast	Spring Guard



(PHI15-630)



(IMXGT-3006A)



(IMXGT-3006B)

7-Way Plugs

	Type	Includes	Additional
PHI15-710	Zinc Die Cast	-	Heavy-Duty
IMXGT-3007A	Die Cast	-	
PHI16-730	Weather-Tite™ Permaplug™	-	
PAR670-71SG	Zinc Die Cast	Spring Guard	
IMXGT-3007B	Die Cast	Spring Guard	
PHI15-730	Zinc Die Cast	Spring Guard	
PHI15-830	Zinc Die Cast	Spring Guard	ISO
PROELPLUG7WAY	Zinc Die Cast	Spring Guard	



(PHI15-710)



(IMXGT-3007A)



(PHI16-730)



(PAR670-71SG)



(IMXGT-3007B)



(PHI15-730)



(PHI15-830)



(PROELPLUG7WAY)

Cables

LHT

PHILIPS

pro-par
ONE PART PART PART

Junction Boxes

7-Terminal Style IMXGT-3100



7-Terminal Style

Grommet Positions

A, B, E, G

B, E, F, G

MIDBE22010

MIDBE22040



Accessories

Replacement
Terminal Strip
MIDB20309

Haldex

CLEAR-UV™ PHI15-961



Termination: Ring
(7) #10 Stud Posts

Phillips

Super 50 Junction Box Kit TRU50600



12 Entry Ports
16 Terminals - 4 Common Grounds

Includes: ABS box, Clear Lid with screws, terminal block, ground strap, filler plugs & filler plug O-rings

Truck-Lite

Round Junction Box & Components

	Type	Mounting	Includes
TRU50400	Kit	Surface	Junction Box TRU50800 + Cap TRU50816 + Terminal Block TRU50820 + (4) Filler Plugs TRU50830 + Mounting & Assembly Screws
TRU50401	Kit	Buckplate	Junction Box TRU50801 + Cap TRU50816 + Terminal Block TRU50820 + (4) Filler Plugs TRU50830 + Mounting & Assembly Screws
TRU50800	Junction Box	Surface	-
TRU50801	Junction Box	Buckplate	-
TRU50816	Cap	-	-
TRU50820	Terminal Block	-	-
TRU50830	Filler Plug	-	-



(TRU50800)



(TRU50801)



(TRU50816)



(TRU50820)



(TRU50830)

Truck-Lite

Connections

Haldex

LHT

PHILIPS

Truck-Lite

Junction Boxes

Compression Fittings

	Type	Use
TRU50840	3/8 in. I.D. Fitting	2 Conductor Cable
TRU50841	1/2 in. I.D. Fitting	4 & 5 Conductor Cable
TRU50842	3/4 in. I.D. Fitting	6 & 7 Conductor Cable
TRU50843	5-Hole Fitting	Single Conductor Wire
TRU50846	Fitting	3 Conductor Flat Cable
TRU50847	Fitting	4 Conductor Flat Cable



- 3 Part Fitting Includes:
- Pre-tapped Cap
 - Threaded Base
 - Black PVC Grommet

(6) Grommet Hole Sizes Available:



(TRU50840)



(TRU50841)



(TRU50842)



(TRU50843)



(TRU50846)



(TRU50847)

Truck-Lite

4-Outlet Distribution Module

TRU77804



Truck-Lite

77 Series Harness System

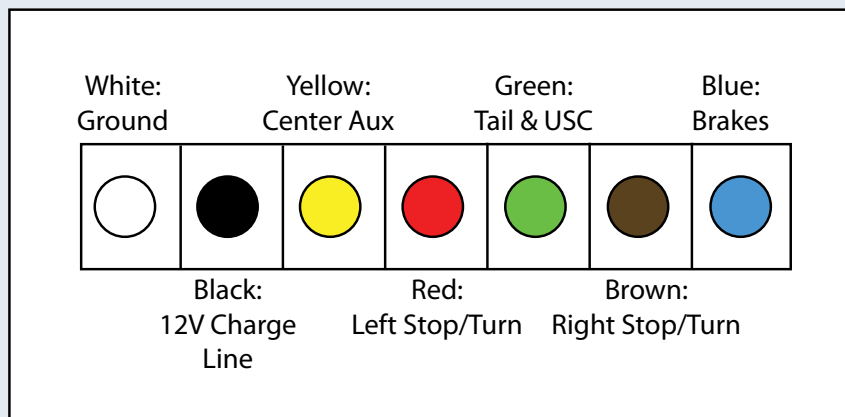
Connections

LHT

More Information

Identification

7-Way Junction Box Identification Chart



Nose Boxes

Ultra-Pin Receptacle 5-3/8 in. x 6-1/4 in. Rectangle

Type	Part Number
Solid Pin	GRT87590
Split Pin	GRT87830

Mount: 4 Holes
Pins: Brass

Housing: Aluminum
No Circuit Breaker

Ultra Nose Box® 7-1/4 in. x 7-5/8 in. Rectangle

Type	Part Number
Replacement Cover for 87141	GRT97831
Ultra Nose Box, Solid Pin	GRT87141

Material: Nylon

Socket 97900

Interline Nose Assembly

Includes

(1) BE23602 6-Way, (1) BE23703 7-Way, (1) 15 Amp Circuit Breaker Panel, (1) Spring Loaded Quick Insert, 11451 Gladhand & 11452 Gladhand	MIDBE26100
(1) BE23703 7-Way, (1) 15 Amp Circuit Breaker Panel, 11451 Gladhand & 11452 Gladhand	MIDBE26103

(MIDBE26100 Shown)

DFDR Nose Box with Receptacle MXIHW548

Part Number	Type	Housing	Depth	Includes
PHI15-768	Nosebox Only	Zinc Die-Cast	1-7/8 in.	-
PHI15-769	Kit	Zinc Die-Cast	1-7/8 in.	Gasket, Grommet & Socketbreaker Mounting Hardware
PHI15-775	Kit	Zinc Die-Cast	3-1/8 in.	Gasket, Grommet & Socketbreaker Mounting Hardware
PHI16-775	STA-DRY® Single Cavity Nosebox Kit	Nylon	3-1/2 in.	Gasket, Grommet & Socketbreaker Mounting Hardware
PHI16-777	STA-DRY® Dual Cavity Nosebox Kit w/Backplate	Nylon	3-1/2 in.	Grommet & Socketbreaker Mounting Hardware
PHI16-779	STA-DRY® Single Cavity Nosebox Kit w/Backplate	Nylon	2-1/2 in.	Grommet & Socketbreaker Mounting Hardware



(PHI15-768)



(PHI15-775)



(PHI16-775)



(PHI16-777)

Phillips

Grote

Connections

LHT

Haldex

PHILIPS

Nose Boxes

QBOX™
PHI16-8510



Phillips

Includes QCS2® Quick Connect Socket
No circuit breakers

Replacement
Lid Repair Kit
16-850

Volt Box
PHI16-8170



Phillips

Front 7-Way

STA-DRY S7™ Nose Box
without Circuit Breakers
PHI16-9510



Phillips

Socket Swivels 80° side to side; Durable weather-resistant housing

Replacement
Lid
PHI16-9515

PERMALOGIC™ Nose Box
Trailer Dome Lamp Controller
PHI60-2520



Phillips

Single circuit with no breakers
Material: Non-metallic

Surface Mounted Adapter Box
TRA3826040





Tramec

Depth: 4 in.
Entry: Bottom

Surface Mounted Adapter Box


Depth	Entry	
2 in.	Bottom	TRA38265
2 in.	Back	TRA38265B

Tramec

Smart Box

Deep	Pins	Type	
2-1/4 in.	Split	Box	TRA38521
		Adapter Box	TRA3850031




Tramec

(TRA38521)

Accessories
Replacement Receptacle
TRA38501
Cover Gasket
TRA3850008
Anodized Aluminum
Cover Plate
TRA3850015

7-Way Receptacle Systems

	Additional Deep	Pins	
Self Grounding Box	2 in.	Split	TRA38351G-5
Stacking Studs, Back Entry	2 in.	Split	TRA38353B



Tramec

(TRA38353B)

Accessories
Lid Repair Kit
TRA38204

Connections

LHT

PHILIPS

TRAMEC
SLOAN

Connections

Nose Boxes

Polycarbonate Nose Box

	Breakers	Addtl Info
TRU50805	None	50 Series, 7 Solid Pin, Poly, Surface Mount
TRU50806	15 amp	50 Series, 7 Solid Pin, Poly, Surface Mount
TRU50810	None	

Accessories

Lid Repair Kit
TRU50808



(TRU50805/ TRU50806)

(TRU50810)

Truck-Lite

Smart Box

	Pins	Addtl Info
TRU50878	Solid	50 Series, 7 Solid Pin, Plastic, Surface Mount
TRU50879	Split	50 Series, 7 Split Pin, Plastic, Surface Mount

Accessories

Replacement Receptacle
- Solid Pin
TRU50813
Replacement Receptacle
- Split Pin
TRU50898



(TRU50878)

(TRU50879)

Truck-Lite

EZ 7-Way Kit WABEZ7WAYKIT-1



Complete with box enclosure

Wabash

More Information

www.MyAuroraPlus.com

Need more information on a particular trailer, log into www.MyAuroraPlus.com for Aurora's Graphical Bill of Material (GBOM). Easily point and click through visual elements of a trailer to drill down to an individual trailer.

Receptacles

Single Pole Liftgate Sockets

Material	Pins	
Die-Cast	Solid	IMXGT-3010



Grote

Material	Pins	
Zinc Die-Cast	Solid	PHI15-320



Phillips

Dual Pole Liftgate Sockets

Pins	Type	
Split	Ultra-Pin Receptacle	GRT87250



Grote

Pins	Type	
Solid	Liftgate Charging	PHI15-326



Phillips

4-Way Sockets

Pins	Type	
Split	Die-Cast	IMXGT-3014



Grote

Pins	Type	
Split	Zinc Die-Cast	PHI15-400



Phillips

Connections

LHT

PHILLIPS

Grote

Receptacles

6-Way Sockets

Material	Pins	
Die-Cast	Solid	IMXGT-3016



Material	Pins	
Zinc Die-Cast	Solid	PHI15-600



Phillips

7-Way Sockets

7-Way Socket Composite

	Pins	Terminal	Mounting Holes	Additional
PHI16-720	Split	Wire Insert	2	STA-DRY®
PHI16-722	Split	Ring	2	STA-DRY®
PHI16-724	Split	Bullet	2	
PHI16-7242	Solid	Bullet	2	
PHI16-726	Split	Bullet	2	Replacement Socket; Bullet with Locking Clip for QCS®
PHI16-822	Split	Ring	2	ISO
PHI16-826	Split	Bullet	2	With Locking Clip
PHI16-7842		Ring	2	STA-DRY® QCS2® Replactment Kit
IMXGT-3338	Solid	Push-In	2	With Gasket; Replacement for Nose Box
MXIHW411	Split	Push-In	2	
TRA38501	Solid		2	For Smart Box
TRA38502	Split		2	For Smart Box
TRU50813	Solid		2	
TRU50898	Split		2	



(PHI16-720)



(PHI16-722/
PHI16-724)



(PHI16-7242)



(PHI16-726)



(PHI16-822/
PHI16-826)



(PHI16-7842)



(IMXGT-3338)



(MXIHW411)



(TRA38501)



(TRA38502)



(TRU50813)



(TRU50898)

PHILIPS

Connections

LHT

TRAMEC
SLOAN

Trucklite

Receptacles

7-Way Sockets

7-Way Socket Die-Cast

	Mounting Holes	Additional
IMXGT-3227	2	Pollack Style
IMXGT-3227E	2	Economy Style
IMXGT-3337	2	EZ 7-Way Base
PHI15-720	2	Heavy Duty
PROELSOCKET7WAY	2	Split Pin
WABEZ7WAY-CON	2	EZ 7-Way



(IMXGT-3227)



(IMXGT-3227E)



(IMXGT-3337)



(PHI15-720)



(PROELSOCKET7WAY)



(WABEZ7WAY-CON)

7-Way Socketbreaker Composite Less Breakers

	Pins	Terminal	Additional
PHI16-760	Split	Ring	STA-DRY®
PHI16-7602	Solid	Ring	STA-DRY®
PHI16-7602-28	Solid	0.180 Bullets	STA-DRY®, 28 Rear Pin, 4 Connections per Circuit
PHI16-77029-28	Solid	0.180 Bullets	STA-DRY®, 28 Rear Pin, 4 Connections per Circuit, With 3-1/2 in. Box
PHI16-7709-28	Split	0.180 Bullets	STA-DRY®, 28 Rear Pin, 4 Connections per Circuit, With 3-1/2 in. Box
TRA38202	Split	Screw	
TRA38360	Solid	Ring	With Stacking Studs
TRA38361	Split	Ring	With Stacking Studs
TRU50866	Solid	Ring	With Threaded Stacking Studs
TRU50867	Split	Ring	With Threaded Stacking Studs



(PHI16-760)



(PHI16-7602)



(PHI16-7602-28)



(PHI16-77029-28/
PHI16-7709-28)



(TRA38202)



(TRA38361)



(TRU50861)



(TRU50866)



(TRU50867)

Receptacles

7-Way Sockets

7-Way Socketbreaker Composite with Breakers

	Breaker	Pins	Terminal	Additional
PHI16-762	20 amp	Split	Ring	STA-DRY®
PHI16-762-28	20 amp	Split	0.180 Bullet	STA-DRY® · 28 Rear Pin
PHI16-7622-28-1	20 amp	Solid	0.180 Bullet	STA-DRY® · 28 Rear Pin
PHI16-763	30 amp	Split	Ring	STA-DRY®
PHI16-7632-28	20 amp	Split	0.180 Bullet	STA-DRY® · 28 Rear Pin
PHI16-7729-28	20 amp	Split	0.180 Bullet	STA-DRY®, 28 Rear Pin, 3-1/2 in. Box
TRA38213	20 amp	Split	Screw	



(PHI16-762/
PHI16-762-28/
PHI16-7622-28-1)



(PHI16-763)



(PHI16-7632-28)



(PHI16-7729-28)



(TRA38213)

7-Way Socketbreaker Die-Cast

	Breaker	Pins	Terminal	Additional
PHI15-750	-	Split	Screw	Low Profile
PHI15-752	20 amp	Split	Screw	Low Profile
PHI15-760	-	Split	Screw	Extended Barrel
PHI15-762	20 amp	Split	Screw	Extended Barrel
PHI15-763	30 amp	Split	Screw	Extended Barrel
MIDBE24000	-	Split	Screw	Breaker Style
MIDBE24001	-	Split	Screw	Non-Breaker Style
MIDBE24020	20 amp	Split	Screw	Non-Breaker Style
MIDBE24030	30 amp	Split	Screw	Non-Breaker Style
IMXGT-3017	-	-	-	-



(PHI15-750)



(PHI15-752)



(PHI15-760)



(PHI15-762/
PHI15-763)



(MIDBE24000)



(MIDBE24001)



(MIDBE24015/
MIDBE24020)



(MIDBE24030)



(IMXGT-3017)

Receptacle Accessories

**Receptacle Boot
IMXGT-3200**



Fits: IMXGT-3227 & IMXGT-3227E

**Receptacle Boot
MIDB205010**



Material: Neoprene
Length: 4 in.

**Socket Boot
PHI15-740**



Fits: PHI15-320, PHI15-720, PHI15-721,
PHI15-722, PHI16-720, PHI16-721,
PHI16-722, PHI16-822

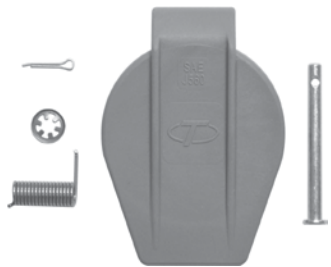
**Receptacle Boot
TRU50890**



Material: Natural Rubber

Lid Field Service Kit

For	Color	
Tramec Composite Receptacles	Gray	TRA38204



Lid Replacement Kits

For	
Standard	TRU50875 TRU50808
50805, 50806, 50822	



Lid Replacement Kits

	Color	For
PHI15-796	Metallic	PHI15-762
PHI16-798	Gray	STA-DRY® Sockets
PHI16-799	Black	STA-DRY® Sockets



(PHI15-796)



(PHI16-798)



(PHI16-799)

Phillips

Haldex
PHILLIPS
Connections
LHT
Truck-Lite
TS TRAMEC SLOAN

Receptacle Accessories

Extended Barrel Face Plate
PHI15-773-1



Phillips

For: PHI15-760, PHI15-761, PHI15-762, PHI15-763

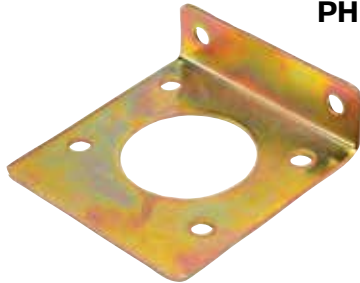
Adapter Plate
PHI15-770



Phillips

Standard socket to nosebox

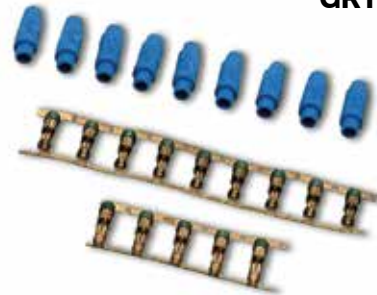
90° Mounting Bracket
PHI15-788



Phillips

For: PHI15-720, PHI15-721, PHI15-722, PHI15-326, PHI15-320

Terminal Retrofit Kit
GRT99510



Grote

Material: (14) Terminals & (9) Boots

7-Way Durometer Wedge Spacer
MXIMS90-1012-00



Maxi-Seal

7-Way Replacement Insert
PHI15-711



Phillips

Standard Phillips J560 plug

Quick Change Plug Cartridge
PHI16-125



Phillips

For: QCP™ assemblies only

Smart Nose Box Gasket
TRA3850008



Tramec

Connections

LHT

PHILLIPS

TRAMEC SLOAN

Receptacle Accessories

Smart Nose Box Cover
TRA3850015



Tramec

Circuit Breaker

Amp
30 IMXGT-3553



Tech Tips

Winterizing Your Electrical Harness



If you don't have a sealed front end, corrosion and contamination will work their way into the front of the harness, clogging the arteries, making the sealed harness useless. There are a few options available when it comes to sockets that are made to withstand the effects of moisture and corrosion:

- **Metal Sockets** are the most cost effective and will do the job but only the socket housing itself will be protected rather than the electricals within.
- **Glass Filled Nylon Sealed Sockets** are the preferred choice. Make sure they are insert molded. Insert molding seals the pins to the housing which will prevent contamination from entering the harness system.

If you don't have a sealed front end, make sure to do the following in order to help better resist the winter months:

- Make sure to secure all pigtails as close to the lamps as possible to avoid road ice build up.
- Check for any damage to the harness insulation and repair.
- Cleaning the 7 way socket and plug connections and applying dielectric grease is an important step to the process.

Connections

LHT

TRAMEC
SLOAN

Harnesses

Grote

Multiple ID Lamp Jumper

Slim-Line Under-Lamp Male to Female
GRT66160



Plug	Termination	Length
Female	Male	12 in.

Rear Tracking Lamp Jumper

Std Male to Slim-Line Under-Lamp Female
GRT66170



Plug	Termination	Length
Female	Male	24 in.

Grote

Insulated Ground Return Jumper

Blunt-Cut to Standard Female
GRT66200



Plug	Termination	Length
Female	Blunt-Cut	8 in.

Phillips

Front Dolly Y Harness

PHI41-3040



Type	Additional	Length
Coil	with ABS drop	11 ft.

Harnesses

LHT

Grote

PHILIPS

More Information

Light Connectors

Incandescent Light Connectors



Marker



Stop/Turn (S/T)
Stop/Turn/Tail (S/T/T)

LED Light Connectors



Marker

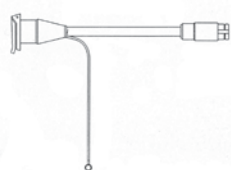


Stop/Turn (S/T)
Stop/Turn/Tail (S/T/T)

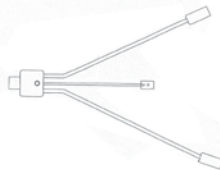
Harnesses

Transcraft

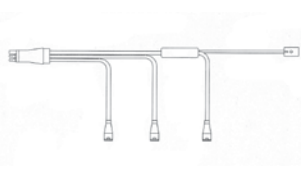
	Type	Additional
TSCPQA-417	Front 7 Way, 10 in. Whip Attached	
TSCPQA-419	Center Rear Harness, 3 in. & 20 in. w/5 in. Lead	Connects Main to Rear Sill/Lamp Harnesses
TSCPQA-420	Tail Lamp Harness w/Marker Lead, Curbside	
TSCPQA-421	Tail Lamp Harness w/Marker Lead, Roadside	



(TSCPQA-417)



(TSCPQA-419)



(TSCPQA-420/
TSCPQA-421)

Truck-Lite

	Type
TRU88810	24 Main Retro Fit/Repair
TRU88737-0312	88 Intermediate Main
TRU88910	Rear
TRU88892	88 Series Nose Box Jumper



(TRU88810)



(TRU88737-0312)



(TRU88910)



(TRU88892)

Harnesses

LHT

Transcraft

TruckLite

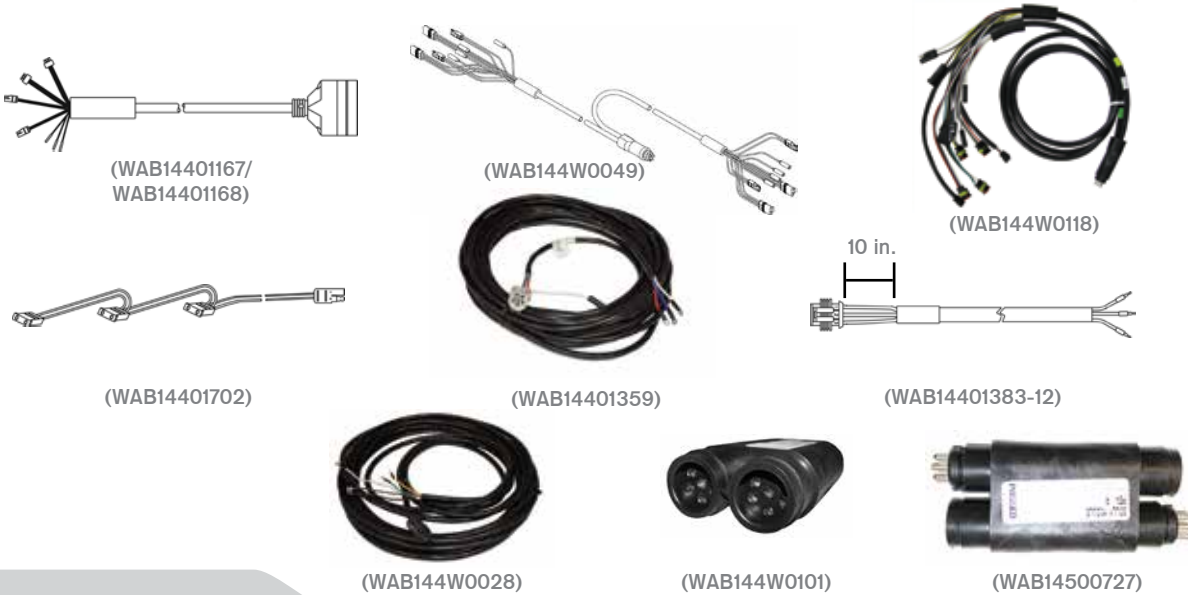
More Information

www.MyAuroraPlus.com

Need more information on a particular trailer, log into www.MyAuroraPlus.com for Aurora's Graphical Bill of Material (GBOM). Easily point and click through visual elements of a trailer to drill down to an individual trailer.

Harnesses

	Type	Additional
WAB14401167	Rear Harness, Roadside, 60 in.	1-12, 4-14, Round Cable
WAB14401168	Rear Harness, Curbside, 60 in.	1-12, 4-14, Round Cable
WAB144W0049	Rear Sill LED Harness, RS/CS, 60 in.	
WAB144W0118	Rear Sill LED Harness	
WAB14401702	Upper ID Harness	Polarized, 2-Way, 42 in. Lead, 14 in. Centers
WAB14401359	ABS Harness, 48 ft.	
WAB14401383-12	Turn Signal Harness	LED, Fit'N Forget, (3) 0.180 Bullets
WAB144W0028	Main Cable, 6-Wire, 684 in.	
WAB144W0101	Double Module Adapter Plug	
WAB14500727	Junction Block	



Harnesses

LHT



Pigtails

Grote

Sealed Marker Lamp Pigtails

6 in. Long

	Type	Plug	Termination
GRT66801	Single Seal	Male	Ground Return, Slim-Line 0.180 Bullet
GRT66850	Double Seal	Male	Chassis Ground, Slim-Line 0.180 Bullet
GRT66851	Double Seal	Male	Ground Return, Slim-Line 0.180 Bullet
GRT67001	Double Seal	Male	Ring Terminal Ground, Blunt-Cut Wire
GRT67050	Single Seal	Male	Ring Terminal Ground, Blunt-Cut Wire



(GRT66801)



(GRT66850)



(GRT66851)



(GRT67001)



(GRT67050)

S/T/T Three-Wire Plug-In Pigtails

for Male-Pin Lamp

	Length	Plug	Termination
GRT66815	6 in.	Female	Ground Return, Slim-Line 0.180 Bullet
GRT66841	8 in.	Female	Chassis Ground, Slim-Line 0.180 Bullet
GRT67002	11 in.	Female	Chassis Ground, Blunt-Cut Wire



(GRT66815)



(GRT66841)



(GRT67002)

Adapter Plugs

6 in. Long

	Plug	Termination
GRT66830	Female	Male
GRT66831	Male	Female



(GRT66830)



(GRT66831)

Sentry Lamp Pigtails

6 in. Long

	Plug	Termination
GRT66900	Female	Slim-Line 0.180 Bullet, Chassis Ground, Star Ring Terminal (3-1/2 in. Ground)
GRT66904	Female	Slim-Line 0.180 Bullet, Ground Return
GRT66905	Female	Slim-Line 0.180 Bullet, Chassis Ground



(GRT66900)



(GRT66904)



(GRT66905)

Harnesses

LHT

Pigtails

Grote

Turtleback® II Double-Seal Lamp Pigtails

	Length	Plug	Termination
GRT66910	6 in.	Female	Slim-Line 0.180 Bullet, Chassis Ground
GRT66911	6 in.	Female	Slim-Line 0.180 Bullet, Ground Return
GRT67070	2-1/2 in.	Female	Standard 0.180 Bullet, Ground Wire



(GRT66910)



(GRT66911)



(GRT67070)

Thin-Line LED Pigtails

	Length	Plug	Termination
GRT66930	5 in.	Female	Chassis Ground, Slim-Line 0.180 Bullet
GRT66931	6 in.	Female	Ground Return, Slim-Line 0.180 Bullet



(GRT66930)



(GRT66931)

S/T/T Three-Wire Plug-In Pigtail for Female Pin Lamp **GRT67000**



Length	Plug	Termination
11-1/2 in.	Male	Blunt-Cut Wires, Chassis Ground

S/T/T Three-Wire 90° Plug-In Pigtail for Male Pin Lamp **GRT67005**



Length	Plug	Termination
11 in.	Female	Blunt-Cut Wires, Chassis Ground

Midturn Adapter Harness for use with ULTRA-BLUE-SEAL® **GRT66823**



Length	Plug	Termination
6 in.	Male	Male, Standard 0.180 Bullet

Hard-Shell Connector using Hard Shell SuperSeal 1.5 Series **GRT66861**



Length	Plug	Termination
11 in.	Female	Blunt-Cut Wires, Chassis Ground

Harnesses

LHT

Grote

Pigtails

Grote

High-Mount Stop Lamp

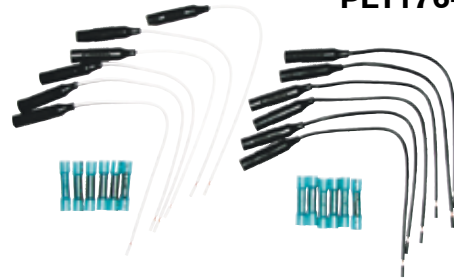
for use with **ULTRA-BLUE-SEAL®**
GRT66870



Length	Plug	Termination
12-1/2 in.	Male	Slim-Line 0.180

Peterson

Lead Wires
PET176-496



Termination	Includes
0.180 Bullet	(6) White, (6) Black, (12) Butt Connectors

Peterson

Right-angle Incandescent Plugs
PETB421-491



Length	Termination
10-1/2 in.	Hot Wire Stripped, #10 Ring Ground Wire

Straight Male Pin 3-Wire Plug Pigtail
PETB431-491



Length	Termination
10-1/2 in.	Hot Wire Stripped, #10 Ring Ground Wire

Phillips

Connector with STA-DRY® Sealed Boot
PHI51-96310



Length	Termination
8 in.	(2) Bullet

Grote
Harnesses

LHT

PETERSON

PHILLIPS

Pigtails

Truck-Lite

Identification Harness

for Incandescent Identification Bar

	Length	Plug	Termination
TRU93906	22-1/2 in.	Male	Blunt Cut, 6 in. Center, #10 Ring Terminal
TRU93908	28 in.	Male	Blunt Cut, 9 in. Center, #10 Ring Terminal
TRU93943	22-1/2 in.	Male	0.180 Moulded Bullet, 6 in. Center, #10 Ring Terminal



Model 19 Lamp Plugs

	Length	Plug	Termination	Type
TRU94727	7-1/2 in.	Female	Blunt Cut	Pigtail
TRU94729	7-1/2 in.	Female	#10 Ring Terminal Ground, Blunt Cut	Plug
TRU96904	6 in.	Female	Blunt Cut	Hot Wire



(TRU94727)



(TRU94729)



(TRU96904)

Super 21 Lamp Plugs

	Length	Plug	Termination
TRU96930	12 in.	Male	Blunt Cut
TRU96932	5 in.	Male	0.180 Moulded Bullet



(TRU96930)



(TRU96932)

S/T & S/T/T Plugs

	Length	Plug	Termination
TRU94925	11 in.	Male	Blunt Cut, #10 Ring Terminal Ground, 2-Wire, Stop/Turn
TRU94926	11 in.	Male	(2) Blunt Cut, #10 Ring Terminal Ground, 3-Wire, Stop/Tail/Turn



(TRU94925)



(TRU94926)

Right Angle S/T/T Plugs with Adapter

	Length	Plug	Termination
TRU94897	5 in.	Male	Convert Single Female Plug to Single Male Plug
TRU94932	10 in.	Female	Converts 1 S/T/T Male Plug to 2 S/T/T Male



(TRU94897)



(TRU94932)

Harnesses

LHT

Trucklite

Pigtails

Truck-Lite

Right Angle S/T/T & S/T Plugs

	Type	Length	Plug	Termination
TRU94802	S/T/T	13 in.	Male	(2) 0.180 Molded Bullet, #10 Ring Terminal Ground
TRU94931	S/T/T	49 in.	Male	(2) Blunt Cut, #10 Ring Terminal Ground
TRU94992	S/T	10-1/4 in.	Male	Blunt Cut, #10 Ring Terminal Ground (10-1/2 in.)
TRU94993	S/T/T	11 in.	Male	Blunt Cut (11 in.), 0.19 Blunt Cut (10-3/4 in.), #10 Ring Terminal Ground (11 in.)



(TRU94802)



(TRU94931)



(TRU94992)



(TRU94993)

Right Angle Marker Clearance Plugs

	Length	Plug	Termination
TRU94924	6-1/2 in.	Male	Blunt Cut, #10 Ring Terminal Ground
TRU94964	6.00 in.	Male	0.180 Moulded Bullet, #10 Ring Terminal Ground



(TRU94924)



(TRU94964)

Marker Clearance Plugs

	Length	Plug	Termination
TRU94972	6 in.	Male	0.180 Moulded Bullet, 0.180 Moulded Bullet Ground (6-1/2 in.)
TRU94902	6-1/2 in.	Male	Blunt Cut, #6 Ground Terminal (7 in.)
TRU94850	6-1/2 in.	Male	0.156 Moulded Bullet
TRU94916	18-1/2 in.	Male	Blunt Cut, #10 Ring Terminal Ground (19 in.)



(TRU94972)



(TRU94902)



(TRU94850)



(TRU94916)

Definition

Electric Term

Pigtail:

Relatively short connection cable that connects light and harness. Usually a 1, 2, 3, or 4 wire design with termination designed to mate with a socket or pin connection area on the lamp.

Pigtails

Truck-Lite

LED Fit 'N Forget® Adapter Plugs

	Type	Length	Plug	Termination
TRU93745	M/C	4.00 in.	Female	Marker Clearance Adapter
TRU94789	S/T	8.00 in.	Female	Male Conventional to LED S/T
TRU94706	S/T/T	8.00 in.	Female	Male Conventional to LED S/T/T
TRU94768	S/T/T	8-1/2 in.	Female	Converts 1 Fit 'N Forget to 1 incandescent
TRU95399	S/T/T	11.00 in.	Female	Converts 1 to 2 Fit 'N Forget



(TRU93745)



(TRU94789)



(TRU94706)



(TRU94768)



(TRU95399)

Fit 'N Forget® Marker Clearance Plugs

	Length	Plug	Termination
TRU94718	5 in.	Female	#10 Ring Terminal Ground (4-1/2 in.), 0.180 Moulded Bullet
TRU94861	5 in.	Female	#6 Ring Terminal Ground (4-1/2 in.), Heat Shrink Butt Splice
TRU94862	5 in.	Female	#6 Ring Terminal Ground (4-1/2 in.), 0.180 Moulded Bullet
TRU97005	5 in.	Female	(2) 0.180 Moulded Bullet
TRU97006	5 in.	Female	Heat Shrink Butt Splice Ground (4-1/2 in.), Heat Shrink Butt Splice
TRU94736	18 in.	Female	(2) 0.180 Moulded Bullet



(TRU94718)



(TRU94861)



(TRU94862)



(TRU97005)



(TRU97006)



(TRU94736)

Miscellaneous Plugs & Adapters

	Type	Additional
TRU96106	Plug, 2 Pin Right Angle, Female	Used with Male Pin Lamps
TRU97340	35 Series Dual-Function Pigtail, 11-1/2 in.	Male/Female Bullet to (1) Male Fit'N Forget & (1) Female Fit'N Forget; Used to Turn Marker Lamps to Brake Lamps



(TRU96106)



(TRU97340)

Harnesses

LHT

Truck-Lite

Pigtails

Truck-Lite

Fit 'N Forget® S/T/T Plug

	Length	Plug	Termination
TRU95424	6-1/2 in.	Female	(3) Blunt Cut
TRU94707	8.00 in.	Female	(2) Blunt Cut, #10 Ring Terminal Ground



(TRU95424)



(TRU94707)

Marker Clearance Socket TRU94940



Application: Use with 18300R/Y & 25760 Bulbs

Color	Plug	Termination	Length
White	Socket	Blunt Cut #10 Ring Terminal Ground	12 in.

License Lamp Plug TRU94923



Type	Plug	Termination	Length
Straight	Female	Blunt Cut	18 in.

Fit 'N Forget® S/T TRU94759



Length	Termination
8 in.	(2) 6/32 in. Wire Strip, #6 Ground Terminal

Harnesses

LHT

More Information

www.MyAuroraPlus.com

For information on a specific trailer use VIN Search on www.MyAuroraPlus.com. Just fill in the manufacturer, type and VIN number. The website will provide a diagram for your selection to narrow the location of interest.



Pigtails

UBLights

Single Contact Right Angle Pigtail LHTPT6020



Length	Termination
6 in.	Blunt Cut, #10 Ring Terminal

Double Contact Right Angle Pigtail LHTPT9530



Length	Termination
9 in.	(2) Blunt Cut, #10 Ring Terminal

Flatbed

Pigtails

	For
TSCPQA-091	Marker Light
TSCPQA-333	ID Marker Rear
TSCPQA-334	Corner Rear
TSCPQA-425	Midturn



(TSCPQA-091)



(TSCPQA-333)



(TSCPQA-334)



(TSCPQA-425)

Harnesses

LHT

Transcraft

More Information

Truck-Lite Dielectric Grease



NYK-77 Compound

NYK-77 Compound is a dielectric grease used as a corrosive preventative for electrical contacts, switches & junction boxes. Dielectric material does not conduct electricity under normal circumstances.

Application

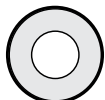
- Sealed Connections (such as Fit'N Forget™) - apply a very light coat of grease. Normally does not require re-application.
- Standard Connections (such as bullet terminal plugs) - apply a heavy amount of grease. Normally requires re-application occasionally.

TRU97940 can, 8 oz.
TRU97944 tube, 2 oz.

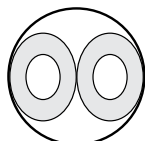
TRU98013 tube, 5 oz.
TRU97943 can, 1 qt.

Cable Wire

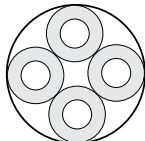
	Type	Gauge	Black	White	Red	Brown	Green	Yellow	Blue	Length	Additional
ELT1-3	1-Way	14					X			100 ft.	
ELT1-5	1-Way	14						X		100 ft.	
ELT1-10	1-Way	14	X							100 ft.	
ELT1-17	1-Way	14							X	100 ft.	
ELT1-23	1-Way	14				X				100 ft.	
ELT1-36	1-Way	14			X					100 ft.	
ELT1-43	1-Way	14		X						100 ft.	
ELT1-35	1-Way	16			X					100 ft.	
ELT2-4	2-Way	14	X	X						100 ft.	
PHI2-402	2-Way	(1) 14, (1) 2	X	X						100 ft.	
ELT2-1	4-Way	12	X	X	X	X				100 ft.	
ELT2-10	4-Way	14	X	X	X	X				100 ft.	
ELT2-21	6-Way	14	X	X	X	X	X	X		100 ft.	
PHI3-327	7-Way	(4) 12, (2) 10, (1) 8	X	X	X	X	X	X	X	100 ft.	ABS Cable
ELT2-3	7-Way	(6) 12, (1) 10	X	X	X	X	X	X	X	250 ft.	
ELT2-30	7-Way	(6) 12, (1) 10	X	X	X	X	X	X	X	100 ft.	
ELT2-33	7-Way	(6) 14, (1) 12	X	X	X	X	X	X	X	250 ft.	
ELT2-31	7-Way	14	X	X	X	X	X	X	X	100 ft.	



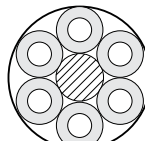
(1-Way)



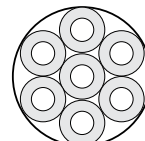
(2-Way)



(4-Way)



(6-Way)



(7-Way)

Wire Accessories

Butt Connectors

	Color	Gauge	Count	Packaging
ELT10-11	Yellow	12-14	100	Bag
PHI1-1861	Yellow	12-10	25	Bag
ELT10-10	Clear	16-14	100	Bag
GRT83-2350	Blue	16-14	100	
PHI1-1862	Blue	16-14	25	Bag
PHI1-1962J	Blue	16-14	100	Jar
PHI1-2062	Blue	16-14	100	Bag
PHI1-1863	Red	22-18	25	Bag



(ELT10-11)



(PHI1-1861)



(ELT10-10)



(GRT83-2350)



(PHI1-1862)



(PHI1-1962J)



(PHI1-2062)



(PHI1-1863)

Wire Accessories

Insulated Ring Terminal

	Color	Gauge	Stud Size	Count
ELT3-18	Red	16-14	10	100
PHI1-1923	Blue	16-14	10	25
PHI1-1933	Yellow	12-10	10	25



(ELT3-18)



(PHI1-1923)



(PHI1-1933)

Phillips

Split Loom

	Inner Diameter	Length
PHI5-536	1-3/8 in.	100 ft.



(PHI5-536)

Phillips

Wire Ties

	Color	Length	Count
ELT19-20A	Black	5 in.	100
ELT19-4	Clear	7-1/2 in.	50
ELT19-22A	Black	7-1/2 in.	100
ELT19-8	Natural	11 in.	50
ELT19-26A	Black	11-1/2 in.	100
ELT19-29	Black	14 in.	50
ELT19-29A	Black	14 in.	100
EPM05727	Black	14 in.	100
ELT19-24	Black	24 in.	50



Rubber Cushion Clamps

Size	
1/4 in.	PHI5-45124
3/8 in.	PHI5-46271



Phillips

Application: hanging split loom

Wire
LHT

PHILIPS

Flashers

12-Lamp Electromechanical

Additional	Terminal	
60 to 120 flashes per minute	2	GRT44530
60 to 120 flashes per minute	3	GRT44540

Grote



(GRT44530)



(GRT44540)

20-Lamp

Additional	Terminal	
70 to 120 flashes per minute	2	TRU282

Truck-Lite



Fuses

ATO

	Color	Type	Count
FUSATO10B	Red	10 amp	25
FUSATO15B	Blue	15 amp	25
FUSATO20B	Yellow	20 amp	25
FUSATO25B	Clear	25 amp	25
FUSATO30B	Green	30 amp	25



(FUSATO10B)



(FUSATO15B)



(FUSATO20B)



(FUSATO25B)



(FUSATO30B)

ATM - Mini Fuse

	Color	Type	Count
FUSMIN10B	Red	10 amp	25
FUSMIN15B	Blue	15 amp	25
FUSMIN20B	Yellow	20 amp	25
FUSMIN30B	Green	30 amp	25



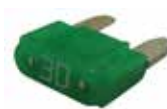
(FUSMIN10B)



(FUSMIN15B)



(FUSMIN20B)



(FUSMIN30B)

Definition

Electric Term

OHM: As electrons flow through conductors, they meet opposition, due to the collision between the electrons flowing and the electrons and atoms of the conductor. This opposition to current flow, called resistance, is measured in Ohms.

Electrical Accessories

LHT

Grote

Truck-Lite

Electrical

Switches

Cole Hersee



SPDT Toggle
COL55036-14-BP

PVC-Coated Housing

Cole Hersee



SPST Toggle
COL5582-10

Up: On, Down: Off
PVC coated with two 8 in. Wire Leads

Cole Hersee



Weatherproof Toggle Boot
COL81264

Material: Silicone

Fruehauf



Recessed Plate
FRU348917

15/32 in. with 32 Thread Mounting Stem

Fruehauf



On-Off Toggle
FRUACE9355-1

Standard handle
Screw terminals

Grote

Electronic Dome Lamp Switch
GRT44240



Full feature, Surface mount

Grote



Automatic Electronic Dome Lamp Switch
GRT44360

Timer is factory Pre-Set for 40 minutes

Grote



Toggle Switch Boot
GRT82-2106

Thread: 15/32 in.

Electrical Accessories

LHT

FRUEHAUF

Grote

Switches

Heavy Duty Toggle Switch
GRT82-2111



Grote

On/Off Weather Resistant
Lead: 8 in. 20 amp

Service Circuit Stoplight
MIDBE13250



Haldex

Pole Size: 1/4-18 NPTF Thread
Single Pole, Two Terminal

Electrical Accessories

LHT

Grote

Haldex

Safety 637-647

Back-Up Alarms	638
Conspicuity Tape	638-640
Dock Bumpers	640-641
Extruded	640
Laminated	640
Fiber-Reinforced	641
Fire Extinguishers	642
Flags & Banners	643-644
Banners	643
Flags	643-644
Placards	644-646
Placard Holders	644
Flip Placards	645
Accessories	646
Roadside Hazards	647
Tire Chains	647
Wheel Chocks	648

Security 648-660

Door Seals	648
Gladhand Locks	648
Kingpin Locks	649
Twistlocks	650-660

Accessories 661-682

Coil Racks	661
Decals	662-663
Document Holders	663-665
Fenders	665-667
Log Books	668
Mirrors	668
Mudflaps	669-678
Brackets	673-678
Tire Carriers	679
Vents	679-681
Wiper Blades	682

Back-Up Alarms

BAC-A-LARM

	Type
PRC230	12 VDC
PRC250	12-24 VDC

Compact size & universal mounting bracket; self grounding with stud terminal connections, sealed in epoxy against dust, moisture & vibration; 0.2 Amps



Conspicuity Tape

Diamond Grade™

Marking Series 963 & 983

	Color	Width	Length	Unit	Count	Additional
MMM983-71	Yellow	2 in.	150 ft.	Roll	1	
MMM983-72-2	Red	2 in.	150 ft.	Roll	1	
MMM983-10-2X18	White	2 in.	18 in.	Strips	100	
MMM983-10-2	White	2 in.	150 ft.	Roll	1	
MMM983-326-2	Red/White (6/6 in.)	2 in.	150 ft.	Roll	1	
MMM963-32-2	Red/White (11/7 in.)	2 in.	150 ft.	Roll	1	Flexible Prismatic
MMM983-32-2X18	Red/White (11/7 in.)	2 in.	18 in.	Strips	100	
MMM983-32-2	Red/White (11/7 in.)	2 in.	150 ft.	Roll	1	
MMM983-32-2X18KC	Red/White (11/7 in.)	2 in.	150 ft.	Kiss-Cut Roll	1	Cut at 18.00 in.



(MMM983-71)



(MMM983-72-2)



(MMM983-10-2X18)



(MMM983-10-2)



(MMM983-326-2/
MMM983-32-2)



(MMM983-32-2X18/
MMM983-32-2X18KC)

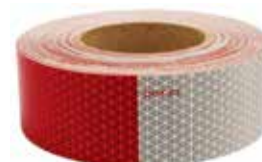
963 - 5 year warranty, non-prorated
983 - 7 year warranty, non-prorated

3M

V92 Daybright DOT

	Color	Width	Length	Unit
REF18796	White	2 in.	150 ft.	Roll
REF18806	Red/White (11/7 in.)	2 in.	150 ft.	Roll

Daytime white appearance; highest nighttime reflectivity in the industry; single layer construction; thin & flexible for easy application



(REF18806)

Orafol

3M

Safety

SFT

ORAFOL

Safety

638

800.621.7949

= Key Items

www.AuroraParts.com



3M Science.
Applied to Life.™

**Sometimes visibility
is a moving target.**

At night, large moving vehicles must be highly visible so other drivers can make quick, accurate decisions. In all types of conditions, the high reflectivity and wide angularity of 3M™ Diamond Grade™ Conspicuity Markings help to ensure superior brightness. These markings are strong, rigid and corrosion-resistant with a high performance adhesive that sticks securely to trucks, trailers and emergency vehicles. Helping drivers see large vehicles helps make roads safer for everyone.

For over 75 years, 3M has been at the forefront of road safety innovation. 3M.com/RoadSafety

Conspicuity Tape

V82 DOT

	Color	Width	Length	Unit
REF18352	Red/White (11/7 in.)	2 in.	18 in.	Strips
REF18686	Red/White (11/7 in.)	2 in.	150 ft.	Roll
REF19160	Red/White (7/11 in.)	2 in.	150 ft.	Roll
REF18347	White	2 in.	12 in.	Strips



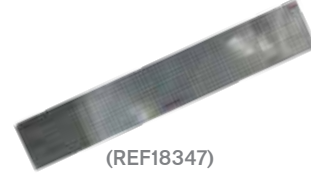
(REF18352)



(REF18686)



(REF19160)



(REF18347)

Highest nighttime reflectivity; exceeds minimum requirements by 200%; single layer construction; thin & flexible for easy application

Orafol

Signal-Stat Economy Tape

Color	Length	Unit	
Red/White	150 ft.	Roll	TRU37



Truck-Lite

Flexible prismatic conspicuity tape; tough, durable film resists cracking & lifting; impact resistant; reflects light at all application angles on the roadway

Dock Bumpers

Extruded

Part Number	Width	Height	Length	Number of Bolt Holes
IMXD-312	3 in.	3 in.	12 in.	2
IMXD-324	3 in.	3 in.	24 in.	4
BUYD324	3 in.	3 in.	24 in.	4
IMXD-412	4 in.	4 in.	12 in.	2
IMXD-424	4 in.	4 in.	24 in.	
IMXD-472	4 in.	4 in.	72 in.	



Undrilled



Drilled

Laminated

	Width	Height	Length	Mount
IMXGT-2109	2-3/4 in.	3 in.	6 in.	Stud
IMXGT-2107	3-1/4 in.	2-3/4 in.	6-1/8 in.	Stud
IMXGT-2101	4 in.	4 in.	6 in.	Bolt-On
FRUXUB7259	4 in.	-	15 in.	Bolt-On



Bolt-On



Stud

Dock Bumpers

Fiber-Reinforced

Part Number	Width	Height	Length	Number of Bolt Holes	Bolt Center	Cross Reference
GDA42800101	2 in.	3 in.	10 in.		7 in.	
IMXGT-2042	2-3/8 in.	2 in.	7-3/8 in.	2	4-5/8 in.	
IMXGT-2312	2-3/8 in.	3-1/4 in.	6 in.	2	2-5/8 in.	
IMXGT-2041	2-1/2 in.	2 in.	16 in.	3	6-1/2 in.	
BUYB52641	2-1/2 in.	3-1/4 in.	6-3/4 in.		3-3/4 in.	Great Dane# 035-25182
IMXGT-2345	2-5/8 in.	3-1/4 in.	6 in.	2	3-1/2 in.	
IMXGT-UTM214	2-5/8 in.	3-1/2 in.	4-5/8 in.	2		Utility# 03-1250-214
IMXGT-2044	2-3/4 in.	3 in.	6 in.	2	2-5/8 in.	
DBR-GD02	2-3/4 in.	3-3/8 in.	5-5/8 in.	2	2-1/2 in.	Great Dane# 41700303
DBR-CC01	2-7/8 in.	3-1/4 in.	6 in.	2	2-1/2 in.	
IMXGT-2006	3 in.	3-1/2 in.	6 in.	2	3 in.	
IMXGT-2038	3 in.	4-1/4 in.	6 in.	2	1-3/4 in.	
BUF4502-1276	3 in.	6 in.	3 in.			
BUYB5500	3 in.	6 in.	3-1/2 in.			
FRUXCF9657-1	3-1/8 in.	3-1/4 in.	3-7/8 in.	2	2 in.	
WAB21400380	3-1/2 in.	3-1/2 in.	5-5/8 in.	2	3-1/2 in.	
DBR-UT01	3-5/8 in.	3-1/2 in.	6-1/8 in.	2	3-1/2 in.	Utility# JK3915
IMXGT-UTM006	3-5/8 in.	3-1/2 in.	6-1/8 in.	2	3-1/2 in.	
JKG3781	3-5/8 in.	3-1/2 in.	6-1/8 in.	2	3-1/2 in.	
IMXGT-UTM259	3-5/8 in.	4 in.	6-1/8 in.	2	3-1/2 in.	Utility# 03-1250-259
IMXGT-UTM172	3-5/8 in.	4-1/2 in.	6-1/8 in.	2	3-1/2 in.	Utility# 03-1250-0-172
JKG3630	3-5/8 in.	4-1/2 in.	6-1/8 in.	2		
IMXGT-2027	3-3/4 in.	4-1/2 in.	5-1/8 in.	2	3-1/2 in.	
IMXGT-2043	4 in.	3-1/4 in.	6 in.	2	2-1/2 in.	BBTP4800-0007
TSCPBA-687	4-3/8 in.	2-1/2 in.	12-1/4 in.	3		
IMXGT-2036	5-1/4 in.	3-5/8 in.	8 in.	4	5-1/2 in.	
IMXGT-2045	5-1/2 in.	3-5/8 in.	7-5/8 in.	4	3 in.	
IMXGT-2046	6 in.	8 in.	3 in.	4	3-1/8 in.	



(IMXGT-2042)



(IMXGT-2041)



(IMXGT-UTM172)



(IMXGT-2043)



(IMXGT-2036)



(IMXGT-2046)

More Information

www.MyAuroraPlus.com

Need more information on a particular trailer? Log into www.MyAuroraPlus.com for Aurora's Graphical Bill of Material (GBOM). Easily point and click through visual elements of a trailer to drill down to an individual trailer part.



Safety

SFT



Fire Extinguishers

ABC Automotive

	Weight	Bracket	Fire Class
WLK440162	2-1/2 lbs.	Plastic Bracket	ABC
WLK440161	2-3/4 lbs.	Steel Strap	BC
WLK466425	5 lbs.	Bracket	ABC
SFP13415D	2-1/2 lbs.	Steel Strap	BC



(WLK440162) (WLK440161) (WLK466425) (SFP13415D)

Fire Extinguisher Inside DEC1-5



Fire Extinguisher Inside LABMPDFL1000



Bright, bold lettering is printed with fade-resistant UV inks on exterior grade vinyl with permanent adhesive backing; Measures 1-3/4 in. x 10 in.

Mounting Bracket WLK420118



For 2-1/2 to 2-3/4 lbs. fire extinguishers; bracket only

More Information

Fire Extinguisher Classes

Class A fire consists of ordinary combustibles or fibrous materials such as wood, paper, cloth, rubber, and some plastics. To extinguish, cool the material below its ignition temperature and soak the fibers to prevent re-ignition. Extinguishers appropriate for Class A fires include water, foam, loaded stream, or multipurpose dry chemical.

Class B fire is fueled by flammable or combustible liquids, gases, grease or similar material such as gasoline, kerosene, paint thinners and propane. It can be extinguished by removing the oxygen, preventing vapors from reaching an ignition source or otherwise inhibiting the chain reaction. Extinguishers appropriate for Class B fires include Halon, HCF 125 (clean agents), carbon dioxide, dry chemicals, foam, or loaded stream.

Class C fires involve energized electrical equipment like appliances, panel boxes, and power tools. The extinguisher used must not be capable of conducting electrical currents. If you can first remove the power, you can extinguish the fire like any other fire in Class A, B, or D. Extinguishers appropriate for Class C fires include Halon, carbon dioxide, or multipurpose dry chemical.

Class D fires involve certain combustible metals such as magnesium, titanium, potassium, and sodium. They react violently to water and certain other chemicals. Combustible metals must be extinguished using dry powders specifically designed for use on that metal.

Flags & Banners

Vinyl Banner

	Height	Length	Text
MCAAV102	18 in.	84 in.	WIDE LOAD/ OVERSIZE LOAD
MCAAV104	18 in.	84 in.	OVERSIZE LOAD
MCACV102	12 in.	72 in.	WIDE LOAD/ OVERSIZE LOAD



(MCAAV102/
MCAAV104)



(MCACV102)

Ms. Carita

Mesh Banner

	Width	Length	
	84 in.	18 in.	MCAAVM104
	72 in.	12 in.	MCACVM104



Ms. Carita

9 oz. Vinyl-coated polyester & allows up to 30% air flow for less wind resistance; finished top & bottom with edge binding

Vinyl Wide Load Banner MSPWIDELOAD



Ms. Carita

Oversize load banner; with four grommets & four 42 in. ropes; 7 in. X 18 in.

Mesh Oversize Load Banner JJK678-R



J.J. Keller

Vinyl coated 1000 denier polyester mesh fabric; UV stabilized to prevent fading; 12 ft. ropes sewn into top and bottom; 7 ft. x 18 in.

Flag-Mag MCAMF101



Ms. Carita

For attaching flags to machinery & flat steel surfaces; chrome cup magnet has 85 lbs. Of pull on 1/2 in. steel; filled with extra epoxy for heavy-duty use; includes hardware

Staff Flag

	Type	
	Flourescent Red Mesh	ACR49893-13



Ancra

heavy-duty mesh flag with 3/4 in. x 30 in. wooden dowel; 18 in. x 18 in.

Bungee Flag

	Type	
	Orange Mesh	MCAFB300C



Ms. Carita

Built in heavy duty bungee cords and flexible welting; 18 in. x 18 in.

Safety


SFT

J.J. Keller & Associates, Inc.
Since 1952

Flags & Banners

Staff Flag

Type
Red Jersey **MCAFS300C**





Ms Carita

Staffs are 3/4 in. X 30 in. Wood dowels; sewn pockets; 18 in. X 18 in.

Wire Loop Flag

Type
Red Jersey **MCAFW300C**
Flo-Orange Mesh **MCAFW400C**






Ms. Carita

18 in. x 18 in.

Warning Flag

Type
Dowel **MSP18X18FWD**
2 Grommets **MSP18X18FWG**

J.J. Keller

Nylon mesh; 18 in. X 18 in., Red

High-Visibility Warning Flag

Type
Cotton **KIN9122**



Kinedyne

Mounted on a steel wire rod; 18 in. X 18 in.

Placards

Placard Holder

	Color	Type	Back Plate
IMXGT-1100	Aluminum	Full	Yes
IMXGT-1100A	Aluminum	4 Clipped Corners	Yes
IMXGT-1101	White	Full	Yes
JJK3-TPH	Stainless Steel	Full	Yes
JJK4-TPH	Aluminum	Full	No
LAB80-SM-S	Aluminum	Split Frame	Yes
LAB80SMWCC97	White	2 Clipped Corners	Yes
LAB80SMW-S97	White	Split Frame	Yes



Safety

SFT

LABELMASTER

Placards

Flip	Color	Blank	Corrosive 8	Combustible 3	Dangerous	Explosive 1.4	Flammable 3	Flammable Gas 2	Flammable Liquid 3	Inhalation Solid 4	Miscellaneous Hazard 2 & 6	Non-Flammable Gas 2	Oxidizer 5.1	Poison 6	Radioactive 7	Type
IMXGT-1150	Aluminum	X	X	X	X	X	X				X	X	X	X		Full
IMXGT-1150W	White	X	X	X	X	X	X				X	X	X	X		Full
IMXGT-1151	Aluminum	X		X	X	X	X				X	X	X	X		Full
IMXGT-1151W	White	X		X	X	X	X				X	X	X	X		Full
LAB126-CT	Aluminum	X	X	X		X						X				Full
LAB126-CTP	Aluminum	X	X	X		X		X	X		X	X				Full
LAB21-8C	Aluminum	X	X	X			X	X	X	X	X	X	X			Full
LAB81-8FO	Aluminum	X	X	X		X	X				X	X	X	X		Full
LAB81-8SFO	Aluminum	X	X	X		X	X				X	X	X	X		Split
LAB81-8WFO	White	X	X	X		X	X				X	X	X	X		Full
LAB81-8WSFO	White	X	X	X		X	X				X	X	X	X		Split



(IMXGT-1150)



(IMXGT-1150W)



(IMXGT-1151)



(IMXGT-1151W)



(LAB126-CT)



(LAB126-CTP)



(LAB21-8C)



(LAB81-8FO)



(LAB81-8SFO)



(LAB81-8WFO)



(LAB81-8WSFO)

17 Legend Flip Placard

LAB20HM206



- Includes:
- Dangerous
 - Flammable Gas 2
 - Poison 6
 - Non-Flammable Gas 2
 - Corrosive 8
 - Flammable Liquid 3
 - Oxidizer 5.1
 - Organic Peroxide 5.2
 - Explosive 1.4
 - Spontaneously Combustible 4
 - Flammable Solid 4
 - Inhalation 6
 - Dangerous When Wet 4
 - Blasting Agents 1.5D
 - Miscellaneous 9
 - PG III
 - Inhalation 2
 - Blank

Label Master

Placards

Replacement Clip
IMXGT-1111



Includes: (2) Rivets

Spring Clip Arm
JJK13073



J.J. Keller

Material: Stainless Steel

Replacement Clip
LAB81-CLIP



Label Master

Clip is made out of stainless steel for durability and can be used to replace a clip on all Spacemaster and Duo-Flip DOT placarding systems.

Clear Placard Holder Shield
LAB80SM-03



Label Master

Constructed of sturdy .03-mil extruded plastic, this shield helps protect metal, tagboard and rigid vinyl placards from falling or blowing out of placard holders

Placard Bracket
WAB251S0052



Wabash

Placard Bracket
WAB251S0087GALV



Wabash

Material: Galvanized Steel

LabelMaster

Safety

SFT



More Information

Hazardous Materials

Class	Material Type
1	Explosives
2	Gas, Non-Flammable Oxygen, Flammable Gas & Poison Gas
3	Flammable, Combustible
4	Flammable Solid, Spontaneously & Dangerous When Wet

Class	Material Type
5	Oxidizer, Organic Peroxide
6	Poison & Inhalation Hazard
7	Radioactive
8	Corrosive
9	Not Required For Domestic Transportation

Roadside Hazards

Triangle Kit

	Type
JKG1005	Kit
JKG1005-CASE	Case Only

Kit of three triangles in a high-density plastic case; set-up requires no tools; self-contained unit needs no power source; 18-3/4 in. x 5 in. x 4-3/4 in.; Meets DOT standard FMVSS 125



J.J. Keller

Orion® Red Safety Flares

	Time	Type
FUS720	20 min.	Red Flare, No Spike / No Stand
FUS730	30 min.	Red Flare, No Spike / No Stand
FUS2730	30 min.	Red Flare, Spike

Unique, patented PlasTcaps have a non-roll feature, ignite easily & continue to burn in all kinds of weather



Leak Detector SSC3-C



3 Minute Smoke Candle

KING

Safety

SFT

KINEDYNE
The Original Custom Fit

Tire Chains

Grip Link Tire Chain

	Type
KIN15400PK	1 Pair in 1 Pair

V-Bar cross chains; four tensioning cams on the outside; 11 in. x 22-1/2 in.



Kinedyne

Wheel Chocks

Rubber

Part Number	Depth	Height	Length	Weight	Eyebolt	Additional
IMXGT-2048	8 in.	5-3/4 in.	9-1/2 in.	9 lbs.	Yes	
JKG3046	8 in.	6 in.	9 in.	6 lbs.	Yes	
IMXGT-2055	8 in.	6 in.	9-1/2 in.	9 lbs.	Yes	Sharp Steps For Better Grip
IMXGT-2047	7-3/4 in.	5-1/2 in.	9-1/2 in.	7 lbs.	Yes	Non-Skid Bottom
IMXGT-2049				11 lbs.		Moded Handle On Back



(IMXGT-2048)



(JKG3046)



(IMXGT-2055)



(IMXGT-2047)



(IMXGT-2049)

Door Seals

Plastic Trailer Seal JJK003TS



Protects cargo against tampering & theft
Material: High-Density Polyethylene
Color: Red

Heavy Duty Metal Seal JJK221



Protects cargo against tampering & theft
Material: Tin-Plated Steel

Gladhand Locks

Keyed
Different
Alike #151
MSPGHLOCK
MSPGHLOCKKEYALIKE



Economy IMXGT-7200



Keyed Alike K-611; indestructible plastic body;
stainless steel & zinc plated hardware

Security

SFT

J. J. Keller & Associates, Inc.
Since 1953

Kingpin Locks

Economy

	Type	Key
IMXGT-7201	Steel	
IMXGT-7202-01	Iron	01
IMXGT-7202-02	Iron	02
IMXGT-7202-05	Heavy Duty	05



(IMXGT-7201)



(IMXGT-7202-01/
IMXGT-7202-02)

Replacement Key

IMXGT-7202-01K

IMXGT-7202-02K

IMXGT-7202-05K

	Type	Key
WARTKP-10DPS	Display Pack	
WARTKP-10DPL25014	Keyed Alike	25014



(WARTKP-10)



(WARTKP-10KEYALIKE)

Cast steel & designed for dropped/untethered trailers; conical design gives it light-weight & is wide enough to deflect the fifth wheel plate of a tractor

War-Lok

Accessories

Out of Service Tag JJKED-14-TG



J.J. Keller

Size: 6-1/4 in. x 3-1/2 in.

Application Information Gladhand & Kingpin Locks

Gladhand Locks

This lock acts like a harness around the emergency gladhand which must be removed before the emergency brakes on the trailer are released.

Kingpin Locks

This lock prevents unauthorized hookups to any fifth wheel trailer & simply surrounds the kingpin preventing theft and/or unwanted movement.

Twistlocks

Assemblies

Chassis Type

Type	Chassis Type
Retractable	TWL-TL004
Non-Retractable	TWL-TL001



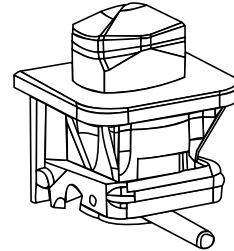
Replacement Parts

Pro-Fit

Handle TWL-HA001	Pin TWL-PT007
Latch TWL-LA002	Spring TWL-HD008

Type

Type	Chassis Type
Retractable	TWL-TL005
Non-Retractable	TWL-TL006

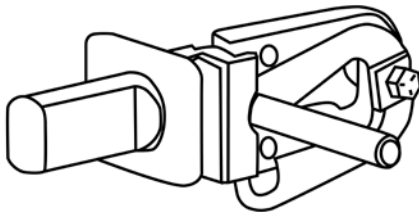


Replacement Parts

Pro-Fit

Handle TWL-HA001 TWL-HA023	Pin TWL-PT007 Spring TWL-HD008
---	---

Pinlock
TWL-PL001



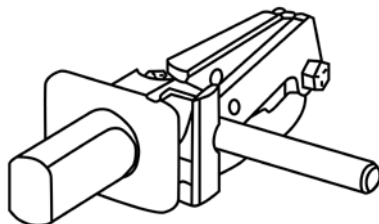
Replacement Parts

Pro-Fit

Handle TWL-HA006	Pin TWL-PP001
Latch TWL-LA004	

Pinlock

Location	Chassis Type
Front Roadside	TWL-PL003
Front Curbside	TWL-PL002



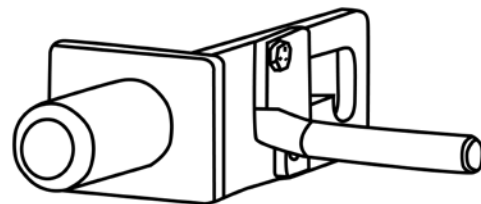
Replacement Parts

Pro-Fit

Handle TWL-HA006	Pin TWL-PP001
Latch TWL-LA001	

Pinlock

Location	Chassis Type
Front Roadside	TWL-PL004
Front Curbside	TWL-PL006



Replacement Parts

Pro-Fit

Handle TWL-HA056	Pin TWL-PP018
Latch TWL-LA007	

Security

SFT



Security

650

800.621.7949

= Key Items

www.AuroraParts.com



TOCA Industry Technologies, Inc., is proud to be a Aurora Parts business partner.

TOCA has been supplying heavy duty semi-trailer & container chassis original equipment manufacturers, and after-market components for nearly 30 years.

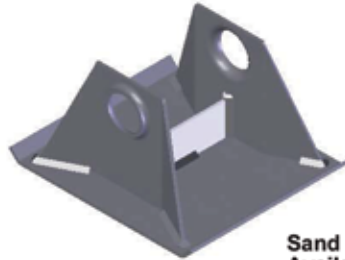
Our continually expanding product offering is driven by our customer's needs and are among the largest variety of such parts available from a single supplier.

Examples of a few product types below.



Crank Handles Available In

- Horizontal or Vertical
- Several Model to choose from



Sand Shoes & Axles Available In

- High or Low profile
- Tubular or Solid
- Several Model to choose from



Adjustable Braces Available In

- Standard or Heavy Duty
- Several Model to choose from



Cross Shaft Available In

- One Piece or Adjustable
- Several Model to choose from



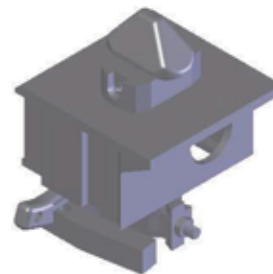
Brace Ears Available In

- Several Model to choose from



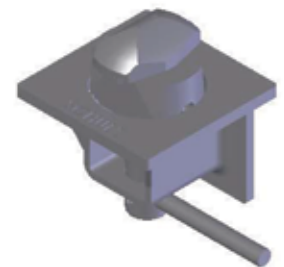
Front Pinlock Assemblies Available In

- Handed or Non-Handed versions
- Several Model to choose from



Twist Lock Assemblies Available In

- Retractable or Non-Retractable versions
- Handed or Non-Handed versions
- Several Model to choose from

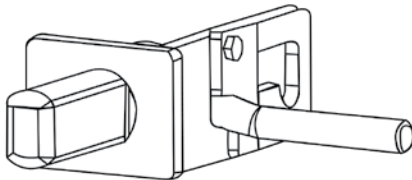


Twistlocks

Assemblies

Pinlock

Location	Part Number
Front Roadside	TWL-PL016
Front Curbside	TWL-PL017



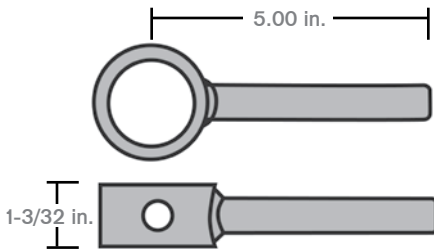
Replacement Parts

Handle	Pin
TWL-HA056	TWL-PP024
Latch	
TWL-LA007	

Pro-Fit

Handles

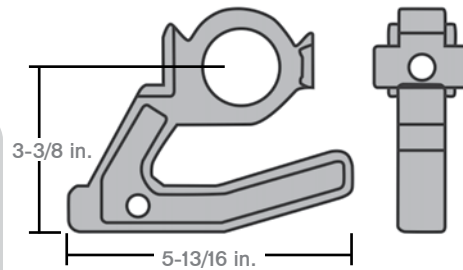
TWL-HA001



Material: Steel with Zinc Plate
Fits: TWL-TL001

Pro-Fit

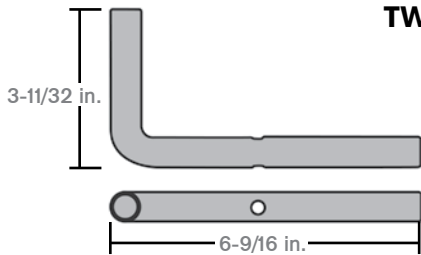
TWL-HA002



Material: Steel
Fits: TWL-TL074

Pro-Fit

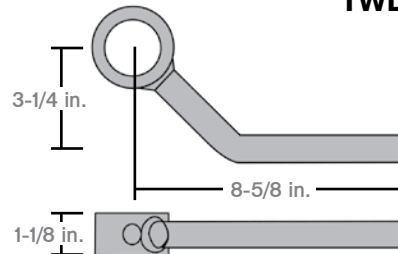
TWL-HA003



Material: Steel with Zinc Plate
Fits: TWL-TL008, TWL-TL011

Pro-Fit

TWL-HA004



Material: Hot rolled steel with primer finish

Pro-Fit

Security

SFT



Twistlocks

Handles

TWL-HA006

Pro-Fit

Material: Steel with Zinc Plate
Fits: TWL-PL001

TWL-HA009

Pro-Fit

Material: Hot Rolled Steel with Primer Finish

TWL-HA010

Pro-Fit

Material: Steel
Fits: TWL-PT022, TWL-PT023

Westlake Style Handle

Type	Part Number
Left Hand	TWL-HA011
Right Hand	TWL-HA012

Pro-Fit

Material: Hot Rolled Steel

TWL-HA013

Pro-Fit

Material: Steel
Fits: TWL-PT010

Location	Part Number
Left	TWL-HA018
Right	TWL-HA016

Pro-Fit

Material: Steel
Fits: TWL-PT052, TWL-PT012

Location	Part Number
Left	TWL-HA025
Right	TWL-HA019

Pro-Fit

Material: Steel with Zinc Plate
Fits: TWL-PT067

Location	Part Number
Left	TWL-HA021
Right	TWL-HA157

Pro-Fit

Material: Steel
Fits: TWL-PT012

Security

SFT



Twistlocks

Handles

TWL-HA022

12.00 in.

1-1/4 in.

Pro-Fit

Material: Hot rolled steel with primer finish
Fits: TWL-PL008, TWL-PL018

TWL-HA023

2-13/16 in.

3-1/32 in.

1-3/23 in.

Pro-Fit

Material: Steel with Zinc Plated
Fits: TWL-TL014, TWL-TL055

TWL-HA027

6.00 in.

9/16 in.

Pro-Fit

Material: Steel
Fits: TWL-PL019, TWL-PL020

TWL-HA028
TWL-HA040

Location
 Left
 Right

4-13/32 in.

3-21/32 in.

5-7/8 in.

Pro-Fit

Material: Steel
Fits: TWL-PT013, TWL-PT103

TWL-HA051

5/8 in.

2-1/8 in.

9 in.

Pro-Fit

Material: Steel
Fits: TWL-PP019, TWL-PP020

TWL-HA156

2-27/32 in.

1-27/32 in.

1-3/32 in.

Pro-Fit

Material: Steel with Zinc Plated
Fits: TWL-TL062, TWL-TL063

Latches

Safety
TWL-LA001

11/16 in.

4-13/16 in.

Pro-Fit

Material: Steel with Zinc Plate
Fits: TWL-PL002, TWL-PL003

Safety
TWL-LA002

4-5/32 in.

4-7/8 in.

Pro-Fit

Material: Steel with Primer Finish
Fits: TWL-TL001, TWL-TL004

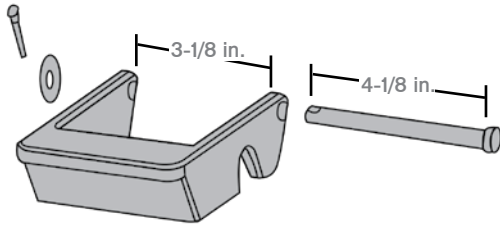
SFT Security



Twistlocks

Latches

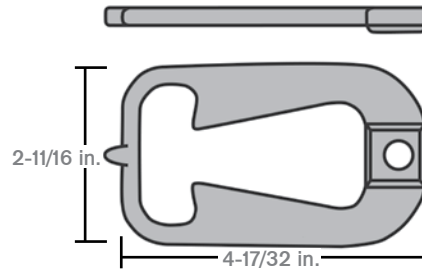
**Assembly
TWL-LA003**



Pro-Fit

Material: Steel
Fits: TWL-PT018

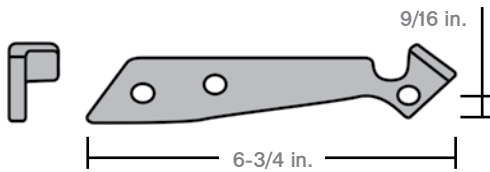
**Safety
TWL-LA004**



Pro-Fit

Material: Steel with Primer Finish
Fits: TWL-PL001

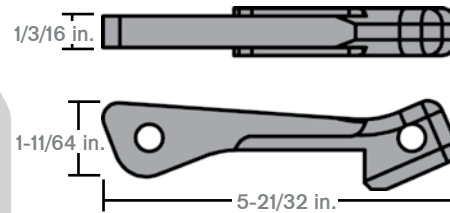
TWL-LA005



Pro-Fit

Material: Steel with Zinc Plate

**Lock
TWL-LA006**

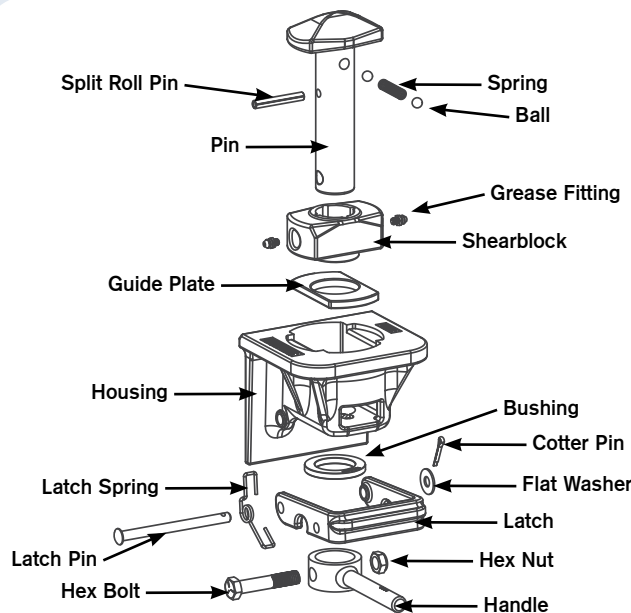


Pro-Fit

Material: Steel
Fits: TWL-TL016, TWL-TL033

Tech Tip

Twistlock Identification



Security

SFT



Twistlocks

Latches

Safety
TWL-LA007

Pro-Fit

Material: Steel with Zinc Plate
Fits: TWL-PL004, TWL-PL006

Safety
TWL-LA010

Pro-Fit

Material: Steel with Zinc Plate
Fits: TWL-PL010, TWL-PL011

Safety
TWL-LA011

Pro-Fit

Material: Steel with Primer Finish
Fits: TWL-TL008, TWL-TL011

TWL-LA012

Pro-Fit

Material: Steel
Fits: PEN90-14

Retaining
TWL-LA013

Pro-Fit

Material: Ductile Iron with Primer Finish
Fits: TWL-PL008, TWL-PL018

TWL-LA019

Pro-Fit

Material: Steel
Fits: TWL-TL020, TWL-TL021, TWL-TL023, TWL-TL024, TWL-TL073

TWL-LA020
TWL-LA021

Pro-Fit

Material: Steel

TWL-LA023

Pro-Fit

Material: Steel with Zinc Plated
Fits: TWL-HA003, TWL-TL016, TWL-TL037

Security

SFT



Twistlocks

Latches

Tab
TWL-LA025

1-5/16 in.

1-1/2 in.

Pro-Fit

Material: Steel with Zinc Plated

Latches
TWL-LA026

1-1/32 in.

1-13/32 in.

5-11/16 in.

Pro-fit

Material: Steel

TWL-LA052

1 in.

4-5/8 in.

Pro-Fit

Material: Steel

TWL-LA053

2 in.

3-7/16 in.

Pro-Fit

Material: Steel
Fits: TWL-PL010, TWLPL011

Latches

TWL-LA065

2-3/4 in.

3-1/4 in.

Pro-Fit

Material: Galvanized Steel

Pins

TWL-PP001

1.00 in.

5-1/4 in.

Pro-Fit

Material: Steel
Fits: TWL-PL001, TWL-PL002, TWL-PL003

Pins

TWL-PP003

7-1/4 in.

1-1/2 in.

Pro-Fit

Material: Steel
Fits: TWL-HA022

TWL-PP007
TWL-PP004

Location
Left
Right

5-5/16 in.

1-1/2 in.

Pro-Fit

Material: Steel
Fits: TWL-PP004, TWL-PP007

Security

SFT



Twistlocks

Pins

	Location	
	Left	TWL-PP019
	Right	TWL-PP020

Pro-Fit

Material: Steel

Pro-Fit

Material: Steel with Primer Finish
Fits: Schulz F33NS-LP

Pro-Fit

Material: Steel with Primer Finish
Fits: TWL-HA003, TWL-LA023, TWL-TL008, TWL-TL011

Pro-Fit

Material: Steel

Pro-Fit

Material: Ductile Iron with Primer Finish

Pro-Fit

Material: Steel with Primer Finish

Pro-Fit

Material: Steel

Pro-Fit

Material: Steel
Fits: TWL-DL001, TWL-DL002, TWL-TL071, TWL-TL072

Security

SFT



Security

658

800.621.7949

= Key Items

www.AuroraParts.com

Twistlocks

Pins

TWL-PT010

Material: Ductile Iron with Primer Finish
Fits: Penz 90-03

TWL-PT012

Material: Steel

TWL-PT013

Material: Steel
Fits: Westlake 85-2/3

TWL-PT042

Material: Steel

Additional Components

Detent Ball TWL-HD003

Material: Chrome Alloy
Size: 11mm
Cross: Schulz 905-000-195

Detent Ball TWL-HD006

Material: Steel
Size: 10mm

Spring TWL-HD001

Material: Stainless Steel

Spring TWL-HD004

Material: Spring Steel
Fits: 1102-1257, 1102-1259, 1102-3259

Security

SFT



Twistlocks

Additional Components

TWL-HD008

Material: Spring Steel

**Clevis Pin
TWL-HD002**

**Latch Pin
TWL-HD007**

Fits: 3133, 3187, 3189, 3190, 3533-90

**Split Roll Pin
TWL-HD012**

Material:
Fits: 1129, 3133, 3190, 3523, 3590

**Guide Plate
TWL-HD005**

Non-Screwdown Only
Fits: 3500, 3600, 3700

**Guide Plate
TWL-HD031**

For Pinlock House

More Information

www.MyAuroraPlus.com

Twistlock & Pinlock Components

Need more information on a particular twistlock? Log into www.MyAuroraPlus.com for Aurora's Graphical Bill of Material (GBOM). Easily point and click through our twistlocks to drill down to an individual assembly or component.




Security

SFT




Coil Racks

Type
Standard **KIN8656**
Heavy Duty **KIN80044**




Material: Steel
Size: 33-1/4 in. x 2-3/4 in. x 2-7/8 in.

Light Duty
CRG-LDCOIL




Material: Steel

Coil Mat
CRG-COILMAT




Material: Rubber
Size: 5 in. x 48 in.

Coil Felt Pad
CRG-FELTPAD



Material: Felt
Size: 8 in. x 12 in. x 1/4 in.

Coil Timber
WDS5-1



Bevel Edge
Size: 48 in. x 4 in. x 4 in.

Kinedyne

Accessories



SFT



Decals

Fire Extinguisher Inside
DEC1-5



Pro-Par Logo
DEC1-21



Pro-Par

Color: White
Size: 3-11/16 in. x 11 in.

Annual Vehicle Inspection

Type
Aluminum Label w/ Punch Boxes **JJK54-SN**
Clear Overlay **JJK2402**



J.J. Keller

Fire Extinguisher Inside
LABMPDFL1000



Label Master

Bright, bold lettering is printed with fade-resistant UV inks on exterior grade vinyl with permanent adhesive backing; Measures 1-3/4 in. x 10 in.

ABS Sticker
PET2954



Peterson

Size: 4 in. x 1-1/4 in.

Wabash Logo
WAB25000010



Wabash

Size: 8 in. x 10 in.

ABS Sticker
WAB25000719



Wabash

Size: 2-3/4 in. x 1-1/8 in.

J.J. Keller & Associates, Inc. Since 1953

LABELMASTER

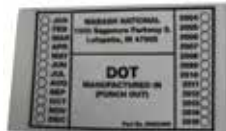
Accessories

SFT

WABASH

Decals

Replacement DOT WAB25000869



Warning: This decal is to be used on Wabash National or Fruehauf brand trailers built after January 25th, 1998. It is not to be used on any other manufacturer's trailers or bumpers. It is only to be used as a replacement for an original bumper decal that has been damaged. It may only be applied to original bumpers that have been repaired or replaced to original manufacturer condition.

California Legal Real Axle Location WAB25000874



2-1/2 in. x 4 in.

Wide Turn

Part Number	Height	Width
DEC1-2		
LABRT-14	10-1/2 in.	13-1/4 in.
LABRT-18	14 in.	18 in.
SAFSB-STK-401		8 in.



(DEC1-2)



(LABRT-14 / LABRT-18)



(SAFSB-STK-401)

Document Holders

Certificate Holder

	Diameter	Height	Color
IMXGT-1001	5 in.	1-43/64 in.	Gray
IMXGT-1007	5 in.	2 in.	Gray
TRU97960	5-7/32 in.	2-5/32 in.	Gray
FLT022-01175	5-1/4 in.		Gray
OPTDH55	5-1/2 in.	2-1/8 in.	Gray
OPTDH55Y	5-1/2 in.	2-1/8 in.	Yellow
BETPS1			Gray
PHI16-802			Gray
GRT43901	6-1/2 in.	1-11/16 in.	Gray

Replacement Parts

Replacement Lid & Seal:	IMXGT-1004
Replacement Lid:	IMXGT-1008
Replacement Lid:	TRU97962
Replacement Lid:	FLT022-01180
Replacement Lid:	BETPS71
Replacement Lid:	PHI16-801
Replacement Lid:	GRT93351



(IMXGT-1001)



(IMXGT-1007)



(TRU97960)



(FLT022-01175)



(OPTDH55)



(BETPS1)



(PHI16-802)



(GRT43901)

Document Holders

Manifest Box

	Width	Height	Length	Material	Color
IMXGT-1002A	8 in.	1-1/2 in.	13 in.	Aluminum	
IMXGT-1002WHT	8 in.	1-1/2 in.	13 in.	Aluminum	White
PEN10-01	8-3/8 in.	1-1/2 in.	13-3/8 in.	Aluminum	



(IMXGT-1002A)



(IMXGT-1002WHT)



(PEN10-01)

Replacement Parts

Clip: **PEN10-01-D**

Record Box

	Width	Height	Length	Lid
IMXGT-1055	10 in.	1-1/4 in.	15 in.	Flip
JKG550	10 in.	1-1/4 in.	15 in.	Flip
IMXGT-1050	11-1/2 in.	1-1/2 in.	16 in.	Side
JKG500	11-1/2 in.	1-1/2 in.	16 in.	Side



(IMXGT-1055)



(JKG550)



(IMXGT-1050)



(JKG500)

Replacement Lid

JKGJK500LID-ONLY

Security Box

	Width	Height	Length	Additional
JKG300	5-1/4 in.	2 in.	7 in.	
IMXGT-1006A	5-1/4 in.	2 in.	7 in.	
JKG350	5-1/4 in.	2 in.	7 in.	Xenoy
IMXGT-1035	5-1/4 in.	2 in.	7 in.	Xenoy



(JKG300)



(IMXGT-1006A)



(JKG350)



(IMXGT-1035)

Replacement Lid

JKG300-LID
IMXGT-1009
JKG350-LID

Tube Box

	Diameter	Length
IMXGT-1003	1-1/2 in.	9 in.
TIS158-CK		



(IMXGT-1003)



(TIS158-CK)

Replacement Lid

IMXGT-1005
TIS158-E

Accessories

SFT

XING

Document Holders

Flexi 2-V Document Holder
FLC2-V



Permit Holder
GRT43411



Registration Holder
JJK1RSP-DD

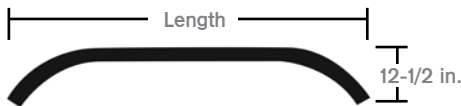


Fenders

Aluminum Fenders

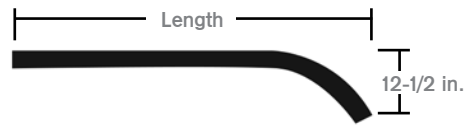
Rear

	Length
FRUTKA9275	93 in.
FRUTKA9275-1	99 in.
FRUTKA9275-2	112 in.
FRUTKA9275-5	142 in.



Front

	Length
FRUTKA9281-1	135 in.
FRUTKA9281-2	145 in.
FRUTKA9281-6	175 in.



Full Round

Spray Mate Polypropylene, Black

	Info
FLT034-01520	Single Fender
FLT031-01520	Pair of Fenders (2) FLT034-01520

Lightweight, high density polypropylene material; fade resistance; unaffected by heat & cold; support straps on the underside of the fender



Fleet Engineers

Accessories



SFT



Fenders

Quarter Fenders

Air Slipper

	Color
FLT031-00400	Black
FLT031-00402	Stainless Steel



Smooth surface with large radiused side flanges; heavy-duty reinforcement plate supports from the underside; universal fitting; pre-assembled for speedy installation; kit includes: 1-right & 1-left fender assembly with hanger clamps & hardware

Fleet Engineers

Air Slipper Two

	Location	Includes
FLT031-00406		(1) Roadside Fender, (1) Curbside Fender, Hanger Clamps & Hardware
FLT034-00731	Roadside	
FLT034-00732	Curbside	

One-piece injection molded; 25 in. width increases tire coverage & greatly reduces spray, stones & other deflections; unaffected by heat & cold



Fleet Engineers

Standard FLT031-01070



Fleet Engineers

Flattened tube design requires no cradle or braces; hidden mounting bolts; reinforcement strap on underside of fender; package set includes one right & one left fender with hanger clamps & hardware plus white top flaps & top flap hardware; pre-assembled for speedy installation; Stainless Steel

High Performance JKG1900KIT



James King

Braceless design; curved surfaces to hold spray & stones to a minimum; guaranteed not to chip, crack, or break; Black; set with top flap

Fenders

Accessories

U Bolt Mounting Kit FLL1715-11MM



Post Mount Socket

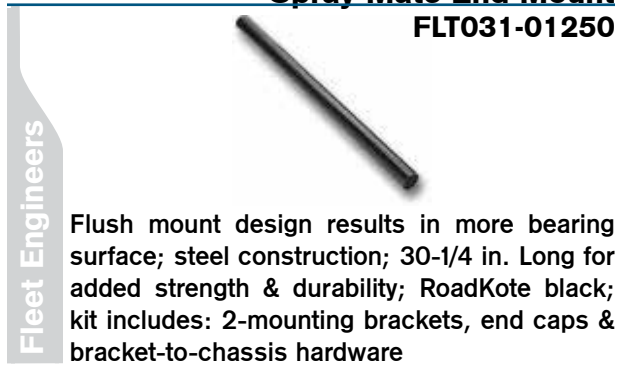
Includes	Type	
2-Post Mount Sockets	Kit	FLT031-00235
	Individual Socket	FLT032-00199



Spray Mate Mount Support FLT031-00823



Spray Mate End Mount FLT031-01250



Quarter Fender Top Flap

	Color	Material	Width	Height	Type
FLT031-00242	Black	Rubber	24 in.	6 in.	Kit: (2) flaps, (8) nuts, (8) bolts, (8) washers
FLT033-00430	Black	Poly	24 in.	5 in.	Kit: (2) flaps, (8) nuts, (8) bolts, (8) washers
IMXGT-2406	Black	Rubber	24 in.	6 in.	
IMXGT-2406PSB	Black	Poly	24 in.	6 in.	
IMXGT-2406PSW	White	Poly	24 in.	6 in.	



More Information

www.MyAuroraPlus.com

Need more information on a particular trailer? Log into www.MyAuroraPlus.com for Aurora's Graphical Bill of Material (GBOM). Easily point and click through visual elements of a trailer to drill down to an individual trailer part.

Log Books

JJK2PLYCARBON-12B



Duplicate

Annual Vehicle Inspection Report

JJK200-FS-C3



3-ply, with carbon; snap-out format
Complies with DOT \$396.21

Vehicle Inspection

JJKWW-400-FS-C3



3-ply, Carbonless

DOT Inspection Tag

JJK49-SN



Material: Vinyl w/ Mylar Laminate
Size: 5 in. x 4 in.

Mirrors

Round Convex

	Diameter	Color	Mounting	"L" Bracket
TRU97815	7-1/2 in.	Stainless Steel	5/16 in. Female Stud	Included
TRU97814	8-1/2 in.	Stainless Steel	Offset 5/16 in. Female Stud	Included
TRU97804	8-1/2 in.	Black	5/16 in. Female Stud	Included
TRU97803	8-1/2 in.	Stainless Steel	5/16 in. Female Stud	Included



(TRU97815/
TRU97803)



(TRU97814)



(TRU97804)

Truck-Lite

Quick Reference

Mudflap Mounting Kits

Part Number	Size
BESB516P	Single Kit
IMXGT-27516BUCKET	50 Kits

Kit Includes:

4 Bolts, 4 Lock Washers, 4 Nuts & 8 Flat Washers

Mudflaps

Plastic

Wide Turn

	Type	Color	Thickness	Width	Height
SPL99-12	Straight	Yellow	3/16 in.	24 in.	19 in.
SPL99-13	Straight	Yellow	3/16 in.	24 in.	24 in.
SPL99-10	Right Hand Angle	Yellow	3/16 in.	24 in.	24 in.
SPL99-9	Left Hand Angle	Yellow	3/16 in.	24 in.	24 in.
SPL99-17	Straight	Yellow	3/16 in.	24 in.	27 in.
SPL99-18	Two Side Angle	Yellow	3/16 in.	24 in.	27 in.
SPL99-45	Straight	Yellow	3/16 in.	24 in.	29 in.
SPL99-11	Straight	Yellow	3/16 in.	24 in.	30 in.
SPL99-8	Straight	Yellow	3/16 in.	24 in.	36 in.



(SPL99-12/
SPL99-13/
SPL99-17/
SPL99-45/
SPL99-8)



(SPL99-10)



(SPL99-9)



(SPL99-18)

Wabash Logo

	Type	Color	Thickness	Width	Height
SPL2-3	Straight	Black	1/4 in.	24 in.	30 in.
SPL2-5	Straight	Black	5/16 in.	24 in.	30 in.



Polyguard

Anti-Spray Heavy Duty

	Type	Color	Thickness	Width	Height
IMXGT-2424PHDB	Straight	Black	3/8 in.	24 in.	24 in.
IMXGT-2424PHDW	Straight	White	3/8 in.	24 in.	24 in.
IMXGT-2430PHDB	Straight	Black	3/8 in.	24 in.	30 in.
IMXGT-2430PHDW	Straight	White	3/8 in.	24 in.	30 in.
IMXGT-2436PHDB	Straight	Black	3/8 in.	24 in.	36 in.
IMXGT-2436PHDW	Straight	White	3/8 in.	24 in.	36 in.



Channeled back reduces spray; special combo of polymers prevents sail, curling & cracking

Accessories

SFT

Mudflaps

Polyguard

Anti-Spray Medium

	Type	Color	Thickness	Width	Height	Notes
IMXGT-2418PPSW	Straight	White	1/4 in.	24 in.	18 in.	
IMXGT-2424PPSBLAC	Left Angle	Black	1/4 in.	24 in.	24 in.	
IMXGT-2424PPSBRAC	Right Angle	Black	1/4 in.	24 in.	24 in.	
IMXGT-2424PPSB	Straight	Black	1/4 in.	24 in.	24 in.	
IMXGT-2424PPSW	Straight	White	1/4 in.	24 in.	24 in.	
IMXGT-2427PPSB	Straight	Black	1/4 in.	24 in.	27 in.	
IMXGT-2427PPSW	Straight	White	1/4 in.	24 in.	27 in.	
IMXGT-2428PPSBS	Straight	Black	1/4 in.	24 in.	28 in.	with Hole
IMXGT-2428PPSW	Straight	White	1/4 in.	24 in.	28 in.	
IMXGT-2430PPSB	Straight	Black	1/4 in.	24 in.	30 in.	
IMXGT-2430PPSW	Straight	White	1/4 in.	24 in.	30 in.	
IMXGT-2436PPSB	Straight	Black	1/4 in.	24 in.	36 in.	
IMXGT-2436PPSW	Straight	White	1/4 in.	24 in.	36 in.	

Channeled back reduces spray; special combo of polymers prevents sail, curling & cracking



Standard

	Type	Color	Thickness	Width	Height
IMXGT-2424PSB	Straight	Black	3/16 in.	24 in.	24 in.
IMXGT-2424PSW	Straight	White	3/16 in.	24 in.	24 in.
IMXGT-2430PSB	Straight	Black	3/16 in.	24 in.	30 in.
IMXGT-2430PSW	Straight	White	3/16 in.	24 in.	30 in.
IMXGT-2436PSB	Straight	Black	3/16 in.	24 in.	36 in.
IMXGT-2436PSW	Straight	White	3/16 in.	24 in.	36 in.

Economic; special combo of polymers prevent sail, curling & cracking



Standard With Etching & Hole

Height	Width	Part Number
24 in.	24 in.	SPL99-72NOLOGO
30 in.	24 in.	SPL99-70NOLOGO



Tireplast Heavy-Duty

Height	Width	Thickness	Part Number
30 in.	24 in.	1/4 in.	IMXGT-2430TPPSB
30 in.	24 in.	3/8 in.	IMXGT-2430TPHDB



Thermo plastic rubber; anit-curling attributes of a rubber flap; stiff anti-sail features of a poly flap; ribbed back for anti-spray; Black

Accessories

SFT

Mudflaps

Rubber

Anti-Spray Heavy Duty

	Type	Color	Thickness	Width	Height
IMXGT-2424HD	Straight	Black	1/2 in.	24 in.	24 in.
IMXGT-2430HD	Straight	Black	1/2 in.	24 in.	30 in.
IMXGT-2436HD	Straight	Black	1/2 in.	24 in.	36 in.



Fiber reinforced rubber; raised knobs on back for anti-spray

Anti-Spray Quick Change

Height	Width	Thickness	Color	
30 in.	24 in.	1 in.	Black	SPL5-3



All-rubber mudflap that features the easy two-step quick changeability plus finger-like projections directing spray downward while the built-in side ridges prevent lateral spary


Anti-Spray Safety

Height	Width	Thickness	Color	
30 in.	24 in.	1/2 in.	Black	KON082430C
36 in.	24 in.	1/2 in.	Black	KON082436C



Ultra rubber, tough anti-spray & anti-sail performance; finger-like projections keep spray & stones to a minimum

Chevron

	Type	Color	Thickness	Width	Height
IMXGT-2424CD	Straight	Black	1/4 in.	24 in.	24 in.
IMXGT-2430CD	 Straight	Black	1/4 in.	24 in.	30 in.
IMXGT-2436CD	Straight	Black	1/4 in.	24 in.	36 in.



100% fiber reinforced rubber; economy style flap; equipped with mounting holes for angle bracket

Standard

	Type	Color	Thickness	Width	Height
IMXGT-2418S	Straight	Black	5/16 in.	24 in.	18 in.
IMXGT-1924S	Straight	Black	5/16 in.	19 in.	24 in.
IMXGT-2424S	Straight	Black	5/16 in.	24 in.	24 in.
IMXGT-2430S	Straight	Black	5/16 in.	24 in.	30 in.
IMXGT-2436S	Straight	Black	5/16 in.	24 in.	36 in.



Bordered edge gives clean look; preferred flap for custom logos; fiber reinforced rubber

Accessories

SFT

Mudflaps

Rubber

Fruehauf Logo

Height	Width	Thickness	Color	
42 in.	24 in.	1 in.	Black	SPL1-26



High Tensile Strength

	Type	Color	Thickness	Width	Height
IMXGT-2424X	Straight	Black	3/8 in.	24 in.	24 in.
IMXGT-2430X	Straight	Black	3/8 in.	24 in.	30 in.
IMXGT-2436X	Straight	Black	3/8 in.	24 in.	36 in.
IMXGT-2440X	Straight	Black	3/8 in.	24 in.	40 in.
IMXGT-2442X	Straight	Black	3/8 in.	24 in.	42 in.



Molded from high tensile strength rubber; triple layer strength; stiffer flap prevents waving; equipped with mounting holes for angle bracket

More Information

Custom Mudflaps

Guidelines

- 200 each minimum order
- There is an artwork charge for each sample that will have a proof made. Order must be placed within a 2 week period.
- There will be a one time setup fee for each order.
- Lead time is approximately 4-6 weeks upon receipt of order & signed approval of mudflap.

Polyguard Flaps		
Hot Stamp Colors	Flap	Imprint
Red (P 187)		
Blue (P 286)		
Dark Blue (P 282)		
Light Blue (P 299)		
Dark Green (P 350)		
Yellow (P 123)		
Orange (P 166)		
Burgundy (P 188)		
Green (P 349)		
Dark Brown (P 497C)		
Brown (P 4635)		
Teal (P 322)		
Gray (P Cool Gray 9 C)		
Silver (P 877C)		
Gold (P 871C)		
Tan (P 4655C)		
Black		
White		
Custom Colors Available		

Ordering

To order custom mudflaps, please call us at 800-621-7949 with the following information:

Flap Type _____

Flap Size _____

Order Quantity _____

Rubber Flaps		
Silkscreen Colors	Flap Color	Imprint
Red (Pantone 185 C)	N/A	
Blue (Pantone 2945 C)	N/A	
Yellow (Pantone 115 C)	N/A	
Green (Pantone 3298 C)	N/A	
Orange (Pantone 1655 C)	N/A	
Gray (P Cool Gray 5 C)	N/A	
Black		N/A
White	N/A	

Mudflap Brackets

Bar

Straight

	Type	Bar Size	Includes
BESB23	Standard Kit	0.640	(2) Brackets + (2) Mounting Brackets BETB-711 + Adjustable Clips + (2) Cotter Pin + Mounting Hardware
BESB25	Standard Kit	0.640	(2) Brackets + (2) Mounting Brackets BETB-711 + Adjustable Clips + (2) Cotter Pin + Mounting Hardware
BESA25RL	Display	0.640	(40) Brackets & (1) Small Betts Barrel
BESA25RLB-40	Bulk	0.640	(40) Brackets



(BESB-23)



(BESB-25)



(BESA25RL)

BettsHD

Angled

	Type	Includes
BESB33	Standard Kit	(2) Brackets + (2) Mounting Bracket BETB-711 + Adjustable Clips + (2) Cotter Pin + Mounting Hardware
BESB35	Standard Kit	(2) Brackets + (2) Mounting Bracket BETB-711 + Adjustable Clips + (2) Cotter Pin + Mounting Hardware
BESA35RL	Display	(40) Brackets + (1) Small Betts Barrel
BESA35RLB-40	Bulk	(40) Brackets
BESA81RL	Extra Heavy Duty	



(BESB33)



(BESB35)

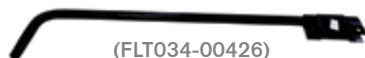


(BESA35RL)

BettsHD

Fleet Engineers

	Type	Additional Info
FLT034-00426	Bracket	Straight
FLT031-00125	Bracket Set	Right Angle; Includes Two Arms, Mounting Sockets & Mounting Hardware



(FLT034-00426)

Fleet Engineers

Spring Loaded

Fleet Engineers Straight

	Color	Includes	Additional
FLT033-00270	Black	End Caps + Mounting Hardware + (2) Brackets	
FLT033-00868	Black	End Caps + Mounting Hardware + (2) Brackets	Heavy Duty



(FLT033-00270)



(FLT033-00868)

Fleet Engineers



ELIMINATE MUD FLAP LOSS



Our trailer mud flap retention system features innovative spring steel mounting brackets, coupled with either our DirectFlex® mud flap hangers or our spring loaded mud flap hangers.

It's easy to install and virtually eliminates mud flap loss - it's the ideal way to ensure safe and legal operation while on the road.

- ✓ **Reduce CSA Violations**
aka Mud Flap Missing (392.2WC)
- ✓ **No More Cutting & Welding**
Makes Roadside & Driver Repair Possible
- ✓ **Lower Costs**
Minimize Downtime & Repairs



BEFORE



AFTER

Can you afford *NOT* to try it?
877-843-5195

Visit BettsHD.com
for our full line of heavy duty spray
suppression and conspicuity products

Mudflap Brackets

Spring Loaded

Hellcat® Straight

	Conspicuity Tape	Type	Includes
FLT033-04993	Yes	Kit	(2) Brackets + Reflectors + Mounting Hardware + End Caps + Plastic Snap Rivets + Plugs



Fleet Engineers

Betts Straight

	Conspicuity Tape	Type	Includes
BESB573025NTBK	No	Kit	(2) Brackets + (4) Stud Nuts + Mounting Hardware
BESB573025WTBK	Yes	Kit	(2) Brackets + (4) Stud Nuts + Mounting Hardware



(BETB573025NTBK)

(BETB573025WTBK)

Betts

Betts Tapered

	Conspicuity Tape	Type	Includes
BESB703000RTSK	Yes	Kit	(2) Brackets + (2) BESRT25RL Conspicuity Strips + (4) Stud Nuts + Mounting Hardware



Betts

Betts Angle

	Conspicuity Tape	Type	Includes
BESB673025NTBK	No	Kit	(2) Brackets + (4) Stud Nuts + Mounting Hardware
BESB673025WTBK	Yes	Kit	(2) Brackets + (4) Stud Nuts + Mounting Hardware



(BETB67025NTBK)

(BETB67025WTBK)

Betts

Fleet Engineers Angle

	Color	Includes
FLT033-00864	Black	(2) Brackets + Mounting Hardware + End Caps



(FLT033-00864)

Fleet Engineers

Accessories

FLEET ENGINEERS

SFT

BettsHD

Mudflap Brackets

Fixed

Bolting Plate
BUF2002-2866



Material: Steel
Size: 27-1/2 in. x 2-1/4 in.

Mounting Angle

Info	
Mounting Angle	FLT033-00051
Retaining Strap for FLT033-00051	FLT033-00053



(FLT033-00051)

1/8 in. Thick, heavy-duty steel construction; black primer finish; 2 in. X 2 in. x 27-1/2 in.

Mudflap Bracket
IMXGT-3000



30 in.; 10 Gauge

Mudflap Bracket
PEN07-50



27-1/2 in. X 2-1/8 in.

Flap Bracket
FRUFCF6215-1



Length: 26-3/4 in.

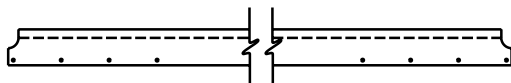
Quick Change Mounting Bracket
FRUJNE0536-1



Provides easy-on, easy-off convenience for Nyracord quick change mudflaps; 24-1/4 in.

Flap Bracket

Size	
4 in.	WAB02600005
6-1/2 in.	WAB02600196



Length: 100 in.

Flap Retainer

Includes	Type	
-	Bracket	WAB02600007
(1) Bracket + (4) Locknuts + (4) Carriage Bolts	Kit	SPLMFAHWFLAP



2 in. x 22-1/2 in.

BUFFERS USA

FLEET ENGINEERS

SFT

WABASH

Accessories

Mudflap Brackets

Fixed

Flap Bracket

Location	
Roadside	WAB02600050
Curbside	WAB02600051



Length: 30 in.

Flap Bracket

WAB02600724



Bolt On
Length: 100 in.

Accessories

Standard Mounting Bracket

	Type	Hole Centers	Includes
BESB711	Bracket	1-7/8 in.	
BESK711	Kit	1-7/8 in.	(2) Brackets + Mounting Hardware
BESB1732	Bracket	2-7/8 in.	
BESK1732	Kit	2-7/8 in.	(2) Brackets + Mounting Hardware

One-piece, cast steel, heavy duty mounting bracket; designed to fit all Betts standard mudflap hangers; same high quality finish as Betts hangers & painted to match

BettsHD



(BESB711)



(BESB1732)

Mounting Kit - Standard FLT031-00896

Fleet Engineers



Includes: (2) Brackets & Mounting Hardware

Conspicuity Top Mounted Mudflap

Type	
Straight	JKG2800
Angled	JKG2845

James King



(JKG2800)



(JKG2845)

Accessories

SFT
FLEET ENGINEERS

Mudflap Brackets

Accessories

Universal Conspicuity Plate

Type	
Straight	FLT033-04259
Shortie	FLT033-04263



(FLT033-04259)



(FLT033-04263)

Fleet Engineers

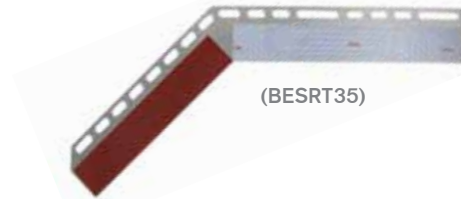
Aluminum; reflective tape attached

Conspicuity Reflector Set

Type	
Straight	BESRT25
Angled	BESRT35



(BESRT25)



(BESRT35)

Betts

Standard Anti-Sail Bracket

Material	
Chrome	FLT033-00075
Galvanized	FLT033-00078
Steel Painted Black	FLT033-00079



Fleet Engineers

Steel construction, 5/16 in. diameter wire; 3/8 in. diameter mounting eyes; fits standard 24 in. wide mud flaps; accepts mud flaps up to 1 in. thick

Flap Mounting Bolt Kit

Count	
Single Kit	BESB516P
50 Kits	IMXGT-27516BUCKET



(IMXGT-27516BUCKET)



(BETB-516)

- Kit Includes: 4 Bolts, 4 Lock Washers, 4 Nuts & 8 Flat Washers

Tire Carriers

**Binkley Style
PRO-TC3**



Pro-Par

Mounting Hardware Not Included
Hardware Kit: HOLCP3473

**Basket Type
PRO-TC4**

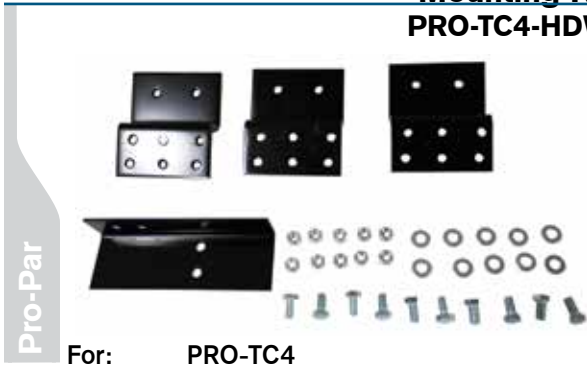


Pro-Par

Accessories

Mounting Kit
PRO-TC4-HDW

**Mounting Kit
PRO-TC4-HDW**



Pro-Par

For: PRO-TC4

**Binkley Style
UNFTC3**



Vents

**Dry Freight
FLT024-02501**



Fleet Engineers

Double seal foamed door; one piece anodized aluminum frame for strength & easy installation; anti-intrusion screen for security, also allows more air flow; 17 in. x 11-3/8 in., White

**Louvered Vent
IMXGT-1105**



Slide by vent; 10-1/2 in. X 12 in.; Aluminum

**Double Seal Rigid
PENP-1052S-SBHW-S**



Penz

Stainless steel; bottom hinged; aluminum safety screen; 2# density rigid polyurethane foam; refrigerated trailer vent; outside size: 5-1/4 in. X 19-1/8in.

PENP-1076ALUMBH



Penz

All aluminum construction with stainless steel hardware; bottom hinged; waterproof construction; aluminum safety screen; 6-3/4 in. x 17-1/4 in., Mill Finish

Accessories



SFT



Accessories



Penz

PRODUCTS, INC.

SERVING THE TRUCK TRAILER AND CONTAINER INDUSTRY
FOR OVER 60 YEARS

(574) 255-4736 1320 S. Merrifield Ave Mishawaka, Indiana 46544



Vents

PENP-1077WHTBHW-S



Penz

All aluminum construction with stainless steel hardware; bottom hinged; waterproof construction; aluminum safety screen; 11-1/2 in. x 17-1/4 in., White

**Double Seal Flexible
PENP-2200SS-SCR-HL**



Penz

2# density flexible polyurethane foam; refrigerated trailer vent; side hinge; stainless steel; 7-1/2 in. x 20 in.; screen included

Accessories

Door Plunger & Socket

Type	
Female	IMXGT-1309
Male	IMXGT-1310



(IMXGT-1309)



(IMXGT-1310)

Material: Rubber
Hansen #38-R mated

Vent Door Plunger & Socket

Size	Type	
1-5/8 in.	Socket	IMXGT-1315
	Plunger	IMXGT-1308



(IMXGT-1315)



(IMXGT-1308)

Material: Galvanized Steel

Vent Latch

	Type	Material
PEN10-1300S-S	Belly Box	Stainless Steel
PEN10-1300Z-P	Belly Box	Zinc Plated
PEN10-1500S-S		Stainless Steel
PEN10-1900S-S		Stainless Steel
PEN10-1900Z-P		Zinc Plated



(Belly Box)



(Standard)

Penz

**T-Handle Door Latch
BUYL8815**



Accessories

SFT

Penz

Wiper Blades

Arctic Winter

	Length
ANO30-18	18 in.
ANO30-20	20 in.
ANO30-22	22 in.
ANO30-24	24 in.



30 Series; connectors that fit standard industry saddle widths; protective rubber cover to prevent snow/ice buildup on blade structure joints; all-weather performance

Federal-Mogul

Metal Structure

	Length
ANO31-16	16 in.
ANO31-18	18 in.
ANO31-20	20 in.
ANO31-22	22 in.
ANO31-24	24 in.



31 Series; Kwik connect; vented all-steel structure for aerodynamic performance; world-class exterior black finish

Federal-Mogul

Universal

	Length
ANO91-16	16 in.
ANO91-20	20 in.
ANO91-22	22 in.
ANO91-24	24 in.



91 Series; Kwik connect; exclusive DuraKlear rubber delivers smooth water removal, excellent visibility, and long-lasting performance; wrap-around claw design gives superior aerodynamics

Federal-Mogul

Arctic Winter

	Length
WIP20-AR	20 in.
WIP22-AR	22 in.
WIP24-AR	24 in.



Rugged steel construction will not twist, warp or crack; fully enclosed wiper keeps out ice, sleet & snow; extra large rubber wiper covers more surface area; quick & easy installation

Old World Ind.

All Season

	Length
WIP18-AS	18 in.
WIP20-AS	20 in.
WIP22-AS	22 in.
WIP24-AS	24 in.



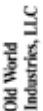
All metal frame construction; stainless steel spline; advanced rubber compound; high quality finish; quick & easy installation

Old World Ind.



Accessories

SFT



Chemicals 683-697

Body Cleaners	684-685
Foam Insulation	686
Fuel Supplements	687-690
Parts Cleaners	691-694
Trailer & Truck Fluids	695-697

Lubricants 698-708

Grease	698-701
Lube	702-705
Oil	706-708

Paints 709-712

Coatings	709
Paints	709-710
Primers	711
Reducers & Removers	711-712
Undercoats	712

Fasteners 713-742

Bolts	713-718
Nuts	719-721
Pins	722
Rivets	723-727
Screws	728-730
Washers	731-732
Tech Guide	733-742

Sealants & Adhesives 743-759

Caulks	743-747
Sealers	748-756
Tapes	756-759

Shop Supplies 760-764

Marketing	760-764
---------------------	---------

Tools 765-778

Abrasives	765-766
Cleaners	766-767
Personal Safety	768-771
Bits	772-774
Gauges	775
Trailer Tools	776-778

Body Cleaners

Exterior

Lucas Oil Products

Slick Mist Speed Wax LUC10160



- Traditional wax; Polymer paint gloss intensifier
- Quick detail spray or spray it on between rinsing & drying for the easiest polish job
- long lasting protection
- 24 oz. / 12 per case
- Application: Use on paint surfaces or on other surfaces such as glass, chrome & vinyl decals

Lucas Oil Products

Slick Mist Tire & Trim Shine LUC10513



- Spray exclusively formulated to give tires & trim a long lasting "like-new" shine
- Removes dull, grey oxidation
- 24 oz. / 12 per case
- Application: Use on bumpers, tires, plastic, or any rubber & vinyl trim

Clean-rite® Purple Power® Industrial Strength Cleaner CHM12320P



- Heavy duty truck wash concentrate
- Penetrates, loosens and instantly washes away oil, grease and road grime
- 1 gal. / 4 per case
- Application: Specially formulated for trailers brushless cleaning of trucks and trailers

Clean-rite® Purple Power® Aluminum Brightener CHM4120P



- Professional strength cleaner & brighteners
- Cuts grease & oil stains fast
- Restores metal to new look
- 1 gal. / 4 per case
- Application: Use on wheels; Do not use on glass

LUCAS OIL

Chemicals

SHP

More Information

Material Safety Data Sheet

Information:

SDS documents give detailed information about the nature of a chemical, such as physical and chemical properties, health, safety, fire, and environmental hazards of a chemical product.

Current:

Visit www.MyAuroraPlus.com to download up-to-date SDS Sheets. Found under the Inquiries tab.

SDS Contains:

- Chemical Identity
- Manufacturer's Information
- Hazardous Ingredients
- Physical/Chemical Characteristics
- Fire & Explosion Hazard Data
- Reactivity Data
- Health Hazard Data
- Precautions of Safe Handling & Use
- Control Measures

Body Cleaners

Interior

HydroForce Glass Cleaner
CRC14412



CRC Industries

- Professional strength glass cleaner; Aerosol
- Cuts through dirt, dust, fingerprints & haze deposits; Streak-free; Biodegradable
- 18 wt. oz. / 12 per case
- Application: Use on glass, stainless steel, polished metals, plastic, chrome & fiberglass

Slick Mist Interior Detailer
LUC10514



Lucas Oil

- Interior detailer formulated to clean & protect
- Spray on surfaces for a "like-new" look
- 24 oz. / 12 per case
- Application: Use on steering wheels, dashboards, seats, consoles, doors, & trim

Institutional Glass Cleaner
PROCH-GC01



Pro-Par

- Dissolves smudges, film, scum, smears and other soils
- Ammonia free
- 19 oz. / 12 per case
- Application: Use on windows, mirrors, glass and other glass surfaces

GUNK® Glass Cleaner
RADGC1



RSC

- All-purpose glass & hard surface cleaner
- Leaves no film or residue
- 19 oz. / 12 per case
- Application: Use on windshields, glass, mirrors, chrome, stainless steel & aluminum



Chemicals

SHP

See Trailer & Truck Fluids

Windshield

*Note: 1bdft = 1 in. x 12 in. x 12 in.

Foam Insulation

Handi-Foam

	Type	Coverage
FOMII-105	E-84 Class 1	105 bdft*
FOMII-205	E-84 Class 1	205 bdft*
FOMII-605	E-84 Class 1	605 bdft*
FOMII-12	Quick Cure	12 bdft*
FOMII-22	Quick Cure	22 bdft*



(FOMII-105 / FOMII-205)



(FOMII-22)

- Low pressure spray polyurethane foam
- Creates barrier that improves indoor air quality
- Dispensed using patented Handi-Gun® unit
- Varying coverages available
- Application: Use to fill & insulate large voids & surfaces



(FOMII-12)



(FOMII-605)

ICP Adhesives & Sealants

FROTH-PAK™ Foam Sealant

Part Number	Coverage
DOW12	12 bdft*
DOW200	200 bdft*
DOW620	620 bdft*

- Two-component, quick-cure polyurethane foam
- Provides a continuous barrier against air infiltration
- Helps seal out moisture, dust, pests and smoke
- Primarily used to seal gaps less than 4 in. wide
- Application: Use to fill cavities, penetrations and cracks



(DOW12)



(DOW200)

Dow Chemical

GREAT STUFF PRO™ Gaps & Cracks Insulating SHP48WK15



- Sprays right into gaps and cracks up to 1 in. in diameter
- Forms a long-lasting, airtight, water-resistant seal
- 12 wt oz
- Application: Adheres to wood, metal, masonry, glass and most plastics

Dow Chemical

ICP
ACCESSORIES

DOW
CHEMICALS

Chemicals

SHP

Fuel Supplements

Starting Fluid PNR5301



Penray

- Assures safe, fast, smooth start under any conditions
- Gives upper cylinder lubrication
- Saves on batteries, towing, & engine wear
- 11 oz / 12 per case
- Application: For gasoline & diesel engines

Booster & Starting Premium Starting Fluid PNR5315



Penray

- Extremely high ether content
- Gives fast & easy starts in seconds
- Saves battery, starters & engine wear
- 11 oz / 12 per case
- Application: Use in gasoline or diesel engines

Motor Medic Thrust Starting Fluid RADM3815



RSC

- Quick, smooth starting of all gasoline engines & diesel engines without glow plugs
- Effective to -65°F below zero
- 11 oz / 12 per case
- Application: Use in gasoline or diesel engines

Fuel Treatment with Injector Cleaners & Fuel Conditioner

Part Number	Size
LUC10020	5.25 oz. (24 per case)
LUC10003	1 qt. (12 per case)
LUC10013	1 gal. (4 per case)

- Allows the engine to operate at maximum efficiency
- Cleans & lubricates the carburetor & injectors
- Causes the fuel to burn more thoroughly for increased power & less fuel consumption
- Application: Formulated for both gasoline & diesel engines, carbureted or fuel injected



Fuel Injectors

Lucas Oil

Fuel Supplements

Fuel Injectors

Fuel Injector Cleaner PBB16-FIC



Blaster

- Treats 2 tanks of gas
- Improves gas mileage
- 13.5 fl oz / 12 per case
- Application: Clean & condition fuel injectors, fuel pumps & fuel systems

Winter

Starting Fluid PNR5301



Penray

- Assures safe, fast, smooth start under any conditions
- Gives upper cylinder lubrication
- Saves on batteries, towing, & engine wear
- 11 oz / 12 per case
- Application: For gasoline & diesel engines

Starting Fluid PNR5216



Penray

- Defrosts and melts ice from windshields, headlights and windows
- Thaws locks in extreme cold weather
- 12.3 oz / 12 per case
- Application: Use on windshields, headlights and windows

Premium Starting Fluid PNR5315



Penray

- Extremely high ether content
- Gives fast & easy starts in seconds
- Saves battery, starters & engine wear
- 11 oz / 12 per case
- Application: Use in gasoline or diesel engines

Air Brake Antifreeze PNR5632



Penray

- Air brake antifreeze; Dryer & rust protector
- Provides complete winter protection
- protects entire air brake system from corrosion
- 32 fl. oz. / 12 per case
- Application: Use in gasoline & diesel vehicles

BLASTER

PENRAY

Chemicals

SHP



WE'VE GOT YOU COVERED!



Fuel & Oil System Maintenance • Power Steering Maintenance • Transmission Maintenance
• Lubricants, Penetrants & Coatings • Electrical System Maintenance • Tire Inflators • Brake Cleaners &
Maintenance • Professional Installer Kits • Diesel Fuel Treatments & Cleaners • Cold Weather Products
& Diesel Treatments Cooling System: Filters, Cleaners, Additives & Test Strips • Specialty Cleaners

FIND PRODUCT



Scan code above or go to
<http://bit.ly/PenDistributor>

Formulated for the professional technician, our full line covers your service needs bumper to bumper. 67 years strong, Penray provides products ensuring satisfied customers, higher profits and repeat business!

For more information contact your local distributor or visit penray.com

Ph. 800.373.6729



Fuel Supplements

Winter

PEAK Premium Windshield Deicer & Cleaner WAS30F6



Old World Ind.

- Premium winter season formula
- Deices light ice & frost
- Effective to -30°F
- 1 gal / 6 per case
- Application: Use in any vehicle

Fleet Charge 50/50 OLDFCA053



Old World Ind.

- Pre-Diluted fully formulated coolant
- Diesel specific coolant
- 50/50 mix of coolant & deionized water
- 1 gal / 6 per case
- Application: Use in heavy duty cooling systems

Winter Pow-R Plus Diesel Fuel Treatment PNR202032



Penray

- Prevents gelling of diesel fuel
- reduces cold filter plug point by as much as 30°F
- Improves cold weather starting
- 32 fl oz / 12 per case
- Application: Use in diesel fuel

Winter Thaw Emergency Diesel Fuel Treatment PNR202132



Penray

- Emergency diesel fuel treatment
- Dissolves gelled fuel fast
- Prevents ice crystal build-up in fuel lines
- Treats up to 25 gallons of fuel
- 32 fl oz / 12 per case
- Application: Use in diesel fuel

Diesel Fuel Supplement + Cetane Booster PWS1025



Power Service

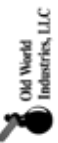
- Prevents fuel gelling & protects against fuel-filter icing
- 32 oz / 12 per case
- Application: Effective in all diesel fuels

MOTOR MEDIC® De-Icer for Auto & Truck RADDE1



RSC

- Defrosts windshields, wipers and windows instantly
- Helps free frozen locks
- Spray in advance to prevent frost formation
- 12 oz / 12 per case
- Application: Use on windshields, wipers and windows



Chemicals

SHP

Parts Cleaners

Battery Cleaners

Battery Protector
PNR7011



Penray Companies

- Battery cleaner & protector
- Seals out moisture & prevents corrosive build-up; Orange tinted to guide user
- 11.5 wt. oz. / 12 per case
- Application: Use on batteries & battery terminals

Battery Cleaner
PNR7012



Penray Companies

- Neutralizes harmful battery acid and helps dissolve common deposits
- 15 oz. / 12 per case
- Application: Use on batteries & battery terminals

RD 90 Lubricant
PROCH-LU01



Pro-Par

- Stops battery corrosion
- Dries out wet ignition systems and motors
- Prevents rust / displaces moisture
- 11 oz. / 12 per case
- Application: Use on batteries & battery terminals

Battery Protector & Sealer
PTX80370



Permatex

- Seals and coats battery terminals eliminating the formation of acid salt corrosion
- Prevents terminal corrosion and battery drain
- 15 oz. / 12 per case
- Application: Use on batteries, battery terminals, and cables, in or out of storage

Electronic Cleaner Contact Cleaner
RADNM6



RSC

- Penetrates hard-to-reach areas to safely dissolve dust, grease, flux and other contaminants
- Evaporates quickly and completely
- 6 oz.
- Application: Use on electronic components, sensors, and electrical connectors



Chemicals

SHP

Parts Cleaners

Brake Cleaners

Brakleen Chlorinated
CRC05089



CRC Industries

- Original brake parts cleaner; chlorinated
- Removes grease, brake dust, brake fluids, oils, & other contaminants
- 19 wt. oz. / 12 per case
- Application: Use on brake parts, lining & pads

Brakleen Non-Chlorinated
CRC05088



CRC Industries

- Brake parts cleaner; non-chlorinated
- Removes grease, brake dust, brake fluids, oils, & other contaminants
- 14 wt. oz. / 12 per case
- Application: Use on brake parts, lining & pads

Brakleen Non-Chlorinated
CRC05050



CRC Industries

- Brake parts cleaner; non-chlorinated formula meets VOC regulations in all 50 states
- POWERJET technology provides a powerful, spray that blasts away contaminants
- 14 wt. oz. / 12 per case
- Application: Use on brake parts, lining & pads

Chlorinated Brake Parts Cleaner
PROCH-BC01



Pro-Par

- Cleans fast - dries fast
- Removes brake fluid, grease and oil
- Leaves no residue, non-flammable
- 18.5 oz. / 12 per case
- Application: Use on brake parts, lining & pads

Non-Chlorinated Brake Parts Cleaner
PROCH-BC02



Pro-Par

- Cleans fast - dries fast
- Removes brake fluid, grease and oil
- High pressure spraying
- 14 oz. / 12 per case
- Application: Use on brake parts, lining & pads

Non-Chlorinated, Hexane Free Brake Parts Cleaner
PROCH-BC03



Pro-Par

- 45% VOC
- Instant evaporation
- 14 oz. / 12 per case
- Application: Use on brake parts, lining & pads



Chemicals

SHP

Parts Cleaners

**Non-Chlorinated, Hexane Free
Brake Parts Cleaner
PROCH-BC04**



Pro-Par

- 10% VOC
- Fast evaporation
- CA/OTC VOC compliant
- 15 oz. / 12 per case
- Application: Use on brake parts, lining & pads

**Non-Chlorinated Brake & Parts Cleaner
PTX82220**



Permatex

- Non-chlorinated brake & parts cleaner
- Penetrates, dissolves & removes dirt & oil
- 20 wt. oz. / 12 per case
- Application: Use on brake systems, tools & C.V. joints; safe to use on aluminum

Brake Cleaners

**Non-Chlorinated Brake Cleaner
PNR4620**



Penray Companies

- Non-chlorinated brake cleaner & degreaser
- Low VOC formula; Dissolves & removes grease, oil brake fluid & other contaminants
- 14 wt. oz. / 12 per case
- Application: Use on brakes, C.V joints & clutch components

**GUNK® Brake Parts Cleaner Chlorinated
RADM720**



RSC

- Brake parts cleaner; chlorinated;
- Quickly dissolves & flushes brake dust, brake fluid, grease & oil contaminants
- Non-flammable
- 19 wt. oz. / 12 per case
- Application: Use on brake part components

**GUNK® Brake Parts Cleaner
Non-Chlorinated
RADM715**



RSC

- Brake parts cleaner; non-chlorinated;
- Cleans and degreases brake linings, cylinders, drums, rotors, clutches & CV joints
- Brake & CV joint cleaner; aerosol
- 14 wt. oz. / 12 per case
- Application: Use on brake part components



Chemicals

SHP

Parts Cleaners

Machinery Cleaners

Lectra-Motive Electric Parts Cleaner

CRC05018



CRC Industries

- Electric parts cleaner; non-flammable
- Dissolves grease, oil, dirt, & wax without having to remove parts
- 19 wt. oz. / 12 per case
- Application: Use on air tools, bearings, cables, solenoids & other electric parts

GUNK® Carburetor Parts Cleaner

RADM4814



RSC

- Carburetor parts cleaner; non-chlorinated
- Removes dirt, varnish, gum & sludge
- 12.5 wt. oz. / 12 per case
- Application: Use on carburetors & combustion chamber of gasoline engines

GUNK® Engine Degreaser

RADEB1



RSC

- Original engine degreaser; fast-acting
- Removes tough grease & oil build-up
- 15 wt. oz. / 12 per case
- Application: Use on engine & engine components

GUNK® Industrial Contact Cleaner

RADPD11CC



RSC

- Protects sensitive electronic components
- Penetrates hard-to-reach areas to safely dissolve dirt, grease & other contaminants
- 11 wt. oz. / 12 per case
- Application: Use on electrical components, connectors, contacts & electrical motors



Chemicals

SHP

Trailer & Truck Fluids

Antifreeze

Air Brake Antifreeze PNR5632



Penray

- Air brake antifreeze; Dryer & rust protector
- Provides complete winter protection
- protects entire air brake system from corrosion
- 32 fl. oz. / 12 per case
- Application: Use in gasoline & diesel vehicles

Pencool 3000 with Stabil-Aid Cooling System Treatment PNR300016



Penray

- Cooling system treatment with Stabil-Aid
- Helps prevent the formation of gel deposits in cooling systems & protects cooling system metals from corrosion
- 16 fl. oz. / 12 per case
- Application: Use in engine radiator

Application Chart Antifreeze Protection (°F)

Cooling System Capacity ↓ Quarts	Quarts Antifreeze Required for Low-Temperature Protection →									
	3	4	5	6	7	8	9	10	11	12
9	5°	-15°	-43°	-76°						
10	10°	-4°	-26°	-54°	-76°					
11	12°	0°	-14°	-40°	-60°					
12	14°	5°	-8°	-28°	-51°					
13	15°	8°	0°	-14°	-44°	-61°	-76°			
14	17°	10°	3°	-8°	-28°	-44°	-60°			
15	18°	12°	5°	-4°	-14°	-35°	-54°	-76°		
16	19°	14°	9°	1°	-9°	-28°	-44°	-60°		
17	20°	16°	11°	3°	-2°	-15°	-31°	-60°		
18	21°	17°	12°	5°	0°	-13°	-26°	-33°	-53°	-76°
19		18°	13°	7°	2°	-10°	-20°	-32°	-50°	-60°
20			14°	9°	3°	-6°	-15°	-26°	-33°	-54°
21			15°	12°	5°	0°	-10°	-22°	-32°	-51°
22			16°	13°	8°	3°	-5°	-10°	-28°	-33°
23			17°	13°	10°	4°	-3°	-8°	-22°	-32°

Coolant's Basic Components:

Water

Water is an excellent heat transfer fluid, however freezes at low temperatures.

Glycol

Glycol is added to provide freeze and boil-over protection. It reduces the heat transfer capacity of water. It is usually mixed 50/50 with water.

Supplemental Coolant Additives

Nitrites are added to coolant to protect iron and steel components from cavitation, pitting and rust corrosion. Silicate is added to protect aluminum surfaces. Tolytriazole and Mercaptobenzothiazole are used to protect copper and brass metal. Phosphate or Borate are pH buffers used to control alkalinity.

Chemicals



SHP

Trailer & Truck Fluids

Antifreeze

Final Charge Global - Extended Life

Part Number	Size	
OLDFXA0B3	1 gal	Concentrate Bottle
OLDFXA0B1	55 gal	Concentrate Drum
OLDFXAB53	1 gal	50/50 Bottle

- Extended life coolant/antifreeze formula, red
- delivers total cooling system protection for 600,000 miles of on-road use
- 6 per case for the 1 gal size
- Application: Use in cooling systems of all types of heavy-duty diesel, gasoline & natural gas engines



(OLDFXA0B3)



(OLDFXA0B1)

Old World Ind.

Fleet Charge 50/50 OLDFCA053



- Pre-Diluted fully formulated coolant
- Diesel specific coolant
- 50/50 mix of coolant & deionized water
- 1 gal / 6 per case
- Application: Use in heavy duty cooling systems

Old World Ind.

Power Steering Fluid

Universal with Stop Leak RADM2732



- Stops leaks by conditioning seals
- Helps stop pump noise and wear
- 32 ft. oz.
- Application: Use on power steering system

RSC

Windshield Fluid

PEAK Bug Cleaner Wash OLDPBN0K3



- Peak bug wash with rain-off
- Premium summer formula
- 1 gal / 6 per case
- Application: Use to cut through: bugs, tree sap, baked on dirt & road grit

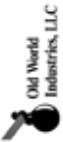
Old World Ind.

Peak Windshield Wash & Deicer WAS20F6



- Conventional blue all-season windshield cleaner
- Premix; -20°F
- Safe to use in any vehicle
- 6 per case for the 1 gal size
- Application: Use in any vehicle

Old World Ind.



Chemicals

SHP

Trailer & Truck Fluids

Windshield Fluid
PEAK Premium Windshield
Deicer and Cleaner
WAS30F6

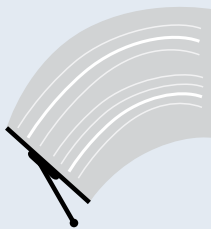


Old World Ind.

- Premium winter season formula
- Deices light ice & frost
- Effective to -30°F
- 1 gal / 6 per case
- Application: Use in any vehicle

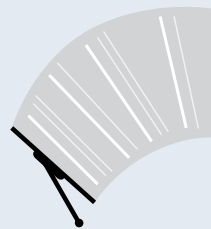
Tech Tip

Signs of Wiper Blade Wear



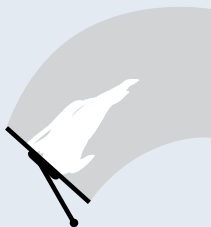
Streaking

Bands of water remain after stroke. Visual inspection will reveal rubber that has hardened and/or cracked due to exposure.



Chattering

Blades skip & vibrate over the windshield. Caused by exposure to extreme heat or cold temperatures or extended periods of non-use.



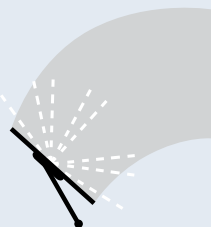
Smearing

Occurs when the wiping edge of the blade is no longer sharp. Wiper will smear the water across the windshield instead of cleaning it off.



Split Rubber

Age or physical damage to blades result in unwiped areas. A visual inspection will reveal any physical damage.



Squeaking

Old or worn rubber of the blade does not move quietly across the windshield.

See Wiper Blade Options on Page 682.

Chemicals
Old World Industries, LLC
SHP

Grease

5th Wheel

5th Wheel & Slider Lube LUC10030



Lucas Oil

- Clean, inexpensive alternative to grease for 5th wheels & sliders
- Virtually waterproof
- 1 pint / 12 per case
- Application: Use on 5th wheels & sliders

Inner Slide Lube PNR7005



Penray

- Contains high concentration of Moly Sulfide
- Increases slide & piston life on rails, fifth wheels & rollers; Clings to surfaces
- 10.5 oz / 12 per case
- Application: Use on fork lift inner slides, elevator slides, rails, torsion bars, fifth wheels & rollers

Slik-Pak 5th Wheel Grease PTX01010



Permatex

- Premeasured grease comes in handy pouch
- Requires no tools, creates no mess
- Effective at extreme temperatures & environmental conditions; Designed for heavy duty applications
- Application: Use on 5th wheels & forklift slides

Multi-Purpose

X-TRA Heavy Duty Grease

	Size
LUC10301-30	14.5 oz cartridge / 10 per case
LUC10330	1 lb tub / 12 per case

- Lasts up to 4 times longer than conventional lithium grease
- Fortified with an extreme pressure additive package
- Application: Use in heavy duty trucks & high speed bearings



(LUC10301-30)



(LUC10330)

Lucas Oil

LUCAS OIL

PENRAY

Permatex

Lubricants

SHP

Grease

5th Wheel

Lubriplate X-357 Lubricant
LUB-GRS005



Lubriplate

- Extreme pressure moly lubricant
- Water resistant & unaffected by temperature extremes; Penetrates & adheres
- 11 wt oz / 12 per case
- Application: Use on pintle hooks, slide axles, open gears & fifth wheels

Lubriplate 630 Series Lithium Grease
LUB-DSL002



Lubriplate

- Multi-purpose, lithium-based grease
- 14.5 oz cartridge / 10 per case
- Application: Use with automatic greasing systems

Special Auto Marine Grease
LUB-GRS012



Lubriplate

- Multi-purpose, high temp, extreme pressure grease
- Water repellent; Seals out dirt
- 14.5 oz cartridge / 10 per case
- Application: For automotive & marine uses

Liquid Wrench Trailer Bearing Grease
RADGR013



RSC

- Long lasting rust & corrosion protection
- Resists heat & washout
- Allows for high load carrying capacity
- 14 oz / 10 per case
- Application: Use on all trailer bearings & chassis lubrication points

Liquid Wrench Marine Grease
RADGR015



RSC

- Special water-insoluble formula
- Superior rust & corrosion protection
- 15 oz / 10 per case
- Application: Use in corrosive marine environments

Lubricants



SHP

Grease

Multi-Purpose

Dri-Slide Multi-Purpose Lubricant

	Size
LUB-DSL001	5.25 oz
LUB-DSL001-1	32 oz

- Multi-purpose lubricant; dry film formula; aerosol
- Resist salt, moisture & other corrosive elements
- Effective at extreme temperatures
- Stays in place once applied
- Application: Use on metal surfaces



Dri-Slide

Wheel End

Mobilith SHC 007 Grease LUB-GRS010



- NLGI 00 Grade / ISO VG 460 grease with a synthetic base fluid
- Excellent protection against wear, rust & corrosion
- 35 lb pail
- Application: Use in grease-filled industrial gear cases subject to high temps

Mobile

Delo HD Synthetic Grease SF LUB-GRS019



- Formulated to perform in unusually demanding conditions of high & low temps
- Excellent for demanding application requiring extended lubrication intervals
- 30 lb pail
- Application: Trailer wheel ends operating in a wide range of weather conditions

Chevron

Sta-Plex Extreme Pressure Premium Red Grease CRCSL3190



- Superior multi-purpose certified lithium complex based NLGI #2 grease
- extreme pressure, anti-wear, & anti-oxidation additives
- 14 oz / 10 per case
- Application: Ideal for high temperature & performance applications, bearings

CRC Industries

Liquid Wrench Extreme Pressure Red Grease RADGR016



- High film strength
- Contains anti-oxidants & corrosion inhibitors
- 14 oz / 10 per case
- Application: Ideal for use in high temps or extreme conditions

RSC



Lubricants

SHP

Grease

Wheel End

**Red 'N' Tacky
Red Lithium Grease
LUC10005-30**



Lucas Oil

- Smooth, tacky, red lithium 12-HO grease
- Fortifies with a high degree of extreme pressure additives; Water resistant
- 14 oz / 10 per case
- Application: Use in sliding surfaces & open gears

**RPM Universal SAE 80W-90
Gear Lubricant
LUB-GEA001**



Chevron

- Premium grade, multi-purpose gear lubricant
- Protects against wear, seizure, oxidation, corrosion, rust & foam
- 32 fl oz / 12 per case
- Application: Use on truck axles & wheel hubs

**Mystik Moly Grease
LUB-GRS007**



Citgo

- Premium lithium complex grease
- Industrial & heavy duty fleet grease with 1.5% moly (equiv. performance to 3% moly grease)
- 14 oz / 10 per case
- Application: Use with bearings, fifth wheels, king pins, slack adjusters, pins & bushings

**Lubriplate No. 105
Motor Assembly Grease
LUB-GRS004**



Lubriplate

- Smooth light-bodied grease made especially for motor assembly
- Protects machined engine parts from rust & corrosion; Prevents "Dry Start"
- 10 oz / 12 per case
- Application: Use on machined engine parts

**Extreme Pressure Lube #3
HENS-21337**



Hendrickson

- Anti-scoring, extreme pressure lube #3
- 4oz
- Application: Use with Hendrickson bushing tool

LUCAS OIL

HENDRICKSON

Lubricants

SHP

Lube

Food-Grade

Food-Grade Lube

	Size
TOD39000-1006	4 oz
TOD39000-1012	12 oz
TOD39000-1016	1 gal

- Food-grade quality lubricant
- Protects against wear, friction, corrosion & oxidation
- Compatible with rubber & other sealing materials
- Application: Use to lubricate springs, rollers, bearings, hinges & locks



(TOD39000-1016)



(TOD39000-1012)



(TOD39000-1006)

Todco

Hinge / Latch / Roller

OHD Hardware Lubricant

Size	
9.3 wt oz / 12 per case	PROOHLUBE-1
1 gal	PROOHLUBE-2



- Formulated for Pro-Par overhead doors
- Dry, tack-free film resists dust & dirt
- Non-staining; Safe for most surfaces
- Application: Use on roll-up and swing door hardware

Pro-Par

Liquid Wrench Lubricating Oil RADL212



- Stops squeaks & eases sticking parts
- Protects against rust
- 11 oz / 12 per case
- Application: Use on exterior locks, electronic appliances & small hinges

RSC

Liquid Wrench Silicone Spray RADM914



- Provides a slick coat of protection
- Repels water & inhibits rust; Extends life of metal & non-metal surfaces
- 11 oz / 12 per case
- Application: Use on rubber, plastic, wood & metal

RSC

Dry Graphite Lube PNR7009



- Lubricates & protects by penetrating into uneven microscopic surfaces
- Protects against rust & corrosion
- Excellent reducer of friction & heat
- 10 wt oz / 12 per case
- Application: Use on wood, metal, plastic, rubber, leather & painted surfaces

Penray



Lubricants

SHP

Lube

Hinge / Latch / Roller

White Lithium Grease
CRC05037



CRC Industries

- High quality, multi-purpose grease
- Protects against moisture & heat
- 10 wt oz / 12 per case
- Application: Use for metal-to-metal applications, hinges, latches, cams & cables

White Lithium Grease
PTX81981



Permatex

- All-purpose white lubricant
- Protects against rust & makes surfaces friction-free
- 10.75 oz / 12 per case
- Application: Use for metal-to-metal or metal-to-plastic applications, hinges & latches

Sta-Lube General Purpose Lithium Grease
LUB-GRS001



CRC Industries

- High purity, NLGI Grade 2 lithium based grease
- Designed for light duty applications requiring long grease life
- 14 oz / 10 per case
- Application: Use on hinges, latches, OHD tracks, chains & cables

Liquid Wrench White Lithium Grease

	Size
RADL616	10.25 oz / 6 per case
RADL666	16 oz tub / 12 per case

- Creates long-lasting, heavy duty lubrication
- Provides a thick grease coat
- Does not freeze, melt or run
- 10.25 oz / 6 per case
- Application: Use on large outdoor hinges



(RADL616)



(RADL666)

RSC



Lubricants

SHP

Lube

Penetrating

Multi-Purpose Power Lube CRC05005



CRC Industries

- Fast acting multi-purpose lubricant
- All in one product quickly penetrates, lubricates, stops squeaks, fights corrosion & loosens rusted parts; Non-staining
- 9 wt oz / 12 per case
- Application: Use on hinges, door locks, wheels & lug nuts

PB Penetrating Catalyst PBB16-PB



PB Blaster

- Quickly breaks loose surface tension rust & corrosion by creeping up, around & in to hard-to-reach cavities
- Loosens rusty nuts & bolts
- 11 oz / 12 per case
- Application: Use on brake, exhaust & suspension system jobs

Heavy Duty Penetrant Lubricant PROCH-LU02



Pro-Par

- Cleans and protects faster
- Rust inhibitor and moisture displacer
- Non-conducting up to 45,000 volts
- 20 oz. / 12 per case
- Application: Use to loosen nuts and bolts

Fast Break Super Penetrant PTX80052



Permatex

- Penetrate & loosens rust, tar, grease, dirt, carbon deposits & corrosion from metal parts
- For rusted & frozen assemblies
- 12 wt oz / 12 per case
- Application: Use on frozen nuts, bolts & fittings in all types of assemblies

Anti-Seize Lubricant

Size	
8.5 oz	PTX81464
8 fl. oz.	PTX80078



Permatex

- Highly refined blend of aluminum, copper and graphite lubricants
- Use during assembly to prevent galling, corrosion and seizing due to weathering or chemicals
- 8.5 oz
- Application: Use on spark plugs, cylinder head and exhaust head bolts

Liquid Wrench Penetrating Oil RADL112



RSC

- Frees stuck nuts, bolts & locks; Quickly penetrates corrosion
- Dissolves rust & cuts through grease
- 11 oz / 12 per case
- Application: Use on frozen nuts, bolts, clamps, pipes & frozen mechanisms



SHP

Lubricants

Lube

Tool

ATC Air Tool Conditioner
PBB16-ATC



PB Blaster

- Designed to restore & prolong air tool life by cleaning, coating & lubricating tools
- Breaks loose deposits that accumulate over time; Lubricant formulation inhibits rust
- 12 oz / 12 per case
- Application: Use on air tools

Professional Air Tool Lubricant
PBB16-ATL



PB Blaster

- Lubricates and protects internal tool parts
- Ensures maximum tool performance, prevents unnecessary maintenance
- 16 fl. oz.
- Application: Use on air tools

Gun Oil
LUC10006



Lucas Oil

- Developed to prevent jamming & over-heating
- Stands up to high combustion temperatures
- Protects against moisture & is completely odorless
- 2 oz / 18 per case
- Application: Use to protect against rust and moisture

Heavy Duty Air Tool Lubricant
LUC10216



Lucas Oil

- Superior lubricant; Extends tool life
- Combats rust & varnish
- Coats the working parts with a cushion of waterproof lubricants that resists blowout
- 1 pt / 12 per case
- Application: Use on air tools

BLASTER
LUCAS OIL
Lubricants

SHP

Terminology

Viscosity

Engine Oil	Viscosity	Similar To
SAE 10	50 to 100	Corn Oil
SAE 30	150 to 200	Maple Syrup

Engine Oil	Viscosity	Similar To
SAE 40	250 to 500	Castor Oil
SAE 60	1,000 to 2,000	Glycerin

Shop Supplies

Oil

Gear

SAE 75W-90 Synthetic Gear Oil

	Size
LUC10047	1 qt
LUC10048	1 gal

- Non-foaming, super slick, long lasting lubricant designed for heavy duty or high performance application
- Cushions gears & resists "squeezing out" under extreme pressure
- 1 qt / 12 per case
- Application: Use on gears, transmissions & differentials



(LUC10047)



(LUC10048)

Lucas Oil

Heavy Duty 80W-90 Gear Oil

	Size
LUC10043	1 qt
LUC10046	1 gal

- Fortified with special anti-wear agents & lubricity agents to control wear & drag along with additives to control heat
- Excellent for heavy-duty applications
- Application: Provides the ultimate protection to gear components



(LUC10043)



(LUC10046)

Lucas Oil

RPM Universal SAE 80W-90 Gear Lubricant LUBUN8090



- Premium grade, multi-purpose gear lubricant
- Protects against wear, seizure, oxidation, corrosion, rust & foam
- 32 fl oz / 12 per case
- Application: Use on truck axles & wheel hubs

Chevron

LUCAS OIL

Lubricants

SHP

Oil

Gear

**API/GL-5 Plus New Generation
85W-140 HD Limited Slip Gear Oil
CRCSL2432**



CRC Industries

- Extreme pressure, multi-purpose gear oil
- Meets SAE specs
- 32 fl oz / 12 per case
- Application: For complete fill or topping off of manual transmissions or differentials operating under high speed, low torque; and low speed, high torque conditions

**Heavy Duty
85W-140 Gear Oil
LUC10042**



Lucas Oil

- excellent for heavy-duty applications
- Fortified with special anti-wear agents & lubricity agents to control wear & drag along with additives to control heat
- 1 qt / 12 per case
- Application: Use on gears; Ideal for older gear boxes

Hub

	Size
LUC10088	32 oz
LUC10089	5 gal

- Allows hubs to run on a marginal amount of oil in case of a blown seal or poor maintenance
- Excellent gear lube for heavy-duty applications
- Application: Use to stop leaks in steering axles & trailer hubs on heavy duty trucks



(LUC10088)



(LUC10089)

Lucas Oil



Lubricants

SHP

Oil

Supplements

Power Steering Stop Leak

	Size
LUC10011	1 qt (12 per case)
LUC10008	12 oz (12 per case)

- Stop seal leaks in power steering units
- Effective in reducing slack, squeals, & hard spots in worn rack & pinions
- Immediate & long lasting
- Application: Use in power steering reservoir to stop leaks



Lucas Oil

Heavy Duty Oil Stabilizer

	Size
LUC10001	1 qt (12 per case)
LUC10002	1 gal (4 per case)

- Increases oil life by 50%
- Pure petroleum multi-use oil supplement
- Eliminates dry starts and reduce friction, heat & wear in any type of engine
- Application: Use in gear oil to stop leaks, reduce operating temperatures & increase the life of the gear oil



Lucas Oil

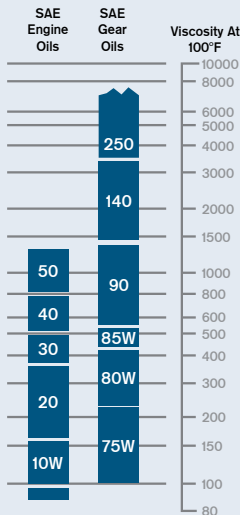
LUCAS OIL

SHP

Lubricants

Application Chart

Gear Oil Viscosity

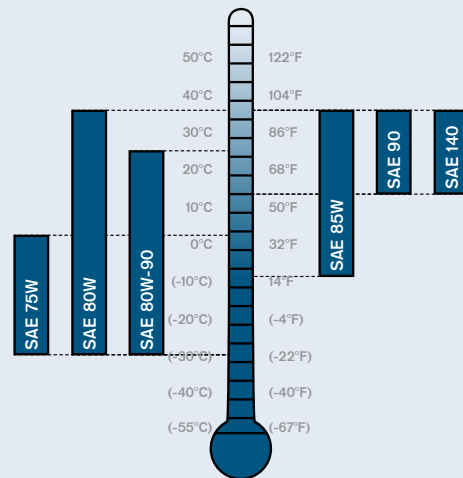
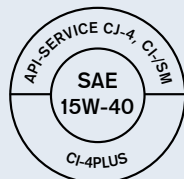


Substitutions

Gear oil ratings are not directly comparable with engine oil. If it is necessary to mix brands of oil, use the same viscosity grade to maintain performance.

API Symbol

Look for the API symbol on oil products for viscosity grade.



Coatings

Instant Cold Galvanize Coating CRC05048



CRC Industries

- High performance coating of 95% pure zinc that electrochemically bonds to ferrous metals
- Provides protection like hot dip galvanize
- 13 wt oz / 12 per case
- Application: Use on fasteners, welds & doors

Cold Galvanize Primer PNT1-1



Pro-Par

- Dried paint film with over 93% zinc
- Excellent adherence to galvanized surfaces exposed to the severest corrosive conditions
- 16 wt oz / 12 per case
- Application: Use on fasteners, welds & doors

Paints

1 Gallon Paint / Enamel

Part Number	Color
PNT3-14	Black Gloss
PNT7-17	Gray Enamel
PNT11-13	Red #89
PNT13-10	White Enamel
PNT13-12	Reefer White

- High Solids, one coat coverage
- Protects against corrosive chemicals
- Resists abrasion & heat
- Lead-free; Sag-resistant
- Application: Protects equipment from exposure to the elements & chemicals



Pro-Par

Big Rig Professional Coatings PNT11-23



Seymour

- Superior high solids fleet maintenance paint formulated for maximum performance
- Prevents rust & resists oil, gas, abrasion & heat
- Bright fleet red
- 16 wt oz / 6 per case

Spray Paints O.E. Shiny Galvanized PNT11-5



Seymour

- Shiny galvanized coating that protects & matches new galvanized metal
- Resists oxidation & eliminates the need for an aluminum topcoat
- 13 wt oz / 6 per case



Paints

SHP

Paints

Spray Paints

Stainless Steel PNT12-3



Seymour

- Formulation containing 316L stainless steel pigment to provide maximum corrosion resistance & protection against weather, sunlight, oil, & water
- Dries to a satin finish
- Recommended as a topcoat
- 16 wt oz / 6 per case

Pro-Par 16 oz. Spray Paint

Part Number	Color
PNT3-1	Black Gloss
PNT3-20	Flat Black
PNT9-6	JB Hunt Orange
PNT11-26	Swift Red
PNT11-27	Royal Blue
PNT11-28	Federal Gray
PNT11-29	Dull Aluminum
PNT13-11	Reefer White
PNT13-22	White Gloss



- High solids coverage
- Abrasion & chemical resistant
- Outdoor durability
- 16 oz / 12 per case

Pro-Par

MRO Industrial Enamel 16 oz. Spray Paint

Part Number	Color
PNT4-11	Deep Blue
PNT7-32	Machinery Gray Gloss
PNT7-34	Light Machinery Gray
PNT11-20	Safety Red
PNT11-30	Safety Yellow Gloss
PNT11-33	Safety Orange
PNT14-10	Caterpillar Yellow
PNT620-1449	Dark Green



- Formulated for maximum performance
- High solids paint does not run or sag
- Can be applied to bare metal
- Resists oil, gas, heat, and sunlight
- 16 oz / 6 per case

Seymour

SEYMOUR
"The Inventor of Aerosol Spray Paint"

pro-par
16 oz. Aerosol Spray Paints

Paints

SHP

Primers

Pro-Par

Part Number	Type	Size	Color
PNT11-22	Spray	20 oz / 17 oz fill	Red Oxide
PNT7-30	Spray	20 oz / 17 oz fill	Big Red Gray
PNT7-19	Gallon	1 gal	Gray

- High solids coverage
- Abrasion & chemical resistant; Outdoor durability
- Creates a waterseal between paint & material
- Application: Use primer before painting to create a totally flat surface; Wood is the most common surface for paint primers



(PNT11-22)



(PNT7-30)

Pro-Par

Rust Converter & Primer PNT1-2



Pro-Par

- Any iron or steel surface restored to a like new appearance
- 16 wt oz / 12 per case
- Application: Use on cars, trucks, trailers, railings, furniture & tools

Primer PNT3-21



- Flat Black
- 12 wt oz / 12 per case
- Application: Use on cars, trucks & trailers

Reducers & Removers

Decal & Sticker Remover PBB16-DSR



PB B'blaster

- Citrus-based solvent that quickly & easily removes adhesives & sticky films, as well as grease oils, & waxes
- Biodegradable; All-Purpose
- Leaves no residue
- 11 wt oz / 12 per case

Decal & Paint Stripper PTX80577



Permatex

- Quickly strips & removes decals, stickers, stripes & paint from bumpers, auto & truck bodies
- Eliminates sanding & scraping
- Works in 10-15 minutes
- 12 wt oz / 12 per case

Paints

SHP

Reducers & Removers

Graffiti Remover PNT20-047



Seymour

- Highly effective, environmentally safe formula that removes paint from brick, stucco, siding, concrete, & metal
- Safely removes paint & varnish
- Gel-like remover adheres to vertical surfaces
- 13 wt oz / 12 per case

Undercoats

Rubberized Spray Undercoating CRC5347



CRC

- Provides a tough, flexible shield against moisture, salt and road debris
- Dries quickly and is exceptionally resistant to adrasion
- 16 wt oz

Undercoats

Undercoating MMM0881



3M

- Provides a tough barrier and protects metal from road debris
- Hides welding marks and other repairs
- 16 wt oz / 6 per case

Plasti-Kote Undercoat PNT3-15



Pro-Par

- Flexible, rubberized, non-asphaltic coating
- effective sound barrier to reduce road noise
- protection against rust, corrosion, moisture, fumes, dust, heat & cold
- Black
- 12 wt oz / 12 per case

Rubberized Undercoat PNR4424



Penray

- Rustproofs, seals & protects
- Sprays on evenly, dries quickly & stays black & can be painted
- Rubber compound for flexibility
- 17 wt oz / 12 per case

Heavy Duty Rubberized Undercoating PTX81833



Permatex

- Excellent professional blend all-purpose coating
- Rubberized for maximum durability
- Seals, protects & insulates
- Rubber compound for flexibility
- 16 wt oz / 12 per case

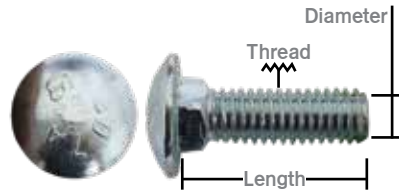


Paints

Bolts

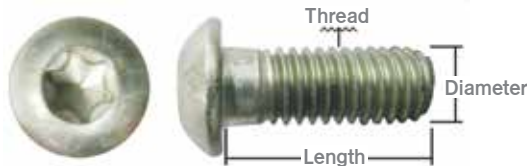
Base Rail

Length	1/4 in. - 20	5/16 in. - 18	3/8 in. - 16
1 in.	BLT-CB0410	BLT-CB0510	BLT-CB0610
1-1/4 in.	BLT-CB0411	BLT-CB0511	BLT-CB0611
1-1/2 in.	BLT-CB0412	BLT-CB0512	BLT-CB0612
2 in.	BLT-CB0420	BLT-CB0520	BLT-CB0620
2-1/2 in.	BLT-CB0422	BLT-CB0522	BLT-CB0622
3 in.	BLT-CB0430	BLT-CB0530	BLT-CB0630



Pro-Par

	Grade	Diameter	Thread	Length	Material	Head
BLT00233	302	3/8 in.	16	1-1/4 in.	Stainless Steel	Button
SCW60750210	302	3/8 in.	16	1 in.	Stainless Steel	Button
BLT2-13		5/16 in.	18	1 in.	Stainless Steel	Round
BLT60753117	5	3/8 in.	16	1-1/2 in.	Steel	Button
BLT60753101	5	3/8 in.	16	1-7/8 in.	Steel	Truss
BLTF8721668-96		3/8 in.	16	1 in.		Torx
BLTF8721689-96		3/8 in.	16	1-1/4 in.		Torx



Crossmember Bolt Kit BLT60759950



Item	Count	Diameter	Thread	Length	Material
Bolts	8	3/8 in.	16	1-1/4 in.	
Washers	8				Nylon
Nuts	8	3/8 in.	16		

Crossmember Bolt Kit BLT60759920



Item	Count	Diameter	Thread	Length	Material
Bolts	8	3/8 in.	24	1-1/4 in.	
Washers	8				Nylon
Nuts	8	3/8 in.	24		

Base Rail Bolt Kit BLT16-20



NOTE: Each kit contains (8) bolts and (8) nuts.
Sell pack is 65 kits.

Item	Count	Grade	Diameter	Thread	Length
Bolts	8	5	3/8 in.	16	1-1/4 in.
Flange Nuts	8	5	3/8 in.	16	

Container Bolt Kit BLTKIT1207



Item	Count	Grade	Diameter	Thread	Length
Bolts	22	5	3/8 in.	16	1 in.
Washers	22		25/64 in.		21/32 in.
Hex Nuts	22		3/8 in.	16	

Fasteners

SHP

Bolts

Base Rail

Base Rail Bolt Kit SIRBRBK

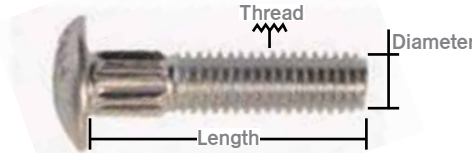


Item	Count	Diameter	Thread	Length
Bolts	8	3	16	1-1/4 in.
Flange Nuts	8			

Carriage

Rib-Neck

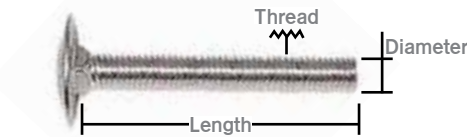
Length	1/4 in. - 20	5/16 in. - 18	3/8 in. - 16
1-1/4 in.	BLT-CBRN0411	BLT-CBRN0511	BLT-CBRN0611
1-1/2 in.	BLT-CBRN0412	BLT-CBRN0512	BLT-CBRN0612
2 in.	BLT-CBRN0420	BLT-CBRN0520	BLT-CBRN0620



Pro-Par

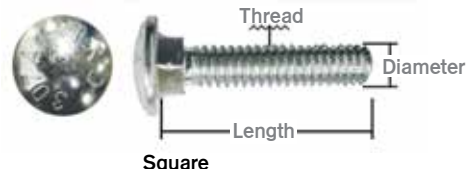
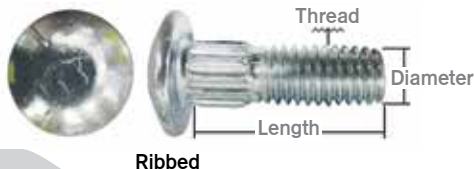
Step

Length	1/4 in. - 20	5/16 in. - 18	3/8 in. - 16
1-1/4 in.	BLT-CBST0411	BLT-CBST0511	
1-1/2 in.	BLT-CBST0412	BLT-CBST0512	BLT-CBST0612
2 in.	BLT-CBST0420		BLT-CBST0620



Pro-Par

	Grade	Diameter	Thread	Length	Material	Neck	Head
BLT11-20	5	3/8 in.	16	1-1/2 in.	Steel	Ribbed	Round
BLT11-30	5	3/8 in.	16	1-1/2 in.	Steel	Square	Round
BLT11-201	5	3/8 in.	16	1-3/4 in.	Steel	Ribbed	Round
BLT11-230	18-8	5/16 in.	18	3/4 in.	Stainless Steel	Square	Round
BLT11-232		1/4 in.	20	1-1/4 in.		Ribbed	Round



Fasteners

SHP

Bolts

Length	1/4 in. - 20	5/16 in. - 18	3/8 in. - 16	Elevator
1-1/4 in.	BLT-CBEL0411	BLT-CBEL0511	BLT-CBEL0611	
1-1/2 in.	BLT-CBEL0412	BLT-CBEL0512	BLT-CBEL0612	
1-3/4 in.	BLT-CBEL0413		BLT-CBEL0613	
2 in.	BLT-CBEL0420	BLT-CBEL0520	BLT-CBEL0620	
2-1/2 in.	BLT-CBEL0422		BLT-CBEL0622	
3 in.	BLT-CBEL0430		BLT-CBEL0630	

Elevator Bolt Assy. Kits

BLTMDRBOLT14114

Item	Count	Diameter	Thread	Length
Bolts	100	1/4 in.	20	1-1/4 in.
Kep Nuts	100	1/4 in.		

TMB700-50-7

Item	Count	Diameter	Thread	Length
Bolts	100	1/4 in.	20	1-1/2 in.
Kep Nuts	100	1/4 in.		



Pro-Par

FRP

	Type	Diameter	Thread	Length	Color
BLT12-1	Corroflo	3/8 in.	16	1 in.	Steel
BLT12-2	Corroflo	3/8 in.	16	1-1/4 in.	Steel
BLT6-2	Standard	5/16 in.	18	7/8 in.	Zinc
BLT6-3	Standard	5/16 in.	18	1 in.	Zinc
BLT99-3	Torx	1/4 in.	20	7/16 in.	Zinc
SCW60753087	Torx	5/16 in.	18	1-3/8 in.	Steel
BLT99-2	Torx	5/16 in.	18	5/8 in.	
MOR051049	Torx				
MOR051051	Torx				
BLTF6719580-63007C	Encapsulated	5/16 in.	18	7/8 in.	Gray
BLT9-5	Encapsulated	5/16 in.	18	1 in.	Gray
BLT9-6	Encapsulated	5/16 in.	18	1 in.	White
BLT9-7	Encapsulated	5/16 in.	18	1-1/4 in.	Gray
BLT9-9	Encapsulated	3/8 in.	16	1-7/8 in.	Gray



Fasteners



SHP

Bolts

FRP

Anti-Theft DuraPlate® Rear Door Kit

BLTKIT-3

Gray ribbed neck FRP

Item	Count	Grade	Diameter	Thread	Length
Bolts	28	5	5/16 in.	18	1 in.
Bolts	88	5	5/16 in.	18	7/8 in.
Bolts	2	5	5/16 in.	18	1-1/4 in.
Cam Tee-Nuts	48	-	5/16 in.	18	3/16 in.
Tee-Nuts	2	5	5/16 in.	18	1/2 in.



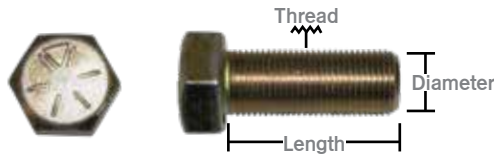
Hex Head

SAE- Yellow Plated, Grade 8

Length	5/8 in. - 18	3/4 in. - 16	7/8 in. - 14
1 in.	BLT-GES1010	BLT-GES1210	
2-1/2 in.	BLT-GES1022	BLT-GES1222	BLT-GES1422*
5 in.	BLT-GES1050	BLT-GES1250	BLT-GES1450*

*Plain

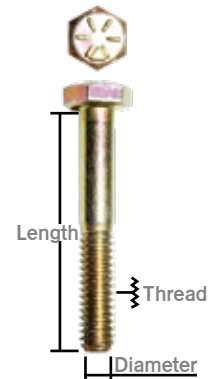
Pro-Par



USS- Yellow Plated, Grade 8

Length	1/4 in. - 28	5/16 in. - 18	3/8 in. - 16	7/16 in. - 20
3/4 in.	BLT-GEU0403	BLT-GEU0503	BLT-GEU0603	BLT-GEU0703
1 in.	BLT-GEU0410	BLT-GEU0510	BLT-GEU0610	BLT-GEU0710
1-1/4 in.	BLT-GEU0411	BLT-GEU0511	BLT-GEU0611	BLT-GEU0711
1-1/2 in.	BLT-GEU0412	BLT-GEU0512	BLT-GEU0612	BLT-GEU0712
2-1/2 in.	BLT-GEU0422	BLT-GEU0522	BLT-GEU0622	BLT-GEU0722
3 in.	BLT-GEU0430	BLT-GEU0530	BLT-GEU0630	BLT-GEU0730

Length	1/2 in. - 13	5/8 in. - 11	3/4 in. - 10
1 in.	BLT-GEU0810	BLT-GEU1010	BLT-GEU1210
1-1/4 in.	BLT-GEU0811	BLT-GEU1011	BLT-GEU1211
1-1/2 in.	BLT-GEU0812	BLT-GEU1012	BLT-GEU1212
1-3/4 in.	BLT-GEU0813	BLT-GEU1013	BLT-GEU1213
2 in.	BLT-GEU0820	BLT-GEU1020	BLT-GEU1220
2-1/2 in.	BLT-GEU0822	BLT-GEU1022	BLT-GEU1222
3 in.	BLT-GEU0830	BLT-GEU1030	BLT-GEU1230
3-1/2 in.	BLT-GEU0832	BLT-GEU1032	BLT-GEU1232
4 in.	BLT-GEU0840	BLT-GEU1040	BLT-GEU1240
4-1/2 in.	BLT-GEU0842	BLT-GEU1042	BLT-GEU1242



Pro-Par

pro-par
Genuine Pro-Par Parts

Fasteners

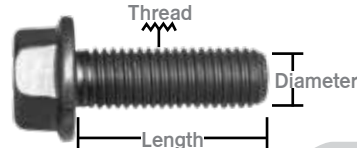
SHP

Bolts

Hex Head

USS Flange, Grade 8

Length	1/2 in. - 13	5/8 in. - 11	3/4 in. - 10
1-3/4 in.	BLT-GEUF0813	BLT-GEUF1013	
2 in.	BLT-GEUF0820	BLT-GEUF1020	BLT-GEUF1220
2-1/4 in.	BLT-GEUF0821	BLT-GEUF1021	



Pro-Par

USS- Zinc Plated, Grade 5

Length	1/4 in. - 20	5/16 in. - 18	3/8 in. - 16	7/16 in. - 14
3/4 in.	BLT-GFU0403	BLT-GFU0503	BLT-GFU0603	BLT-GFU0703
1 in.	BLT-GFU0410	BLT-GFU0510	BLT-GFU0610	BLT-GFU0710
1-1/4 in.	BLT-GFU0411	BLT-GFU0511	BLT-GFU0611	BLT-GFU0711
1-1/2 in.	BLT-GFU0412	BLT-GFU0512	BLT-GFU0612	BLT-GFU0712
1-3/4 in.	BLT-GFU0413	BLT-GFU0513	BLT-GFU0613	BLT-GFU0713
2 in.	BLT-GFU0420	BLT-GFU0520	BLT-GFU0620	BLT-GFU0720
2-1/2 in.	BLT-GFU0422	BLT-GFU0522	BLT-GFU0622	BLT-GFU0722
3 in.	BLT-GFU0430	BLT-GFU0530	BLT-GFU0630	BLT-GFU0730

Length	1/2 in. - 13	5/8 in. - 11
1-1/4 in.	BLT-GFU0811	BLT-GFU1011
1-1/2 in.	BLT-GFU0812	BLT-GFU1012
2 in.	BLT-GFU0820	BLT-GFU1020
2-1/2 in.	BLT-GFU0822	BLT-GFU1022



Pro-Par

Specialty

	Grade	Diameter	Thread	Length	Material
BLT60753008	2	5/16 in.	18	1 in.	Steel
BLT1-250	5	1/4 in.	20	2-1/2 in.	Steel
BLT1-302	5	1/2 in.	13	4-1/2 in.	Steel
BLT1-381A	5	5/8 in.	18	5-1/4 in.	Steel
MOR051047		1/4 in.	20	5/16 in.	



Fasteners



SHP

Bolts

Specialty Kits

Flap Mounting Bolt Kit

Part Number	Count
BESB516P	Single Kit
IMXGT-27516B	Single Kit
IMXGT-27516BUCKET	50 Kits

- Kit Includes: 4 Bolts, 4 Lock Washers, 4 Nuts & 8 Flat Washers



(BESB516P)



(IMXGT-27516BUCKET)

Landing Gear Bolt Kit BLT60759910



Item	Count	Diameter	Thread	Length
Bolts	10	5/8 in.	18	1-1/2 in.
Lock Nuts	10	5/8 in.		

Landing Gear Bolt Kit BLTFSP005-05KIT



Item	Count	Grade	Diameter	Thread	Length
Bolts	12	8	5/8 in.	18	1-7/8 in.
Lock Nuts	12	8	5/8 in.		
Flat Washers	12		5/8 in.		

TempBolt® Hubcap Bolt

Count	Part Number
Single	IMXGT-7600BULK
Kit of 4	WAB10900628K



(IMXGT-7600BULK)



(WAB10900628K)

- Provides a visual indicator that lets you know at a glance if a hub has reached 250°

More Information

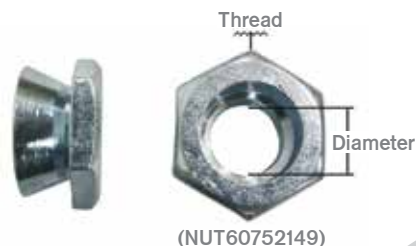
www.MyAuroraPlus.com

Need more information on a particular trailer? Log into www.MyAuroraPlus.com for Aurora's Graphical Bill of Material (GBOM). Easily point and click through visual elements of a trailer to drill down to an individual trailer component.

Nuts

Anti Theft

	Type	Diameter	Thread	Material
NUT15-1	Anti Theft	3/8 in.	16	Zinc Plated/ Steel
NUT60752149	Tamper Proof Nut	1/2 in.	13	Steel



Anti-Theft Nut Socket TOL1-1



- To remove & install anti-theft NUT15-1

Finished Hex

Diameter	Thread	USS (Coarse), Grade 5	USS (Coarse), Grade 8
1/4 in.	20	NUT-HNU04	NUT-HNU804
5/16 in.	18	NUT-HNU05	NUT-HNU805
3/8 in.	16	NUT-HNU06	NUT-HNU806
7/16 in.	14	NUT-HNU07	NUT-HNU807
1/2 in.	13	NUT-HNU08	NUT-HNU808
5/8 in.	11	NUT-HNU10	NUT-HNU810



Pro-Par

Nylon Insert Lock

Diameter	Thread	USS (Coarse), Grade 2	USS (Coarse), Grade 8	Thread	SAE (Fine), Grade 8
1/4 in.	20	NUT-HNUNY04	NUT-HNUNY804	28	NUT-HNSNY804
5/16 in.	18	NUT-HNUNY05	NUT-HNUNY805	24	NUT-HNSNY805
3/8 in.	16	NUT-HNUNY06	NUT-HNUNY806	24	NUT-HNSNY806
7/16 in.	14	NUT-HNUNY07	NUT-HNUNY807	20	NUT-HNSNY807
1/2 in.	13	NUT-HNUNY08	NUT-HNUNY808	20	NUT-HNSNY808
9/16 in.	12	NUT-HNUNY09	NUT-HNUNY809	18	NUT-HNSNY809
5/8 in.	11	NUT-HNUNY10	NUT-HNUNY810	18	NUT-HNSNY810
3/4 in.	10	NUT-HNUNY12	NUT-HNUNY812	16	NUT-HNSNY812



Pro-Par

Fasteners

Nuts

"KEP" Lock

USS (Coarse), Grade 5

Grade	Diameter	Thread	
5	1/4 in.	20	NUT-HNKU04
5	3/8 in.	16	NUT-HNKU06

Pro-Par



Serrated Hex Flange Lock

USS (Coarse), Grade 5

Grade	Diameter	Thread	
5	1/4 in.	20	NUT-HNUF04
5	5/16 in.	18	NUT-HNUF05
5	3/8 in.	16	NUT-HNUF06

Pro-Par



Stover Lock

Diameter	Thread	USS (Coarse), Grade 8	Thread	SAE (Fine), Grade 8
1/4 in.	20	NUT-HNUST04	28	NUT-HNSST04
5/16 in.	18	NUT-HNUST05	24	NUT-HNSST05
3/8 in.	16	NUT-HNUST06	24	NUT-HNSST06
1/2 in.	13	NUT-HNUST08	20	NUT-HNSST08
9/16 in.	12	NUT-HNUST09	18	NUT-HNSST09
5/8 in.	11	NUT-HNUST10	18	NUT-HNSST10
3/4 in.	10	NUT-HNUST12	16	NUT-HNSST12
7/8 in.	9	NUT-HNUST14	14	NUT-HNSST14
1 in.	8	NUT-HNUST16	14	NUT-HNSST16



Pro-Par

Stover Flange Lock

SAE (Fine), Grade 5

Grade	Diameter	Thread	
GT	1/2 in.	13	NUT-HNSF08
GT	5/8 in.	11	NUT-HNSF10
GT	3/4 in.	10	NUT-HNSF12

Pro-Par



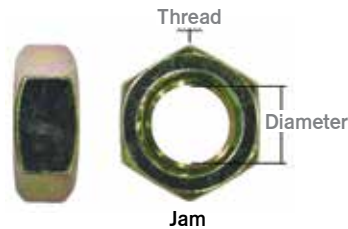
Fasteners

SHP

Nuts

Specialty

	Type	Grade	Diameter	Thread	Material
HOLXB-HNH-34-F	Lock	-	3/4 in.	16	-
NUT00236	Lock	-	1/2 in.	13	-
NUT2-20	Stover	5	3/8 in.	16	Zinc
NUT6-5	Jam	2	1 in.	14	Zinc Plated / Steel
HYU10015370	Jam				
FLT992-01100	Keep	-	1/4 in.	20 in.	Zinc



Tee

	Type	Diameter	Thread	Length	Color
NUT890-58000	Cam	5/16 in.	18	3/16 in.	Steel
NUT9-4	FRP	5/16 in.	18	3/8 in.	Steel
NUT9-5	FRP	5/16 in.	18	1/2 in.	Steel
NUT9-8	FRP	5/16 in.	18	5/8 in.	Steel
NUT449219420-07	Tee	5/16 in.	18	9/16 in.	Gray
NUT99-SPD	Tee	1/4 in.	20	7/16 in.	White
MOR052021	Tee	-	20	17/40 in.	Gray
NUT60750088	Tee	5/16 in.	18	1/2 in.	White
NUT60752011	Tee	5/16 in.	18	9/16 in.	White
WABNUT00203	Tee	5/16 in.	18	9/16 in.	White



Pins

Steel Cotter

Length	1/8 in.	1/4 in.	3/8 in.
1 in.	PIN-CP2010	PIN-CP4010	
1-1/4 in.	PIN-CP2011		
1-1/2 in.	PIN-CP2012	PIN-CP4012	PIN-CP6012
1-3/4 in.	PIN-CP2013		
2 in.	PIN-CP2020	PIN-CP4020	PIN-CP6020
2-1/2 in.	PIN-CP2022	PIN-CP4022	



Pro-Par

Specialty

	Type	Length	Diameter
FRUAXA0409-PK1	Pro-Par Axle	1-1/4 in.	3/16 in.
HUKMGPB-R8-10G	Huck Pin	1-15/16 in.	1/4 in.

Conversion Chart

Fraction to Decimal

Fraction	Decimal (inches)	Decimal (metric)
1/64	0.0156	0.396
1/32	0.0313	0.795
3/64	0.0469	1.19
1/16	0.0625	1.587
5/64	0.0781	1.984
3/32	0.0938	2.383
7/64	0.1094	2.779
1/8	0.125	3.175
9/64	0.1406	3.571
5/32	0.1563	3.97
11/64	0.1719	4.366
3/16	0.1875	4.763
13/64	0.2031	5.159
7/32	0.2188	5.558
15/64	0.2344	5.954
1/4	0.25	6.35
17/64	0.2656	6.746
9/32	0.2813	7.145
19/64	0.2969	7.54
5/16	0.3125	7.937
21/64	0.3281	8.334
11/32	0.3438	8.733

Fraction	Decimal (inches)	Decimal (metric)
23/64	0.3594	9.129
3/8	0.375	9.525
25/64	0.3906	9.921
13/32	0.4063	10.32
27/64	0.4219	10.716
7/16	0.4375	11.112
29/64	0.4531	11.509
15/32	0.4688	11.908
31/64	0.4844	12.304
1/2	0.5	12.7
33/64	0.5156	13.096
17/32	0.5313	13.495
35/64	0.5469	13.891
9/16	0.5625	14.287
37/64	0.5781	14.684
19/32	0.5938	15.083
39/64	0.6094	15.479
5/8	0.625	15.875
41/64	0.6406	16.271
21/32	0.6563	16.67
43/64	0.6719	17.066
11/16	0.6875	17.462

Fraction	Decimal (inches)	Decimal (metric)
45/64	0.7031	17.859
23/32	0.7188	18.258
47/64	0.7344	18.654
3/4	0.75	19.05
49/64	0.7656	19.446
25/32	0.7813	19.845
51/64	0.7969	20.241
13/16	0.8125	20.637
53/64	0.8281	21.034
27/32	0.8438	21.433
55/64	0.8594	21.829
7/8	0.875	22.225
57/64	0.8906	22.621
29/32	0.9063	23.02
59/64	0.9219	23.416
15/16	0.9375	23.812
61/64	0.9531	24.209
31/32	0.9688	24.608
63/64	0.9844	25.004
1	1	25.4



Fasteners

SHP

Rivets

Aluminum Brazier Head

	Diameter	Length	Head Diameter	Material	Count Per Pound
RVT6-222A	3/16 in.	3/8 in.	1/2 in.	Soft	523
RVT6-222	3/16 in.	3/8 in.	1/2 in.	Hard	523
RVT6-223A	3/16 in.	7/16 in.	1/2 in.	Soft	480
RVT6-223	3/16 in.	7/16 in.	1/2 in.	Hard	480
RVT6-224A	3/16 in.	1/2 in.	1/2 in.	Soft	443
RVT6-224	3/16 in.	1/2 in.	1/2 in.	Hard	443
RVT6-225	3/16 in.	9/16 in.	1/2 in.	Hard	411
RVT6-226A	3/16 in.	5/8 in.	1/2 in.	Soft	384
RVT6-226	3/16 in.	5/8 in.	1/2 in.	Hard	384
RVT6-228	3/16 in.	3/4 in.	1/2 in.	Hard	338
RVT6-262	1/4 in.	3/8 in.	5/8 in.	Hard	257
RVT6-263	1/4 in.	7/16 in.	5/8 in.	Hard	238
RVT6-264A	1/4 in.	1/2 in.	5/8 in.	Soft	222
RVT6-264	1/4 in.	1/2 in.	5/8 in.	Hard	222
RVT6-265	1/4 in.	9/16 in.	5/8 in.	Hard	208
RVT6-266A	1/4 in.	5/8 in.	5/8 in.	Soft	195
RVT6-266	1/4 in.	5/8 in.	5/8 in.	Hard	195
BRV00005	1/4 in.	11/16 in.	5/8 in.	Hard	184
RVT6-268	1/4 in.	3/4 in.	5/8 in.	Hard	175
RVT6-269	1/4 in.	13/16 in.	5/8 in.	Hard	189
RVT6-27	1/4 in.	7/8 in.	5/8 in.	Hard	157
RVT6-271	1/4 in.	1 in.	5/8 in.	Hard	143
RVT6-28	1/4 in.	15/16 in.	5/8 in.	Hard	150
RVT6-68	3/8 in.	3/4 in.	15/16 in.	Hard	66
RVT6-307	5/16 in.	5/8 in.	3/4 in.	Hard	113
RVT6-309	5/16 in.	3/4 in.	3/4 in.	Hard	102



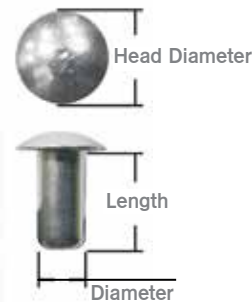
Fasteners

SHP

Rivets

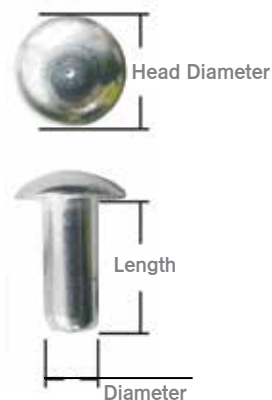
Aluminum Modified Brazier Head

	Diameter	Length	Head Diameter	Count Per Pound
RVT10-222	3/16 in.	3/8 in.	7/16 in.	649
RVT10-223	3/16 in.	7/16 in.	7/16 in.	584
RVT10-224	3/16 in.	1/2 in.	7/16 in.	531
RVT10-262	1/4 in.	3/8 in.	1/2 in.	369
RVT10-263	1/4 in.	7/16 in.	1/2 in.	331
RVT10-264	1/4 in.	1/2 in.	1/2 in.	300
RVT10-265	1/4 in.	9/16 in.	1/2 in.	274
RVT10-266	1/4 in.	5/8 in.	1/2 in.	253
RVT10-268	1/4 in.	3/4 in.	1/2 in.	218
RVT10-272	1/4 in.	1-1/8 in.	1/2 in.	155
RVT10-273	1/4 in.	1-1/8 in.	1/2 in.	155
RVT10-310	5/16 in.	5/16 in.	13/16 in.	121
RVT10-311	5/16 in.	5/16 in.	7/8 in.	113
RVT10-307	5/16 in.	5/8 in.	5/8 in.	145
RVT10-309	5/16 in.	3/4 in.	5/8 in.	128



Aluminum Universal Head

	Diameter	Length	Head Diameter	Count Per Pound
RVT1-222	3/16 in.	3/8 in.	3/8 in.	633
RVT1-223	3/16 in.	7/16 in.	3/8 in.	571
RVT1-224	3/16 in.	1/2 in.	3/8 in.	521
RVT1-226	3/16 in.	5/8 in.	3/8 in.	441
RVT1-262	1/4 in.	3/8 in.	1/2 in.	306
RVT1-263	1/4 in.	7/16 in.	1/2 in.	279
RVT1-264	1/4 in.	1/2 in.	1/2 in.	257
RVT1-266	1/4 in.	5/8 in.	1/2 in.	222
RVT1-268	1/4 in.	3/4 in.	1/2 in.	195
RVT1-27	1/4 in.	7/8 in.	1/2 in.	174
RVT1-271	1/4 in.	1 in.	1/2 in.	157
RVT1-305	5/16 in.	1/2 in.	5/8 in.	151
RVT1-307	5/16 in.	5/8 in.	5/8 in.	132
RVT1-309	5/16 in.	3/4 in.	5/8 in.	117
RVT1-310	5/16 in.	7/8 in.	1/2 in.	105
RVT1-67	3/8 in.	5/8 in.	29/64 in.	69
RVT1-68	3/8 in.	3/4 in.	3/4 in.	81
RVT1-69	3/8 in.	13/16 in.	3/4 in.	77
RVT1-7	3/8 in.	7/8 in.	3/4 in.	73
RVT1-71	3/8 in.	1 in.	3/4 in.	66



Fasteners

SHP

Rivets

Monobolt Pull

	Mandrel	Body	Type	Diameter	Length	Grip Range
AVD2774-0617	Aluminum	Aluminum	Protruding	3/16 in.	37/64 in.	0.062 - 0.437
AVD2774-0817	Aluminum	Aluminum	Protruding	1/4 in.	9/16 in.	0.080 - 0.375
AVD2774-0824	Aluminum	Aluminum	Protruding	1/4 in.	35/64 in.	0.080 - 0.625
HUKMGLPB810	Aluminum	Aluminum	Protruding	1/4 in.	13/16 in.	0.350 - 0.625
HUKMGLP-B8-E	Aluminum	Aluminum	Protruding	1/4 in.	33/64 in.	0.080 - 0.625
HUKMGLPR64	Steel	Steel	Protruding	3/16 in.	27/64 in.	0.062 - 0.270
HUKMGLPR67	Steel	Steel	Protruding	3/16 in.	37/64 in.	0.214 - 0.437
RVB60558600	Steel	Steel	Protruding	1/4 in.	9/16 in.	0.080 - 0.375
RVB60558100	Steel	Steel	Protruding	1/4 in.	13/16 in.	0.350 - 0.625
HUKMGL100-R8-8	Steel	Steel	Countersunk	1/4 in.	13/32 in.	0.160 - 0.475
AVD2711-0817	Stainless Steel	Stainless Steel	Protruding	1/4 in.	9/16 in.	0.080 - 0.375
HUKMGL100-U8-8	Stainless Steel	Stainless Steel	Countersunk	1/4 in.	21/32 in.	0.160 - 0.475
HUKMGLPU810	Stainless Steel	Stainless Steel	Protruding	1/4 in.	33/64 in.	0.350 - 0.625



Lock Bolt

	Diameter	Length	Grip Range	Material
WABPRV00241	3/8 in.	1 in.	0.812 - 1.063	Steel



Lock Bolt Collar

	Type	Diameter	Material
HUKMGC-R6U	Standard	3/16 in.	Steel
HUKMGC-R8U	Standard	1/4 in.	Steel
HUKHBMGCF12	Standard	3/8 in.	Aluminum
HUKHBMGCR12U	Standard	3/8 in.	Steel
WABPRV00242	Flanged	3/8 in.	Steel



Shaveable Rivet

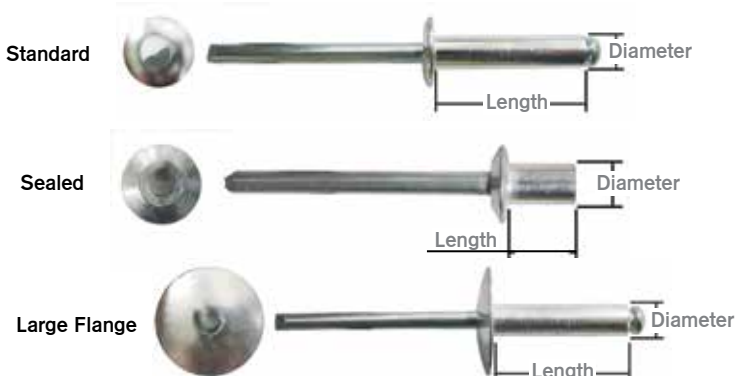
	Type	Mandrel	Body	Diameter	Length	Grip Range
LAFXOYRV660788W	Kit of 25	Aluminum	Aluminum	1/4 in.	1/2 in.	0.050 - 0.500



Rivets

Pop Pull

	Type	Mandrel	Body	Diameter	Length	Grip Range
POPAD64ABS	Standard	Aluminum	Aluminum	3/16 in.	7/16 in.	0.126 - 0.250
POPAD66ABS	Standard	Aluminum	Aluminum	3/16 in.	37/64 in.	0.251 - 0.375
POPAD612ABS	Standard	Aluminum	Aluminum	3/16 in.	15/16 in.	0.626 - 0.750
POPAD812ABS	Standard	Aluminum	Aluminum	1/4 in.	1 in.	0.501 - 0.750
POPAD64BS	Standard	Steel	Aluminum	3/16 in.	7/16 in.	0.126 - 0.250
POPAD66BS	Standard	Steel	Aluminum	3/16 in.	37/64 in.	0.251 - 0.375
POPAD68BS	Standard	Steel	Aluminum	3/16 in.	11/16 in.	0.376 - 0.500
POPAD610BS	Standard	Steel	Aluminum	3/16 in.	13/16 in.	0.501 - 0.625
POPXAD84BS	Standard	Steel	Aluminum	1/4 in.	31/64 in.	0.063 - 0.250
POPXAD86BS	Standard	Steel	Aluminum	1/4 in.	5/8 in.	0.251 - 0.375
POPXAD88BS	Standard	Steel	Aluminum	1/4 in.	47/64 in.	0.376 - 0.500
POPXAD810BS	Standard	Steel	Aluminum	1/4 in.	7/8 in.	0.501 - 0.625
POPXAD812BS	Standard	Steel	Aluminum	1/4 in.	63/64 in.	0.626 - 0.750
POPXAD816BS	Standard	Steel	Aluminum	1/4 in.	1-15/64 in.	0.751 - 1.00
POPADSD86BS	Standard	Steel	Steel	1/4 in.	5/8 in.	0.251 - 0.375
POPADSD88BS	Standard	Steel	Steel	1/4 in.	47/64 in.	0.376 - 0.500
POPAD62AH	Sealed	Aluminum	Aluminum	3/16 in.	21/64 in.	0.063 - 0.125
POPAD64AH	Sealed	Aluminum	Aluminum	3/16 in.	7/16 in.	0.126 - 0.250
POPAD66AH	Sealed	Aluminum	Aluminum	3/16 in.	37/64 in.	0.251 - 0.375
POPAD62H	Sealed	Steel	Aluminum	3/16 in.	21/64 in.	0.063 - 0.125
POPAD64H	Sealed	Steel	Aluminum	3/16 in.	7/16 in.	0.126 - 0.250
POPAD66H	Sealed	Steel	Aluminum	3/16 in.	37/64 in.	0.251 - 0.375
POPAD68H	Sealed	Steel	Aluminum	3/16 in.	11/16 in.	0.376 - 0.500
POPAD66ABSLF	Large Flange	Aluminum	Aluminum	3/16 in.	37/64 in.	0.251 - 0.375
POPAD66BSLF	Large Flange	Steel	Aluminum	3/16 in.	37/64 in.	0.251 - 0.375
POPAD68BSLF	Large Flange	Steel	Aluminum	3/16 in.	11/16 in.	0.376 - 0.500
POPAD610BSLF	Large Flange	Steel	Aluminum	3/16 in.	53/64 in.	0.501 - 0.625
POPAD612BSLF	Large Flange	Steel	Aluminum	3/16 in.	15/16 in.	0.626 - 0.750



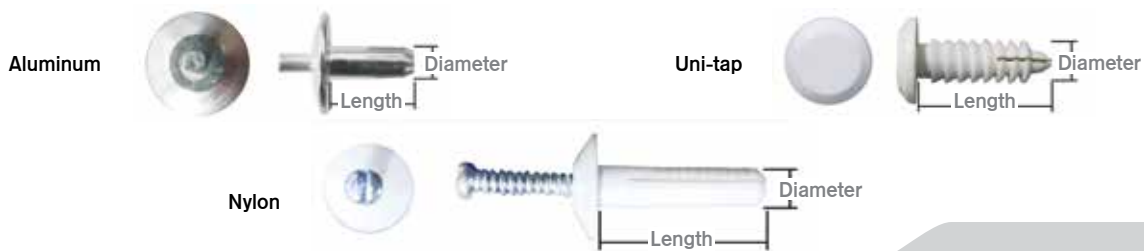
Fasteners

SHP

Rivets

Tapit

	Diameter	Length	Material	Pin	Count
RVB10-13-706-13	3/16 in.	3/8 in.	Aluminum	Aluminum	100
RVB2-2A	1/4 in.	3/4 in.	Nylon	Steel	100
RVB2-2B	1/4 in.	3/4 in.	Nylon	Steel	250
RVB2-2	1/4 in.	3/4 in.	Nylon	Steel	1,000
RVB2-3A	1/4 in.	1.00 in.	Nylon	Steel	100
RVB2-3B	1/4 in.	1.00 in.	Nylon	Steel	250
RVB2-3	1/4 in.	1.00 in.	Nylon	Steel	1,000
RVB2-4B	1/4 in.	1-1/2 in.	Nylon	Steel	250
RVB2-4	1/4 in.	1-1/2 in.	Nylon	Steel	500
RVB2-5	1/4 in.	2.00 in.	Nylon	Steel	500
RVB2-6B	1/4 in.	3.00 in.	Nylon	Steel	250
RVB2-6	1/4 in.	3.00 in.	Nylon	Steel	100
RVB1-1	1/4 in.	1.00 in.	Uni-tap	Nylon	1,000

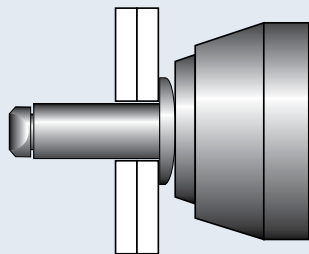


Installation Procedure

Pull Rivet

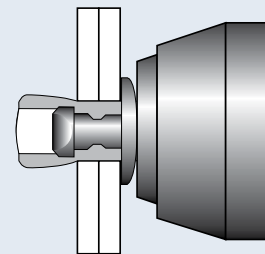
Step 1

Insert the mandrel into the nose tip of the tool. Vertically insert the rivet body in an assembly hole in the workpiece to be joined.



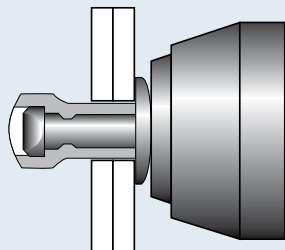
Step 3

The rivet is set by pulling the mandrel head into the rivet body, expanding it, and forming a strong, tight, reliable joint.



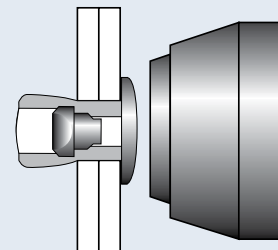
Step 2

Press the tool trigger. The jaws of the tool will catch hold of the mandrel.



Step 4

When the predetermined force is applied, the mandrel breaks and falls away.



Fasteners

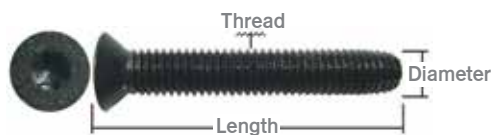
SHP

Screws

Torx Flat Head

	Diameter	Thread	Length	Material	Count
PROF5-516	1/4 in.	20	1 in.	Steel	100
PROF5-516B	1/4 in.	20	1 in.	Steel	1,000
PROF5-521	1/4 in.	20	1-1/4 in.	Steel	100
PROF5-521B	1/4 in.	20	1-1/4 in.	Steel	1,000
PROF5-527	1/4 in.	20	1-1/2 in.	Steel	100
PROF5-527B	1/4 in.	20	1-1/2 in.	Steel	1,000
PROF5-538	1/4 in.	20	2 in.	Steel	100
PROF5-538B	1/4 in.	20	2 in.	Steel	2,000
PROF5-543	1/4 in.	20	2-1/4 in.	Steel	100
PROF5-543B	1/4 in.	20	2-1/4 in.	Steel	1,500
PROF5-549	1/4 in.	20	2-1/2 in.	Steel	100
PROF5-549B	1/4 in.	20	2-1/2 in.	Steel	1,200
PROF5-560	1/4 in.	20	3 in.	Steel	100
PROF5-560B	1/4 in.	20	3 in.	Steel	1,000
PROF5-580	1/4 in.	20	4 in.	Steel	50
PROF5-580B	1/4 in.	20	4 in.	Steel	700
PROF5-603	1/4 in.	20	5 in.	Steel	50
PROF5-603B	1/4 in.	20	5 in.	Steel	1,000
SCR5-624	1/4 in.	20	6 in.	Steel	25
PROF5-635	5/16 in.	18	3/4 in.	Steel	100
PROF5-640	5/16 in.	18	1 in.	Steel	100
PROF5-640B	5/16 in.	18	1 in.	Steel	2,000
PROF5-646	5/16 in.	18	1-1/4 in.	Steel	100
PROF5-651	5/16 in.	18	1-1/2 in.	Steel	100
PROF5-651B	5/16 in.	18	1-1/2 in.	Steel	1,800
PROF5-662	5/16 in.	18	2 in.	Steel	100
PROF5-662B	5/16 in.	18	2 in.	Steel	1,250
PROF5-668	5/16 in.	18	2-1/4 in.	Steel	100
PROF5-668B	5/16 in.	18	2-1/4 in.	Steel	1,000
PROF5-673	5/16 in.	18	2-1/2 in.	Steel	100
PROF5-673B	5/16 in.	18	2-1/2 in.	Steel	900
PROF5-684B	5/16 in.	18	3 in.	Steel	750
PROF5-690	5/16 in.	18	4 in.	Steel	50
PROF5-690B	5/16 in.	18	4 in.	Steel	500
PROF5-691	5/16 in.	18	5 in.	Steel	1
SCWF8799767-0182	11/32 in.	18	2-1/4 in.	Steel	1,000

Self Threading



pro-par
OUR PARTS. YOUR PARTS.

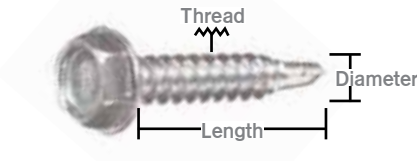
Fasteners

SHP

Screws

Hex Washer Head Tek

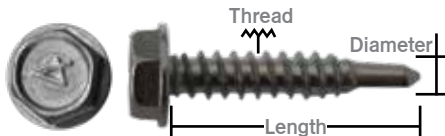
Length	#10 - 16	#12 - 14	#14 - 14
1/2 in.	SCR-SMSTKH1002		
5/8 in.	SCR-SMSTKH1005		
3/4 in.	SCR-SMSTKH1003	SCR-SMSTKH1203	SCR-SMSTKH1403
1 in.	SCR-SMSTKH1010	SCR-SMSTKH1210	SCR-SMSTKH1410
1-1/4 in.	SCR-SMSTKH1011	SCR-SMSTKH1211	
1-1/2 in.	SCR-SMSTKH1012	SCR-SMSTKH1212	SCR-SMSTKH1412
1-3/4 in.			SCR-SMSTKH1413
2 in.	SCR-SMSTKH1020	SCR-SMSTKH1220	SCR-SMSTKH1420
2-1/2 in.			SCR-SMSTKH1422
3 in.			SCR-SMSTKH1430



Pro-Par

Hex Washer Head Tek

Diameter	Thread	Length	
#10	16	3/4 in.	SCR-SSSMSTKH1003
#10	16	1 in.	SCR-SSSMSTKH1010
#10	16	1-1/2 in.	SCR-SSSMSTKH1012

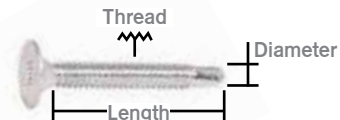


Stainless Steel

Pro-Par

Phillips Plywood Lining

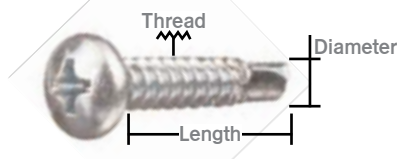
Diameter	Thread	Length	
#10	24	3/4 in.	SCR-SMSTKW1003
#10	24	1 in.	SCR-SMSTKW1010
#10	24	1-1/2 in.	SCR-SMSTKW1012



Pro-Par

Phillips Pan Head Tek

Length	#6 - 20	#8 - 18	#10 - 16
1/2 in.	SCR-SMSTKP0602	SCR-SMSTKP0802	SCR-SMSTKP1002
5/8 in.			SCR-SMSTKP1005
3/4 in.	SCR-SMSTKP0603	SCR-SMSTKP0803	SCR-SMSTKP1003
1 in.	SCR-SMSTKP0610	SCR-SMSTKP0810	SCR-SMSTKP1010
1-1/2 in.			SCR-SMSTKP1012



Pro-Par

Fasteners



SHP

Screws

Specialty

	Diameter	Thread	Length	Material	Additional Information
BLT00646					E-Track
BBTP7440-0026	5/16 in.	18	1-1/2 in.		T40, 6 Lobe
MTR1199K3859					Set Screw
SCR5-45656	5/16 in.	18	1-1/4 in.		Pan Head Torx
SCR6-649	5/16 in.	18	1-3/4 in.	Steel	Thread Cutting Pan Head Torx
SCR12-662A	5/16 in.	18	2 in.	Zinc Plated/ Steel	Thread Forming Pan Head Torx
SCR60270420	#10	16	1-1/4 in.	Steel	Plywood
SCRSTLPL1003	#10		3/4 in.		Liner
SCRSTLPL1010	#10		1 in.		Liner
WABBLT01004	#10	24	1/2 in.	Zinc	Pan Head
SCWF3911669-99	#6		1 in.		Deck
SCWF8719744-3582	#16	10	2 in.		Pan Head Torx
TSCNCA-055	13/64 in.	24	1 in.	Stainless Steel	Pan Head Torx - Type F
WABBLT00081	5/16 in.	18	2-1/2 in.		Thread Forming Floor Screw



(TSCNCA-055)

(SCR6-649)

(SCR12-662A)

(SCR60270420)

Identification

Drives

Screw Types



Slotted



One-Way Slot



Phillips (Type 1)



Phillips/Slot Combination



Phillips (Type 1A)



1A/Slot Combination



Phillips/Hex



Fearnson (Type 2)



Quadrex Combination



Square



Square/Slot Combination



Hex Socket



Hex



Hex Washer

Head Styles



Flat 82°



Flat Undercut



Flat 100°



Oval



Oval Undercut



Pan



Round



Binding



Truss



Hexagon



Washer



Hex Washer



Plain



Fillister



Hex Washer Slotted

Fasteners

SHP

Washers

Fender

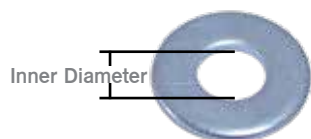
Inner Diameter	Outer Diameter	Grade 5, Plain	Stainless Steel
1/4 in.	1-1/4 in.	WSH-WWF04	WSH-SSWWF04
5/16 in.	1-1/4 in.		WSH-SSWWF0511
5/16 in.	1-1/2 in.	WSH-WWF05	WSH-SSWWF05
3/8 in.	1-1/4 in.	WSH-WWF06	WSH-SSWWF06
3/8 in.	1-1/2 in.		WSH-SSWWF0612



Pro-Par

Flat

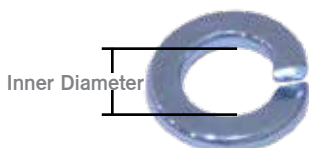
Inner Diameter	Grade 5, USS	Grade 8, USS	Grade 5, SAE	Grade 8, SAE
1/4 in.	WSH-WWU04	WSH-WWU804	WSH-WWS04	WSH-WWS804
5/16 in.	WSH-WWU05	WSH-WWU805	WSH-WWS05	WSH-WWS805
3/8 in.	WSH-WWU06	WSH-WWU806	WSH-WWS06	WSH-WWS806
7/16 in.	WSH-WWU07	WSH-WWU807	WSH-WWS07	WSH-WWS807
1/2 in.	WSH-WWU08	WSH-WWU808	WSH-WWS08	WSH-WWS808
5/8 in.	WSH-WWU10	WSH-WWU810	WSH-WWS10	WSH-WWS810
3/4 in.	WSH-WWU12	WSH-WWU812	WSH-WWS12	WSH-WWS812
7/8 in.	WSH-WWU14	WSH-WWU814	WSH-WWS14	WSH-WWS814
1 in.	WSH-WWU16	WSH-WWU816	WSH-WWS16	WSH-WWS816



Pro-Par

Lock

Inner Diameter	Grade 5, Low Carbon Plated	Grade 8, Plated
1/4 in.	WSH-WWL04	WSH-WWL804
5/16 in.	WSH-WWL05	WSH-WWL805
3/8 in.	WSH-WWL06	WSH-WWL806
7/16 in.	WSH-WWL07	WSH-WWL807
1/2 in.	WSH-WWL08	WSH-WWL808
5/8 in.	WSH-WWL10	WSH-WWL810
3/4 in.	WSH-WWL12	WSH-WWL812



Pro-Par

Fasteners



SHP

Washers

Specialty

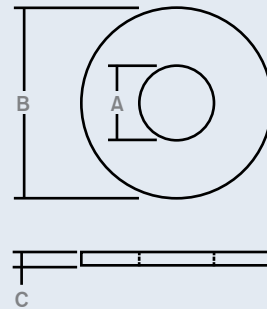
	Type	Inner Diameter	Outer Diameter	Material
FRUFCA5557				
WSHF4821008-07	Hardened	3/8 in.		
WSH77613	Flat SAE	13/32 in.	13/16 in.	Steel
WSH-CC01	Ram Mount			10 ga. Steel
WSH-WWLI16	Internal Lock	1 in.		Grade 5
WSH-WWL810	Lock	5/8 in.		Grade 8
WSH-WWS808	Flat	1/2 in.		Grade 8



Dimensions

USS and SAE Washers

Size	USS			SAE		
	Inside Diameter (A)	Outside Diameter (B)	Thickness (C)	Inside Diameter (A)	Outside Diameter (B)	Thickness (C)
#2	-	-	-	0.094	0.250	0.020
#4	-	-	-	0.125	0.313	0.032
#6	-	-	-	0.156	0.375	0.049
#8	-	-	-	0.188	0.438	0.049
#10	-	-	-	0.219	0.500	0.049
#12	-	-	-	0.250	0.563	0.065
0.250	0.313	0.734	0.065	0.281	0.625	0.065
0.313	0.375	0.875	0.083	0.344	0.688	0.065
0.375	0.438	1.000	0.083	0.406	0.813	0.065
0.438	0.500	1.250	0.083	0.469	0.938	0.065
0.500	0.563	1.375	0.109	0.531	1.063	0.095
0.563	0.625	1.469	0.109	0.594	1.156	0.095
0.625	0.688	1.750	0.134	0.656	1.313	0.095
0.750	0.813	2.000	0.148	0.813	1.469	0.134
0.875	0.938	2.250	0.165	0.938	1.750	0.134
1.000	1.063	2.500	0.165	1.063	2.000	0.134
1.125	1.250	2.750	0.165	-	-	-
1.250	1.375	3.00	0.165	-	-	-
1.375	1.500	3.250	0.180	-	-	-
1.500	1.625	3.500	0.180	-	-	-
1.625	1.750	3.750	0.180	-	-	-
1.750	1.875	4.000	0.180	-	-	-
2.000	2.125	4.500	0.213	-	-	-



USS Washer

The United States Standards (USS) is a standard for inch based washers. USS washers are often characterized as having slightly larger inside diameter & outside diameter to accommodate coarse or larger bolt threads.

SAE Washer

The Society of Automotive Engineers (SAE) standard washers. These washers are often characterized by being produced from a thinner material & having slightly smaller inside diameters & outside diameters than standard USS Washers.

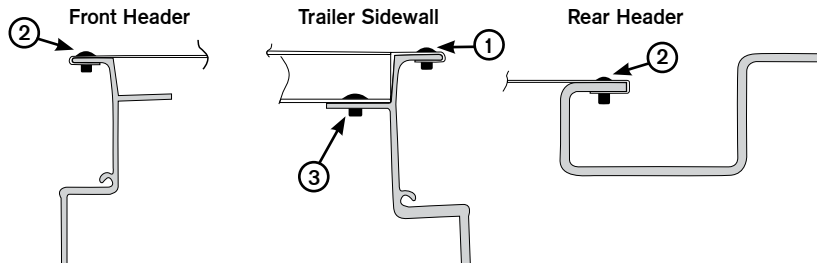
FRUEHAUF

Fasteners

SHP

Aluminum Roof

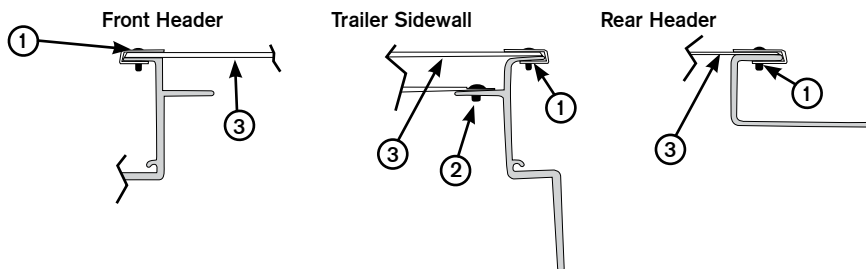
Roof Fasteners



Item	Part Number	Diameter	Length	Head Diameter	Description
1	RVT6-222	0.19 in.	0.38 in.	0.50 in.	Aluminum brazier head buck rivet
2	RVT6-224	0.19 in.	0.50 in.	0.50 in.	Aluminum brazier head buck rivet
3	RVT6-262	0.25 in.	0.38 in.	0.63 in.	Aluminum brazier head buck rivet

Translucent Roof

Roof Fasteners



Item	Part Number	Diameter	Length	Head Diameter	Description
1	RVT6-224	0.19 in.	0.50 in.	0.50 in.	Aluminum brazier head buck
2	RVT6-262	0.25 in.	0.38 in.	0.63 in.	Aluminum brazier head buck
3	FRUSTK30145-50^A	0.040 in. x 1-1/2 in. x 50 ft.			Aluminum double strip

Accessories

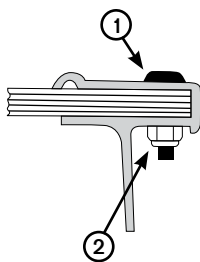
Blind Rivet
AVD2774-0824

J Moulding
WABE0821200

^APart included for reference only.

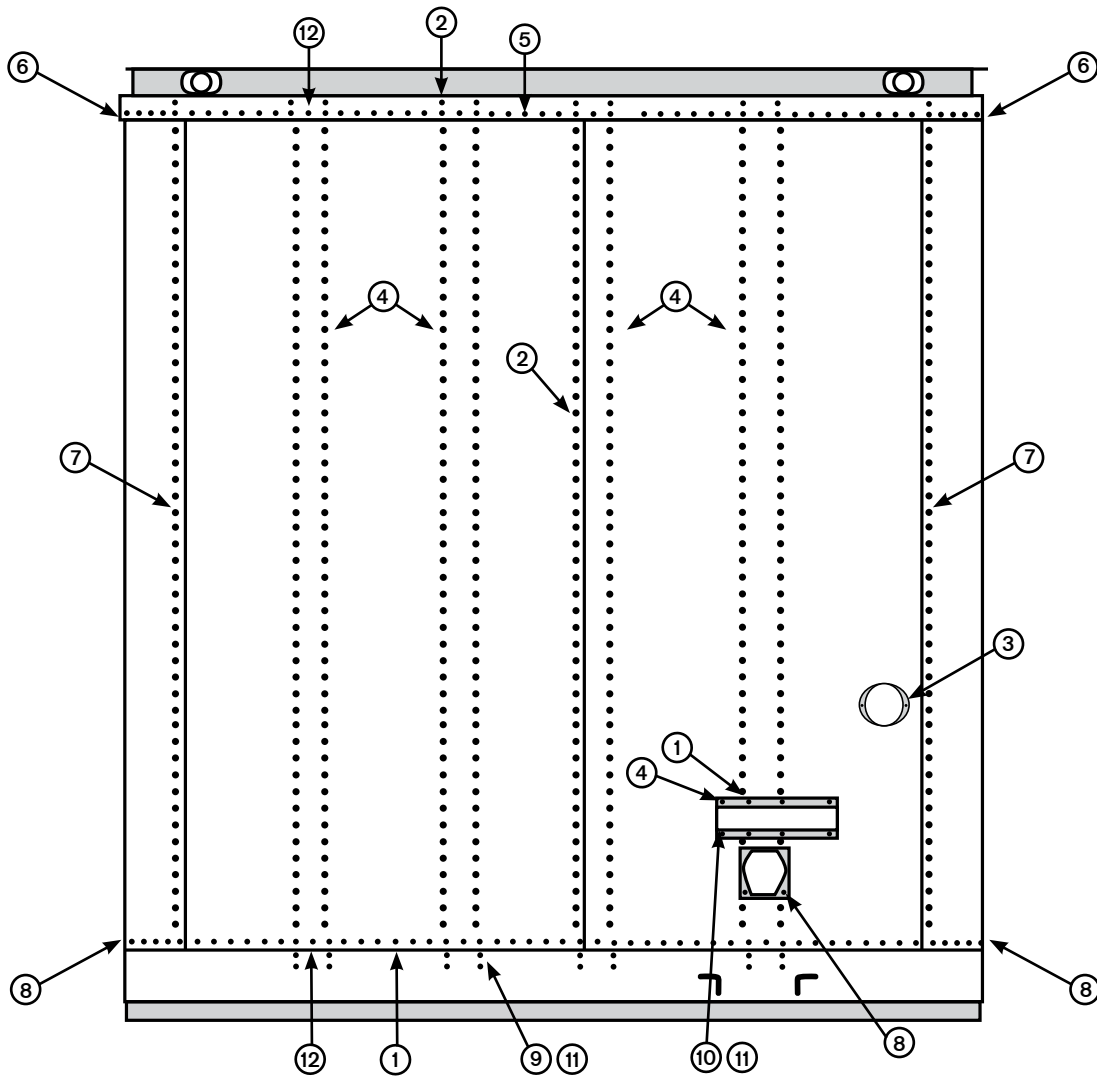
FRP Roof

Roof Fasteners



Item	Part Number	Diameter	Thread	Length	Description
1	SCW60753087	0.31 in.	18	1.38 in.	Torx style truss head bolt
2	NUT-HNUST05	0.31 in.	18		Nylon lock nut

Smooth Aluminum Nose



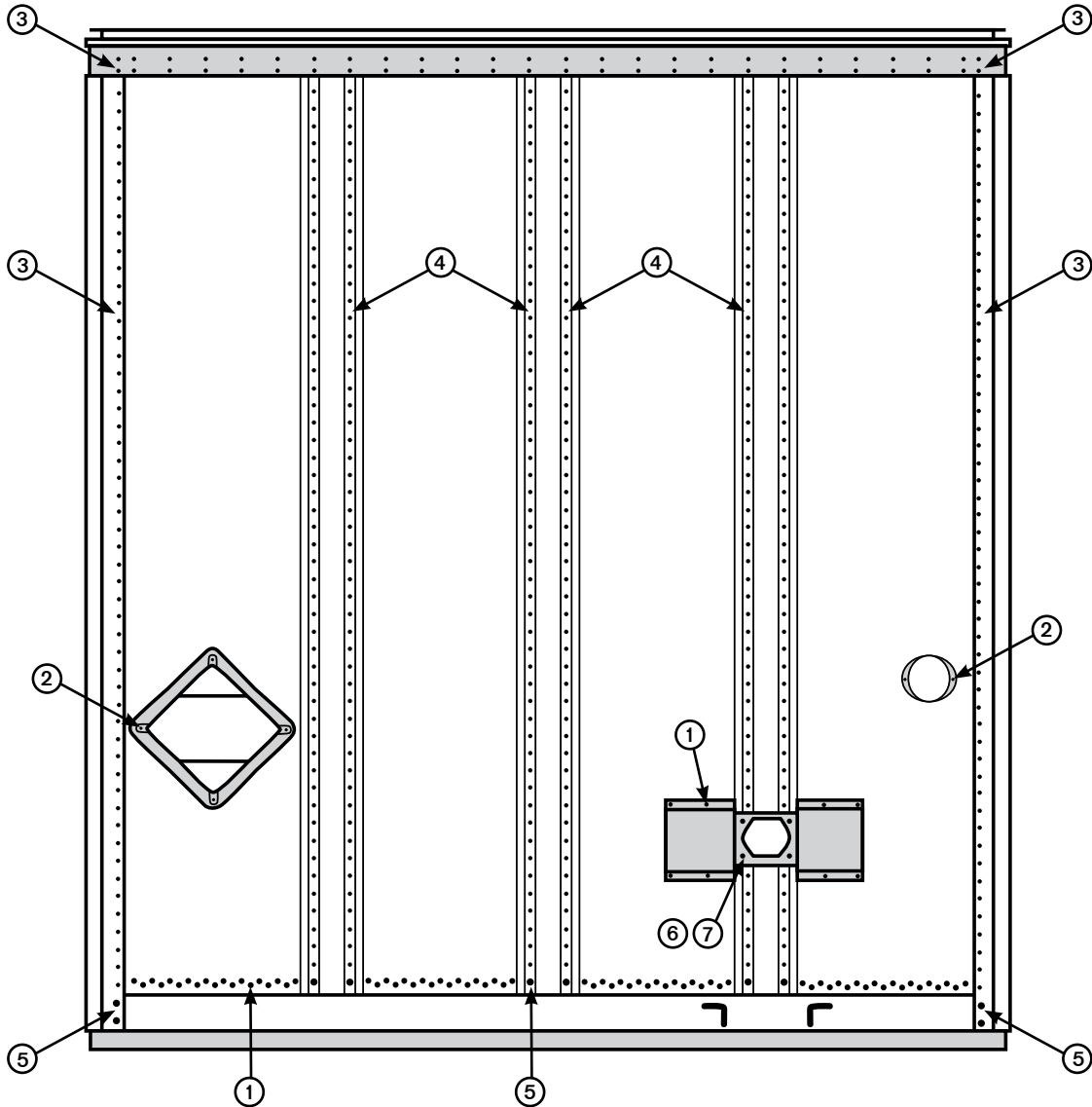
Fasteners Tech

SHP

Item	Part Number	Diameter	Length	Head Diameter	Description
1	RVT6-265	1/4 in.	9/16 in.	5/8 in.	Aluminum brazier head rivet
2	RVT1-263	1/4 in.	7/16 in.	1/2 in.	Aluminum universal head rivet
3	RVT6-222	3/16 in.	3/8 in.	1/2 in.	Aluminum brazier head rivet
4	RVT6-262	1/4 in.	3/8 in.	5/8 in.	Aluminum brazier head rivet
5	RVT10-262	1/4 in.	3/8 in.	1/2 in.	Alum. modified brazier head rivet
6	RVT6-265	1/4 in.	9/16 in.	5/8 in.	Aluminum brazier head rivet
7	RVT6-264	1/4 in.	1/2 in.	5/8 in.	Aluminum brazier head rivet
8	RVT6-266	1/4 in.	5/8 in.	5/8 in.	Aluminum brazier head rivet
9	BLT60753008	5/16 in.	1 in.	Thread: 18	Hex Bolt
10	BLT2-153[^]	5/16 in.	1 in.	Thread: 18	Carriage Bolt
11	NUT-HNUST05	5/16 in.	-	Thread: 18	Hex lock nut
12	AVD2774-0817	1/4 in.	9/19 in.	-	Aluminum monobolt rivet

[^]Part included for reference only.

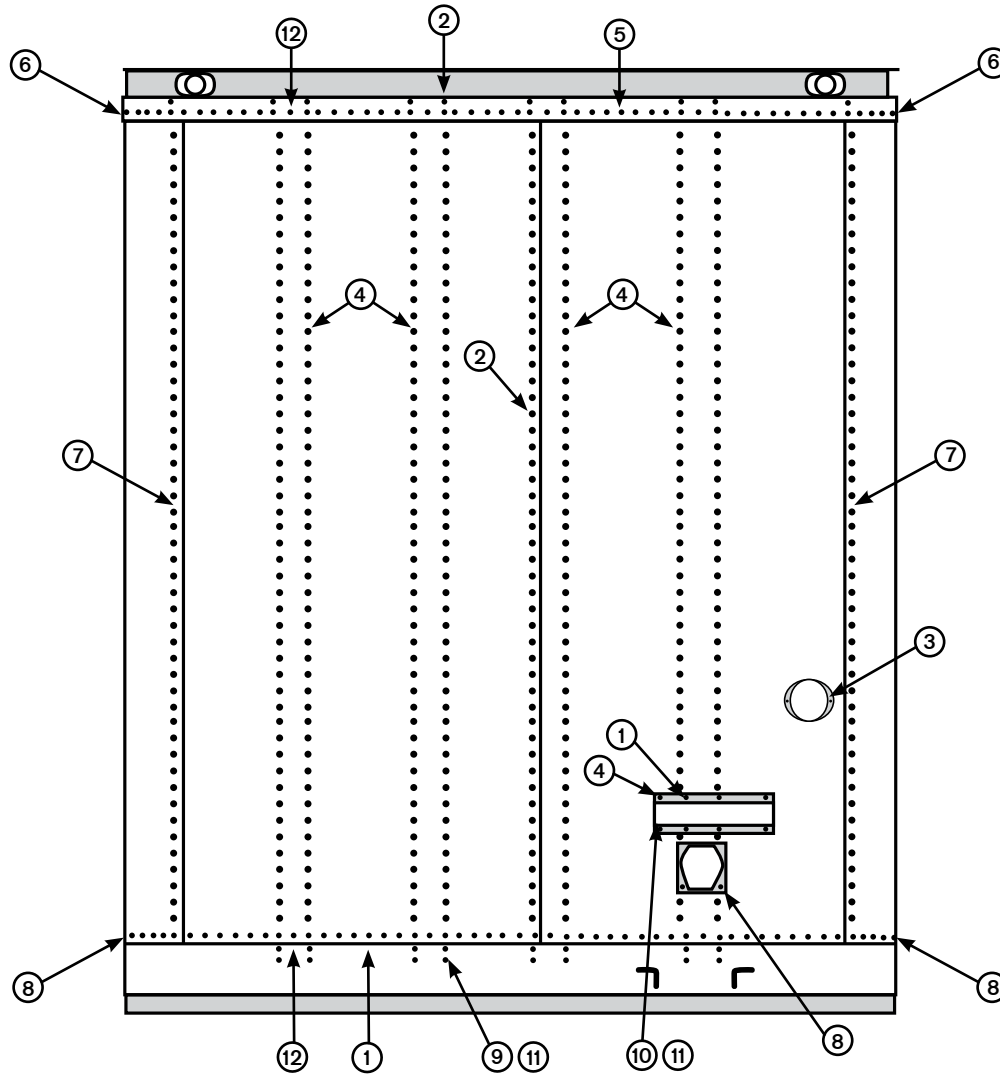
Aluminum Plate Nose



Item	Part Number	Diameter	Length	Head Diameter	Description
1	RVT1-263	1/4 in.	7/16 in.	1/2 in.	Aluminum universal head rivet
2	RVT6-224	3/16 in.	1/2 in.	1/2 in.	Aluminum brazier head rivet
3	RVT6-266	1/4 in.	5/8 in.	5/8 in.	Aluminum brazier head rivet
4	RVT10-268	1/4 in.	3/4 in.	1/2 in.	Aluminum modified brazier head rivet
5	RVT6-271	1/4 in.	1 in.	5/8 in.	Aluminum brazier head rivet
6	BLT2-153[^]	5/16 in.	1 in.	Thread: 18	Carriage bolt
7	NUT-HNUST05	5/16 in.	-	Thread: 18	Hex lock nut

[^]Part included for reference only.

DuraPlate® Nose

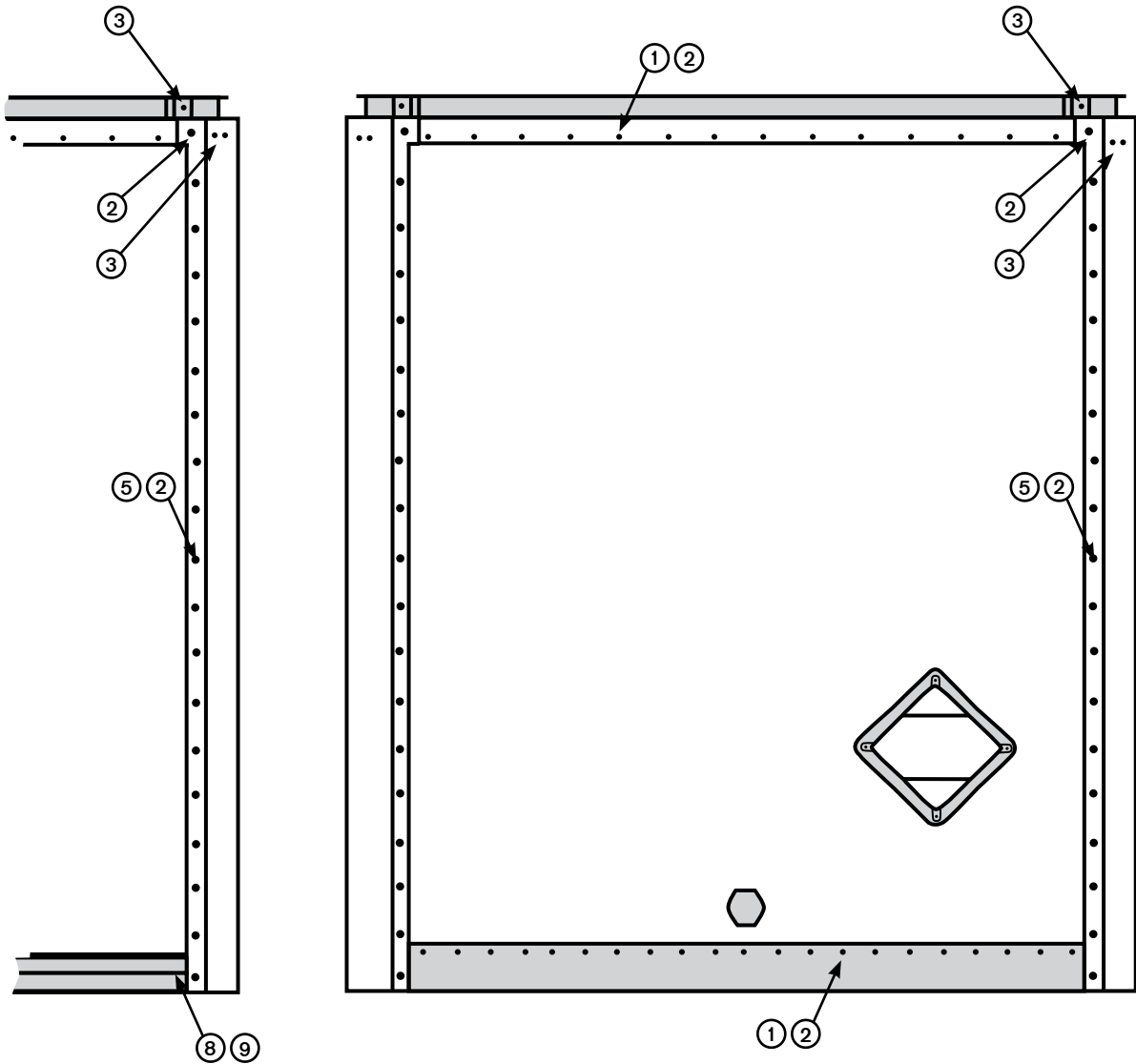


Fasteners Tech

SHP

Item	Part Number	Diameter	Length	Head Diameter	Description
1	RVT6-264	1/4 in.	1/2 in.	5/8 in.	Aluminum brazier head rivet
2	RVT6-265	1/4 in.	9/16 in.	5/8 in.	Aluminum brazier head rivet
3	RVT6-222	3/16 in.	3/8 in.	1/2 in.	Aluminum brazier head rivet
4	RVT1-263	1/4 in.	7/16 in.	1/2 in.	Aluminum universal head rivet
5	RVT1-262	1/4 in.	3/8 in.	1/2 in.	Aluminum universal head rivet
6	RVT6-266	1/4 in.	5/8 in.	5/8 in.	Aluminum brazier head rivet
7	RVT6-264	1/4 in.	1/2 in.	5/8 in.	Aluminum brazier head rivet
8	RVT6-266	1/4 in.	5/8 in.	5/8 in.	Aluminum brazier head rivet
9	BLT60753008	5/16 in.	1 in.	Thread: 18	Hex bolt
10	NUT-HNUST05	5/16 in.		Thread: 18	Hex lock nut
11	BLT11-230	5/16 in.	3/4 in.	Thread: 18	Carriage bolt
12	AVD2774-0817	1/4 in.	9/16 in.		Aluminum monobolt rivet

FRP Nose



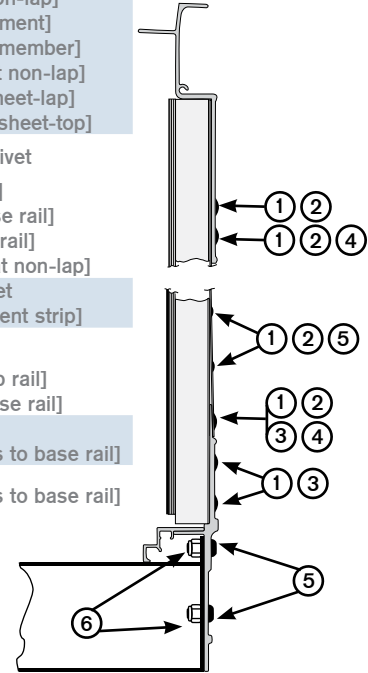
Fasteners Tech

SHP

Item	Part Number	Diameter	Length	Head Diameter	Description
1	BLT60753008	5/16 in.	1 in.	Thread: 18	Hex head bolt
2	NUT60752006	5/16 in.	5/8 in.	Thread: 18	Tee nut
3	RVT6-271	1/4 in.	1 in.	5/8 in.	Aluminum brazier head rivet
4	BLT60753008	5/16 in.	1 in.	Thread: 18	Hex head bolt
5	BLT9-9S	3/8 in.	1-7/8 in.	Thread: 16	Encapsulated FRP bolt
6	NUT-HNUNY806	3/8 in.	-	Thread: 16	Nylon lock nut

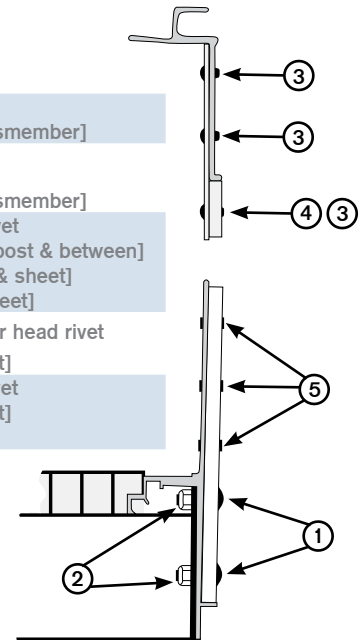
Smooth Aluminum Side

Item	Part Number	Diameter	Length	Head Diameter	Description / Attaches
1	RVT6-265	1/4 in.	9/16 in.	5/8 in.	Aluminum brazier head rivet [side post to top rail at non-lap] [side sheet to rear attachment] [side sheet to front crossmember] [side sheet to base rail at non-lap] [side post to top rail at sheet-lap] [side post to base rail at sheet-top]
2	RVT1-263	1/4 in.	7/16 in.	1/2 in.	Aluminum universal head rivet [side sheet to post at lap] [between side post & base rail] [between side post & top rail] [side sheet to side post at non-lap]
3	RVT6-266	1/4 in.	5/8 in.	5/8 in.	Aluminum brazier head rivet [base rail to rear attachment strip]
4	AVD2774-0817	1/4 in.	9/16 in.	-	Aluminum monobolt rivet [center of side post to top rail] [center of side post to base rail]
5	BLT60753162	3/8 in.	1 in.	Thread: 24	Button head base rail bolt [to secure crossmembers to base rail]
6	NUT-HNSNY06	3/8 in.	-	Thread: 24	Nylon lock nut [to secure crossmembers to base rail]



Aluminum Plate Side

Item	Part Number	Diameter	Length	Head Diameter	Description / Attaches
1	BLT60753162	3/8 in.	1 in.	Thread: 24	Button head base rail bolt [use at base rail to crossmember]
2	NUT-HNSNY06	3/8 in.	-	Thread: 24	Nylon lock nut [use at base rail to crossmember]
3	RVT6-266	1/4 in.	5/8 in.	5/8 in.	Aluminum brazier head rivet [used at top rail at side post & between] [use at rear attachment & sheet] [use at front corner & sheet]
4	RVT10-268	1/4 in.	3/4 in.	1/2 in.	Aluminum modified brazier head rivet [use at side post & sheet]
5	RVT60354400	1/4 in.	3/4 in.	-	Aluminum countersunk rivet [use at side post & sheet] [bottom 5 rivets only]



SHP Fasteners Tech

DuraPlate® 0.251 in. Side

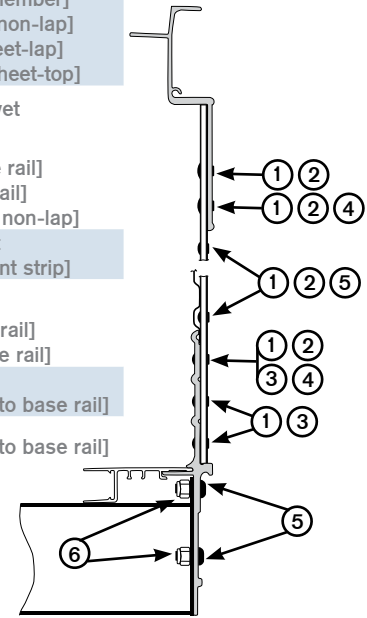
Item	Part Number	Diameter	Length	Head Diameter	Description / Attaches
1	RVT6-268	1/4 in.	3/4 in.	5/8 in.	Aluminum brazier head rivet [top rail to side sheet] [side sheet to bottom rail]
2	RVT6-269	1/4 in.	13/16 in.	5/8 in.	Aluminum brazier head rivet [top rail to side sheet] [use for HD rail]
3	RVT6-265	1/4 in.	9/16 in.	5/8 in.	Aluminum brazier head rivet [side sheet to side sheet]
4	RVT1-265	1/4 in.	9/16 in.	-	Aluminum universal head rivet [side sheet to side sheet]
5	BLTF8721668-96	3/8 in.	1 in.	Thread: 16	Button head base rail bolt [bottom rail to crossmembers]
6	NUT-HNUNY806	3/8 in.	-	Thread: 16	Nylon lock nut [bottom rail to crossmembers]

DuraPlate® 0.331 in. Side

Item	Part Number	Diameter	Length	Head Diameter	Description / Attaches
1	RVT6-269	1/4 in.	13/16 in.	5/8 in.	Aluminum brazier head rivet [top rail to side sheet] [use for HD rail]
2	RVT6-27	1/4 in.	7/8 in.	5/8 in.	Aluminum brazier head rivet [top rail to side sheet]
3	RVT6-266	1/4 in.	5/8 in.	5/8 in.	Aluminum brazier head rivet [side sheet to side sheet]
4	RVT1-266	1/4 in.	5/8 in.	1/2 in.	Aluminum universal head rivet [side sheet to side sheet]
5	BLTF8721668-96	3/8 in.	1 in.	Thread: 16	Button head base rail bolt [bottom rail to crossmembers]
6	NUT-HNUNY806	3/8 in.	-	Thread: 16	Nylon lock nut [bottom rail to crossmembers]

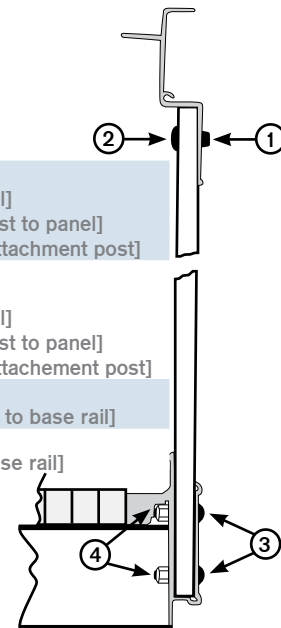
DuraPlate® Logistic Side

Item	Part Number	Diameter	Length	Head Diameter	Description / Attaches
1	RVT6-265	1/4 in.	9/16 in.	5/8 in.	Aluminum brazier head rivet [side post to top rail at non-lap] [side sheet to rear attachment] [side sheet to front crossmember] [side sheet to base rail at non-lap] [side post to top rail at sheet-lap] [side post to base rail at sheet-top]
2	RVT1-263	1/4 in.	7/16 in.	1/2 in.	Aluminum universal head rivet [side sheet to post at lap] [between side post & base rail] [between side post & top rail] [side sheet to side post at non-lap]
3	RVT6-266	1/4 in.	5/8 in.	5/8 in.	Aluminum brazier head rivet [base rail to rear attachment strip]
4	AVD2774-0817	1/4 in.	9/16 in.	-	Aluminum monobolt rivet [center of side post to top rail] [center of side post to base rail]
5	BLT60753162	3/8 in.	1 in.	Thread: 24	Button head base rail bolt [to secure crossmembers to base rail]
6	NUT-HNSNY06	3/8 in.	-	Thread: 24	Nylon lock nut [to secure crossmembers to base rail]



FRP Side

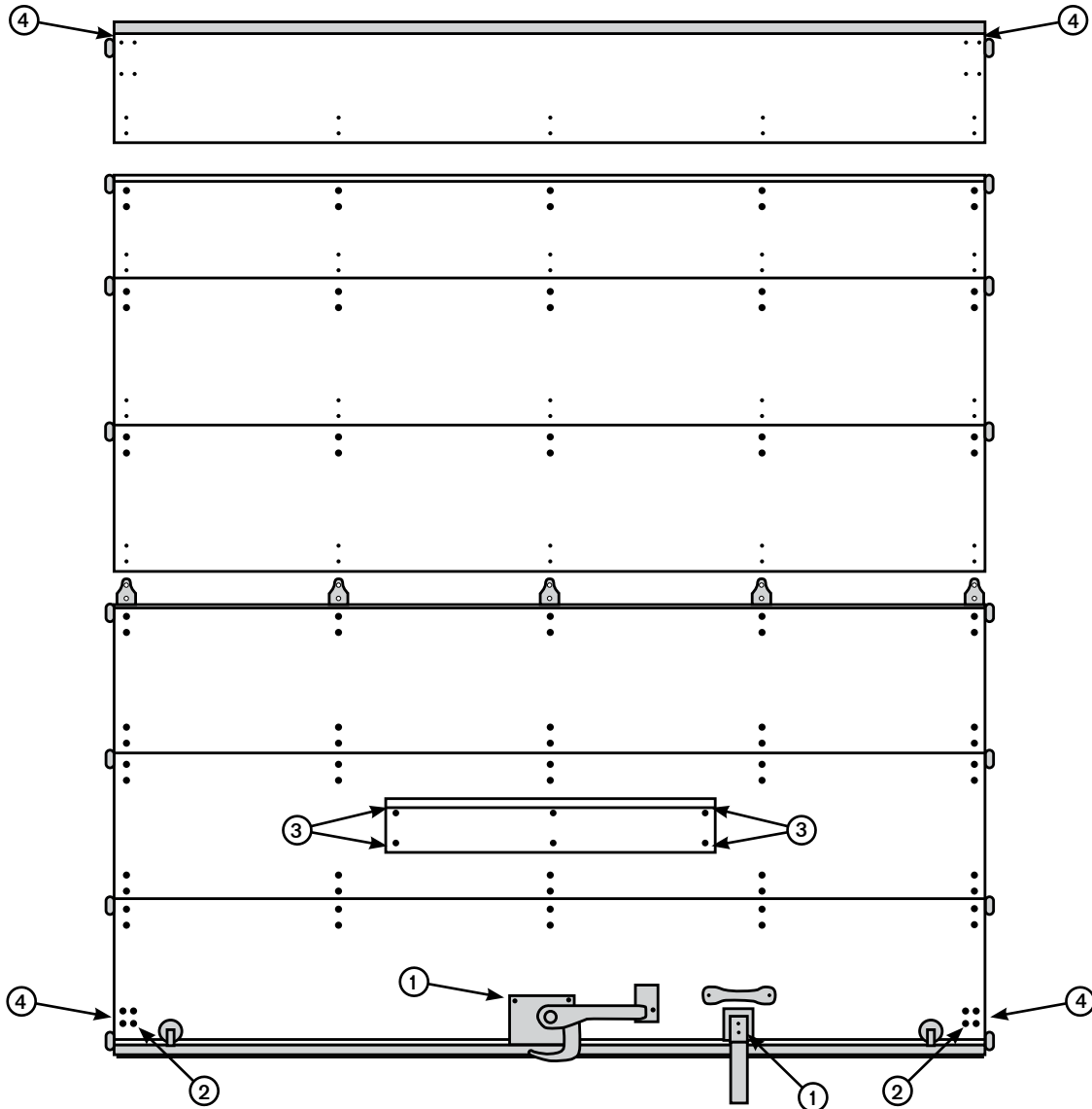
Item	Part Number	Diameter	Length	Head Diameter	Description / Attaches
1	BLT60753008	5/16 in.	1 in.	Thread: 18	Hex head bolt [used to secure top rail to panel] [used to secure front corner post to panel] [used to secure panel to rear attachment post]
2	NUT60752006	5/16 in.	-	Thread: 18	Tee nut [used to secure top rail to panel] [used to secure front corner post to panel] [used to secure panel to rear attachment post]
3	BLT60753101	3/8 in.	1-7/8 in.	Thread: 16	Truss head base rail bolt [used to secure crossmembers to base rail]
4	NUT-HNUNY806	3/8 in.	-	Thread: 16	Tee nut [to secure crossmembers to base rail]



Fasteners Tech

SHP

Pro-Par® Door Fasteners

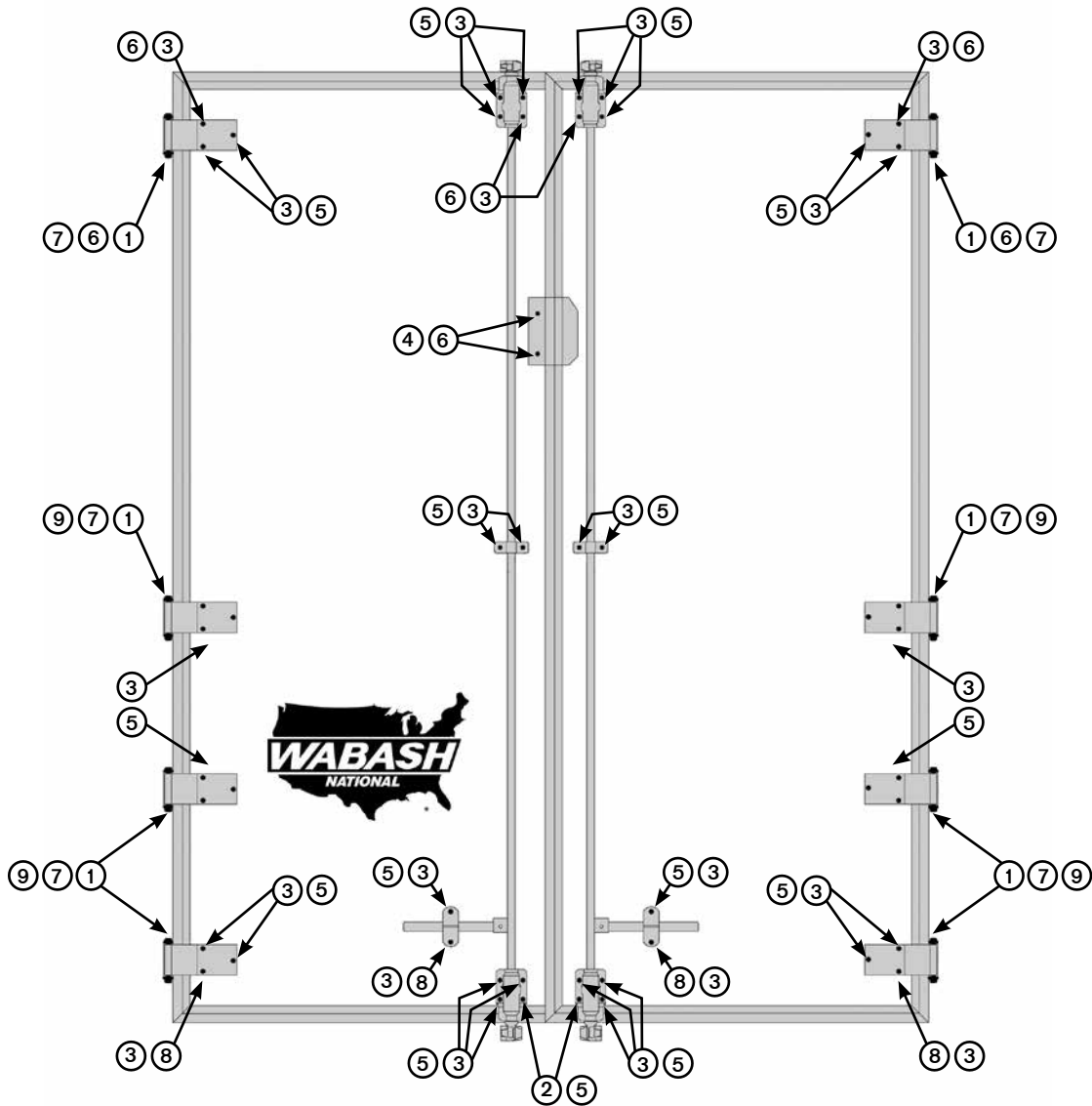


Fasteners Tech

SHP

Item	Part Number	Diameter	Length	Head Diameter	Description
1	RVT10-272	1/4 in.	1-1/8 in.	1/2 in.	Aluminum modified brazier head rivet
2	RVT6-271	1/4 in.	1 in.	5/8 in.	Aluminum brazier head rivet
3	RVT6-28	1/4 in.	15/16 in.	5/8 in.	Aluminum brazier head rivet
4	RVT6-27	1/4 in.	7/8 in.	5/8 in.	Aluminum brazier head rivet
5	SCW6-1250	3/8 in.	1-1/4 in.	-	Plywood screw

Wabash Door Fasteners



Fasteners Tech

SHP

Item	Part Number	Diameter	Length	Head Diameter	Description
1	BLT1-302	1/2 in.	4-1/2 in.	Thread: 13	Hex head bolt
2	BLT11-201	3/8 in.	1-3/4 in.	Thread: 16	Ribbed neck carriage bolt
3	BLT60753117	3/8 in.	1-1/2 in.	Thread: 16	Button head base rail bolt
4	BLT11-20	3/8 in.	1-1/2 in.	Thread: 16	Ribbed neck carriage bolt
5	NUT-HNUNY806	3/8 in.	-	Thread: 16	Nylon lock nut
6	NUT-HNUNY808	1/2 in.	-	Thread: 13	Nylon lock nut
7	WSH-WWS08	I.D. 1/4 in.	-	O.D. 1-1/16 in.	Zinc plated narrow washer
8	NUT15-1	3/8 in.	-	Thread: 16	Anti-theft nut
9	NUT00752149[^]	1/2 in.	-	Thread: 13	Anti-theft nut
10	TOL1-1	-	-	for NUT15-1	Anti-theft nut socket

[^]Part included for reference only.

Caulk

Adhesive

Silaprene Construction Adhesive SILCONAD



Royal Adhesives

- Saves time by reducing nailing or screw fastening
- 10.1 oz / 24 per case
- Application: Designed to bond gypsum board, FRP, plywood, shearwalls to wood or metal studs

SikaTack - Ultrafast SIK0268243



Sika

- High strength elastic adhesive
- Fast-curing, high-performance elastic gap-filling one-component polyurethane adhesive
- 10.1 oz / 24 per case; Black
- Application: Use when replacing direct glazed automotive glass parts

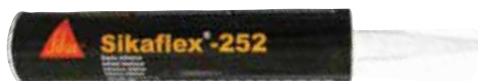
Sikaflex-252

Part Number Color

SIK252-521 White

SIK252-523 Black

- One-component high strength moisture-curing polyurethane adhesive with high thixotropy
- Bonds & seals at the same time; USDA approved for incidental food contact
- 10.3 fl oz / 24 per case
- Application: Bonds floor to subfloor; Bonds panels to corners or tabular frames; Bonds FRP roofs; Bonds trim & molding



Sika

Adhesive / Sealant

Sikaflex-221

Color / Container

SIK221-521 White / 10.1 fl oz cartridge

SIK221-201 White / Sausage

SIK221-522 Gray / 10.1 fl oz cartridge

SIK221-202 Gray / Sausage

SIK221-523 Black / 10.1 fl oz cartridge

- Multi-purpose, non-sag 1-c polyurethane sealant that cures on exposure to atmospheric humidity to form a durable elastomer
- Application: Use on wood, metals, metal primers & paint coatings, ceramics & plastics



(SIK221-521 / SIK221-522 / SIK221-523)



(SIK221-201 / SIK221-202)

Sika

Caulk

Adhesive / Sealant

Geobond 3500
GEO35101



Geocel

- Polyurethane Bonding Sealant
- Cures to a tough, flexible seal
- 10.1 oz / 24 per case; White
- Application: Concrete, brick, wood, tile, steel, asphalt shingles, and other common building substrates

Transport & Industrial Adhesive Sealer
MASVIT1987



Vanguard, Inc.

- Outstanding adhesion to most trailer manufacturing materials
- Provides exceptional weathering & waterproofing characteristics
- 11 oz / 24 per case; White
- Application: Adheres to fiberglass, metal, wood, most plastics & urethane foam

Manus-Bond 25AM

	Color
MAN25AM-WHITE	White
MAN25AM-GRAY	Gray

- Fast cure, high strength adhesive/sealant
- Highly weather resistant & can be painted with most paints
- 10.3 fl oz / 36 per case
- Application: Adheres to aluminum, brass, steel, glass, mortar, concrete, wood & many plastics



Manus

Manus-Prene 65-A

	Color
MAN65A-WHITE	White
MAN65A-ALUMINUM	Aluminum

- Adhesive/sealant with exceptional strength, durability, flexibility & adhesion characteristics
- 10.3 fl oz / 36 per case
- Application: For permanent weather-tight bonding & sealing of wood, metal, fiberglass & plastics



Manus

Geocel
Sealants & Adhesives

SHP

Caulk

Adhesive / Sealant

Manus-Bond 73-A

	Color
MAN73A-CLEAR	Clear
MAN73A-WHITE	White
MAN73A-ALUMINUM	Aluminum
MAN73A-BLACK	Black

- Silicone elastomeric adhesive/sealant; Fast cure
- Resistance to weathering & temperature extremes
- 10.3 fl oz / 36 per case
- Application: Designed for bonding & sealing with structural materials



Manus

Manus-Bond 75-AM

	Color / Container
MAN75AM-WHITE	White / 10.1 fl oz cartridge
MANS75AMW2	White / 20 oz Sausage
MAN75AM-GREY	Gray / 10.1 fl oz cartridge
MAN75AM-BLACK	Black / 10.1 fl oz cartridge

- High performance, one-part adhesive/sealant
- Paintable; Fast cure; Industrial grade
- 10.1 fl oz / 30 per case
- Application: Adheres to aluminum, brass, steel, glass & wood



Manus

Silaprene SolidSeal Adhesive

	Color
SIL12176WHITE	White
SIL12154GREY	Gray

- High solids-low voc adhesive/ sealant
- Paintable, sandable, non staining; Waterproof, remains flexible
- 10.3 oz / 12 per case
- Application: Adheres plywood to wood, steel & aluminum



Royal Adhesives

Estimator

Caulk

Joint Size Width x Depth (inches)	Linear Feet Sealed*		Joint Size Width x Depth (inches)	Linear Feet Sealed*		Joint Size Width x Depth (inches)	Linear Feet Sealed*	
	10.3 fl. oz. Cartridge	20 oz. Sausage		10.3 fl. oz. Cartridge	20 oz. Sausage		10.3 fl. oz. Cartridge	20 oz. Sausage
1/2 x 1/4	12	24	1/2 x 3/8	8.3	16	1/2 x 1/2	6.2	12
3/4 x 1/4	8.3	16	3/4 x 3/8	5.5	10.7	3/4 x 1/2	4.1	8.0

Caulk

Adhesive / Sealant

Transportation Adhesive


	Color
SIL12231	White
SIL12084	Gray

- High resistance to UV light, heat & moisture
- Fast drying, paintable; remains flexible
- 10.1 oz / 12 per case
- Application: Use in lap seams; Use for perimeter sealing of windows & doors; Bonds similar & dissimilar materials



Royal Adhesives

Silaprene Adhesive

	Color
SIL6328	White
SIL6325	Gray 

- Premier one-part product
- Versatile & durable; Withstands broad temp range
- Resistant to moisture, heat, chemicals & vibration
- 10.1 oz / 24 per case
- Application: Adheres to a variety of surfaces



Royal Adhesives

Sealant

Manus-Bond 30-A

	Color
MAN30A-WHITE	White
MAN30A-ALUMINUM	Aluminum

- Semi-self-leveling, one part, quick drying, synthetic rubber-based seam sealer
- excellent weather resistance & sealing capabilities
- 10.3 fl oz / 36 per case
- Application: Adheres to aluminum, steel, wood, & many plastics



Manus

Caulk

Sealant

Manus-Bond 501-A

	Color
MAN501-A-WHITE	White
MAN501-A-ALUMINUM	Aluminum

- General purpose butyl sealant
- Superior weather resistance & sealing properties
- 10.3 fl oz / 36 per case
- Application: Excellent adhesion to aluminum, steel, wood, glass, plastics and cement



Manus

TremoPro 635

	Color
MAM635W	White
MAM635G	Gray

- High-performance, low-to-medium modulus, one-component, gun-grade polyurethane sealant
- 10.1 fl oz / 30 per case
- Application: Adheres a wide variety of substrates, including ferrous & non-ferrous metals, composite materials & many plastic rubber substrates



Tremco

Sikaflex-227 SIK227-521



- Fast-curing, fast-skinning polyurethane based, elastomeric adhesive/sealant
- Moisture-cured, non-sag system
- 300 ml; White
- Application: Waterproofing exterior lap seams, exposed and concealed joints and expansion joints

Sika

Sealants & Adhesives

TREMCO

Sika

SHP

More Information

Material Safety Data Sheets

Information:

SDS (Safety Data Sheet) documents give detailed information about the nature of a chemical, such as physical and chemical properties, health, safety, fire, and environmental hazards of a chemical product.

Current:

Visit www.MyAuroraPlus.com to download up-to-date SDS documents. Found under the Inquiries tab.

Sealer

Adhesives

Super Weatherstrip & Gasket Adhesive
MMM08001



3M

- Strong, flexible, rubbery adhesive
- Exceptional bond strength; Fast drying
- 5 fl oz / 6 per case; yellow
- Application: Used to bond automotive weatherstripping and is a great adhesive for holding paper, cork, or rubber gaskets in place during installation.

Super Weatherstrip Adhesive
PTX81731



Permatex

- Superior adhesive; Waterproof
- Withstands extreme temperatures
- 5 fl oz / 12 per case
- Application: Use on rubber, metal, auto or van carpeting & fabric-backed vinyl upholstery

Steel Weld™
PTX84332



Permatex

- Sets in 5 minutes and cures in 1 hour
- NSF Certified safe
- 2 oz
- Application: Stripped threads, rust damage, steel components, anchors, and cracks or voids in metal

SikaFast® 3131S
SIK192439



Sika

- High Strength
- Fast Setting and Curing
- 490 ml dual cartridge
- Application: Suitable for bonding sidewall panels; roofs, floors and parts made of aluminum, stainless or galvanized steel and fiber reinforced polymers

SEA-LOK Corner Tab Adhesive
WHIML2001



Whiting

- 4 oz
- Application: Corner door tabs to mitered corners of SEA-LOK panel edge



SHP

Sealants & Adhesives

Sealer

Floor Sealant

Floor Restore - Clear

KEYEC1055ABSF

Size
Covers 48 ft trailer

KEYEC53AB

Covers 53 ft trailer



- Epoxy system that fills gouges, small cracks and delaminations & waterproofs
- Reinforces the wood and is tough enough to stand up to punishing cargos
- Application: Squeegee applied for deep wood penetration

Key Polymer

Sealants & Adhesives

KEY POLYMER

SHP

Preserve, Protect & Repair
Your Wood Trailer Floors



Refurbished Floors

- "It Saves the Floor and Seals the Floor!"
- Adds Years to Performance and Appearance of Used Trailer
- Trailer Ready for Road in 24 Hours

New Floors

- High Value Offering to New Trailer Buyers
- Profitable Upsell
- Customers Will Thank You for Offering
- Very Easy to Apply



- Durable Traction Additive
- Adds Minimal Material & Labor Cost to Floor Restore Installation
- Proven Effective by ANSI Test Methods (American National Standards Institute)



- Permanently Seals Through-holes and Daylight Gaps
- Indestructible Filler for Sealing Around Sectioning
- Eliminates Trip Hazards and Pooling of Wash Out Water
- Easy to Mix and Apply

Add Years to
the Life of Your
Trailer for 1/10
the Cost of a
New Floor!



- "High Gloss Finish" That Customers Love
- Highly Durable — Stands Up to Years of Service
- Makes It Easy to Load & Unload

See Quick Videos: www.keytransportationproducts.com



Shop Supplies

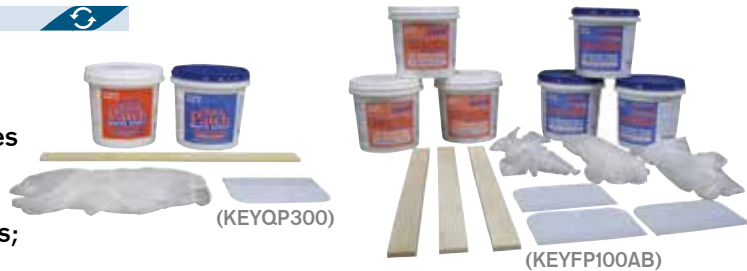
Sealer

Floor Sealant

Key Crack Filler

	Kits
KEYFP100AB	3 - 1 qt.
KEYQP300	1 qt.

Restoration of some damaged wooden trailer floors requires filling of deep gouges & cracks; formulated to handle those tough filling applications while remaining fully compatible with floor restore coatings; applied with a putty knife



Key Polymer

Gasket Maker

Sensor-Safe Blue RTV Gasket Maker

	Size
PTX80022	3 oz.
PTX81860	7.25 oz. PowerBead Can

- Silicone gasket maker; Easy trigger dispensing
- Safe for oxygen sensors
- Reliable "formed-in-place" gaskets that resist cracking, shrinking & migrating
- Application: Replaces almost any cut gasket; Coats pre-cut gaskets to increase reliability



Permatex

High-Temp Red RTV

	Size
PTX81160	3 oz.
PTX85915	7.25 oz. PowerBead Can

- Silicone gasket maker
- Formulated for high temp applications
- 650°F intermittent; remains flexible
- Application: Replaces almost any cut gasket; Coats pre-cut gaskets to increase reliability



Permatex

Storage for Unused Product

RTV Gasket Maker

Silicone Plug

Create by allowing excess material to extend beyond the nozzle to cure, sealing & protecting. For reuse, simply remove the cured product from the tip.

PowerBead™

Store using the silicone plug or using the included plastic cap.

KEY POLYMER

Permatex

SHP

Sealants & Adhesives

Sealer

Gasket Maker

RTV Silicone Adhesive Sealant

	Color
PTX80050	3 oz
PTX85913	7.25 oz. PowerBead Can

- General purpose RTV indoor/outdoor sealant
- Seals, bonds, repairs, mends & secures
- Clear
- Application: Adheres to glass, metal, plastics, fabric, vinyl, weather stripping & vinyl tops



(PTX80050)



(PTX85913)

Permatex

High-Temp Ultra Black RTV

	Size
PTX82180	3.35 oz.
PTX85080	9.5 oz. PowerBead Can

- Silicone gasket maker; Maximum oil resistance
- Sensor safe; Fast curing formula
- Resists temps up to 500°F intermittent
- Application: Replaces almost any cut gasket; Ensures extended drivetrain warranty compliance



(PTX82180)



(PTX85080)

Permatex

Form-A-Gasket No. 2 Sealant

PTX80016



Permatex

- Slow-drying, non-hardening sealant
- Resists common shop fluids & fuels
- 3 oz / 12 per case
- Application: Use for sealing cut gaskets & stamped parts

Anaerobic Gasket Maker

PTX51813



Permatex

- Noncorrosive gasketing material
- Ideal for on-the-spot & emergency repairs
- 1.69 fl oz / 24 per case
- Application: Designed for use on aluminum, iron, & steel flanged mating surfaces

Sealants & Adhesives



SHP

Shop Supplies

Sealer

Gasket Maker

Ultra Grey Rigid High-Torque RTV

PTX82194



Permatex

- Sensor-safe, low odor, noncorrosive
- Outstanding oil resistance and joint movement tolerance
- 3.5 oz
- Application: Valve covers, oil pans, automatic transmission pans, intake manifold end seals, timing covers, water pumps, thermostat housings

Roof

Manus-Prene 65-B Roof Repair

MAN65B-GALLON



Manus

- Air-dry, brush grade neoprene based sealant
- Excellent adhesion; Weather resistant
- 1 gal / 4 per case; Gray
- Application: Use on aluminum, wood, fiberglass & plastics

Manus-Prene 65-H

MAN65-H



Manus

- Neoprene sealer; Trowel grade
- Excellent adhesion; Weather resistant
- 1 gal / 8 per case; Gray
- Application: Sealing properties to concrete, mortar, aluminum, wood & many plastics

Roof Seal 76-AM

MAN76AMTG



Manus

- Dries quickly to form a tough durable seal
- Excellent weather resistance & retains its flexibility for years; Self-leveling
- 1 gal / 4 per case; Gray
- Application: Use on trailer roofs

2010 Brushable Repair Coating

GEO60700



Geocel

- Brushable repair coating; Stops leaks
- Coats & rustproofs metal surfaces
- 1 gal / 4 per case; Clear
- Application: Excellent adhesion to metal, concrete, & wood

Sealer

Roof

Geobond Roof Repair

Part Number	Size	Color	Additional
GEO70100	1 qt.		
GEO70200	1 gal.	Clear	
GEO70202	1 gal.	Aluminum	
GEO70800	1 qt.	Clear	Kit Includes: 1 qt. roof repair, 2 in. brush, 50 ft. x 4 in. roll of polymesh

- Fibered brushable coating
- Stops leaks immediately
- Prevents rust
- UV light & acid rain resistant
- Application: Specially formulated for heavy duty truck trailer & truck body roof applications



(GEO70800)



(GEO70100)



(GEO70200 / GEO70202)

Geocel

Seal-Gap Roof Sealer
MASAH-55



Seal Gap

- Especially developed to prevent claims from leaky roof seams in highway trailers
- 1 gal / 4 per case
- Application: Use on trailer roofs

Tremgard 640
MAM640



Tremco

- Brush on, one-part liquid polyurethane coating
- Tough, adherent waterproof coating on the inside or outside of containers preventing water penetration
- 1 gal / 24 per case; Aluminum
- Application: Use on wood, masonry, & metal as well as to seal rivets & bolts

Luma-Shield HD
Aluminum Roof Coating
MAS5180-1GAL



Truco

- Energy saver; Fibered
- Easy to apply; Guards against rust;
- Reduces interior temperature in the summer
- 1 gal / 8 per case
- Application: Use on trailer roofs

Geocel

SEAL-GAP

TREMCO

SHP

Sealants & Adhesives

Sealer

Thread Sealant

Medium Strength Threadlocker Blue

	Size
PTX09978	1 g pouch
PTX24240	1.22 oz
PTX24010	10 g / Gel

- Locks & seals while preventing loosening due to vibration
- Protects treads from corrosion
- Application: Use on valve covers, water pump, & oil pan bolts



(PTX24240)



(PTX24010)



(PTX09978)

Permatex

High Strength Threadlocker Red

	Size
PTX27100	0.20 oz
PTX27140	1.22 oz
PTX27010	10 g / Gel

- High strength threadlocker for heavy-duty applications 3/8 inch to 1 inch
- Application: Locks studs, bushings, & large fasteners against vibration loosening; Replaces set screws & snap rings



(PTX27140)



(PTX27100)



(PTX27010)

Permatex

High Temperature Thread Sealant

PTX59235



- Resists leakage, vibration loosening, moisture, hydraulic fluids and diesel fuels
- Protects against shred or wear like thread seal tape
- 1.69 fl oz
- Application: Use on threaded fittings

Permatex

High Performance Thread Sealant

PTX56521



- Replaces thread seal tap & pipe dopes
- Cures rapidly to withstand 10,000 PSI
- Designed for low & high pressure applications
- 1.69 fl oz
- Application: Use on metal, tapered pipe thread fittings

Permatex



Permatex®

MADE FOR THE PROFESSIONAL



GASKET MAKERS • THREADLOCKERS
FAST ORANGE HAND CLEANERS
SPRAY NINE CLEANER/DEGREASER
LUBRICANTS • ADHESIVES • SEALANTS
SPECIALTY REPAIR PRODUCTS



permatex.com

Sealer

Thread Sealant

Thread Sealant with PTFE
PTX80632



Permatex

- Seals and resists pressure in air, oil, diesel fuel and hydraulic systems
- Remains pliable at higher and lower temperatures
- 4 oz
- Application: Air conditioning fittings, temperature sending fittings, hydraulic fittings

PTFE Teflon Thread Seal Tape
TAP3-1



- 0.004 in. x 1/2 in. x 260 in.
- Application: Use to seal pipe threads

Tape

Butyl

Premium Butyl Tape

	Size	Usage Area
MAN64-2A	1/16 in. x 1 in. x 100 ft.	Side Wall
MAN64-2-2A	1/16 in. x 5/8 in. x 100 ft.	Side Wall
MAN64A	1/8 in. x 5/8 in. x 60 ft.	Roof Bow

- Synthetic polymer based adhesive/sealant tape; polysul grip
- Application: Adheres to aluminum, glass, galvanized steel and many other porous & non-porous surfaces



Manus

Butyl Rubber Tape
TAPSTK070067065



Manus

- 1/8 in. x 3/4 in. x 50 ft.
- Application: Adheres to aluminum, glass, galvanized steel and many other porous & non-porous surfaces

Tape

Foam

Single-Coated PVC Foam Tape

	Size
TAP62751004	1/16 in. x 1/4 in. x 200 ft.
TAP62751003*	1/16 in. x 5/8 in. x 200 ft.
TAP1-4*	1/16 in. x 3/4 in. x 200 ft.
TAP62751006*	1/16 in. x 1 in. x 200 ft. (single stick)
TAP62751005*	1/16 in. x 1-1/4 in. x 200 ft.



- Medium density, closed cell, PVC foam
- Best general-purpose waterseal foam
- Pressure-sensitive acrylic, on one side
- Application: Adheres to lap seams between side panels; *Roof to top rail

Double Sided Foam Tape TAPTS-217-B



- 1/16 in. x 3/4 in. x 150 ft.
- Application: Adheres panel to panel or roof to top rail

PVC Foam Tape / Roof Tape TAP42300507



- 3/32 in. x 1 in. x 100 ft.
- Application: Adheres roof to top rail

Foil

Aluminum Foil Tape

	Size
TAP2-1	4 in. x 33 ft. 6 in.
TAP2-2	4 in. x 50 ft.
TAP2-3	6 in. x 33 ft. 6 in.
TAP2-4	6 in. x 50 ft.



- Application: Use anytime you need to join two dissimilar metals (ex. aluminum & steel)

Sealants & Adhesives

SHP

Tape

Foil

Patch Tape

	Size
MAN4WTT	0.06 in. x 4 in. x 50 ft
MAN4X50ALUMA	0.06 in. x 4 in. x 50 ft

- One-sided aluma-foil patch tape for that quick easy patch repair
- Foil with a butyl adhesive backing
- Application: Use anytime you need to join two dissimilar metals (ex. aluminum & steel); body & roof repair



Manus

Foil

Polyken Tape TAP360-45



- 4 in. x 30 ft. roll - 45ML
- Application: Use anytime you need to join two dissimilar metals (ex. aluminum & steel)

Plastic

Mylar Tape TAP1-7



- 4 in. x 216 ft.
- Application: Use anytime you need to join two dissimilar metals (ex. aluminum & steel)

Plastic

PVC Tape

	Size
TAP1-1	3 mm x 3 in. x 216 ft.
TAP1-2	3 mm x 3-1/2 in. x 216 ft.



(TAP1-1)



(TAP1-2)

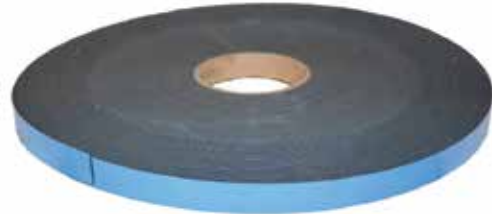
- Application: Use anytime you need to join two dissimilar metals (ex. aluminum & steel)

Sealants & Adhesives

SHP

Tape

Roof Bow
Roof Bow Tape
TAP569-103796



- .045 in. x 3/4 in. x 200 ft.
- Application: Roof to top rail

Electroflex PVC Electrical Tape
TAPAAS000172



- PVC electrical tape; Industrial grade
- Suitable for use at not more than 600 V and not more than 80°C (176°F)
- 3/4 in. x 60 ft.
- Application: Use to insulate for splices up to 600V; Also good moisture protection for irregular surfaces

Utility
Duct Tape
TAPAAA000477



- 2 in. x 180 ft.
- Application: Use for all-around holding, splicing, masking, patching, sealing & seaming

Scotch® Performance Green Masking
MMM26340



- Flexible, conformable backing resists breaking for ease of use,
- Special adhesive resists lifting and edge curl
- 48mm. x 55 m.
- Application: Booth masking, fine lines, general masking, jamb masking, paint preparation

3M™ Automotive Masking Tape
MMM06548



- Sticks to a variety of surfaces including paper, fiberboard, glass, rubber, plastic and metal
- Crepe paper backing is hand tearable
- 48mm. x 55 m.
- Application: Booth masking, general masking, jamb masking, paint preparation

Sealants & Adhesives



SHP

Shop Supplies

Bags

Pro-Par

Part Number	Type	Size
PRO4X6BAG	Reseal, 2 mil	4 in. x 6 in.
PRO6X8BAG	Reseal, 2 mil	6 in. x 8 in.
PRO16X20BAG	Shopping w/ Handles	16 in. x 20 in.

(PRO4X6BAG)



Pro-Par

Part Number	Type	Size
BAG6X8	Plastic	6 in. x 8 in.
BAG6X10	Plastic	6 in. x 10 in.
BAG6X12	Plastic	6 in. x 12 in.
BAG9X18	Plastic	9 in. x 18 in.
BAG16X26	Plastic, 2 Holes at Top	16 in. x 26 in.

(BAG9X18)



Banners

Part Number	Type	Size
PROBANNER	Pro-Par	6 ft. x 2 ft.
PRMAURAUTHBANNER	Aurora Authorized Distributor	6 ft. x 2 ft.
PRMFPBANNER	FleetPreform	6 ft. x 2 ft.



(PROBANNER)

Bins

Plastic Shelf Bin

Part Number	Width	Deep
PROBIN12X4	4 in.	12 in.
PROBIN12X6	6 in.	
PROBIN12X8	8 in.	
PROBIN12X12	12 in.	18 in.
PROBIN18X4	4 in.	
PROBIN18X6	6 in.	
PROBIN18X8	8 in.	
PROBIN18X12	12 in.	



(PROBIN12X12)

Pro-Par

pro-par
OEM Heavy Duty Parts

Marketing

SHP

Bins

Corrugated Shelf Bin

Part Number	Width	Deep
PROBIN12X4X4-CORR	4 in.	
PROBIN12X6X4-CORR	6 in.	12 in.
PROBIN12X8X4-CORR	8 in.	
PROBIN18X4X4-CORR	4 in.	
PROBIN18X6X4-CORR	6 in.	18 in.
PROBIN18X8X4-CORR	8 in.	



(PROBIN18X8X4-CORR)

Pro-Par

Air Fittings

Part Number	Description
PROFBIN-ONLY	Bin with Decal
PROFBIN-STAND	Bin with Stand



Pro-Par

Fasteners

Part Number	Description
BIN-BIN72H	72 Hole, Labels not included



Pro-Par

Quick Reference

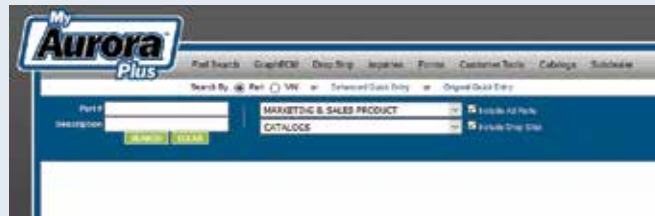
Supplier Catalogs

Looking for a Supplier Catalog?

Find out what's available through MA+ or contact your Customer Service Representative.

Search by:

1. Select Part Search
2. Change Category to Marketing & Sales Product
3. Change Sub Category to Catalogs
4. Type in supplier desired in Description box.



Shop Supplies

Catalogs

Pro-Par

Part Number	Description
PROBFCATALOG	Air Fittings
PROCATALOG	Brake Parts
PROFACATALOG	Fasteners
PROFITCAT2016	Pro-FIT Parts



(PROFACATALOG)

Note: Part numbers subject to change with new editions.

Charts

Pro-Par

Part Number	Description
PROBFWCHART	Air Fittings Wall Chart
PROBSWCHART	Brake Shoe Wall Chart



(PROBFWCHART)



(PROBSWCHART)

Part Number	Description
CRS457627	Scott Seal Interchange Chart
HDXL60063	Haldex Valve Wall Chart, 2 ft. x 3 ft.
MINWALLCHART	Powerbrace Cam and Keepers



(HDXL60063)

Clocks

Pro-Par

Part Number	Description
PROPARCLOCK	Brushed Metal, 14 in.



Decals

Pro-Par

Part Number	Description	Size
DEC1-13	Pro-Par	15 in. x 6 in.
DEC1-14	Fleet Perform	18 in. x 6 in.
DEC1-15	Aurora Authorized Distributor	20 in. x 12 in.
DEC1-16	Aurora Authorized Distributor	39-1/2 in. x 18 in.
DEC1-17	Pro-FIT	12-9/16 in. x 5-1/4 in.



(DEC1-16)



(DEC1-17)



(DEC1-14)



(DEC1-15)



(DEC1-13)

Displays

Pro-Par

Part Number	Description
PROHOSERACK	Hose Rack
PROBUCKETDSPKIT	Bucket Display Kit
PROBARREL1	Barrel, 34 gallon fibre drum
PNTZ-64KIT	Paint Display
PROCHM-64KIT	Chemical Display



(PROHOSERACK)



(PROBARREL1)



(PNTZ-64KIT)

Signs

Part Number	Description	Size
PROEMBSIGNALU	Pro-Par Aluminum Sign	14 in. x 36 in.



More Information

Aurora Authorized Distributor Signs

Looking for an Aurora Authorized Distributor Sign? Contact your Aurora Regional Sales Manager for Details.

Marketing



SHP

Shop Supplies

Samples

Pro-Par

Part Number	Description
PNTSAMPLES	Pro-Par Paint Chip Set



Stools

Pro-Par

Part Number	Description
PRM401-PP	Stool
PRM401-PP-TOP	Stool Top Only



More Information

Pro-Par Website

Need additional information on Pro-Par products?
Visit the Pro-Par website at www.Pro-Par.com.



Abrasives

Green Corps Roloc Disc

Grade	Size	Part Number
36	2 in.	MMM01397
36	3 in.	MMM01407
24	3 in.	MMM01408



- Removes paint, rust & weld
- 25 per box
- Application: Fits any standard 0.25 in. drill or air tool

3M

General Purpose Cut-Off Wheel MMM01987



- Aluminum Oxide
- 3 in. x 1/16 in x 3/8 in. / 50 per case
- Application: For use on utility type cut-off tools for cutting sheet metal, frame rails, exhaust pipes, clamps & rusted bolts

3M

Scotch-Brite Roloc Surface Conditioning Disc

Part Number	Diameter	Grade	Color
MMM07480	2.00 in.	Coarse	Brown
MMM07481	2.00 in.	Medium	Maroon
MMM07485	3.00 in.	Coarse	Brown
MMM07486	3.00 in.	Medium	Maroon



- 25 per box
- Removes light rust, oxides and coatings
- Aluminum Oxide

3M

Application Chart Abrasive Materials

	Aluminum Oxide		Silicon Carbide		Zirconia-Alumina	Ceramic	
	Coated	Non-Woven	Coated	Non-Woven	Coated	Coated	Non-Woven
Ferrous							
Carbon Steel	Better	Better		Good	Better	Best	Best
Alloy Steel	Good	Better		Good	Better	Best	Best
Stainless Steel	Good	Better		Good	Better	Best	Best
Cast Iron	Better	Better		Good	Better	Best	Best
Non Ferrous							
Aluminum Alloys	Best	Best	Better		Good	Better	Best
Brass, Bronze, Copper, Zinc	Best	Best	Best		Good	Better	Best
Titanium	Better	Best			Better	Best	Best
Plastic	Best	Best	Best	Better	Better	Good	
Wood	Best		Better			Good	

Shop Supplies

Abrasives

Cut Off Wheel

	Size
TOLMBO55317	3.00 in. x 0.04 in. x 3/8 in.
TOLMBO55327	4.00 in. x 1/16 in. x 3/8 in.
TOLMBO55331	4-1/2 in. x 0.04 in. x 7/8 in.



Flap Disc TOLMBO24241



- Zirconia, 40 grit
- 4-1/2 in. x 7/8 in.
- Application: Processing fillet welds and surface grinding

Cleaners

Hand Cleaner

Fast Orange Hand Cleaner Wipes PTX25051



Permatex

- Removes the toughest grease, tar, grime, ink, paints, sealants, adhesives & other difficult soils
- Textured one side for heavy duty cleaning & smooth side for general purpose cleaning
- 10-1/2 in. x 12-1/4 in. / 72 count bucket

Fast Orange Pumice Lotion Hand Cleaner PTX25219



Permatex

- #1 selling, biodegradable, waterless, petroleum solvent-free hand cleaner that contains no harsh chemicals, mineral oils or ammonia that can sting cuts and abrasions
- Pure, fresh-smelling natural citrus power does the cleaning; gently deep cleans the toughest dirt
- 1 gallon with pump

Cleaners

Scott Shop Towels

Size	
Box of 12 Rolls	SHPS-14769
Box of 200	SHPS-12809



- Around the shop handy towels that absorb liquids, oil & grease

Towels

Shop Rags
SHP-RAG



- Soft colored knits
- 50 lb box

Oil Dri Premium Absorbent
OILI06032



- Clay absorbents
- Absorbs oil, grease, hydraulic fluid, water & other liquid spills
- Minimal dust & rapid absorption power
- Can reduce slipping accidents & hazards
- 40 lb bag / Qty: 50

Oil Dri

Heavy Weight Absorbent Pad
OILL90902-BOX



- Safely absorbs all fluids
- Pads are made of treated chemically inert meltblown polypropylene
- Bonded layers allow flow to spread through the material for a quicker absorption rate
- 15 in. x 19 in. / 100 pads per box

Oil Dri

Universal Absorbent Bucket Kit

	Size
OILL90435	5 gal



- Includes: (2) 48 in. socks, (10) perforated pads, (1) disposal bag, (1) tie, (1) 5 gal. bucket with kit

Oil Dri

Oil-DRI
 CORPORATION OF AMERICA
 Supplies
SHP

Personal Safety

Ear Plugs

Classic E-A-R Earplug
MMM310-1001

3M

- Uncorded; 29 decibel noise reduction rate
- Moisture resistant; Flame retardant;
- Reduced pressure, lower equilibrium pressure
- 200 per case

Glasses

Virtua Clear Hardcoat Lens
MMM11326

3M

- Polycarbonate construction with a hard coat, scratch resistant; Designed for indoor use
- Lightweight lens with a sleek, contoured fit
- Cost effective; high wrap around coverage
- 20 per case

Gloves

Knit Gloves

Size	
Small	GLV1775-S
Medium	GLV1775-M
Large	GLV1775-L
XL	GLV1775-XL

Kinco

- HD poly cotton string knit; Reversible thumb

9 oz Brown Jersey Gloves

Size	
Small	GLV820-S
Large	GLV820-L
XL	GLV820-XL

Kinco

- Knit wrist; Clute cut

Gray Suede Cowhide Leather Work Gloves

Size	
Medium	GLV1500-M
Large	GLV1500-L
XL	GLV1500-XL

Kinco

- Cowhide leather palm; Rubberized safety cuff

Nylon Black Deer Palm Lined Grain Leather Work Gloves

Size	
Medium	GLV101HK-M
Large	GLV101HK-L
XL	GLV101HK-XL

Kinco

- Grained deerskin with Heatkeep lining
- Easy-on open cuff with shirred elastic on wrist

3M

Kinco

Supplies

SHP

Personal Safety

Unlined Grain Deerskin Leather Work Gloves

Size	
Small	GLV90-S
Medium	GLV90-M
Large	GLV90-L
XL	GLV90-XL



Kinco

- Premium grade leather
- Shirred elastic back; Keystone thumb

Gloves Cowhide Grain Drivers Leather Work Gloves

Size	
Medium	GLV98-M
Large	GLV98-L
XL	GLV98-XL
2XL	GLV98-XXL



Kinco

- Unlined grain cowhide
- Keystone thumb; Shirred elastic back

KincoPro™ Unlined Grain Goatskin Leather Driver

Size	
Medium	GLV103-M
Large	GLV103-L
XL	GLV103-XL



Kinco

- Form fitting stretchable synthetic back
- Pearl goatskin leather
- Easy-On™ open cuff with elastic wrist
- Neoprene knuckle strap for added protection

Application Chart

Protective Gloves

Chemical	Neoprene	Latex/Rubber	Butyl	Nitrile
Acetone*	Good	Very Good	Very Good	Poor
Diesel Fuel	Good	Poor	Poor	Very Good
Gasoline, Leaded & Unleaded	Good	Poor	Fair	Very Good
Hydrofluoric Acid (48%)	Very Good	Good	Good	Good
Phosphoric Acid	Very Good	Good	Very Good	Very Good
Sodium Hydroxide	Very Good	Very Good	Very Good	Very Good
Sulfuric Acid	Good	Good	Good	Good
Toluene*	Fair	Poor	Poor	Fair
Trichloroethylene*	Fair	Fair	Poor	Good

Generally, the thicker the glove material, the greater the chemical resistance

Chemicals marked with an asterisk (*) are for limited service.

Supplies



SHP

Shop Supplies

Personal Safety

Gloves

Disposable Latex Gloves

	Size
PTX09182	Large
PTX09183	XL



- Natural Latex; Textured fingers
- Fit either hand
- Lightly Powdered
- 100 count box

Permatex

Disposable Blue 4 mil Nitrile Gloves

	Size
PTX09185	Large
PTX09186	XL



- 100% Synthetic Rubber; Textured fingers
- Lightly Powdered
- Suitable for users with sensitivity to natural rubber latex
- Superior Chemical Resistance
- 100 count box

Permatex

Masks

**8511 N95 Particulate
Welding Respirator
MMM07185**



- Lightweight, two-strap filtering facepiece respirator
- Designed for use in grinding, sanding & buffing applications
- Features 3M™ Cool Flow™ Valve & adjustable M-noseclip for added comfort

3M

**8515 N95 Particulate
Welding Respirator
MMM07189**



- Economical N95 disposable particulate welding respirator
- Helps provide respiratory protection for applications where metal fumes may be present
- Features 3M™ Cool Flow™ Valve, braided headband and adjustable M-noseclip for added comfort

3M

Permatex

3M

Supplies

SHP

Personal Safety

Masks

N95 Particulate Respirator
MMM07048



- Designed for use in grinding, sanding & buffing application
- Lightweight, two-strap filtering facepiece respirators with adjustable noseclip & new braided headstraps
- Box of 20

3M

Replacement Particulate Filter, P100
MMM07184



- Nuisance level organic vapor relief
- Exceptional 99.97% filter efficiency meets NIOSH P100 series test criteria
- Versatile protection against many oil and non-oil based particulate contaminants
- Box of 100

3M

NOTE: N Series = used in environments free of oil aerosols

Application Chart
Particulate Respirator

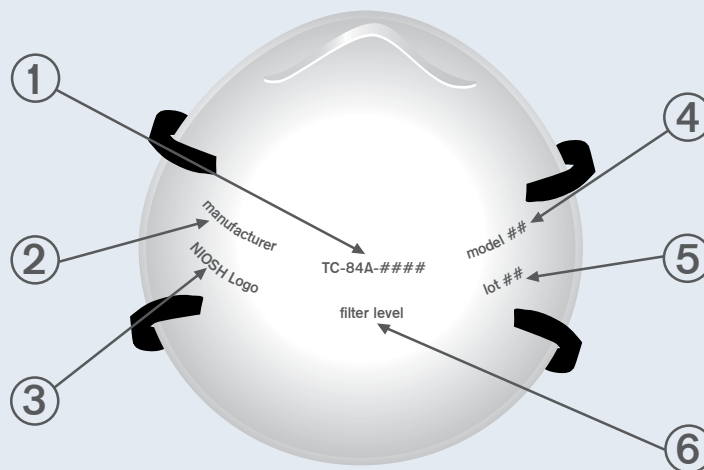
National Institute for Occupational Safety & Health (NIOSH)

Particulate filtering facepiece respirators protect by filtering particles out of the air the user is breathing. NIOSH tests and certifies respiratory protective devices, and purchases certified products on the open market to verify continued compliance.

NIOSH Respirator Labeling

1. NIOSH testing and certification approval number, e.g. TC-84A-XXXX
2. Name of approved manufacturer
3. NIOSH in block letters or the NIOSH logo
4. Model Number
5. Lot Number
6. NIOSH filter series and filter efficiency level, e.g. N95, N99, N100, R95, P95, P99, P100

NIOSH Designations	Filtered Airborne Particles	Resistant To Oil
N95	95%	Not
N99	99%	Not
N100	99.97%	Not
R95	95%	Somewhat
P95	95%	Strongly
P99	99%	Strongly
P100	99.97%	Strongly



Supplies
3M
SHP

Bits

Drill

Brute XL28 Mechanics

	Diameter	Flute Length	Overall Length	Champion Number
DRLBR-188	3/16 in.	1-7/8 in.	3.00 in.	XL28-3/16
DRLBR-203	13/64 in.	1-15/16 in.	3-1/8 in.	XL28-13/64
DRLBR-219	7/32 in.	2.00 in.	3-1/4 in.	XL28-7/32
DRLBR-250	1/4 in.	2.00 in.	3-1/2 in.	XL28-1/4
DRLBR-266	17/64 in.	2-1/8 in.	3-5/8 in.	XL28-17/64
DRLBR-281	9/32 in.	2-1/4 in.	3-3/4 in.	XL28-9/32
DRLBR-312	5/16 in.	2-1/2 in.	4 in.	XL28-5/16
DRLBR-375	3/8 in.	2-11/16 in.	4-1/4 in.	XL28-3/8

- Mechanics length drills
- Three-flat shank design ensures a positive grip in both keyless & conventional power tools
- Overall length provides added strength and rigidity



Champion

BlackGold XGO Jobber

	Diameter	Flute Length	Overall Length	Champion Number
DRLBG-062	1/16 in.	7/8 in.	1-7/8 in.	XGO-1/16
DRLBG-078	5/64 in.	1 in.	2 in.	XGO-5/64
DRLBG-094	3/32 in.	1-1/4 in.	2-1/4 in.	XGO-3/32
DRLBG-109	7/64 in.	1-1/2 in.	2-5/8 in.	XGO-7/64
DRLBG-125	1/8 in.	1-5/8 in.	2-3/4 in.	XGO-1/8
DRLBG-141	9/64 in.	1-3/4 in.	2-7/8 in.	XGO-9/64
DRLBG-156	5/32 in.	2 in.	3-1/8 in.	XGO-5/32
DRLBG-172	11/64 in.	2-1/8 in.	3-1/4 in.	XGO-11/64
DRLBG-188	3/16 in.	2-5/16 in.	3-1/2 in.	XGO-3/16
DRLBG-194	0.1935 in.	2-7/16 in.	3-5/8 in.	XGO-10
DRLBG-196	0.1960 in.	2-7/16 in.	3-5/8 in.	XGO-9
DRLBG-203	13/64 in.	2-7/16 in.	3-5/8 in.	XGO-13/64
DRLBG-219	7/32 in.	2-1/2 in.	3-3/4 in.	XGO-7/32
DRLBG-234	15/64 in.	2-5/8 in.	3-7/8 in.	XGO-15/64
DRLBG-250	1/4 in.	2-3/4 in.	4 in.	XGO-1/4
DRLBG-257	0.2570 in.	2-7/8 in.	4-1/8 in.	XGO-F

	Diameter	Flute Length	Overall Length	Champion Number
DRLBG-261	0.2610 in.	2-7/8 in.	4-1/8 in.	XGO-G
DRLBG-266	17/64 in.	2-7/8 in.	4-1/8 in.	XGO-17/64
DRLBG-281	9/32 in.	2-15/16 in.	4-1/4 in.	XGO-9/32
DRLBG-297	19/64 in.	3-1/16 in.	4-3/8 in.	XGO-19/64
DRLBG-312	5/16 in.	3-3/16 in.	4-1/2 in.	XGO-5/16
DRLBG-328	21/64 in.	3-5/16 in.	4-5/8 in.	XGO-21/64
DRLBG-344	11/32 in.	3-7/16 in.	4-3/4 in.	XGO-11/32
DRLBG-359	23/64 in.	3-1/2 in.	4-7/8 in.	XGO-23/64
DRLBG-375	3/8 in.	3-5/8 in.	5 in.	XGO-3/8
DRLBG-391	25/64 in.	3-3/4 in.	5-1/8 in.	XGO-25/64
DRLBG-406	13/32 in.	3-7/8 in.	5-1/4 in.	XGO-13/32
DRLBG-422	27/64 in.	3-15/16 in.	5-3/8 in.	XGO-27/64
DRLBG-438	7/16 in.	4-1/16 in.	5-1/2 in.	XGO-7/16
DRLBG-453	29/64 in.	4-3/16 in.	5-5/8 in.	XGO-29/64
DRLBG-469	15/32 in.	4-5/16 in.	5-3/4 in.	XGO-15/32
DRLBG-500	1/2 in.	4-1/2 in.	6 in.	XGO-1/2

- Heavy duty XGO BlackGold drills out perform ordinary jobber drills by penetrating faster & lasting longer
- Black & gold surface treatment holds lubricant for smoother drilling



Champion

Screw Machine Drill Bit

	Diameter	Flute Length	Overall Length	Champion Number
DRLSM-194	0.1935 in.	1-3/16 in.	2-1/4 in.	1705-10

- Heavy duty, split point bit
- Better hole accuracy and longer tool life, even on difficult materials such as stainless steel or heavy duty applications



Champion

Bits

Holders

Part Number	Bit Size	Drive	Overall Length
TOL858	1/4 in.	1/2 in.	1-3/4 in.
TOL838	1/4 in.	3/8 in.	1-1/2 in.
TOL855	5/16 in.	1/2 in.	1-3/4 in.



Phillips

Part Number	Diameter
TOL440-P2	1/4 in.
TOL440-P3	1/4 in.
TOL480-P3	5/16 in.
TOL480-P3	5/16 in.



Torx

Part Number	Size	Diameter
TOL440-TX-20	20	1/4 in.
TOL440-TX-25	25	
TOL440-TX-27	27	
TOL440-TX-30	30	
TOL440-TX-40	40	
TOL440-TX-45	45	5/16 in.
TOL480-TX-30	30	
TOL480-TX-40	40	
TOL480-TX-45	45	
TOL480-TX-55	55	



Application Chart

Rivet Drill Hole Size

Rivet Diameter	Hole Size	Drill Bit
1/8 in.	0.125 - 0.135	DRLBG-125
5/32 in.	0.156 - 0.171	DRLBG-156
3/16 in.	0.187 - 0.202	DRLBG-194
7/32 in.	0.218 - 0.233	DRLBG-219
1/4 in.	0.250 - 0.265	DRLBG-257

Rivet Diameter	Hole Size	Drill Bit
9/32 in.	0.281 - 0.296	DRLBG-281
5/16 in.	0.312 - 0.327	DRLBG-312
11/32 in.	0.343 - 0.358	DRLBG-344
3/8 in.	0.375 - 0.390	DRLBG-375
13/32 in.	0.406 - 0.421	DRLBG-406

Gauges

Dual Foot Truck Service Gauge

Bar	Chuck	Finish	
Nylon	Angled Chuck	Chrome	HALGA-135
Metal	Straight-On 30° Reverse	Chrome	HALGA-155S



Haltec

- Variety of service gauges to accommodate numerous tire and wheel configurations

Cable & Circuit Tester TRU97101



Truck-Lite

- Compliment to the lamp and circuit tester
- Uses high quality brass pins for reliable contact
- LEDs quickly identify faulty circuits in either of the connector cord assembly or the tractor

Kingpin Gauge HOLTF-0110



SAF Holland

- Indicates an undersized condition and need of replacement
- Can also be used to check kingpin length

Wear Gauge Set PRE14000



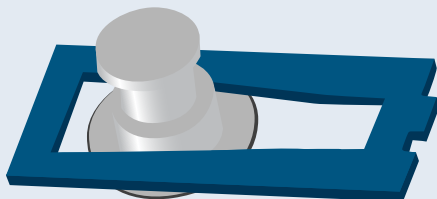
Premier

- Pintle hook & drawbar eye
- Measures the gap between the top of the coupling hook & the closed latch

How To Use Kingpin Gauge

Inspecting Diameters

1. Slip gauge over kingpin.
2. Position the gauge onto portion of kingpin to be measured.
3. Be sure to rotate the gauge 360 degrees around the kingpin to measure diameter in all direction.
4. Gauge indicates 1/8 in. of wear.



Inspecting Height & Squareness

1. Place the notched end of the gauge onto the kingpin.
2. If kingpin does not fit into gauge, height of kingpin is incorrect or bent.
3. Rotate gauge 360 degrees to check all sides of kingpin.



Trailer Tools

Axle

Socket Wrench
FRUACC5963-900



- For Pro-Par Hub Cap & axle nut

Brake Chamber Caging Tool
MID10043



- Caging tool for brake chamber springs

Oil Seal Installation Tool

Handle (A)	Seal Plate (B)	Bearing Pilot (C)	Seal / Pro-Par	Seal / Red	Seal / Gold
PROWSRD296	PROWSRD307	PROWSRD406	PROWS0001A	370001A	380001A
PROWSRD296	PROWSRD305	PROWSRD416	PROWS0003A	370003A	380003A
PROWSRD296	PROWSRD306	PROWSRD413	PROWS0025A	370025A	380025A
PROWSRD296	PROWSRD310	PROWSRD412	PROWS0065A	370065A	380065A
PROWSRD296	PROWSRD313	RD410	-	370031A	380031A



- All installation tools require the handle, the seal plate, and the bearing pilot for proper seal installation.
- Lube the inside diameter of the seal to install seal on the seal plate.
- Use only the seal manufacturer's installation tool with the seal being used.

Pro-Par

Multi-Purpose

7-Way Cleaning Kit
IMXGT-3201



- For 7-Way sockets and plugs, male and female

Haldex

pro-par
OEM Heavy Duty Parts

Tools

SHP

Trailer Tools

Multi-Purpose

Carrand Cleaning Tools

Part Number	Description
BSH9057	Squeegee, 8 in. Head & 20 in. Handle
BSH92012	Heavy Duty Wheel Brush
BSH92036	Heavy Duty Wheel and Bumper Brush
BSH92508	Fiberglass Pole, 4 ft. to 8 ft. Adjustable
BSH92509	Fiberglass Pole, 6 ft. to 12 ft. Adjustable
BSH92510	Fiberglass Pole, 6 ft.
BSH93039	Long Handle Dip Brush, 20 in. Long

Part Number	Description
BSH93078	Brush Head, 10 in.
BSH93079	Bi-Level Brush Head, 10 in
BSH93502	Wooden Pole, 6 ft.
BSH93505	Stack Brush Head, 4 in. or 6 in.
BSH9514	Aluminum Pole, 8-1/2 ft. Adjustable
BSH9603	Rolling Display Rack
BSH9603HD	Bulk Brush & Pole Prepack, includes rack



(BSH9057)



(BSH92036)



(BSH93078)



(BSH93079)



(BSH92510)

United Marketing

Body

Door Track Tweakster

Part Number	Size
TOL1311	1 in.
TOL1312	2 in.

- Repair crushed, bent, twisted trailer door tracks
- Hammer it through a crushed track section to open it up
- Use the slot to tweak the edges back into shape
- Pry track open with the slot to replace rollers & close the track again



(TOL1312)



(TOL1311)

Rivet Setting Tool

	Shaft
TOLSM10-4558-45610	0.401 in.
TOLSM30-4558-45610	0.498 in.



(TOLSM10-4558-45610)



(TOLSM30-4558-45610)

Trailer Tools

Suspension

Bushing Tool
MTRA3256-H-1152



Meritor

- Control arm bushing tool

Bushing Tool
HENS-21307



Hendrickson

- For S-6914 & S-24691 bushing installation
- Wide bushing

Bushing Tool
HENS-24736



Hendrickson

- For S-26321 & S-24705 bushing installation
- Narrow bushing

Socket E-20
HENS-24303



Hendrickson

- For suspension alignment bolt



Tools

SHP

Suspensions **779-928**

Air Springs	780-799
Leaf Springs	800-804
Shocks	805-810
Suspensions & Components . . .	811-926
Fruehauf	811-830
Hendrickson	831-876
Hutch	877-891
Meritor	892-897
SAF-Holland	898-912
Reyco	913-925
U-Bolt Kits	927-928



Suspensions

SUS

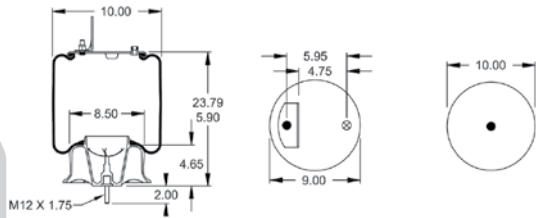
Suspensions

Air Springs

Firestone

FIRW01-358-1191

Firestone



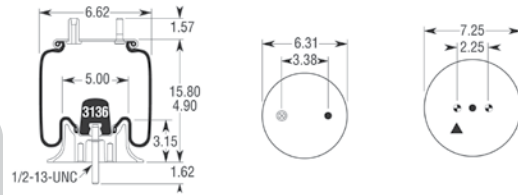
Cross Section

Bead Plate
Top View

Piston
Bottom View

FIRW01-358-5423

Firestone



Cross Section

Bead Plate
Top View

Piston
Bottom View

Firestone

INDUSTRIAL PRODUCTS



Quality



Reliability



Service

The Firestone brand is internationally known and respected. We are the industry leader with a large base of customers. So whether you're looking for OEM, aftermarket or industrial application solutions, you can trust Firestone's quality, reliability and unparalleled service.



firestoneip.com

Quick Reference Airide Springs

Component Descriptions

1. Stud - A permanent part of the bead plate assembly used to attach the airspring to the suspension.
2. Combo Stud - Combination mounting stud and air fitting.
3. Blind Nut - A permanent part of the bead plate assembly providing an alternate mounting system to the stud.
4. Air Fitting Hole - A tapped hole usually 1/4" N.P.T. providing air entrance for the part.
5. Bead Plate - Permanently crimped onto the bellows at the factory allowing complete part leak testing prior to shipment.
6. Bellows - The heart of an Airide spring. Includes at least four plies, or layers, of material—an inner layer, two plies of cord-reinforced fabric, and an outer layer.
7. Bumper (Optional) - A solid molded rubber fail-safe device used on many suspension applications. Prevents excessive damage to vehicle and suspension in the case of sudden air pressure loss.
8. Piston - The lower section of the 1T and 1X style of air spring made from aluminum, steel or fiber reinforced plastic. Provides lower mounting arrangement for the air spring in the form of tapped holes or studs.
9. Piston Bolt - Attaches the piston to the bellows assembly. Extended, in some cases, to serve as a means of attaching the spring to the suspension.
10. Girdle Hoop - A ring between the convolutions of the convoluted type air spring.

Firestone

Air Springs

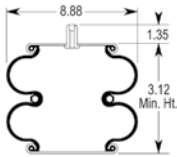
SUS

Air Springs

Firestone

FIRW01-358-7897

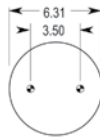
Firestone



Cross Section



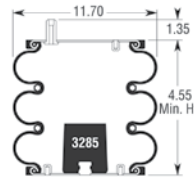
Bead Plate
Top View



Piston
Bottom View

FIRW01-358-8032

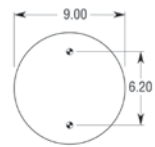
Firestone



Cross Section



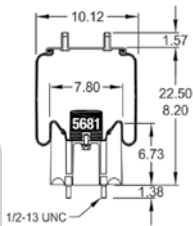
Bead Plate
Top View



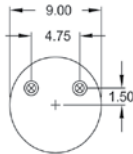
Piston
Bottom View

FIRW01-358-6262

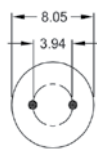
Firestone



Cross Section



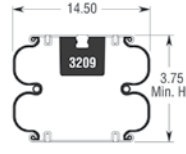
Bead Plate
Top View



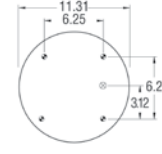
Piston
Bottom View

FIRW01-358-6801

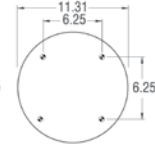
Firestone



Cross Section



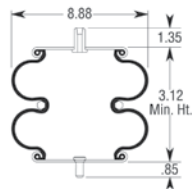
Bead Plate
Top View



Piston
Bottom View

FIRW01-358-6897

Firestone



Cross Section



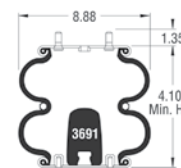
Bead Plate
Top View



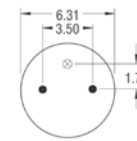
Piston
Bottom View

FIRW01-358-6905

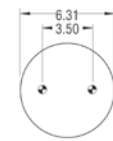
Firestone



Cross Section



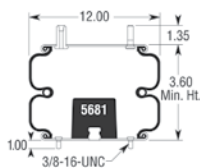
Bead Plate
Top View



Piston
Bottom View

FIRW01-358-7555

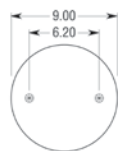
Firestone



Cross Section



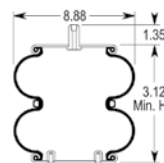
Bead Plate
Top View



Piston
Bottom View

FIRW01-358-7795

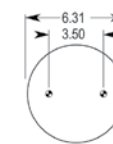
Firestone



Cross Section



Bead Plate
Top View



Piston
Bottom View

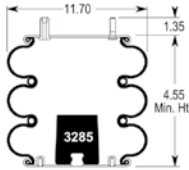
Suspensions

Air Springs

Firestone

FIRW01-358-8033

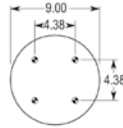
Firestone



Cross Section



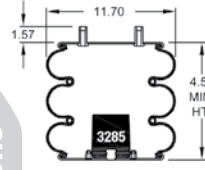
Bead Plate Top View



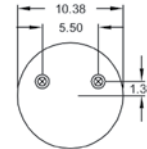
Piston Bottom View

FIRW01-358-8042

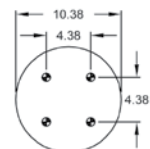
Firestone



Cross Section



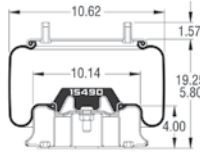
Bead Plate Top View



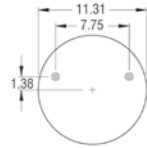
Piston Bottom View

FIRW01-358-8050

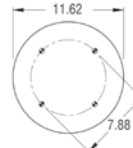
Firestone



Cross Section



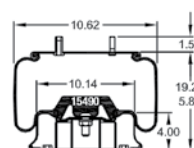
Bead Plate Top View



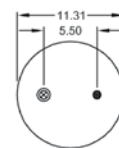
Piston Bottom View

FIRW01-358-8052

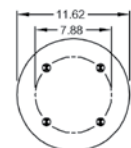
Firestone



Cross Section



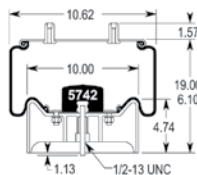
Bead Plate Top View



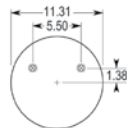
Piston Bottom View

FIRW01-358-8091

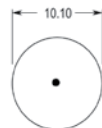
Firestone



Cross Section



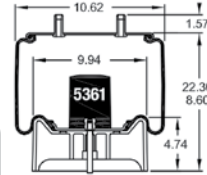
Bead Plate Top View



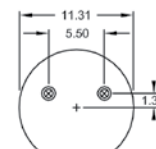
Piston Bottom View

FIRW01-358-8093

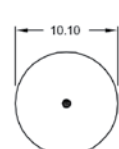
Firestone



Cross Section



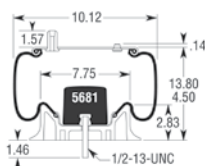
Bead Plate Top View



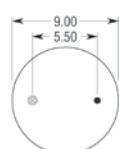
Piston Bottom View

FIRW01-358-8197

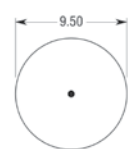
Firestone



Cross Section



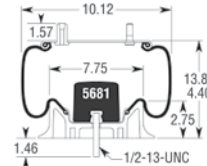
Bead Plate Top View



Piston Bottom View

FIRW01-358-8204

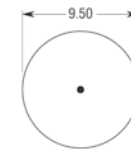
Firestone



Cross Section



Bead Plate Top View



Piston Bottom View

Firestone

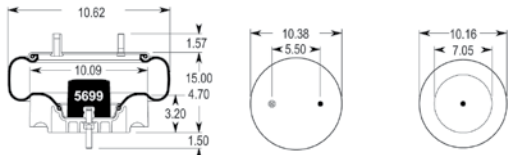
Air Springs

SUS

Air Springs

Firestone

FIRW01-358-8617

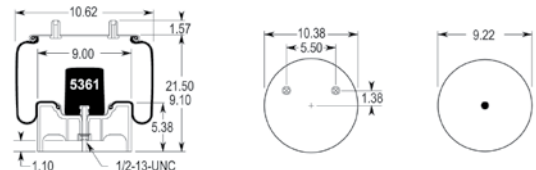


Cross Section

Bead Plate Top View

Piston Bottom View

FIRW01-358-8708

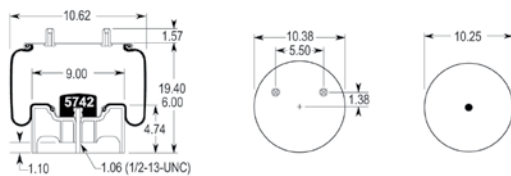


Cross Section

Bead Plate Top View

Piston Bottom View

FIRW01-358-8709

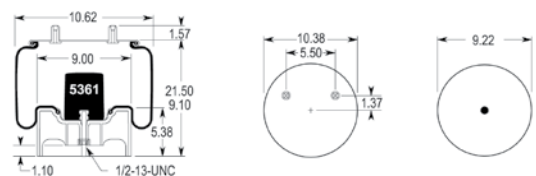


Cross Section

Bead Plate Top View

Piston Bottom View

FIRW01-358-8713

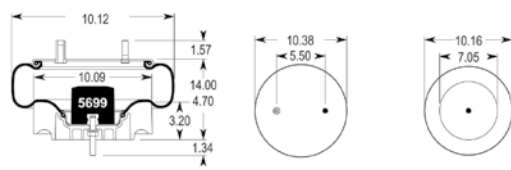


Cross Section

Bead Plate Top View

Piston Bottom View

FIRW01-358-8729

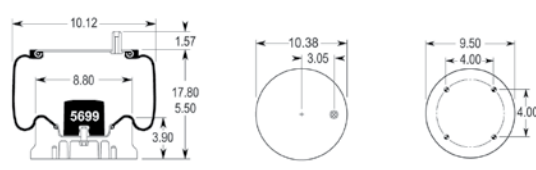


Cross Section

Bead Plate Top View

Piston Bottom View

FIRW01-358-8740

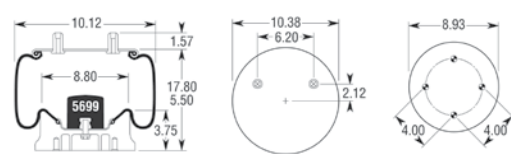


Cross Section

Bead Plate Top View

Piston Bottom View

FIRW01-358-8753

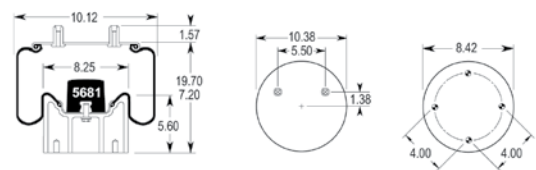


Cross Section

Bead Plate Top View

Piston Bottom View

FIRW01-358-8755



Cross Section

Bead Plate Top View

Piston Bottom View

Firestone

Firestone

Firestone

Firestone

Firestone

Firestone

Firestone

Firestone

Firestone
Air Springs

SUS

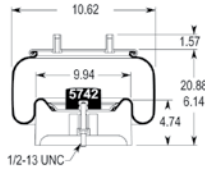
Suspensions

Air Springs

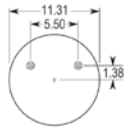
Firestone

FIRW01-358-8774

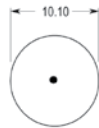
Firestone



Cross Section



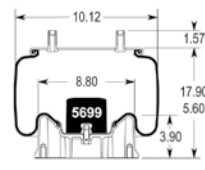
Bead Plate
Top View



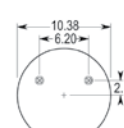
Piston
Bottom View

FIRW01-358-8782

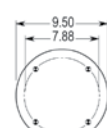
Firestone



Cross Section



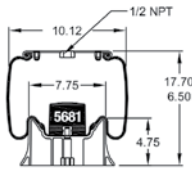
Bead Plate
Top View



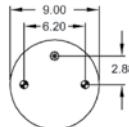
Piston
Bottom View

FIRW01-358-8813

Firestone



Cross Section



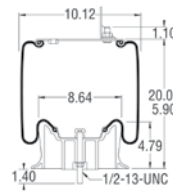
Bead Plate
Top View



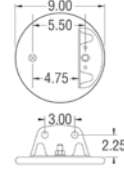
Piston
Bottom View

FIRW01-358-8829

Firestone



Cross Section



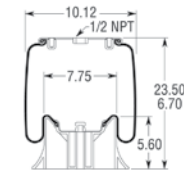
Bead Plate
Top View



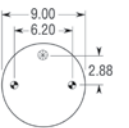
Piston
Bottom View

FIRW01-358-8852

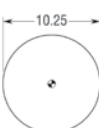
Firestone



Cross Section



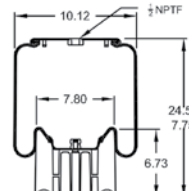
Bead Plate
Top View



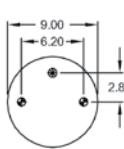
Piston
Bottom View

FIRW01-358-8864

Firestone



Cross Section



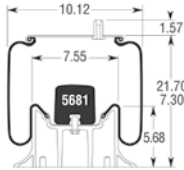
Bead Plate
Top View



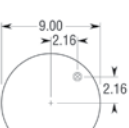
Piston
Bottom View

FIRW01-358-8944

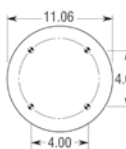
Firestone



Cross Section



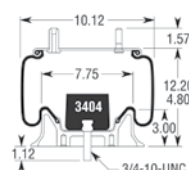
Bead Plate
Top View



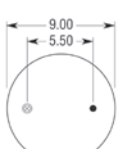
Piston
Bottom View

FIRW01-358-9039

Firestone



Cross Section



Bead Plate
Top View



Piston
Bottom View

Firestone

Air Springs

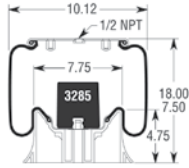
SUS

Air Springs

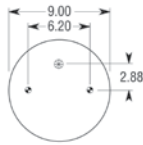
Firestone

FIRW01-358-9069

Firestone



Cross Section



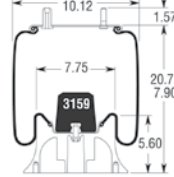
Bead Plate
Top View



Piston
Bottom View

FIRW01-358-9082

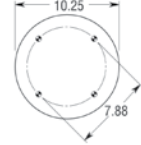
Firestone



Cross Section



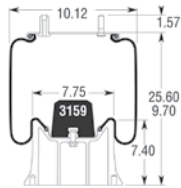
Bead Plate
Top View



Piston
Bottom View

FIRW01-358-9101

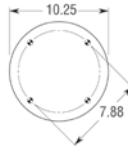
Firestone



Cross Section



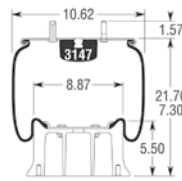
Bead Plate
Top View



Piston
Bottom View

FIRW01-358-9121

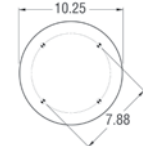
Firestone



Cross Section



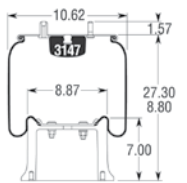
Bead Plate
Top View



Piston
Bottom View

FIRW01-358-9122

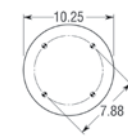
Firestone



Cross Section



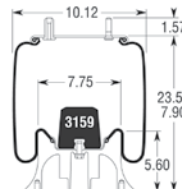
Bead Plate
Top View



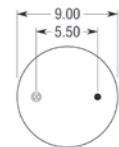
Piston
Bottom View

FIRW01-358-9192

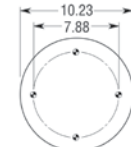
Firestone



Cross Section



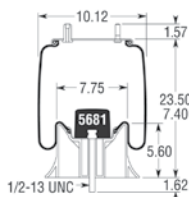
Bead Plate
Top View



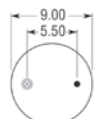
Piston
Bottom View

FIRW01-358-9243

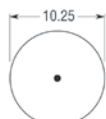
Firestone



Cross Section



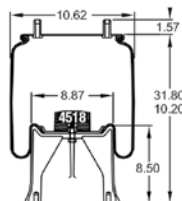
Bead Plate
Top View



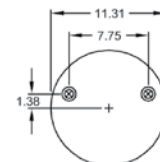
Piston
Bottom View

FIRW01-358-9264

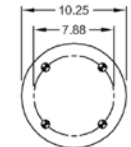
Firestone



Cross Section



Bead Plate
Top View



Piston
Bottom View

Firestone
Air Springs

SUS

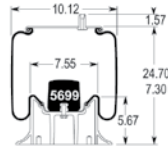
Suspensions

Air Springs

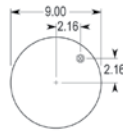
Firestone

FIRW01-358-9265

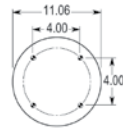
Firestone



Cross Section



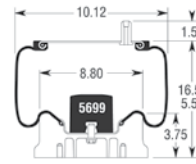
Bead Plate
Top View



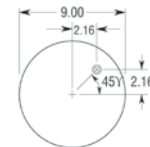
Piston
Bottom View

FIRW01-358-9270

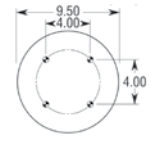
Firestone



Cross Section



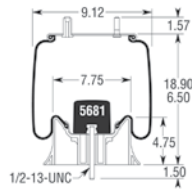
Bead Plate
Top View



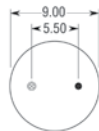
Piston
Bottom View

FIRW01-358-9293

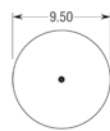
Firestone



Cross Section



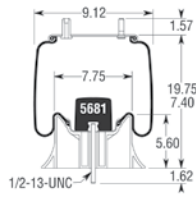
Bead Plate
Top View



Piston
Bottom View

FIRW01-358-9295

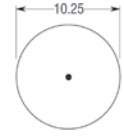
Firestone



Cross Section



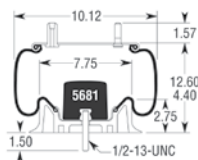
Bead Plate
Top View



Piston
Bottom View

FIRW01-358-9307

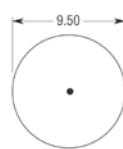
Firestone



Cross Section



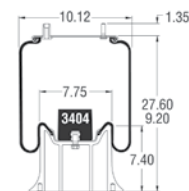
Bead Plate
Top View



Piston
Bottom View

FIRW01-358-9321

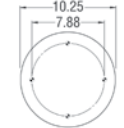
Firestone



Cross Section



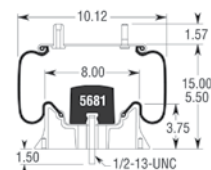
Bead Plate
Top View



Piston
Bottom View

FIRW01-358-9366

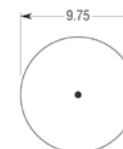
Firestone



Cross Section



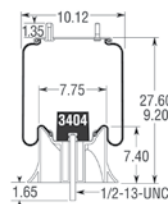
Bead Plate
Top View



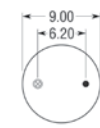
Piston
Bottom View

FIRW01-358-9370

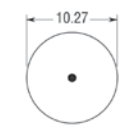
Firestone



Cross Section



Bead Plate
Top View



Piston
Bottom View

Firestone

Air Springs

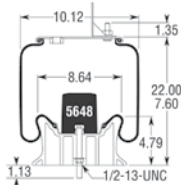
SUS

Air Springs

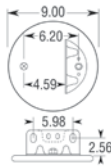
Firestone

FIRW01-358-9373

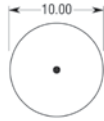
Firestone



Cross Section



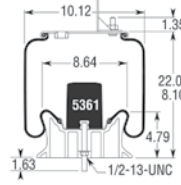
Bead Plate
Top View



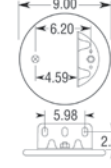
Piston
Bottom View

FIRW01-358-9375

Firestone



Cross Section



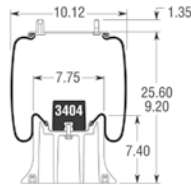
Bead Plate
Top View



Piston
Bottom View

FIRW01-358-9394

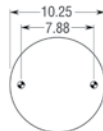
Firestone



Cross Section



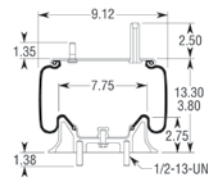
Bead Plate
Top View



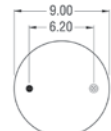
Piston
Bottom View

FIRW01-358-9422

Firestone



Cross Section



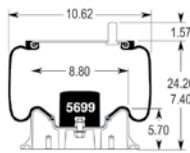
Bead Plate
Top View



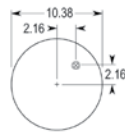
Piston
Bottom View

FIRW01-358-9580

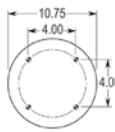
Firestone



Cross Section



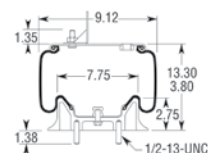
Bead Plate
Top View



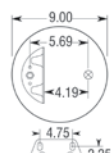
Piston
Bottom View

FIRW01-358-9616

Firestone



Cross Section



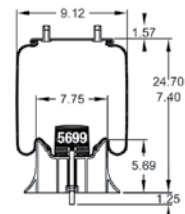
Bead Plate
Top View



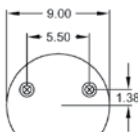
Piston
Bottom View

FIRW01-358-9621

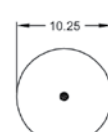
Firestone



Cross Section



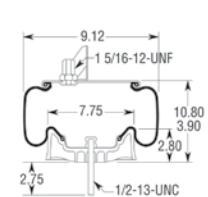
Bead Plate
Top View



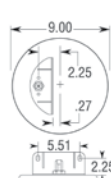
Piston
Bottom View

FIRW01-358-9622

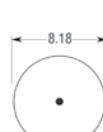
Firestone



Cross Section



Bead Plate
Top View



Piston
Bottom View

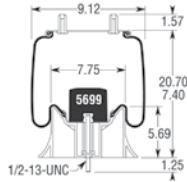
Suspensions

Air Springs

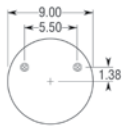
Firestone

FIRW01-358-9626

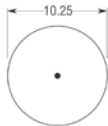
Firestone



Cross Section



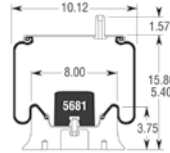
Bead Plate
Top View



Piston
Bottom View

FIRW01-358-9640

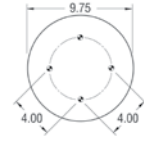
Firestone



Cross Section



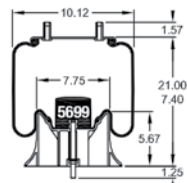
Bead Plate
Top View



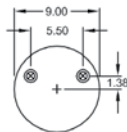
Piston
Bottom View

FIRW01-358-9644

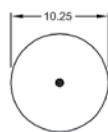
Firestone



Cross Section



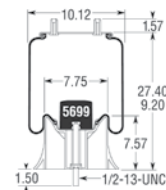
Bead Plate
Top View



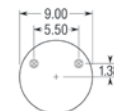
Piston
Bottom View

FIRW01-358-9645

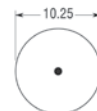
Firestone



Cross Section



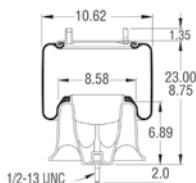
Bead Plate
Top View



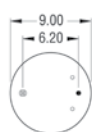
Piston
Bottom View

FIRW01-358-9780

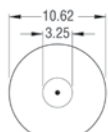
Firestone



Cross Section



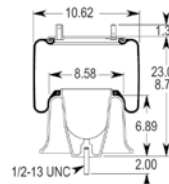
Bead Plate
Top View



Piston
Bottom View

FIRW01-358-9781

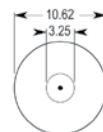
Firestone



Cross Section



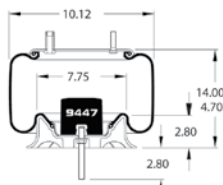
Bead Plate
Top View



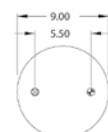
Piston
Bottom View

FIRW01-358-9807

Firestone



Cross Section



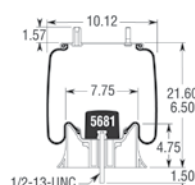
Bead Plate
Top View



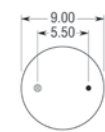
Piston
Bottom View

FIRW01-358-9921

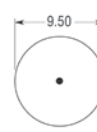
Firestone



Cross Section



Bead Plate
Top View



Piston
Bottom View

Firestone

Air Springs

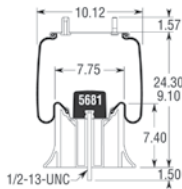
SUS

Air Springs

Firestone

FIRW01-358-9922

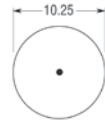
Firestone



Cross Section



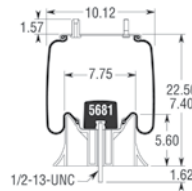
Bead Plate
Top View



Piston
Bottom View

FIRW01-358-9923

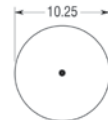
Firestone



Cross Section



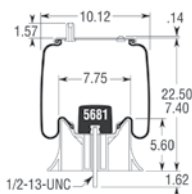
Bead Plate
Top View



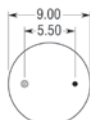
Piston
Bottom View

FIRW01-358-9935

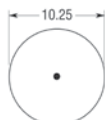
Firestone



Cross Section



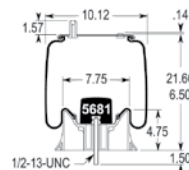
Bead Plate
Top View



Piston
Bottom View

FIRW01-358-9936

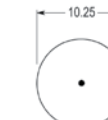
Firestone



Cross Section



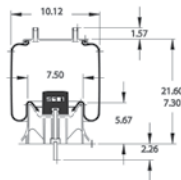
Bead Plate
Top View



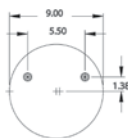
Piston
Bottom View

FIRW01-358-9974

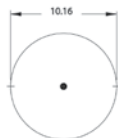
Firestone



Cross Section



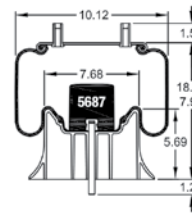
Bead Plate
Top View



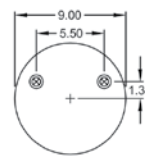
Piston
Bottom View

FIRW01-358-9978

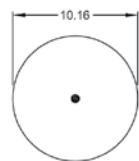
Firestone



Cross Section



Bead Plate
Top View



Piston
Bottom View

Hendrickson

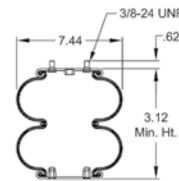
DANSR1VA105

Hendrickson

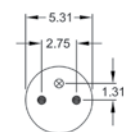


HENR-005079

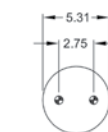
Hendrickson



Cross Section



Bead Plate
Top View



Piston
Bottom View

Firestone

HENDRICKSON

Air Springs

SUS

Suspensions

Air Springs

Hendrickson

HENS-20010

Hendrickson

Cross Section Bead Plate Top View Piston Bottom View

HENS-20124

Hendrickson

Cross Section Bead Plate Top View Piston Bottom View

HENS-20127

Hendrickson

Cross Section Bead Plate Top View Piston Bottom View

HENS-20217

Hendrickson

Cross Section Bead Plate Top View Piston Bottom View

HENS-20223

Hendrickson

Cross Section Bead Plate Top View Piston Bottom View

HENS-20901

Hendrickson

Cross Section Bead Plate Top View Piston Bottom View

HENS-21800

Hendrickson

Cross Section Bead Plate Top View Piston Bottom View

HENS-22045

Hendrickson

Cross Section Bead Plate Top View Piston Bottom View

Air Springs

Hendrickson

HENS-22948

Hendrickson

Cross Section Bead Plate Top View Piston Bottom View

HENS-23114

Hendrickson

Cross Section Bead Plate Top View Piston Bottom View

HENS-23611

Hendrickson

Cross Section Bead Plate Top View Piston Bottom View

HENS-23612

Hendrickson

Cross Section Bead Plate Top View Piston Bottom View

HENS-23613

Hendrickson

Cross Section Bead Plate Top View Piston Bottom View

HENS-23614

Hendrickson

Cross Section Bead Plate Top View Piston Bottom View

HENS-23720

Hendrickson

Cross Section Bead Plate Top View Piston Bottom View

HENS-23721

Hendrickson

Cross Section Bead Plate Top View Piston Bottom View

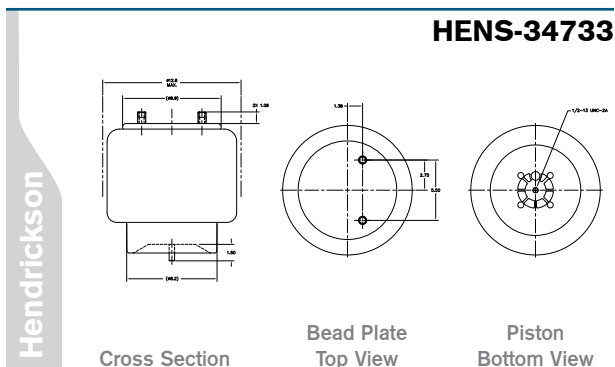
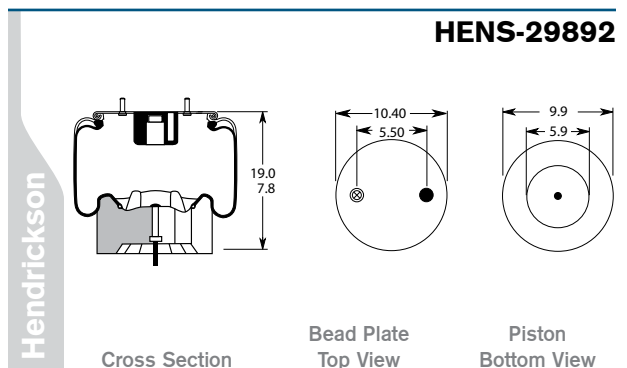
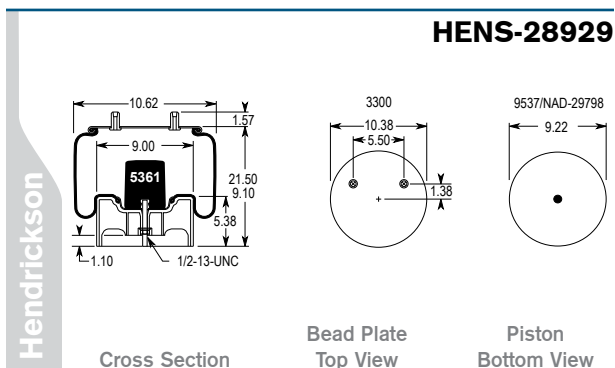
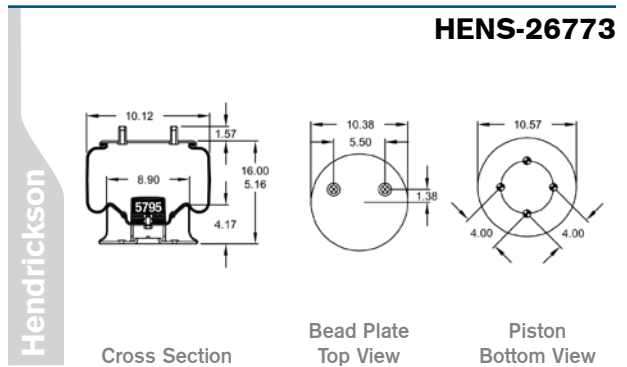
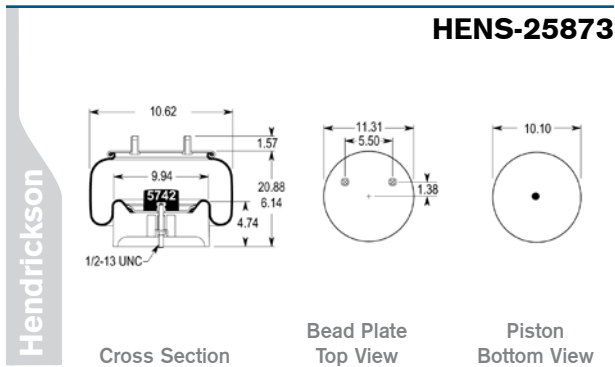
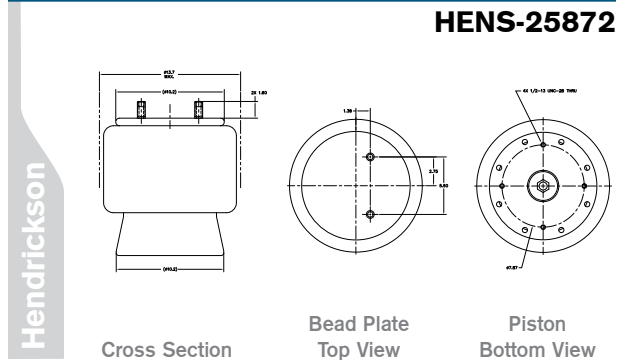
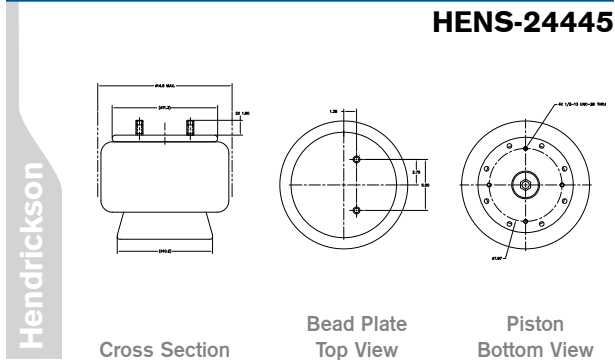
HENDRICKSON
Air Springs

SUS

Suspensions

Air Springs

Hendrickson



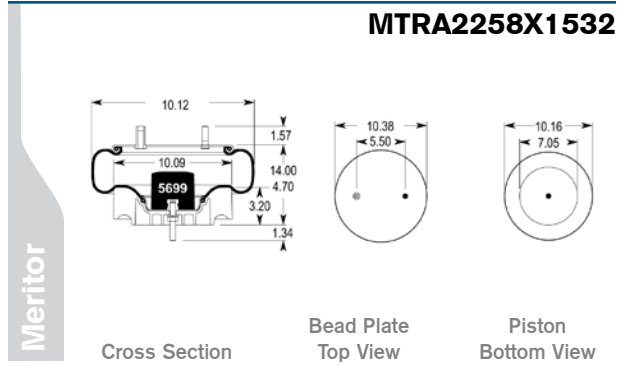
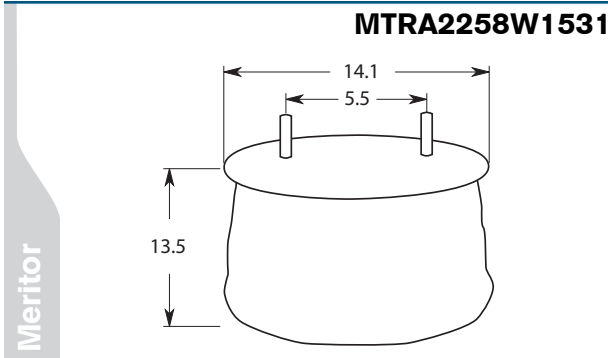
HENDRICKSON

Air Springs

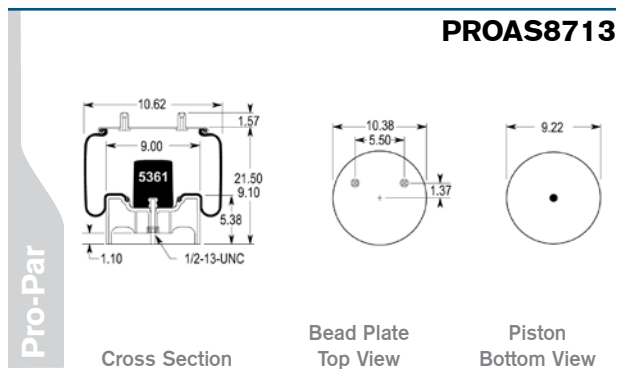
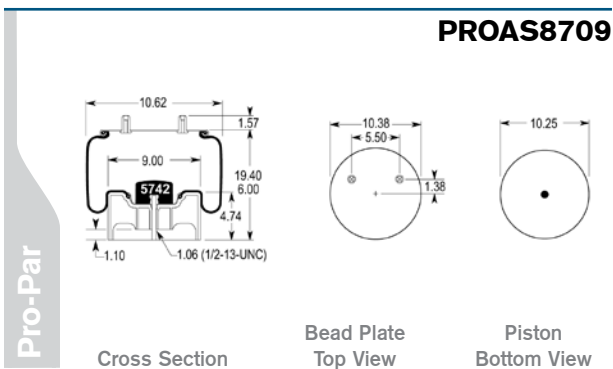
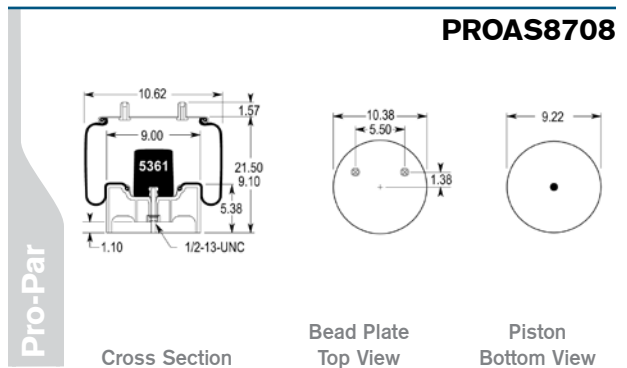
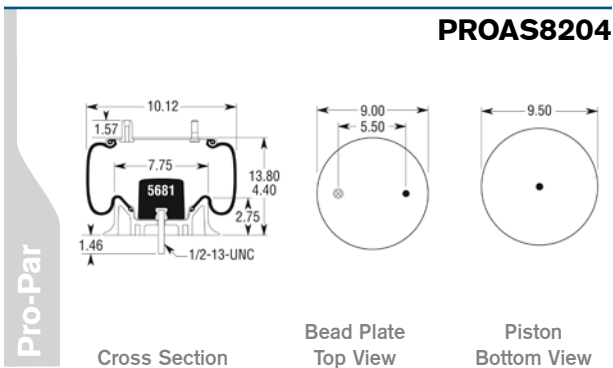
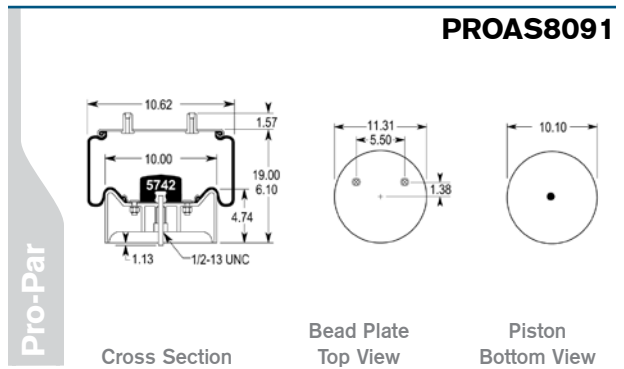
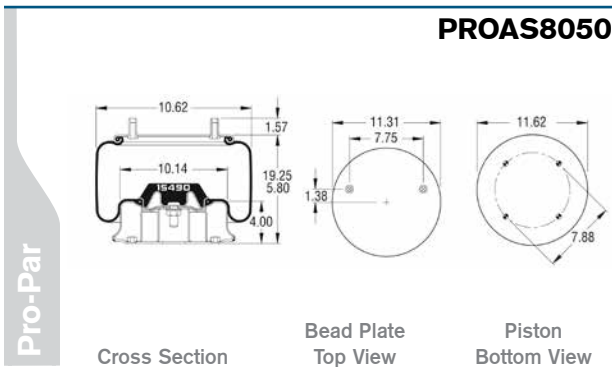
SUS

Air Springs

Meritor



Pro-Par



Air Springs

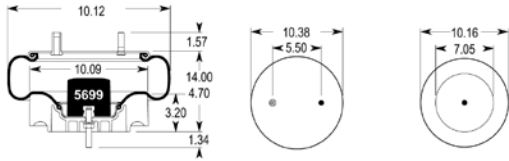
SUS

Suspensions

Air Springs

Pro-Par

PROAS8729

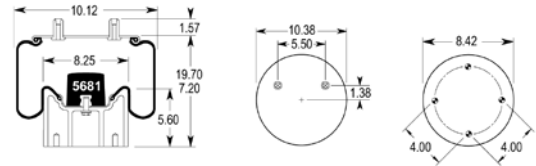


Cross Section

Bead Plate Top View

Piston Bottom View

PROAS8755

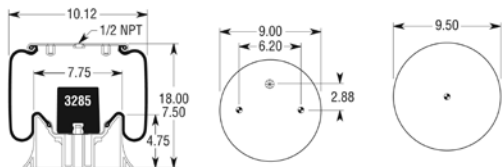


Cross Section

Bead Plate Top View

Piston Bottom View

PROAS9069

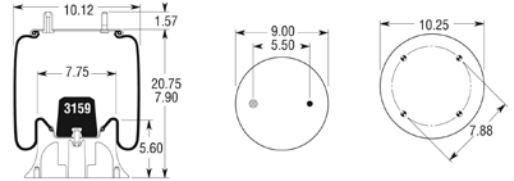


Cross Section

Bead Plate Top View

Piston Bottom View

PROAS9082

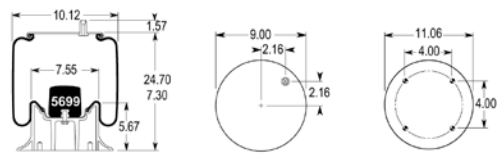


Cross Section

Bead Plate Top View

Piston Bottom View

PROAS9265

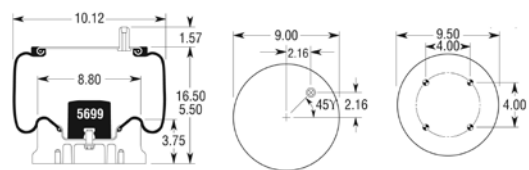


Cross Section

Bead Plate Top View

Piston Bottom View

PROAS9270

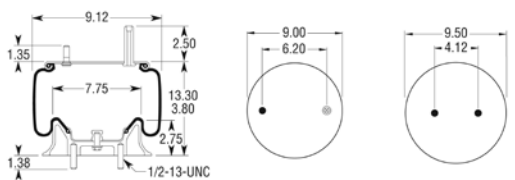


Cross Section

Bead Plate Top View

Piston Bottom View

PROAS9422

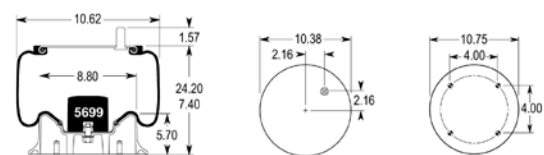


Cross Section

Bead Plate Top View

Piston Bottom View

PROAS9580



Cross Section

Bead Plate Top View

Piston Bottom View



Air Springs

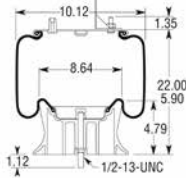
SUS

Air Springs

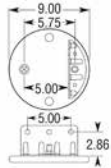
Pro-Par

PROAS9648

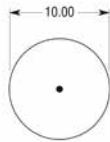
Pro-Par



Cross Section



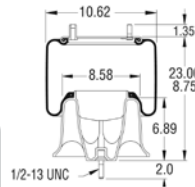
Bead Plate Top View



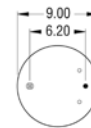
Piston Bottom View

PROAS9780

Pro-Par



Cross Section



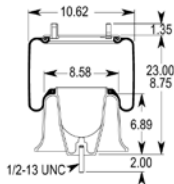
Bead Plate Top View



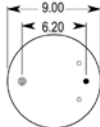
Piston Bottom View

PROAS9781

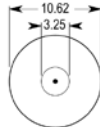
Pro-Par



Cross Section



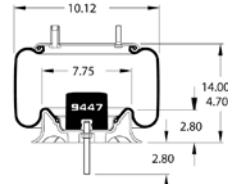
Bead Plate Top View



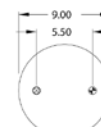
Piston Bottom View

PROAS9807

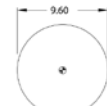
Pro-Par



Cross Section



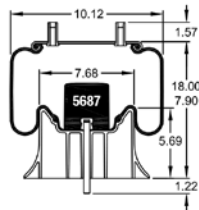
Bead Plate Top View



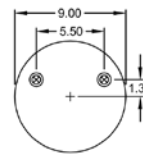
Piston Bottom View

PROAS9978

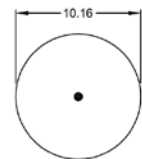
Pro-Par



Cross Section



Bead Plate Top View



Piston Bottom View

Air Springs



SUS

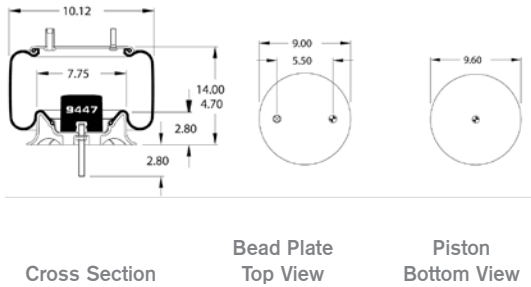
Suspensions

Air Springs

SAF-Holland

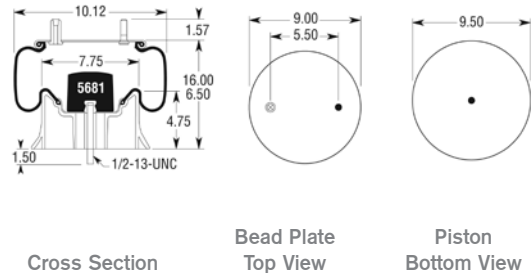
NEW508-57-000

SAF-Holland



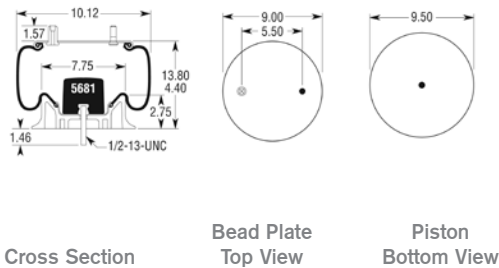
NEW905-57-159

SAF-Holland



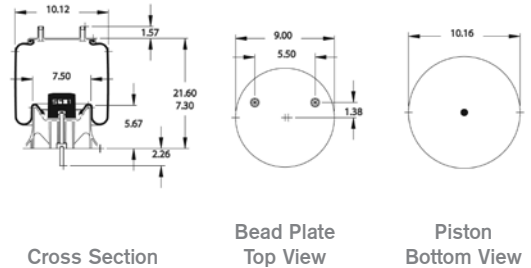
NEW905-57-223

SAF-Holland



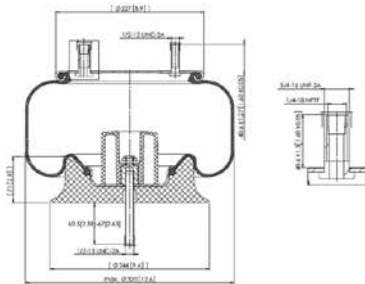
NEW905-57-369

SAF-Holland



NEW905-57-375

SAF-Holland



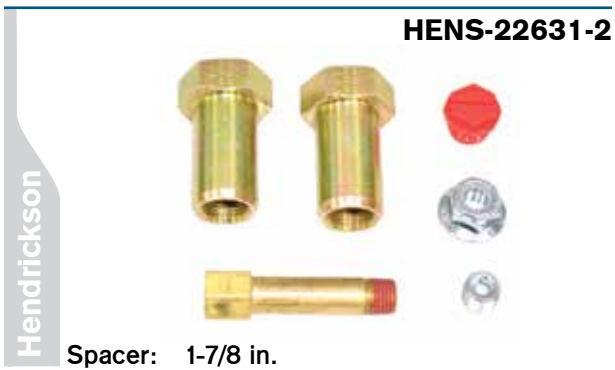
More Information

Air Spring Preventative Maintenance

1. Inspect the outer diameter of the air spring. Check for signs of irregular wear or heat cracking.
2. Inspect air lines to make sure they are not in contact with outer diameter of the air spring.
3. Check that there is sufficient clearance around the air spring while at its maximum diameter.
4. Check the outer diameter of the piston for foreign materials. Clean using soap & water, methyl alcohol, ethyl alcohol or isopropyl alcohol.
5. Maintain correct ride height within a 1/4 in. This height is found in your service manual.
6. Clean, check and replace leveling valves as needed.
7. Use the proper shock absorbers and maintain them to help limit the rebound of the air spring and keep it from overextending.
8. Check all the mounting hardware for proper tightness. Do not over-tighten.

Accessories

Mounting Kits



HENDRICKSON

Air Springs

SUS

Suspensions

Accessories

Firestone

Pedestal
FIRWC1-358-1608



Firestone

Pedestal
FIRWC1-358-1694



Hendrickson

Plate
HENS-21209



Hendrickson

Plate
HENS-23294



E VANTRAAAX.5688

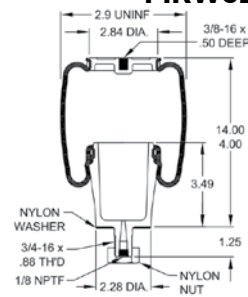
SAF-Holland

Plate
NEW900-33-785



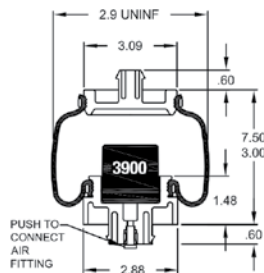
Firestone

Sleeve
FIRW02-358-7036



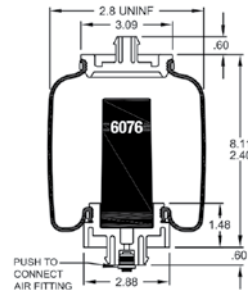
Firestone

Sleeve
FIRW02-358-7206



Firestone

Sleeve
FIRW02-358-7215



Firestone

SAF-Holland

Air Springs

SUS

Accessories

Spacers

FIRWC1-358-1691



Firestone

HOL900-36-274



SAF-Holland

For: NEW508-57-000
Ride Height: 16-1/2 in.

HENS-22510-1



Hendrickson

Spacer: 1-1/8 in.

HENS-22510-2



Hendrickson

Spacer: 1-7/8 in.

HENS-22510-3



Hendrickson

Spacer: 3-1/8 in.

HENS-22510-4



Hendrickson

Spacer: 3/4 in.

HENS-26807



Hendrickson

Outer Diameter: 7 in.
Inner Diameter: 3-7/8 in.

Firestone

SAF-Holland

HENDRICKSON

Air Springs

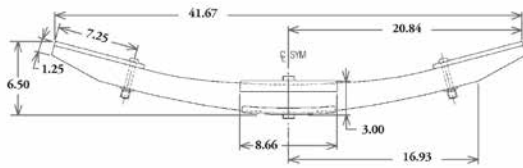
SUS

Suspensions

Leaf Springs

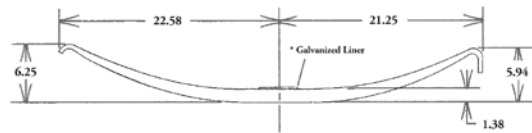
Single Leaf

Leaf	Part Number
1	PROSU-TRA028



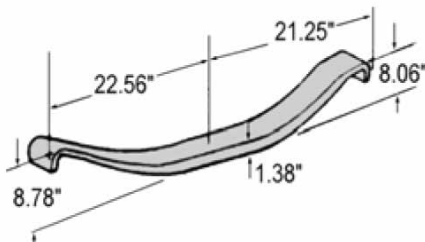
Material: Composite

Type	Height	Length	Leaf	Part Number
Low	1-3/8 in.	43-13/16 in.	1	PROSU-TRA021



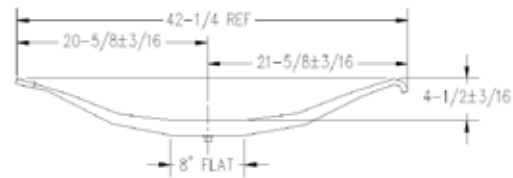
Reference: Hutch 363-00

Type	Height	Length	Leaf	Part Number
High	1-3/8 in.	43-13/16 in.	1	PROSU-TRA023



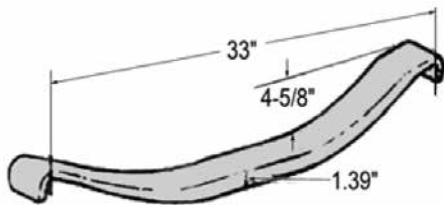
Reference: Hutch 360-00

Type	Height	Length	Leaf	Part Number
Flat	4-1/2 in.	42-1/4 in.	1	PROSU-TRA038

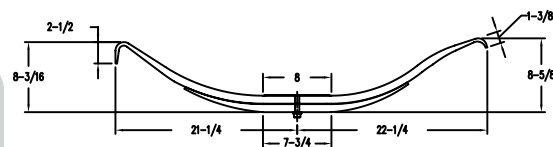


Reference: East RS93C

Type	Height	Length	Leaf	Part Number
High	4-5/8 in.	33 in.	1	PROSU-TRA0015

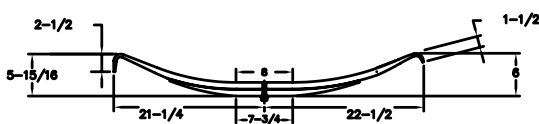


Type	Length	Leaf	Part Number
High	45-3/4 in.	2	PROSU-TRA2752



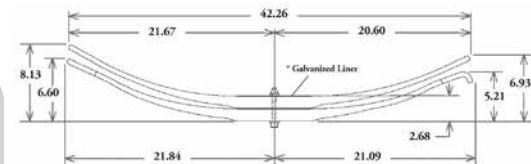
Reference: Hutch 324-00

Type	Height	Length	Leaf	Part Number
Low	1-15/16 in.	43-47/64 in.	2	PROSU-TRA2754



Reference: Hutch 326-00

Type	Length	Leaf	Part Number
Medium	42.26	2	PROSU-TRA2757



Reference: Hutch 16710-01

pro-par
ON Every Day Parts

Leaf Springs

SUS

Leaf Springs
800

800.621.7949

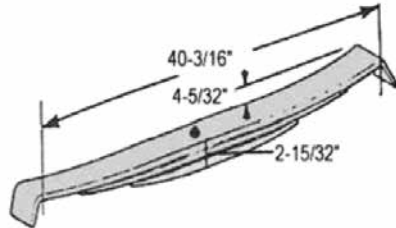
= Key Items

www.AuroraParts.com

Leaf Springs

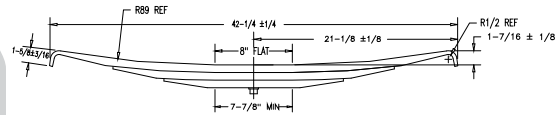
Three Leaf

Type	Height	Length	Leaf	
High	2-15/32 in.	40-3/16 in.	3	PROSU-TRA693



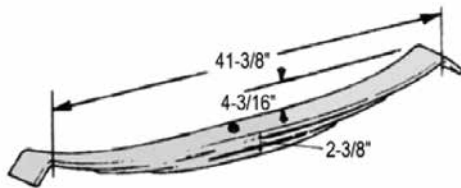
Reference: J2 Suspension

Type	Height	Length	Leaf	
Low	1-7/16 in.	42-1/4 in.	3	PROSU-TRA697



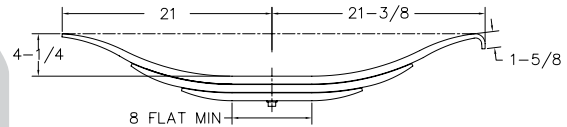
Reference: Fruehauf UCA7981-1

Height	Length	Leaf	
2-3/8 in.	41-3/8 in.	3	PROSU-TRA1492



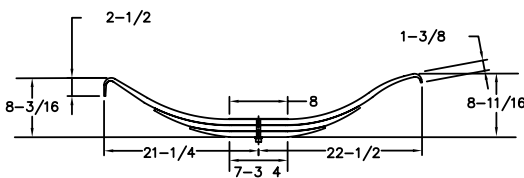
Reference: Trailmobile 3-A3-62

Type	Height	Length	Leaf	
	1-5/8 in.	42-3/8 in.	3	PROSU-TRA2291



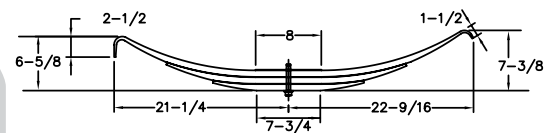
Reference: Reyco 0837601

Type	Height	Length	Leaf	
High	2-15/32 in.	43-13/16 in.	3	PROSU-TRA2726



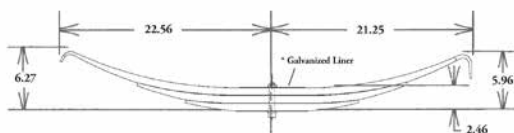
Reference: Hutch 354-00

Type	Height	Length	Leaf	
High	2-15/32 in.	43-13/16 in.	3	PROSU-TRA2727



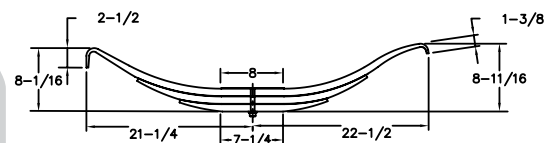
Reference: Hutch 355-00

Type	Height	Length	Leaf	
Low	2-15/32 in.	43-13/16 in.	3	PROSU-TRA2728



Reference: Hutch 356-00

Type	Height	Length	Leaf	
High	2-29/32 in.	43-47/64 in.	3	PROSU-TRA2740



Reference: Hutch 365-00

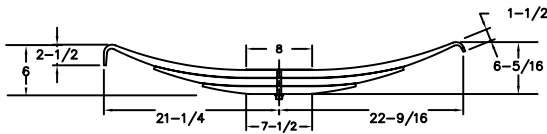
Leaf Springs
SUS
pro-par
PRO-PAR PARTS & ACCESSORIES, LLC.

Suspensions

Leaf Springs

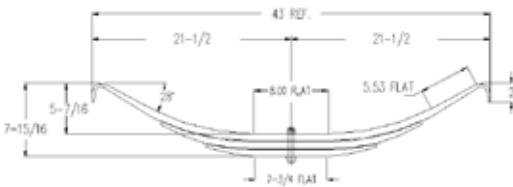
Three Leaf

Type	Height	Length	Leaf
Low	2-29/32 in.	43-51/64 in.	3 PROSU-TRA2741

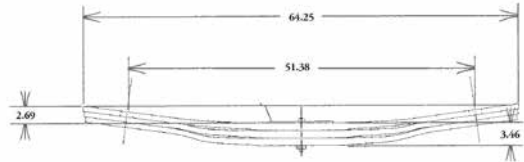


Reference: Hutch 365-01

Type	Height	Length	Leaf
High	7-15/16 in.	43 in.	3 PROSU-TRA3330

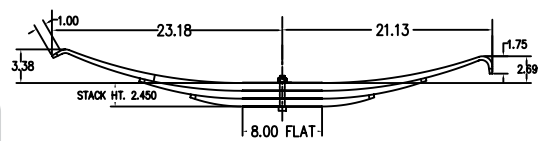


Height	Length	Leaf
3-7/16 in.	64-1/4 in.	3 PROSU-TRA2750



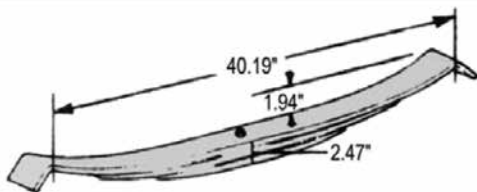
Parabolic Trailer Spring, Single Point

Type	Height	Length	Leaf
Low	2-1/2 in.	44-1/2 in.	3 PROSU-TRA3341



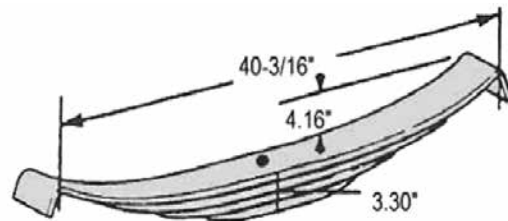
Reference: Reyco 0079-02

Type	Height	Length	Leaf
Low	2-15/32 in.	40-3/16 in.	3 PROSU-TRA3614



Four Leaf

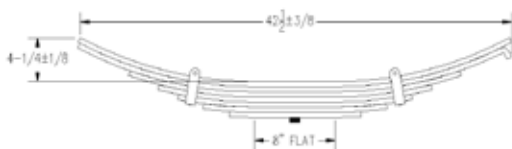
Type	Height	Length	Leaf
High	3-19/64 in.	40-3/16 in.	4 PROSU-TRA699



Reference: J2 Suspension

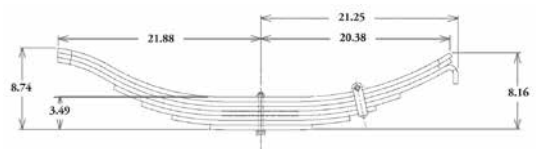
Seven Leaf

Type	Height	Length	Leaf
Flat	4-1/4 in.	42-1/2 in.	7 PROSU-TRA2256



Reyco T3086

Type	Leaf
High	7 PROSU-TRA2705

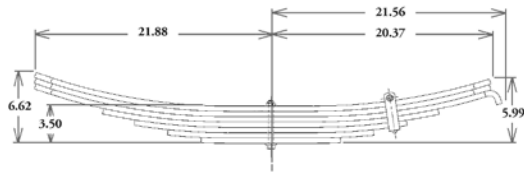


Reference: Hutch 751-05

Leaf Springs

Seven Leaf

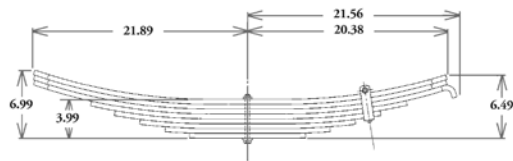
Type	Height	Length	Leaf
Low	3-1/2 in.	42-1/4 in.	7 PROSU-TRA2706



Hutch 751-01

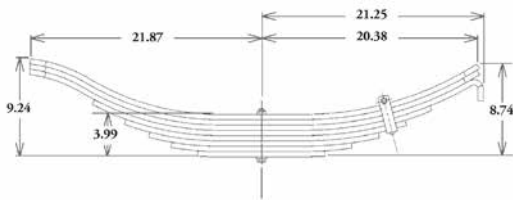
Eight Leaf

Type	Leaf
Low	8 PROSU-TRA2732



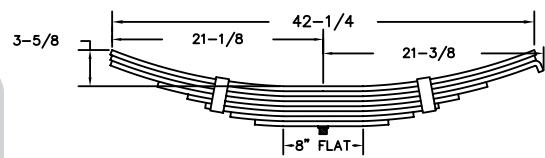
Reference: Hutch 752-01

Type	Leaf
High	8 PROSU-TRA2260



Reference: Hutch 752-05

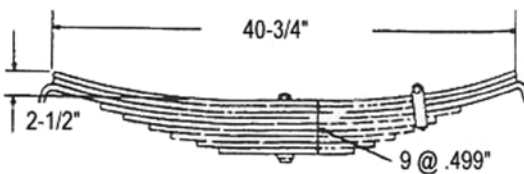
Leaf
8 PROSU-TRA2270



Reference: Reyco T3564

Nine Leaf

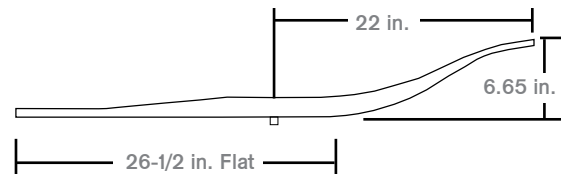
Type	Leaf
Low	9 PROSU-TRA696



Reference: TRA0696

Additional

Location	Leaf
Left Hand	PROSU-TRA074
Right Hand	PROSU-TRA075



(PROSU-TRA074 shown)

Leaf Springs



SUS

Suspensions

Leaf Springs

Accessories

Spring End Cap
HUT9937-00



Hutchens

Tech Tip

Measuring Old Leaf Springs

When measuring an old leaf spring, you have to do so with no weight on it by either jacking up the trailer to measure or by removing the spring completely.

Shock Absorbers

NEW TECHNOLOGY. FRESH PAINT. MONROE® HEAVY-DUTY QUALITY.

Available for class 3-8 commercial trucks, emergency, severe use and fleet vehicles, new Monroe® Magnum™ shocks are built for performance and durability.

MONROEHEAVYDUTY.COM

© 2018 Tenneco Automotive Operating Company Inc.

Shock Absorbers

Monroe

	Bore	Collapsed Length	Extended Length	Mounting	Type
MNR66607	1-3/8 in.	9-15/16 in.	13-15/32 in.	Eye Ring	Gas-Magnum 60
MNR66608	1-3/8 in.	11-11/16 in.	16-53/64 in.	Eye Ring	Gas-Magnum 60
MNR66636	1-3/8 in.	13-7/16 in.	20-29/64 in.	Eye Ring	Gas-Magnum 60
MNR66884	1-3/8 in.	17-3/16 in.	27-61/64 in.	Eye Ring	Gas-Magnum 60
MNR66886	1-3/8 in.	14-3/16 in.	21-53/64 in.	Eye Ring	Gas-Magnum 60
MNR66893	1-3/8 in.	11-15/16 in.	17-29/64 in.	Eye Ring	Gas-Magnum 60
MNR65416	1-3/4 in.	11-63/64 in.	17-3/4 in.	Sleeve	Gas-Magnum 65



(Eye Ring)



(Stem)

Tenneco

Hendrickson

	Bore	Collapsed Length	Extended Length	Mounting
HENS-2212	1-5/8 in.	13-3/32 in.	20-1/2 in.	Eye Ring
HENS-20001	1-3/8 in.	11-1/2 in.	16-7/8 in.	Eye Ring
HENS-20002	1-5/8 in.	11-15/32 in.	17-7/32 in.	Eye Ring
HENS-21292	1-5/8 in.	9-15/32 in.	13-1/4 in.	Eye Ring
HENS-23316	1-5/8 in.	13-19/64 in.	20-1/8 in.	Eye Ring
HENS-23548	1-5/8 in.	8-7/8 in.	12-3/64 in.	Eye Ring
HENS-23566	1-5/8 in.	11-15/32 in.	17-7/32 in.	Eye Ring
HENS-23649	-	-	-	-
HENS-23650	1-5/8 in.	9-15/32 in.	13-1/4 in.	Eye Ring
HENS-23651	1-5/8 in.	10-7/64 in.	14-1/2 in.	Eye Ring
HENS-23744	-	-	-	-
HENS-24023	1-5/8 in.	11-45/64 in.	17-15/32 in.	Eye Ring
HENS-24088	1-5/8 in.	11-15/32 in.	17-7/32 in.	Eye Ring
HENS-25515	1-5/8 in.	12-45/64 in.	19-15/32 in.	Eye Ring
HENR-009600	-	-	-	-



(Eye Ring)

Hendrickson

Meritor

	Bore	Collapsed Length	Extended Length	Mounting
MTR85919	1-5/8 in.	14-1/4 in.	22-31/64 in.	Eye Ring



(Eye Ring)

Meritor

Suspensions

Shock Absorbers

FleetLine

	Bore	Collapsed Length	Extended Length	Mounting	Type
GAB83008	1-3/8 in.	10-5/32 in.	12-63/64 in.	Eye Ring	Cab Shock
GAB83038	1-3/8 in.	8-23/64 in.	10-13/32 in.	Eye Ring	Cab Shock
GAB83128	1-3/8 in.	11-33/64 in.	16-7/8 in.	Eye Ring	83 Series
GAB85000	1-5/8 in.	11-15/32 in.	17-7/32 in.	Eye Ring	85 Series
GAB85033	1-5/8 in.	17-3/8 in.	21-7/32 in.	Stem	85 Series
GAB85045	1-5/8 in.	10-3/32 in.	14-33/64 in.	Eye Ring	85 Series
GAB85061	1-5/8 in.	15-7/32 in.	24-3/4 in.	Eye Ring	85 Series
GAB85062	1-5/8 in.	12-19/32 in.	19-49/64 in.	Eye Ring	85 Series
GAB85067	1-5/8 in.	18-3/32 in.	30-33/64 in.	Eye Ring	85 Series
GAB85069	1-5/8 in.	15-15/16 in.	26-9/32 in.	Stem	85 Series
GAB85070	1-5/8 in.	15-13/16 in.	25-19/32 in.	Eye Ring	85 Series
GAB85098	1-5/8 in.	15-1/4 in.	24-5/8 in.	Eye Ring	85 Series
GAB85311	1-5/8 in.	14-51/64 in.	23-61/64 in.	Stem	85 Series
GAB85320	1-5/8 in.	16-23/64 in.	26-1/8 in.	Eye Ring	85 Series
GAB85724	1-5/8 in.	14-1/2 in.	22-25/32 in.	Eye Ring	85 Series
GAB85900	1-5/8 in.	11-5/32 in.	17-17/64 in.	Stem	85 Series
GAB85918	1-5/8 in.	14-35/64 in.	22-31/32 in.	Eye Ring	85 Series
GAB85919	1-5/8 in.	14-1/4 in.	22-31/64 in.	Eye Ring	85 Series
GAB85958	1-5/8 in.	14-35/64 in.	22-31/32 in.	Eye Ring	85 Series
GAB89430	-	-	-	-	89 Series
GAB646155	1-3/16 in.	-	-	-	-



(Eye Ring)

Gabriel

SAF-Holland

	Bore	Collapsed Length	Extended Length	Mounting
NEW900-44-089	1-3/8 in.	13-3/4 in.	21-21/32 in.	Eye Ring
NEW900-44-162	1-3/8 in.	11-1/2 in.	16-7/8 in.	Eye Ring
NEW900-44-625	1-3/8 in.	17-1/8 in.	28-1/8 in.	Eye Ring
NEW900-44-642	1-3/8 in.	13-1/8 in.	20-1/8 in.	Eye Ring
NEW900-45-040	1-3/8 in.	12-1/64 in.	17-63/64 in.	Eye Ring
NEW900-45-298	1-3/8 in.	11-1/2 in.	16-7/8 in.	Eye Ring
NEW900-45-299	1-5/8 in.	11-15/32 in.	17-7/32 in.	Eye Ring



(Eye Ring)

SAF-Holland

SAF-Holland
Shock Absorbers

SUS

HEAVY DUTY SHOCKS



PROVEN QUALITY
EXCEPTIONAL DURABILITY



FLEETLINE



GasSLX

Mile after mile... Job after job.

Gabriel.com

Suspensions

Shock Absorbers

Pro-Par

	Bore	Collapsed Length	Extended Length	Mounting	Additional
PROSH83038	1-3/8 in.	8-3/8 in.	10-7/16 in.	Sleeve	Cap
PROSH83124	1-3/8 in.	13-47/64 in.	21-21/32 in.	Sleeve	83 Series
PROSH83125	1-3/8 in.	17-7/64 in.	28-1/8 in.	Sleeve	83 Series
PROSH83126	1-3/8 in.	15-15/64 in.	24-3/8 in.	Sleeve	83 Series
PROSH83127	1-3/8 in.	13-7/64 in.	20-1/8 in.	Sleeve	83 Series
PROSH83128	1-3/8 in.	11-1/2 in.	16-7/8 in.	Sleeve	83 Series
PROSH83130	1-3/8 in.	11-63/64 in.	17-63/64 in.	Sleeve	83 Series
PROSH83203	1-3/8 in.	11-11/32 in.	17-7/64 in.	Sleeve	83 Series
PROSH83207	1-3/8 in.	13-19/32 in.	21-21/32 in.	Sleeve	83 Series
PROSH85000	 1-5/8 in.	11-15/32 in.	17-7/32 in.	Sleeve	85 Series
PROSH85001	1-5/8 in.	16-23/64 in.	26-9/32 in.	Eye Ring	85 Series
PROSH85006	1-5/8 in.	17-3/32 in.	28-1/2 in.	Sleeve	85 Series
PROSH85014	1-5/8 in.	13-23/32 in.	21-47/64 in.	Sleeve	85 Series
PROSH85029	1-5/8 in.	13-3/32 in.	20-1/2 in.	Sleeve	85 Series
PROSH85030	1-5/8 in.	14-27/32 in.	24.00 in.	Sleeve	85 Series
PROSH85033	1-5/8 in.	17-23/64 in.	27-7/32 in.	Stud	85 Series
PROSH85045	1-5/8 in.	10-7/64 in.	14-33/64 in.	Sleeve	85 Series
PROSH85051	1-5/8 in.	12-1/8 in.	18-35/64 in.	Sleeve	85 Series
PROSH85052	1-5/8 in.	9-15/32 in.	13-1/4 in.	Sleeve	85 Series
PROSH85059	1-5/8 in.	12-13/16 in.	19-7/64 in.	Sleeve	85 Series
PROSH85061	1-5/8 in.	15-15/64 in.	24-3/4 in.	Sleeve	85 Series
PROSH85062	1-5/8 in.	12-19/32 in.	19-49/64 in.	Eye Ring	85 Series
PROSH85066	1-5/8 in.	15-7/32 in.	24-5/8 in.	Eye Ring	85 Series
PROSH85067	1-5/8 in.	18-7/64 in.	30-1/2 in.	Sleeve	85 Series
PROSH85069	1-5/8 in.	15-15/16 in.	26-9/32 in.	Stem	85 Series
PROSH85070	1-5/8 in.	15-13/16 in.	25-19/32 in.	Eye Ring	85 Series
PROSH85079	1-5/8 in.	8-7/8 in.	12-3/64 in.	Sleeve	85 Series
PROSH85300	1-5/8 in.	12-13/64 in.	18-1/64 in.	Eye Ring	85 Series
PROSH85320	1-5/8 in.	16-21/64 in.	26-9/64 in.	Eye Ring	85 Series
PROSH85321	1-5/8 in.	15-37/64 in.	25-3/8 in.	Sleeve	85 Series
PROSH85323	1-5/8 in.	11-9/16 in.	17-23/64 in.	Sleeve	85 Series
PROSH85724	1-5/8 in.	14-31/64 in.	22-25/32 in.	Sleeve	85 Series
PROSH85900	1-5/8 in.	11-9/64 in.	17-17/64 in.	Stud	85 Series
PROSH85918	1-5/8 in.	14-35/64 in.	22-31/32 in.	Sleeve	85 Series
PROSH85919	1-5/8 in.	14-15/64 in.	22-31/64 in.	Sleeve	85 Series
PROSH85933	1-5/8 in.	12-45/64 in.	18-15/64 in.	Sleeve	85 Series
PROSH85934	1-5/8 in.	11-63/64 in.	17-47/64 in.	Sleeve	85 Series
PROSH85064	1-5/8 in.	10-23/32 in.	16-1/64 in.	Eye Ring	85 Series
PROSH646155	1-3/16 in.	14-7/64 in.	22-29/64 in.	Eye Ring	



(Eye Ring)



(Stud)

Pro-Par

Shocks

808

800.621.7949

 = Key Items

www.AuroraParts.com

Accessories



Shock Absorber Guide

Signs of Wear

1. Excessive bounce on rough surfaces
2. Steering wheel vibrates
3. Uneven tire wear
4. Dented or damaged housing
5. Nose-driving when braking
6. Noticeable fluid leaks from shock or struts
7. Vehicle veers in crosswinds
8. Excessive lean or sway on turns

Stopping from 50 mph



Stopping from 70 mph



Shock Absorbers



SUS

Suspensions

Accessories

Shock Strap
HENC-24041-1

Hendrickson



Shock Strap
HENC-24041-3

Hendrickson



Bolt Kit
HENS-24021

Hendrickson



Bolt Kit
HENS-24049-2

Hendrickson



Upper Shock Bracket
HENS-2592

Hendrickson



Upper Shock Bracket
HENS-20023

Hendrickson



Lower Bracket
NEW905-20-543

SAF-Holland



Bushing
MNR45502

Tenneco



HENDRICKSON

SAF-Holland

Shock Absorbers

SUS

Shocks

810

800.621.7949

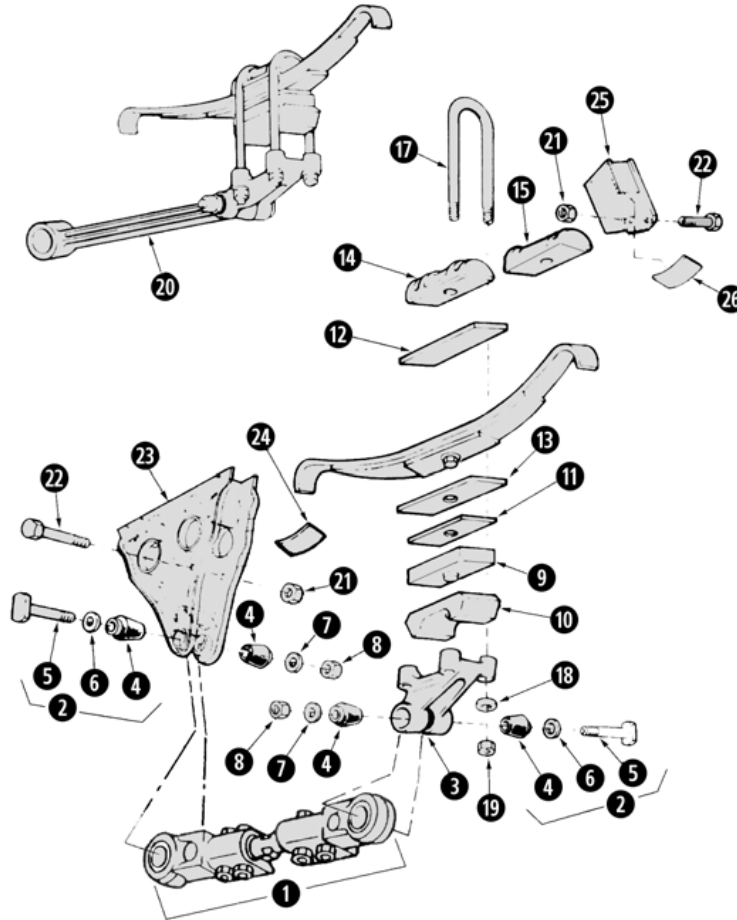
= Key Items

www.AuroraParts.com

Cross-reference parts are listed for reference only. © 2018 Aurora Parts & Accessories, LLC., All Rights Reserved

Fruehauf F-1: Wide Base Hangers

DISCONTINUED - For Reference Only



Item	Part Number	Description
1	FRUUCF2640-1	Adjustable Radius Rod
2	FRUUXA0011-900	Radius Rod Bushing Kit
3	FRUAXA0495-1	Axle Bracket
4	FRUUXA0011	Radius Rod Bushing
5	FRUUXA0016	Radius Rod Bolt
6	FRUUXA0356-1	Radius Rod Washer: 1-15/16 in.
7	FRUUXA0002	Radius Rod Washer: 1-1/16 in.
8	NUT-HNSST16	Hex Locknut: 1 in.-14
9	FRUUXA0048	Axle Spring Seat Spacer: 1-1/2 in.
10	AXA0512-1 ^	Spring Chair
11	FRUUCC4365-1	Lower 1/8 in. Thick Plate
12	STADL295 ^	Top Liner
13	STADL295 ^	Bottom Liner
14	AUTM470	Spring Saddle

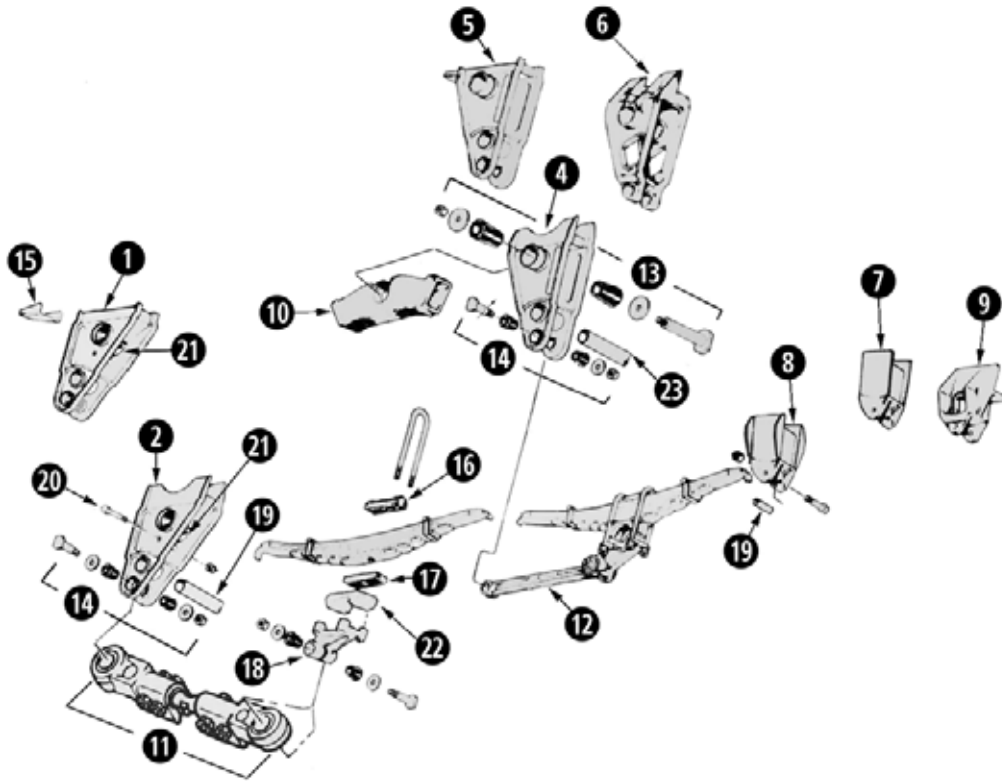
Item	Part Number	Description
15	FRUUCC5998-1	Spring Saddle
16	FRUUXA0046-915	U-Bolt Kit: 7/8 in. x 10 in.
	FRUUXA0046-917	U-Bolt Kit: 7/8 in. x 14-1/2 in.
	FRUUXA0046-901	U-Bolt Kit: 7/8 in. x 12-1/2 in.
	FRUUXA0046-918	U-Bolt Kit: 7/8 in. x 17 in.
17	HUT35-00	Washer: 7/8 in. Plain
18	NUT-HNS814	Hex Locknut: 7/8 in.-14
19	FRUUXA0026-1	Fixed Radius Rod
20	NUTHNSST10	Hex Locknut: 5/8 in.-18
21	BLT1-381A	Hex Head Bolt: 5/8 in.-18 x 5-1/4 in.
22	FRUUCF1466-1	Front Hanger
23	FRUUCE7740-1	Wear Plate
24	FRUUCE7745-1	Rear Hanger
25	FRUUCE7740-1	Wear Plate

^Part included for reference only.

Suspensions

Fruehauf F-2

Narrow Hangers



FRUEHAUF

Suspension Components

SUS

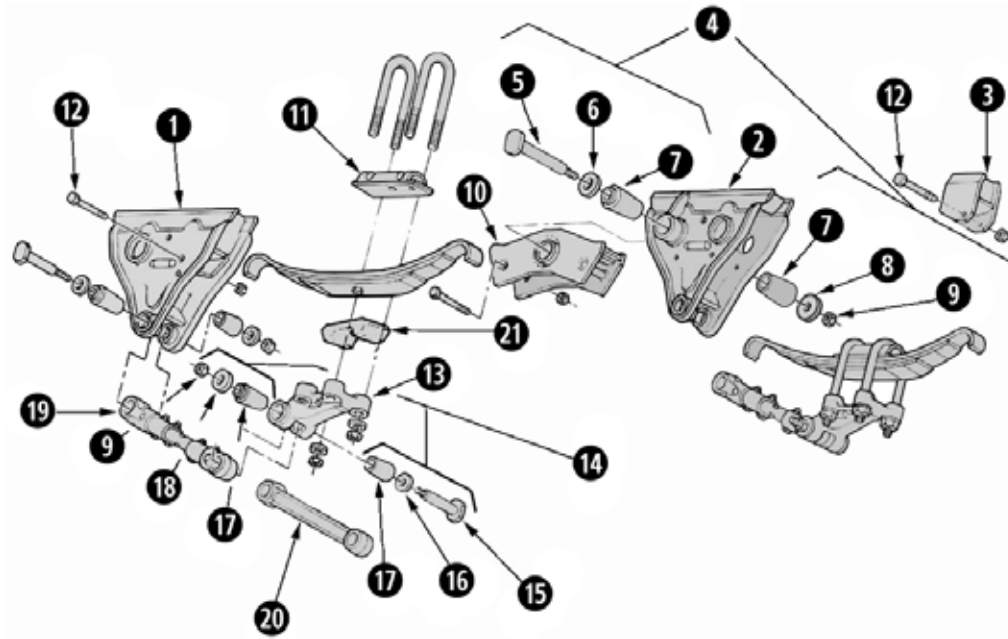
Item	Part Number	Description
1	FRUUCF2467-1	-
	FRUUCF2467-901	-
	FRUUCF2467-902	-
2	FRUUCF2473-1	Front Hanger Straddlemount
4	FRUUXA0021	Equalizer Hanger Straddlemount
5	FRUUXA0034-900	Equalizer Hanger
	FRUUXA0034	Equalizer Hanger Undermount
6	UXA0067[^]	Equalizer Hanger Cast LH
	UXA0067-1[^]	Equalizer Hanger Cast RH
7	FRUUCF2470-1	Rear Hanger Undermount
	FRUUCF2471-1	Rear Hanger Straddlemount
9	FRUUXA0065	Rear Hanger Cast LH
	FRUUXA0065-1	Rear Hanger Cast RH
10	FRUUCF6963-1	Ductile Equalizer
	FRUUXA0017	Cast Steel Equalizer

Item	Part Number	Description
11	FRUUCF2640-1	Adjustable Radius Rod
12	FRUUXA0026-1	Fixed Radius Rod
13	FRUUXA0004-901	Equalizer Bushing Kit
14	FRUUXA0011-900	Radius Rod Bushing Kit
15	FRUUXA0063	Hanger Reinforcement
16	FRUUCF5998-1	Spring Saddle
17	FRUUXA0048	Axle Spring Seat: 1-1/2 in.
18	FRUAXA0495-1	Axle Bracket
19	UCD9015-1[^]	Spacer
20	BLT1-381A	Hex Bolt: 5/8 in. - 18 x 5-1/4 in.
21	FRUUYC5921-1	Wear Plate
	FRUBCB8842-900	Wear Plate
22	AXA0512-1[^]	Spring Chair: 5 in. Square
23	FRUFCA0759-1	Cross Brace

[^]Part included for reference only.

Fruehauf F-2

Wide Base Hangers



Item	Part Number	Description
1	FRUUCF1466-1	Front Hanger
2	FRUUCE7746-1	Equalizer
3	FRUUCF5858-1	Rear Hanger
4	FRUUXA0004-901	Equalizer Bushing Kit
5	FRUUXA0015-2	Equalizer Bolt
6	FRUUXA0356-1	Washer
7	FRUUXA0004	Equalizer Bushing (2)
8	FRUUXA0003	Washer
9	NUT-HNSST16	Hex Locknut: 1 in.-14
10	FRUUCF6963-1	Ductile Equalizer
	FRUUXA0017	Cast Steel Equalizer
11	FRUCC5998-1	Spring Saddle
	AUTM470	

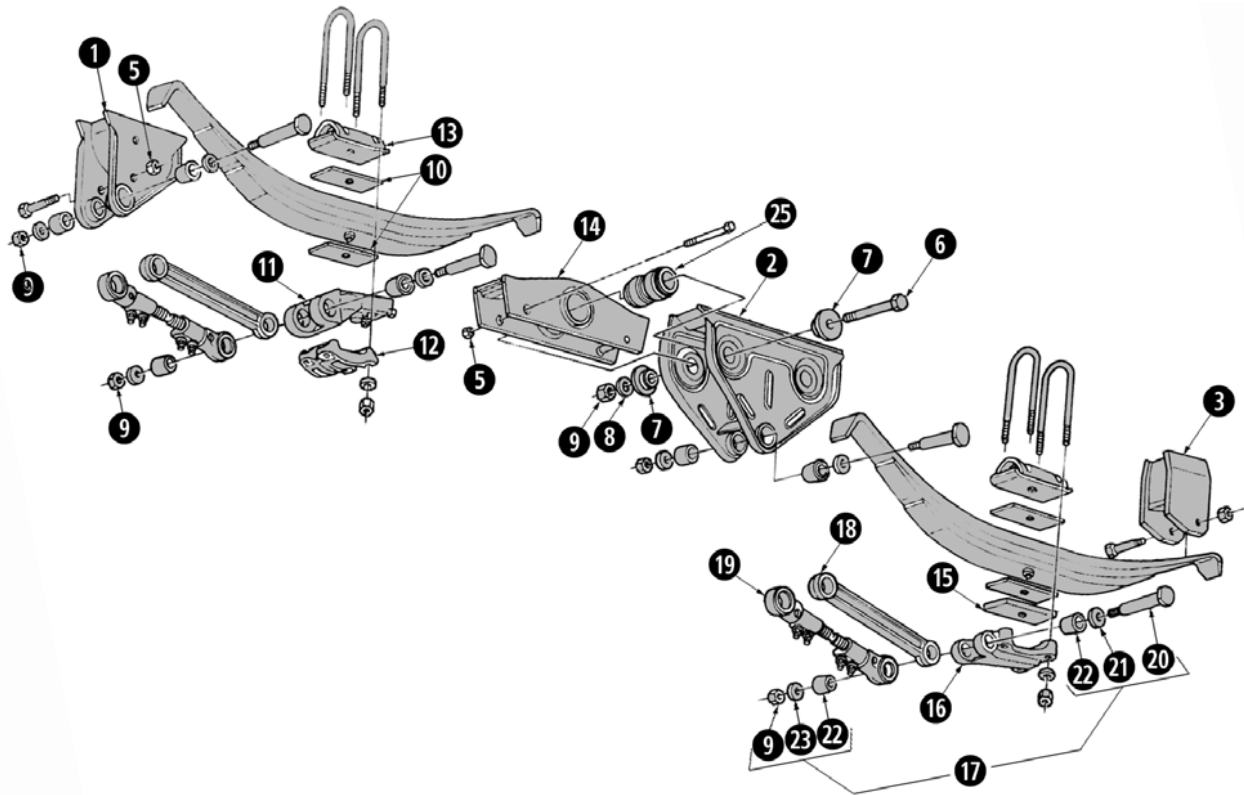
Item	Part Number	Description
12	BLT1-381A	Hex HD Bolt
13	FRUAXA0495-1	Axle Bracket
14	FRUUXA0011-900	Radius Rod Bushing Kit
15	FRUUXA0016	Radius Rod Bolt
16	FRUUXA0356-1	Radius Rod Washer: 1-15/16 in.
17	FRUUXA0011	Radius Rod Bushing (2)
18	FRUUXA0002	Radius Rod Washer: 1-1/16 in.
19	FRUUCF2640-1	Adjustable Radius Rod
20	FRUUXA0026-1	Fixed Radius Rod
21	AXA0512-1 [^]	Axle Spring Chair: 5 in. Square

[^]Part included for reference only.

Suspensions

Fruehauf NF-2

Wide Base Hangers



FRUEHAUF

Suspension Components

SUS

Item	Part Number	Description
1	FRUUCF6668-1	Front Hanger
2	FRUUCF6672-1	Equalizer Hanger
3	FRUUCF5858-2	Rear Hanger
5	NUT-HNSST10	Hex Locknut 5/8 in. - 18
6	BLT1-507	Bolt
7	FRUUCF6703-1	Bushing
8	WSH-WWS16	Washer
9	NUT-HNSST16	Hex Locknut 1 in. - 14
10	STADL295[^]	Spring Liner
11	FRUUCF6696-1	Front Chair
12	HUT7747-01	Axle Bracket
13	FRUUC5998-1 AUTM470	Spring Saddle U-Bolt Saddle

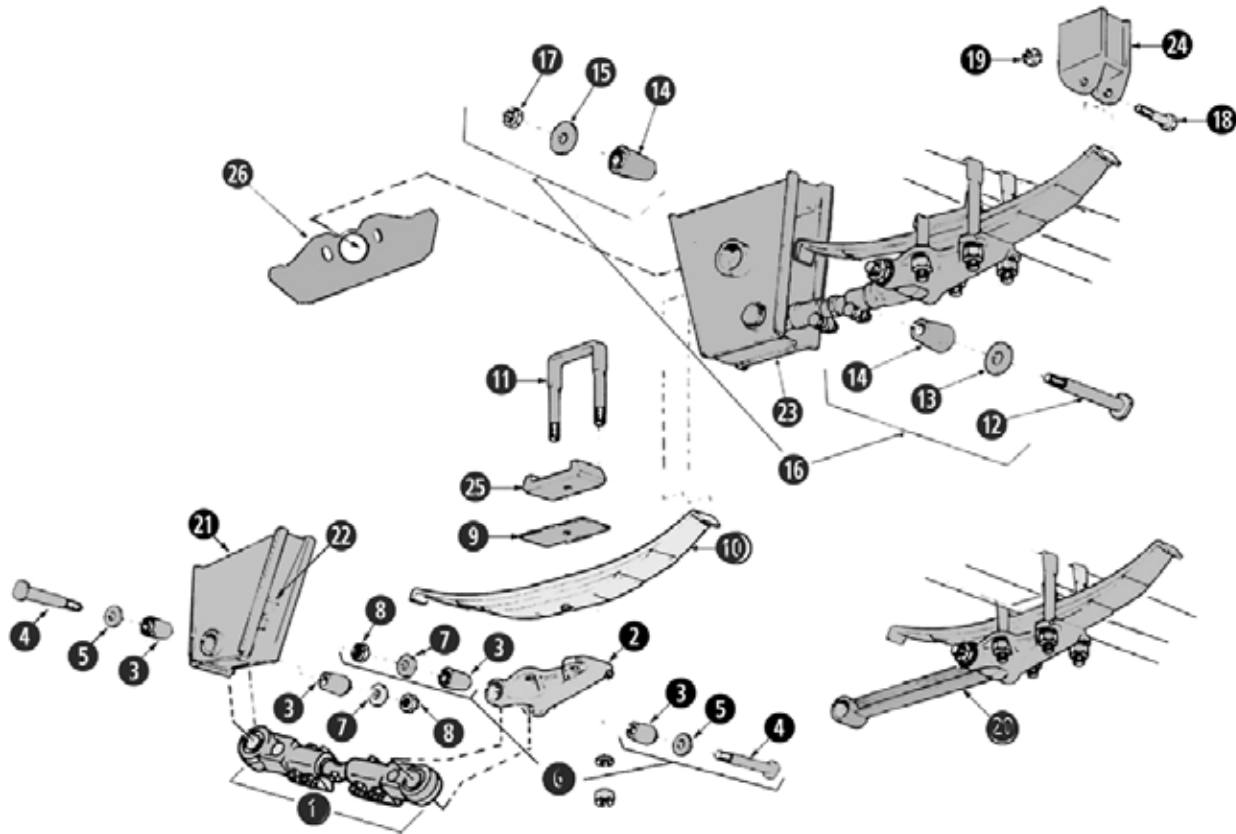
Item	Part Number	Description
14	FRUUCF8317-2	Equalizer Hardened
	AUTEQ039	Equalizer (UCF8317-1)
15	FRUUXA0048	Axle Spring 1-1/2 in. Thick
16	UCC4920-1[^]	Axle Bracket
17	FRUUXA0011-900	Radius Rod Bushing Kit
18	FRUUXA0026-1	Fixed Radius Rod
19	FRUUCF2640-1	Adjustable Radius Rod
20	FRUUXA0016	Radius Rod Bolt
21	FRUUXA0356-1	Radius Rod Washer
22	FRUUXA0011	Radius Rod Bushing
23	FRUUXA0002	Radius Rod Washer 1-1/16 in.
24	AXA0512-1[^]	Spring Chair
25	FRUUCF6699-1	Equalizer Bushing

Kit

Bushing Kit **FRUUCF6703-901**

[^]Part included for reference only.

Fruehauf J-2



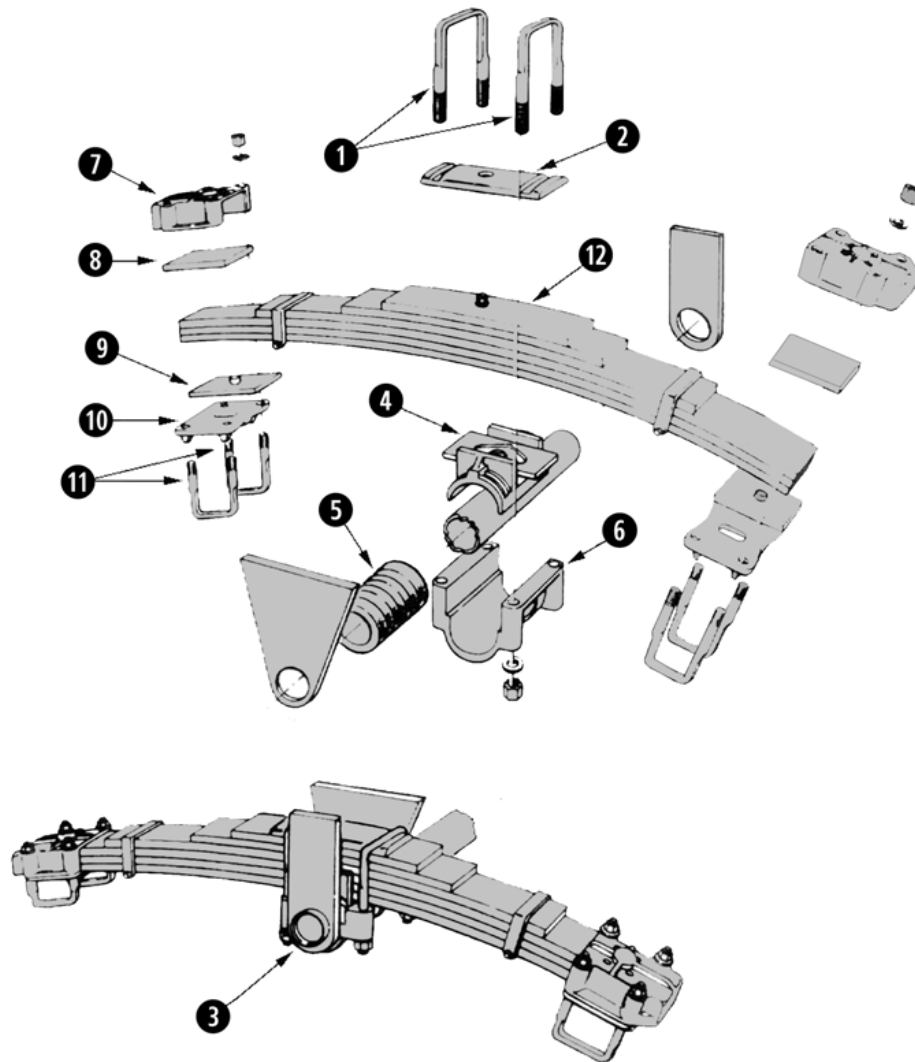
Item	Part Number	Description	Item	Part Number	Description
1	UCF2640-2[^]	Adjustable Radius Rod	13	FRUUXA0356-2	Washer
	FRUUCF2640-1	Adjustable Radius Rod	14	FRUUXA0004	Bushing
2	UXA0075-2[^]	Axle Bracket	15	FRUUXA0003	Washer
3	FRUUXA0011	Radius Rod Bushing	16	FRUUXA0004-901	Equalizer Bushing Kit
4	FRUUXA0016	Radius Rod Bolt	17	NUT-HNSST16	Nut: 1 in.-14
5	FRUUXA0356-1	Washer: 1-15/16 in.	18	BLT1-381A	Hex HD Bolt: 5/8 in.-18 x 5-1/4 in.
6	FRUUXA0011-900	Radius Rod Bushing	19	NUT-HNSST10	Hex Locknut: 5/8 in.-18
7	FRUUXA0002	Washer: 1-1/16 in.	20	FRUUXA0026-1	Fixed Radius Rod
8	NUT-HNSST16	Hex Locknut: 1 in.-14	21	FRUUCE4169-2	Front Hanger
9	STADL295	Spring Liner	22	UCC8922-1[^]	Wear Plate
10	FRUUCD0511-1	Standens #TRA693	23	FRUUCE4177-2	Equalizer
	PROSU-TRA699	4-Leaf Spring	24	FRUUCE7745-2	Rear Hanger
11	FRUBXE0460-900	U-Bolt Kit: 1 in. x 12-3/4 in.	25	AXA0512-1[^]	Spring Chair
12	FRUUXA0015-2	Equalizer Bolt	26	FRUUXA0017	Equalizer

[^]Part included for reference only.

Suspensions

Fruehauf M-2

Overlung Tandem | 6 & 7 Leaf Spring



FRUEHAUF

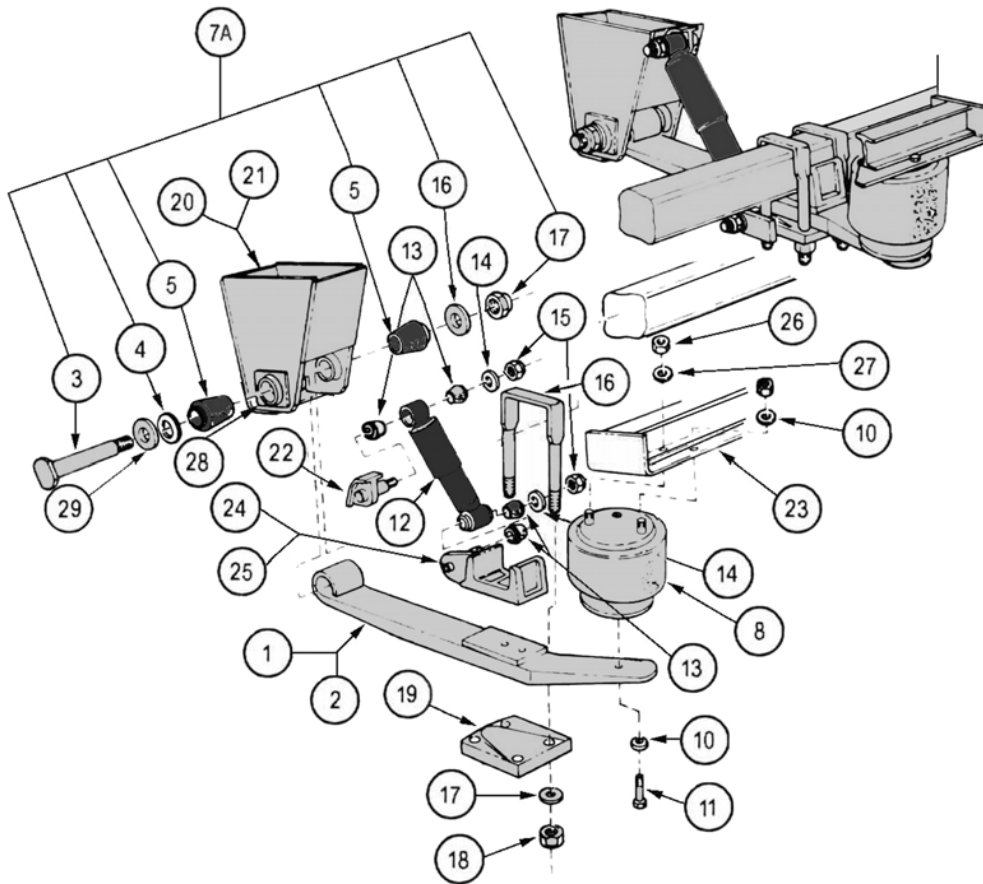
Suspension Components

SUS

Item	Part Number	Description	Item	Part Number	Description
1	FRUUCD5640-901	U-Bolt Kit for 6 Leaf Spring	6	FRUUCD5631-1	Lower Trunnion Casting
	FRUUCD8680-901	U-Bolt Kit for 7 Leaf Spring	7	FRUACD6849-1	Upper Axle Bracket
2	UCD5641-1 ^	U-Bolt Saddle	8	FRUUCD5635-1	Rubber Pad
3	Trunnion Assembly		9	FRUUCE1350-1	Plate Assembly
	FRUUCD5632-1	71-1/2 in. Track	10	ACD6850-1 ^	Axle Bracket
	UCD5632-2 ^	77-1/2 in. Track	11	FRUUCD5640-901	U-Bolt Kit
4	AUTM9622	Upper Trunnion Casting	12	FRUUCD5729-1	6 Leaf Spring
5	FRUUXA0160-SP1	Split Polyurethane Bushing		UCD8565-1 ^	7 Leaf Spring
	FRUUXA0160-SPX	Polyurethane Bushing			

^Part included for reference only.

Fruehauf T-Suspension



Item	Part Number	Description
1	PROSU-TRA020	Trailing Arm LH
2	PROSU-TRA081	Trailing Arm RH
3	FRUUXA0015-2	Equalizer Bolt
4	FRUUXA0356-2	Washer
5	FRUUXA0004	Bushing
6	FRUUXA0003	Washer
7	NUT-HNSST16	Hex Locknut: 1 in.-14
8	FIRW01-358-9394	Air Bag
9	3-150[^]	Lock Washer: 1/2 in.
10	BLT-GFU0871	Hex Bolt: 1/2 in.-13 x 7-1/4 in.
11	FRUUCE1295-901	Shock Absorber Kit
12	FRUUCA0187	Shock Mounting Bushing
13	HUT35-00	Hardened Washer: 7/8 in. Plain

Item	Part Number	Description
14	NUT-HNSST14	Hex Locknut: 7/8 in.-14
15	FRUBXE0460-900	U-Bolt Kit: 1 in. x 12-3/4 in.
16	2-4B[^]	U-Bolt Washer
17	7-5[^]	Hex Nut: 1 in. x 14
18	FRUUCE4461-1	Bottom Plate
19	FRUUCE1177-1	Hanger R/S
20	FRUUCE1177-2	Hanger C/S
21	FRUUCE1656-1	Shock Mounting Bracket
22	UCF0051-1[^]	Rear Mounting Assembly 36 in.
	UCF0051-2[^]	Rear Mounting Assembly 44 in.
23	FRUUCE1660-1	Axle Casting C/S
24	FRUUCE1660-2	Axle Casting R/S
25	4-30[^]	Hex Nut: 3/4 in.-16
26	UCE9461-1[^]	Lock Washer
27	FRUUCE1662-1	Boss Casting
28	UXA0003-2[^]	Radius Rod Washer

Kit

Equalizer Bushing Kit **FRUUXA0004-901**

[^]Part included for reference only.

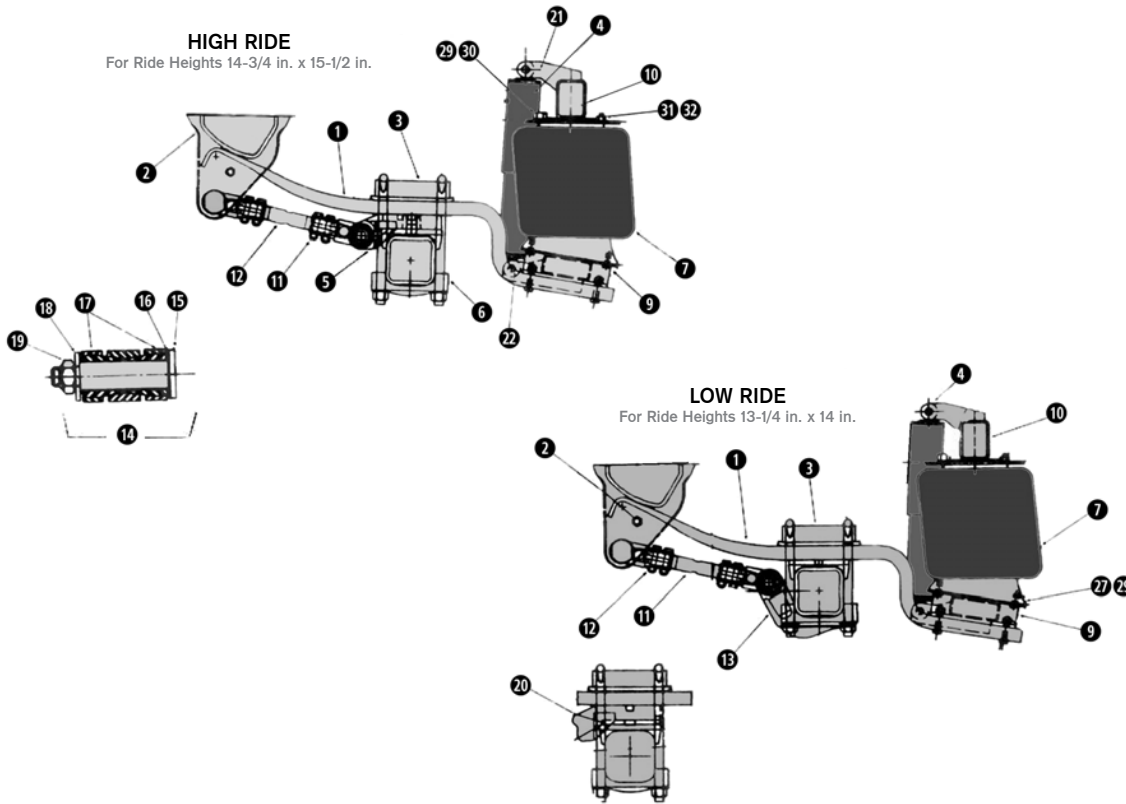
Suspension Components



SUS

Suspensions

Fruehauf NT-Suspension



Suspension Components

FRUEHAUF

SUS

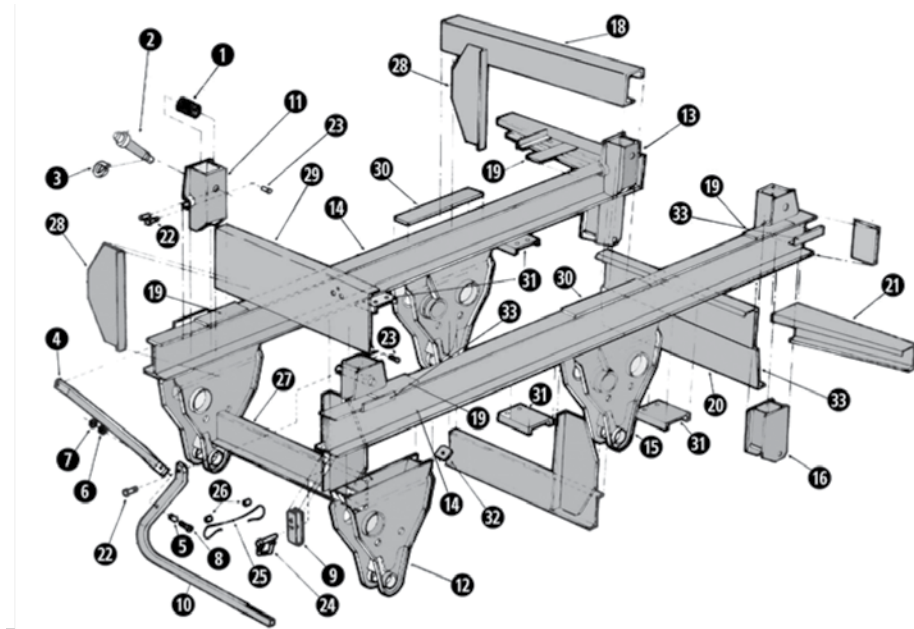
Item	Part Number	Description
1	PROSU-TRA086	Spring
2	FRUUCF6668-1	Front Hanger
3	UVA0056-1 ^	Saddle
	FRUUCE8801-1	U-Bolt Saddle
4	PROSH85321	Shock Absorber
5	FRUUCF6696-1	Front Chair
6	HUT7747-01	Axle Bracket
7	FIRW01-358-9394	Air Bag
8	FRUFCF8248-901	Stabilizer Rod (not shown)
9	Base Plate	
	FRUUVA0008-1	38 in. Spring Centers
	FRUUVA0008-2	44 in. Spring Centers
10	Mounting Top	
	UCF9172-1 ^	38 in. Spring Centers
	UCF9172-3 ^	44 in. Spring Centers
11	FRUUCF2640-1	Adjustable Radius Rod
12	FRUUXA0026-1	Fixed Radius Rod
13	UCF6702-1 ^	Axle Bracket

Item	Part Number	Description
14	FRUUXA0011-900	Radius Rod Bushing Kit
15	FRUUXA0016	Radius Rod Bolt
16	FRUUXA0356-1	Washer: 1-15/16 in. ID
17	FRUUXA0004	Bushing
18	FRUUXA0002	Washer: 1-1/16 in. ID
19	NUT-HNSST16	Hex Locknut: 1 in.-14
20	FRUUCF6972-3	Spacer Plate: 3/4 in.
21	FRUUVA0007-1	Upper Shock Bracket I-Beam
	FRUUVA0141-1	Upper Shock Bracket
22	FRUUVA0012-1	Lower Shock Bracket
23	3-150 ^	Lock Washer: 1/2 in.
24	1-281 ^	Air Bag Bolt
25	4-30 ^	Hex Nut: 3/4 in.-16
26	UCE9461-1 ^	Lock Washer: 3/4 in.
27	4-24 ^	Air Bag Nut: 1/2 in.
28	3-150 ^	Lock Washer: 1/2 in.

^Part included for reference only.

Fruehauf Van Sliding Subframe F-2

DISCONTINUED - For Reference Only



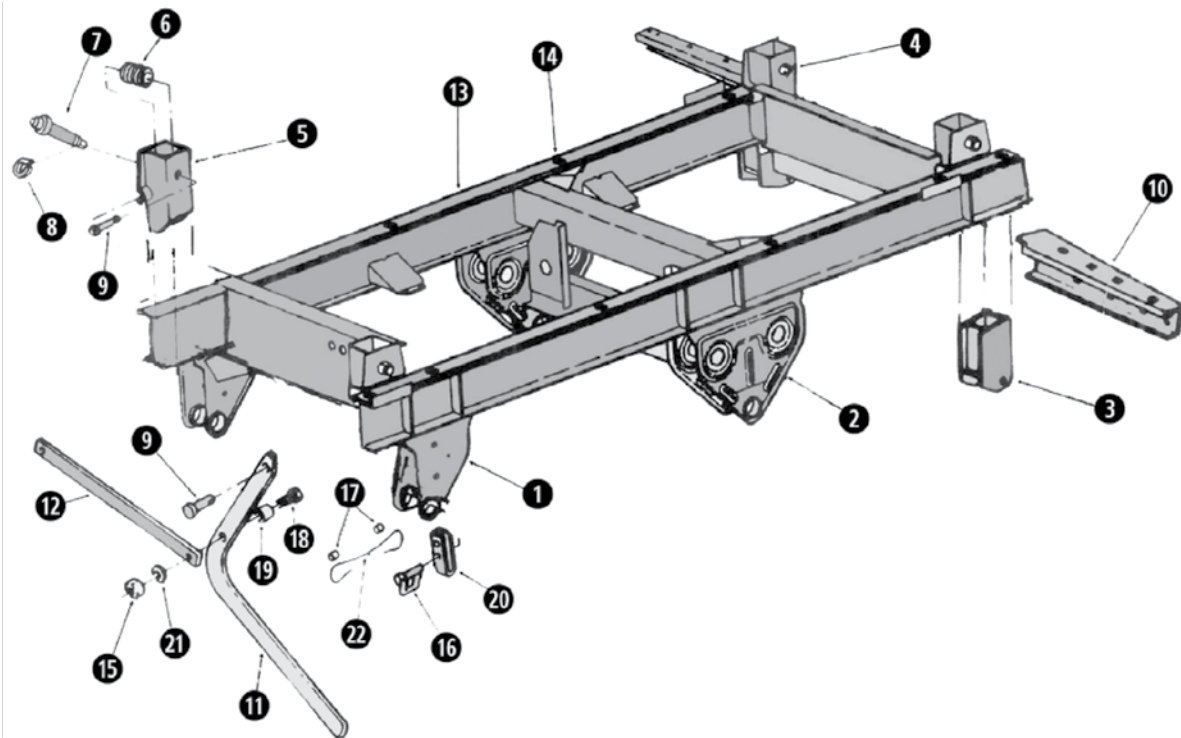
Item	Part Number	Description
1	586192[^]	Lock Pin Spring
2	FRUFCF6457-901	Lock Pin
3	FCF6458-1[^]	Retaining Ring
4	Crossbar	
	FRUFCF4327-2	44 in. Spring Centers
	FRUFCF4327-1	38 in. Spring Centers
5	FRUZCE7064-2	Sleeve
6	WSH2-135	Washer
7	NUT2-20	Hex Lock Nut 3/8 in.-16
8	BLT-GFU0613	Hex Head Bolt 3/8 in.-16 x 1-3/4 in.
9	FRUFCF4774-1	Locking Lever Guide
10	FRUFCE7769-1	Lever
11	FRUFCF6893-1	Front Bracket Assembly
12	FRUUCF1466-1	Front Hanger
13	FCF6893-2[^]	Rear Bracket Assembly
14	FXA0810-2[^]	Lower Subframe Rail
15	FRUUCE7746-1	Equalizer Hanger
16	FRUUCF5858-1	Rear Hanger
18	FCE7773-9[^]	Crossmember

Item	Part Number	Description
19	FRUFCE4790-2	Slider Plate
20	Crossmember	
	FCF2838-1[^]	38 in. Spring Centers
	FCF2838-2[^]	44 in. Spring Centers
21	FRUFCF6215-1	Splash Guard Bracket
22	FCD2530-1[^]	Lock Pin
23	PIN-CP2011	Cotter Pin
24	FRUUC6016-PK1	Lock Pin
25	FRUACD6608-1	Flexible Cable
26	FRUXCA0396	Sleeve
27	FRUFCE7764-5	Crossmember
28	FCE8755-1[^]	Gusset
29	FCE7774-2[^]	Crossmember
30	FRUFCF6097-1	Slider Pad
	FRUFCF6098-1	Slider Pad Retainer
31	FRUFCE6365-1	Air Tank Mounting Bracket
32	FCE9826-1[^]	Hanger Gusset
33	FCF6892-1[^]	Rail Guide

[^]Part included for reference only.

Suspensions

Fruehauf Van Sliding Subframe NF-2



FRUEHAUF

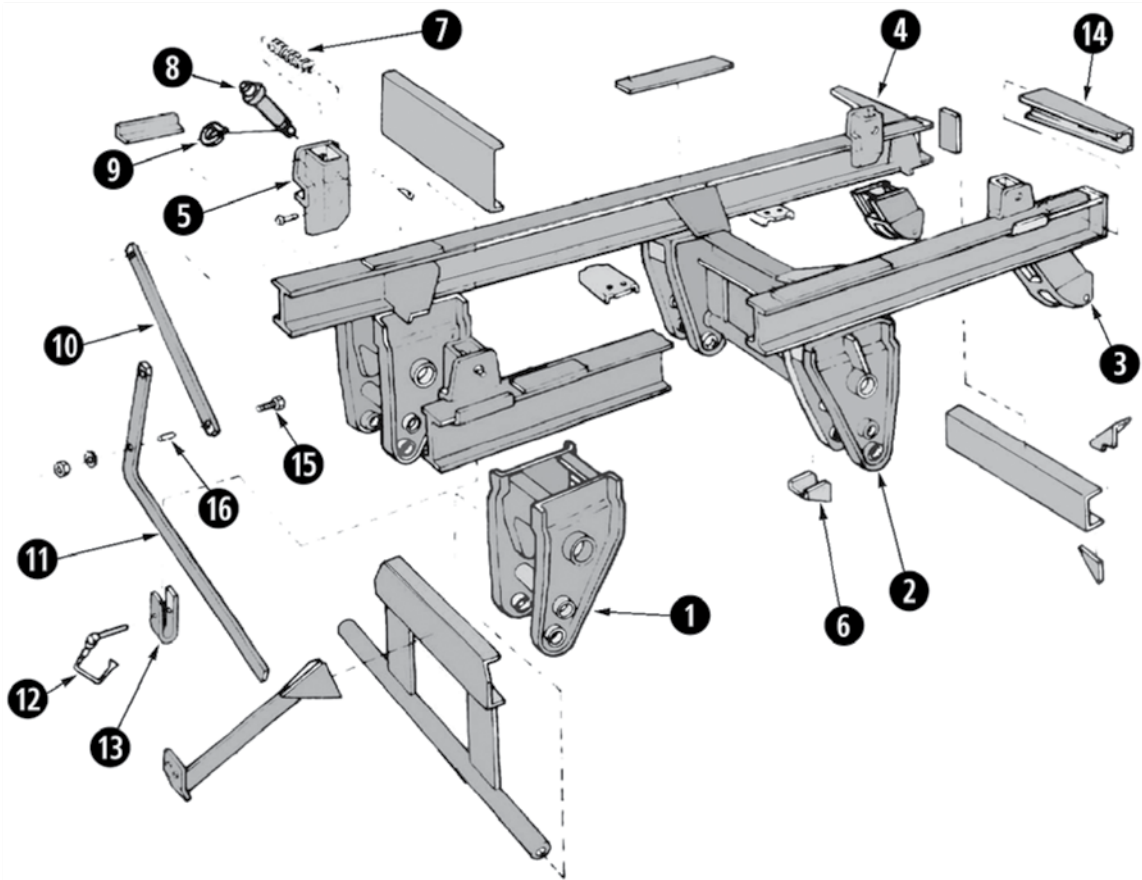
Suspension Components

SUS

Item	Part Number	Description	Item	Part Number	Description
1	FRUUCF6668-1	Front Hanger	13	FRUFCF6097-1	Slider Pad
2	FRUUCF6672-1	Equalizer Hanger	14	FRUFCF6098-1	Slider Pad Retainer
3	FRUUCF5858-2	Rear Hanger	15	NUT2-20	3/8 in. Nut
4	FCF6893-2[^]	Rear Bracket Assembly	16	FRUUC6016-PK1	Lock Pin
5	FRUFCF6893-1	Front Bracket Assembly	17	FRUXCA0396	Sleeve
6	586192[^]	Lock Pin Spring	18	BLT-GFU0613	Hex Head Bolt 3/8 in. - 16 x 1-3/4 in.
7	FRUFCF6457-901	Lock Pin	19	FRUZCE7064-2	Sleeve
8	FCF6458-1[^]	Retaining Ring	20	FRUFCF4774-1	Locking Lever Guide
9	FCD2530-1[^]	Lock Pin	21	WSH2-135	Washer
10	FCF6215-1[^]	Splash Guard Bracket	22	FRUACD6608-1	Flexible Cable
11	FRUFCF4746-1	Handle			
12	Crossbar				
	FRUFCF4327-1	38 in. Spring Centers			
	FRUFCF4327-1	44 in. Spring Centers			

[^]Part included for reference only.

Fruehauf Old Style Van Sliding Subframe F-2



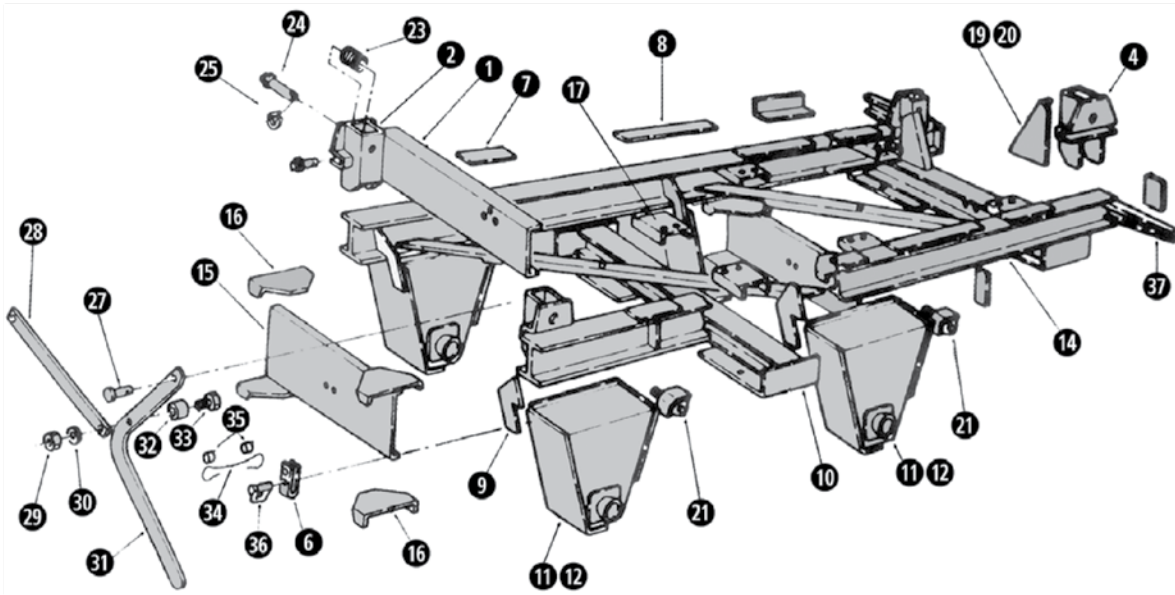
Item	Part Number	Description
1	Front Hanger	
	UCF2467-S[^]	Standard
	FRUUCF2467-901	Curbside w/ Reinforcement
	FRUUCF2467-902	Roadside w/ Reinforcement
2	FRUUXA0034	Equalizer Hanger
3	UCF2470-1[^]	Rear Hanger
4	FCF6893-2[^]	Rear Bracket Assembly
5	FRUF6893-1	Front Bracket Assembly
6	FRUUXA0063	Hanger Reinforcement
7	586192[^]	Lock Pin Kit

Item	Part Number	Description
8	FRUF6457-901	Lock Pin
9	FCF6458-1[^]	Retaining Ring
10	FRUFXA0798-1	Crossbar
11	FXA0792-1[^]	Handle
12	FRUCC6016-PK1	Lock Pin
13	FRUF64774-1	Locking Lever Guide
14	FRUF6215-1	Splash Guard Bracket
15	1-20[^]	Bolt
16	FRUZCE7064-2	Sleeve

[^]Part included for reference only.

Suspensions

Fruehauf Van Sliding Subframe T-2

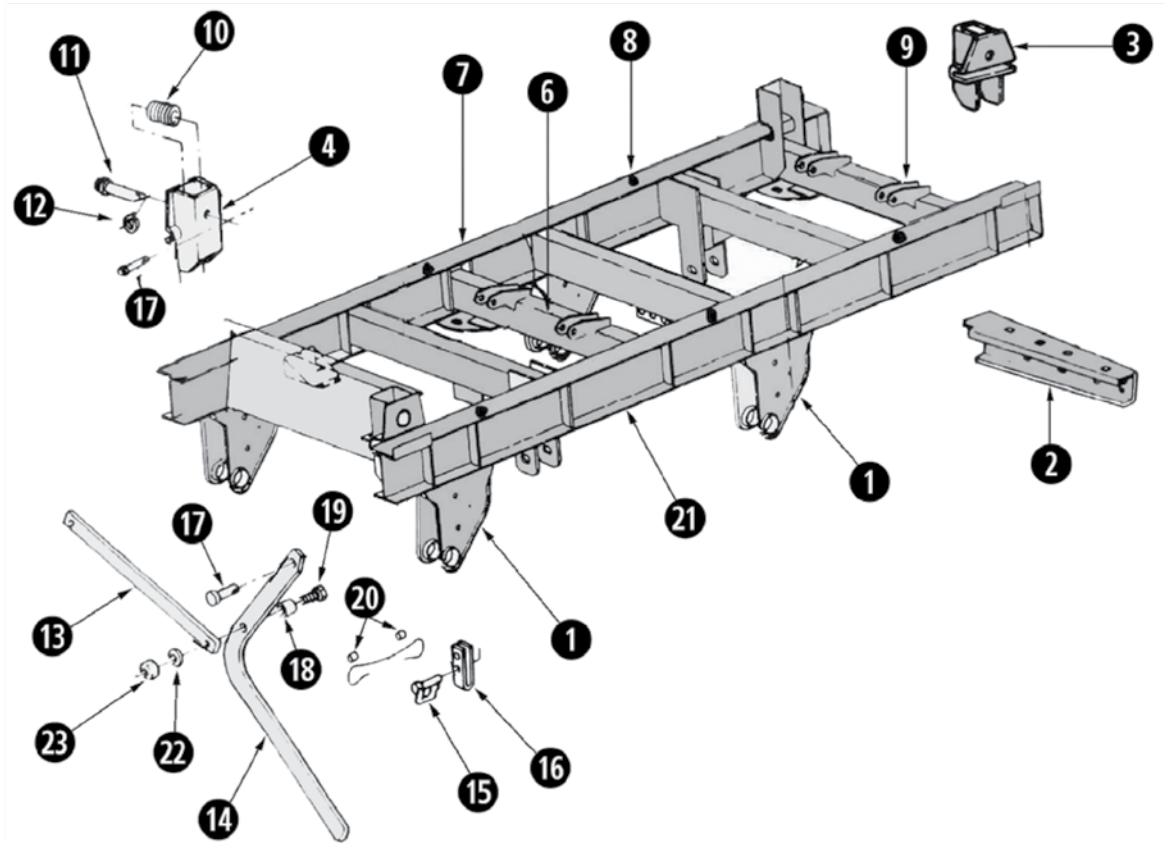


FRUEHAUF
 Suspension Components
SUS

Item	Part Number	Description	Item	Part Number	Description
1	FCE7774-2[^]	Crossmember	20	FCE1889-2[^]	Gusset Curbside
2	FRUFCF6893-1	Front Bracket Assembly	21	FRUUCE1656-1	Shock Mounting Bracket
4	FCF6893-2[^]	Rear Bracket Assembly	23	586192[^]	Lock Pin Spring
6	FRUFCF4774-1	Locking Lever Guide	24	FRUFCF6457-901	Lock Pin
7	FRUFCF6097-1	Slider Pad	25	FCF6458-1[^]	Retaining Ring
	FRUFCF6098-1	Slider Pad Retainer	27	FCD2530-1[^]	Lock Pin
8	FRUFCE4790-2	Slider Plate	28	FRUFCF4327-1	Crossbar
9	FCE1825-2[^]	Gusset	29	NUT2-20	Hex Lock Nut 3/8 in. - 16
10	UCF0051-1[^]	Rear Mounting	30	HUT35-00	Washer
11	FRUUCE1177-1	Hanger Assembly Roadside	31	FRUFCF4746-1	Handle
12	FRUUCE1177-2	Hanger Assembly Curbside	32	FRUZCE7064-2	Sleeve
14	FXA0810-2[^]	Lower Subframe Rail	33	BLT-GFU0613	Hex Head Bolt 3/8 in. - 16 x 1-3/4 in.
15	UCE1210-1[^]	Crossmember	34	FRUACD6608-1	Flexible Cable
16	UCE1220-1[^]	Gusset	35	FRUXCA0396	Sleeve
17	FRUFCE6365-1	Air Tank Mounting Bracket	36	FRUCC6016-PK1	Lock Pin
19	FCE1889-1[^]	Gusset Roadside	37	FRUFCF6215-1	Splash Guard Bracket

[^]Part included for reference only.

Fruehauf Van Sliding Subframe NT-2



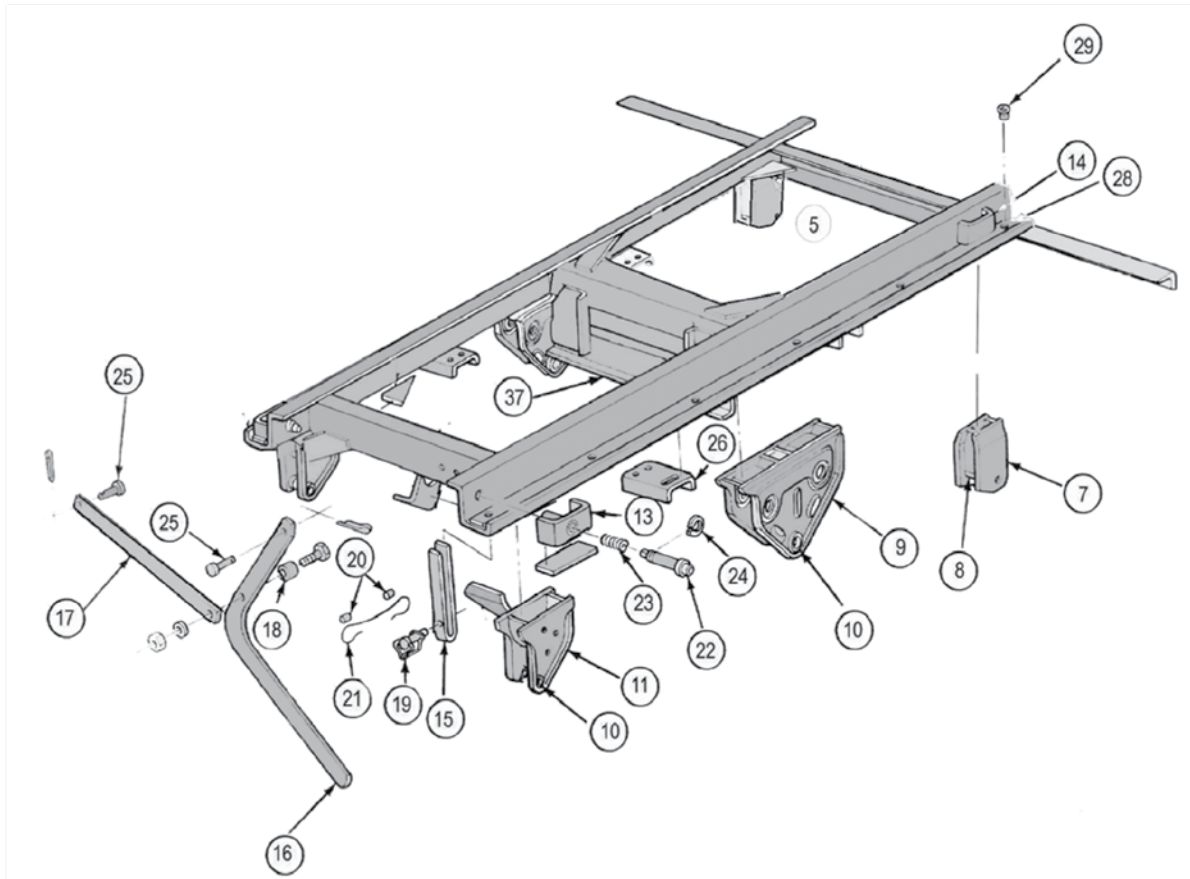
Item	Part Number	Description
1	FRUUCF6668-1	Front Hanger
2	FRUFCF6215-1	Splash Guard Bracket
3	FCF6893-2[^]	Rear Bracket Assembly
4	FRUFCF6893-1	Front Bracket Assembly
6	Mounting Assembly	
	UCF9172-1[^]	96 in.
	UCF9172-3[^]	102 in.
7	FRUFCF6097-1	Slider Pad
8	FRUFCF6098-1	Slider Pad Retainer
9	FRUUVA0141-1	Upper Shock Bracket
10	586192[^]	Lock Pin Spring
11	FRUFCF6457-901	Lock Pin
12	FCF6458-1[^]	Retainer Ring

Item	Part Number	Description
13	Crossbar	
	FRUFCF4327-2	96 in.
	FRUFCF4327-1	102 in.
14	FRUFCF4746-1	Handle
15	FRUCC6016-PK1	Lock Pin
16	FRUFCF4774-1	Locking Lever Guide
17	FCD2530-1[^]	Lock Pin
18	FRUZCE7064-2	Sleeve
19	BLT-GFU0613	Bolt
20	FRUXCA0396	Sleeve
21	FXA0810-2[^]	Lower Subframe Rail
22	HUT35-00	Washer
23	NUT2-20	Hex Loc Nut 3/8 in. - 16

[^]Part included for reference only.

Suspensions

Fruehauf Platform Sliding Subframe NF-2



FRUEHAUF

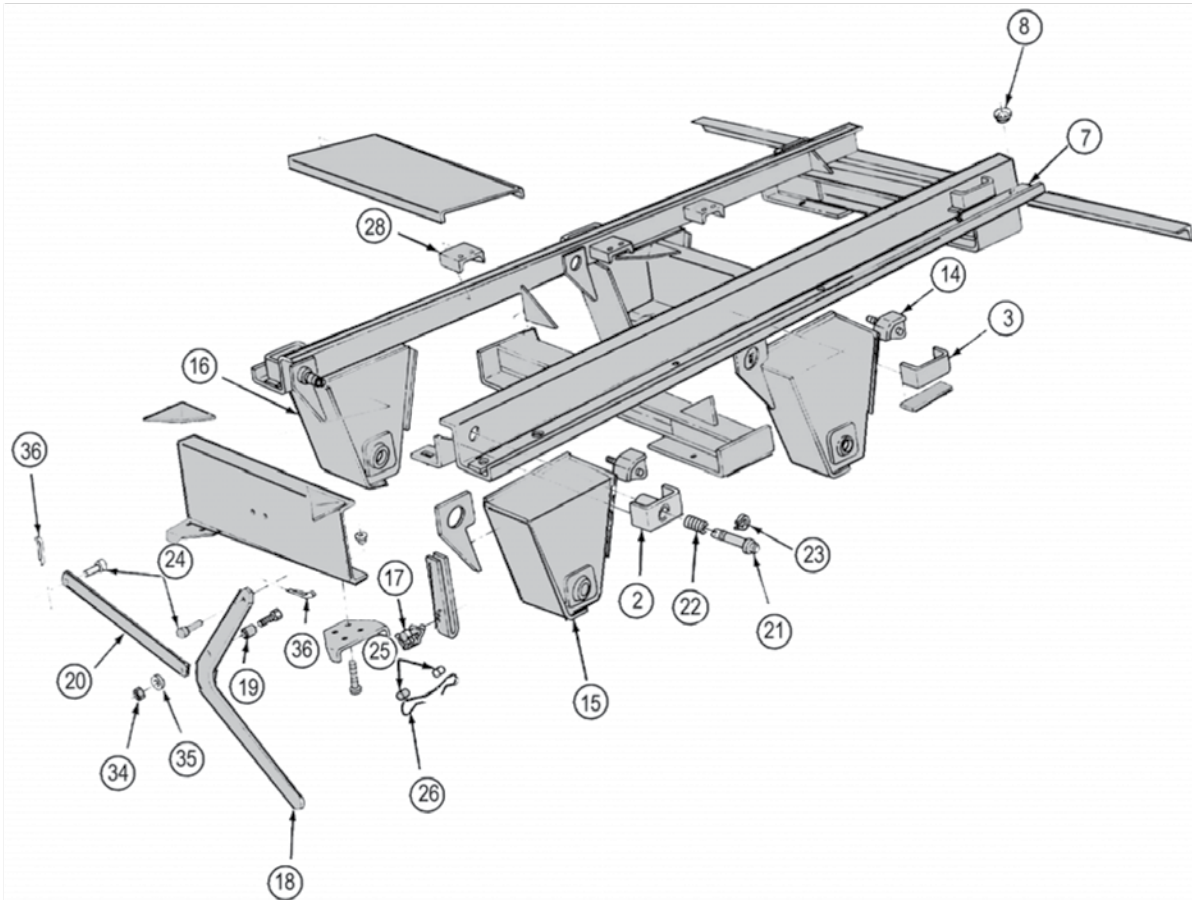
Suspension Components

SUS

Item	Part Number	Description	Item	Part Number	Description
7	FRUUCF5858-2	Rear Hanger	18	FRUZCE7064-2	Sleeve
8	FRUUCE7740-1	Wear Plate	19	FRUUC6016-PK1	Lock Pin
9	FRUUCF6672-1	Equalizer Hanger	20	FRUXCA0396	Sleeve
10	UXA0010[^]	Hanger Boss	21	FRUACD6608-1	Flexible Cable
11	FRUUCF6668-1	Front Hanger	22	FRUFCE6457-901	Lock Pin
13	FRUFCE6192-1	Pin Bracket Assembly	23	586192[^]	Lock Pin Spring
14	FCF6199-1[^]	Guide Bracket Assembly	24	FCF6458-1[^]	Retaining Ring
15	FRUFCE4774-1	Locking Lever Guide	25	FCD2530-1[^]	Lock Pin
16	FRUFCE4746-1	Handle	26	FRUFCE6365-1	Air Tank Mounting Bracket
17	Crossbar		28	FRUFCE6097-1	Slider Pad
	FRUFCE4327-1	96 in.	29	FRUFCE6098-1	Slider Pad Retainer
	FRUFCE4327-2	102 in.			

[^]Part included for reference only.

Fruehauf Platform Sliding Subframe T-2



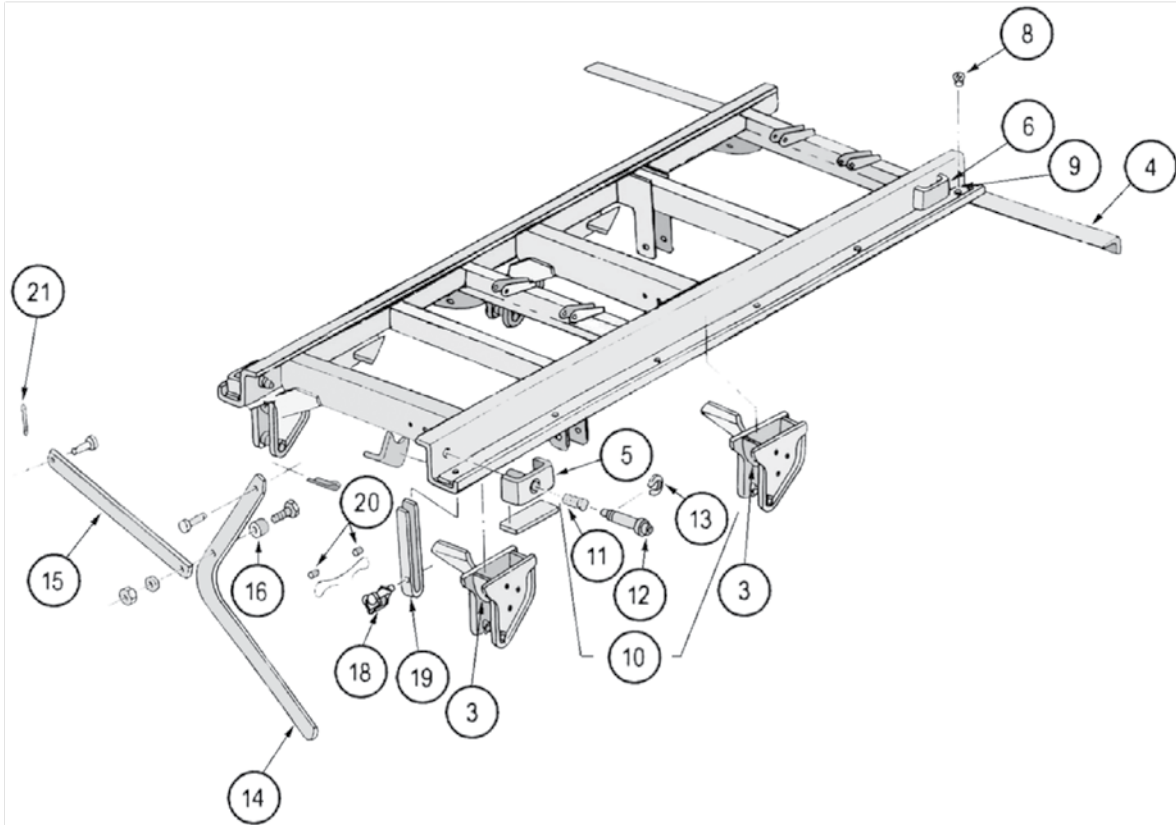
Item	Part Number	Description
2	FRUFCF6192-1	Pin Bracket Assembly
3	FCF6199-1 ^	Guide Bracket Assembly
7	FRUFCF6097-1	Slider Pad
8	FRUFCF6098-1	Slider Pad Retainer
14	FRUUCE1656-1	Shock Mounting Bracket
15	FRUUCE1177-1	Hanger Assembly
16	FRUUCE1177-2	Hanger Assembly
17	FRUCC6016-PK1	Lock Pin
18	FRUFCF4746-1	Handle
19	FRUZCE7064-2	Sleeve
20	Crossbar	
	FRUFCF4327-1	96 in.
	FRUFCF4327-2	102 in.

Item	Part Number	Description
21	FCF6457-1 ^	Lock Pin
22	FRU586192 ^	Lock Pin Spring
23	FCF6458-1 ^	Retaining Ring
24	FCD2530-1 ^	Lock Pin
25	FRUXCA0396	Sleeve
26	FRUACD6608-1	Flexible Cable
28	FRUFCE6365-1	Air Tank Mounting Bracket
34	NUT2-20	Hex Lock Nut
35	WSH-WWU06	Washer
36	PIN-CP2011	Cotter Pin

^Part included for reference only.

Suspensions

Fruehauf Sliding Subframe NT-2



FRUEHAUF

Suspension Components

SUS

Item	Part Number	Description	Item	Part Number	Description
3	FRUUCF6668-1	Front Hanger	12	FRUFCF6457-901	Lock Pin
4	FRUFCF6215-1	Splash Guard Bracket	13	FCF6458-1 ^	Retaining Ring
5	FRUFFG7414-1	Pin Bracket Assembly	14	FRUFCF4746-1	Handle
6	FCF6199-1 ^	Guide Bracket Assembly	15	Crossbar	
7	FRUFCF6097-1	Slider Pad		FRUFCF4327-1	96 in.
8	FRUFCF6098-1	Slider Pad Retainer		FRUFCF4327-2	102 in.
9	Mounting Assembly		16	FRUZCE7064-2	Sleeve
	UCF9172-3 ^	Mounting Assembly Wide	18	FRUCC6016-PK1	Lock Pin
	UCF9172-1 ^	Mounting Assembly Narrow	19	FRUFCF4774-1	Locking Lever Guide
10	FRUFCF6457-901	Slider Pin Kit	20	FRUXCA0396	Sleeve
11	586192 ^	Lock Pin Spring	21	PIN-CP2011	Cotter Pin

^Part included for reference only.

Fruehauf Components

Equalizer Bushing
FRUUCF6703-1



NF2 Suspension

Equalizer Bushing
FRUUXA0004



Multiple Suspensions

Equalizer Bushing Kit

Kit	Washer	Equalizer Bushing	Equalizer Bolt	Washer	Hex Lock Nut
FRUUXA0004-901	FRUUXA0003	FRUUXA0004	FRUUXA0015-2	FRUUXA0356-2	NUT2-5



Equalizer Bushing Kit
FRUUCF6703-901



Trunnion Bushing
FRUUXA0160-SPX



Material: Poly
For: M2 Suspension

Equalizer
FRUUXA0017



Cast - Multiple Suspensions

Equalizer
AUTEQ039

Cross Ref# UCF8317-1



NF2
Includes: Bushing

Suspension Components



SUS

Suspensions

Fruehauf Components

Hanger

	Type
FRUUCF1466-1	Front
FRUUCE7746-1	Center
FRUUCF5858-1	Rear

F2 Suspension, Wolf Head, Wide Base



(FRUUCF1466-1)



(FRUUCE7746-1)



(FRUUCF5858-1)

Hanger

	Type
FRUUCF6668-1	Front
FRUUCF6672-1	Center
FRUUCF5858-2	Rear

NF2 Suspension



(FRUUCF6668-1)



(FRUUCF6672-1)



(FRUUCF5858-2)

Hanger

	Type	Location
FRUUCE1177-1	Front	Roadside
FRUUCE1177-2	Front	Curbside

T1 Suspension



(FRUUCE1177-1)

Hanger Reinforcement FRUUXA0063



For: F2 Suspension

Axle Bracket FRUAXA0495-1



Material: Cast Steel

Axle Spacer FRUUXA0048



Size: 1-1/2 in.

Base Plate Assembly FRUUVA0008-2



44 Spring Center

FRUEHAUF

Suspension Components

SUS

Fruehauf Components

Bushing Arm Kit

Kit	Washer	Equalizer Bushing	Equalizer Bolt	Washer	Hex Lock Nut
FRUUXA001 1-900	FRUUXA0002	FRUUXA0011	FRUUXA0016	FRUUXA0356-2	NUT2-5



Stabilizer Arm

	Length
FRUF8248-4	32-1/2 in.
FRUF8248-6	35-1/2 in.
FRUF8248-901	Universal Over 30 in.
FRUF8248-902	Universal Under 30 in.
Accessories	
BLT-GES1450	Bolt: 5 in.
BLT-GES1460	Bolt: 6 in.
NUT5-32A	Nut



Torque Arm FRUUXA0026-1



Size: 15-1/2 in.
Type: Non-Adjustable

Torque Arm FRUUCF2640-1



Size: 14-11/16 in. to 16-7/16 in.
Type: Adjustable

Collar FRUUCE1662-1



Boss Casting T-Suspension

Wear Plate FRUUCE7740-1



F1 & NF-2 Suspensions

Suspension Components



SUS

Suspensions

Fruehauf Components

Wear Plate
FRUBCB8842-900



Center Hanger
F2 Suspension

Wear Plate
FRUUYC5921-1



F2 Suspension

Spring Seat
FRUUCF6696-1



Front Chair - NF2 Suspension

Spring Seat
FRUUCF2603-1



FL1-Suspension

Lock Pin
FRUUC6016-PK1



Lock Pin Spring
FRUFCA5556



Lock Pin Kit
FRUF6457-901



Multiple Suspension

Drawbar Bracket
HOLXD5275

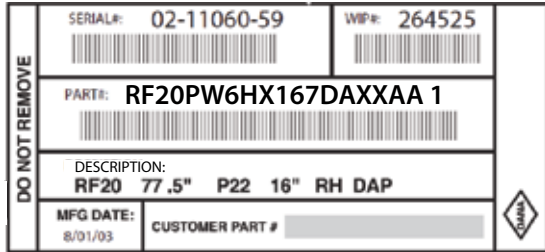


FRUEHAUF
 Suspension Components

SUS

Hendrickson Identification Tag

Hendrickson - Dana



DO NOT REMOVE

RF20PW6HX167DAXXAA1

MODEL	
RF	Fixed
RS	Sliding

SPINDLE	
D	D22
P	P22
S	P22

TRACK	
N	71-1/2 in.
W	77-1/2 in.
S	Special

RIDE HEIGHT	
4	14 in.
5	15 in.
6	16 in.
7	17 in.
8	18 in.
9	19 in.

BRAKE SPIDER

BRAKE SHOE	
167	16-1/2 x 7 Truck
168	16-1/2 x 8 Truck
267	16-1/2 x 7 Trailer
268	16-1/2 x 8 Trailer
XXX	None

WHEEL END MATERIAL	
A	Standard Iron
B	Standard Aluminum
X	None
Z	Other

SLIDER RAIL	
B	Binkley Rail
H	Hutch Rail
T	TTMA Rail

SEQUENCE NUMBER

SLACK ADJUSTER	
A	Spicer
B	Brunner
C	Gunite
X	None

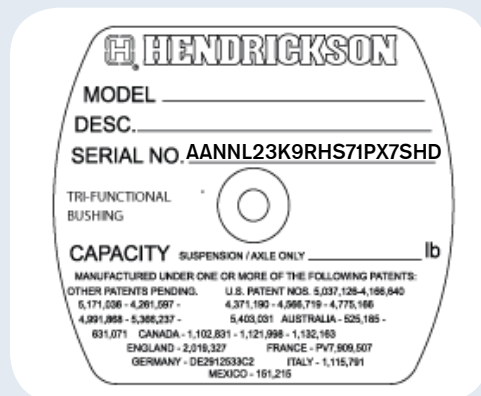
ABS, TIRE INFLATION	
A	2S1M, No TIMS
B	4S2M, No TIMS
C/D	Sensors Only, No TIMS
E	2S1M, TIMS
F	4S1M, TIMS
X	No ABS, No TIMS

AIR SYSTEM	
A	Fully Installed
B	Tank Brackets Only
X	None
Z	Other

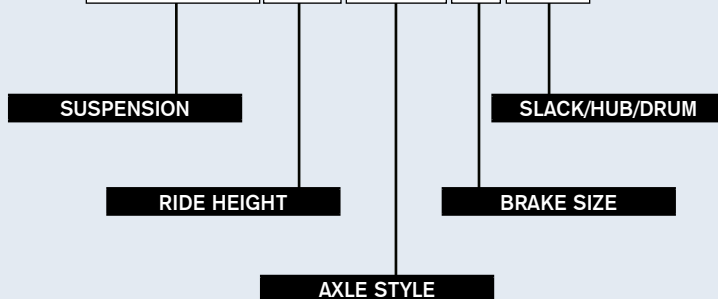
BRAKE CHAMBER	
A	30/30 Standard
B	30/30 Long
X	Nont
Z	Other

DHS, HCV DUMP	
A	DHS, HCV
C	DHS, HCV, Manual Dump
E	DHS, HCV, Auto Dump
G	HCV, Manual Dump
I	HCV, Auto Dump
K	HCV
Z	Other

Hendrickson



AANL23K9RH S71P X7 SHD



Suspension Components

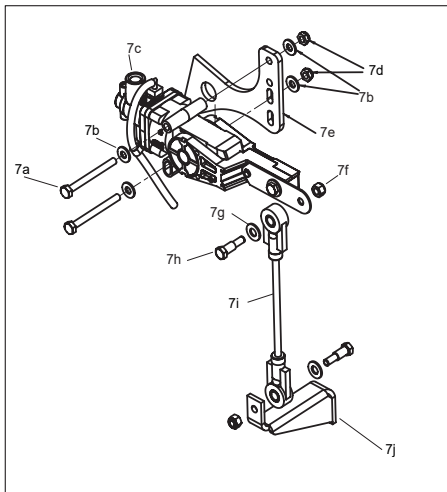
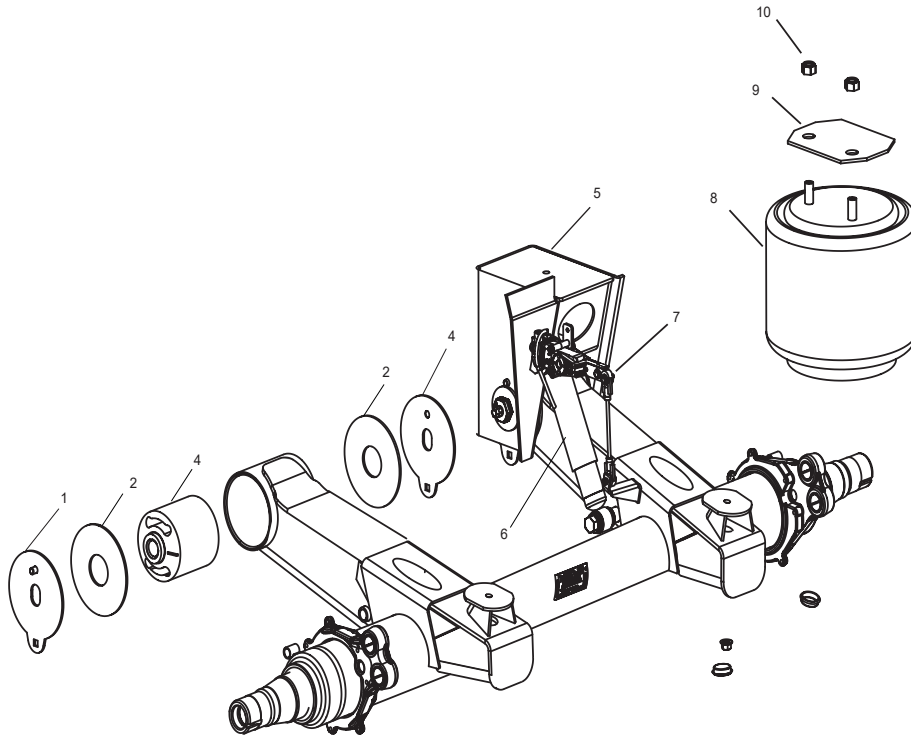
HENDRICKSON

SUS

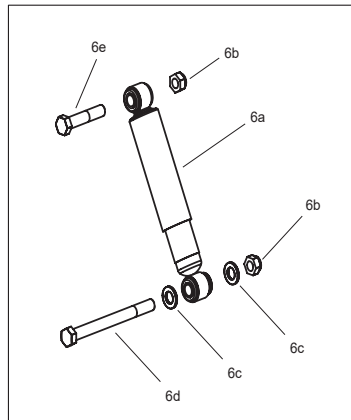
Suspensions

Hendrickson - Dana RF Fixed

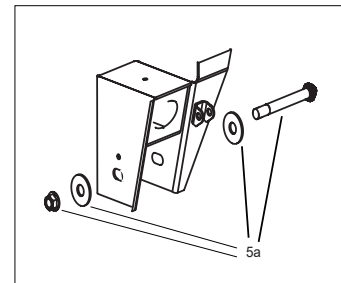
DISCONTINUED - For Reference Only



RIDE HEIGHT CONTROL



SHOCK ASSEMBLY



HANGER ASSEMBLY

HENDRICKSON

Suspension Components

SUS

Hendrickson - Dana RF Fixed

Components

Item	Part Number	Description
1	DANSR1HS100	Alignment Washer
2	HENS-21099	Suspension Bushing Spacer
4	HENS-29886	Pivot Bushing Kit
5	Hanger Bracket	Location: Ride Height
	SR1CK510-1[^]	Left Hand: 14 in.-15 in., Weld-On
	HENS-SR1CK511-1	Right Hand: 14 in.-15 in., Weld-On
	SR1CK518-1[^]	Right Hand: Winged
	DANSR1CK510-2	Left Hand: 16 in.-17 in., Weld-On
	DANSR1CK511-2	Right Hand: 16 in.-17 in., Weld-On
	SR1CK518-2[^]	Right Hand: Winged
	SR1CK510-3[^]	Left Hand: 18 in.-19 in., Weld-On
	SR1CK511-3[^]	Right Hand: 18 in.-19 in., Weld-On
	SR1CK518-3[^]	Right Hand: Winged
	SR1CK514-1[^]	Left Hand: 14 in.-15 in., Bolt-On, 1
	SR1CK515-1[^]	Right Hand: 14 in.-15 in., Bolt-On, 1
	SR1CK514-2[^]	Left Hand: 16 in.-17 in., Bolt-On, 1
	SR1CK515-2[^]	Right Hand: 16 in.-17 in., Bolt-On, 1
	SR1CK514-3[^]	Left Hand: 18 in.-19 in., Bolt-On, 1
	SR1CK515-3[^]	Right Hand: 18 in.-19 in., Bolt-On, 1
	SR1CK522-1[^]	Left Hand: 14 in.-15 in., Bolt-On, 2
	SR1CK523-1[^]	Right Hand: 14 in.-15 in., Bolt-On, 2
	SR1CK522-2[^]	Left Hand: 16 in.-17 in., Bolt-On, 2
	SR1CK523-2[^]	Right Hand: 16 in.-17 in., Bolt-On, 2
	SR1CK522-3[^]	Left Hand: 18 in.-19 in., Bolt-On, 2
	SR1CK523-3[^]	Right Hand: 18 in.-19 in., Bolt-On, 2
	SR1CK524-1[^]	Left Hand: 14 in.-15 in., Bolt-On, 0
	SR1CK525-1[^]	Right Hand: 14 in.-15 in., Bolt-On, 0
	SR1CK524-2[^]	Left Hand: 16 in.-17 in., Bolt-On, 0
	SR1CK525-2[^]	Right Hand: 16 in.-17 in., Bolt-On, 0
	SR1CK524-3[^]	Left Hand: 18 in.-19 in., Bolt-On, 0
	SR1CK525-3[^]	Right Hand: 18 in.-19 in., Bolt-On, 0
	SR1CK530-1[^]	Left Hand: 14 in.-15 in., Bolt-On, 3
	SR1CK531-1[^]	Right Hand: 14 in.-15 in., Bolt-On, 3
	SR1CK530-2[^]	Left Hand: 16 in.-17 in., Bolt-On, 3
	SR1CK531-2[^]	Right Hand: 16 in.-17 in., Bolt-On, 3
	SR1CK530-3[^]	Left Hand: 18 in.-19 in., Bolt-On, 3
	SR1CK531-3[^]	Right Hand: 18 in.-19 in., Bolt-On, 3
5A	HENS-29885	Pivot Bolt Kit

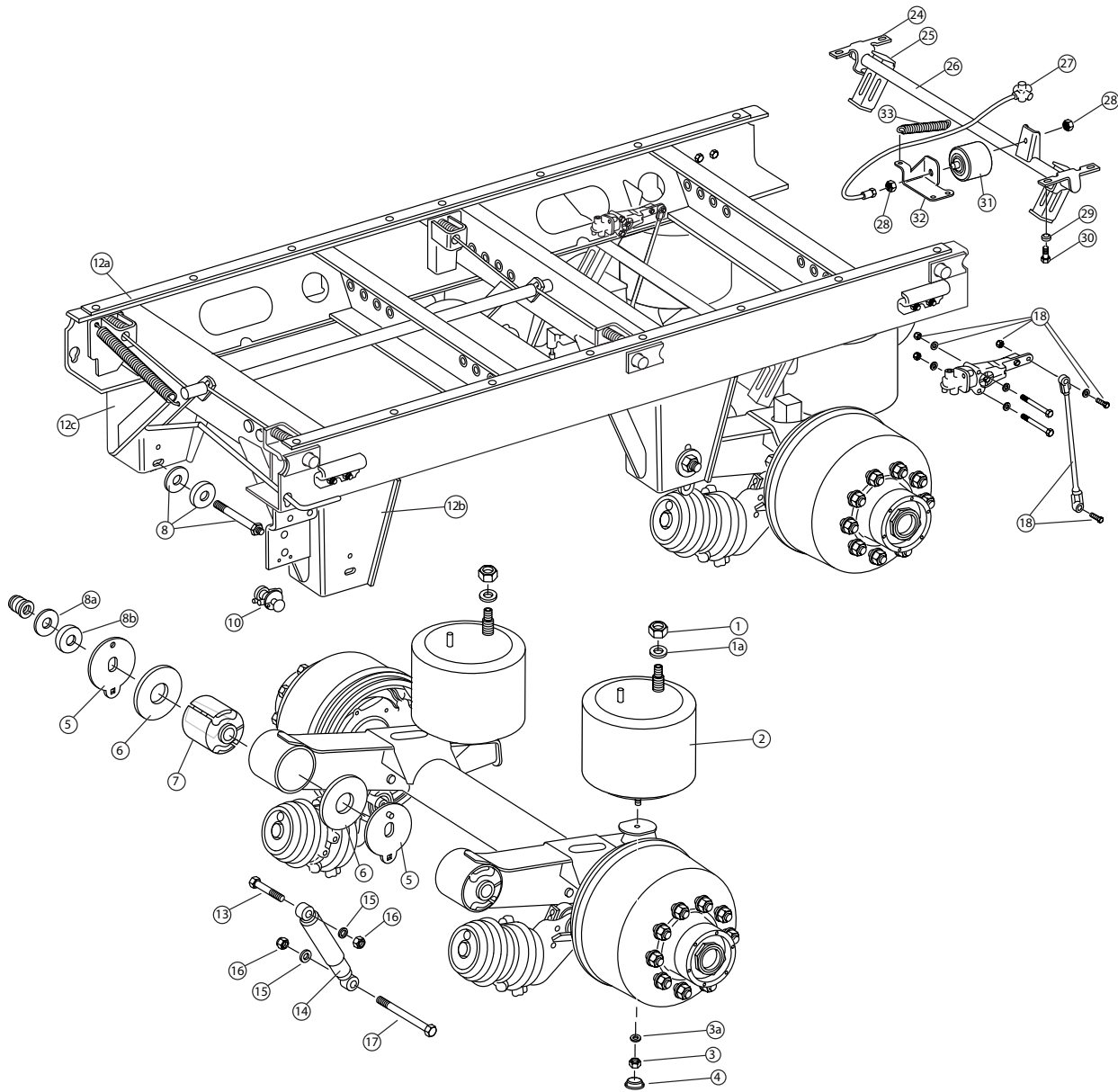
Item	Part Number	Description
6	Shock Assembly	
6A	HENS-23651	Shock
6B	DANM10HN300	Lock Nut
6C	M20HN301[^]	Washer
6D	DANM10HM301	Lower Shock Bolt
6E	M10HM303[^]	Upper Shock Bolt
7	Ride Height Control Assembly	
7A	500366-24[^]	Bolt
7B	500365-19[^]	Flat Washer
7C	DANSR1PS100	Ride Height Valve
7D	500608-1[^]	Lock Nut
7E	Upper Height Control Valve Bracket	
	SR1CK507[^]	For Weld-On Hanger Bracket
	SR1CK527[^]	For Bolt-On Hanger Bracket
7F		Lock Nut
7G		Flat Washer
7H		Shoulder Bolt
7I	Linkage Kit	Type: Ride Height
	SR1QT101-1[^]	Weld-On: 14 in. - 15 in.
	SR1QT101-2[^]	Weld-On: 16 in. - 17 in.
	SR1QT101-3[^]	Weld-On: 18 in. - 19 in.
	SR1QT101-4[^]	Bolt-On: 14 in. - 15 in.
	SR1QT101-5[^]	Bolt-On: 16 in. - 17 in.
	ST1QT101-6[^]	Bolt-On: 18 in. - 19 in.
7J	SR1CK305[^]	Lower Height Control Valve Bracket
8	DANSR1VA104	Air Spring
9	Top Air Spring Mounting Plate	
	SR1CK517[^]	Weld-On
	SR1CK526[^]	Bolt-On
	SR1CK528[^]	Bolt-On
10	HENSA-7000-4	Lock Nut

[^]Part included for reference only.

Suspensions

Hendrickson - Dana RS Sliding

DISCONTINUED - For Reference Only



HENDRICKSON

Suspension Components

SUS

Hendrickson - Dana RS Sliding

Components

Item	Part Number	Description
	HENS-29892	Air Spring Kit
1	HENSA-7000-4	Lock Nut
1A	500358-17[^]	Lock Washer
2	DANSR1VA105	Air Spring Suspension
3	DANSR1HN305	Lock Nut
4	500357-13[^]	Cap Plug
5	DANSR1HS100	Cam Alignment Washer
6	HENS-21099	Arm Bushing Spacer
7	HENS-29886	Pivot Bushing
8	HENS-29885	Pivot Bolt Kit
10	Air Dump Valve Kit	
	SR1PS102[^]	Manual Dump, Auto Reset
	SR1PS106[^]	TOFC
	SR1PS107[^]	Auto Dump
	HENAKEM0005-1	Manual Dump, Manual Refill
12A	Slider Box Assembly	Frame Width
	SR1DK100-3[^]	71-1/2 in.
	DANSR1DK100-4	77-1/2 in.
12B	Left Hand Hanger Bracket	Ride Height
	SR1JA107-19L[^]	19 in.
	SR1JA107-18L[^]	18 in.
	DANSR1JA107-17L	17 in.
	DANSR1JA107-16L	16 in.
	SR1JA107-15L[^]	15 in.
	SR1JA107-14L[^]	14 in.
12C	Right Hand Hanger Bracket	Ride Height
	SR1JA107-19R[^]	19 in.
	SR1JA107-18R[^]	18 in.
	DANSR1JA107-17R	17 in.
	DANSR1JA107-16R	16 in.
	SR1JA107-15R[^]	15 in.
	SR1JA107-14R[^]	14 in.
13	M10HM300[^]	Upper Shock Bolt
14	HENS-23651	Shock Absorber

Item	Part Number	Description
15	DANM10HN301	Lower Flat Washer
16	DANM10HN300	Lower & Upper Nut
17	DANM10HM301	Lower Shock Bolt
18	Linkage Kit	Ride Height
	SR1QT100-1[^]	14 in. - 15 in.
	HENS-14187	16 in. - 17 in.
	SR1QT100-3[^]	18 in. - 19 in.
24	Pivot Dock Lock Bracket	Location
	SR1CK201-L[^]	Left Hand
	SR1CK201-R[^]	Right Hand
25		Strut
26		Tube
27	DANSR1PS105	Pressure Regulator Valve
28	500383-8[^]	Jam Nut
29		Flat Washer
30	DAN500412-12	Bolt
31	SR1VA103-1[^]	Dock Lock Actuator
32	HENS-29899	Dock Lock Actuator Bracket
33	HENS-SR1WJ100	Dock Lock Air Bag Tension Spring

Suspension Components

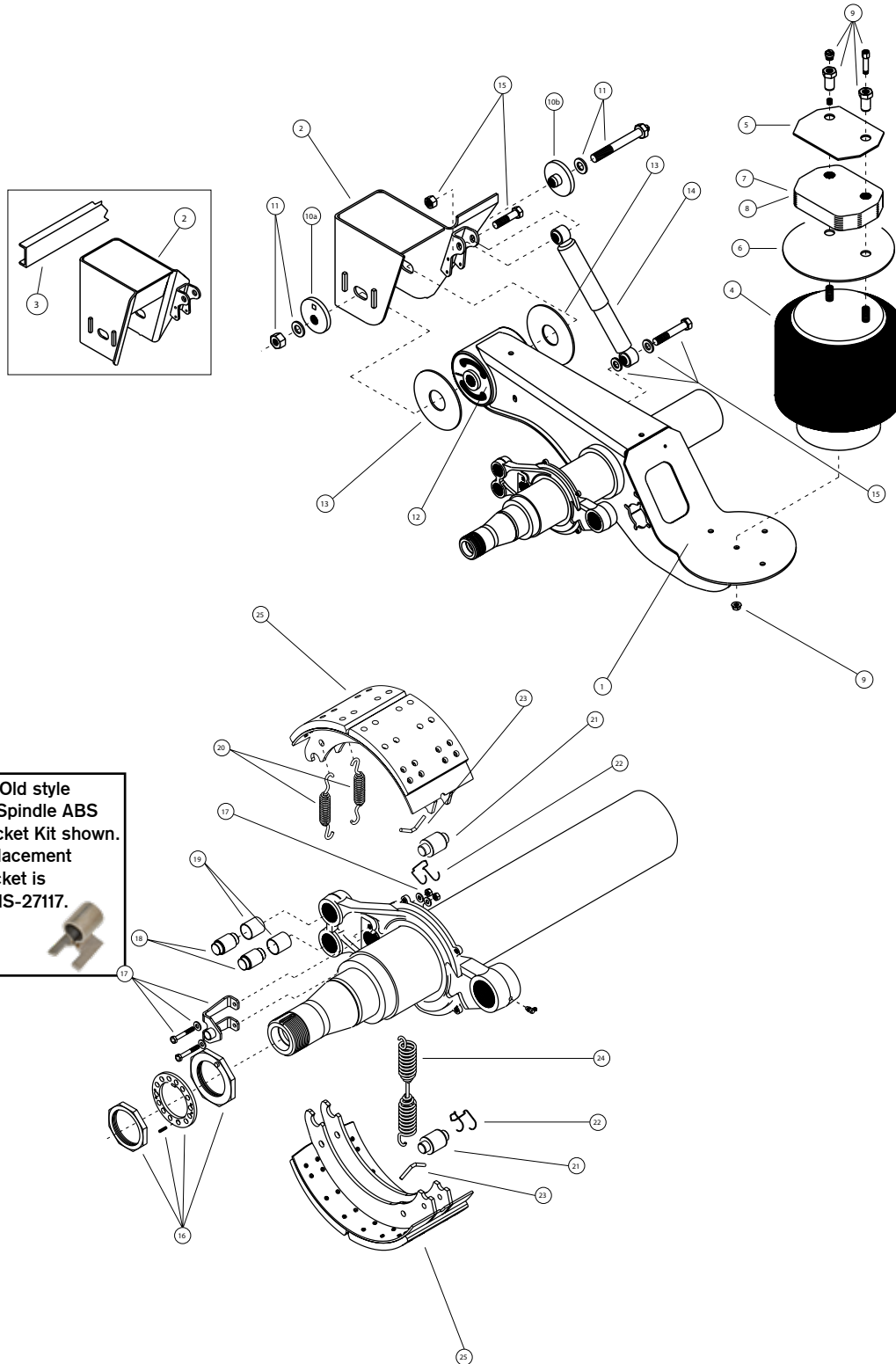
HENDRICKSON

SUS

[^]Part included for reference only.

Suspensions

Hendrickson - AAL 25K, 30K



HENDRICKSON

Suspension Components

SUS

Hendrickson - AAL 25K, 30K

Components

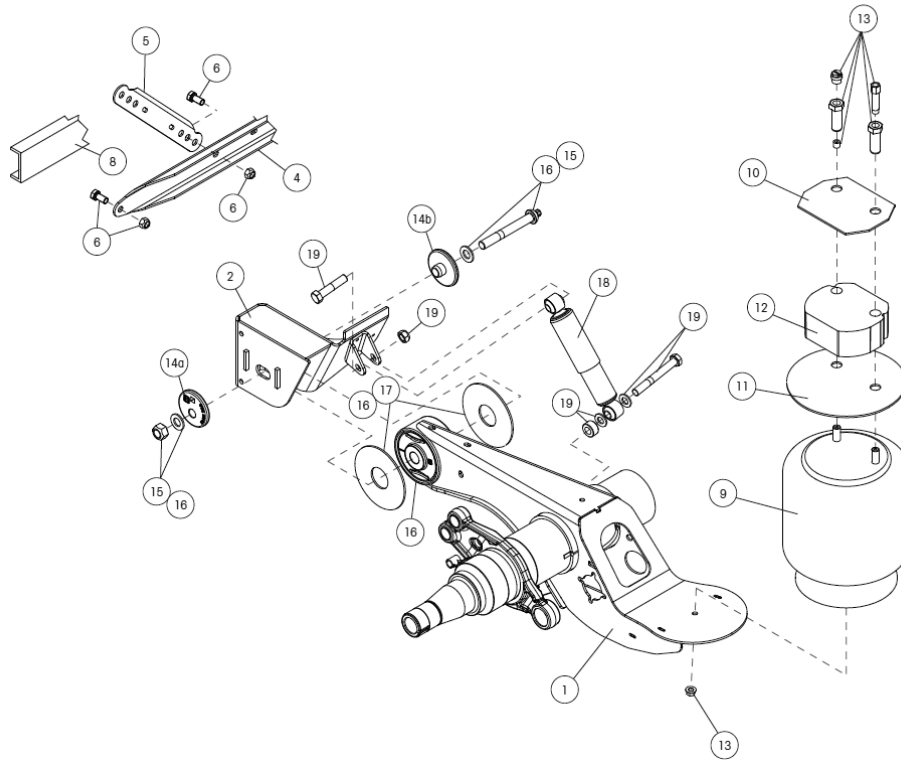
Item	Part Number	Description
1		Axle/Beam Weldment
2		Frame Bracket
3	HENA-1631-19	Frame Bracket Channel
4	Air Spring	Ride Heights
	HENS-23720	6-1/2 in. to 8 in.
	HENS-23613	8-1/2 in. to 10 in.
	HENS-23614	10-1/2 in. to 21 in.
	HENS-23721	6-1/2 in. to 8 in.
	HENS-23611	8-1/2 in. to 10 in.
	HENS-23612	10-1/2 in. to 21 in.
5	Air Spring Mounting Plate	
	B-20905[^]	Weld-On: Octagonal
	B-23294[^]	Weld-On: 12 in. Round
	HENB-21145	Bolt-On: 1-1/2 in. Mounting Holes
	HENB-22390	Bolt-On: 2-1/4 in. Mounting Holes
	HENB-21715	Bolt-On: 1-3/4 in. Mounting Holes
6	B-23294[^]	Lower Air Spring Plate
7	Air Spring Spacer	Thickness
	HENB-22510-1	Plastic 1-1/8 in.
	HENB-22510-2	Plastic 1-7/8 in.
	HENB-22510-3	Plastic 3-1/8 in.
	HENB-22510-4	Plastic 3/4 in.
8	Air Spring Spacer Assembly	
	C-24077-6[^]	Weld-On 5-5/16 in.
	C-24077-8[^]	Weld-On 7-5/16 in.
	C-24077-9[^]	Weld-On 4-13/16 in.
	C-24077-10[^]	Weld-On 9-1/4 in.
	C-24077-11[^]	Weld-On 10-3/4 in.
	C-24079-2[^]	Bolt-On 5-9/16 in.
	C-24079-4[^]	Bolt-On 7-9/16 in.
	C-24079-5[^]	Bolt-On 5-1/16 in.
	C-24079-6[^]	Bolt-On 9-1/2 in.
	C-24079-7[^]	Bolt-On 11 in.
9	Air Spring Mounting Kit	
	HENS-22619-2	No Spacer Unit
	S-226630/2[^]	Plastic 1-1/8 in.
	HENS-22631-2	Plastic 1-7/8 in.
	HENS-22632-2	Plastic 3-1/8 in.
	HENS-22635-2	Plastic 3/4 in.

Item	Part Number	Description
10	Alignment Collars	
10A	HENS-20925	Eccentric, QUIK-ALIGN®
10B	HENS-20924	Concentric, QUIK-ALIGN®
11	HENS-24679	QUIK-ALIGN® Pivot Bolt Kit
12	HENS-24691	QUIK-ALIGN® Pivot Bushing Kit
13	HENS-21099	Bushing Wear Pad
14	Shock Absorber	Ride Heights
	HENS-23651	Standard: 6-1/2 in. to 8 in.
	S-23290	Standard: 8-1/2 in. to 10 in.
	HENS-23566	Standard: 10-1/2 in. to 15 in.
	HENS-2212	Standard: 15-1/2 in. to 21 in.
	S-22312	Extended: 6-1/2 in. to 8 in.
	S-23291	Extended: 8-1/2 in. to 10 in.
	S-23014	Extended: 10-1/2 in. to 15 in.
	HENS-23316	Extended: 15-1/2 in. to 21 in.
15	HENS-24757-2	Shock Absorber Bolt Kit
16	Axle Nut Kit	
	HENS-20492-2	HN Spindle
	HENS-20475-2	HP Spindle
17	ABS Bracket Kit	
	HENS-27117	HN Spindle
	S-21070[^]	HP Spindle
18		Anchor Pin
19		Anchor Pin Bushing
20		Brake Retaining Spring
21		Brake Shoe Roller
22		Roller Retainer
23		Return Spring Pin
24		Brake Return Spring
25	Brake Shoe	
	HENS-21266-1	Standard: 16-1/2 in. x 7 in.
	HENS-21184-1	Major Overhaul: 16-1/2 in. x 7 in.
	HENS-23750-1	HXS: 16-1/2 in. x 7 in.
	HENS-23750-3	HXS: 16-1/2 in. x 7 in.
	HENS-23753-1	Major Overhaul: 16-1/2 in. x 7 in.
	HENS-23753-3	Major Overhaul: 16-1/2 in. x 7 in.
	HENS-23751-1	HXS: 16-1/2 in. x 8-5/8 in.
	HENS-23751-3	HXS: 16-1/2 in. x 8-5/8 in.
	HENS-23754-1	Major Overhaul: 16-1/2 in. x 8-5/8 in.
	HENS-23754-3	Major Overhaul: 16-1/2 in. x 8-5/8 in.

[^]Part included for reference only.

Suspensions

Hendrickson - AANL 23K



Item	Part Number	Description
1		Axle/Beam Weldment
2		Frame Bracket
3	HENS-27330	Frame Bracket Gusset
4	Bolt-On C-Channel	
	HENB-30021-1	71-1/2 in. Track
	HENB-30021-2	77-1/2 in. Track
5	HENB-30591	Struts
6	HENS-29822	Bolt Kit for C-Channel
7	HENS-30720	Bolt Kit for Struts (not shown)
8	C-Channel for Wingless Weld-On	
	C-27375-1 ^	71-1/2 in. Track
	HENC-27375	77-1/2 in. Track
9	Air Springs	Ride Heights
	HENS-23720	Standard: 6-1/2 in. x 7-1/2 in.
	HENS-23613	Standard: 8 in. x 9 in.
	HENS-23614	Standard: 12 in. x 17 in.
	HENS-23721	Low Pressure: 6-1/2 in. x 7-1/2 in.
	HENS-23611	Low Pressure: 8 in. x 9 in.
	HENS-23612	Low Pressure: 12 in. x 17 in.
10	HENS-20905	Air Spring Mounting Plate
11	HENS-23294	Air Spring Flex Plate

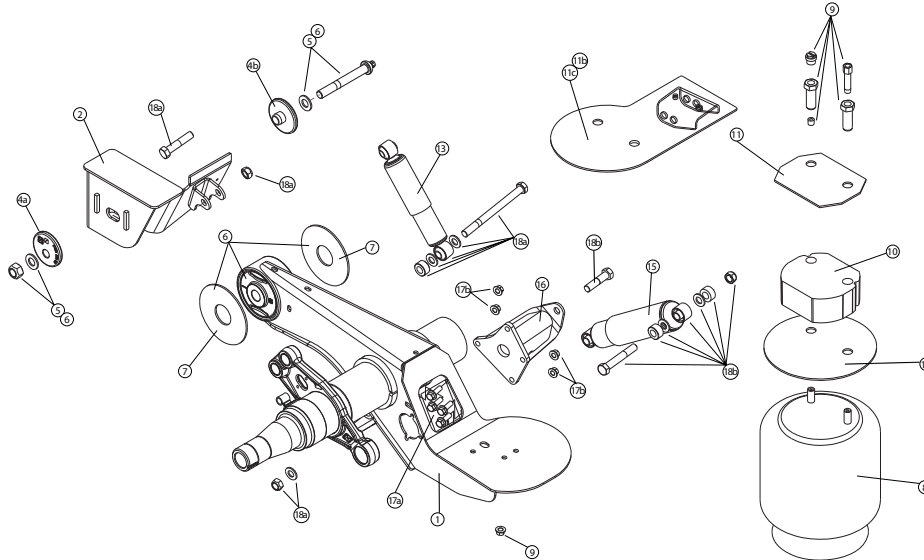
Item	Part Number	Description
12	Air Spring Spacer	Ride Height
	HENB-22510-3	Plastic: 3-1/8 in., 15 in. & 16 in.
	HENB-22510-4	Plastic: 3/4 in. & 14 in.
	HEND-27049-5	Steel: 4-13/16 in. & 17 in.
13		Air Spring Mounting Kit
14		Alignment Collars
14A	HENS-20925	Eccentric Alignment Collar
14B	HENS-20924	Concentric Alignment Collar
15	HENS-24705	QUIK-ALIGN® Pivot Bolt Kit
16	HENS-26321	TRI-FUNCTIONAL® Pivot Bushing Kit
17	HENS-26807	Bushing Tube Spacers
18	Front Shock Absorber	Ride Heights
	HENS-23651	Standard: 6-1/2 in. x 9 in.
	HENS-24579	Extended: 6-1/2 in. x 9 in.
	HENS-25515	Extended: 12 in. x 17 in.
19	HENS-29199-2	Shock Bolt Kit

*Part included for reference only.

SUS HENDRICKSON Suspension Components

SUS

Hendrickson - AANLS 20K



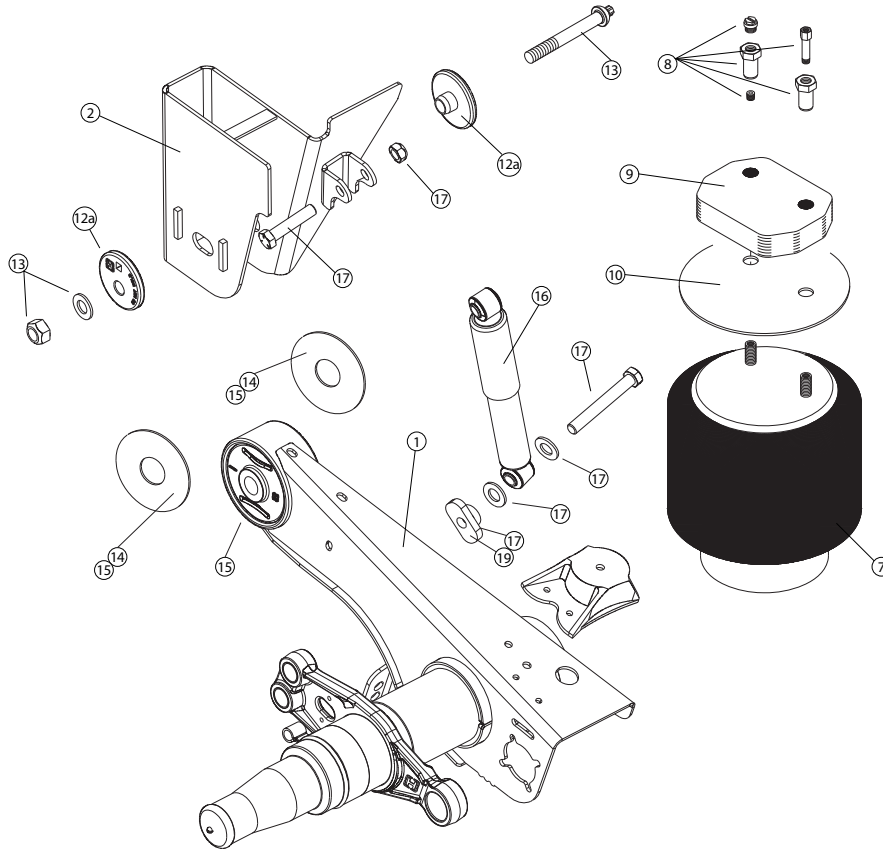
Item	Part Number	Description
1		Axle/Beam Weldment
2	Frame Brackets	Winged, Weld-On: Ride Height
	HENS-26150-1L	Roadside: 6-1/4 in. x 7 in.
	HENS-26150-1R	Curbside: 6-1/4 in. x 7 in.
	S-26150-2L[^]	Roadside: 9 in.
	S-26150-2R[^]	Curbside: 9 in.
	HENS-27067-5L	Roadside: 12 in.
	HENS-27067-5R	Curbside: 12 in.
	HENS-26874-1L	Roadside: 6-1/4 in. x 7 in.
	HENS-26874-1R	Curbside: 6-1/4 in. x 7 in.
	HENS-26874-2L	Roadside: 9 in.
	HENS-26874-2R	Curbside: 9 in.
3	Frame Bracket Gusset	
	HENS-27330	Standard Mount
	S-28516[^]	Flush Mount
4	Alignment Collars	
4A	HENS-20925	Eccentric: Outer
4B	HENS-20924	Concentric: Inner
5	HENS-24705	QUIK-ALIGN [®] Pivot Bolt Kit
6	HENS-26321	TRI-FUNCTIONAL [®] III Bushing Kit
7	HENS-26807	Bushing Tube Spacers
8	HENS-23721	Air Spring
9	Air Spring Mounting Kit	Ride Height
	HENS-22619-2	6-1/4 in. to 7 in.
	HENS-22632-2	9 in. to 12 in.
	HENS-22630-2	6-1/4 in. to 7 in.
	HENS-22619-2	Steel

Item	Part Number	Description
10	Air Spring Spacer	Ride Height: 9 in. to 12 in.
10A	HENB-22510-3	Plastic
10B	D-28398-2L	Steel, Roadside
	D-28398-2R	Steel, Curbside
10C	HEND-28397	Steel
11	Air Spring Mounting Plate	
11A	HENS-20905	Standard
11B	C-26157-1L[^]	Plastic Spacer, Roadside
	C-26157-1R[^]	Plastic Spacer, Curbside
11C	C-26157-2L[^]	Steel Spacer, Roadside
	C-26157-2R[^]	Steel Spacer, Curbside
12	HENS-23294	Air Spring Flex Plate
13	Front Shocks	Ride Height
	HENS-23651	Standard: 6-1/4 in. x 9 in.
	HENS-23566	Standard: 12 in.
	HENS-24579	Extended: 6-1/4 in. x 9 in.
	HENS-24023	Extended: 12 in.
15	Rear Shocks	Ride Height
	HENS-25515	6-1/4 in. x 7 in.
	HENS-23316	9 in.
16	Rear Shock Tower	Location
	D-24807-1[^]	Roadside
	D-24807-2[^]	Curbside
17A	HENSA-6900-2	Rear Shock Tower Bolt
17B	HENSA-7000-1	Rear Shock Tower Nut
18	Shock Bolt Kit	
18A	HENS-26154-2	Front Shocks
18B	S-26161/2[^]	Rear Shocks

[^]Part included for reference only.

Suspensions

Hendrickson - AANT 23K



Suspension Components

Item	Part Number	Description
1		Axle/Beam Weldment
2		Frame Bracket
7	Air Spring	Ride Height
	HENS-26773	Standard: 12 in. to 13 in.
	HENS-21800	Standard: 13-1/2 in. to 19 in.
	HENS-20901	Low Pressure: 13-1/2 in. to 19 in.
8	Air Spring Mounting Kit	Ride Height
	HENS-22907-2	12 in.
	HENS-22619-2	13-1/2 in. to 16 in.
	HENS-22630-2	17 in.
	HENS-22631-2	18 in.
	HENS-22632-2	19 in.
9	Air Spring Spacer	Thickness
	HENB-22510-1	Plastic: 1-1/8 in.
	HENB-22510-2	Plastic: 1-7/8 in.
	HENB-22510-3	Plastic: 3-1/8 in.
10	Air Spring Mounting Plate	
10A	HENS-20905	Weld-On: 12 in. to 19 in.
10B	S-21145^A	Bolt-On: 13-1/2 in. to 19 in.

Item	Part Number	Description
12	Alignment Collars	
12A	HENS-20925	Eccentric: Outer
12B	HENS-20924	Concentric: Inner
13	HENS-24705	QUIK-ALIGN [®] Pivot Bolt Kit
14	HENS-26807	Bushing Tube Spacers
15	HENS-26321	Tri-Functional Bushing Kit
16	Shock Absorber	Ride Height
	HENS-23566	Standard: 13-1/2 in. to 19 in.
	HENS-23651	Standard: 13 in.
	HENS-23361	Standard: 13-1/2 in. to 17 in.
	HENS-23361	Limited: 13-1/2 in. to 19 in.
	HENS-24023	Extended: 13-1/2 in. to 19 in.
	HENS-23743	Extended: 12 in.
	HENS-24579	Extended: 13 in.
17	HENS-24049-2	Shock Absorber Bolt Kit
19	HENS-27196	Shock Spacer

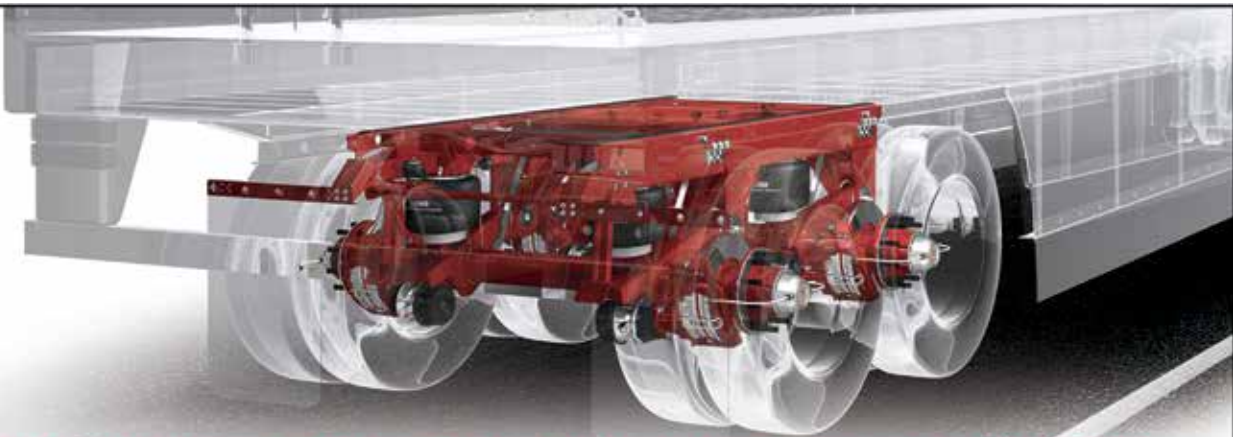
^APart included for reference only.

Specifications

Hendrickson AANT 23K

Model	Suspension Capacity (lbs.)	Axle Diameter (in.)	Ride Heights (in.)	Base Model Weight (lbs.)
AANT 23K	23,000*	LDA Large Diameter Axe	12, 13.5, 14, 15, 16, 17, 18, 19	490

* Capacity refers to suspension and axle ratings, except where noted.



TESTED. VALIDATED. PROVEN.

Original parts.

Original fit.

Original performance.



HENDRICKSON
Genuine Parts

www.hendricksonparts.com • 1.866.755.5968

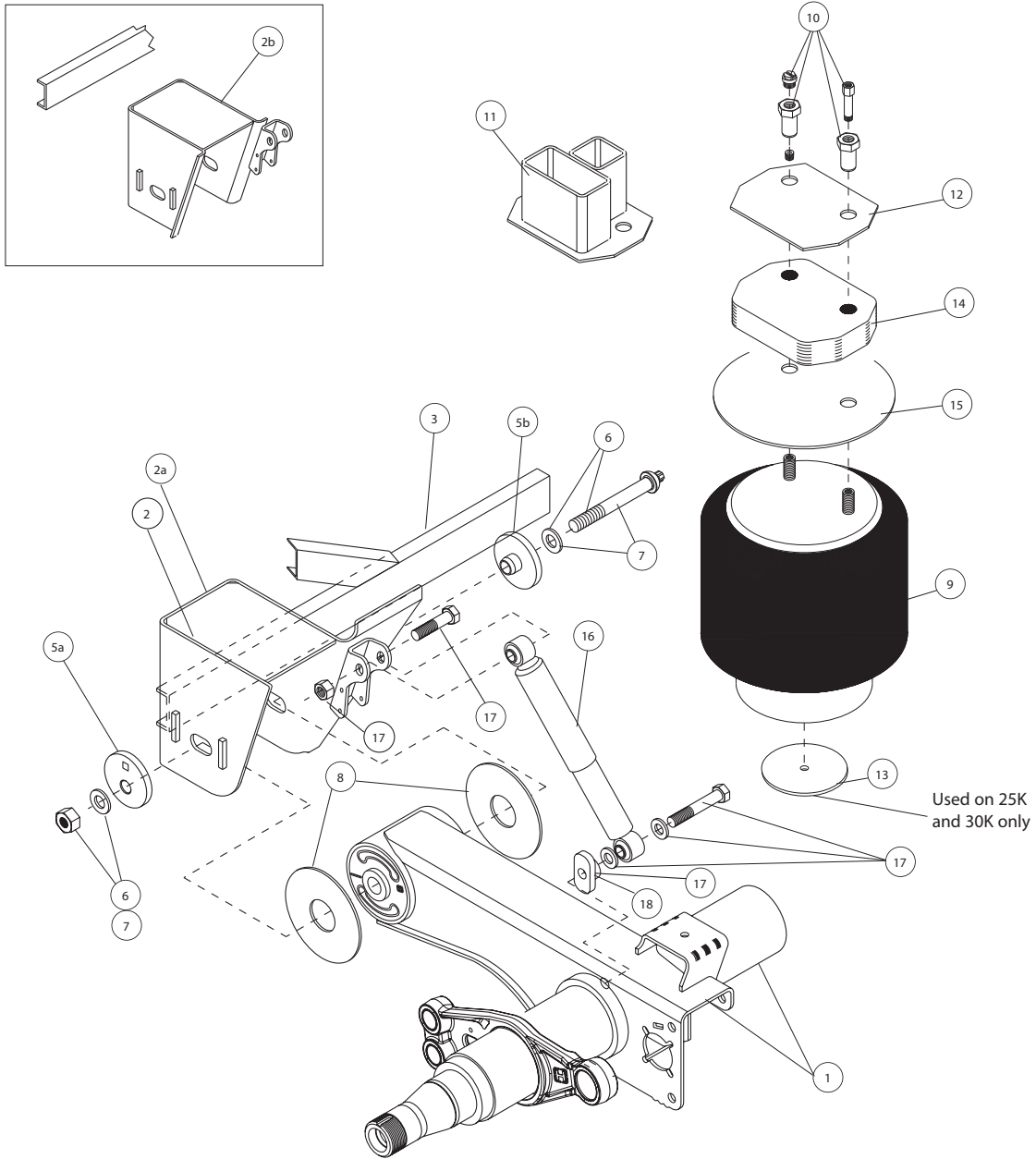
Suspension Components

HENDRICKSON

SUS

Suspensions

Hendrickson - AAT 23K, 25K, 30K



Used on 25K and 30K only

HENDRICKSON
Suspension Components

SUS

Hendrickson - AAT 23K, 25K, 30K

Components

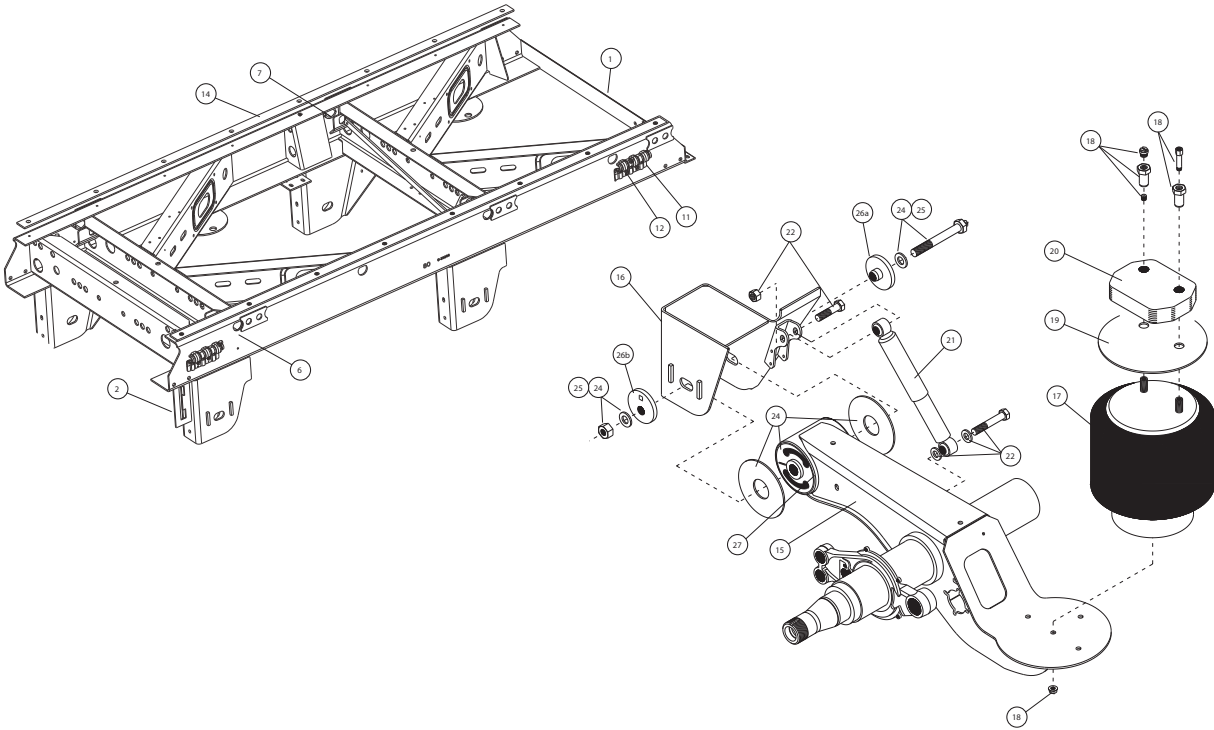
Item	Part Number	Description
1		Axle/Beam Weldment
2	Frame Bracket	
2A	HENS-21028-1	Roadside, 8 in., Standard Top Plate
	HENS-21028-2	Curbside, 8 in., Standard Top Plate
	HENS-21028-3	Roadside, 8 in., Weld-On Top Plate
	HENS-21028-4	Curbside, 8 in., Weld-On Top Plate
	HENS-21626-1	Roadside, 8 in., High Control
	HENS-21626-2	Curbside, 8 in., High Control
	HENS-21082-1	Roadside, 10 in., Standard Top Plate
	HENS-21082-2	Curbside, 10 in., Standard Top Plate
	HENS-21082-3	Roadside, 10 in., Weld-On Top Plate
	HENS-21082-4	Curbside, 10 in., Weld-On Top Plate
	HENS-22872-1	Roadside, 12 in., High Control
	HENS-22872-2	Curbside, 12 in., High Control
	HENS-21083-1	Roadside, 12 in., Standard Top Plate
	HENS-21083-2	Curbside, 12 in., Standard Top Plate
2B	HENS-21905-1	Roadside, 8 in., Weld-On
	HENS-21905-2	Curbside, 8 in., Weld-On
	HENS-23000-1	Roadside, 8 in., High Control
	HENS-23000-2	Curbside, 8 in., High Control
	HENS-21906-1	Roadside, 10 in.
	HENS-21906-2	Curbside, 10 in.
	HENS-24851-1	Roadside, 10 in., High Control
	HENS-24851-2	Curbside, 10 in., High Control
	HENS-22770-1	Roadside, 12 in., Weld-On
	HENS-22770-2	Curbside, 12 in., Weld-On
3	Frame Bracket Channel	
	HENA-1631-19	Axle Track 71-1/2 in. to 77-1/2 in.
	A-1621-35[^]	Axle Track 83-1/2 in. to 85 in.
5	Alignment Collars	
5A	HENS-20925	Eccentric: Outer
5B	HENS-20924	Concentric: Inner
6	QUIK-ALIGN[®] Pivot Bolt Kit	
6A	HENS-24679	Pivot Bolt Kit
6B	HENS-26369	Kit w/ Bushing Tube Spacers
6C	HENS-24680	Kit w/ Alignment Collars
7	QUIK-ALIGN[®] Pivot Bushing Kit	
7A	HENS-24691	Standard
7B	HENS-28654	Kit w/ Alignment Collars
8	HENS-21099	Standard Bushing Tube Spacers

Item	Part Number	Description
9	Air Spring	
	HENS-21800	13-1/2 in. to 19 in.
	HENS-26773	12 in. to 13 in.
	HENS-20901	13-1/2 in. to 19 in.
10	Air Spring Mounting Kit	
	HENS-4903-2	12 in.
	HENS-22619-2	13-1/2 in., 14 in., 18 in. & 19 in.
	HENS-22630-2	15 in.
	HENS-22631-2	16 in.
	HENS-22632-2	17 in.
11	Air Spring Spacer Assembly	
11A	HENC-22302-2	23K & 25K: 1-5/16 in.
	HENC-22302-3	23K & 25K: 2-1/16 in.
	HENC-22302-4	23K & 25K: 3-5/16 in.
	HENC-22302-5	23K & 25K: 4-1/16 in.
	HENC-22302-6	23K & 25K: 5-5/16 in.
11B	HEND-27049-9	30K: 1-5/16 in.
	D-27049-10[^]	30K: 2-1/16 in.
	HEND-27049-8	30K: 3-5/16 in.
	D-27049-10[^]	30K: 4-1/16 in.
	HEND-27049-2	30K: 5-5/16 in.
12	Air Spring Mounting Plate	
12A	HENS-20905	Weld-On: 13-1/2 in. to 19 in.
	HENS-23294	Weld-On: 30K 13-1/2 in. & 14 in.
12B	HENB-21145	Bolt-On: 1-1/2 in. Mounting Holes
	HENB-22390	Bolt-On: 2-1/4 in. Mounting Holes
	HENB-21715	Bolt-On: 1-3/4 in. Mounting Holes
	HENB-27264	Bolt-On: 13-1/2 in. to 19 in. Ride Height
	HENC-20192	Bolt-On: 12 in. Ride Height
13	HENS-21786	Air Spring Bottom Disk
14	Air Spring Spacer	
	HENB-22510-1	Plastic: 1-1/8 in.
	HENB-22510-2	Plastic: 1-7/8 in.
	HENB-22510-3	Plastic: 3-1/8 in.
15	HENB-24812	Air Spring Flex Plate
16	Shock Absorber	
	HENS-23566	Standard: 23K & 25K
	HENS-23361	Limited: 23K & 25K
	S-24812[^]	Extended: 23K, 25K & 30K
17	Shock Absorber Bolt Kit	
	HENS-20896-2	23K & 25K before 8/11/95
	HENS-24021	23K & 25K after 8/11/95, 30K Front
	HENS-20031-2	30K Rear
18	HENS-27196	Shock Spacer

[^]Part included for reference only.

Suspensions

Hendrickson - HKAL



HENDRICKSON

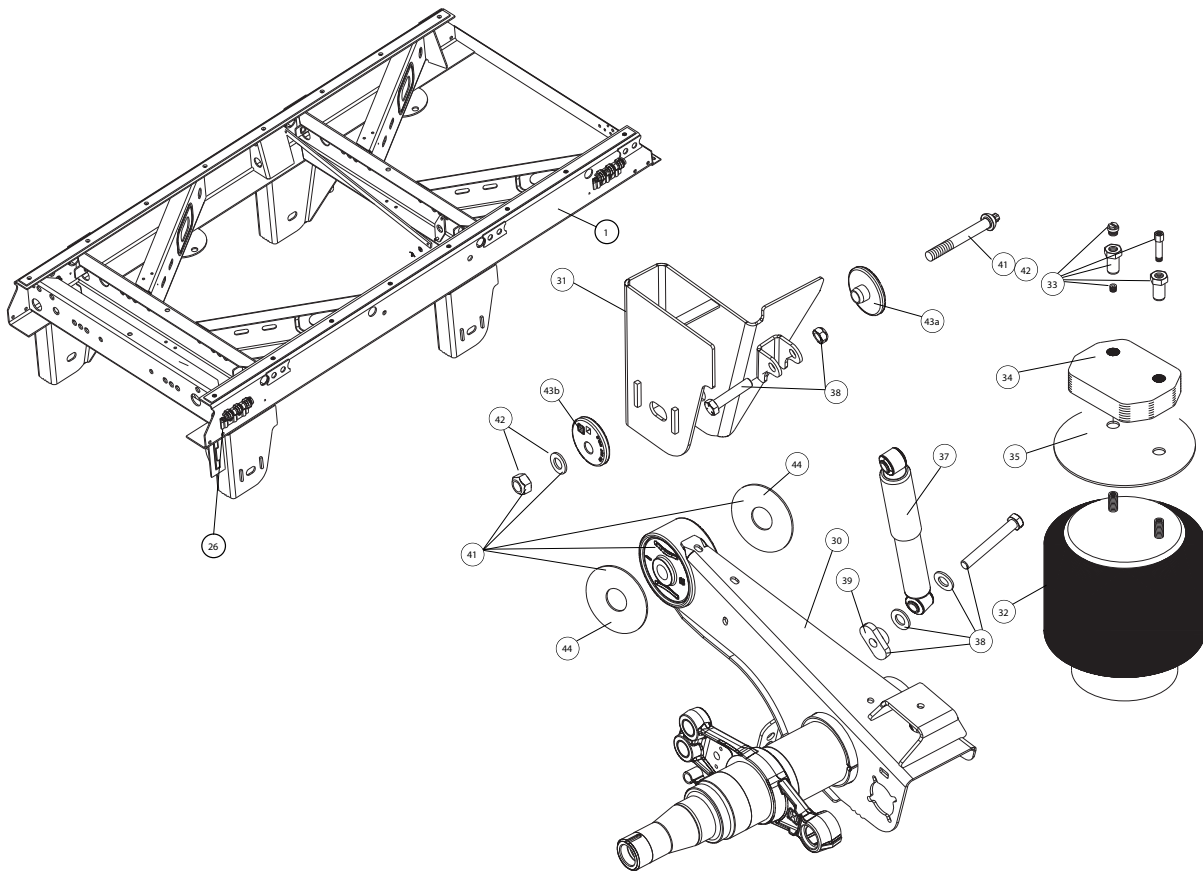
Suspension Components

SUS

Item	Part Number	Description
1		Aftermarket Slider Box Replacement
2		QUIK-DRAW® Pneumatic Pin-Pull Mechanism
2A	HENS-28061-1	Front Linear Actuator, 42 in. Box
2B	HENS-28062-1	Rear Linear Actuator, 42 in. Box
2C	HENS-28061-2	Front Linear Actuator, 48 in. Box
2D	HENS-28062-2	Rear Linear Actuator, 48 in. Box
3		QUIK-DRAW® Valve
3A	HENVS-25223	3-Way Auto Reset Valve
3B	HENVS-25224	3-Way Auto Reset Valve Kit
6		Locking Pin
6A	HENS-28290	1-3/8 in. Diameter
6B	HENS-28289	1-5/8 in. Diameter
7		Locking Pin Spring
7A	HENB-28930	48 in. Box w/ QUIK-DRAW®
7B	HENB-22000	42 in. Box w/ QUIK-DRAW®
11		Body Rail Clip
11A	HENS-24459	3-13/32 in. Height
11B	HENS-24460	3-13/16 in. Height
12	HENSA-6900-2	Body Rail Bolt
15		HTRAAX Axle/Beam Weldment

Item	Part Number	Description
16		Frame Bracket Assembly Ride Heights
16A	HEND-26067-1L	Roadside: 10 in.
	HEND-26067-1R	Curbside: 10 in.
16B	HEND-26067-2L	Roadside: 11 in.
	HEND-26067-2R	Curbside: 11 in.
17	HENS-23613	Air Spring
18	HENS-22631-2	Air Spring Mounting Kit
19	HENS-23294	Air Spring Plate
20	HENB-22510-2	Upper Air Spring Spacer
21	HENS-23566	Shock Absorber
22	HENS-24757-2	Shock Bolt Kit
24	HENS-24691	TRI-FUNCTIONAL® Pivot Bushing Kit
25	HENS-24679	QUIK-ALIGN® Pivot Bolt Kit
26		Alignment Collar
26A	HENS-20924	Concentric
26B	HENS-20925	Eccentric
27	HENS-21099	Bushing Tube Spacer

Hendrickson - HKANT40K / HKA180



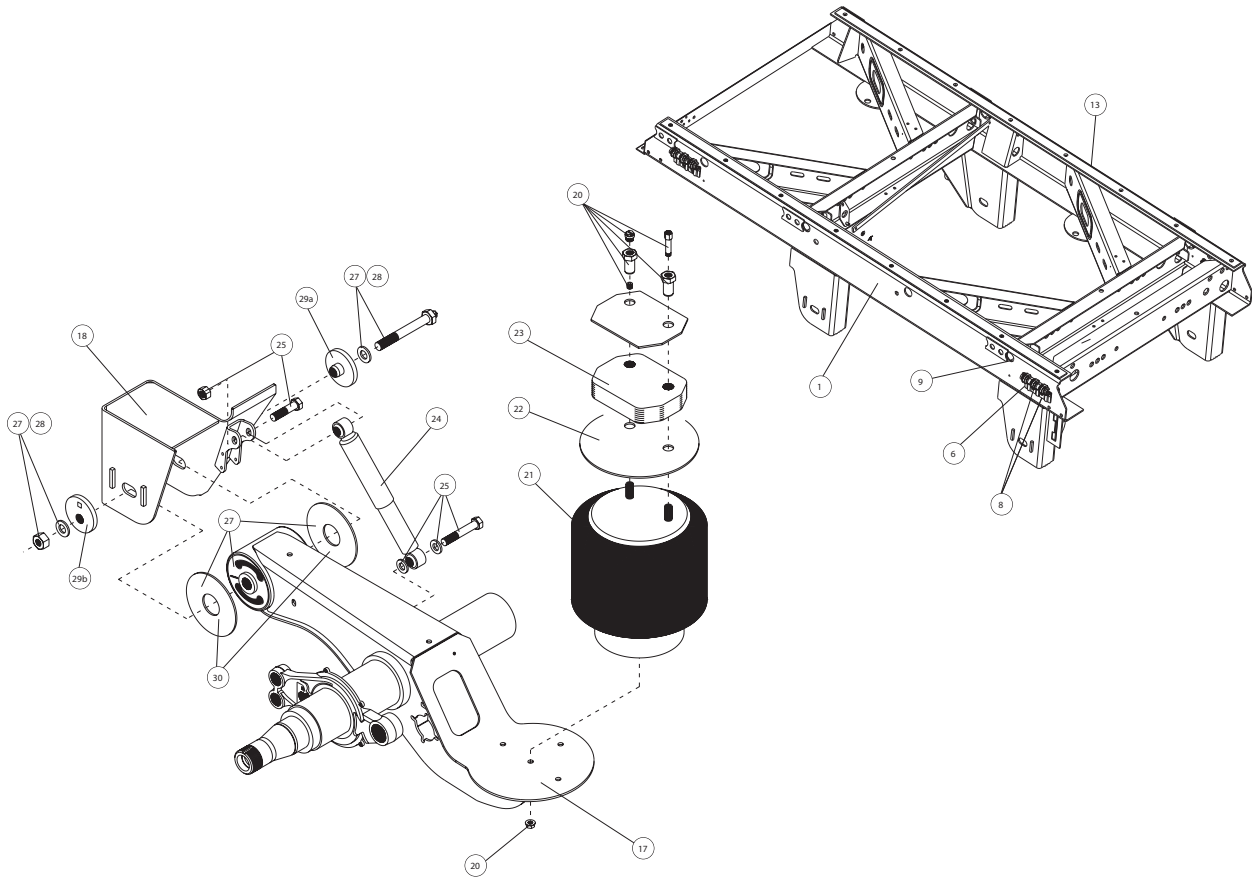
Item	Part Number	Description
1		Aftermarket Slider Box Replacement
26	Body Rail Clip	
	HENS-24459	3-13/32 in. Height
	HENS-24460	3-13/16 in. Height
30		Axle/Beam Weldment
31	Frame Bracket Assembly Ride Height	
31A	S-22365-1 ^	Roadside: 14 in. to 15 in.
	S-22365-2 ^	Curbside: 14 in. to 15 in.
31B	HENS-29802-1L	Roadside: 15-1/2 in. to 17 in.
	HENS-29802-1R	Curbside: 15-1/2 in. to 17 in.
31C	S-22997-1 ^	Roadside: 18 in. to 19 in.
	S-22997-2 ^	Curbside: 18 in. to 19 in.
32	Air Spring	Ride Height
32A	HENS-22948	16 in. & above
32B	HENS-28929	

Item	Part Number	Description
33	Air Spring Mounting Kit	Ride Height
33A	HENS-22635-2	14 in. & 18 in.
	HENS-22631-2	15 in. & 19 in.
	HENS-22632-2	15-1/2 in.
	HENS-22619-2	16 in., 16-1/2 in. & 17 in.
33B	HENS-22619-2	14 in. to 18 in.
	HENS-22630-2	19 in.
34	Air Spring Spacer	Thickness
	HENB-22510-4	3/4 in.
	HENB-22510-2	1-7/8 in.
	HENB-22510-1	1-1/8 in.
	HENB-22510-3	3-1/8 in.
35	HENS-27042	Air Spring Mounting Plate

^Part included for reference only.

Suspensions

Hendrickson - HKANT46K

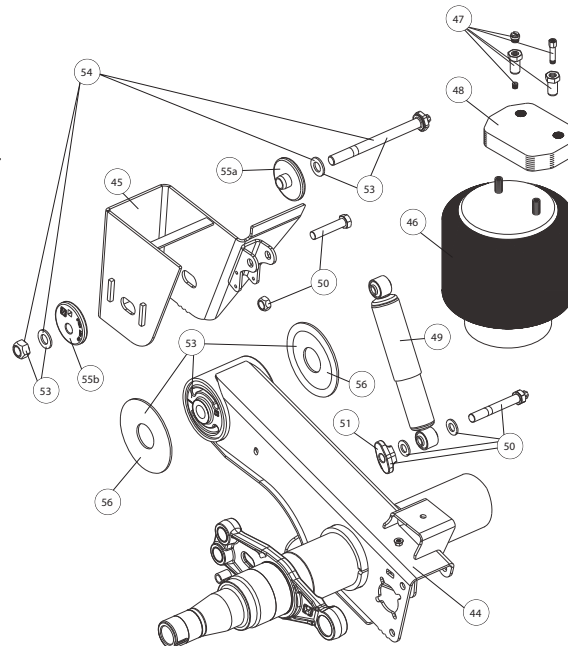
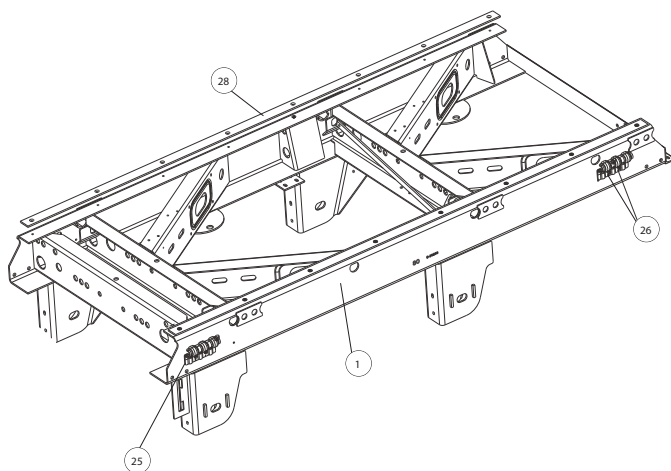


SUS
HENDRICKSON
 Suspension Components

Item	Part Number	Description
1		Replacement Slider Box
6		Body Rail Clip
	HENS-24460	3-13/16 in. Height
	HENS-24459	3-13/32 in. Height
8	HENSA-6900-2	Body Rail Clip Bolts
9		Locking Pin
9A	HENS-28290	Diameter: 1-3/8 in.
9B	HENS-28289	Diameter: 1-5/8
13	HENS-14342-3	Slider Wear Pad Kit
17		Axle Beam Weldment
18		Frame Brackets
18A	HEND-26067-1L	Roadside: 9 in. & 10 in.
	HEND-26067-1R	Curbside: 9 in. & 10 in.
18B	HENS-33173-2L	Roadside: 11 in. & 12 in.
	HENS-33173-2R	Curbside: 11 in. & 12 in.
20	HENS-22631-2	Air Spring Mounting Kit

Item	Part Number	Description
21		Air Spring
21A	HENS-23613	9 in., 10 in. & 11 in.
21B	HENS-23614	12 in.
22	HENS-23294	Air Spring Mounting Plate
23	HENB-22510-2	Air Spring Spacer
24	HENS-23566	Shock Absorber
25	HENS-24757-2	Shock Bolt Kit
27	HENS-24691	TRI-FUNCTIONAL® Pivot Bushing Kit
28	HENS-24679	QUIK-ALIGN® Pivot Bolt Kit
29		Alignment Collar
29A	HENS-20924	Concentric: Inner
29B	HENS-20925	Eccentric: Outer
30	HENS-21099	Bushing Tube Spacer

Hendrickson - HKAT46K / HKA200



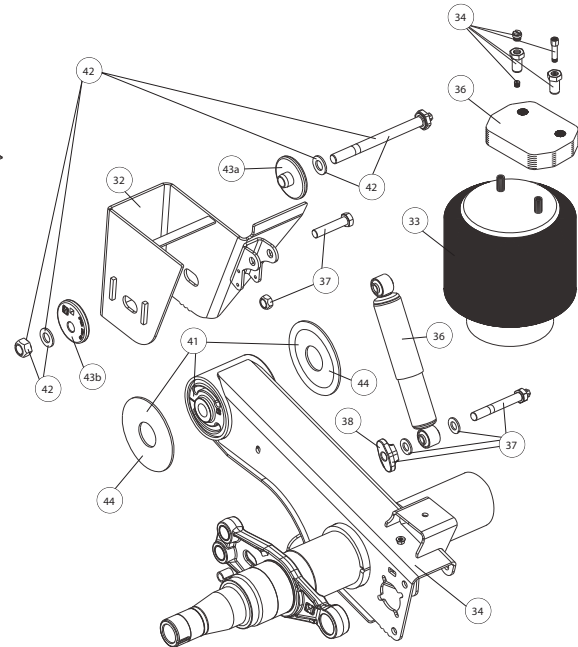
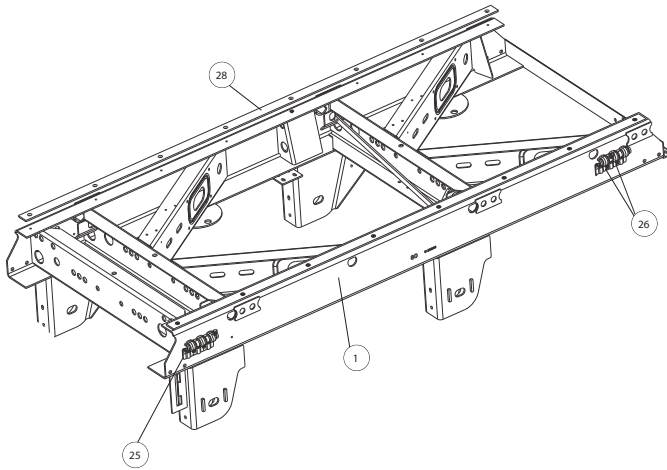
Item	Part Number	Description
1		Aftermarket Box Replacement
25	Body Rail Clip	
25A	HENS-24459	3-13/32 in. Height
25B	HENS-24460	3-13/16 in. Height
26	HENSA-6900-2	Body Rail Clip Bolt
28	HENS-14342-3	Slider Wear Pad Kit
44		Axle/Beam Weldment
45	Frame Bracket Assembly	Ride Height
45A	HEND-21807-1	Roadside: 14 in. to 15 in.
45B	HEND-21807-2	Curbside: 14 in. to 15 in.
45C	HENS-32195-2L	Roadside: 16 in. to 17 in.
45D	HENS-32195-2R	Curbside: 16 in. to 17 in.
45E	HENS-32195-3L	Roadside: 18 in. to 19 in.
45F	HENS-32195-3R	Curbside: 18 in. to 19 in.
46	Air Spring	Ride Height
46A	HENS-21800	14 in. to 15 in.
46B	HENS-22948	16 in. to 19 in.

Item	Part Number	Description
47	Air Spring Mounting Kit	Ride Height
47A	HENS-22635-2	14 in. & 16-1/2 in.
47B	HENS-22619-2	16 in.
47C	HENS-22631-2	15 in. & 18 in.
47D	HENS-22630-2	17 in.
47E	HENS-22632-2	19 in.
48	Air Spring Spacer	Thickness
48A	HENS-22510-4	3/4 in.
48B	HENS-22510-2	1-7/8 in.
48C	HENS-22510-1	1-1/8 in.
48D	HENS-22510-3	3-1/8 in.
49	HENS-23566	Shock Absorber
50	HENS-24049-2	Shock Bolt Kit
51	HENS-27196	Shock Spacer
53	HENS-24691	TRI-FUNCTIONAL® Pivot Bushing Kit
54	HENS-24679	QUIK-ALIGN® Pivot Bolt Kit
55	QUIK-ALIGN® Alignment Collar	
	HENS-20924	Concentric: Inner
	HENS-20925	Eccentric: Outer
56	HENS-21099	Bushing Tube Spacer

*Part included for reference only.

Suspensions

Hendrickson - HKAT50K / HKA250



Item	Part Number	Description
1		Aftermarket Box Replacement
25	Body Rail Clip	
25A	HENS-24459	3-13/32 in. Height
25B	HENS-24460	3-13/16 in. Height
26	HENSA-6900-2	Body Rail Clip Bolt
28	HENS-14342-3	Slider Wear Pad Kit
31		Axle/Beam Weldment
32	Frame Bracket Assembly	Ride Height
32A	HEND-21807-1	Roadside: 14 in. to 15 in.
32B	HEND-21807-2	Curbside: 14 in. to 15 in.
23C	HENS-32195-2L	Roadside: 16 in. to 17 in.
32D	HENS-32195-2R	Curbside: 16 in. to 17 in.
32E	HENS-32195-3L	Roadside: 18 in. to 19 in.
32F	HENS-32195-3R	Curbside: 18 in. to 19 in.
33	Air Spring	Ride Height
33A	HENS-20901	14 in. to 15 in.
33B	S-24443[^]	16 in. to 19 in.
34	Air Spring Mounting Kit	Ride Height
34A	HENS-22635-2	14 in. & 16-1/2 in.
34B	HENS-22619-2	16 in.
34C	HENS-22631-2	15 in. & 18 in.
34D	HENS-22630-2	17 in.
34E	HENS-22632-2	19

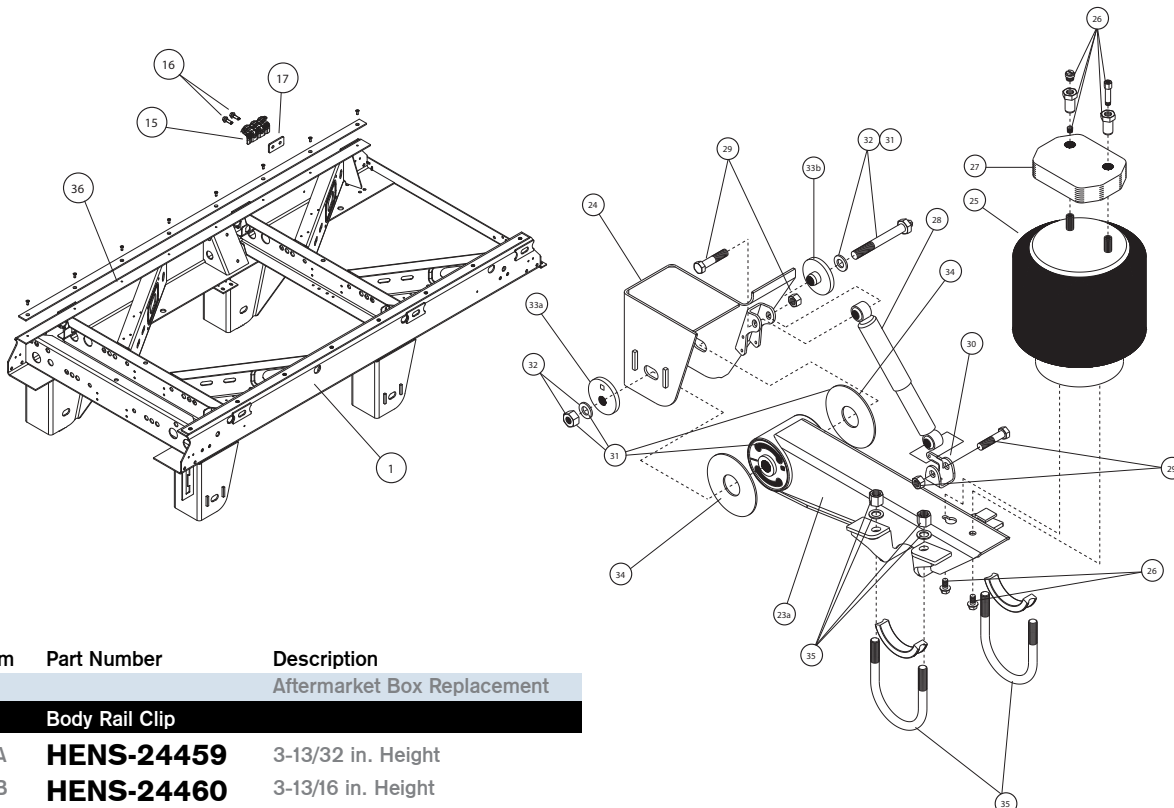
Item	Part Number	Description
35	Air Spring Spacer	Thickness
35A	HENS-22510-4	3/4 in.
35B	HENS-22510-2	1-7/8 in.
35C	HENS-22510-1	1-1/8 in.
35D	HENS-22510-3	3-1/8 in.
36	HENS-24023	Shock Absorber
37	HENS-24049-2	Shock Bolt Kit
38	B-27196[^]	Shock Spacer
41	HENS-24691	TRI-FUNCTIONAL [®] Pivot Bushing Kit
42	HENS-24679	QUIK-ALIGN [®] Pivot Bolt Kit
43	QUIK-ALIGN[®] Alignment Collar	
43A	HENS-20924	Concentric: Inner
43B	HENS-20925	Eccentric: Outer
44	HENS-21099	Bushing Tube Spacer

[^]Part included for reference only.

HENDRICKSON
Suspension Components

SUS

Hendrickson - HK190T / HK230



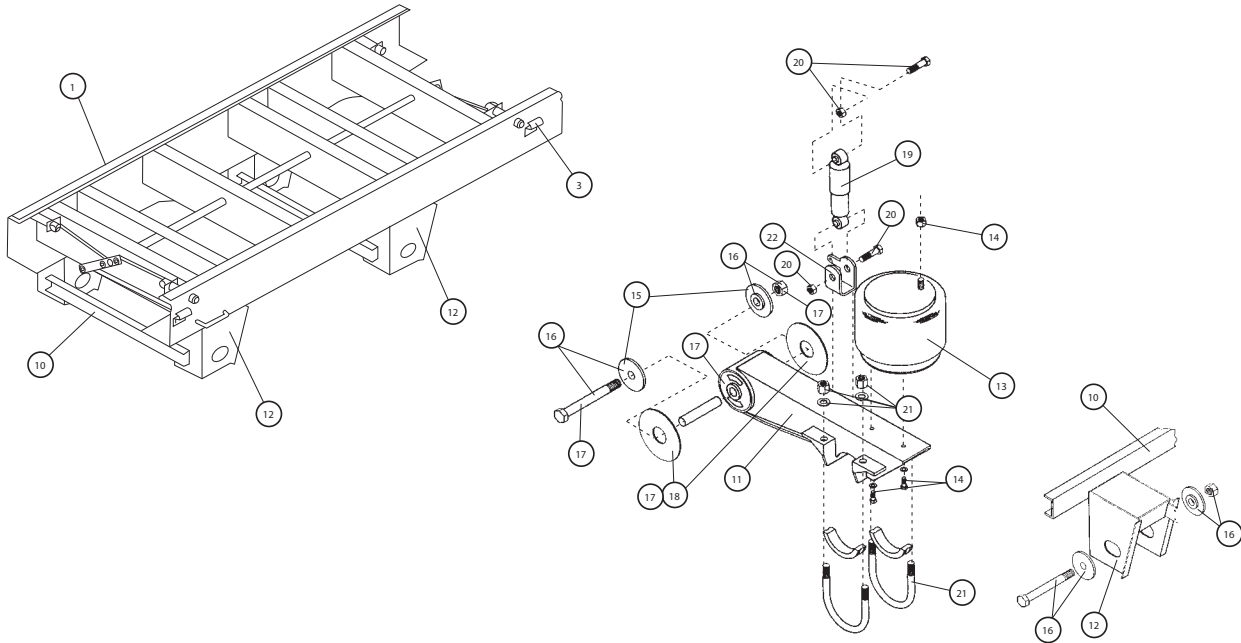
Item	Part Number	Description
1		Aftermarket Box Replacement
15		Body Rail Clip
15A	HENS-24459	3-13/32 in. Height
15B	HENS-24460	3-13/16 in. Height
16	HENSA-6900-2	Body Rail Bolt
17	HENA-22367	Body Rail Clip Spacer
23		Beam Assembly Overall Length
23A	HENS-20000-1	Roadside: 32-21/32 in.
	HENS-20000-2	Curbside: 32-21/32 in.
23B	HENS-21736-1	Roadside: 36-13/16 in.
	HENS-21736-2	Curbside: 36-13/16 in.
24		Frame Bracket Ride Height
24A	HENS-21291-1	Roadside: 16 in.
	HENS-21291-2	Curbside: 16 in.
24B	HEND-22386-1	Roadside: 16-1/2 in.
	HEND-22386-2	Curbside: 16-1/2 in.
24C	HENS-21497-1	Roadside: 17 in.
	HENS-21497-2	Curbside: 17 in.
24D	D-21802-1 ^	Roadside: 18 in.
	D-21802-2 ^	Curbside: 18 in.
24E	HEND-21803-1	Roadside: 19 in.
	HEND-21803-2	Curbside: 19 in.
25		Air Spring
25A	HENS-22045	HK190T Sliders
25B	HENS-22046	HK230 Sliders

Item	Part Number	Description
26		Air Spring Mounting Kits Ride Height
26A	HENS-22907-2	16 in.
26B	HENS-22908-2	16-1/2 in. & 17 in.
26C	HENS-22909-2	18 in.
26D	HENS-22910-2	19 in.
27		Air Spring Spacer Thickness
27A	HENS-22510-4	3/4 in.
27B	HENS-22510-2	1-7/8 in.
27C	HENS-22510-3	3-1/8 in.
28	HENS-21292	Shock Absorber
29	HENS-20031-2	Shock Absorber Bolt Kit
30	HENS-20069	Lower Shock Clevis
31	HENS-24691	TRI-FUNCTIONAL® Bushing Kit
32	HENS-24679	QUIK-ALIGN® Pivot Bolt Kit
33		Alignment Collars
33A	HENS-20925	Eccentric: Outer
33B	HENS-20924	Concentric: Inner
34	HENS-21099	Bushing Tube Spacers
35	HENS-21140	U-Bolt Kit
36	HENS-14342-3	Slider Wear Pad Kit

^Part included for reference only.

Suspensions

Hendrickson - HS190T / HS230



HENDRICKSON

Suspension Components

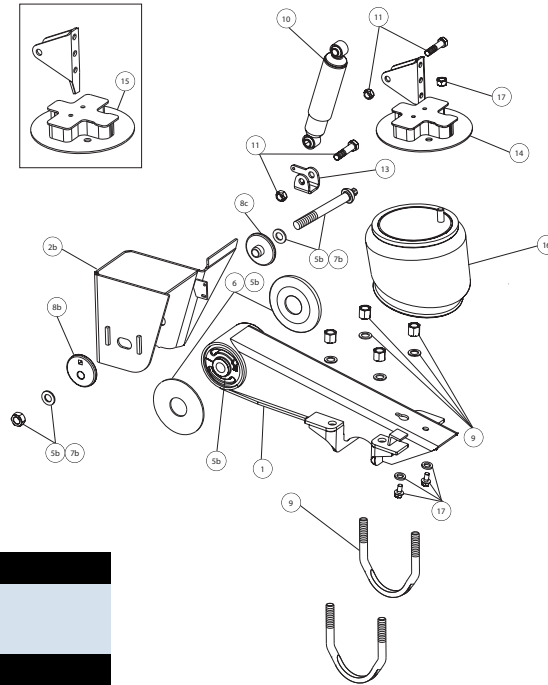
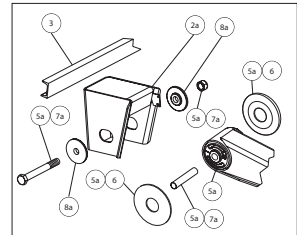
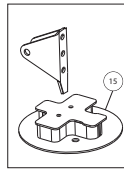
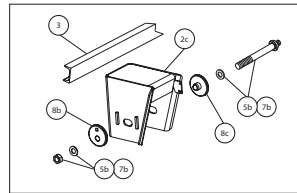
SUS

Item	Part Number	Description
1	HENS-14342-1	Slider Wear Pad Kit
3	Body Rail Clip	Hole Centers
3A	HENS-14108	1-1/2 in.
3B	HENS-22366	2 in.
3C	9635-00^A	4 in.
10	A-1631-6^A	Frame Bracket Channel
11	Beam Assembly	Overall Length
11A	HENS-20000-1	Roadside: 32-21/32 in.
	HENS-20000-2	Curbside: 32-21/32 in.
11B	HENS-21736-1	Roadside: 36-13/16 in.
	HENS-21736-2	Curbside: 36-13/16 in.
12		Frame Bracket
13	Air Spring	
13A	HENS-20223	HS190T Sliders
13B	HENS-20010	HS230 Sliders
14	HENS-20033-2	Air Spring Bolt Kit
15	Alignment Collars	
15A	HENS-2770	Welded Alignment
15B	HENS-20925	Eccentric: Outer
15C	HENS-20924	Concentric: Inner

Item	Part Number	Description
16	Pivot Bolt Kit	
16A	HENS-3646	Welded Alignment
16B	HENS-24679	QUIK-ALIGN [®]
17	TRI-FUNCTIONAL[®] Bushing Kit	
17A	HENS-6914	Welded Alignment
17B	HENS-24691	QUIK-ALIGN [®]
18	HENS-21099	Bushing Wear Pad
19	Shock Absorber	
19A	HENS-20001	HS190T Sliders
	HENS-20002	
20	HENS-20031-2	Shock Absorber Bolt Kit
21	HENS-21140	U-Bolt Kit
22	HENS-20069	Lower Shock Clevis

^APart included for reference only.

Hendrickson - HT190T



WINGLESS, WELD-ON FRAME BRACKET, WELDED ALIGNMENT

Item	Part Number	Description
1	Beam Assembly	
	HENS-20000-1	Roadside
	HENS-20000-2	Curbside
2	Frame Bracket !	
2A	HENS-20064-1	Roadside
	HENS-20064-2	Curbside
	HENS-20065-1	Roadside
	HENS-20065-2	Curbside
2B	HENS-21179-1	Roadside
	HENS-21179-2	Curbside
	HENS-21165-1	Roadside
	HENS-21165-2	Curbside
2C	HENS-21590-1	Roadside
	HENS-21590-2	Curbside
	HENS-21592-1	Roadside
	HENS-21592-2	Curbside
3	HENA-1631-19	Frame Bracket C-Channel
5	TRI-FUNCTIONAL® II Bushing Kit	
5A	HENS-6914	Welded Alignment
5B	HENS-24691	QUIK-ALIGN®
6	S-210999^A	Bushing Tube Spacer
7	Pivot Bolt Kit	
7A	HENS-3646	Welded Alignment
7B	HENS-24679	QUIK-ALIGN®
8	Alignment Collar	
8A	HENS-2770	Welded
8B	HENS-20925	Eccentric: Outer
8C	HENS-20924	Concentric: Inner

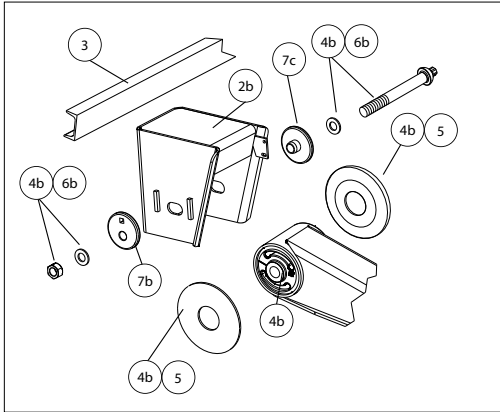
Item	Part Number	Description
9	HENS-21140-4	U-Bolt Kit
10	HENS-20001	Shock Absorber
11	Shock Bolt Kit	
	HENS-20031-2	
	HENS-20218-2	
13	HENS-20069	Lower Shock Clevis
14	Air Spring Shock Mount	
	HENC-20011-1	Roadside
	HENC-20011-2	Curbside
	HENC-20012-1	Roadside
	HENC-20012-2	Curbside
	HENC-20013-1	Roadside
	HENC-20013-2	Curbside
	HENC-20014-1	Roadside
	HENC-20014-2	Curbside
15	Air Spring Spacer Assembly	
	HENC-20016-1	
	HENC-20016-2	
	HENC-20016-3	
16	HENS-20223	Air Spring
17	HENS-20033-2	Air Spring Mounting Kit

! NOTE: To determine specific frame bracket needed, contact Hendrickson Technical Services.

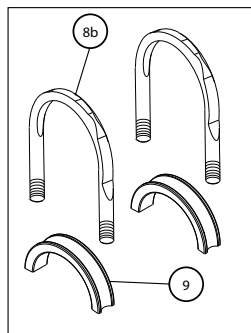
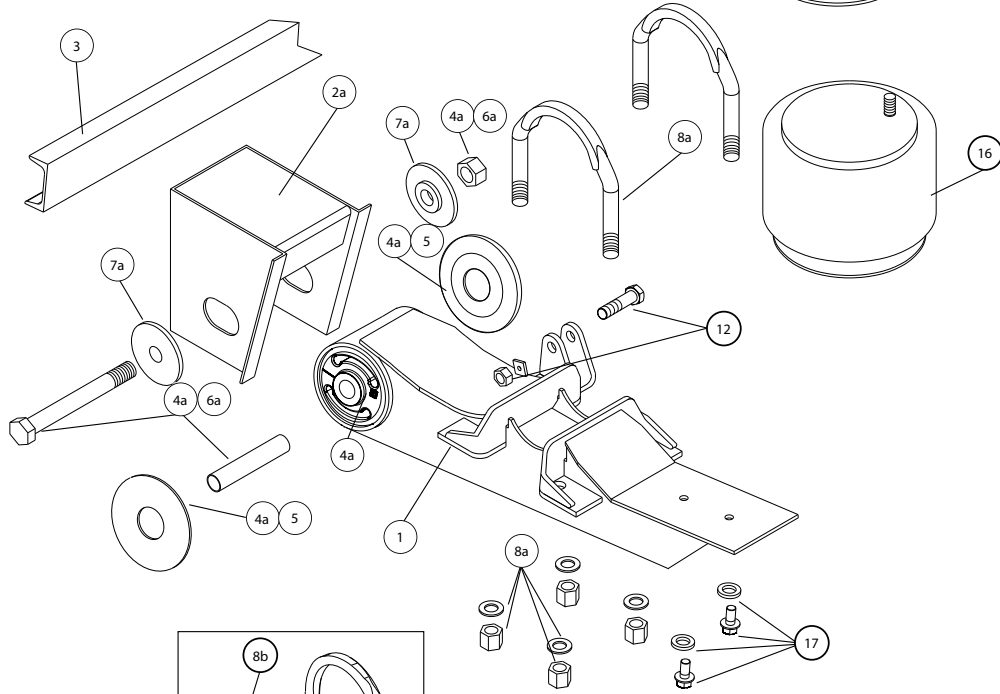
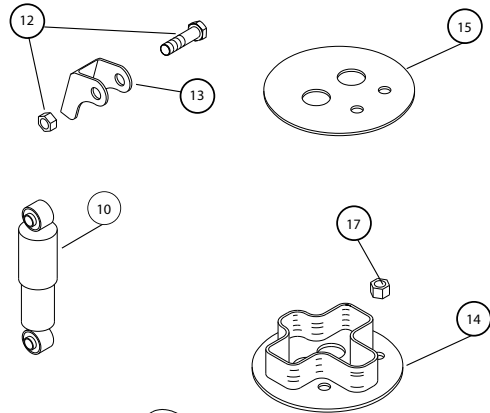
^APart included for reference only.

Suspensions

Hendrickson - HT190U



WINGLESS, WELD-ON FRAME
BRACKET WITH QUIK-ALIGN®



FLATTENED U-BOLT
USED IN 17-1/2 IN.
TIRE APPLICATIONS

SUS Suspension Components

SUS

Hendrickson - HT190U

Components

Item	Part Number	Description
1	Beam Assembly	
	HENS-20200-1	Roadside
	HENS-20200-2	Curbside
	D-20333-1 ^	Roadside
	D-20333-2 ^	Curbside
	D-20663-1 ^	Roadside
	D-20663-2 ^	Curbside
2	Frame Bracket !	
2A	HENS-20211	Roadside
	HENS-20065-2	Curbside
	HENS-20216	Roadside
	HENS-20064-2	Curbside
	C-20222 ^	Roadside & Curbside
	D-15188-1 ^	Roadside
	HENS-14190-2	Curbside
	HENS-14959-1	Roadside
	HENS-14959-2	Curbside
2B	HENS-22580	Roadside
	HENS-21590-2	Curbside
	D-22601 ^	Roadside
	HENS-21592-2	Curbside
	HENS-23265-1	Roadside
	HENS-23461-2	Curbside
3	HENA-1631-19	Frame Bracket C-Channel
4	TRI-FUNCTIONAL® II Bushing Kit	
4A	HENS-6914	Welded Alignment
4B	HENS-24691	QUIK-ALIGN®
5	HENS-21099	Bushing Tube Spacer
6	Pivot Bolt Kit	
6A	HENS-3646	Welded Alignment
6B	HENS-24679	QUIK-ALIGN®
7	Alignment Collars	
7A	HENS-2770	Welded Alignment
7B	HENS-20925	Eccentric: Outer
7C	HENS-20924	Concentric: Inner
8	U-Bolt Kit	
8A	HENS-21140-4	Standard
8B	HENS-22894-4	Flattened
9	HENS-20701	Axle Spacer

Item	Part Number	Description
10	Shock Absorber	
	HENS-20001	
	HENS-20002	
	HENS-2212	
	HENS-23649	
12	Shock Bolt Kit	
	HENS-20218-2	
	HENS-2157-2	
13	Upper Shock Clevis	
	HENS-20113	
	HENS-2592	
14	Air Spring Spacer Assembly	
	HENC-20016-1	
	HENC-20016-2	
	HENC-20016-5	
15	B-20035 ^	Air Spring Plate
16	HENS-20217	Air Spring
17	HENS-20033-2	Air Spring Mounting Kit

! NOTE: To determine specific frame bracket needed, contact Hendrickson Technical Services.

^Part included for reference only.

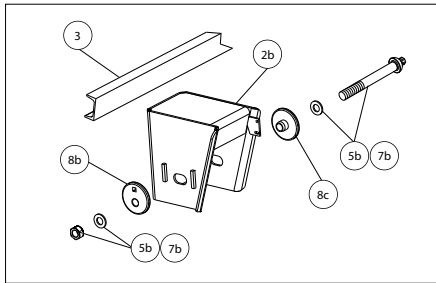
Suspension Components

HENDRICKSON

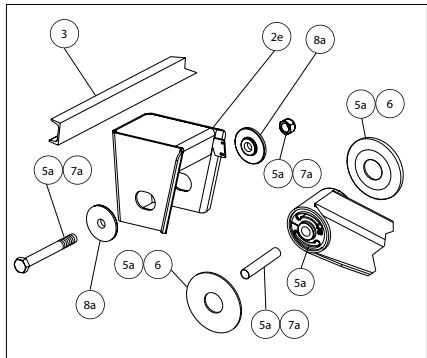
SUS

Suspensions

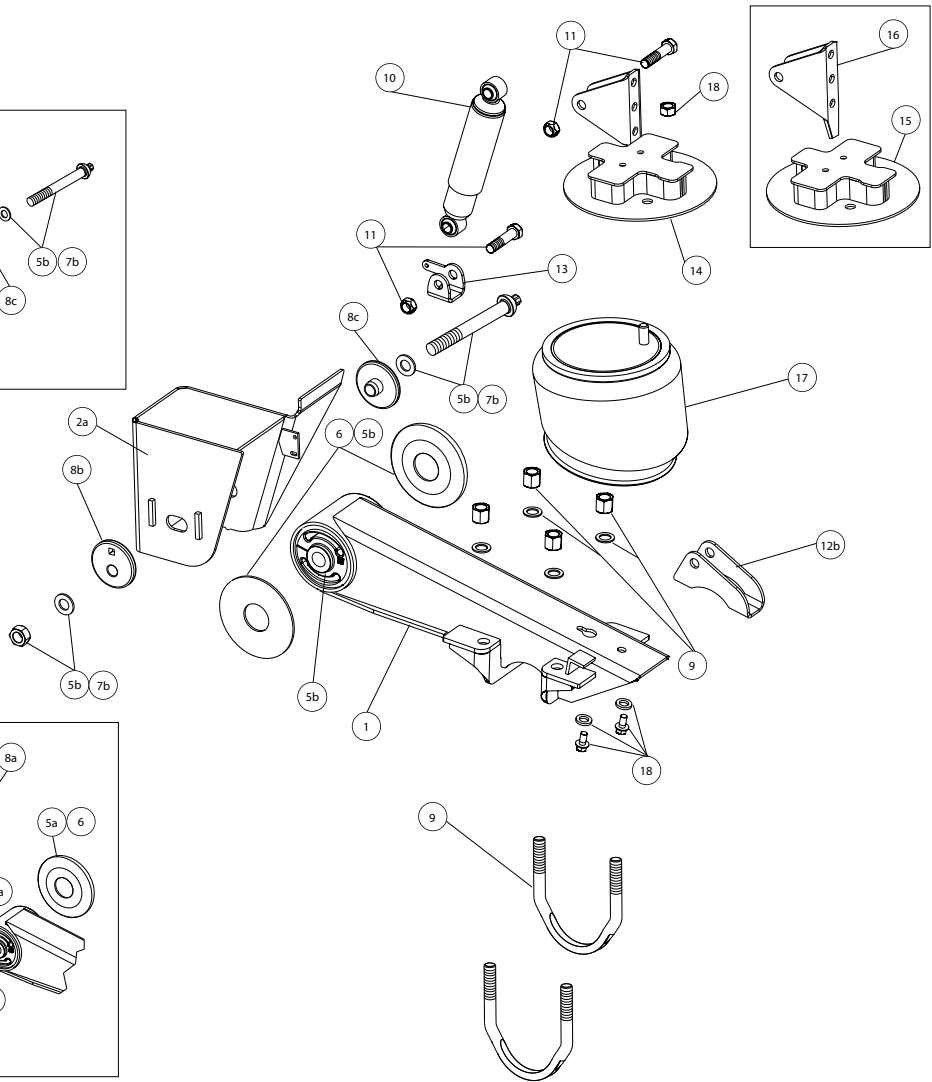
Hendrickson - HT230



WINGLESS, WELD-ON FRAME BRACKET WITH QUIK-ALIGN®



WINGLESS, WELD-ON FRAME BRACKET, WELDED ALIGNMENT



HENDRICKSON

Suspension Components

SUS

Hendrickson - HT230

Components

Item	Part Number	Description
1	Beam Assembly	
	HENS-20000-1	Roadside
	HENS-20000-2	Curbside
	HENS-21736-1	Roadside
	HENS-21736-2	Curbside
	HENS-27614-1	Roadside
	HENS-27614-2	Curbside
2	Frame Bracket !	
2A	HENS-21165-1	Roadside
	HENS-21165-2	Curbside
	HENS-21179-1	Roadside
	HENS-21179-2	Curbside
	HENS-21179-3	Roadside
	HENS-21179-4	Curbside
	HENS-21193-1	Roadside
	HENS-21193-2	Curbside
2B	HENS-21590-1	Roadside
	HENS-21590-2	Curbside
	HENS-21592-1	Roadside
	HENS-21592-2	Curbside
	HENS-22420-1	Roadside
	HENS-22420-2	Curbside
2E	HENS-20047-1	Roadside
	HENS-20047-2	Curbside
	HENS-20048-1	Roadside
	HENS-20048-2	Curbside
	HENS-20064-1	Roadside
	HENS-20064-2	Curbside
	HENS-20065-1	Roadside
	HENS-20065-2	Curbside
	HENS-20149-1	Roadside
	HENS-20149-2	Curbside
	HENS-14190-1	Roadside
	HENS-14190-2	Curbside
3	HENA-1631-19	Frame Bracket C-Channel
5	TRI-FUNCTIONAL® II Bushing Kit	
5A	HENS-6914	Welded Alignment
5B	HENS-24691	QUIK-ALIGN®
6	HENS-21099	Bushing Tube Spacer
7	Pivot Bolt Kit	
7A	HENS-3646	Welded Alignment
7B	HENS-24679	QUIK-ALIGN®
8	Alignment Collars	
8A	HENS-2770	Welded Alignment
8B	HENS-20925	Eccentric: Outer
8C	HENS-20924	Concentric: Inner

! NOTE: To determine specific frame bracket needed, contact Hendrickson Technical Services.

*Part included for reference only.

Item	Part Number	Description
9	HENS-21140-4	U-Bolt Kit
10	Shock Absorber	
	HENS-20002	
	HENS-2160	
	HENS-20126	
	HENS-2212	
	HENS-21553	
	HENS-21699	
11	Shock Bolt Kit	
11A	HENS-20031-2	Standard HT Application
11B	HENS-20218-2	Customer Supplied Slider Application
11C	HENS-2157-2	Customer Located Remote Shock
12	Remote Shock Mount	
12B	HENS-2723	Lower Assembly
13	HENS-20069	Lower Shock Clevis
14	Air Spring Shock Mount	
	HENC-20011-1	Roadside
	HENC-20011-2	Curbside
	HENC-20012-1	Roadside
	HENC-20012-2	Curbside
	HENC-20013-1	Roadside
	HENC-20013-2	Curbside
	HENC-20014-1	Roadside
	HENC-20014-2	Curbside
	HENC-20015-1	Roadside
	HENC-20015-2	Curbside
	HENC-20016-1	Roadside & Curbside
	HENC-20016-2	Roadside & Curbside
	HENC-20016-3	Roadside & Curbside
	HENC-20040-1	Roadside
	HENC-20040-2	Curbside
	HENC-20041-1	Roadside
	HENC-20041-2	Curbside
	HENC-20042-1	Roadside
	HENC-20042-2	Curbside
	HENC-20401-1	Roadside
	HENC-20401-2	Curbside
	HENC-21195-1	Roadside
	HENC-21195-2	Curbside
	HENC-21405-1	Roadside
	HENC-21405-2	Curbside
	HENC-20016-1	Roadside & Curbside
16	HENS-20023	Upper Shock Bracket
17	Air Spring	
	HENS-20010	
	HENS-21208	
18	Air Spring Mounting Kit	
	HENS-20033-2	
	A-21251[^]	

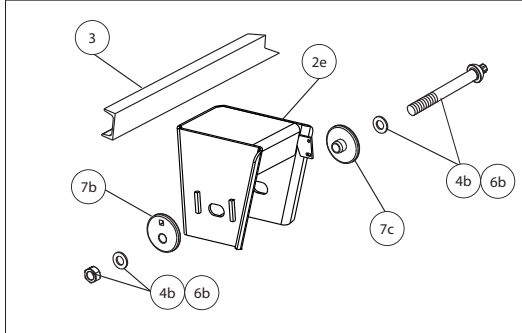
Suspension Components

HENDRICKSON

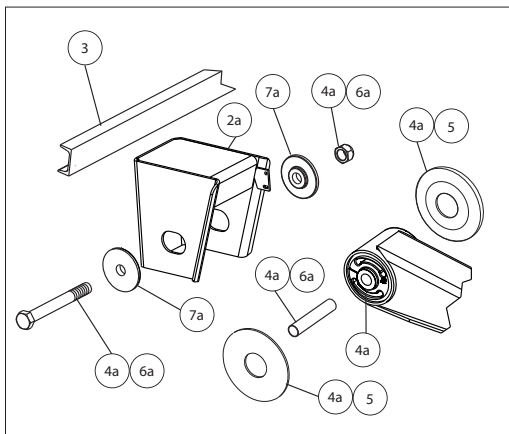
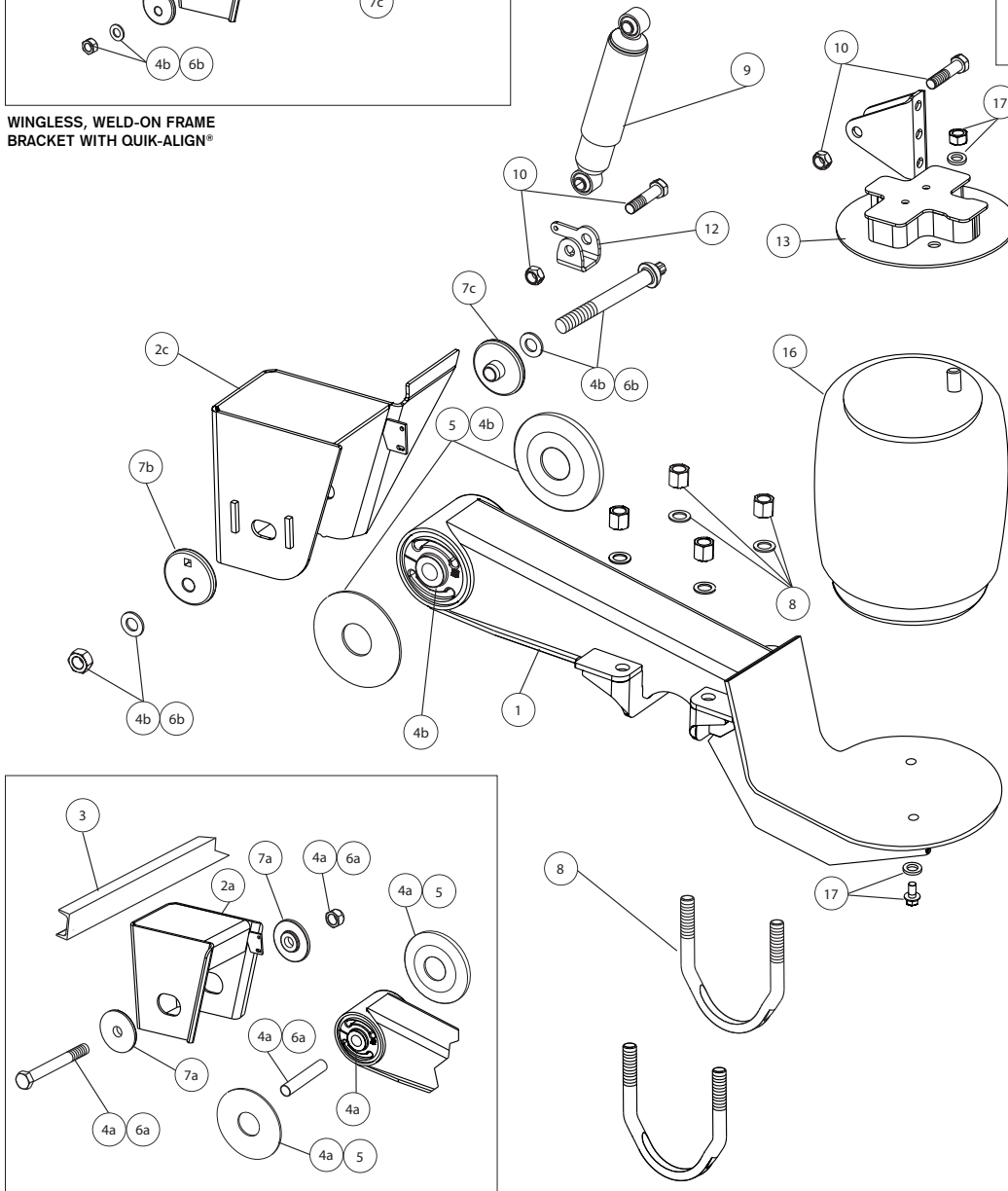
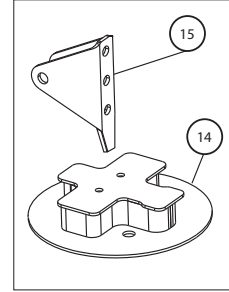
SUS

Suspensions

Hendrickson - HT250T



WINGLESS, WELD-ON FRAME BRACKET WITH QUIK-ALIGN®



WINGLESS, WELD-ON FRAME BRACKET, WELDED ALIGNMENT

HENDRICKSON
Suspension Components

SUS

Hendrickson - HT250T

Components

Item	Part Number	Description	
1	Beam Assembly		
	HENS-20602-1	Roadside	
	HENS-20602-2	Curbside	
2	Frame Bracket !		
	2A HENS-20064-1	Roadside	
	HENS-20064-2	Curbside	
	HENS-20065-1	Roadside	
	HENS-20065-2	Curbside	
	HENS-14190-1	Roadside	
	HENS-14190-2	Curbside	
	C-21040-1 ^	Roadside	
	C-21040-2 ^	Curbside	
	2C	HENS-21193-1	Roadside
HENS-21193-2		Curbside	
HENS-21179-1		Roadside	
HENS-21179-2		Curbside	
HENS-21165-1		Roadside	
HENS-21165-2		Curbside	
HENS-21179-3		Roadside	
HENS-21179-4		Curbside	
2E		HENS-21590-1	Roadside
		HENS-21590-2	Curbside
	HENS-21592-1	Roadside	
	HENS-21592-2	Curbside	
	HENS-23461-1	Roadside	
HENS-23461-2	Curbside		
3	HENA-1631-19	Frame Bracket C-Channel	
4	TRI-FUNCTIONAL® II Bushing Kit		
4A	HENS-6914	Welded Alignment	
4B	HENS-24691	QUIK-ALIGN®	
5	HENS-21099	Bushing Tube Spacer	
6	Pivot Bolt Kit		
6A	HENS-3646	Welded Alignment	
6B	HENS-24679	QUIK-ALIGN®	
7	Alignment Collars		
7A	HENS-2770	Welded Alignment	
7B	HENS-20925	Eccentric: Outer	
7C	HENS-20924	Concentric: Inner	
8	HENS-21140-4	U-Bolt Kit	
9	HENS-2212	Shock Absorber	

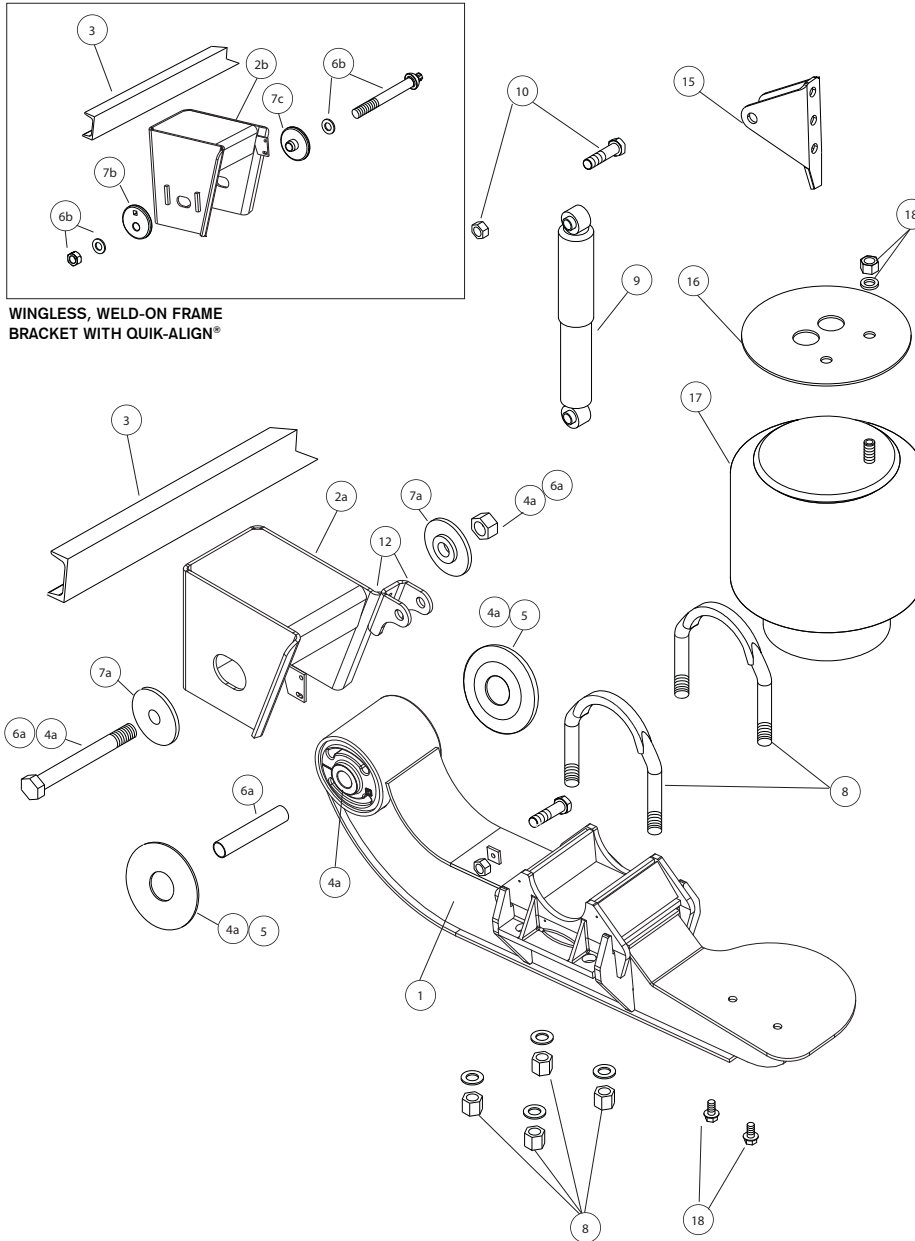
Item	Part Number	Description
10	HENS-20031-2	Shock Bolt Kit
12	HENS-20069	Lower Shock Clevis
13	Air Spring Shock Mount	
	HENC-21212-1	Roadside
	HENC-21212-2	Curbside
	HENC-21213-1	Roadside
	HENC-21213-2	Curbside
	HENC-21214-1	Roadside
	HENC-21214-2	Curbside
	HENC-21216-1	Roadside
	HENC-21216-2	Curbside
	HENC-21217-1	Roadside
	HENC-21217-2	Curbside
	HENC-21218-1	Roadside
	HENC-21218-2	Curbside
	HENC-21219-1	Roadside
	HENC-21219-2	Curbside
	HENC-21220-1	Roadside
	HENC-21220-2	Curbside
	HENC-21222-1	Roadside
	HENC-21222-2	Curbside
	HENC-21223-1	Roadside
HENC-21223-2	Curbside	
HENC-21221-1	Roadside	
HENC-21221-2	Curbside	
HENC-25932-1	Roadside	
HENC-25932-2	Curbside	
14	Air Spring Spacer Assembly	
	HENC-21210-3	
	HENC-21210-4	
	HENC-21210-5	
	HENC-21210-6	
15	HENS-20023	S-20023
16	Air Spring	
	HENS-20124	
	HENS-20127	
17	HENS-20033-2	Air Spring Mounting Kit

! NOTE: To determine specific frame bracket needed, contact Hendrickson Technical Services.

^Part included for reference only.

Suspensions

Hendrickson - HT250U



WINGLESS, WELD-ON FRAME BRACKET WITH QUIK-ALIGN®

HENDRICKSON

Suspension Components

SUS

Hendrickson - HT250U

Components

Item	Part Number	Description	
1	Beam Assembly		
	HENS-20335-1	Roadside	
	HENS-20335-2	Curbside	
	HENS-20338-3	Roadside	
	HENS-20338-4	Curbside	
	C-20338-1 ^	Roadside	
	C-20338-2 ^	Curbside	
2	Frame Bracket !		
2A	HENS-20321-1	Roadside	
	HENS-20321-2	Curbside	
	HENS-20322-1	Roadside	
	HENS-20322-2	Curbside	
	HENS-20324-1	Roadside	
	HENS-20324-2	Curbside	
	HENS-20323-1	Roadside	
	HENS-20323-2	Curbside	
	HENS-20717-1	Roadside	
	HENS-20717-2	Curbside	
	HENS-23860-3	Roadside	
	HENS-23860-4	Curbside	
	HENS-22663-1	Roadside	
	HENS-22663-2	Curbside	
	HENS-20357-1	Roadside	
	HENS-20357-2	Curbside	
		S-15019-1 ^	Roadside
		S-15019-2 ^	Curbside
	2B	HENS-22634-1	Roadside
		HENS-22634-2	Curbside
HENS-21688-1		Roadside	
HENS-21688-2		Curbside	
HENS-23859-1		Roadside	
HENS-23859-2		Curbside	
HENS-21926-1		Roadside	
HENS-21926-2		Curbside	
HENS-21927-1		Roadside	
HENS-21927-2		Curbside	
HENS-22581-1		Roadside	
HENS-22581-2		Curbside	
HENS-23859-1		Roadside	
HENS-23859-2		Curbside	

Item	Part Number	Description
3	HENA-1631-19	Frame Bracket C-Channel
4	TRI-FUNCTIONAL® II Bushing Kit	
4A	HENS-6914	Welded Alignment
4B	HENS-24691	QUIK-ALIGN®
5	HENS-21099	Bushing Tube Spacer
6	Pivot Bolt Kit	
6A	HENS-3646	Welded Alignment
6B	HENS-24679	QUIK-ALIGN®
7	Alignment Collars	
7A	HENS-2770	Welded Alignment
7B	HENS-20925	Eccentric: Outer
7C	HENS-20924	Concentric: Inner
8	HENS-3650-4	U-bolt Kit
9	Shock Absorber	
	HENS-20002	
	HENS-21553	
	HENS-1667	
	HENS-2212	
	HENS-20126	
	HENS-2160	
10	HENS-2157-2	Shock Bolt Kit
12	HENS-20113	Upper Shock Clevis
15	HENS-20023	Upper Shock Bracket
16	Air Spring Plate	
	HENS-21209	
	HENB-21211	
	C-11134 ^	
17	Air Spring	
	HENS-20124	
	HENS-20127	
	S-20413 ^	
	HENS-20414	
	HENS-20716	
	HENS-13122	
	HENS-14249	
18	Air Spring Mounting Kit	
	HENS-20033-2	
	HENS-4903-2	
	HENS-1981-2	

Suspension Components

HENDRICKSON

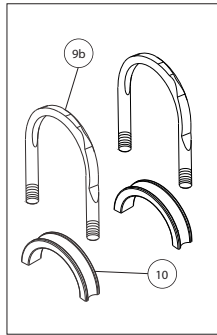
SUS

! NOTE: To determine specific frame bracket needed, contact Hendrickson Technical Services.

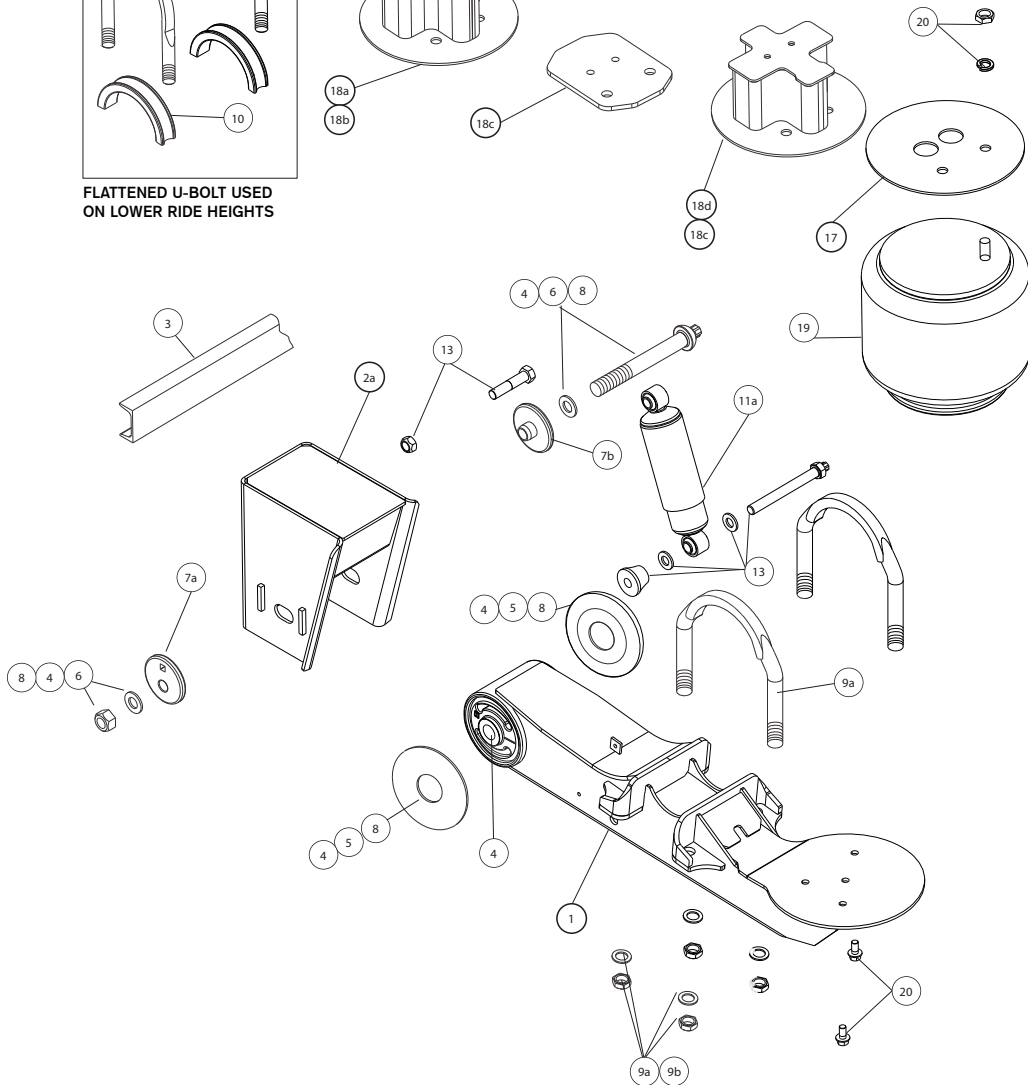
^Part included for reference only.

Suspensions

Hendrickson - HT250US



FLATTENED U-BOLT USED ON LOWER RIDE HEIGHTS



Hendrickson - HT250US

Components

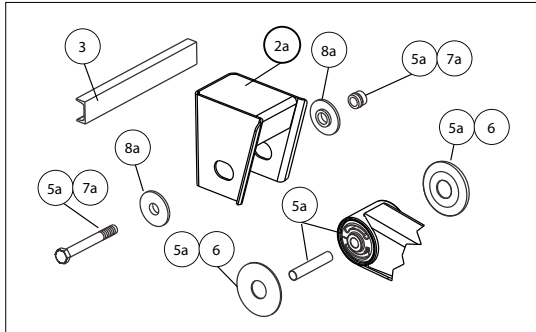
Item	Part Number	Description
1	Beam Assembly	
	HENS-24186-1	Roadside
	HENS-24186-2	Curbside
2	Frame Bracket Assembly	Overall Height
2A	HENS-23848-1	Roadside, 8 in.
	HENS-23848-2	Curbside, 8 in.
	HENS-22826-1	Roadside, 11-1/2 in.
	HENS-22826-2	Curbside, 11-1/2 in.
	HENS-22826-3	Roadside, 13-1/2 in.
	HENS-22826-4	Curbside, 13-1/2 in.
	HENS-22827-1	Roadside, 13-1/2 in.
	HENS-22827-2	Curbside, 13-1/2 in.
	HENS-23166-1	Roadside, 11-1/2 in.
	HENS-23166-2	Curbside, 11-1/2 in.
	HENS-22826-1	Roadside, 11-1/2 in.
	HENS-22826-2	Curbside, 11-1/2 in.
	HENS-22827-3	Roadside, 13-1/2 in.
	HENS-22827-4	Curbside, 13-1/2 in.
	HENS-22828-1	Roadside, 15-1/2 in.
	HENS-22828-2	Curbside, 15-1/2 in.
	HENS-22828-3	Roadside, 15-1/2 in.
	HENS-22828-4	Curbside, 15-1/2 in.
	HENS-22829-1	Roadside, 17-1/2 in.
	HENS-22829-2	Curbside, 17-1/2 in.
	HENS-22829-3	Roadside, 17-1/2 in.
	HENS-22829-4	Curbside, 17-1/2 in.
3	HENA-1631-19	Frame Bracket C-Channel
4	HENS-24691	TRI-FUNCTIONAL® II Bushing Kit
5	HENS-21099	Bushing Tube Spacer
6	HENS-24679	Pivot Bolt Kit
7	Alignment Collars	
7A	HENS-20925	Eccentric: Outer
7B	HENS-20924	Concentric: Inner
8	HENS-26369	Bushing Tube Spacer Kit
9	U-Bolt Kit	
9A	HENS-21140-4	19-1/2 in. or Larger Tires
9B	HENS-22894-4	17-1/2 in. Tires
10	HENS-20701	Axle Spacers
11	Shock Absorbers	Ride Height - Type
11A	HENS-23548	3-1/2 in. to 4 in. - Standard
	HENS-23650	5-1/2 in. to 6-1/2 in. - Standard
	HENS-23649	7-1/2 in. to 14 in. - Standard
	HENS-23744	5-1/2 in. to 6-1/2 in. - Standard, High Damping
	HENS-23743	7-1/2 in. to 14 in. - Standard, High Damping

Item	Part Number	Description
11A	HENS-23649	6-1/2 in. to 12 in. - Limited
	HENS-23743	6-1/2 in. to 12 in. - Ltd., High Damping
	HENS-23651	6-1/2 in. - Extended
	HENS-24579	6-1/2 in. - Extended, High Damping
13	Shock Bolt Kit	
	HENS-24024	Standard
	HENS-2157-2	Remote
14	Remote Shock Mount	
14A	HENA-5431	Upper Assembly
14B	HENS-2723	Lower Assembly
17	Air Spring Mounting Plate	
	HENS-21209	Weld-on
	S-21211[^]	Bolt-on
18	Air Spring Spacer Assembly	
18A	HENC-21210-3	12 in. - Weld-on, Standard
	HENC-21210-5	14 in. - Weld-on, Standard
18B	HENC-21210-1	6-1/2 in. & 7-1/2 in. - Weld-on, Limited
	HENC-21210-3	9 in. - Weld-on, Limited
	HENC-21210-5	12 in. - Weld-on, Limited
18C	B-22990-1[^]	5-1/2 in. & 9 in. - Bolt-on, Standard
	HENC-21215-3	12 in. - Bolt-on, Standard
	HENC-21215-5	14 in. - Bolt-on, Standard
18D	HENC-21215-1	6-1/2 in. & 7-1/2 in. - Bolt-on, Limited
	HENC-21215-3	9 in. - Bolt-on, Limited
	HENC-21215-5	12 in. - Bolt-on, Limited
19	Air Spring	Ride Height - Mount
	HENS-20010	4 in. - Standard
	HENS-20223	3-1/2 in. & 4 in. - Standard
	HENS-20127	5-1/2 in. & 14 in. - Standard
	HENS-20716	6-1/2 in. - Standard
	HENS-20124	7-1/5 in. to 14 in. - Standard
	HENS-20414	5-1/2 in. to 14 in. - Rotated
	S-20413[^]	7-1/2 in. to 14 in. - Rotated
20	Air Spring Mounting Kit	
	HENS-20033-2	Weld-on, Standard & Limited
	S-23123-2[^]	5-1/2 in. to 9 in. - Bolt-on, Standard

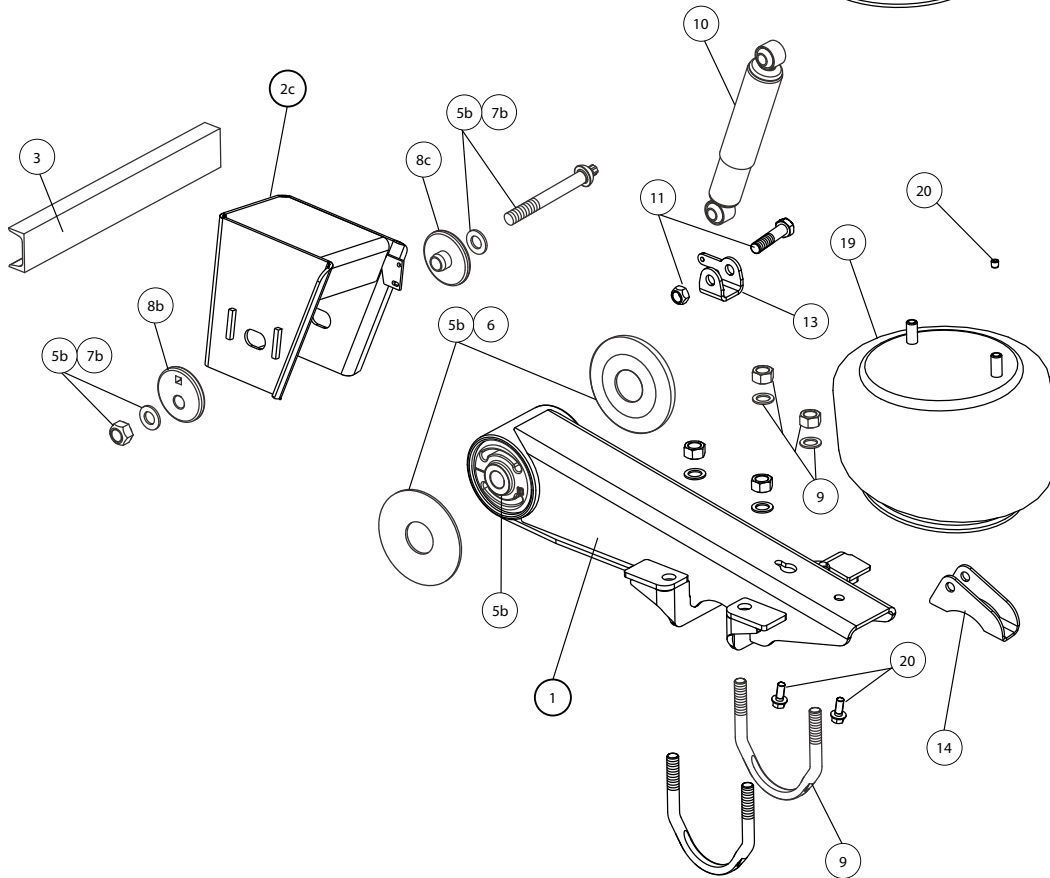
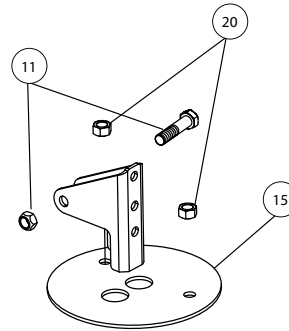
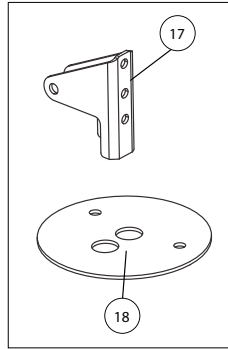
[^]Part included for reference only.

Suspensions

Hendrickson - HT300T



WINGLESS, WELD-ON FRAME
BRACKET, WELDED ALIGNMENT



Hendrickson - HT300T

Components

Item	Part Number	Description
1	Beam Assembly	
	HENS-20186-1	Roadside
	HENS-20186-2	Curbside
2	Frame Bracket !	
	2A	
	HENS-20196-1	Roadside
	HENS-20196-2	Curbside
	HENS-20197-1	Roadside
	HENS-20197-2	Curbside
	HENS-20286-1	Roadside
	HENS-20286-2	Curbside
	HENS-20065-1	Roadside
	HENS-20065-2	Curbside
	HENS-21123-1	Roadside
	HENS-21123-2	Curbside
	HENS-14190-1	Roadside
	HENS-14190-2	Curbside
	HENS-21454-1	Roadside
	HENS-21454-2	Curbside
	HENS-21150-1	Roadside
	HENS-21150-2	Curbside
	HENS-21122-1	Roadside
	HENS-21122-2	Curbside
2C	HENS-23790-1	Roadside
	HENS-23790-2	Curbside
	HENS-24635-1	Roadside
	HENS-24635-2	Curbside
	HENS-23461-1	Roadside
	HENS-23461-2	Curbside
	C-23797-1[^]	Roadside
	C-23797-2[^]	Curbside
	HENS-21592-1	Roadside
	HENS-21592-2	Curbside
2F	HENS-25461-1	Roadside
	HENS-25461-2	Curbside
	HENS-25618-1	Roadside
	HENS-25618-2	Curbside
	HENS-25462-1	Roadside
	HENS-25462-2	Curbside
3	HENA-1631-19	Frame Bracket C-Channel
5	TRI-FUNCTIONAL® II Bushing Kit	
5A	HENS-6914	Welded Alignment
5B	HENS-24691	QUIK-ALIGN®
6	HENS-21099	Bushing Tube Spacer
7	Pivot Bolt Kit	
7A	HENS-3646	Welded Alignment
7B	HENS-24679	QUIK-ALIGN®

! NOTE: To determine specific frame bracket needed, contact Hendrickson Technical Services.

[^]Part included for reference only.

Item	Part Number	Description
8	Alignment Collars	
	8A	HENS-2770 Welded Alignment
8B	HENS-20925	Eccentric: Outer
8C	HENS-20924	Concentric: Inner
9	HENS-21140-4	U-Bolt Kit
10	Shock Absorber	
	HENS-20126	
	HENS-2160	
	HENS-21553	
	HENS-24579	
	HENS-21699	
11	Shock Bolt Kit	
	HENS-20031-2	
	HENS-20218-2	
	HENS-2157-2	
13	HENS-20069	Lower Shock Clevis
14	HENS-2723	Lower Shock Bracket
15	Air Spring Shock Mount	
	HENC-20199-1	Roadside
	HENC-20199-2	Curbside
	HENC-20191-1	Roadside
	HENC-20191-2	Curbside
	HENC-20191-3	Roadside
	HENC-20191-4	Curbside
	HENC-21453-1	Roadside
	HENC-21453-2	Curbside
	HENC-20188-3	Roadside
	HENC-20188-4	Curbside
	HENC-20195-3	Roadside
	HENC-20195-4	Curbside
	C-20708-1[^]	Roadside
C-20708-2[^]	Curbside	
HENC-24496-1	Roadside	
HENC-24496-2	Curbside	
C-24595-1[^]	Roadside	
C-24595-2[^]	Curbside	
C-24497-1[^]	Roadside	
C-24497-2[^]	Curbside	
17	Upper Shock Bracket	
	HENC-21797-1	Roadside
	HENC-21797-2	Curbside
	C-24591-1[^]	Roadside
	C-24591-2[^]	Curbside
18	Air Spring Plate	
	HENC-20192	
	HENC-20193	
19	HENS-4771	Air Spring
20	HENS-4903-2	Air Spring Mounting Kit

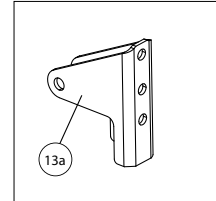
Suspension Components

HENDRICKSON

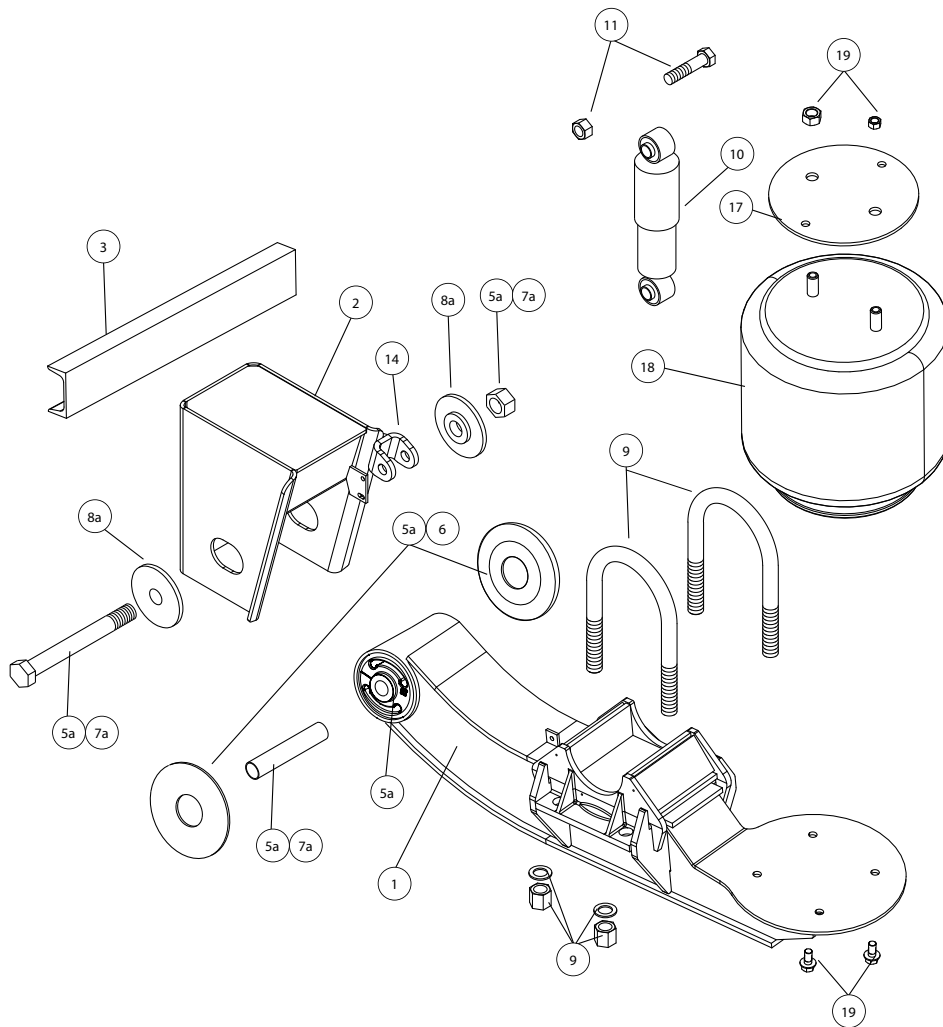
SUS

Suspensions

Hendrickson - HT300U



REMOTE SHOCK MOUNT



HENDRICKSON

Suspension Components

SUS

Hendrickson - HT300U

Components

Item	Part Number	Description
1	Beam Assembly	
	HENS-20252-1	Roadside
	HENS-20252-2	Curbside
2	Frame Bracket !	
2A	HENS-20268-1	Roadside
	HENS-20268-2	Curbside
	HENS-20269-1	Roadside
	HENS-20269-2	Curbside
	HENS-20270-1	Roadside
	HENS-20270-2	Curbside
	HENS-20271-1	Roadside
	HENS-20271-2	Curbside
	HENS-22777-1	Roadside
	HENS-22777-2	Curbside
	HENS-22779-1	Roadside
	HENS-22779-2	Curbside
	HENS-22511-1	Roadside
	HENS-22511-2	Curbside
	HENS-20914-1	Roadside
	HENS-20914-2	Curbside
	S-21367-1 ^	Roadside
	S-21367-2 ^	Curbside
	HENS-21380-1	Roadside
	HENS-21380-2	Curbside
	HENS-22778-1	Roadside
	HENS-22778-2	Curbside
	HENS-23408-1	Roadside
	HENS-23408-2	Curbside
3	HENA-1631-19	A-1631-19
5	TRI-FUNCTIONAL® II Bushing Kit	
5A	HENS-6914	Welded Alignment
5B	HENS-24691	QUIK-ALIGN® (Not Shown)
6	HENS-21099	Bushing Tube Spacer
7	Pivot Bolt Kit	
7A	HENS-3646	Welded Alignment
7B	HENS-24679	QUIK-ALIGN® (Not Shown)
8	Alignment Collars	
8A	HENS-2770	Welded Alignment
8B	HENS-20925	Eccentric: Outer (Not Shown)
8C	HENS-20924	Concentric: Inner (Not Shown)

Item	Part Number	Description
9	HENS-3650-4	U-Bolt Kit
10	Shock Absorber	
	HENS-20126	
	HENS-21699	
11	HENS-2157-2	Shock Bolt Kit
13	Remote Shock Mount	
13A	HENC-21797-1	Roadside
	HENC-21797-2	Curbside
	HENA-5431	
14	HENS-2592	Upper Shock Clevis
17	HENA-24966	Air Spring Plate
18	Air Spring	
	HENS-3830	
	HENS-22173	
19	Air Spring Mounting Kit	
	HENS-1981-2	
	S-20313/2 ^	

! NOTE: To determine specific frame bracket needed, contact Hendrickson Technical Services.

^Part included for reference only.

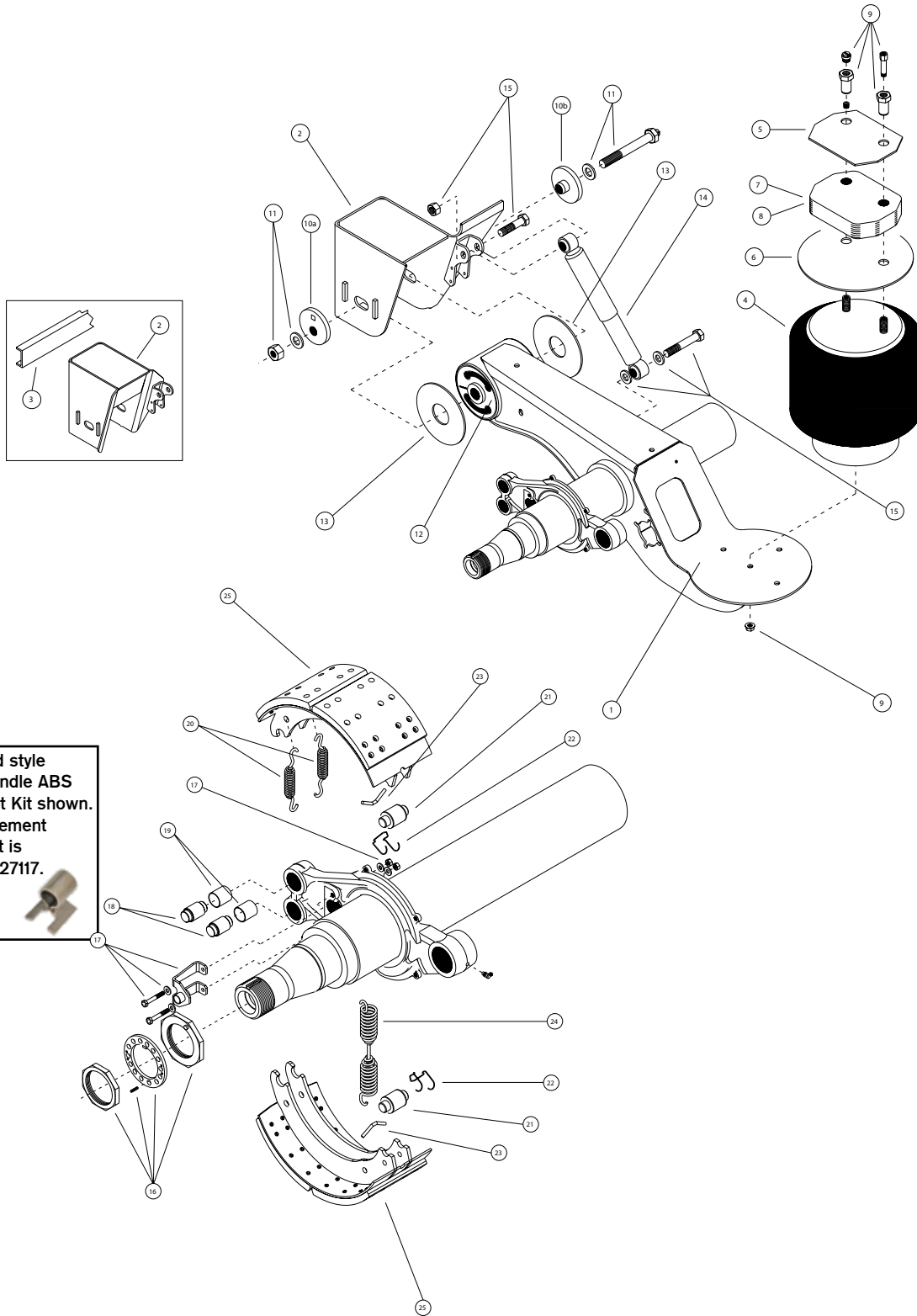
Suspension Components

HENDRICKSON

SUS

Suspensions

Hendrickson - INTRAAX AA230L



17 - Old style
HP Spindle ABS
Bracket Kit shown.
Replacement
bracket is
HENS-27117.



SUS Suspension Components

SUS

Hendrickson - INTRAAX AA230L

Components

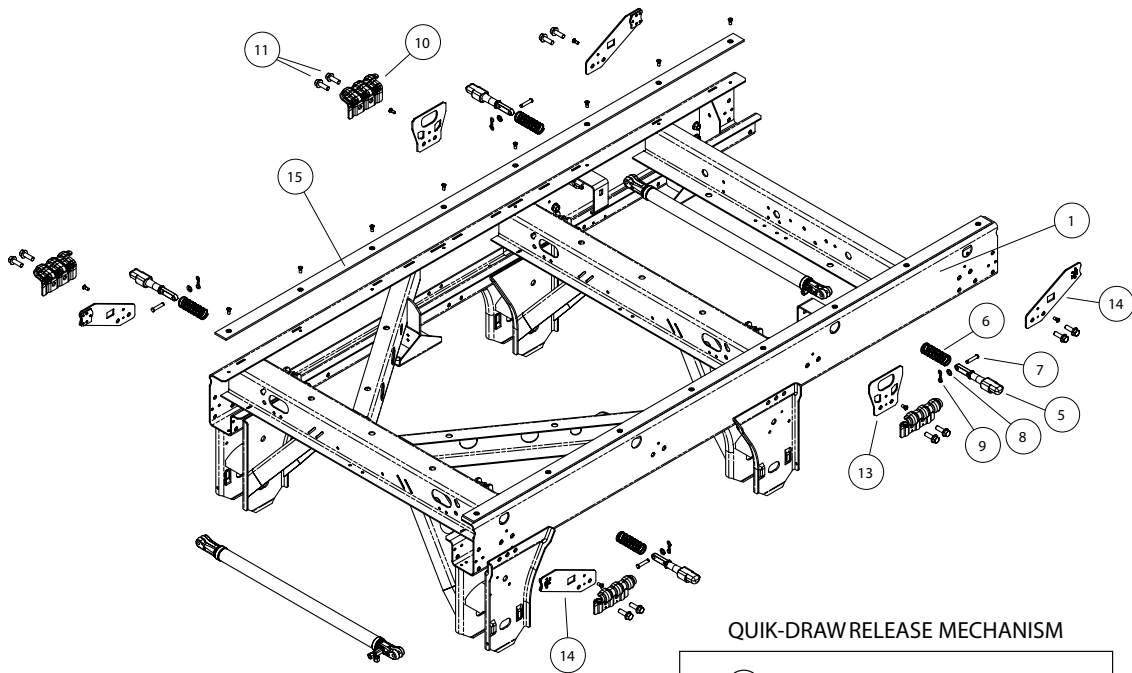
Item	Part Number	Description
1		Axle/ Beam Weldment
2		Frame Bracket
3	HENA-1631-19	Frame Bracket Channel
4	Air Spring	Ride Height
	HENS-23720	6-1/2 in. to 8 in.
	HENS-23613	8-1/2 in. to 10 in.
	HENS-23614	10-1/2 in. to 21 in.
	HENS-23721	6-1/2 in. to 8 in.
	HENS-23611	8-1/2 in. to 10 in.
	HENS-23612	10-1/2 in. to 21 in.
5	Air Spring Mounting Plate	
	B-20905[^]	Weld-On, Octagonal
	B-23294[^]	Weld-On, Round - 12 in.
	HENB-21145	Bolt-On
	HENB-22390	Bolt-On
	HENB-21715	Bolt-On
6	B-23294[^]	Lower Air Spring Plate
7	Air Spring Spacer	Thickness
	HENB-22510-1	Plastic: 1-1/8 in.
	HENB-22510-2	Plastic: 1-7/8 in.
	HENB-22510-3	Plastic: 3-1/8 in.
	HENB-22510-4	Plastic: 3/4 in.
8	Air Spring Spacer Assembly	
	C-24077-6[^]	Weld-On: 5-5/16 in.
	C-24077-8[^]	Weld-On: 7-5/16 in.
	C-24077-9[^]	Weld-On: 4-13/16 in.
	C-24077-10[^]	Weld-On: 9-1/4 in.
	C-24077-11[^]	Weld-On: 10-3/4 in.
	C-24079-2[^]	Bolt-On: 5-9/16 in.
	C-24079-4[^]	Bolt-On: 7-9/16 in.
	C-24079-5[^]	Bolt-On: 5-1/16 in.
	C-24079-6[^]	Bolt-On: 9-1/2 in.
	C-24079-7[^]	Bolt-On: 11 in.
9	Air Spring Mounting Kit	
	HENS-22619-2	
	HENS-22630-2	
	HENS-22631-2	
	HENS-22632-2	
	HENS-22635-2	
10	Alignment Collars	
10A	HENS-20925	Eccentric
10B	HENS-20924	Concentric

Item	Part Number	Description
11	HENS-24679	QUIK-ALIGN [®] Pivot Bolt Kit
12	HENS-24691	QUIK-ALIGN [®] Pivot Bushing Kit
13	HENS-21099	Bushing Wear Pad
14	Shock Absorber	Ride Height - Type
	HENS-23651	6-1/2 in. to 8 in. - Standard
	S-23290[^]	8-1/2 in. to 10 in. - Standard
	HENS-23566	10-1/2 in. to 15 in. - Standard
	HENS-2212	15-1/2 in. to 21 in. - Standard
	S-22312[^]	6-1/2 in. to 8 in. - Ext., High Damping
	S-23291[^]	8-1/2 in. to 10 in. - Ext., High Damping
	S-23014[^]	10-1/2 in. to 15 in. - Ext., High Damping
	HENS-23316	15-1/2 in. to 21 in. - Ext., High Damping
15	HENS-24757-2	Shock Absorber Bolt Kit
16	Axle Nut Kit	
	HENS-20492-2	HN Spindle Type
	HENS-20475-2	HP Spindle Type
17	Abs Bracket Kit	
	HENS-27117	HN Spindle Type
	S-21070[^]	HP Spindle Type
18		Anchor Pin
19		Anchor Pin Bushing
20		Brake Retaining Spring
21		Brake Shoe Roller
22		Roller Retainer
23		Return Spring Pin
24		Brake Return Spring
25	Brake Shoe	
	HENS-21266-1	16-1/2 in. x 7 in. Standard
	HENS-21184-1	16-1/2 in. x 7 in. Standard
	HENS-23750-1	16-1/2 in. x 7 in. HXS™
	HENS-23750-3	16-1/2 in. x 7 in. HXS™
	HENS-23753-1	16-1/2 in. x 7 in. HXS™
	HENS-23753-3	16-1/2 in. x 7 in. HXS™
	HENS-23751-1	16-1/2 in. x 8-5/8 in. HXS™
	HENS-23751-3	16-1/2 in. x 8-5/8 in. HXS™
	HENS-23754-1	16-1/2 in. x 8-5/8 in. HXS™
	HENS-23754-3	16-1/2 in. x 8-5/8 in. HXS™

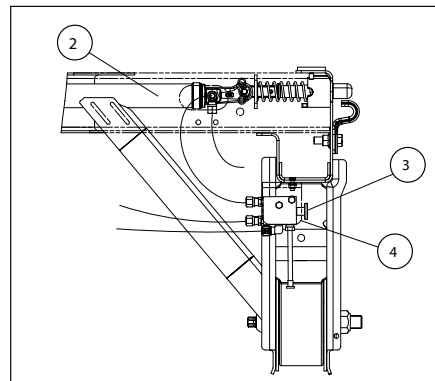
[^]Part included for reference only.

Suspensions

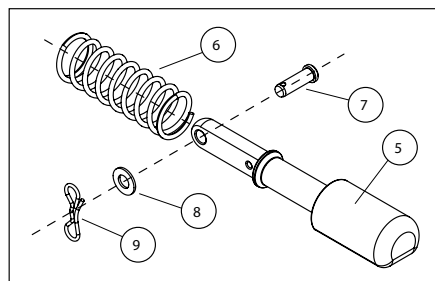
Hendrickson - ULTRAA-K



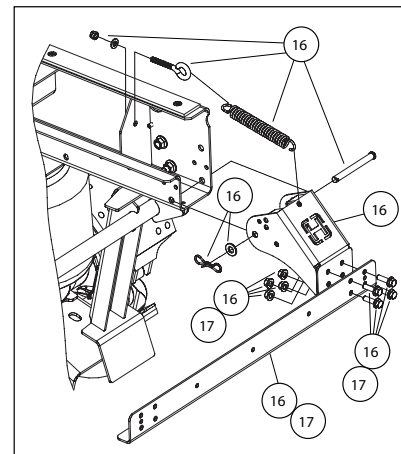
QUIK-DRAW RELEASE MECHANISM



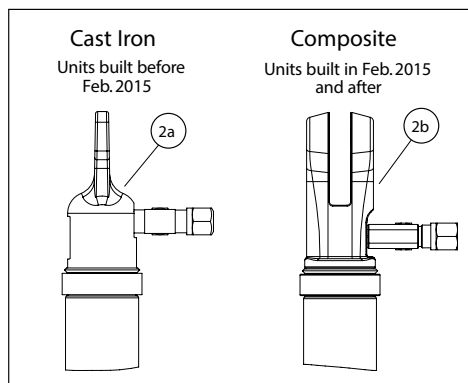
SLIDER PIN



MUD FLAP MOUNTING



QUIK-DRAW ACTUATOR ENDS



HENDRICKSON

Suspension Components

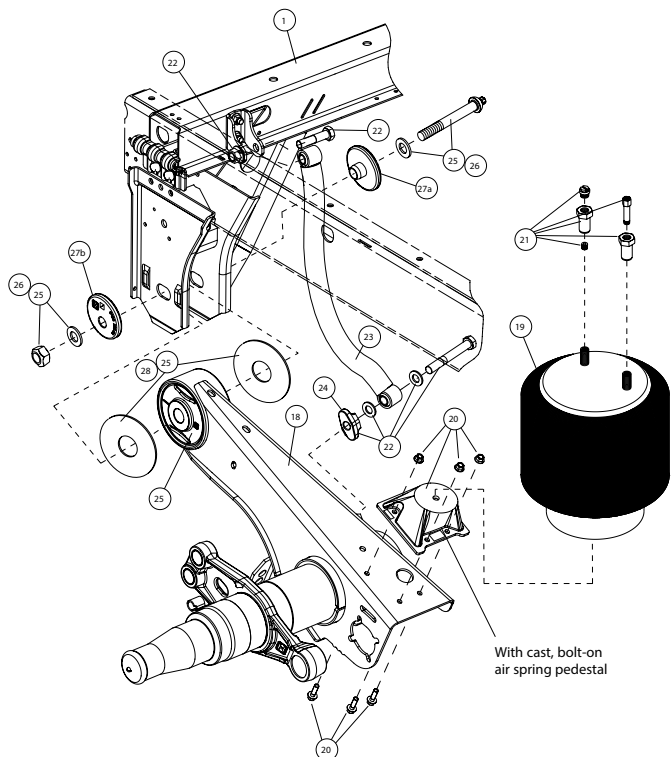
SUS

Hendrickson - ULTRAA-K

Components

Item	Part Number	Description
1	HENAMBOX.##	Aftermarket Slider Box Replacement
2	Quik-Draw Pneumatic Pin-Pull Mechanism	
	HENS-28061-2	Cast Iron, Front Linear Actuator
	HENS-28062-2	Cast Iron, Rear Linear Actuator
	HENS-35294-2	Composite, Front Linear Actuator
	HENS-35295-2	Composite, Front Linear Actuator
3	Quik-Draw Valve	
	HENVS-25223	Three-way Auto Reset Valve
	HENVS-25224	Three-way Auto Reset Valve Assembly with Fittings
4	S-34885[^]	Quik-Draw Bracket Kit
5	Locking Pin	
	HENS-32389	1-3/8 in. Diameter Pin
	HENS-32389	1-3/8 in. Diameter Pin
	HENS-32388	1-5/8 in. Diameter Pin
6	HENB-32500	Locking Pin Spring, 4-1/2 in.
7	Clevis Pin	
	HENSA-5200-8	Cast Iron End, 3/8 in. x 1-5/32 in.
	SA-5200-10[^]	Composite End, 3/8 in. x 1-13/16 in.
8	HENSA-1500-2	Locking Pin Washer, 3/8 in. I.D.
9	HENA-29557	Locking Pin Link Cotter Pin, 3/32 in. x 1 in.

Item	Part Number	Description
10	Body Rail Clip	Clip Height
	HENS-24459	3-13/32 in., use with 4 in. Hole Centers
	HENS-24460	3-13/16 in., use with 6 in. Hole Centers
11	HENSA-6900-2	Body Rail Flanged Bolt, 1/2 in.-13 x 1-1/2 in.
12	Body Rail Clip Spacer	
	A-21282[^]	1-1/2 in. Clip Hole Centers
	HENA-22367	2 in. Clip Hole Centers
13	Bolt-On Shim	Thickness
	S-34860[^]	3/16 in., 6 in. Body Rail Hole Spacing
	S-34860[^]	3/16 in., 4 in. Body Rail Hole Spacing
	S-34859[^]	15/64 in., 6 in. Body Rail Hole Spacing
	S-34859[^]	15/64 in., 4 in. Body Rail Hole Spacing
14	Bolt-On End Stop	4 in. Body Rail Hole Spacing Only
	S-34821-1[^]	3/16 in. Thickness, Left Front & Right Rear
	S-34821-2[^]	3/16 in. Thickness, Right Front & Left Rear
	S-35761-1[^]	15/64 in. Thickness, Left Front & Right Rear
	S-35761-2[^]	15/64 in. Thickness, Right Front & Left Rear
15	HENS-14342-3	Slider Wear Pad Kit
16	S-348886[^]	Mudflap Bracket Kit
17	HENS-35021	Mudflap Angle Kit
18	HTRAAX.###	Half-TRAAX Axle/Beam Weldment
19	HENS-34733	ZMD Air Spring
20	HENS-27447-1	Cast Air Spring Pedestal Kit
21	HENS-22619-2	Air Spring Mounting Kit
22	HENS-24049-2	Downstop Bolt Kit
23	S-33669-2[^]	Downstop
24	HENS-27196	Shock Spacer
25	HENS-26321	Tri-Functional Pivot Bushing Kit
26	HENS-24705	Quik-Align Pivot Bolt Kit
27	Quik-Align Alignment Collars	
	HENS-20924	Concentric, Pivot bolt hole is centered
	HENS-20925	Eccentric, Pivot bolt hole is offset
28	HENS-26807	Bushing Tube Spacer



[^]Part included for reference only.

Hendrickson Components

Subframe

	Hangers	Size	Pin Size	Right Height	Shims	Additional
HENAMBOX.1089	Yes	48 in.	1-5/8 in.	16 in.	No	Quick Draw Air Pin Release
HENAMBOX.884	Yes	48 in.	1-3/8 in.	16 in.	No	Quick Draw Air Pin Release
HENAMBOX.127	Yes	48 in.	1-5/8 in.	16 in.	Yes	Quick Draw Air Pin Release
HENAMBOX.98	Yes	48 in.	1-3/8 in.	16 in.	No	Quick Draw Air Pin Release
HENAMBOX.90	Yes	48 in.	1-5/8 in.	16 in.	No	Quick Draw Air Pin Release
HENAMBOX.22	Yes	48 in.	1-7/8 in.	16 in.	Yes	Quick Draw Air Pin Release



(HENAMBOX.1089)

Frame Bracket

Location	
Roadside	HENS-21028-1
Curbside	HENS-21028-2



(HENS-21028-1 shown)

Frame Bracket

Location	
Roadside	HENS-21082-1
Curbside	HENS-21082-2



(HENS-21082-1 shown)

Frame Bracket

Location	
Roadside	HENS-21179-1
Curbside	HENS-21179-2



(HENS-21179-1 shown)

Front

Frame Bracket

Location	
Roadside	HENS-21590-1
Curbside	HENS-21590-2



(HENS-21590-2 shown)

Front

Frame Bracket

Location	
Roadside	HENS-32194-2L
Curbside	HENS-32194-2R



(HENS-32194-2L shown)

Pivot Bushing Kit HENS-13136



Y Beam

Suspension Components

HENDRICKSON

SUS

Suspensions

Hendrickson Components

Bushing Kit
HENS-24691



QUIK ALIGN[®] Bushing Kit
HENS-26321



Pivot Bushing Kit
HENS-29886



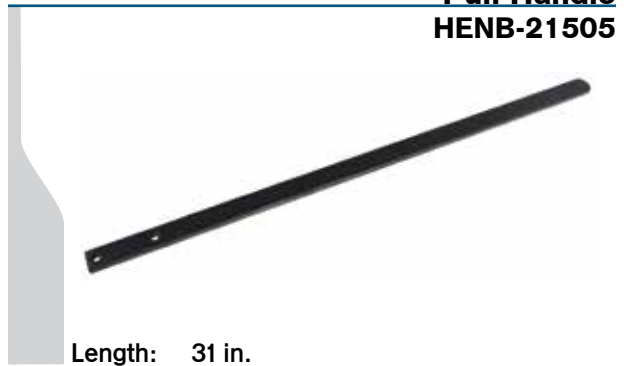
Bushing Kit
HENS-6914



Bushing Tube Spacer
HENS-21099



Pull Handle
HENB-21505



Manual Stop Bar
HENS-14231-8



Manual Stop Bar Assembly
HENS-21477-8



HENDRICKSON
Suspension Components

SUS

Hendrickson Components

Slider Clip
HENS-14108



Hole Center: 1-1/2 in.

Slider Clip
HENS-22366



Hole Center: 2 in.

Slider Clip
HENS-24459



Hole Center: 4 in.

Slider Clip
HENS-24460



Hole Center: 6 in.

Slider Lock Pin
HENS-28289



Diameter: 1-5/8 in.
Length: 8-1/4 in.

Slider Lock Pin
HENS-28290



Diameter: 1-3/8 in.
Length: 8-1/4 in.

Locking Pin
HENS-32388



Diameter: 1-5/8 in.
Length: 8 in.

Locking Pin
HENS-32389



Diameter: 1-3/8 in.
Length: 8 in.

Suspension Components

HENDRICKSON

SUS

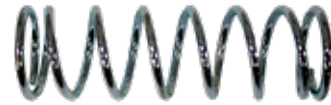
Suspensions

Hendrickson Components

Lock Pin Spring
HENB-28930



Locking Pin Spring
HENB-32500



Spring
HENB-26597



Slider Wear Pad Kit
HENS-14342-3



Disk A/S Bottom
HENS-21786



Thrust Bearing
HENS-21315



QUIK ALIGN® Pivot Bolt Kit
HENS-24680



Pivot Bolt & Washer
HENS-24875



HENDRICKSON

Suspension Components

SUS

Hendrickson Components

Concentric Align Collar
HENS-20924



Eccentric Align Collar
HENS-20925



Bolt Kit
HENS-24705



QUIK ALIGN® Pivot Bolt Kit
HENS-24679



Align Collar
HENS-2770



Pivot Bolt Kit
HENS-3646



10 in. x 1-1/8 in.

Linear Actuator

Location	Part Number
Front	HENS-28061-2
Rear	HENS-28062-2



Length: 48 in.

www.AuroraParts.com

Actuator Kit
HENS-29897



DHS System

Suspension Components

HENDRICKSON

SUS

= Key Items

800.621.7949

Suspension

875

Suspensions

Hendrickson Components

HENS-25593



**Dock Lock Actuator
DANSR1VA-103-1**



**Lift Kit
HENUBL-001**



Under Beam

**Ride Height Lock Assembly
HENS-36186-8**



**Cast Pedestal Kit
HENS-27447-1**



**Lower DST Bracket HCV
HENS-29042**



**Leveling Bracket
HENVS-22477**

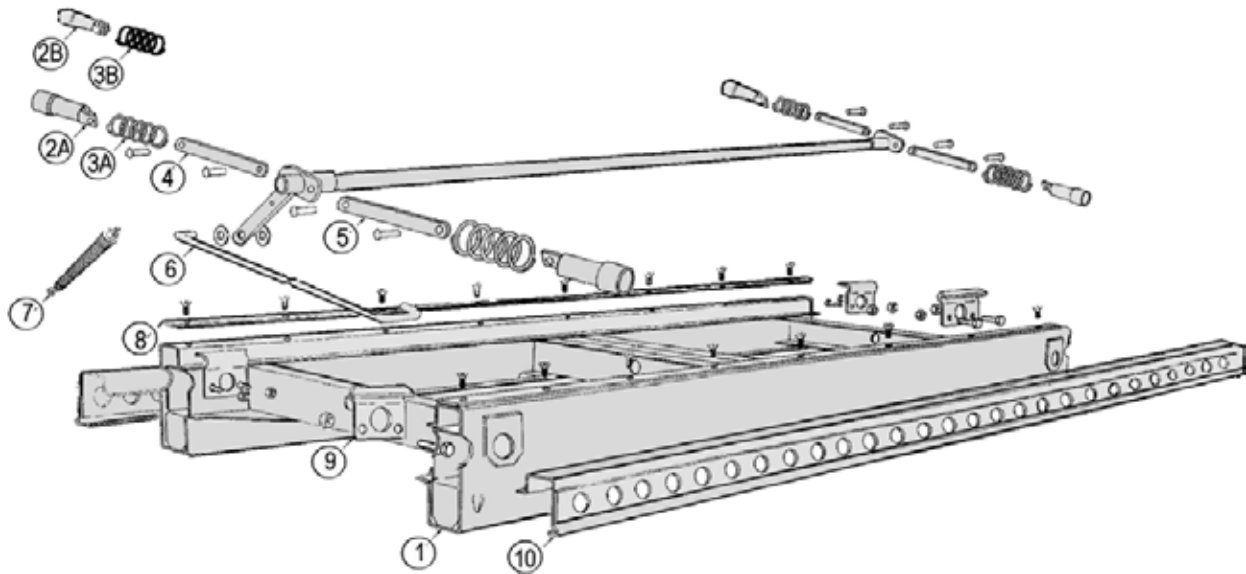


HENDRICKSON

Suspension Components

SUS

Hutch - 8200 Sliding Subframe



Item	Part Number	Description	Frame Width	Spring Centers
1	Subframe Assembly			
	HUTH8200-42	Manufactured After 1989	42 in.	38 in.
	HUTH8200-48	Manufactured Prior to 1989 (Not Shown)	48 in.	44 in.
2	Lock Pin			
2A	HUT16006-01	Manufactured After 1989		
2B	HUT11410-00	Manufactured Prior to 1989 (Not Shown)		
3	Compression Spring			
3A	HUT12779-01	Manufactured After 1989		
3B	HUT8098-01	Manufactured Prior to 1989 (Not Shown)		
4	Link Strap		Frame Width	
	HUT11412-08	Manufactured After 1989	42 in.	
	11412-5[^]	Manufactured Prior to 1989 (Not Shown)	48 in.	

Item	Part Number	Description	Spring Centers
5	HUT11412-05	Link Strap (after 1989)	
6	HUT12781-01	Pull Handle (after 1989)	
7	HUT8018-02	Spring	
8	HUT11421-01	Splider Pad - 1/4 in. x 2 in. x 96 in.	
9	HUT11420-00	Hold Down Clip	
10	Slider Rail		
	HUT18150-07	192 in.	
	HUT18150-13	216 in.	

[^]Part included for reference only.

Hutch

Identification Tag

	HUTCHENS INDUSTRIES, INC. SPRINGFIELD, MISSOURI, USA
PART NO.	
DATE OF MFG.	
S/N	
<small>THIS PRODUCT IS COVERED BY ONE OR MORE OF THE FOLLOWING PATENTS: 5,564,725 5,480,171 4,800,267 2,772,247 2,749,156 2,645,553 2,586,308 3,531,099 3,504,929 3,465,860 3,406,439 3,394,966 3,370,946 3,279,813 3,261,622 3,184,318 3,123,377 2,968,495 2,925,618 2,907,876 2,900,197 WORLD'S LEADING MANUFACTURER OF TRAILER SUSPENSIONS</small>	

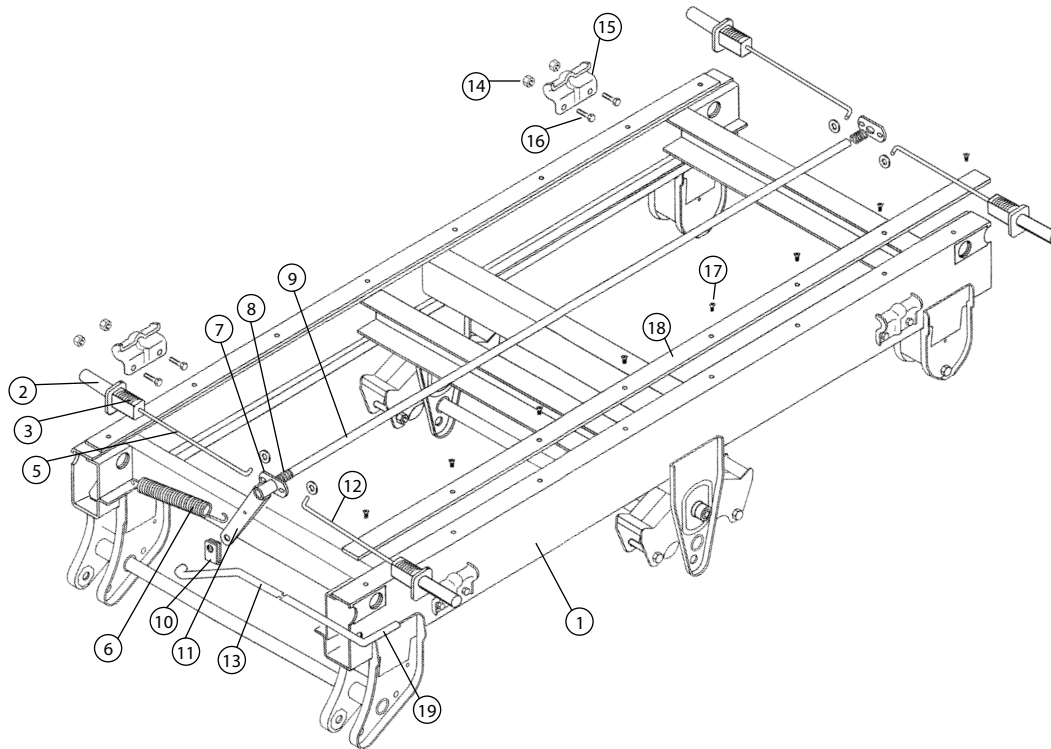
Suspension Components



SUS

Suspensions

Hutch - 9810 Sliding Subframe



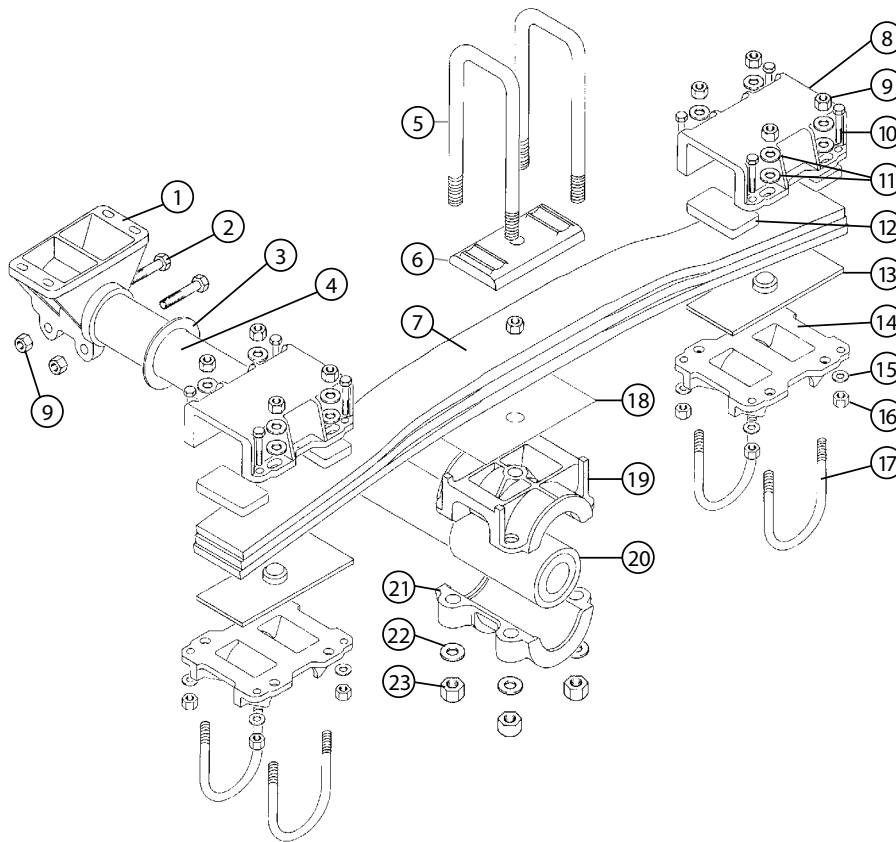
Item	Part Number	Description
1	Subframe Assembly	Frame Width Overall Height
	HUTH9811-42	42 in. 10-1/2 in.
	HUT20335-03	48 in. 8-1/2 in.
	HUTH9811-48	48 in. 10-1/2 in.
2	HUT18426-01	Lock Pin - Cast
3	HUT12779-01	Compression Spring
4	HUT12780-01	Rivet - Pan Head (Not Shown)
5	Link	Length Frame Width
	HUT11412-35	10-7/8 in. 42 in.
	HUT11412-36	16-13/16 in. 48 in.
6	HUT8018-02	Spring - 1 in. x 10-1/8 in.
7	HUT8028-00	Compuller
8	HUT18064-01	Compression Spring
9	HUT8010-14	Pipe - 1 in. x 95 in.
10	HUT11409-01	Handle Clip

11	HUT8026-00	Crank-Puller Kit
12	HUT11412-36	Link - 16-13/16 in.
13	HUT18797-01	Handle Pin Release
14	HUT33-01	Hex Lock Nut: 1/2 in.-20
15	HUT20289-01	Hold Down Clip
16	HUT8040-00	Hex Bolt: 1/2 in.-20 x 1-1/4 in.
17	HUT9627-00	Thread From Screw
18	HUT11421-01	Slider Pad
19	HUT11479	Plastic Hand Grip

Hutch - H-900 Suspension

42-60,000 lbs. unit weight capacity

Overslung Single Point



Item	Part Number	Description
1	HUT10476-03	Trunnion Hanger
2	HUT10376-00	Hex Bolt 3/4 in. - 16 x 4-1/2 in.
3	HUT895-00	Washer 4-1/32 in. ID
4	HUT893-01	Trunnion Tube
5	HUT9639-01	U-Bolt 1-1/16 in. 5-1/8 in. x 12-5/16 in.
6	HUT9640-00	Top Plate
7	PROSU-TRA2750	Spring
8	HUT9937-00	Spring End Cap
9	HUT841-00	Self Locking Hex Nut 3/4 in. - 16
10	HUT9293-00	Hex Bolt 5/8 in. - 18 x 2 in.
11	HUT817-00	Washer 13/16 in. ID
12	HUT814-00	Rubber Pad
13	HUT10608-00	Adjustment Plate
14	HUT9934-02	Spring Seat
15	HUT10273-00	Washer 21/32 in. ID
16	HUT11513-03	Hex Locknut 5/8 in. - 18

Item	Part Number	Description
17	HUT10060-01	U-Bolt
18	HUT12919-01	Galvanized Liner
19	HUT891-00	Trunnion Hub (upper half)
20	HUT890-00	Rubber Bushing
	HUT20248-01	Free Oscillating Bushing
21	HUT898-00	Trunnion Hub
	HUT892-00	Trunnion Hub
22	HUT837-00	Washer 1-1/4 in.
23	HUT836-00	Hex Nut 1-1/8 in. - 12 x 1-1/2 in.
24	HUT10562-00	Flange Locknut
25	HUT820-00	Spring Clamp Plate
26	HUT10488-00	Pressure Plate

Suspension Components



SUS

Suspensions

Hutch Components

H-7700 Fabricated Center Hangers

	Mount	Additional
HUT7702-01	Straddle	Fabricated
HUT7702-02	Under	Fabricated
HUT7702-03	Side	Fabricated
HUT7702-05	Flange	Fabricated, Bolt On



(HUT7702-01)



(HUT7702-02)



(HUT7702-03)



(HUT7702-05)

H-9700 Fabricated Front Hangers

	Location	Mount	Additional
HUT7701-01	-	Straddle	Fabricated
HUT7701-02	-	Under	Fabricated
HUT20729-01	Left Hand	Side	Fabricated
HUT20730-01	Right Hand	Side	Fabricated
HUT7701-07	Left Hand	Flange	Fabricated, Bolt On
HUT7701-08	Right Hand	Flange	Fabricated, Bolt On



(HUT7701-07/
HUT7701-08)



(HUT20729-01/
HUT20730-01)



(HUT7701-02)



(HUT7701-01)

H-9700 Fabricated Center Hangers

	Type	Mount
HUT16169-01	Center	Straddle
HUT16171-01	Center	Under
HUT16178-01	Center	Flange
HUT16319-01	Rocker Assembly	Side
HUT16319-02	Rocker Assembly	Under



(HUT16169-01)



(HUT16178-01)



(HUT16171-01)



(HUT16319-01)



(HUT16319-02)

Hutch Components

H-9700 Fabricated Rear Hangers

	Location	Mount	Additional
HUT7703-01	-	Straddle	
HUT7703-02	-	Under	
HUT16483-01	-	Under	
HUT20733-01	Left Hand	Side	
HUT20734-01	Right Hand	Side	
HUT7703-07	Left Hand	Flange	Bolt On
HUT7703-08	Right Hand	Flange	Bolt On



(HUT7703-01)



(HUT7703-02)



(HUT16483-01)



(HUT20733-01/
HUT20734-01)



(HUT7703-07/
HUT7703-08)

Frame Hanger

Type	Location	
Rear	Left Hand	HUT712-11
Rear	Right Hand	HUT712-12



Mount: Flange, Bolt On
CH-9700

Hanger Washer Bushing

HUT7717-01



Torque Arm Bushing

HUT7620-00



Torque Arm Bushing

HUT722-00



Torque Rod Kit

Kit	Bolt	Bushing	Flange Lock Nut
HUT105627220071902	HUT719-02	HUT722-00	HUT10562-00



(HUT105627220071902)




(HUT722-00)

Suspensions

Hutch Components

Torque Arms

	Length
HUT16398-02	16 in.
HUT16398-04 	19-1/4 in.
HUT16398-08	23-1/2 in.
HUT16398-12	29-1/4 in.



7700 / 9700 Adjustable with bushing HUT722-00

Torque Arm HUT715-00



Length: 19-1/4 in.
7700 / 9700 Fixed with bushing HUT722-00

Equalizer HUT16158-01



Model: 9700 (One Bolt) Description:
Length: 16-1/2 in. 49 in. Axle
Hole Centers: 11-3/4 in. Centers

Equalizer HUT17784-01



Model: CH 9700 (One Bolt) Description:
Length: 16-1/2 in. 49 in. Axle
Hole Centers: 11-3/4 in. Centers

Equalizer HUT19137-01



Model: 7700 (Two Bolt) Description:
Length: 16-1/2 in. 49 in. Axle
Hole Centers: 11-3/4 in. Centers

Equalizer HUT21834-01



Spread: 61 in.

Equalizer HUT24820-01

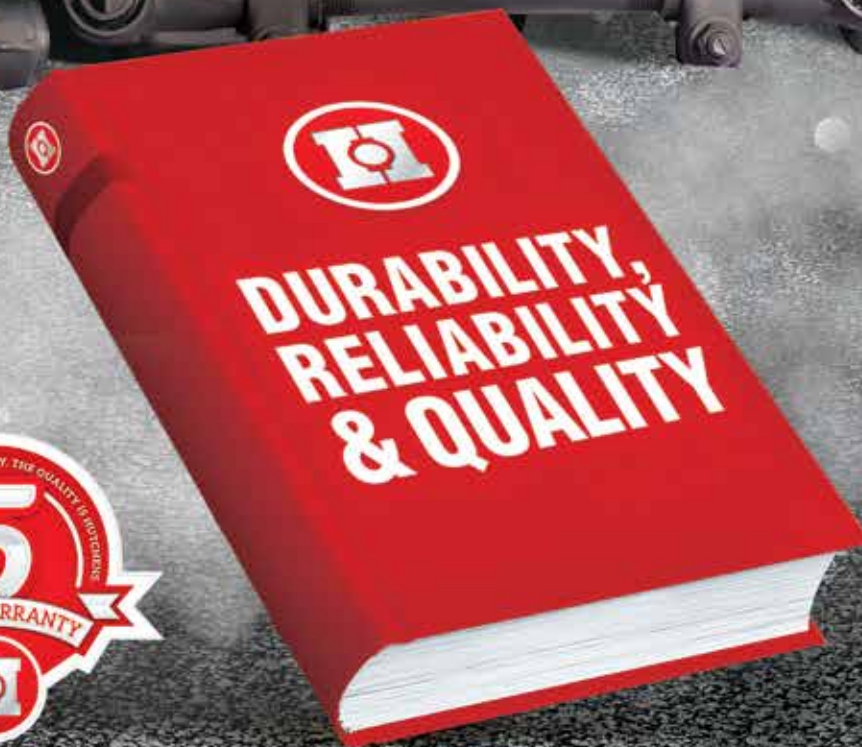


Spread: 54-1/2 in.

Suspension Components



SUS



We wrote the book.

Over 65 years of engineering, quality control and customer service are behind every Genuine Hutch part.

Keep your customer's equipment on the road and spare them the frustration of repetitive downtime and maintenance. The detailed attention to quality in each Genuine Hutch part is critical to the performance, safety and durability of their trailer.

Every Genuine Hutch part is designed to exact OEM specifications and tolerances - to ensure the highest quality components in our suspension systems. We're in it for the long haul!

What does this mean to **your customer**?

- Precise replacement fit**
- Guaranteed reliability**
- Improved productivity**
- Covered by 5-year warranty**



Hutchens Industries

The Difference Is Durability. The Quality Is Hutchens.

For more information, call us toll free at:

1(800)654-8824

www.GenuineHutch.com

Suspensions

Hutch Components

Equalizer
HUT750-03



Equalizer Bolt Kit
HUT10287-01



For: H7700

Replacements

Nut
HUT37-03
Rebound Bolt
HUT759-00

Equalizer Bolt Kit
HUT16353-01



For: H9700

Replacements

Nut
HUT37-03
Locknut
HUT11154-00
Rebound Bolt
HUT759-00

Equalizer Bushing
HUT7010-00



For: H7700

Equalizer Bolt
HUT16150-01



1-1/8 in.-7 x 6-5/8 in.

Equalizer Bushing
HUT18723-01



For: H9700

Pull Handle
HUT11411-00



Length: 29-1/4 in.

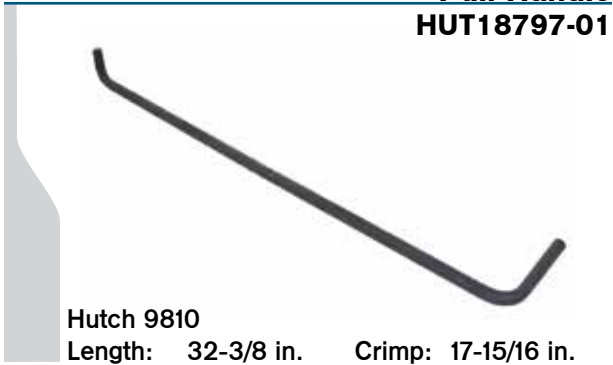
Pull Handle
HUT12781-01



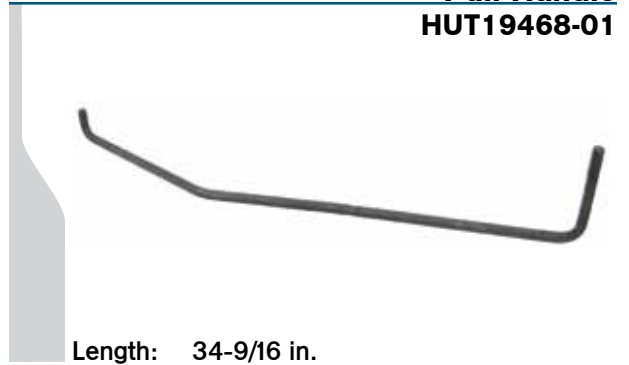
Length: 32-3/4 in.

Hutch Components

**Pull Handle
HUT18797-01**



**Pull Handle
HUT19468-01**



**EZ-Pull Pin Assembly, 48 in. Frame
HUT18945-03**



**EZ-Pull Pin Assembly, 48 in. Frame
HUT19033-03**



**EZ-Pull Pin Assembly
HUT20563-01**



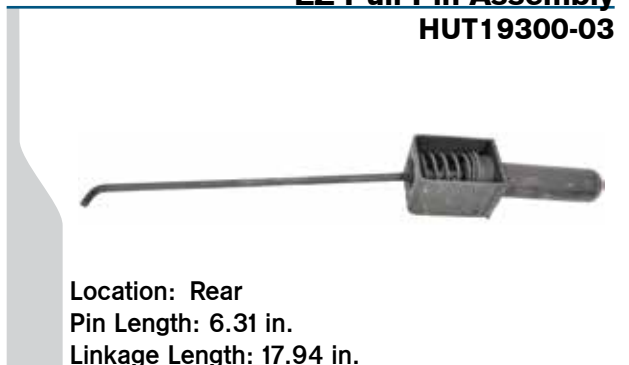
**EZ-Pull Pin Assembly, 48 in. Frame
HUT20635-02**



**EZ-Pull Pin Assembly
HUT19299-03**



**EZ-Pull Pin Assembly
HUT19300-03**



Suspension Components



SUS

Suspensions

Hutch Components

EZ-Pull Repair Kit

For	Size	
RHP11	1-5/8 in.	HUT71091-01
RHP11	1-3/8 in.	71091-03[^]



For: RHP11

EZ-Pull Repair Kit HUT23486-01



Handle Return Spring HUT8018-02



1 in. x 10-1/8 in.

Lock Pin Spring HUT8098-01



Pull Pin Spring HUT8018-01



1 in. x 8-5/8 in.

Lock Pin Spring HUT12779-01



Lock Pin Spring HUT18064-01



Slider Pin HUT12716-01



Diameter: 1.63 in.
Length: 6-11/16 in.


Suspension Components

SUS

Hutch Components

Slider Pin
HUT16006-01



Length: 7-1/2 in.

Lock Pin
HUT18426-01



Length: 7-5/8 in.

Slider Clip
HUT12715-01



Holes: 4 in. Center to Center

Slider Clip
HUT20289-01



Holes: 2-1/4 in. Center to Center

Pull Handle Clip
HUT11409-01



Slider Pin Link
HUT11412-16



Length: 18-5/8 in.

Slider Pin Link
HUT11412-36



Length: 16-13/16 in.

Rubber Pad
HUT814-00



For: Trunnion Cap

Suspension Components



SUS

Suspensions

Hutch Components

Slider Pad
HUT12818-01



Length: 1/4 in. x 4 in. x 5-1/2 in.

Slider Pad
HUT11421-01



1/4 in. x 2 in. x 96 in.

Slider Rail
HUT12713-14



Thickness: 0.229 in.
Length: 216 in.

Slider Rail
HUT12713-17



Thickness: 0.229 in.
Length: 240 in.

Top Plate
HUT16868-01



Bottom Plate
HUT706-01



Underslung
Axle: 5 in. Round

Bottom Plate
HUT710-00



U-Bolts: 7/8 in.
Axle: 5 in. Round

Bottom Plate
HUT16297-01



U-Bolts: 3/4 in.
Axle: 5 in. Round

Hutchens Industries
The Difference is Excellence. The Standard is Innovation.

Suspension Components

SUS

Hutch Components

Reinforcement Plate
HUT20581-01



0.275 in. x 2-1/2 in. x 12 in.

Wear Plate
HUT19075-01



5/16 in. x 3 in. x 4-5/8 in.

Hanger Wear Plate
HUT755-03



Pin Puller Cam
HUT8028-00



Pipe 1-1/4 in.

Air Cylinder
HUT19515-01



For: P3

Key Hole Bracket
HUT11659-03



Cam Pipe
HUT405-37



Diameter: 1-1/4 in.
Length: 49-3/4 in.

Pipe
HUT8010-14



1 in. x 95 in.

Suspension Components



SUS

Suspensions

Hutch Components

Stop Bar
HUT11642-07



Frame Width: 48 in.
Tube: 45-1/2 in.

Stop Bar
HUT11642-10



Frame Width: 48 in.
Tube: 46 in.

Spring Seat
HUT19360-01



3/4 in.
5 in. Round

Spring Seat
HUT19360-02



1-1/4 in.
5 in. Round

Spring Seat
HUT19360-03



1-3/4 in.
5 in. Round

Spring Seat
HUT19360-04



2-1/4 in.
5 in. Round

Spring Seat
HUT19360-06



3-1/4 in.
5 in. Round

Spring Seat
HUT301-01



3/4 in.

Hutch Components

Spring Seat
HUT9934-02



Overslung
5 in. Round

Spring Liner
HUT17350-01



Material: Galvanized Steel

Sleeve Spring Bolt Spacer
HUT756-00



3/4 in. OD x 18 GA x 3-1/4 in.

Spacer Block
HUT7030-00



Material: Steel
1/4 in. x 3 in. x 7-9/16 in.

Hex Bolt
HUT719-02



Torque Arm Bolt
1 in.-14 x 5 in.

Spring End Cap
HUT9937-00



Suspension Components



SUS

More Information

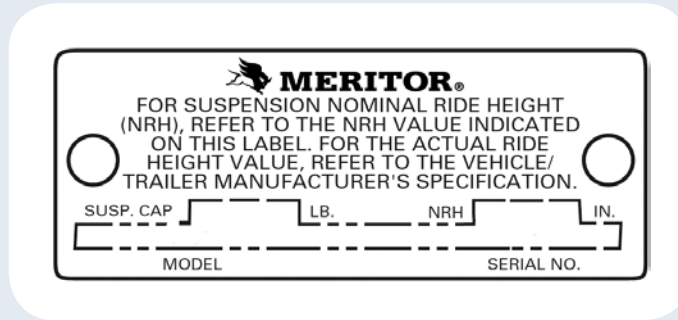
www.MyAuroraPlus.com

Need more information on a particular trailer? Log into www.MyAuroraPlus.com for Aurora's Graphical Bill of Material (GBOM). Easily point and click through visual elements of a trailer to drill down to an individual trailer part.

Suspensions

Meritor

Identification Tag



RFS23 ET 14 LXXXX

MODEL

RIDE HEIGHT

SEQUENCE NUMBER

BRAKE TYPE

L	Q+
Q	Q

RHPXX TN XXXX

MODEL

AXLE TYPE

SEQUENCE NUMBER

MPAXX S XX XX XXXX

MTA23 F 50 TN XXXX

MODEL

TYPE	
F	Fixed
S	Sliding
T	Top Mount

SEQUENCE NUMBER

AXLE TYPE

RIDE HEIGHT

40	14 in.
50	15 in.
60	16 in.
65	16-1/2 in.
70	17 in.
75	17-1/2 in.
85	18 in.

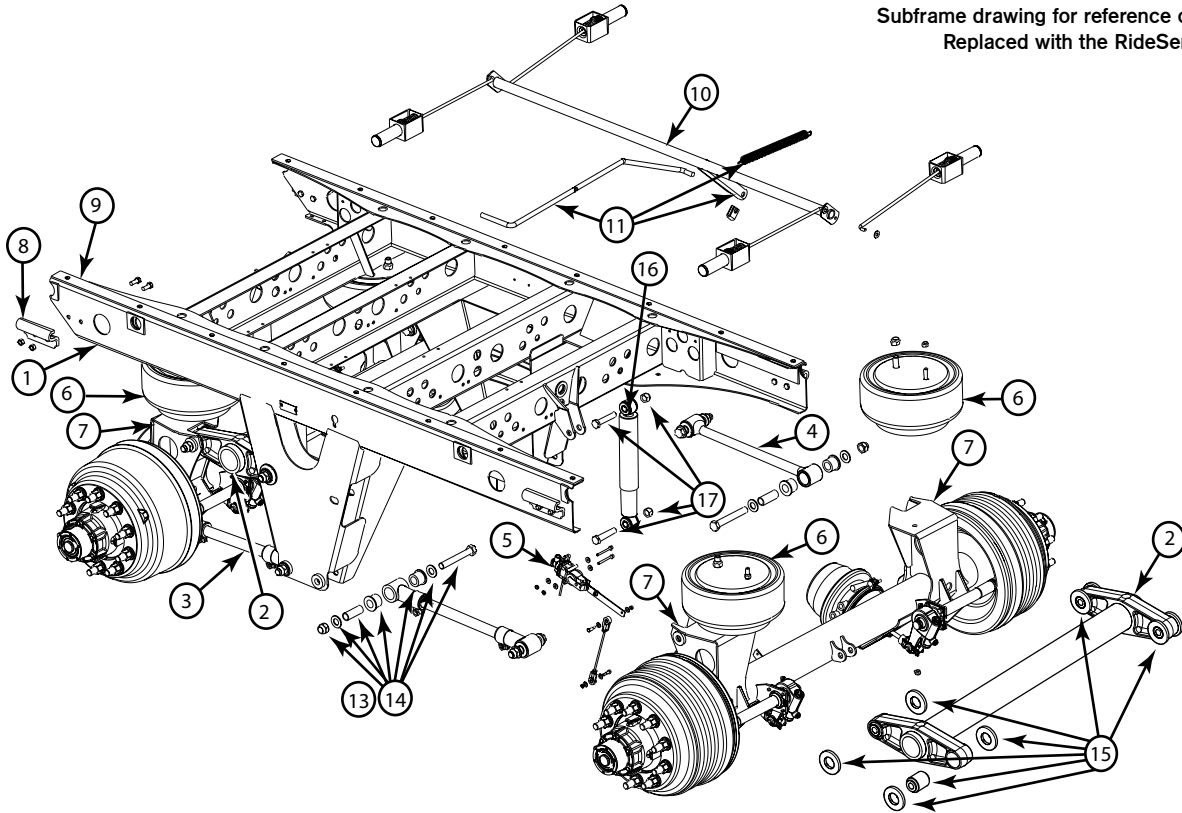
Suspension Components

SUS

Meritor - RHP11

DISCONTINUED - Service Parts Only

Subframe drawing for reference only.
Replaced with the RideSentry.



Item	Part Number	Description
1	MTRA7420E1045	Subframe, RideSentry Replacement
2	MTRKIT11305	Upper Control Arm
3	MTRA-1-3133Y8345	Adjustable Lower Control Arm
4	MTRA3133G8249	Fixed Lower Control Arm
5	Height Control Air Valve	
	HADH00500C	Less Dump Valve, Cast
	HADH00500CA	Zero Pressure Dump, Cast
	HADH01500UN	Less Dump Valve, PVC
	HADH01502UNC	Zero Pressure Dump, PVC
6	Air Spring	
	MTRA-2258F1410	Standard
	MTRA2258A1457	Double Control
7	Axle Seat Kits	Ride Height
	MTRKIT11331	16-1/2 in.
	MTRKIT11327	17-1/2 in.
	MTRKIT11328	18-1/2 in.
8	MTRKIT11117	Hold Down Clip
9	KIT1112[^]	Slider Wear Pad
10	MTRM306534	EZ-Pull II Replacement Kit
	HUT71091-01	EZ-Pull Repair Kit

Item	Part Number	Description
11	MTRKIT11116	Linkage Bar Kit
12	Shock Bracket	
	MTRM312520	Upper 16-1/2 in.
	MTRM312521	Upper 18-1/2 in.
	MTRM312508	Lower 16-1/2 in.
13	MTRKIT11107	Lower Pivot Bolt Kit
14	MTRKIT11102	Lower Pivot Bushing Kit
15	MTRKIT11300	Upper Bushing Kit
16	MTR85919	Shock Absorber
17	MTRKIT11103	Shock Bolt Kit

New RHP-11 subframe requires the addition of an air conversion kit

Part Number	Description
MTRKIT11357	Air Conversion Kit

[^]Part included for reference only.

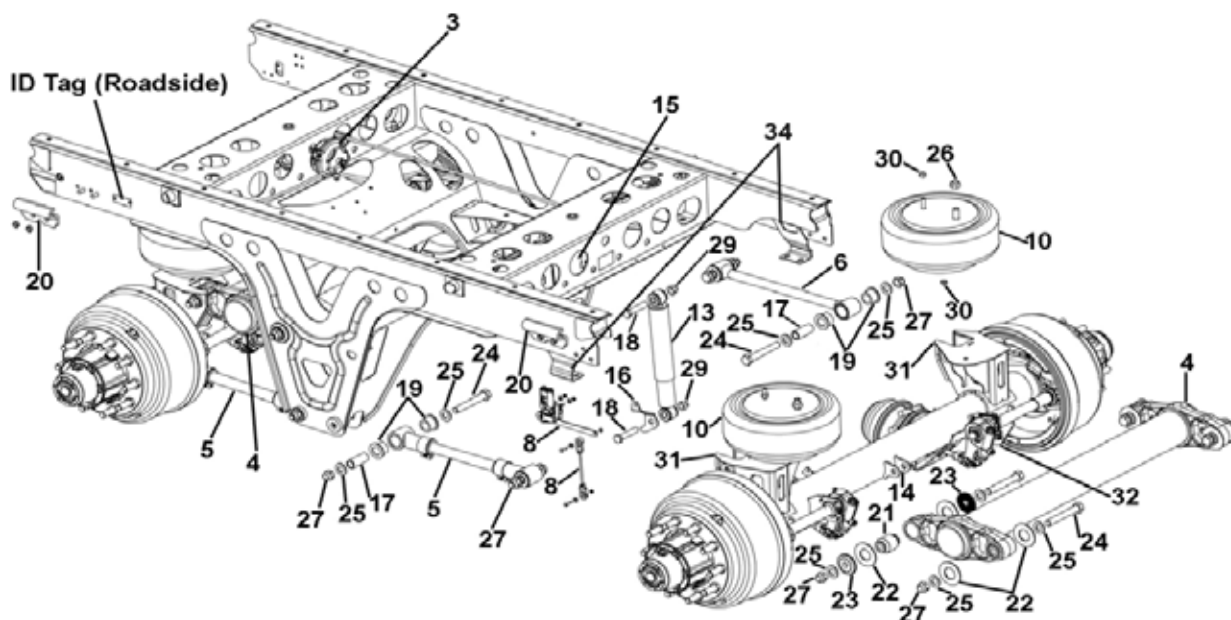
Suspension Components



SUS

Suspensions

Meritor - RideSentry MPA



Suspension Components

Item	Part Number	Description
3	MTRKIT11330	Pneumatic PinLoc
4	MTRKIT11305	Upper Control Arm Kit
5	MTRA-1-3133Y8345	Lower Control Arm Assembly
6	MTRA3133G8249	Lower Control Arm Assembly
8	MTRKIT11332	With Automatic Dump Valve
10	Air Spring	
	A-2258-F-1410[^]	16-1/2 in. Ride Height
	A-2258-W-1531[^]	17-1/2 in. Ride Height
	A-2258-X-1532[^]	18-1/2 in. Ride Height
13	MTR85919	Shock Absorber
14	MTRM312508	Shock Bracket
15	2255-Q-1421[^]	Shock Bracket
16	2255-D-1408[^]	Height Control Linkage
17	2245-J-1232[^]	Inner Sleeve
18	MTRM301501	Capscrew, 3/4 in.-10 x 3-1/2 in., GR 8
19	1225-W-1349[^]	Urethane Control Arm Bushing
20	2257-P-1264[^]	Hold Down Clip
21	A1225-G-1437[^]	Bushing
22	1229-N-5006[^]	Thrust Washer
23	MTRM301532	Pivot Bolt Washer 3 in. OD x 7/8 in. ID x 1/2 in. Thk

Item	Part Number	Description
24	S-21448M-2[^]	Pivot Bolt - 7/8 in.-9 x 6 in.
25	MTRM301530	Hardened Flat Washer - 7/8 in. ID
26	MTRR004961A	Lock Nut, 3/4 in.-16, GR 8
27	1227-R-1604[^]	Torque Nut, 7/8 in.-9, GR C
29	NL-212-1[^]	Lock Nut, 3/4 in.-10, GR C
30	127-B-1614[^]	Lock Nut, 1/2 in.-13, GR B
31 - 32	MTRKIT11331	Axle Seat Kit, 16-1/2 in. Ride Height
34	Air Tank Brackets	
	2255-F-1384[^]	Roadside
	2255-G-1385[^]	Curbside

Repair Kits

Lower Pivot Bushing Kit	MTRKIT11102
Upper Control Arm Bushing Kit	MTRKIT11300
Shock Bolt Kit	MTRKIT11103
Standard Subframe (16-1/2 in. with 1-5/8 pins)	MTRA7420E1045

[^]Part included for reference only.

Specifications

RideSentry MPA

Specification	MPA20	MPA38	MPA40
Rating (Suspension & Axle)	20,000 lbs	38,000 lbs	40,000 lbs
Ride Heights	16.5", 17.5"	16.5", 17.5", 18.5"	16.5", 17.5", 18.5"
System Weight	682 lbs	1,468 lbs	1,488 lbs
Attachment Methods	Frame Weld On	Pinloc System	Pinloc System
Suspension Type	Parallelogram	Parallelogram	Parallelogram
Wheel End Options	Variety of Meritor Brakes & Wheel-Ends	Variety of Meritor Brakes & Wheel-Ends	Variety of Meritor Brakes & Wheel-Ends

Durability and curbing damage prevention:

- RideSentry's unique parallelogram design improves the durability of the structure as the upper control arms act as roll bars absorbing torsional stress imposed on the axle during trailer maneuvers.
- If a curb hit occurs, the suspension assembly redistributes the impact force evenly throughout the structure and prevents expensive slider damage.
- RideSentry's resistance to racking is nearly two times that of its nearest competitor.



Suspensions

Meritor Components

Lower Control Arm Bushing Service Kit

Kit	Shear Nut	Control Arm Bushing
MTRKIT11102	MTRM301551	MTRM302502



Upper Control Arm Bushing Service Kit

Kit	Bushings	Trust Washers	Nuts	Hex Bolts	Alignment Washers	Cylinder Shear Nut	Flat Washers	4 oz. Tube P80 Lubricant
MTRKIT11300	A1225L1416 (4)	1229E4971 (8)	M301559 (1)	M301500 (4)	M301532 (2)	M301551 (3)	M301530 (8)	2297S8547 (1)



RFS Pivot Bushing Kit MTRKIT11201



Pivot Bolt Kit MTRKIT11107



Upper Control Arm (UCA) Hardware Kit MTRKIT11302



Upper Control Arm Kit MTRKIT11305



UCA & KIT11302

Suspension Components

SUS

Meritor Components

Lower Arm
MTRA-1-3133Y8345



Location: Roadside

Axle Seat
MTRKIT11331



Ride Height: 16-1/2 in.
1 Per Axle

Slide Plate Repair Kit
MTRKIT11322



EZ-Pull Pin Kit
MTRM306536



OD: 1-3/8 in.

Spacer
MTR1244C2733



Material: Aluminum

Quick Reference
Meritor Tools

Part Number	Type
MTRA-3256-L-1182	Axle Tool
MTRA3256-H-1152	Bushing Tool



(MTRA-3256-L-1182)



(MTRA3256-H-1152)

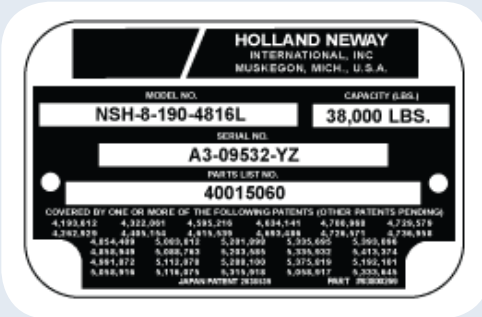
Suspension Components



SUS

Suspensions

SAF-Holland Identification Tags



NSH81904816L

SLIDER SERIES

NS	NewLite Slider
CB	CB Slider

SLIDER BOX LENGHT

RIDE HEIGHT

SLIDER BOX WIDTH

2	42 in.
8	48 in.

SLIDER RAIL

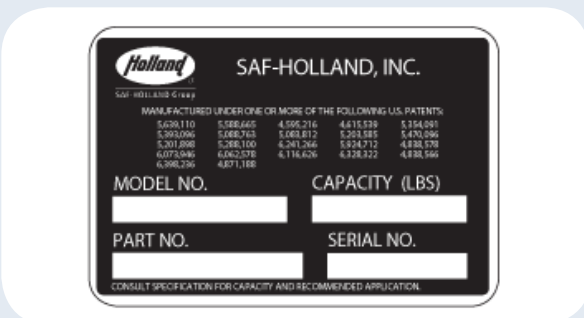
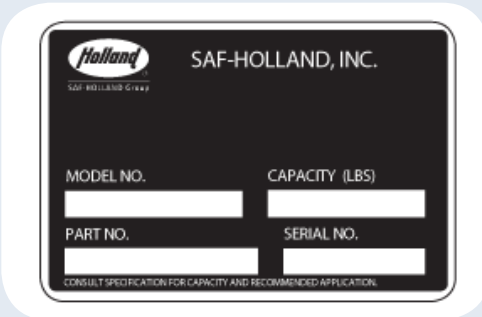
H	Hutch
B	Binkley
T	TTMA

AXLE SPACING

4	49 in.
5	61 in.
6	73 in.

SLIDER BOX DEPTH

SUSPENSION MODEL/ CAPACITY



RLX25016HMS

SUSPENSION SERIES

CB	Cast Beam
RL	Fixed Mount

SPECIAL FEATURES

HMS	Hanger Mount Shock
SBF	Shock Below Frame
SS	Single Stud Air Spring
OFS	Offset Stud Air Spring
AMS	Axle Mounted Shock
FMT	Frame Mount Blank

AXLE

X	5-3/4 in.
U	Undermount Blank

SUSPENSION MODEL/ CAPACITY

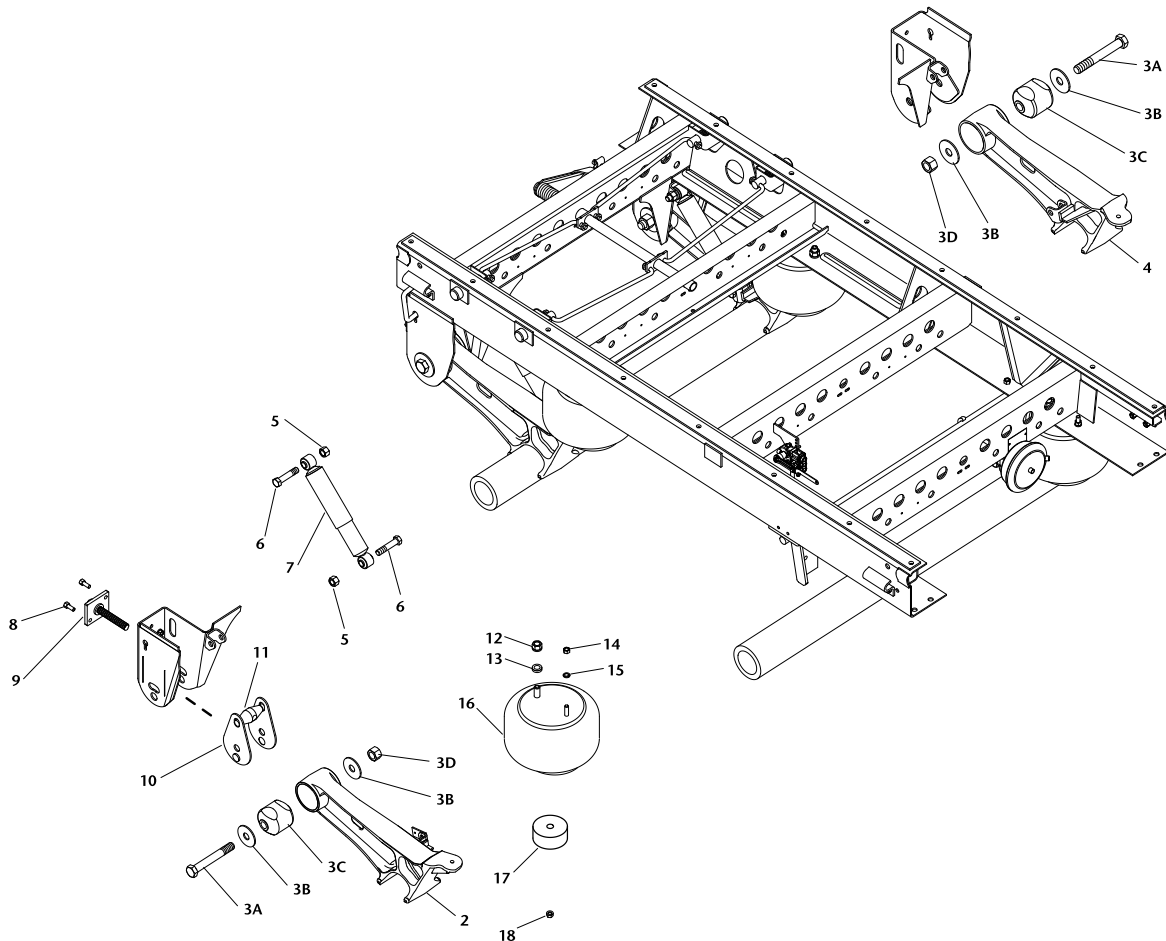
RIDE HEIGHT



SAF-Holland Suspension Components

SUS

Binkley - CB400/ CB4000



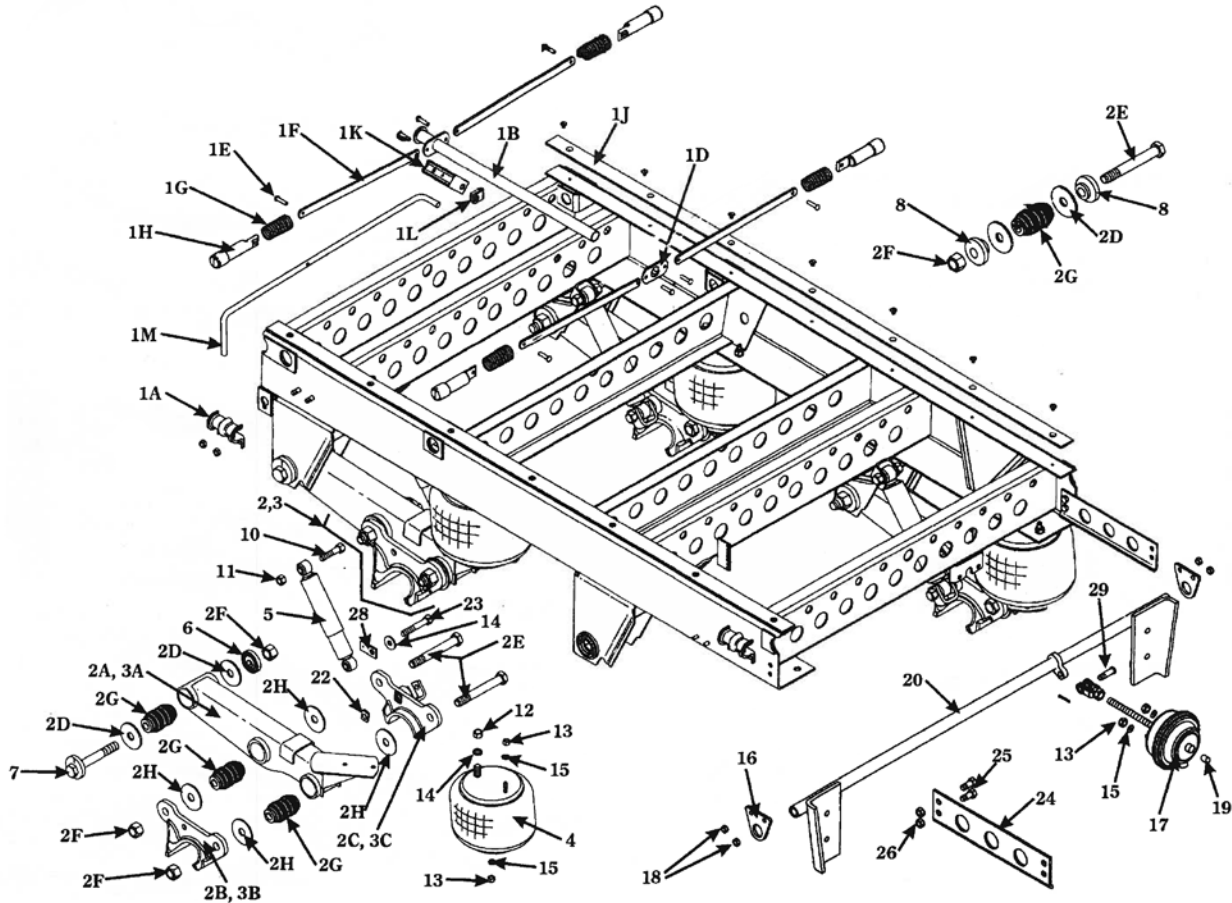
Item	Part Number	Description
1A	HOL48100396	Frame Bracket (Welded)
1AA	NEWSRK-531	Frame Bracket (Swing Align)
2	NEW481-00-449	Equalizing Beam LH
3A	NEW932-01-070	Pivot Bolt: 1-1/8 in.-7 x 8 in.
3B	NEW936-00-553	Pivot Connection Washer
3C	NEW481-00-394	Bushing
3D	NEW934-00-506	Hex Lock Nut: 1-1/8 in.-7
4	481-00-450[^]	Equalizing Beam RH
5	NEW934-00-492	Hex Lock Nut: 3/4 in.-10
6	HOL93006035	Hex Bolt: 3/4 in.-10 x 3-1/2 in.
7	Shock Absorber	
	NEW900-45-298	15-1/2 in. to 16 in.
	NEW900-44-162	16-1/2 in. to 17 in.
	NEW900-45-040	18 in.
8	BINXB-HHC-001-33	Hex Bolt: 1/2 in.-13 x 1-3/4 in.

Item	Part Number	Description
9	NEW905-48-007	Threaded Rod Assembly
10	NEW905-31-339	Alignment Plate
11	NEW900-45-491	Swing Align Yoke
12	NEW934-00-149	Hex Nut: 3/4 in.-16
13	NEW936-00-077	Washer: 3/4 in.
14	NEW934-00-136	Hex Nut: 1/2 in.-13
15	NEW936-00-072	Washer: 1/2 in.
16	NEWSRK-626	Air Spring
17		Spacer
18	HOL93400623	Flange Hex Nut: 1/2 in.-13

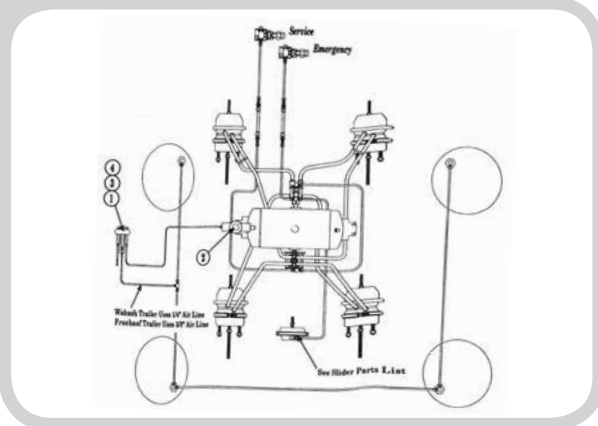
[^]Part included for reference only.

Suspensions

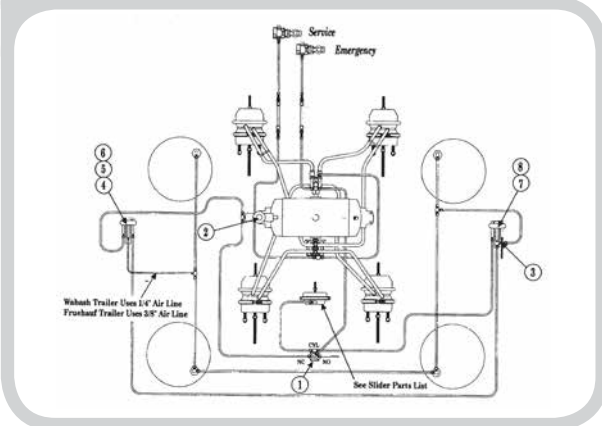
Cargo Care WW-190



Air Control Piping: Single Height
Control Valve & External Dock Lock



Air Control Piping: Dual Height
Control Valves & External Dock Latch



Cargo Care WW-190

Components

Item	Part Number	Description
1	905-46-155[^]	Slider Assembly - WW-190-4816
	HOLNH1Q12131N000Y0	
		Slider Assembly - WW-190-4817
	HOLNH1Q12141N000Y0	
		Slider Assembly - WW-190-4818
1A	HUT20289-01	Hold Down Clip
1B	900-38-413[^]	Tube: 28-1/2 in.
1C	900-36-219[^]	Thrust Washer: 1-13/32 in.
1D	HUT8028-00	Cam-Puller
1E	900-34-145[^]	Rivet Pin
1F	HUT11412-16	Link
1G	HUT12779-01	Spring
1H	HUT12716-01	Cast Lock Pin
1J	NEW900-34-133	Slider Pad
1K	900-45-305[^]	Link Attachment Clip
1L	900-45-306[^]	Crank
1M	HUT18797-02	Pull Handle
2	905-45-130[^]	Equalizing Beam LH - beam assy.
2A	NEW905-16-801	Equalizing Beam LH - beam only
2B	NEW900-01-215	Axle Adapter LH - Outside
2C	NEW905-01-350	Axle Adapter LH - Inside
2D	NEW900-36-177	Washer
2E	NEW932-01-051	Hex Bolt: 1-1/8 in. x 8-1/2 in.
2F	NEW934-00-506	Hex Lock Nut: 1-1/8 in.-7
2G	NEW900-08-149	Bushing
2H	NEW900-36-217	Washer
3	NEW905-16-802	Equalizing Beam RH - beam assy.
3A	NEW900-01-216	Equalizing Beam Curbside
3C	NEW905-01-351	Axle Adapter RH
4	NEW905-57-223	Air Spring: WW-190-4816
	NEW905-57-225	Air Spring: WW-190-4817
	NEW905-57-159	Air Spring: WW-190-4818
5	NEW900-45-298	Shock Absorber: WW-190-4816
	NEW900-45-299	Shock Absorber: WW-190-4817
	NEW900-45-040	Shock Absorber: WW-190-4818
6	NEW900-08-238	Alignment Block
7	NEW905-08-019	Alignment Block Assy.
8	NEW900-08-198	Alignment Block
10	NEW930-03-597	Hex Bolt: 3/4 in.-10 x 3-1/2 in.

Bushing Kits

Roadside - 2 Hangers	NEWSRK-521
Curbside - 2 Hangers	NEWSRK-203
Axle - 1	NEWSRK-149

Item	Part Number	Description
11	NEW934-00-492	Hex Lock Nut: 3/4 in.-10
12	NEW934-00-149	Hex Nut: 3/4 in.-16
13	NEW934-00-136	Hex Nut: 1/2 in.-13
14	NEW936-00-077	Washer: 25/32 in.
15	NEW936-00-072	Washer: 17/32 in.
16	NEW900-34-494	Support Plate
17	MIDMA36120	Actuator Chamber
18	934-00-472[^]	Hex Lock Nut: 3/8 in.-16
19	900-54-811[^]	Choke Valve
20	NEW905-47-932	Rod Assy.: WW-190-4816
	NEW905-46-134	Rod Assy.: WW-190-4817
	NEW905-47-942	Rod Assy.: WW-190-4818
22	NEW934-00-367	Square Nut: 3/4 in.-10
23	NEW930-03-633	Hex Bolt: 3/4 in.-10 x 5 in.
24	900-34-137[^]	Mud Flap Bracket
25	930-02-907[^]	Hex Bolt: 1/2 in.-13
26	934-00-480[^]	Hex Lock Nut: 1/2 in.-13
28	900-54-814[^]	HCV Link Bracket
29	999-9-048[^]	Clevis Pin: 1/2 in.
30	999-9-090[^]	Cotter Pin

Air Control Piping: Single Height Control Valve & External Dock Lock

Item	Part Number	Description
1	HOL48100225	Leveling Valve Linkage Kit
2	NEW905-54-107	Pressure Protection Valve
3	NEW900-54-007	Leveling Valve
4	12900512[^]	Leveling Valve Bracket
5	NEW952-70-008	Operating Decal

Air Control Piping: Dual Height Control Valves & External Dock Latch

Item	Part Number	Description
1	NEW905-54-615	Pilot Valve
2	NEW905-54-107	Pressure Protection Valve
3	NEW905-54-078	Check Valve
4	12900195[^]	Leveling Valve Linkage Kit
5	NEW900-54-007	Leveling Valve
6	12900512[^]	Leveling Valve Bracket
7	NEW905-54-184	Fixed Link
8	NEW905-54-664	Valve Auto-Reset

[^]Part included for reference only.

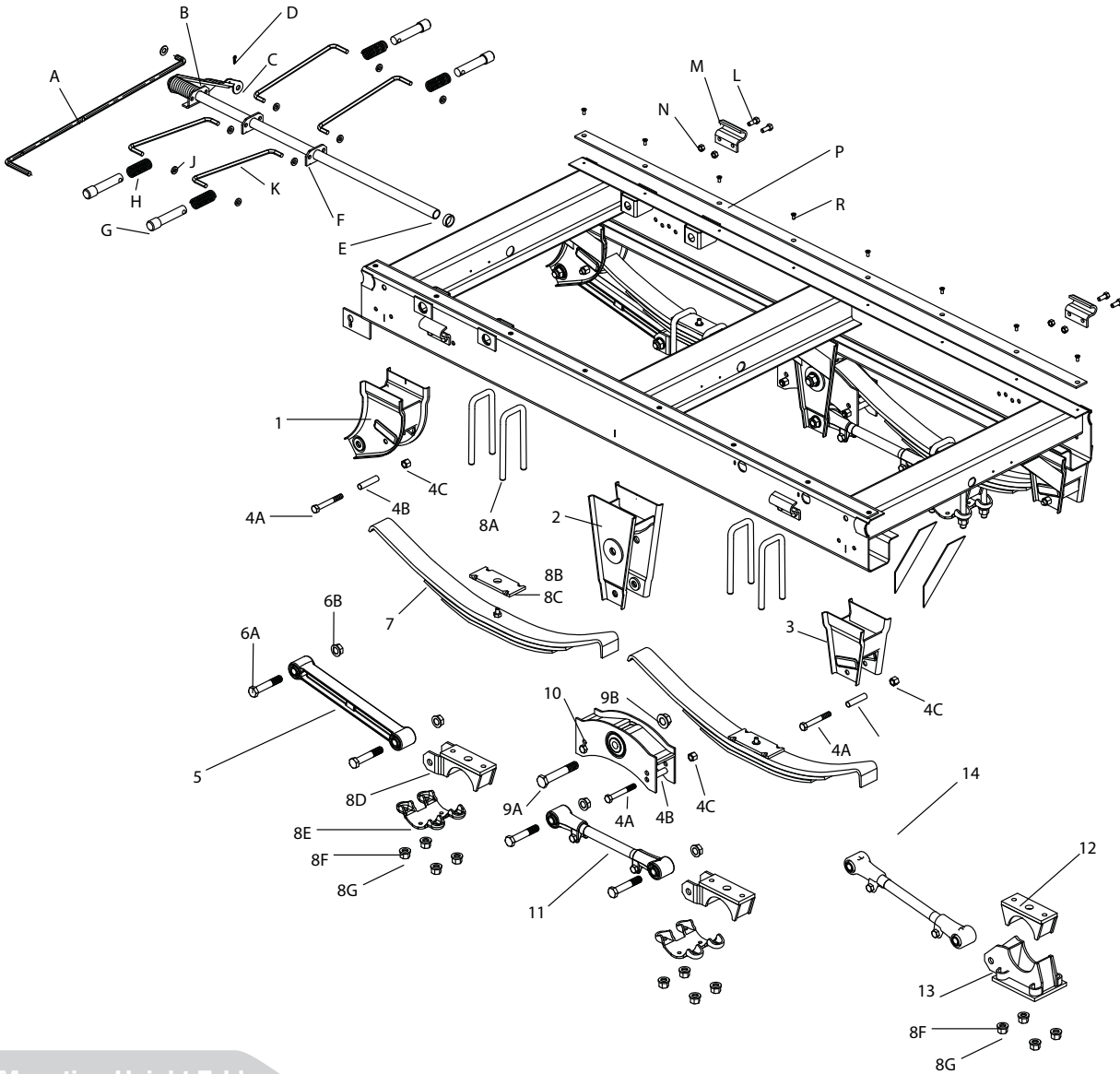
Suspension Components



SUS

Suspensions

Binkley - Ultralite 2



Mounting Height Table

Item	Description	Part Number	Seat Height							
			3/4 in.	1-1/4 in.	1-3/4 in.	2-1/4 in.	2-3/4 in.	3-1/4 in.	3-3/4 in.	4-1/4 in.
8D	Spring Seat		SP0142-01	SP0142-02	SP0142-03	SP0149-04	SP0149-05	SP0149-06	SP0149-07	SP0149-08
7	Heavy Duty, 3-Leaf Spring	SP0365	15-1/2 in.	16 in.	16-1/2 in.	17 in.	17-1/2 in.	18 in.	18-1/2 in.	19 in.
	U-Bolt	SP0365-01	13-1/4 in.	13-3/4 in.	14-1/4 in.	14-3/4 in.	15-1/4 in.	15-3/4 in.	16-1/4 in.	16-3/4 in.
			SP0074-K	SP0074-L	SP0074-M	SP0074-P	SP0074-R	SP0074-S	SP0074-T	SP0074-U
7	3-Leaf Spring	SP0354	15-1/2 in.	16 in.	16-1/2 in.	17 in.	17-1/2 in.	18 in.	18-1/2 in.	19 in.
		SP0355	14 in.	14-1/2 in.	15 in.	15-1/2 in.	16 in.	16-1/2 in.	17 in.	17-1/2 in.
		SP0356	13-1/4 in.	13-3/4 in.	14-1/4 in.	14-3/4 in.	15-1/4 in.	15-3/4 in.	16-1/4 in.	16-3/4 in.
	U-Bolt		SP0074-J	SP0074-K	SP0074-L	SP0074-M	SP0074-P	SP0074-R	SP0074-S	SP0074-T
7	2-Leaf Spring	SP0324	15-1/2 in.	16 in.	16-1/2 in.	17 in.	17-1/2 in.	18 in.	18-1/2 in.	19 in.
		SP0325	14 in.	14-1/2 in.	15 in.	15-1/2 in.	16 in.	16-1/2 in.	17 in.	17-1/2 in.
		SP0326	13-1/4 in.	13-3/4 in.	14-1/4 in.	14-3/4 in.	15-1/4 in.	15-3/4 in.	16-1/4 in.	16-3/4 in.
	U-Bolt		SP0074-H	SP0074-J	SP0074-K	SP0074-L	SP0074-M	SP0074-P	SP0074-R	SP0074-S
7	Single-Leaf Spring	SP0360	15-1/2 in.	16 in.	16-1/2 in.	17 in.	17-1/2 in.	18 in.	18-1/2 in.	19 in.
		SP0363	13-1/4 in.	13-3/4 in.	14-1/4 in.	14-3/4 in.	15-1/4 in.	15-3/4 in.	16-1/4 in.	16-3/4 in.
	U-Bolt		SP0074-G	SP0074-H	SP0074-J	SP0074-K	SP0074-L	SP0074-M	SP0074-P	SP0074-R

Binkley - Ultralite 2

Components

Item	Part Number	Description
A	Pull Handle	Frame Width
	BINSL0A1269-02	42 in.
	SLOA1269-01[^]	48 in.
	SLOA1269-03[^]	54 in.
B	BINSL0A1277-01	Center Pin Pull Assembly
C	BINXB-PW-016-08	Retainer Washer
D	BINXB-CTP-014-59	Cotter Pin: 3/16 in. x 1-1/2 in.
E	BINSL0523-07	Spacer
F	BINSL0A1274	Torsion Cam
G	Lock Pin	
	HOLSLOA1261	1-5/8 in., Hutch Style
	BINSL0A1238	1-3/8 in.
H	HOLXB-SPG-020-35	Compression Spring
J	HOLXB-PW-016-85	Washer: 1/2 in.
K	Pin Pull Rod	Frame Width
	BINSL0A1239-01	42 in.
	BINSL0A1550	48 in.
	SLOA1239-03[^]	54 in.
L	BINXB-HHC-001-33	Bolt: 1/2 in.-13 x 1-1/4 in.
M	HOL90015150	Hold Down Clip
N	BINXB-SLN-012-42	Lock Nut: 1/2 in.-13
P	XB-SLOA1054[^]	Slider Pad: 96 in.
R	HOLXB-STS-008-16	Screw: 5/16 in.-18 x 3/4 in.

Item	Part Number	Description
1	BINSP0100	Straddle Mount Front Hanger
2	BINSP0110	Straddle Mount Equalizer Hanger
3	BINSP0120	Straddle Mount Rear Hanger
4A	HOLXB-SP0050-71	Bolt: 5/8 in.-11 x 4-1/2 in.
4B	HOLXB-SP0145	Spacer: 5/8 in.
4C	BINXB-SP0012-10	Lock Nut: 5/8 in.-11
5	BINSP0143	Fixed Torque Arm with Bushing
6A	BINPP0050-75	Bolt: 7/8 in.-14 x 4-3/4 in.
6B	BINPP0012-36	Flange Lock Nut: 7/8 in.-14
7		Spring Assembly (See Table)
8A		U-Bolt: 3/4 in.
8B	BINSP0178	Top Plate
8C	SP0049[^]	Liner
8D		Spring Seat Riser (See Table)
8E	BINSP0099	Bottom Plate
8F	BINXB-SP0016-67	Hardened Washer: 13/16 in.
8G	BINXB-SP0011-44	Hex Nut: 3/4 in.-16
9A	BINPP0050-73	Bolt: 1 in.-14 x 6-1/16 in.
9B	BINPP0012-37	Flange Lock Nut: 1 in.-14
10	BINSP0131	Equalizer with Bushing
11	BINSP0123	Adjustable Torque Arm with Bushing
12		Spring Seat Riser
13	BINSP0170	No Hop Bottom Plate
14	BINSP0123	Adjustable Torque Arm

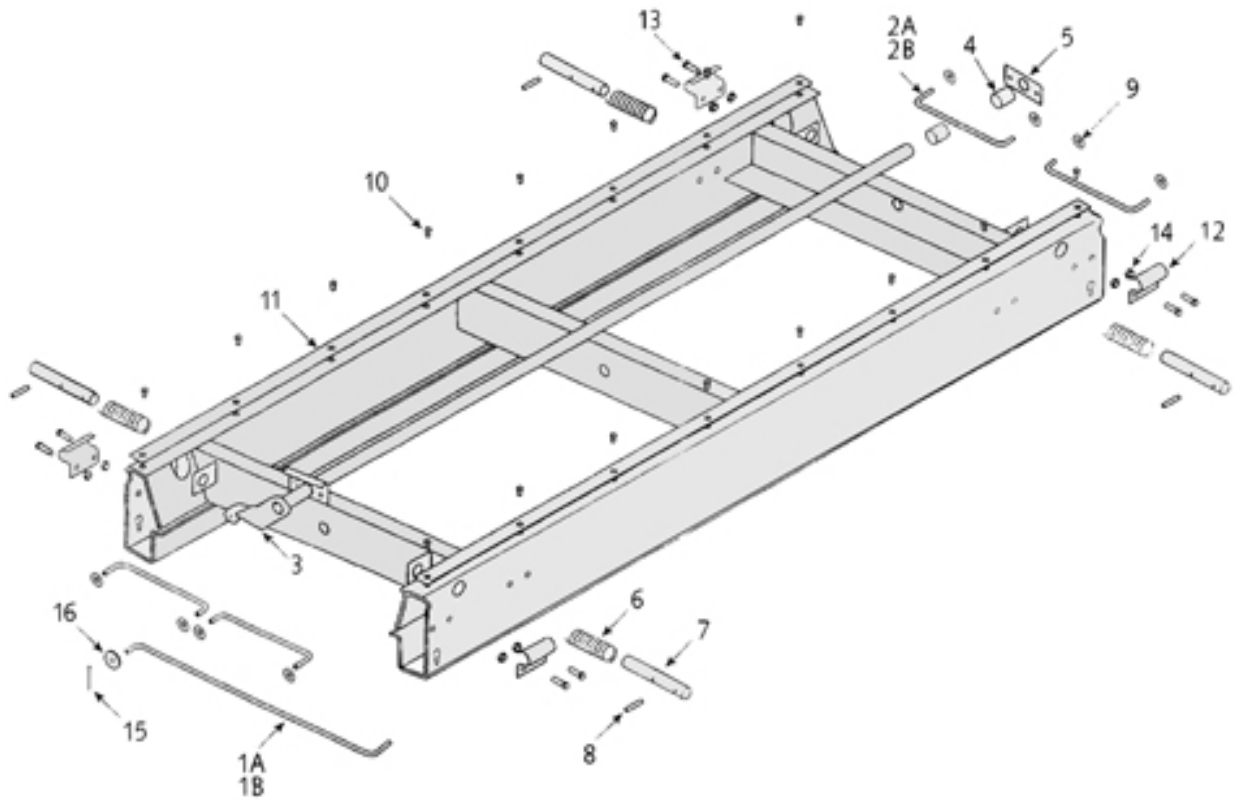
No Hop - Mounting Height Table

Item	Description	Part Number	Seat Height			
			3/4 in.	1-1/4 in.	1-3/4 in.	2-1/4 in.
8D	Front Spring Seat Riser		SP0142-01	SP0142-02	SP0142-03	SP0149-04
13	Rear Spring Seat Riser		SP0172-01	SP0172-02	SP0172-03	SP0172-04
7	Heavy Duty, 3-Leaf Spring	SP0365	15-1/2 in.	16 in.	16-1/2 in.	17 in.
		SP0365-01	13-1/4 in.	13-3/4 in.	14-1/4 in.	14-3/4 in.
	Front U-Bolt		SP0074-K	SP0074-L	SP0074-L	SP0074-M
	Rear U-Bolt		SP0074-T	SP0074-U	SP0074-U	SP0074-V
7	3-Leaf Spring	SP0354	15-1/2 in.	16 in.	16-1/2 in.	17 in.
		SP0355	14 in.	14-1/2 in.	15 in.	15-1/2 in.
		SP0356	13-1/4 in.	13-3/4 in.	14-1/4 in.	14-3/4 in.
	Front U-Bolt		SP0074-J	SP0074-K	SP0074-L	SP0074-M
	Rear U-Bolt		SP0074-S	SP0074-T	SP0074-U	SP0074-V
7	2-Leaf Spring	SP0324	15-1/2 in.	16 in.	16-1/2 in.	17 in.
		SP0325	14 in.	14-1/2 in.	15 in.	15-1/2 in.
		SP0326	13-1/4 in.	13-3/4 in.	14-1/4 in.	14-3/4 in.
	Front U-Bolt		SP0074-H	SP0074-J	SP0074-K	SP0074-L
	Rear U-Bolt		SP0074-R	SP0074-S	SP0074-T	SP0074-U
7	Single-Leaf Spring	SP0360	15-1/2 in.	16 in.	16-1/2 in.	17 in.
		SP0363	13-1/4 in.	13-3/4 in.	14-1/4 in.	14-3/4 in.
	Front U-Bolt		SP0074-G	SP0074-H	SP0074-J	SP0074-K
	Rear U-Bolt		SP0074-P	SP0074-R	SP0074-S	SP0074-T

[^]Part included for reference only.

Suspensions

Binkley Lite-Side SL8000 & SL6000 Series



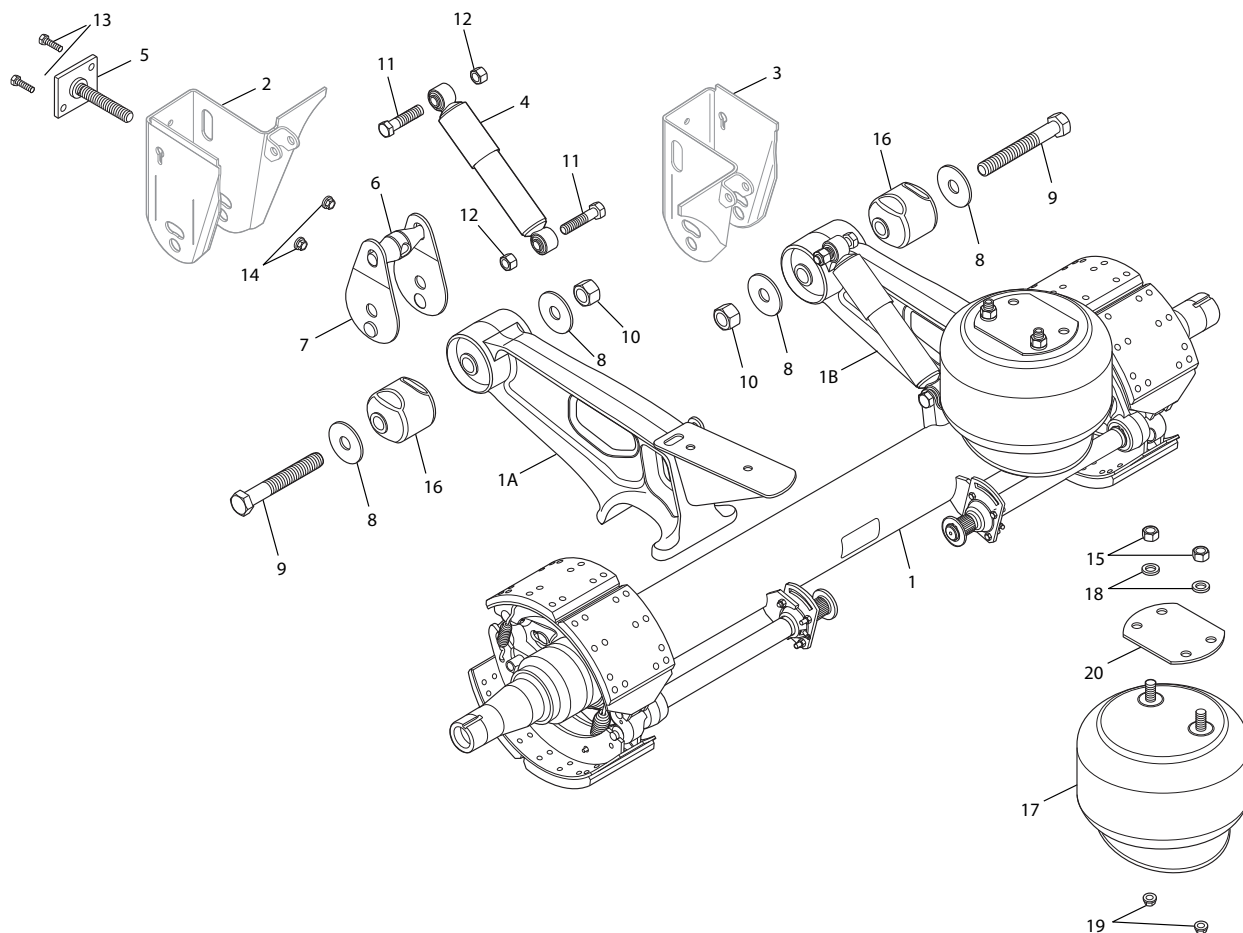

 Suspension Components

Item	Part Number	Description
1	Pull Arm	Frame Width
1A	BINSL0744-03	42 in.
1B	BINSL0744-07	48 in.
2	Linkage Arm	Frame Width
2A	HOLXB-SL0646-42	42 in.
2B	XB-SL0646-48[^]	48 in.
3	BINSPK0056	Quick Release Replacement Kit
4	BINSL0523-07	Spacer
5	BINSL0088	Cam
6	BINPP0020-18	Compression Spring
7	BINSL0450	Lock Pin: 1-3/8 in.
8	BINPP0052-28	Roll Pin
9	BINXB-SL0016-68	Flat Washer

Item	Part Number	Description
10	HOLXB-STS-008-16	Screw
11	BINSL0515	Slide Pad
12	SL0893-UP[^]	Hold Down Bracket
13	BINXB-HHC-001-33	Screw
14	BINXB-SLN-012-42	Nut
15	BINXB-CTP-014-59	Cotter Pin
16	BINXB-PW-016-08	Flat Washer

[^]Part included for reference only.

CBX40 with 265 Fusion Beam



Item	Part Number	Description
1A	NEW905-21-742	Left Hand Beam
1B	NEW905-21-743	Right Hand Beam
1	Braked Beam & Axle Assembly, 77-1/2 in. Axle Track	
	HOL64710525090	Tapered, 42 in. Beam Centers
	HOL64710565090	Parallel, 42 in. Beam Centers
4	Shock Absorber	
	NEW900-45-298	15-1/2 in. & 16 in. Ride Height
	NEW900-44-162	16-1/2 in. & 17 in. Ride Height
	NEW900-45-040	18 in. Ride Height
5	NEW905-48-007	Threaded Rod Assembly
6	NEW900-45-491	Swing Align Yoke
7	NEW905-31-339	Plate Weldment
8	NEW936-00-553	Washer 1-9/64 in. I.D. x 3-1/2 in. O.D. GR 8
9	NEW932-01-070	Bolt 1-1/8 in.-7 x 8 in. Long GR 8
10	NEW934-00-506	Hex Nut 1-1/8 in.-7 GR C
11	HOL93006035	Hex Bolt 3/4 in.-10 x 3-1/2 in. Long GR 5
12	NEW934-00-492	Hex Nut 3/4 in.-10 GR B

Item	Part Number	Description
13	BINXB-HHC-001-33	Hex Cap Screw 1/2 in.-13 x 1-3/4 in. Long GR 5 ZC
14	HOL93400623	Flange Nut 1/2 in.-13 GR B
15	NEW934-00-149	Air Spring Top Mounting Nut 3/4 in.-16 GR B
16	NEW900-08-247	Bushing
17	Air Spring Assembly	
	HOL90557372	15-1/2 in. - 17 in. Ride Height
	NEW905-57-194	18 in. Ride Height
18	NEW936-00-077	Air Spring Mounting Washer 49/64 in. I.D. x 1-17/64 in. O.D.
19	HOL93400623	Air Spring Bottom Mounting Nut 1/2 in.-13 GR B
20	HOL9003424	Air Spring Mount Plate

Repair Kits

Swing Arm Alignment Kit	NEWSRK-542
Bushing & Bolt Kit	NEW481-00-394

Suspension Components



SUS

Suspensions

SAF-Holland Components

Subframe

	Hangers	Size	Additional
BINDWH18E480000N00	Yes		Manual Pin Pull
BINDWH18F480000N00	Yes		Pneumatic Pin Pull
BINSLE98E8B0000N00	Yes	48 in.	
BINSLW98E480000N00	Yes		
BINSLW98E8W0000N00			
HOLDUE984V80000N00	Yes		
HOLDWH98E480000N00	Yes		



(BINDWH18E480000N00)

Frame Bracket

	Type
BINSP0100	Front
BINSP0110	Equal
BINSP0120	Rear



(BINSP0100)



(BINSP0110)



(BINSP0120)

Frame Bracket

Location	
Front	BINSP0162
Rear	BINSP0160



(BINSP0162)



(BINSP0160)

Type: Undermount

Frame Bracket NEW905-21-303



Height: 17 in.
Location: Curbside

Frame Bracket BINSP0291



Type: Front

SAF-Holland
Suspension Components

SUS

SAF-Holland Components

Pivot Bushing Repair Kits

Kit	Rubber Bushing	Spacer Washer	Rod Bolt	Lock Nut	Additional
NEWSRK-145	900-08-139	900-36-177	932-01-055	934-00-506	-
NEWSRK-203	900-08-149	900-36-177	932-01-055	934-00-506	Non Adjustable 1 Kit does 2 Hangers



(NEWSRK-145)



(NEWSRK-203)

Axle Bushing Repair Kit

Kit	Rubber Bushing	Wear Washer	Spacer Washer	Hex Bolt	Lock Nut
NEWSRK-149	900-08-149	900-36-175	900-36-177	932-01-051	934-00-506



For: One Axle

Pivot Bushing Repair Kit

Kit	Hex Bolt	Hex Lock Nut	Bushing	Flat Washer	Alignment Bushing	Alignment Block Non Weld	Alignment Bushing
NEWSRK-266	932-01-069	934-00-506	900-08-149	900-36-177	905-08-019	900-08-238	900-08-198



(NEW900-08-149)



(NEWSRK-266)

For: One Axle

Pivot Bushing Repair Kit

Kit	Bushing	Flat Washer	Alignment Block	Alignment Block Non Weld	Hex Lock Nut
NEWSRK-521	900-08-149	900-36-177	905-08-019	900-08-238	934-00-506



(NEW900-08-149)



(NEWSRK-521)

Location: Roadside
For: 2 Hangers

Suspensions

SAF-Holland Components

Pivot Bushing Repair Kit

Kit	Hex Bolt	Hex Lock Nut	Bushing	Flat Washer	Alignment Block	Alignment Block Non Weld
NEWSRK-525	932-01-069	934-00-506	900-08-149	900-36-177	905-08-019	900-08-238

Location: Roadside
 For: 2 Hangers
 Weld-On: 1 Side
 Equalizer: 1 Side



(NEWSRK-525)



(NEW900-08-149)

SRK-530 Bushing Kit NEW481-00-394



For: CB2300, CBX23, CBX25, CB4000

Shock Bushing NEW905-08-004



Alignment Block Bolt NEW905-08-019



Block Welded-On

Torque Arm BINSP0123



Type: Adjustable
 Length: 19-1/4 in.

Torque Arm BINSP0143



Type: Fixed
 Length: 19-1/4 in.

Torque Arm BINSP0202-01



Type: Adjustable
 Length: 14-3/8 in.

SAF-Holland Suspension Components

SUS

SAF-Holland Components

Alignment Block/ Collar
NEW900-08-147



Alignment Block/ Collar
NEW900-08-198



Alignment Block/ Collar
NEW900-08-238



Equalizer
BINSP0131



With Bushing

Pull Arm
BINSL0041-01



Type: Z-Frame
Length: 24-15/16 in.

Pull Arm
BINSL0293-01



Pull Arm
BINSL0744-07



Length: 34-1/2 in.

Pull Arm
BINSLOA1243-02



Length: 37-13/32 in.

Suspension Components



SUS

Suspensions

SAF-Holland Components

Pull Arm
BINSLOA1445-01



For: CB4000
Subframe Width: 48 in.

SL Pull Arm
BINSLOA1269-01



Swing Alignment Replacement Kit
NEWSRK-542



For: CB400

Weldment Plate
NEW905-31-339



For: CB400

Threaded Rod Assembly
NEW905-48-007



For: CB400

Align Yoke
NEW900-45-491



For: CB400

Slider Pin
BINSLO450



Material: Steel
1-3/8 x 8.625 in.

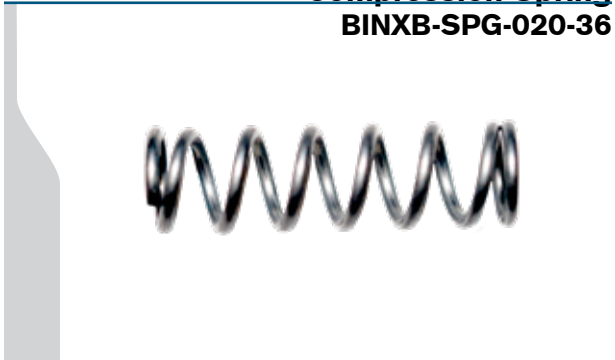
Step Lock Pin
BINSLOA1238



1-3/8 x 6.375 in.

SAF-Holland Components

Compression Spring
BINXB-SPG-020-36



Pin Spring
BINPP0020-18



XB-SPG-020-18

Hold Down Clip
HOL90015150



Slider Rail
BINSL0853-16



Length: 216 in.
1-9/16 in. holes with 6 in. centers

Slider Rail
BINSL0A1203-13



Length: 216 in.
1-9/16 in. holes with 6 in. centers

Slider Rail
BINSL0A1480-28



Length: 208 in.
1-13/16 in. holes with 4 in. centers

Slider Pad
HOLXB-SLOA1054



For Binkley Cargo Care

EDL Rod
NEW905-48-019



Length: 47-3/4 in.

Suspension Components



SUS

Suspensions

SAF-Holland Components

EDL Rod Assembly
NEW905-48-021



Length: 47-3/4 in.

Rod Assembly
HOL905-48-023



Length: 47-3/4 in.

New Style Torsion Cam
BINSLOA1277-01



Material: Steel

Spring Seat
BINSP0142-01



3/4 in.

Bearing Block
HOL90045590



5 in. x 2-1/2 in. x 1 in.

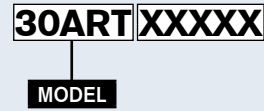
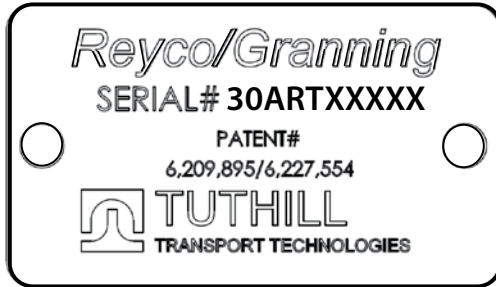
SAF Holland

Suspension Components

SUS

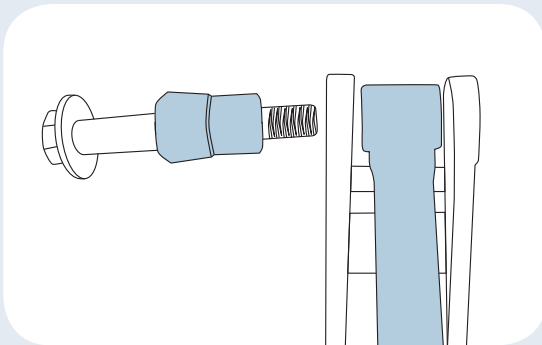
Reyco

Identification Tag



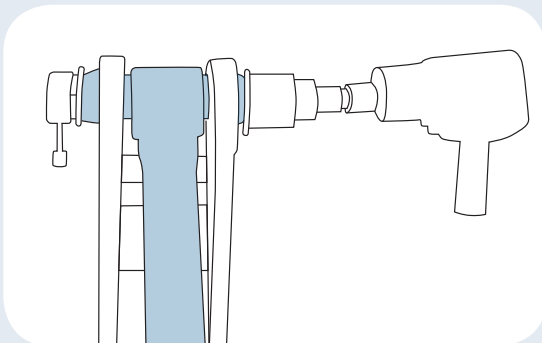
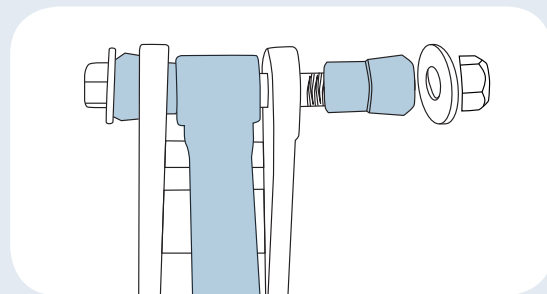
Installation Guide

Cast Bushing



1. Install one washer on the new bolt. Bolt head will be to the inside of the suspension.
2. Install one bushing on the bolt, large side against the flat washer.
3. Center the torque arm between the ears of the suspension spring hanger.
4. Install the bolt with washer & bushing through the hanger eye from the inside of the trailer. (Lubrication of the bushing is not required, but a non-petroleum based lube maybe used.)

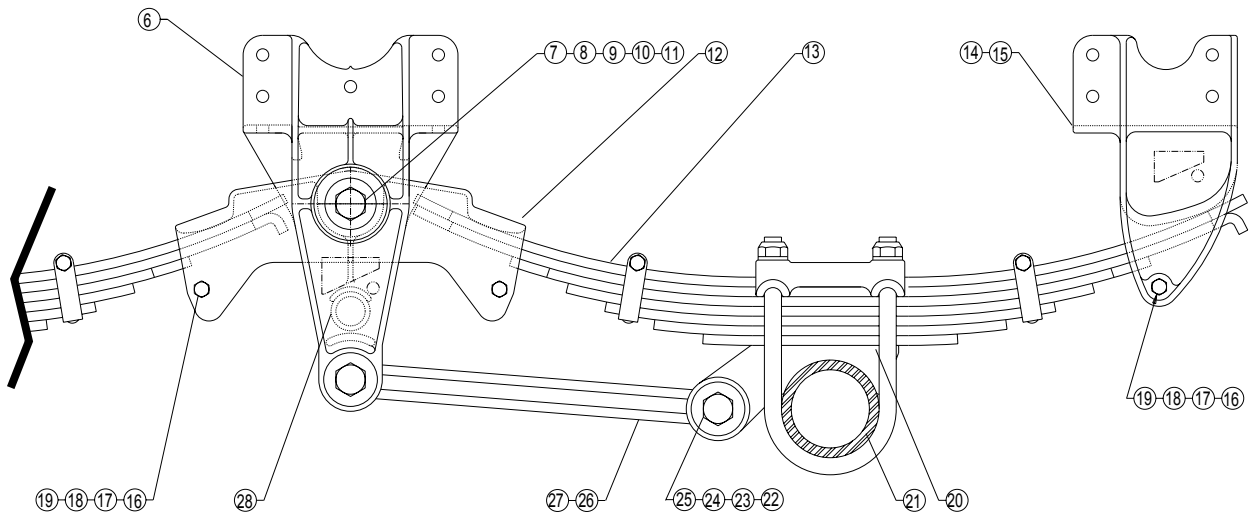
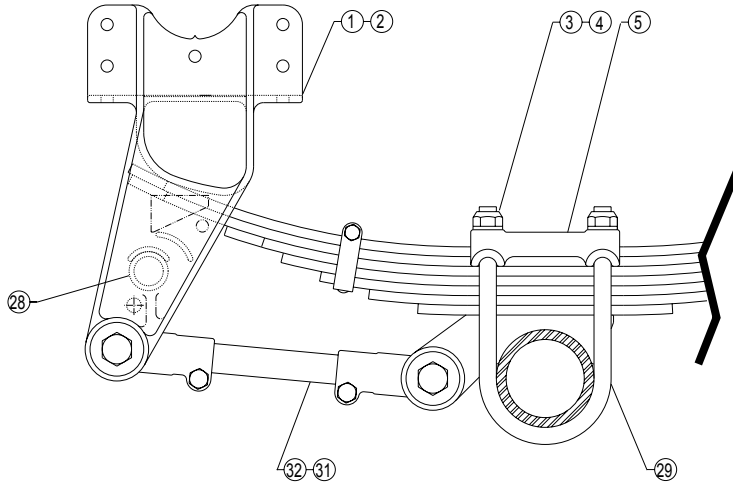
5. Install the second bushing through the other hanger eye, large end to the outside.
6. Push bushing through hanger eye into the torque arm end, keep torque arm centered in the hanger.
7. Install second washer on bolt & push against bushing, keep torque arm centered in hanger.



8. Install lock nut & tighten till contact is made with the outside washer. Make sure to keep torque arm centered & gaps visible between washers & hanger side, plus keep a visible gap between inside hanger sides & torque arm end casting.
9. Use an impact gun to tighten the assembly. The bolt & nut assembly should be tightened to 140 to 160 ft. pounds of torque.

Suspensions

Reyco - 21B



SUS
 Suspension Components
 Reyco
 Graining

Reyco - 21B

Components

Item	Part Number	Description
1	REYT5424	Front Hanger, Right
2	REYT5425	Front Hanger, Left
3	REY14344-01	Lock Nut: 7/8 in.
4	REY20852-01	Washer: 7/8 in.
5		Top U-Bolt Plate
6	REYT5426	Center Hanger
7	REY14248-01	Equalizer Bolt: 1 in.
8	REY14250-01	Lock Washer: 1 in.
9	14249-01 ^	Equalizer Compression Washer
10	REYT5524	Equalizer Bearing
11	REY14247-01	Equalizer Shaft
12	REY21725-01	Equalizer
13	PROSU-TRA3384	Spring
14	REYT5428	Rear Hanger, Right
15	REYT5429	Rear Hanger, Left
16	REYT5544	Cap Screw: 1/2 in. x 4-3/4 in.
17	REYT-1704	Hex Nut: 1/2 in.
18	REYT-1705	Lock Washer: 1/2 in.
19	REYT2106	Spring Roller

Item	Part Number	Description
20		Axle Seat
21		Axle
22	REYT5492	Torque Arm Bolt
23	REYT5495	Lock Nut: 1 in.
24	REYT2224	Torque Arm Washer
25	REYT5493	Torque Arm Bushing
	Torque Arm	Rigid
26	REY15178-01	Front 16-1/4 in. Curbside
27	REY15179-01	Rear 18-7/8 in. Curbside
	Torque Arm	Adjustable
21		Pipe Brace
29		U-Bolt
30	REY15172-01	Front 16-1/4 in. Roadside
31	REY15173-01	Front 18-7/8 in. Roadside

U-Bolt

Part Number	Length
REY24213-115	11-1/2 in.
REY24213-125	12-1/2 in.
REY24213-130	13 in.
REY24213-135	13-1/2 in.
REY24213-140	14 in.
REY24213-145	14-1/2 in.
REY24213-150	15 in.
REY24213-160	16 in.
REY24213-175	17-1/2 in.

Typical Clamp Group Parts

Top Plate	Axle Seat	Seat Height	Bottom Plate
REYT7175	REY09730-01	3/4 in.	N. N.
REYT7175	REY08757-01	3-1/4 in.	N. N.
REY23334-01	REY09730-01	3/4 in.	REY09139-01
REY23334-01	REY09730-01	3/4 in.	REY0538-00
REY23334-01	REY08757-01	3-1/4 in.	REY0538-00
REY23334-01	REY07980-01	3/4 in.	REY09229-01
REY23334-01	REY08060-01	3-1/4 in.	REY09229-01
REY23334-01	REY10114-01	3/4 in.	REYT5481
REY23334-01	REY10114-01	3/4 in.	REY08480-01
NA	REY10114-01	3/4 in.	REYT5727
NA	REY10114-01	3/4 in.	REYT5727

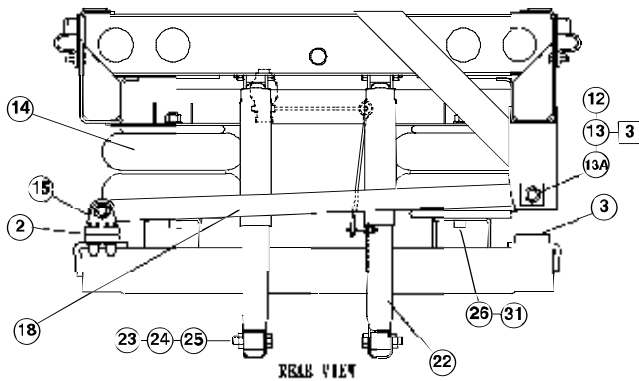
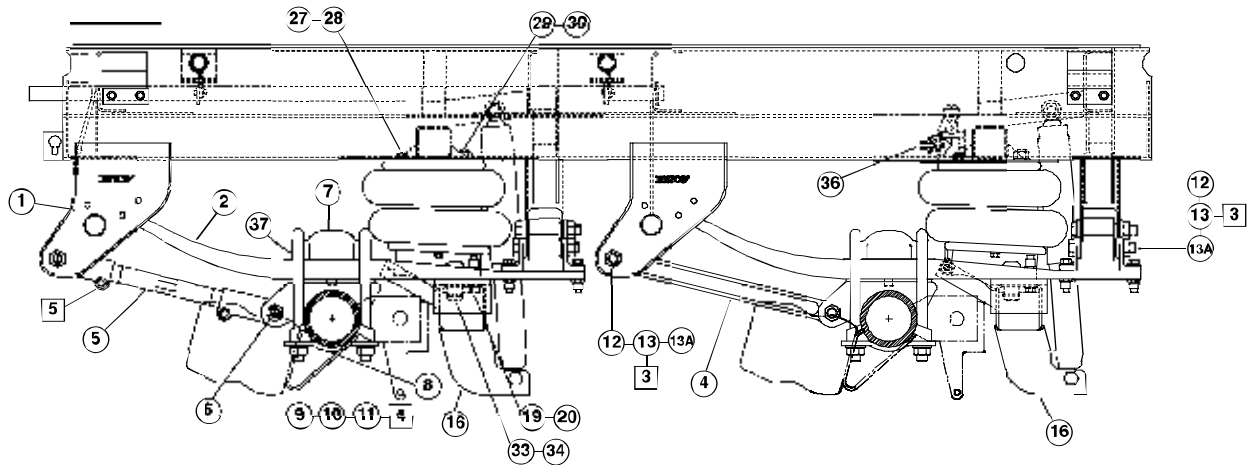
Leaf Spring

Part Number	Leaf	Arch	Capacity	Length
08376-01 ^	3	Medium	11,000 lbs.	42 in.
12609-01 ^	7	Medium	9,000 lbs.	42-1/2 in.
PROSU-TRA038	1	Medium	12,500 lbs.	42 in.
18906-01 ^	9	Medium	9,000 lbs.	55 in.
PROSU-TRA3384	3	Medium	12,500 lbs.	42 in.
TSPTRA2256	7	Medium	9,000 lbs.	42-1/4 in.
PROSU-TRA2270	8	Medium	11,000 lbs.	42-1/4 in.
REYT5547	7	High	9,000 lbs.	42-1/2 in.
STATRA031	1	Medium	11,000 lbs.	42-7/10 in.
TSPTRA2282	8	Low	11,000 lbs.	42-1/2 in.
REYT5597	8	High	11,000 lbs.	42-1/2 in.
PROSU-TRA035	1	Medium	11,000 lbs.	36-1/2 in.
T7321 ^	1	High	11,000 lbs.	42.18 in.
PROSU-TRA2297	9	Medium	13,000 lbs.	41-3/4 in.

^Part included for reference only.

Suspensions

Reyco - 86AR / RS1035



SUS
 Suspension Components
 Reyco
 Graning

Reyco - 86AR / RS1035

Components

Item	Part Number	Description
1	REY21643-48	Slider/Hanger Assembly
	REY22662-01	Hanger
2	PROSU-TRA074	Left Beam (XRef#19913-01)
3	PROSU-TRA075	Right Beam (XRef#19914-01)
4	REY0075-20	Rigid Torque Arm
5	REY1035-20	Adjustable Torque Arm
6		Axle Seat (See Chart)
7	REY23334-01	Top Plate
8	REY0538-00	Bottom Plate: 5 in. Round
9		U-Bolt (See Chart)
10	14311-01 ^	Lock Nut: 3/4 in.
11	REY20852-01	Washer: 3/4 in.
12	REY0001-08	Torque Arm Bolt: 7/8 in.
13	REY14345-01	Lock Nut: 7/8 in.
13A	REYT7292	Washer: 7/8 in.
14	REY20018-01	Air Spring
15	REY21491-01	Track Rod Bracket
16	REY19789-02	Air Spring Support
18	REY10910-01	Track Rod
19	REY20560-20	Huck® Bolt: 1/2 in.
20	REY20561-01	Huck® Collar: 1/2 in.

Item	Part Number	Description
22	REY18165-01	Shock Absorbers
23	08210-01 ^	Shock Absorber Bolt
24	REY14344-01	Shock Absorber Nut
25	REY20852-01	Washer: 3/4 in.
26	REY20029-01	Nut: 3/8 in.
27	12920-01 ^	Nut: 1/2 in.
28	REYT-1705	Lock Washer: 1/2 in.
29	08211-01 ^	Nut: 3/4 in.
30	T-3164 ^	Lock Washer: 3/4 in.
31	REYT-1859	Lock Washer: 3/8 in.
33	REY21194-01	Huck® Bolt: 7/8 in.
34	REY21195-01	Huck® Collar: 7/8 in.
36	Height Control Valve & Linkage	
	REY23329-01	1/4 in.
	REY23329-02	3/8 in.
37	REY1681000	Spring Liners

Axle Seat

Mounting Height	Axle Seat	U-Bolt Length	U-Bolt
14 in.	0836-01	11 in.	REY19780-110
14-1/2 in.	0836-015	11-1/2 in.	REY19780-115
15 in.	0836-02	12 in.	REY19780-120
15-1/2 in.	0836-025	12-1/2 in.	REY19780-125
16 in.	0836-03	13 in.	REY19780-130
16-1/2 in.	0836-035	13-1/2 in.	REY19780-135
17 in.	0836-04	14 in.	REY19780-140

86AR Slider

Slider Assembly	Subframe with Hangers	Axle Spacing	Frame Width
21581-48(*42)	21580-48(*42)	48.41 in.	48(*42)
21642-48(*42)	21643-48(*42)	48.41 in.	48-7/16(*42-7/16)
21927-48(*42)	21928-48(*42)	48.41 in.	48-3/8(*42-3/8)
21974-48(*42)	21970-48(*42)	59.41 in.	48(*42)
21975-48(*42)	21971-48(*42)	59.41 in.	48-3/8(*42-3/8)
21976-48(*42)	21972-48(*42)	71.41 in.	48(*42)
21977-48(*42)	21973-48(*42)	71.41 in.	48-3/8(*42-3/8)
22630-48(*42)	22628-48(*42)	59.41 in.	48-7/16(*42-7/16)
22631-48(*42)	22629-48(*42)	71.41 in.	48-7/16(*42-7/16)

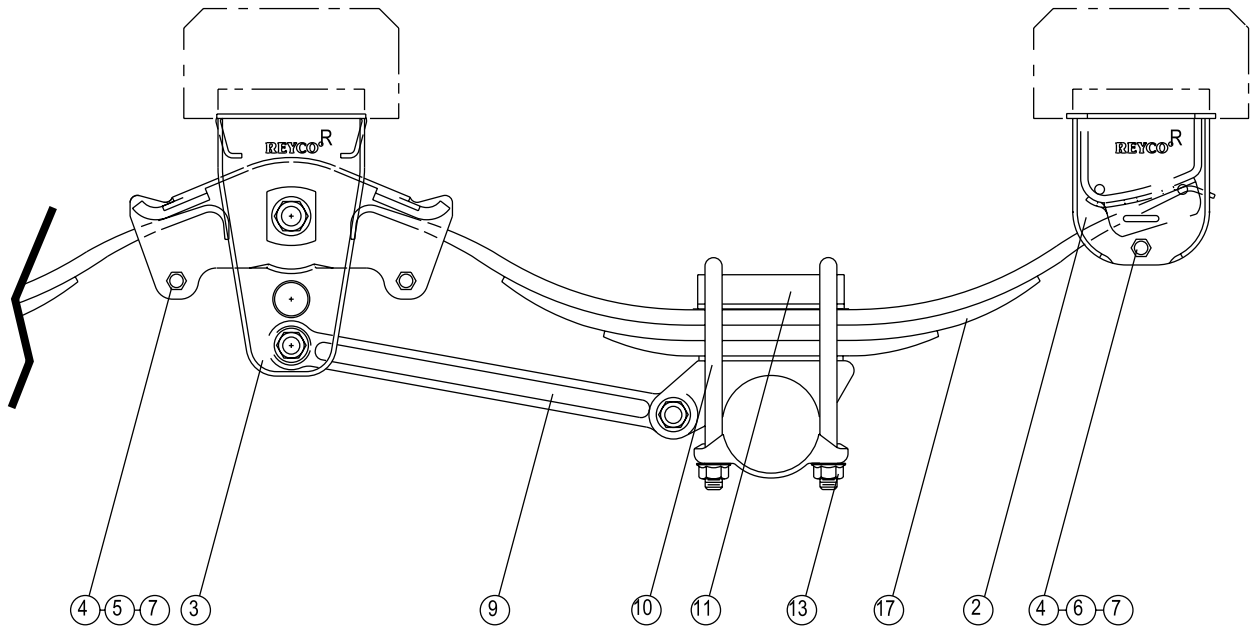
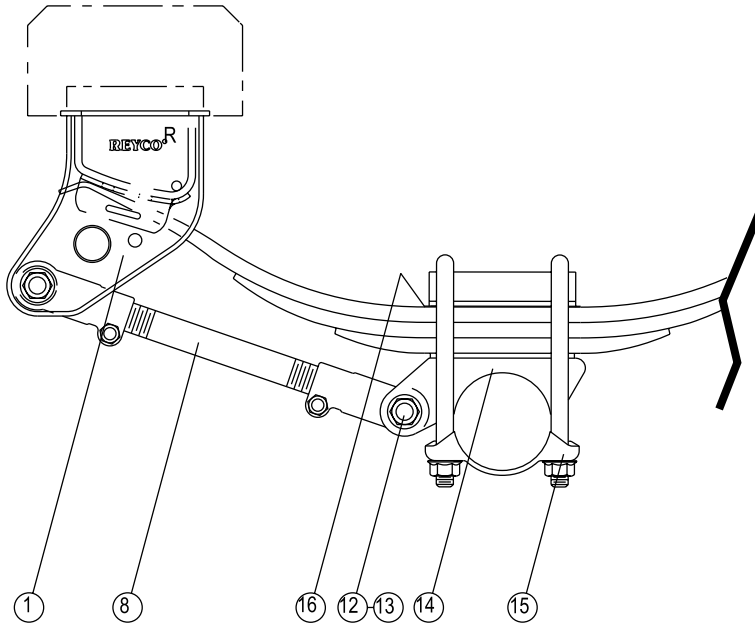
Kit

Torque Arm Bolt Kit **REY0001-8**

^Part included for reference only.

Suspensions

Binkley - CB400/ CB4000



Reyco
Graining

Suspension Components

SUS

Binkley - CB400/ CB4000

Components

Item	Part Number	Description
1		Front Hanger
2		Rear Hanger
3	REY0652-00	Equalizer Hanger & Beam Assembly
4	REY0741-01	Spring Roller: 3/4 in. O.D.
5	REY0001-04	Bolt: 5/8 in.-18 x 4-1/2 in.
6	REY0001-02	Bolt: 5/8 in.-18 x 5-1/2 in.
7	REY0002-07	Lock Nut: 5/8 in.-18
8	REY1035-20	Adjustable Torque Arm: 19-7/8 in.
9	REY0075-20	Rigid Torque Arm: 19-7/8 in.
10		U-Bolt: 7/8 in.-14

Item	Part Number	Description
11	REY23334-01	Top Plate
12	REY0001-08	Bolt: 7/8 in.-14 x 5-1/4 in.
13	REY0002-12	Flange Lock Nut: 7/8 in.-14
14		Axle Seat
15	REY0880-00	Bottom Plate
16	16810-02^A	Spring Liner
17		Spring

Hanger Selection

Mount	Model	Location	Front	Rear
Straddle	86		0046-00	0051-00
Straddle	88		REY0046-20	REY0051-20
Under	86		0049-00	0053-00
Under	88		REY0084-00	REY0086-00
Flange	86	Left	0311-01	0313-01
Flange	86	Right	0311-02	0313-02
Flange	88	Left	REY0400-01	REY0402-01
Flange	88	Right	REY0400-02	REY0402-02
Side	88	Left	REY0894-01	0952-01
Side	88	Right	REY0894-02	0952-02

U-Bolt

Part Number	Length
08492-01	11 in.
08494-01	12 in.
08495-01	13 in.
09009-01	13-1/2 in.
08496-01	14 in.
08497-01	14-1/2 in.
08498-01	15 in.
08500-01	16 in.
08502-01	17 in.

Axle Seat Selection

Axle Seat	Height	Axle Style	Bottom Plate
REY0636-01	1 in.	5 in. Round	REY0880-00
REY0636-015	1-1/2 in.	5 in. Round	REY0880-00
REY0636-02	2 in.	5 in. Round	REY0880-00
REY0636-025	2-1/2 in.	5 in. Round	REY0880-00
REY0636-03	3 in.	5 in. Round	REY0880-00
REY0636-035	3-1/2 in.	5 in. Round	REY0880-00
REY0636-04	4 in.	5 in. Round	REY0880-00
REY0632-01	1 in.	5 in. Square	0149-00
0632-015	1-1/2 in.	5 in. Square	0149-00
0632-02	2 in.	5 in. Square	0149-00
0632-025	2-1/2 in.	5 in. Square	0149-00
0632-03	3 in.	5 in. Square	0149-00
0632-035	3-1/2 in.	5 in. Square	0149-00
0632-04	4 in.	5 in. Square	0149-00
0638-01	1 in.	4 in. x 6 in. Square	0150-00
0638-015	1-1/2 in.	4 in. x 6 in. Square	0150-00
0638-02	2 in.	4 in. x 6 in. Square	0150-00
0638-025	2-1/2 in.	4 in. x 6 in. Square	0150-00
0638-03	3 in.	4 in. x 6 in. Square	0150-00
0638-035	3-1/2 in.	4 in. x 6 in. Square	0150-00
0638-04	4 in.	4 in. x 6 in. Square	0150-00

Leaf Spring

Part Number	Leaf	Arch	Capacity
PROSU-TRA3340	3	High	11,000 lbs.
PROSU-TRA3341	3	Low	
REY0693-00	3	Medium	
REY0724-00	3	High	12,500 lbs.
PROSU-TRA3373	3	Low	

^APart included for reference only.

Suspensions

Reyco Components

Frame Bracket

	Location	Type	Mount	Additional
REY0400-01	Left Hand	Front	Flanged	Transpro 88
REY0400-02	Right Hand	Front	Flanged	Transpro 88
REY0401-00	-	Center	Flanged	Transpro 88
REY0402-01	Left Hand	Rear	Flanged	Transpro 88
REY0402-02	Right hand	Rear	Flanged	Transpro 88



(REY0400-01/
REY0400-02)



(REY0401-00)



(REY0402-01/
REY0402-02)

Frame Bracket

	Location	Type	Mount	Additional
REYT5562	Right Hand	Front	Under	21B
REYT5563	Left Hand	Front	Under	21B
REYT5564	-	Center	Under	21B
REYT5565	Left Hand	Rear	Under	21B
REYT5566	Right Hand	Rear	Under	21B



(REYT5565/
REYT5566)



(REYT5564)



(REYT5562/
REYT5563)

Frame Bracket

	Type	Mount
REY0084-00	Front	Under
REY0088-00	Center	Under
REY0086-00	Rear	Under



(REY0084-00)



(REY0088-00)



(REY0086-00)

Reyco Components

Frame Bracket REY22662-01



Type: Front & Rear
For: RS1015 & RS1035 after 1997

Pivot Bushing Kits

For
One Beam **REYK704656**
Two Beam **REYK704657**



Torque Arm Bushing REY09729-01



Torque Arm Bushing REYT5493



Equalizer Bushing Kits

Kit	For	Does
REYTK18998	21B	1 Equalizer
REYTK12506	21B	2 Equalizers



Torque Bushing Kits

Kit	Bolt	Bushing	Washer	Lock Nut	Additional
REYTK18997	REYT5492	REYT5493	REYT2224	REYT5495	Kit for 1 end
REYT7319	REYT5492	REYT5493	REYT2224	REYT5495	Kit for 8 ends



Suspension Components


Reyco
Grainings

SUS


Suspensions

Reyco Components

Type	Length	Torque Arm
Fixed	19-7/8 in.	REY0075-20
Adjustable	19-7/8 in.	REY1035-20




REY0075-20



REY1035-20

With bushing

Torque Arm
REY16034-01




Length: 25-1/4 in.
With bushing

Torque Arm

	Length	Type
REY15172-01	16-1/4 in.	Adjustable
REY15173-01	18-7/8 in.	Adjustable
REY15178-01	16-1/4 in.	Fixed
REY15179-01	18-7/8 in.	Fixed




Equalizer
REY0650-00



Construction: Fabricated
Includes: Bushings
Axle Centers: 49 in.

Equalizer
REY0850-00



Construction: Cast
Includes: Bushing
Axle Centers: 49 in.

Equalizer
REY21725-01



Less Bushing
Axle Centers: 49 in.

Equalizer
REYT5427



Less Bushing
Axle Centers: 49 in.

Reyco
Grainings
SUS
Suspension Components

Reyco Components

Stablizer Bracket
REY21491-01



Track Rod Assembly
REY10910-01



For: 48 in. Slider Width

Slider Pin
REY19753-01



Diameter: 1-3/8 in.

Slider Pin
REY20740-01



Style: Hutch
Diameter: 1-5/8 in.

Pin Kit
REYK704962



Pin Size: 1-5/8 in.

Slider Pin Spring Linkage
REY703940-01



Slider Pin Compression Spring
REY19638-01



Spring Beam



Suspension Components

Reyco
Granning

SUS

Suspensions

Reyco Components

Spring Roller Kit
REYTK19011



For: E-1975, 9-2370, SA1018, M-2819

Slider Clip
REY19766-01



2-1/2 in. Hole Center to Center

Hanger Wear Pad
REY0045-00



Hanger Wear Plate
REY15630-01



Hanger Wear Pad
REY24017-01



Hanger Wear Pad
REY1216-00



Spacer Block
REYT7716



Length: 1 in.

Spring Seat
REY0636-01



Size: 1 in.
Axle: 5 in. Round

Reyco
Graining
Suspension Components

SUS

Reyco Components

Spring Seat
REY09730-01



Size: 3/4 in.
Axle: 5 in. Round For: 21B

Wabash Components

Stop Bar Assembly
WAB09400306



Length: 50-1/4 in.

Stop Pipe Weld Tab
WAB09S00847



1/4 in. x 1 in. x 3 in.

Slider Gusset

Location	Part Number
Right Hand	WAB09400479
Left Hand	WAB09400480



Slide Rail Gusset
WAB09400050



Miscellaneous Components

Equalizer
AUTEQ039



NF2 Suspension
Includes: Bushing

Slider Pin Assembly
TSCPMA-183



Suspension Components

Reyco
Granning

WABASH

SUS

Suspensions

Miscellaneous Components

Quick Align Pivot Bushing Kit
PROSU-24679

Pro-Par



For: Wide Bushing

Quick Align Bushing Kit
PROSU-24705

Pro-Par



For: Narrow Bushing

Concentric Alignment Collar
PROSU-20924

Pro-Par



Eccentric Alignment Collar
PROSU-20925

Pro-Par



Quick Align Bushing Kit
PROSU-24691

Pro-Par



Wide Bushing
Less Collars

Quick Align Bushing Kit
PROSU-26321

Pro-Par



Narrow Bushing
Less Collars

Bushing Kit
PROSU-6914

Pro-Par



Welded Alignment
Wide Bushing



Suspension Components

SUS

U-Bolts

Fruehauf

	Size	Length	Width	Thread Length	Style	Included
FRUUXA0046-901	7/8 in.	12-1/2 in.	3 in.	5 in.	Round	(2) U-Bolts, (4) Nuts, (4) Washers
FRUUXA0046-902	7/8 in.	13-1/2 in.	3 in.	5 in.	Round	(2) U-Bolts, (4) Nuts, (4) Washers
FRUUXA0046-917	7/8 in.	14-1/2 in.	3 in.	5 in.	Round	(2) U-Bolts, (4) Nuts, (4) Washers
FRUUXA0046-918	7/8 in.	17 in.	3 in.	5 in.	Round	(2) U-Bolts, (4) Nuts, (4) Washers
FRUBXE0460-900	1 in.	12-3/4 in.	5-1/16 in.	6 in.	Square	(2) U-Bolts, (4) Nuts, (4) Washers
FRUUCD5640-901	1-1/8 in.	12-1/4 in.	5-1/16 in.	2-3/4 in.	Square	(2) U-Bolts, (4) Nuts, (4) Washers
FRUUCD8680-901	1-1/8 in.	13-1/4 in.	5-1/16 in.	2-1/2 in.	Square	(2) U-Bolts, (4) Nuts, (4) Washers



Round



Square

Hendrickson

	Length	Style	Included
HENS-21140	8 in.	Stepped	(4) U-Bolts, (8) Nuts, (8) Washers
HENS-21140-4	8 in.	Stepped	(1) U-Bolt, (2) Nuts, (2) Washers
HENS-22894-4		Flattened	(1) U-Bolt, (2) Nuts, (2) Washers
HENS-3650-4	8-5/8 in.	Round	(1) U-Bolt, (2) Nuts, (2) Washers



(HENS-21140)



(HENS-21140-4)



(HENS-22894-4)



(HENS-3650-4)

Hutchens

	Size	Length	Width	Thread Length	Style
HUT7816-10	7/8 in.	11-3/4 in.	5 in.		Round
HUT7816-12	7/8 in.	12-3/4 in.	5 in.	3-1/2 in.	Round
HUT10060-01	0.706 in.	7 in.	5-1/8 in.	3 in.	Round



FRUEHAUF

HENDRICKSON

Hutchens Industries
The Original Equipment Manufacturer

Suspension Components

SUS

Suspensions

U-Bolts

SAF-Holland

	Size	Length	Width	Thread Length	Style	Included
BINSPK0010	3/4 in.	9-7/8 in.	3 in.		Square	(2) U-Bolts, (2) Nuts, (2) Washers
BINSPK0013	3/4 in.	12 in.	3 in.		Square	(2) U-Bolts, (2) Nuts, (2) Washers
BINXB-SP0074-KU	3/4 in.	9-7/8 in.	3 in.		Square	
NEW900-41-878	1 in.	9 in.	6-5/16 in.	2-1/4 in.		



(BINSPK0010)



(BINSPK0013)



(BINXB-SP0074-KU)



(NEW900-41-878)

Pro-Par

	Size	Length	Width	Thread Length	Included
BLT31464812	3/4 in.	12-1/2 in.	3 in.	6 in.	(2) U-Bolts, (2) Nuts, (2) Washers
BLT31464813	3/4 in.	13-1/2 in.	3 in.	6 in.	(2) U-Bolts, (2) Nuts, (2) Washers
BLT31464814	3/4 in.	14-1/2 in.	3 in.	6 in.	(2) U-Bolts, (2) Nuts, (2) Washers
BLT31464815	3/4 in.	15-1/2 in.	3 in.	6 in.	(2) U-Bolts, (2) Nuts, (2) Washers
BLT31464816	3/4 in.	16-1/2 in.	3 in.	6 in.	(2) U-Bolts, (2) Nuts, (2) Washers
BLT31464810	3/4 in.	15-1/2 in.	5 in.	6 in.	(2) U-Bolts, (2) Nuts, (2) Washers
BLT31464900	7/8 in.	12 in.	3 in.	6 in.	(2) U-Bolts, (2) Nuts, (2) Washers
BLT31464903	7/8 in.	13 in.	3 in.	6 in.	(2) U-Bolts, (2) Nuts, (2) Washers
BLT31464904	7/8 in.	14 in.	3 in.	6 in.	(2) U-Bolts, (2) Nuts, (2) Washers
BLT31464905	7/8 in.	15 in.	3 in.	6 in.	(2) U-Bolts, (2) Nuts, (2) Washers
BLT31465000	7/8 in.	16 in.	3 in.	6 in.	(2) U-Bolts, (2) Nuts, (2) Washers
BLT31465010	7/8 in.	16 in.	3-1/2 in.	6 in.	(2) U-Bolts, (2) Nuts, (2) Washers
BLT31464912	7/8 in.	12 in.	5 in.	6 in.	(2) U-Bolts, (2) Nuts, (2) Washers
BLT31464910	7/8 in.	15 in.	5 in.	6 in.	(2) U-Bolts, (2) Nuts, (2) Washers



Wheel End 929-966

Hubodometers	930-931
Bearings	932-933
Hubs & Drums	934-956
Assemblies	934
Drums	935-936
Hubs	937-938
Hubcaps	939-951
Seals.	952-956
Wheels	957-959
Rims	958
Spacer Bands	959
Wheel Attaching Parts	960-966



Hubodometers

Stemco

DataTrac® Pro

Part Number	RPM
STE600-5526	526
STE600-5529	529
STE600-9999	Programmable



Accessories

Programmer
STE801-6000

Electronic Mileage Counter, LCD

Mechanical

Part Number	RPM
STE650-0598	500
STE650-0601	504
STE650-0608	520
STE650-0610	522
STE650-0613	532
STE650-0626	570

Part Number	RPK
STE650-0532	300
STE650-0539	315
STE650-0545	324



RPM



RPK

Veeder-Root

Mechanical

Part Number	RPM
VEE777717-500	500
VEE777717-510	510
VEE777717-514	514
VEE777717-520	520
VEE777717-572	572

Part Number	RPK
VEE777727-310	310



STEMCO

VEE-ROOT

Hubodometers

WHL

More Information

www.MyAuroraPlus.com

Need more information on a particular trailer? Log into www.MyAuroraPlus.com for Aurora's Graphical Bill of Material (GBOM). Easily point and click through visual elements of a trailer to drill down to an individual trailer component.

Hubdometers Brackets

Bolt Circle Diameter	Stud Size	Height	
			NATW084B

Federal Mogul



Bolt Circle Diameter	Stud Size	Height	
5-1/2 in.	5/16 in.	3-1/2 in.	VEE325614-012

Veeder-Root



Part Number	Height	Stud Size	Bolt Circle Diameter
STE610-0028	4 in.	5/16 in.	5-1/2 in.
STE610-0065	3-1/2 in.	5/16 in.	5-1/2 in.
STE610-0084	5 in.	5/16 in.	6-3/4 in.



Stemco

More Information
Hubdometers

A Hubdometer is fixed to an axle of your trailer or truck in order to measure how many miles your vehicle has traveled. Being able to accurately gauge your traveled distance, you can reduce the number of times you may need to stop for unexpected maintenance.

Bearings

Industry Standard Numbers

Cone	+	Cup	=	Set	Spindle	Axle
580		572		SET401	Tapered	Drive
582		572		SET402	Tapered	Drive
594A		592A		SET403	Tapered	Drive
663		653		SET405	Tapered	Drive
3782		3720		SET406	Tapered	Steer
39590		39520		SET408	Tapered	Drive
47686		47620		SET411	Tapered	Drive
HM212047		HM212011		SET412	Tapered	Steer, Trailer
HM212049		HM212011		SET413	Tapered, TN	Steer, Trailer
HM218248		HM218210		SET414	Tapered, TN	Trailer
HM518445		HM518410		SET415	Parallel	Trailer
47679		47620		SET426	Tapered	Drive

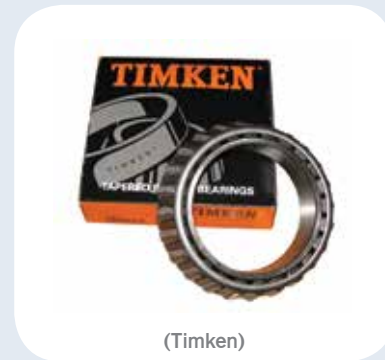


Manufacturer Specific

Manufacturer	Prefix	Cone Example	Set Example
Federal Mogul	NAT	NAT580	NATSET401
General Bearing	HYT	HYT580	HYTSET401
Pro-Par	PROBR	PROBR580	PROBRSET401
Timken	TIM	TIM580	TIMSET401
Stemco	STE	STE580	STEASET580-72

Quick Reference Popular Bearing Sets

Manufacturer	Set	Cone	Cup
Pro-Par	PROBRSET401	PROBR580	PROBR572
	PROBRSET403	PROBR594A	PROBR592A
	PROBRSET405	PROBR663	PROBR653
	PROBRSET406	PROBR3782	PROBR3720
	PROBRSET413	PROBRHM212049	PROBRHM212011
	PROBRSET414	PROBRHM218248	PROBRHM218210
	PROBRSET415	PROBRHM518445	PROBRHM518410
Timken	TIMSET401	TIM580	TIM572
	TIMSET402	TIM582	TIM572
	TIMSET403	TIM594A	TIM592A
	TIMSET405	TIM663	TIM653
	TIMSET406	TIM3782	TIM3720
	TIMSET408	TIM39590	TIM39520
	TIMSET411	TIM47686	TIM47620
	TIMSET412	TIMHM212047	TIMHM212011
	TIMSET413	TIMHM212049	TIMHM212011
	TIMSET414	TIMHM218248	TIMHM218210
	TIMSET415	TIMHM518445	TIMHM518410
	TIMSET426	TIM47679	TIM47620



Bearings

WHL

TIMKEN

TIMKEN COMMERCIAL VEHICLE WHEEL END COMPONENTS



Timken Experience

As a company of engineers and innovators, we know the right ways to make products and the best materials to use.

Timken Tested

We have created strict testing standards drawing upon OE experience used to validate our products.

Timken Performance

Timken delivers reliable, precise products demonstrating consistent performance even outperforming the competition 2-1*.

Timken Value

Pull out a Timken product from an orange and black box with confidence, knowing it's tested, proven and will operate consistently the way it should.

2:1

Timken®
Commercial Vehicle
Wheel End Bearings

Outperform the Competition by
a 2:1 Margin.

Performance Comparison*
580/572 (Set 401)



COMMERCIAL VEHICLE WHEEL END COMPONENTS LIMITED WARRANTY

Operate with greater protection for trucks up to 5 years and 500,000 miles and trailers up to 7 years and unlimited mileage.

Scan the QR code or visit the web link for more warranty details.



www.timken.com/cvwarranty

*Information derived from Bearing Fatigue Life Test Machines. Testing methods accepted by original equipment manufacturers. Data represents the median test life.

Hub & Drum Assemblies

Part Number	Drum Type	Spoke	Diameter	Spacer	Bearing Cup Inner/ Outer	Included
KIC001-75000TH	52230-10	5	20 in.	4.00 in.	HM218210 HM212011	cups, clamps, tone rings & spacer
Part Number	Drum Type	Spoke	Diameter	Spacer	Bearing Cup Inner/ Outer	Included
KICHUB-75000TH	None	5	20 in.			clamps, tone ring & spacer
WEB75209--A	Spoke	5	20 in.	4.00 in.	HM218210 HM212011	cups, clamps, studs & nuts
WEB85203--A	Spoke	5	20 in.	4.00 in.	653 HM212011	cups, clamps, studs & nuts



(KIC001-75000TH)



(KICHUB-75000TH)



(WEB75209--A/
WEB85203--A)

Cross Reference

Brake Drums

Pro-Par	Webb	Gunite	Meritor	KIC
PROBD16.5X7BMI	WEB66864B	3600AX	DAY85-123207-002	KIC60001-018
PROBD16.5X7BM				KIC60001-018 USA

KIC	Webb	Gunite	Meritor
KIC51952-11	WEB68897F	8656	DAY03-120743-002
KIC52020-01	WEB62200F	2705	DAY03-012582-002
KIC52120-12	WEB68981F	3295A	DAY03-122683-002
KIC52230-10	WEB67518F	2983C	DAY03-122222-002
KIC52327-10	WEB68730F	3018A	DAY03-122126-002
KIC52705-30	WEB66895F	3141	DAY03-122550-002
KIC52705-308	WEB66895B	3141X	DAY85-122550-002
KIC52877-11	WEB60876F	3120	DAY03-120877-002
KIC52890-13	WEB62997F	2997D	DAY03-123430-002
KIC53026-01	WEB66893F	3166	DAY03-122607-002
KIC53033-30	WEB66875F	3141B	DAY03-123409-002
KIC53075-018	WEB61527B	3721X	DAY85-123366-002

KIC	Webb	Gunite	Meritor
KIC54201-108	WEB61528B	3721AX	DAY85-123254-002
KIC54202-01	WEB66873F	3402	DAY03-123397-002
KIC54203-01	WEB61788F	3197	DAY03-120936-002
KIC54213-018	WEB66353B	3757X	
KIC54229-018	WEB66854B	3807X	
KIC54238-018	WEB65654B	3710X	DAY85-123383-002
KIC54248-018	WEB65152B	3687X	DAY85-123399-002
KIC54261-018	WEB66884B	3576X	DAY85-123365-002
KIC54269-018	WEB66800B	3782X	DAY85-123520-002
KIC54293-018	WEB65548B	3800X	DAY03-123448-002
KIC60001-01	WEB66864F	3600A	DAY03-123207-002
KIC60000-018	WEB56864B	3922X	

KIC

WEBB

Hubs & Drums

WHL

Disc Wheel Brake Drums

12.25 Brake Size

Part Number	Brake Size	Bolt Number	Bolt Circle Diameter	Pilot Diameter	Surface Flat	Weight	Type
WEB63631	12-1/4 x 7-1/2	10	8-3/4 in.	7-1/8 in.	8-1/8 in.	80.90 lbs	OEM
WEB63637	12-1/4 x 7-1/2	6	8-1/4 in.	7 in.	7-13/16 in.	80.25 lbs	OEM
WEN03-00050	12-1/4 x 7-1/2	8	10-53/64 in.	9 in.	9-27/32 in.	93.00 lbs	Low-Boy, Cast
WEB63680F	12-1/4 x 8.00	8	10-53/64 in.		9-61/64 in.	89.80 lbs	OEM

15.00 Brake Size

Part Number	Brake Size	Bolt Number	Bolt Circle Diameter	Pilot Diameter	Surface Flat	Weight	Type
GUN3800X	15.00 x 4.00	10	11-1/4 in.	8-25/32 in.	4-1/2 in.	79.00 lbs	Tru-Pilot
CMT10009920	15.00 x 4.00	10	11-1/4 in.		4-39/64 in.	80.00 lbs	Steer, TruTurn®
CMT10081828	15.00 x 4.00	10	11-1/4 in.		4-21/32 in.	75.00 lbs	TruTurn®
DAY85-123382-002	15.00 x 4.00	10	11-1/4 in.		4-25/32 in.	67.00 lbs	Balanced
MOT90089BK	15.00 x 4.00	10	285-3/4 in.		4-33/64 in.	66.00 lbs	OEM

16.50 Brake Size

Part Number	Brake Size	Bolt Number	Bolt Circle Diameter	Pilot Diameter	Surface Flat	Weight	Type
WEB66875	16-1/2 x 7.00	8	10-53/64 in.	9 in.	7-13/16 in.	114.25 lbs	OEM
MOT88797B	16-1/2 x 7.00	8	10-53/64 in.		7-41/64 in.	92.00 lbs	OEM, Balanced
KIC53033-30	16-1/2 x 7.00	8	10-53/64 in.		7-5/8 in.	114.00 lbs	OEM
CMT10014756	16-1/2 x 5.00	10	11-1/4 in.	8-25/32 in.	5-1/2 in.	85.00	CastLite
CMT10020147	16-1/2 x 5.00	10	11-1/4 in.		5-1/4 in.	92.00 lbs	TruTurn®
CMT10041543	16-1/2 x 5.00	10	11-1/4 in.		5-41/64 in.	86.00 lbs	TruTurn®
CMT10033071	16-1/2 x 6.00	10	11-1/4		6-13/32 in.	109.00 lbs	TruTurn®
DAY53-123564-002	16-1/2 x 7.00	10	11-1/4 in.	8-17/32 in.	7-5/8 in.	112.00 lbs	
WEB66893F	16-1/2 x 7.00	10	11-1/4 in.		7-5/8 in.	115.75 lbs	OEM
DAY03-122607-002	16-1/2 x 7.00	10	11-1/4 in.		7-5/8 in.	114.00 lbs	OEM
GUN3922X	16-1/2 x 7.00	10	11-1/4 in.	8-25/32 in.	7 in.	103.00 lbs	Value, Balanced
WEB66826B	16-1/2 x 7.00	10	11-1/4 in.		7-3/8 in.	116.00 lbs	
WEB56864B	16-1/2 x 7.00	10	11-1/4 in.		7-9/16 in.	105.00 lbs	OEM, Balanced
GUN3600AX	16-1/2 x 7.00	10	11-1/4 in.		7-9/16 in.	108.00 lbs	Balanced
CMT10009830	16-1/2 x 7.00	10	11-1/4 in.		7-9/16 in.	112.00 lbs	Balanced, TruTurn®
WEB66884B	16-1/2 x 7.00	10	11-1/4 in.		7-5/8 in.	116.00 lbs	Balanced
DAY03-123207-002	16-1/2 x 7.00	10	11-1/4 in.		7-5/8 in.	120.00 lbs	OEM
DAY53-123537-002	16-1/2 x 7.00	10	11-1/4 in.		7-5/8 in.	92.00 lbs	OEM, Balanced
DAY85-123788-002	16-1/2 x 7.00	10	11-1/4 in.		7-35/64 in.	103.50 lbs	Balanced
PROBD16.5X7BML	16-1/2 x 7.00	10	11-1/4 in.		7-35/64 in.	102.00 lbs	Balanced
PROBD16.5X7BMLI	16-1/2 x 7.00	10	11-1/4 in.		7-35/64 in.	102.00 lbs	Balanced
PROBD16.5X7BM	16-1/2 x 7.00	10	11-1/4 in.		7-35/64 in.	108.00 lbs	Balanced
PROBD16.5X7BMI	16-1/2 x 7.00	10	11-1/4 in.		7-35/64 in.	108.00 lbs	Balanced
WEB66864	16-1/2 x 7.00	10	11-1/4 in.		7-35/64 in.	108.00 lbs	Unbalanced
WEB77864BW	16-1/2 x 7.00	10	11-1/4 in.	7-35/64 in.	111.00 lbs	Vortex	
MOT89996B	16-1/2 x 7.00	10	11-1/4 in.	7-39/64 in.	89.00 lbs	Balanced	
WEB66864B	16-1/2 x 7.00	10	11-1/4 in.	8-7/8 in.	7-35/64 in.	108.00 lbs	Balanced



Hubs & Drums



Disc Wheel Brake Drums

16.50 Brake Size

Part Number	Brake Size	Bolt Number	Bolt Circle Diameter	Pilot Diameter	Surface Flat	Weight	Type
KIC52705-308	16-1/2 x 7	10	11-1/4 in.	9 in.	7-53/64 in.	114.00 lbs	OEM, Balanced
WEB62200	16-1/2 x 7	10	11-1/4 in.		7-3/8 in.	109.00 lbs	
WEB60876	16-1/2 x 7	10	11-1/4 in.		7-1/2 in.	109.00 lbs	
DAY03-120877-002	16-1/2 x 7	10	11-1/4 in.	9-7/16 in.	7-1/2 in.	116.00 lbs	OEM
KIC52877-11	16-1/2 x 7	10	11-1/4 in.		7-1/2 in.	121.00 lbs	OEM
KIC52020-01	16-1/2 x 7	10	11-1/4 in.		7-5/8 in.	99.00 lbs	OEM
KIC53026-01	16-1/2 x 7-13/16	10	11-1/4 in.	8-17/32 in.	7-13/16 in.	114.00 lbs	OEM
DAY53-123535-002	16-1/2 x 8	10	11-1/4 in.		8-39/64 in.	103.80 lbs	
CMT10080760	16-1/2 x 8	10	11-1/4 in.		8-25/32 in.	120.00 lbs	TruTurn®
WEB66854B	16-1/2 x 8-5/8	10	11-1/4 in.		8-31/32 in.	120.00 lbs	OEM
DAY53-123544-002	16-1/2 x 8-5/8	10	11-1/4 in.	8-25/32 in.	9-5/64 in.	104.00 lbs	
CMT10012097	16-1/2 x 8-5/8	10	11-1/4 in.		9-1/8 in.	122.00 lbs	Balanced, TruTurn®
DAY03-123406-002	16-1/2 x 8-5/8	10	11-1/4 in.		9-15/64 in.	142.00 lbs	
CMT10025912	16-1/2 x 8-5/8	10	11-1/4 in.		9-9/16 in.	137.00 lbs	TruTurn®
WEB66814	16-1/2 x 8-5/8	10	11-1/4 in.		9-5/8 in.	131.58 lbs	OEM

Spoke Wheel Brake Drums

12.25 Brake Size

Part Number	Brake Size	Bolt Number	Bolt Circle Diameter	Pilot Diameter	Surface Flat	Weight	Type
WEB63637	12-1/4 x 7-1/2	6	8-1/4 in.	7 in.	7-25/32 in.	80.00 lbs	Unbalanced
WEB63617	12-1/4 x 7-1/2	6	10 in.	8-1/2 in.	8 in.	69.70 lbs	OEM

16.50 Brake Size

Part Number	Brake Size	Bolt Number	Bolt Circle Diameter	Pilot Diameter	Surface Flat	Weight	Type
DAY03-122222-002	16-1/2 x 7.00	5, 6	11 in.		7-3/8 in.	107.00 lbs	OEM
WEB67518	16-1/2 x 7.00	5, 6	11 in.	9-7/16 in.	7-3/8 in.	105.38 lbs	OEM
KIC52230-10	16-1/2 x 7.00	5, 6	11 in.		7-1/2 in.	99.00 lbs	OEM
WEB68765	16-1/2 x 7.00	5, 6	11-1/4 in.	9-1/2 in.	7-7/16 in.	108.00 lbs	OEM
DAY03-122126-002	16-1/2 x 7.00	10	11-1/4 in.		7-7/16 in.	115.00 lbs	OEM
WEB68730	16-1/2 x 7.00	10	11-1/4 in.	9-1/2 in.	7-7/16 in.	106.85 lbs	OEM
KIC52327-10	16-1/2 x 7.00	10	11-1/4 in.		7-1/2 in.	108.00 lbs	Fruehauf

KIC

WEBB

MERTOR

CONMET

Hubs & Drums

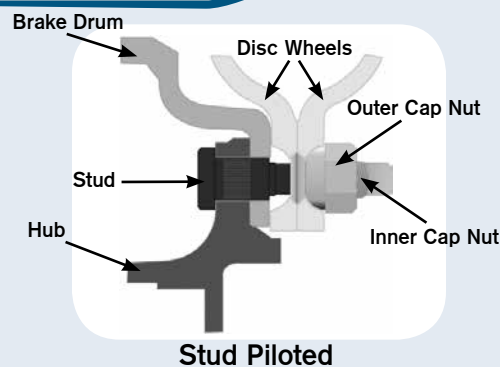
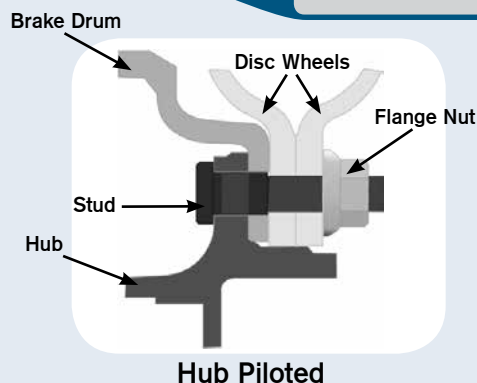
WHL

Hubs

Hub Piloted

Part Number	Stud Number	Hubcap Type	Stud Length	Wheel	Inner Bearing Cup	Outer Bearing Cup	Tone Ring	Mount
CMT10082225	10	Bolt On	Long	Aluminum	TN PreSet	TN PreSet	Yes	Outboard
CMT10082229	10			Aluminum	HM518410			
CMT10082250	10			Aluminum	HM218210	HM212011	Yes	
CMT10082252	10	Bolt On	Long	Iron	HM218210	HM212011	Yes	Outboard
CMT10082254	10	Bolt On	Long	Aluminum	HM518410	HM518410	Yes	Outboard
CMT10082256B	10		Long	Iron	HM518410	HM518410	Yes	Unimount
DAY04-15981-016	10		Short		BTH-0037	BTH-0037		Unitized
DAY04-15981-017	10		Long		BTH-0037	BTH-0037	Yes	Unitized
GUNHT818RD	10				653	HM212011		Outboard
PROHUB-00133T	8	Bolt On	Short	Steel	HM218210	HM212011	Yes	Outboard
PROHUB-01025LT	10	Bolt On	Long	Aluminum	HM212010	HM218211	Yes	Outboard
PROHUB-01025T	10	Bolt On	Short	Steel	HM212010	HM218211	Yes	Outboard
PROHUB-00130LT	10	Screw On	Long	Aluminum	HM518410	HM518410	Yes	Outboard
PROHUB-00130T	10	Screw On	Short	Steel	HM518410	HM518410	Yes	Outboard
PROHUB-00133LT	8		Long		TN		Yes	Unimount
PROHUB-01043LT	10	Bolt On	Long	Aluminum	HM518410	HM518410	Yes	Outboard
PROHUB-01043T	10	Bolt On	Short	Steel	HM518410	HM518410	Yes	Outboard
MOT20161W-102	10	Bolt On	Short	Steel	HM518410	HM518410	Yes	Outboard
MTRA2-333A4733	10							Unimount
MTRA6-333A4733	10							Unimount
WEB1020P	10	No Studs						Outboard
WEB2023PT	10	Bolt On	None	None	HM218210	HM212011	Yes	Outboard
WEB20231--3T	10	Bolt On	Short	Steel	HM218210	HM212011	Yes	Outboard
WEB20231--5T	10	Bolt On	Long	Aluminum	HM218210	HM212011	Yes	Outboard
WEB23431--3T	10		Short	Steel	HM518410	HM518410		
WEB23431--5T	10	Screw On	Long	Aluminum	HM518410	HM518410	Yes	Outboard
WEN10-00106-101	10	Bolt On	Long	Aluminum	HM218210	HM212011	Yes	Outboard
WEN10-00106-102	10	Bolt On	Long	Aluminum	HM218210	HM212011	Yes	Outboard
WEN10-00112-101	10	Bolt On	Long	Aluminum	HM518410	HM518410	Yes	Outboard
WEN10-00114-101	10		Long					Unimount

Tech Tip Identification



Wheel End

Hubs


Stud Piloted

Part Number	Stud Number	Hubcap Type	Stud Length	Wheel	Inner Bearing Cup	Outer Bearing Cup	Tone Ring	Mount
WEB10209--ML	10	Bolt On	Short	Steel	HM218210	HM212011	No	Outboard
WEB10209--MR	10	Bolt On	Short	Steel	HM218210	HM212011	No	Outboard

Accessories

Tone Rings

PROHUB-13237



Pro-Par
For PROHUB-00125LT, PROHUB-00125T, PROHUB-130LT, PROHUB-130T, PROHUB-143LT & PROHUB-143T

MTR09001867



Meritor
ABS

Hubcaps



WEBB

pro-par
ONE PARTS DAILY PARTS

Hubs & Drums

WHL

Hubs/Drums

938

800.621.7949

= Key Items

www.AuroraParts.com

Cross-reference parts are listed for reference only. © 2018 Aurora Parts & Accessories, LLC., All Rights Reserved

Hubcaps

Grease Application

Part Number	Spindle	Bolt Holes	Bolt Circle	Venting	Window	Cap Material	Gasket
CRS1343	TN	6	5-1/2 - 5-9/16 in.	Yes	-	Zytel	CRS453795
CRS1399	TP	6	6-3/4 in.	Yes	-	Zytel	CRS450799
CRS1399B	TP	6	6-3/4 in.	Yes	-	Zytel	CRS450799
DUADG6G	TN	6	5-1/2 in.	No	-	-	-
DUADG7.5G	TP	6	6-3/4 in.	No	359-6095	Aluminum	STE330-3118
DUADGPG	TP	Threaded	-	No	-	-	-
FRUACC7538-GRS	TP	Threaded	-	No	-	-	-
HENVS-32056-3	HP	6	-	-	-	-	-
HENVS-32070-3	HP	6	-	-	-	-	-
MTR31437-00*	TP	6	6-3/4 in.	-	-	-	-
NAT342-009	TN	6	5-1/2 in.	Yes	WK6095	Aluminum	GKT009
NAT342-195	TP	6	6-3/4 in.	Yes	WK6095	Aluminum	GKT195
NAT352-195DB	TP	6	6-3/4 in.	Yes	-	-	-
PROWH-CA003	TN	6	5-1/2 in.	Yes	-	Steel	-
STE300-5097		6	5-1/2 in.		359-5995	-	STE330-3009
STE340-4370		6	5-1/2 in.		359-5995	-	STE330-3009
STE340-5096	TN	6	5-1/2 in.	Yes	-	Steel	STE330-3009
STE342-4009	TN	6	5-1/2 in.	Yes	359-6095	Aluminum	STE330-3009
STE342-4195	TP	6	6-3/4 in.	Yes	359-6095	-	STE330-3118
STE352-4009	TN	6	5-1/2 in.	Yes	-	Aluminum	STE330-3009
STE352-4195	TP	6	6-3/4 in.	Yes	-	-	STE330-3118
STE358-4009	TN	6	5-1/2 in.	Yes	359-6146	-	STE330-3009
STE358-4195	TP	6	6-3/4 in.	Yes	359-6146	-	STE330-3118
TIM87009	TN	6	5-1/2 in.	Yes	-	Steel	95009
TIM87085B		6	6-3/4 in.	Yes	-	Steel	-

*PSI Ready

Grease/Oil Application

Part Number	Spindle	Bolt Holes	Bolt Circle	Venting	Window	Cap Material	Gasket
PROWH-CA001	TN	6	5-1/2 in.	Yes	-	Aluminum	PROWH-GA001
PROWH-CA005	TN	6	5-1/2 in.	Yes	-	Aluminum	PROWH-GA001
PROWH-CA007	TN	6	5-1/2 in.	Yes	-	Aluminum	PROWH-GA001
STE300-4009	TN	6	5-1/2 in.	Yes	359-5995	Aluminum	STE330-3009
STE340-4009	TN	6	5-1/2 in.	Yes	359-5995	Aluminum	STE330-3009
STE343-4009	TN	6	5-1/2 in.	Yes	359-5995	Aluminum	STE330-3009
STE347-4195		6	6-3/4 in.				STE330-3118
TIM81909B	TN	6	5-1/2 in.	Yes	-	Aluminum	PROWH-GA001



Hubs & Drums

WHL

Hubcaps

Oil Application

Part Number	Spindle	Bolt Holes	Bolt Circle	Venting	Window	Cap Material	Gasket
CRS1282	TF	Threaded	6-3/4 in.	-	-	Lexan	454051
CRS1612		6	4-1/2 in.	Yes	-	Zytek	CRS453869
CRS1643	TF	6	5-1/2 - 5-9/16 in.	Yes	-	Zytek	CRS453795
CRS1643B	TF	6	5-1/2 - 5-9/16 in.	Yes	-	Zytek	CRS453795
CRS1696		6	6-3/4 in.	Yes	-		CRS450799
CRS1743	TN	6	5-1/2 in.	Yes	-	Steel	CRS450755
DUADG6PSI	TN	6	5-17/32 in.	Yes	-	Aluminum	CRS453795
HENVS-32055-1	HN	-	-	-	-	-	-
HENVS-32056-1	HP	-	-	-	-	-	-
HENVS-32070-1	HP	-	-	-	-	-	-
MTR31439-00	TP	6	6-3/4 in.	-	-	-	-
MTR32283-00	TN	6	5-17/32 in.	Yes	-	Aluminum	CRS453795
MTR32515-00	HP	6	6-3/4 in.	-	-	-	-
NAT340-195	TP	6	6-3/4 in.	Yes	WK5995	Aluminum	GKT195
NAT343-350	TN	6	5-1/2 in.	Yes	WK6130	Aluminum	GKT009
NAT343-352	TP	6	-	Yes	WK6130	Aluminum	GKT195
PROWH-CA004	TP	Threaded	-	Yes	-	Polycarbonate	-
PROWH-CA006	TP	Threaded	-	Yes	-	Polycarbonate	-
STE340-4013	TN	5	5-1/2 in.	Yes	STE359-5995	Aluminum	STE330-3013
STE340-4024		6	4-1/2 in.	Yes	STE359-5999	Aluminum	STE330-3024
STE340-4195	TP	6	6-3/4 in.	Yes	STE359-5995	Aluminum	STE330-3118
STE340-4975	TP	Threaded	6-1/4 in. x 8 UN	Yes	-	Polycarbonate	STE330-3077
STE343-4024	TP	6	4-1/2 in.	Yes	-	Aluminum	STE330-3024
STE343-4195	TP	6	6-3/4 in.	Yes	-	Aluminum	STE330-3118
STE343-4308		6	4-1/2 in.		STE330-3024	-	STE330-3024
STE343-4370*		6	5-1/2 in.		STE359-6145	-	-
STE348-4009	TN	6	5-1/2 in.	Yes	STE359-6112	Aluminum	STE330-3009
STE340-4372*	TN	6	6-3/4 in.	Yes	STE359-6141	Aluminum	STE330-3118
STE343-4372*	TN	6	5-1/2 in.	Yes	STE356-6140	Aluminum	-

*PSI Ready



CRS1282

SKF

Type: Threaded
Outer Diameter: 6-3/4 in.

Accessories

Gasket: 454051



**Tamper-Proof
CRS1343**

SKF

Holes: 6
Bolt Circle: 5-1/2 in. - 5-9/16 in.

Accessories

Gasket: 453795



Hubs & Drums

WHL

Hubs/Drums

940

800.621.7949

= Key Items

www.AuroraParts.com

Hubcaps

**Tamper-Proof
CRS1399**

SKF

Holes	Bolt Circle	Gasket
6	6-3/4 in.	450799

Accessories

CRS1612

SKF

Holes	Bolt Circle	Gasket
6	4-1/2 in.	453869

Accessories

**TF
CRS1643**

SKF

Holes	Bolt Circle	Gasket
6	5-1/2 in. - 5-9/16 in.	453795

Accessories

CRS1696

SKF

Holes	Bolt Circle	Gasket
6	6-3/4 in.	450799

Accessories

CRS1743

SKF

Holes	Bolt Circle	Gasket
6	5-1/2 in.	450755

Accessories

**HL
DUADG6G**

SKF

Holes	Bolt Circle
6	5-1/2 in.

**TP
DUADG7.5G**

SKF

Holes	Bolt Circle
6	7-1/2 in.

**Screw-On
DUADGPG**

Pro-Par

Type	Outer Diameter
Threaded	6-1/2 in.

Hubs & Drums



WHL

Wheel End

Hubcaps

**TN
DUADG6PSI**



Holes 6
Bolt Circle -

Accessories
Gasket
453795

**HN, Dual TIREMAAX[®] PRO
HENVS-32055-1**



Holes 6
Bolt Circle -

Hendrickson

**HP, Dual TIREMAAX[®] PRO
HENVS-32056-1**



Holes 6
Bolt Circle -

Hendrickson

**HP, Dual TIREMAAX[®] PRO
HENVS-32056-3**



Holes 6
Bolt Circle -

Hendrickson

**HP, Dual TIREMAAX[®] PRO
HENVS-32070-1**



Holes 6
Bolt Circle -

Hendrickson

**HP, Dual TIREMAAX[®] PRO
HENVS-32070-3**



Holes 6
Bolt Circle -

Hendrickson

**TP, PSI
MTR31437-00**



Holes 6
Bolt Circle 6-3/4 in.

Meritor

**TP, PSI
MTR31439-00**



Holes 6
Bolt Circle 6-3/4 in.

Meritor

HENDRICKSON

MERITOR

Hubs & Drums

WHL

Hubs/Drums

Hubcaps

PSI
MTR32283-00



Meritor

Holes	Bolt Circle
6	5-1/2 in.

MTR32515-00



Meritor

Holes	Bolt Circle
6	6-3/4 in.

TP
NAT340-195



Federal Mogul

Holes	Bolt Circle	Accessories
6	6-3/4 in.	Gasket GKT195

TN with Window
NAT342-009



Federal Mogul

Holes	Bolt Circle	Accessories
6	5-1/2 in.	Gasket GKT009

TP with Window
NAT342-195



Federal Mogul

Holes	Bolt Circle	Accessories
6	6-3/4 in.	Gasket 330-3118

TN
NAT343-350



Federal Mogul

Holes	Bolt Circle	Accessories
6	5-1/2 in.	Gasket GKT009

TP with Side Fill
NAT343-352



Federal Mogul

Holes	Bolt Circle	Accessories
6	6-3/4 in.	Gasket 330-3118

TP with Duckbill Vent
NAT352-195DB



Federal Mogul

Holes	Bolt Circle
6	6-3/4 in.



Hubs & Drums



Wheel End

Hubcaps

Standard TN
PROWH-CA001



Pro-Par

Holes 6 Bolt Circle 5-1/2 in.

Accessories
Gasket PROWH-GA001

PROWH-CA002



Pro-Par

Type Threaded Outer Diameter 6-1/2 in.

Steel
PROWH-CA003



Pro-Par

Holes 6 Bolt Circle 5-1/2 in.

Non-Vented
PROWH-CA004



Pro-Par

Type Threaded Outer Diameter -

Standard TN
PROWH-CA005



Pro-Par

Holes 6 Bolt Circle 5-1/2 in.

Accessories
Gasket PROWH-GA001

Vented
PROWH-CA006



Pro-Par

Type Threaded Outer Diameter -

Standard with Side Plug TN
PROWH-CA007



Pro-Par

Holes 6 Bolt Circle 5-1/2 in.

Accessories
Gasket PROWH-GA001

STE300-4009



Stemco

Holes 6 Bolt Circle 5-1/2 in.

Accessories
Gasket 330-3009



Hubs & Drums

WHL

Hubs/Drums

944

800.621.7949

= Key Items

www.AuroraParts.com

Hubcaps

STE300-5097



Stemco

Holes: 6 Bolt Circle: 5-1/2 in.

Accessories

Gasket
300-5097

TN
STE340-4009



Stemco

Holes: 6 Bolt Circle: 5-1/2 in.

Accessories

Gasket
330-3009
Window Kit
359-5995

5H TN
STE340-4013




Stemco

Holes: 5 Bolt Circle: 5-1/2 in.

Accessories

Gasket
330-3013
Window Kit
359-5995

TN
STE340-4024



Stemco

Holes: 6 Bolt Circle: 4-1/2 in.

Accessories

Gasket
330-3024
Window Kit
359-5999

More Information

Popular Stemco Hubcap Options

Stemco Base Part Number	Standard Hubcap, No Side Fill	Dirt Exclusion, Grease	Standard Hubcap, Side Fill	Standard Hubcap, Hubo Window	Sentinel® Hubcap	Sentinel® Hubcap, Grease	Solid Aluminum, Grease/ Vented	Integrated Sentinel® Oil	Integrated Sentinel® Grease	Bolt Circle	Bolt Size	Number of Bolts
	340	342	343	347	348	349	352	356	358			
4009	X	X	X	X	X	X	X	X	X	5-1/2 in.	5/16 in.	6
4013	X	X	X	X	X	X		X	X	5-1/2 in.	5/16 in.	5
4024	X	X	X					X	X	4-1/2 in.	5/16 in.	6
4046	X		X		X	X		X	X	5-1/2 in.	5/16 in.	6
4075	X	X	X	X	X	X		X	X	6-1/4 in. x 8 UN(M)		
4095	X	X	X		X	X	X	X	X	5-1/2 in. x 5/16 in.		
4195	X	X	X	X	X	X	X	X	X	6-3/4 in.	5/16 in.	6
4249	X	X	X							5-1/2 in.	5/16 in.	6
4281					X	X				5-17/32 in.	3/8 in.	6
4370*	X		X							5-1/2 in.	5/16 in.	6
4371*	X		X							6-1/4 in. x 8 UN(M)		
4372*	X		X							6-3/4 in.	5/16 in.	6

Legend


- 340 - No Pipe Plug
- 342 - Dirt Exclusion Grease
- 343 - With Pipe Plug
- 348 - Sentinel® Oil
- 349 - Sentinel® Grease
- 350 - With ESP Sentinel® Plug
- 353 - With ESP Sentinel® Plug
- 356 - Sentinel® Oil Integrated
- 358 - Sentinel® Grease Integrated
- 4009 - Tapered Spindle "TN"
- 4195 - Parallel Spindle "TP"

* PSI Ready

Wheel End

Hubcaps

TP
STE340-4195




Stemco

Holes	Bolt Circle
6	6-3/4 in.

Accessories

- Gasket 330-3118
- Window Kit 359-5995

PSI
STE340-4370



Stemco

Holes	Bolt Circle
6	5-1/2 in.

Accessories

- Gasket 330-3009

PSI without Magnet
STE340-4372



Stemco

Holes	Bolt Circle
6	6-3/4 in.

Accessories

- Gasket 330-3118

STE340-4975



Stemco

Type	Outer Diameter
Threaded	6-1/4 in. x 8 UN

Accessories

- Gasket 330-3077

TN
STE340-5096



Stemco

Holes	Bolt Circle
6	5-1/2 in.

Accessories

- Gasket 330-3009

Dirt Exclusion TN
STE342-4009



Stemco

Holes	Bolt Circle
6	5-1/2 in.

Accessories

- Gasket 330-3009
- Window Kit 359-6095

Dirt Exclusion TP
STE342-4195



Stemco

Holes	Bolt Circle
6	6-3/4 in.

Accessories

- Gasket 330-3118
- Window Kit 359-6095

TN
STE343-4009



Stemco

Holes	Bolt Circle
6	5-1/2 in.

Accessories

- Gasket 330-3009



Hubs & Drums

WHL

Hubs/Drums

946

800.621.7949

= Key Items

www.AuroraParts.com



Designed for performance. Made with pride.
Built by STEMCO.

STEMCO CentriFuse® Brake Drum Manufacturing, Chattanooga, TN.



Wheel Kits



Lunar™ & Lunar™ HP
Air Disc Brake Pads



Aeris® Automatic Tire
Inflation Systems



Crewson™ Automatic
Brake Adjusters



Trifecta™ Pre-Adjusted
Hub Assembly



King Pin Kits



CentriFuse® Brake Drums



Air Springs



Zip-Torq®
Axle Fasteners



Wheel Seals



Heavy Duty
Bearings



Hub Caps




Hubodometers

Wheel End

Hubcaps

TP with Plug
STE343-4024




Stemco

Holes	Bolt Circle
6	4-1/2 in.

Accessories
Gasket
330-3024

TP with Plug
STE343-4195




Stemco

Holes	Bolt Circle
6	6-3/4 in.

Accessories
Gasket
330-3118

with Pipe Plug
STE343-4308



Stemco

Holes	Bolt Circle
6	4-1/2 in.

Accessories
Gasket
330-3024

PSI with Plug
STE343-4370



Stemco

Holes	Bolt Circle
6	5-1/2 in.

PSI with Pipe Plug TP
STE343-4372



Stemco

Holes	Bolt Circle
6	6-1/2 in.

STE347-4195




Stemco

Holes	Bolt Circle
6	6-3/4 in.

Accessories
Gasket
330-3118

TN Sentinel®
STE348-4009



Stemco

Holes	Bolt Circle
6	5-1/2 in.

Accessories
Gasket
330-3009

TN Solid Cap
STE352-4009



Stemco

Holes	Bolt Circle
6	5-1/2 in.

Accessories
Gasket
330-3009



Hubs & Drums

WHL

Hubs/Drums

948


800.621.7949

= Key Items

www.AuroraParts.com

Hubcaps

TP Solid Cap
STE352-4195



Stemco

Holes	Bolt Circle
6	6-3/4 in.

Accessories

Gasket
330-3118

Integrated TN
STE358-4009




Stemco

Holes	Bolt Circle
6	5-1/2 in.

Accessories

Gasket
330-3009

TP Sentinel®
STE358-4195




Stemco

Holes	Bolt Circle
6	6-3/4 in.

Accessories

Gasket
330-3118

TN Steel
TIM87009



Timken

Holes	Bolt Circle
6	5-1/2 in.

Accessories

Gasket
95009

TN
TIM81909B




Timken

Holes	Bolt Circle
6	5-1/2 in.

Accessories

Gasket
PROWH-GA001

Steel
TIM87085B



Timken

Holes	Bolt Circle
6	-

Accessories

Part Number	Height
STE610-0090	1-7/8 in.



Mounts on top of window ring with 4 replacement screws.

Stemco

Accessories

Gaskets

Part Number	Inner Diameter	Outer Diameter	Bolt Circle	Bolt Number
APT3009	4-5/16 in.	6-13/16 in.	5-1/2 in.	6
APT3067	4-5/16 in.	6-13/16 in.	5-1/2 in.	5 & 6
CRS453795	4-1/2 in.	6-1/8 in.	5-1/2 in. - 5-9/16 in.	6
HENS-32097				6
MTR2208U1113	6-3/4 in.	7-5/8 in.	6-3/4 in.	6
MTR2208-P-1160				8
PROWH-GA002	4-7/16 in.	6-3/8 in.	5-1/2 in.	12
PROWH-GA001	4-5/16 in.	6-13/16 in.	5-1/2 in.	6
STE330-3009	4-5/16 in.	6-13/16 in.	5-1/2 in.	6
STE330-3024	3-3/4 in.	5-1/8 in.	4-1/2 in.	6
STE330-3067	4-1/2 in.	6-1/4 in.	5-1/2 in.	5 & 6
STE330-3106	6 in.	8-1/4 in.	7 in.	8
STE330-3107	5-5/8 in.	8-1/2 in.	7 in.	8
STE330-3118	6-3/4 in.	7-5/8 in.	6-3/4 in.	6
STE330-3133				
PROWH-GA003	6 in.	7-35/64 in.	6-3/4 in.	6

Window Kits

Part Number	Type	Window Diameter	Window	Window Ring Gasket	Vent Plug
PROWH-WK001	Standard	3-1/2 in.	Included	Included	Included
PROWH-WK002	Hubometer				



(PROWH-WK001)

Pro-Par

Part Number	Type	Window Diameter	Window	Gasket	Window Ring Gasket	Vent Plug
STE359-5995	Standard	3-1/2 in.	359-5994	359-5991	359-3127	359-5990
STE359-5999	Standard	2-3/4 in.	359-5983	359-5996	359-3136	359-5990
STE359-6117	Standard	3-1/2 in.	359-5981	359-5991	359-3127	-
STE359-6141	PSI					



(STE359-5995/
STE359-5999)



(STE359-6117)



(STE359-6141)

Stemco




Hubs & Drums

WHL

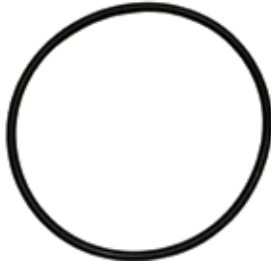
Accessories

O-Rings

Pro-Par	Qty	PROWH-OR001
	50	
	1	PROWH-OR002



STEMCO STE330-3077



Size: 6-1/4 in.

Plugs

SKF CRS450434



Color: Green

STEMCO DUA137



Color: Blue


Pro-Par **Vented**
PROWH-PL001



Color: Black

Pro-Par **Extra Long Stem**

Type	PROWH-PL003
Vented	
Non-Vented	PROWH-PL002




(PROWH-PL003) (PROWH-PL002)

Color: Black
Material: Duro Rubber

STEMCO **Hubcap Plug**

Type	STE359-5915
Non-Vented	
Vented	STE359-5990



(STE359-5915) (STE359-5990)

Color: Red



Wheel End

Cross Reference

Trailer Axle

Oil Seals Guide

Step 1. Select Your Application:		19,000# Trailer Axle Standard Forge, Dana, Meritor, Eaton	20,000# Trailer Axle, Meritor, Shuler	22,050# Trailer Axle, Meritor, Standard Forge, Dana, Eaton	Pro-Par Trailer Axle, Fruehauf, Eaton P-22, Meritor TP, Dana
Step 2. Select Your Bearings:	Inner	653/663	653/665A	HM218210/HM218248	HM518410/HM518445
	Outer	553/560 HM212011/HM212049	HM212011/HM212049	HM212011/HM212049	HM518410/HM518445
Step 3. Select Seal:					
Manufacturer	Type				
Stemco	Discover	STE373-0213		STE373-0243	STE373-0223
	Grit Guard	STE372-7098	STE372-7095	STE372-7097	STE372-7099
	Guardian	STE307-0713	STE307-0744	STE307-0743	STE307-0723
	Voyager	STE373-0113	STE373-0144	STE373-0143	STE373-0123
National	Gold	NAT380036A	NAT380037A	NAT380025A	NAT380065A
	Red	NAT370036A	NAT370037A	NAT370025A	NAT370065A
Scotseal	Classic	CRS40136	CRS43752	CRS46305	CRS42623
	Plus XL	CRS40129	CRS47754	CRS46300	CRS42627
Pro-Par				PROWS0025A	PROW0065A
TriSeal/Timken		TIM12S40000	TIM12S43750	TIM12S46251	TIM12S42500
Meritor		MTRMER0113		MTRMER0143	MTRMER0123
Dana Outrunner		EAT850	EAT853	EAT859	EAT851
Boss		B40136	B370037	B370025	B42623
			B43752		B370065

Front Axle

Step 1. Select Your Application:		Navistar Front Axle, FA 309, FA 329	12,000# Front Axle, Navistar	16,000# Front Axle, Ford, Navistar, Mack, Meritor, White, Ken- worth, Western Star, Peterbilt, Volvo GM	12,000# Front Axle, Meritor, Eaton, Ford, Freightliner, Kenworth, Western Star, Navitar, Peterbilt, Volvo GM
Step 2. Select Your Bearings:	Inner	632/641	632/641	6420/6461A	39520/39581 553X/557A HM212011/HM212044 HM212011/HM212049 HM212011/HM212049X HM212011/HM212047
	Outer	3920/3979	28622/28682	552A/555S	3720/3782 3525/3585
Step 3. Select Seal:					
Manufacturer	Type				
Stemco	Discover			STE383-0264	STE383-0236
	Grit Guard			STE382-8064	STE382-8036
	Guardian	STE308-0853	STE308-0856	STE308-0864	STE308-0836
	Voyager	STE383-0153	STE383-0156	STE383-0164	STE383-0136
National	Gold		NAT380131A	NAT380048A	NAT380001A
	Red	NAT370124A	NAT370131A	NAT370048A	NAT370001A
Scotseal	Classic	CRS44922	CRS45103	CRS43764	CRS35066
	Plus XL	CRS44916	CRS45095	CRS43761	CRS35058
Pro-Par					PROWS0001A
TriSeal/Timken		TIM10S45000	TIM10S45001	TIM10S43750	TIM10S35000
Meritor					MTRMER0236 MTRMER0136
Dana Outrunner		EAT855	EAT857	EAT863	EAT847
Boss			B45103	370048	B35066
				B43764	

Hubs & Drums

WHL

Hubs/Drums

952

800.621.7949

= Key Items

www.AuroraParts.com

Cross Reference

Drive Axle

Oil Seals Guide

Step 1. Select Application:		34,000# Drive Axle, Mack	38,000# Drive Axle Mack, GMC, Eaton, Meritor	38,000# 46,000# Tadem Axles, Eaton, Ford, Freightliner, Kenworth, Western Star, Peterbilt, Meritor, Navistar, Volvo GM	38,000# Drive Axle, Eaton, Meritor, White	
Step 2. Select Bearings:	Inner	572/580	592A/594A	592A/594	672/681A	
		572/582		592A/594A		592A/598
	Outer	563/567	572/580	592A/598A		572/575
			572/582	572/575		
Step 3. Select Seal:						
Manufacturer	Type					
Stemco	Discover	STE393-0203		STE393-0273		
	Grit Guard	STE392-9094	STE392-9132	STE392-9131	STE392-9087	
	Guardian	STE309-0903	STE309-0960	STE309-0973	STE309-0970	
	Voyager	STE393-0103		STE393-0173		
National	Gold	NAT38022A		NAT380003A		
	Red	NAT370022A	NAT370005A	NAT370003A	NAT370006A	
Scotseal	Classic	CRS45099	CRS48000	CRS47697	CRS47699	
	Plus XL	CRS45093	CRS48002	CRS47692		
Pro-Par				PROWS0003A		
TriSeal/Timken		TIM11Y45001	TIM11S47671	TIM11S47670	TIM11S47672	
Meritor		MTRMER0103		MTRMER0173		
Dana Outrunner		EAT856	EAT860	EAT861		
Boss		B45099	B370005	B47697	37006A	
					B47699	

Drive Axle (cont.)

Step 1. Select Application:		17,000# Single and 34,000# Tandem, GMC	34,000# Drive Axle, Eaton, Ford, Navistar, White	33,000# Drive Axle, Mack
Step 2. Select Bearings:	Inner	47620/47686	5735/5760	652/663
			47620/47685	HM516410/HM516449
	47620/47686		HM516410/HM516449A	
	47620/47678			
Outer	39520/39590	572/575	572/575	
		39520/39590	47620/47679	
		39520/39585		
Step 3. Select Seal:				
Manufacturer	Type			
Stemco	Discover	STE393-0212	STE393-0212	STE393-0204
	Grit Guard	STE392-9045	STE392-9099	STE392-9090
	Guardian	STE309-0915	STE309-0912	STE309-0904
	Voyager	STE393-0112	STE393-0112	STE393-0104
National	Gold		NAT380023A	NAT380031A
	Red	NAT370024A	NAT370023A	NAT370031A
Scotseal	Classic	CRS38750	CRS38780	CRS42672
	Plus XL	CRS38746	CRS38776	CRS42973
Pro-Par				
TriSeal/Timken		TIM11S38750	TIM11S38751	TIM11S42500
Meritor			MTRMER0112	MTRMER0104
Dana Outrunner		EAT848	EAT849	EAT852
Boss		B38750	B38780	B370031
			B370023	

Hubs & Drums

WHL

Seals

National Seal

Part Number	Type	Spindle	Bearing
NAT386590A	Gold	Parallel	
NAT380001A	Gold	Steer Axle	HM212049/218248
NAT380003A	Gold	Drive Axle	598A/580
NAT380023A	Gold	Drive Axle	47685/39590
NAT380025A	Gold	Tapered	HM212049/21824
NAT380036A	Gold	Tapered	663/HM212049
NAT380048A	Gold	Steer Axle	6461A/3920
NAT380065A	Gold	Parallel	HM518445
NAT370001A	Red	Steer Axle	HM212049/218248
NAT370003A	Red	Drive Axle	598A/580
NAT370014A	Red		
NAT370023A	Red	Drive Axle	47685/39590
NAT370025A	Red	Tapered	HM212049/218248
NAT370031A	Red	Drive Axle	663/575
NAT370036A	Red	Tapered	663/HM212049
NAT370048A	Red	Steer Axle	6461A/39
NAT370065A	Red	Parallel	HM518445
NAT376590A	Red	Parallel	



Gold

Seals utilize chemical resistant, durable polytetrafluoroethylene on the main sealing lip with sufficient contact area to accommodate wheel end movement.



Red

Elastomeric seal provides a traditional material alternative.

Federal Mogul

Pro-Par

Part Number	Type	Spindle	Bearing	Tool
PROWS0001A	Unitized	Steer Axle	HM212049/HM218248	PROWSRD307/PROWSRD406
PROWS0003A	Unitized	Drive Axle	598A/580	PROWSRD305/PROWSRD416
PROWS0025A	Unitized	Tapered	HM212049/HM218248	PROWSRD306/PROWSRD413
PROWS0065A	Unitized	Parallel	HM518445	PROWSRD310/PROWSRD412
PROWS35058	Hand	Steer Axle	HM212049/HM218248	Hand Installed
PROWS42627	Hand	Parallel	HM518445	Hand Installed
PROWS46300	Hand	Tapered	HM212049/218248	Hand Installed
PROWS47691	Hand	Drive Axle	598A/580	Hand Installed



Unitized

Unitized - single piece installation, contaminant exclusives is good, nitrile rubber, no spring pops, spindle gasket and bore sealant



Hand Installed

Hand installed - unitized, one-piece installable design seal, good sealing life, high quality NBR material, clean running surfaces, installs quickly

Pro-Par

Seals

Scotseal®

Part Number	Type	Spindle	Bearing
CRS35066	Classic	Steer Axle	212049/218248
CRS38780	Classic	Drive Axle	47685/39590
CRS40136	Classic	Tapered	663/HM212049
CRS42623	Classic	Parallel	HM518445
CRS43764	Classic	Steer Axle	6461A/3920
CRS46305	Classic	Tapered	HM212049/HM218248
CRS47697	Classic	Drive Axle	598A/580
CRS35058	PlusXL	Steer Axle	212049/218248
CRS40129	PlusXL	Tapered	663/HM212049
CRS42627	PlusXL	Parallel	HM518445
CRS46300	PlusXL	Tapered	HM212049/218248
CRS47691	PlusXL	Drive Axle	598A/580



Classic

Designed to handle a range of road and driving conditions. Three-lip sealing element contains a pre-lube, spring-loaded primary sealing lip, a dirt exclusion lip, and an outer bumper lip.



PlusXL

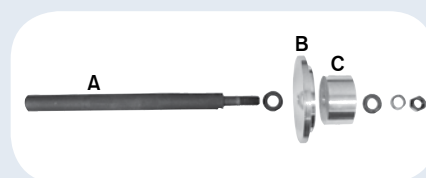
Features an advanced new hydrogenated nitrile butadiene rubber material that resists wheel end temperatures up to 300° F and offers broad compatibility with synthetic lubricants.

SKF

Tech Tip

Pro-Par Seal Installation Tool

Seal	Handle (A)	Seal Plate (B)	Bearing Pilot (C)
PROWS0001A	PROWSRD296	PROWSRD307	PROWSRD406
PROWS0003A	PROWSRD296	PROWSRD305	PROWSRD416
PROWS0025A	PROWSRD296	PROWSRD306	PROWSRD413
PROWS0065A	PROWSRD296	PROWSRD310	PROWSRD412



Hubs & Drums



WHL

Seals

Stemco

Part Number	Type	Spindle	Bearing
STE373-0223	Discover	Parallel	HM518445
STE373-0243	Discover	Tapered	HM212049/HM218248
STE372-7097	Grit Guard	Tapered	HM212049/HM218248
STE372-7098	Grit Guard	Tapered	663/HM212049
STE372-7099	Grit Guard	Parallel	HM518445
STE392-9131	Grit Guard	Drive Axle	598A/580
STE307-0723	Guardian HP	Parallel	HM518445
STE307-0743	Guardian HP	Tapered	HM212049/218248
STE373-0113	Voyager	Tapered	663/HM212049
STE373-0123	Voyager	Parallel	HM518445
STE373-0143	Voyager	Tapered	HM212049/HM218248
STE383-0136	Voyager	Front Axle	
STE393-0173	Voyager	Drive Axle	598A/580



Grit Guard

Seal features a two-piece design with a spindle installed deflector ring. Provides dirt exclusion for extended seal performance & insures a new surface for the sealing lip.



Discover

Seal features a high temperature elastomeric co-polymer sealing element combined with Teflon. Sealing element is protected by a four-zone labyrinth to provide unmatched contaminant exclusion & performance.



Voyager

Seal features a bonded rubber outer diameter & piloted entry ensuring an easy & square installation. The ribbed rubber outer diameter also forms a superior seal between the seal case and the hub bore.



Guardian HP

Advanced seal that has been developed for extra protection & greater sealing with a high performance sealing lip, superior contamination exclusion & self-lubricating thrust pad.

Stemco

Triseal/Timken

Part Number	Type	Spindle	Bearing
TIM12S46251	Unitized	Tapered	HM218248/HM212049
TIM11S47670	Unitized	Drive Axle	598A/580
TIM12S42500	Unitized	Parallel	HM518445
TIM12S42500B	Unitized	Parallel	HM518445
TIM12Y42501	Leather	Parallel	HM518445
TIM12Y46250	Leather	Tapered	HM212049/HM218248



Seal features three nitrile lip contact barrier points. With an oversized double-walled, reinforced metal outer diameter. Corrosion proof spacers feature multiple vent holes for enhanced lubrication.

Triseal/Timken

Aluminum Wheels

Part Number	Size	Mounting Holes	Piloted	Polished
ACC41644SP	22-1/2 in. x 8-1/4 in.	10	Hub	Standard
ACC41644XP	22-1/2 in. x 8-1/4 in.	10	Hub	Extra



Accuride

Part Number	Size	Mounting Holes	Piloted	Polished Style
PROWH225825ALM	22-1/2 in. x 8-1/4 in.	10	Hub	Machine Finish
PROWH225825ALP	22-1/2 in. x 8-1/4 in.	10	Hub	2 Side Polish



Pro-Par

Poly Separator Plate

Part Number	Stud Diameter	Bolt Circle	Piloted
ACC5901	7/8 in. & 1/8 in.	11-1/4 in.	Stud
ACC5902	3/4 in.	11-1/4 in.	Stud
ACC5903	22 mm	285.75 mm	Hub
ACC790-2	22 mm	275 mm	Hub



(ACC5901)



(ACC5902)



(ACC5903)



(ACC790-2)

Accuride



Wheels

WHL

Wheel End

Steel Wheels

Part Number	Size	Mounting Holes	Piloted	Color	Hand Holes
ACC51408PKWHT21	22-1/2 in. x 8-1/4 in.	10	Hub	White	2
ACC50308PW	22-1/2 in. x 8-1/4 in.	10	Hub	White	2



Accuride

Part Number	Size	Mounting Holes	Piloted	Color	Hand Holes
PROWH1756758HP4W	17-1/2 in. x 6-3/4 in.	8	Hub	White	4
PROWH22582510HP2W	22-1/2 in. x 8-1/4 in.	10	Hub	White	2
PROWH22582510HP5W	22-1/2 in. x 8-1/4 in.	10	Hub	White	5
PROWH22582510SP2W	22-1/2 in. x 8-1/4 in.	10	Stud	White	2
PROWH24582510HP2W	24-1/2 in. x 8-1/4 in.	10	Hub	White	2
PROWH24582510SP2W	24-1/2 in. x 8-1/4 in.	10	Stud	White	2



Pro-Par

Steel Rims

PROWH225825TLDMRW



Size: 22-1/2 in. x 8-1/4 in.
Color: White

Pro-Par

ACCURIDE

pro-par
DON'T MEET DATA, PUSH IT.

Wheels

WHL

Steel Spacer Bands

Corrugated

Color	Size	
White	20.00 in. x 4.00 in.	ACC4020CSB

Accuride



Material: Steel

Smooth

Part Number	Size	Color	Material
LSASB3315K	15 in. x 3-3/8 in.	White	Steel
LSASB4015K	15 in. x 4 in.	White	Steel
LSASB3320K	20 in. x 3-3/8 in.	White	Steel
LSASB3520K	20 in. x 3-5/8 in.	White	Steel
LSASB4020K	20 in. x 4 in.	White	Steel
LSASB4220K	20 in. x 4-1/4 in.	White	Steel
LSASB4420K	20 in. x 4-1/2 in.	White	Steel
LSASB3522K	22 in. x 3-5/8 in.	White	Steel
LSASB4022K	22 in. x 4 in.	White	Steel
LSASB4222K	22 in. x 4-1/4 in.	White	Steel
LSASB4422K	22 in. x 4-1/2 in.	White	Steel



More Information

Pro-Par Website

Need additional information on Pro-Par products?
Visit the Pro-Par website at www.Pro-Par.com.



WHEELS
ACCURIDE

WHL

Wheel Attaching Parts

Flanged Nut

Part Number	Thread	Hex	Height	Type
PROWF920	M22 x 1.5	32.75 mm	26 mm	Teflon Coated
DAY08-205578	M22 x 1.5	33 mm	32 mm	Teflon Coated
PROWF333B	M22 x 1.5	33 mm	32 mm	Teflon Coated
NUTNW221527	M22 x 1.5	37 mm	27 mm	Unimount
PROWF881M	M22 x 1.5	38 mm	35 mm	Teflon Coated
MOT88881-10	M22 x 1.5	38 mm	35 mm	Hub Piloted (NOTE: MOT88881 = pack of 60 nuts)



(PROWF920)



(DAY08-205578)



(PROWF333B)



(NUTNW221527)



(PROWF881M)



(MOT88881-10)

Inner Cap Nuts

Part Number	Inner Thread	Outer Thread	Length	Location	Material	Type	Additional
PROWF708AR	3/4 in. - 16	1-1/8 in. - 16	2-7/32 in.	Right Hand	Yellow Zinc	Budd	Grade 8
PROWF709AL	3/4 in. - 16	1-1/8 in. - 16	2-7/32 in.	Left Hand	Yellow Zinc	Budd	Grade 8
PROWF896R	3/4 in. - 16	1-1/8 in. - 16	2-9/16 in.	Right Hand	Yellow Zinc	Budd	Grade 8
PROWF896L	3/4 in. - 16	1-1/8 in. - 16	2-9/16 in.	Left Hand	Yellow Zinc	Budd	Grade 8
PROWF897R	3/4 in. - 16	1-1/8 in. - 16	3-1/16 in.	Right Hand	Yellow Zinc	Budd	Grade 8
PROWF897L	3/4 in. - 16	1-1/8 in. - 16	3-1/16 in.	Left Hand	Yellow Zinc	Budd	Grade 8
PROWF978R	3/4 in. - 16	1-1/8 in. - 16	3-1/16 in.	Right Hand	Clear Zinc	Alcoa	Grade 8
PROWF978L	3/4 in. - 16	1-1/8 in. - 16	3-1/16 in.	Left Hand	Clear Zinc	Alcoa	Grade 8
PROWF988R	3/4 in. - 16	1-1/8 in. - 16	3-1/16 in.	Right Hand	Yellow Zinc	Alcoa	Grade 8
PROWF988L	3/4 in. - 16	1-1/8 in. - 16	3-1/16 in.	Left Hand	Yellow Zinc	Alcoa	Grade 8



(PROWF708AR/
PROWF708AL)



(PROWF896R/
PROWF896L)



(PROWF897R/
PROWF897L)



(PROWF978R/
PROWF978L)



(PROWF988R/
PROWF988L)



Wheel End Components

WHL

Wheel Attaching Parts

Outer Cap Nuts

Part Number	Thread	Hex	Height	Location	Material	Type	Additional
PROWF891AR	1-1/8 in. - 16	1-1/2 in.	7/8 in.	Right Hand	Yellow Zinc	Budd	-
PROWF891BR	1-1/8 in. - 16	1-1/2 in.	7/8 in.	Right Hand	Yellow Zinc	Budd	Thru-Hardened
PROWF892AL	1-1/8 in. - 16	1-1/2 in.	7/8 in.	Left Hand	Yellow Zinc	Budd	-
PROWF912R	1-1/8 in. - 16	1-1/2 in.	1-3/32 in.	Right Hand	Yellow Zinc	Budd	Heavy Duty
PROWF913L	1-1/8 in. - 16	1-1/2 in.	1-3/32 in.	Left Hand	Yellow Zinc	Budd	Heavy Duty



(PROWF912R/
PROWF913L)



(PROWF891AR/
PROWF891BR/
PROWF892AL)

Hug-A-Lug® Hex Flange Nut

Height	Hex	
27-31 mm	33 mm	ALCH-1813



Finish: Chrome

Spoke Wheel Nut

Height	Hex	Thread	
23/32 in.	1-1/4 in.	3/4 in. - 10	PROWF716



Spoke Wheel Nut

Height	Hex	Thread	
3/4 in.	1-1/4 in.	3/4 in. - 10	MTRR004963



Type: Anodized

Rim Clamps

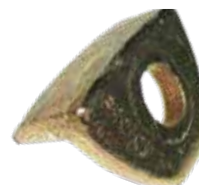
	Height	Width	Depth	Stud
PROWF123	2-1/2 in.	2-7/8 in.	1-1/8 in.	3/4 in.
PROWF235	2-1/2 in.	2-7/8 in.	1-3/4 in.	3/4 in.
PROWF993	2-1/2 in.	2-7/8 in.	1-1/2 in.	3/4 in.



(PROWF993)



(PROWF235)

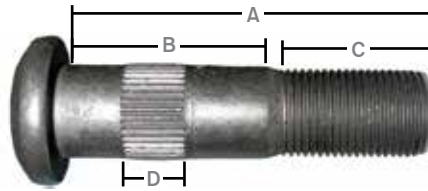


(PROWF123)

Wheel Attaching Parts

Wheel Studs

Part Number	Thread Size	Overall Diameter	A	B	C	D	Location	Type
PROWF449	3/4 in. - 16	29/32 in.	2-19/32 in.	1-9/32 in.	1-5/16 in.	31/32 in.	Right Hand	Budd
PROWF450	3/4 in. - 16	29/32 in.	2-19/32 in.	1-9/32 in.	1-5/16 in.	31/32 in.	Left Hand	Budd
MTRR004968L	3/4 in. - 16	25/32 in.	2-7/8 in.	1-1/2 in.	1-1/4 in.	1/2 in.	Left Hand	Budd
MTRR004968R	3/4 in. - 16	25/32 in.	2-7/8 in.	1-1/2 in.	1-1/4 in.	1/2 in.	Right Hand	Budd
PROWF851	3/4 in. - 16	25/32 in.	2-7/8 in.	1-1/2 in.	1-1/4 in.	1/2 in.	Right Hand	Budd
PROWF852	3/4 in. - 16	25/32 in.	2-7/8 in.	1-1/2 in.	1-1/4 in.	1/2 in.	Left Hand	Budd
PROWF947	3/4 in. - 16	25/32 in.	2-31/32 in.	1-13/32 in.	1-1/16 in.	1/2 in.	Left Hand	Budd
PROWF948	3/4 in. - 16	25/32 in.	2-31/32 in.	1-13/32 in.	1-1/16 in.	1/2 in.	Right Hand	Budd
MTRR004969L	3/4 in. - 16	25/32 in.	3-1/8 in.	1-3/4 in.	1-1/4 in.	1/2 in.	Left Hand	Budd
MTRR004969R	3/4 in. - 16	25/32 in.	3-1/8 in.	1-3/4 in.	1-1/4 in.	1/2 in.	Right Hand	Budd
PROWF133	3/4 in. - 16	25/32 in.	3-11/32 in.	1-9/32 in.	1-27/32 in.	1/2 in.	Right Hand	Gunite
PROWF134	3/4 in. - 16	25/32 in.	3-11/32 in.	1-9/32 in.	1-27/32 in.	1/2 in.	Left Hand	Gunite
DAY09-001910	3/4 in. - 16	57/64 in.	2-5/8 in.	1-1/64 in.	1-3/8 in.	1/2 in.	Right Hand	-
DAY09-001911	3/4 in. - 16	57/64 in.	2-5/8 in.	1-1/64 in.	1-3/8 in.	1/2 in.	Left Hand	-
PROWF430	3/4 in. - 16	31/32 in.	2-27/32 in.	13/16 in.	1-1/8 in.	1/2 in.	Right Hand	Webb
PROWF431	3/4 in. - 16	31/32 in.	2-27/32 in.	13/16 in.	1-1/8 in.	1/2 in.	Left Hand	Webb
WEB101172	3/4 in. - 16	31/32 in.	2-27/32 in.	13/16 in.	1-1/8 in.	1/2 in.	Right Hand	Webb
WEB101173	3/4 in. - 16	31/32 in.	2-27/32 in.	13/16 in.	1-1/8 in.	1/2 in.	Left Hand	Webb



Cross Reference

Wheel Studs

Wheel Studs

Pro-Par	Meritor	Webb
PROWF133	MTRR008979R	-
PROWF134	MTRR008979L	-
PROWF183	MTRR004969R	-
PROWF184	MTRR004969L	-
PROWF263	MTRR004966R	-
PROWF264	MTRR004966L	-
PROWF287L	MTRR005896L	-
PROWF287R	MTRR005896R	-
PROWF430	MTRR009010R	WEB101172

Pro-Par	Meritor	Webb
PROWF431	MTRR009010L	WEB101173
PROWF481	MTRR005871L	-
PROWF482	MTRR005871R	-
PROWF851	MTRR004968R	WEB198510
PROWF852	MTRR004968L	WEB198521
PROWF947	MTRR008947L	-
PROWF948	MTRR008947R	-
PROWF968	MTRR004967R	-
PROWF969	MTRR004967L	-

Metric Wheel Studs

Pro-Par	Meritor	Webb
PROWF160	MTRR006034	WEB101160
PROWF162	MTRR006035	WEB101162
PROWF335	MTRR005997	-
PROWF336	MTRR005999	-

Pro-Par	Meritor	Webb
PROWF423	MTRR008981	-
PROWF437	MTRR0010221	-
PROWF676	MTRR0010676	-
PROWF883	MRTT005992A	-



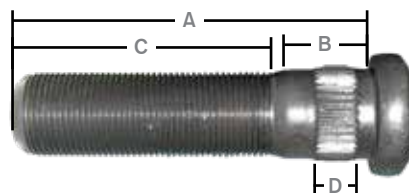
Wheel End Components

WHL

Wheel Attaching Parts

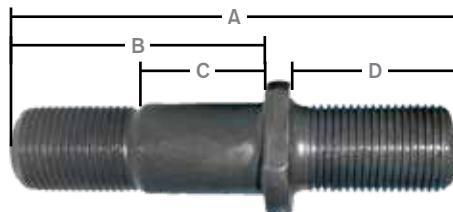
Metric Wheel Studs

Part Number	Thread Size	Overall Diameter	A	B	C	D	Type
PROWF335	M22 x 1.5	57/64 in.	3-21/32 in.	29/32 in.	2-29/64 in.	13/32 in.	Budd
MTRR0010257	M22 x 1.5	57/64 in.	4-11/64 in.	3/8 in.	3-17/64 in.	-	Walther
PROWF336	M22 x 1.5	57/64 in.	4-41/64 in.	29/32 in.	3-47/64 in.	13/32 in.	Budd
CMT10001331	M22 x 1.5	-	5-5/32 in.	1-3/8 in.	-	-	-
PROWF437	M22 x 1.5	57/64 in.	5-11/32 in.	1-9/16 in.	3-7/16 in.	1/2 in.	Conmet
MTRR006035	M22 x 1.5	31/32 in.	3-15/16 in.	23/32 in.	2-11/16 in.	3/8 in.	Webb
PROWF162	M22 x 1.5	31/32 in.	3-15/16 in.	23/32 in.	2-11/16 in.	3/8 in.	Webb
WEB101162	M22 x 1.5	31/32 in.	3-15/16 in.	23/32 in.	2-11/16 in.	3/8 in.	Webb
PROWF423	M22 x 1.5	31/32 in.	4 in.	7/8 in.	2-29/32 in.	1/2 in.	Gunite
PROWF676	M22 x 1.5	31/32 in.	4-1/4 in.	7/16 in.	3-1/4 in.	1/2 in.	Gunite
PROWF160	M22 x 1.5	31/32 in.	4-25/32 in.	23/23 in.	3-17/32 in.	3/8 in.	Webb
WEB101160	M22 x 1.5	31/32 in.	4-25/32 in.	23/32 in.	3-17/32 in.	3/8 in.	Webb
MOT500006	M22 x 1.5	-	3-27/64 in.	1/2 in.	2-37/64 in.	-	MotorWheel
DAY09-001989	M22 x 1.5	57/64 in.	3-23/32 in.	-	2-9/16 in.	-	Meritor
DAY09-002003	M22 x 1.5	57/64 in.	4-25/32 in.	-	3-27/32 in.	-	Meritor
WEN02-00014	-	22 mm.	-	-	-	-	-
WEN02-00118	-	-	-	-	-	-	-
WEN02-000-10	-	-	-	-	-	-	-



Shoulder Wheel Studs

Part Number	Thread Size	Overall Diameter	A	B	C	D	Location	Type
PROWF990	3/4 in. - 16	25/32 in.	3-31/32 in.	2-7/16 in.	1-5/32 in.	1-11/32 in.	Right Hand	Budd
PROWF991	3/4 in. - 16	25/32 in.	3-31/32 in.	2-7/16 in.	1-5/32 in.	1-11/32 in.	Left Hand	Budd
PROWF004	3/4 in. - 16	25/32 in.	4-1/32 in.	2-1/2 in.	1-9/32 in.	1-11/32 in.	Right Hand	Budd
PROWF005	3/4 in. - 16	25/32 in.	4-1/32 in.	2-1/2 in.	1-9/32 in.	1-11/32 in.	Left Hand	Budd
MTRR005560R	3/4 in. - 16	25/32 in.	4-1/16 in.	2-1/2 in.	25/64 in.	1-3/8 in.	Right Hand	



Wheel End Components

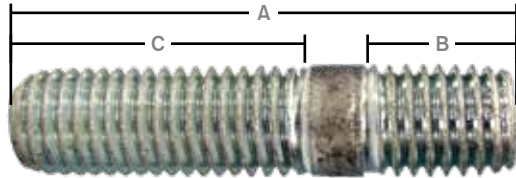
WHL

Wheel End

Wheel Attaching Parts

Spoke Wheel Studs

Part Number	Thread Size	A	B	C	Type
MTRR004956A	3/4 in. - 10	3 in.	1-1/16 in.	1-3/4 in.	Grade 8
PROWF715	3/4 in. - 10	3 in.	1-1/16 in.	1-3/4 in.	Grade 8



Drum Mounting Kit FRUACD2813-900



Item	Count	Diameter	Thread	Length
Bolts	5	3/4 in.	16	2.00 in.
Nuts	5	3/4 in.	16	
Flat Washers	10	3/4 in.		

Drum Bolt Assembly PROWF807



Item	Count	Diameter	Thread	Length
Bolts	5	5/8 in.	18	2.00 in.
Nuts	5			
Flat Washers	5			

Drum Bolt Kit PROWF809



Item	Count	Diameter	Thread	Length
Bolts		3/4 in.	16	2.00 in.
Nuts				
Flat Washers				

Valve Stems & Components

Valve Stem Core HALA-100-VC-1



Heltec

Valve Stem Cap HALA-100-VC-3



Heltec



Wheel End Components

WHL

Valve Stems & Components

HALTV509



Haltec

Length: 4-3/4 in. Angle: 90°
For Aluminum wheels; complete with all fittings, valve cap and valve core

Double Seal Valve Stem Cap HALDS-1



Haltec

Material: Metal
Inflation without removing cap

HALTV545D



Haltec

For Aluminum wheels

Grommet Seal Valve HALTV-555D



Haltec

Height: 63/64 in. Length: 2-5/8 in.
Bend Angle: 60

Length	
3-3/4 in.	HALTV572
4-3/8 in.	HALTV573



Haltec

For Steel wheels; complete with all fittings, valve cap and valve core

SCH545D



Schrader

Length: 2-5/16 in. Angle: 60°
For Aluminum wheels; complete with all fittings, valve cap and valve core

Valve Caps

Finish	
Black	SCH7572B
Chrome	SCH7572V



(SCH7572B) (SCH7572V)

Schrader

Dome-shaped top and guide on skirt for easy application to valve threads.

Wheel End Components



Container/Chassis	967-984
Body Parts	968-974
Floor	968
Front Wall	969
Rear Wall	970
Roof	971
Side Wall.	972-974
Landing Gear	975
Lighting & Electrical	976-977
Safety, Security & Accessories	978-979
Suspensions	980-983
Wheel End	984

The following appendix is a selection of container/chassis parts offered. For a complete list of parts available request an Intermodal Catalog from your Aurora Regional Sales Manager or go online to www.MyAuroraPlus.com.



Appendix: Container/Chassis

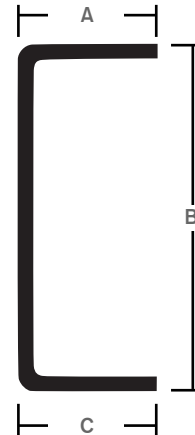
Container/Chassis

Body Parts

Flooring

Crossmembers

Part Number	A	B	C	Length
CMB-CC11	80 mm.	122 mm.	50 mm.	2,400 mm.
CMB-CC12	45 mm.	85 mm.		2,400 mm.
CMB-CC13	45 mm.	100 mm.		2,400 mm.
CMB-CC14	45 mm.	122 mm.		2,400 mm.
CMB-CC15	60 mm.	120 mm.	60 mm.	2,400 mm.
CMB-CC16	60 mm.	120 mm.	80 mm.	2,420 mm.
CMB-CC17	50 mm.	120 mm.		2,400 mm.
CMB-CC18	45 mm.	122 mm.		2,400 mm.
CMB-CC19	45 mm.	85 mm.		2,400 mm.



Plywood

Type	
Routed	WDS4-7
Not Routed	WDS4-7NR
Heavy Duty, Routed	WDS4-7HD

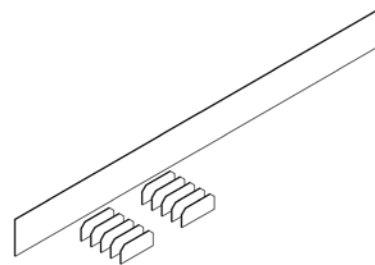


Size: 1-1/8 in. x 4 ft. x 8 ft.

Intermediate Crossmember Repair Kit

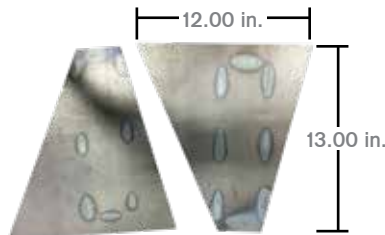
CMB-CC04

Cross Ref: CIMC#MFP54224



Reinforcement Patch

Location	
Roadside	CMB-UN01
Curbside	CMB-UN02

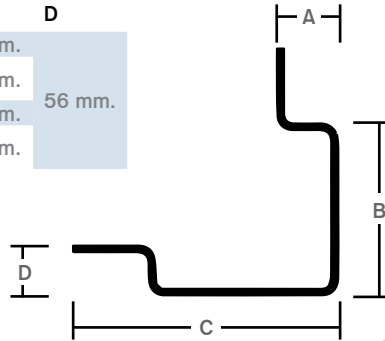


Body Parts

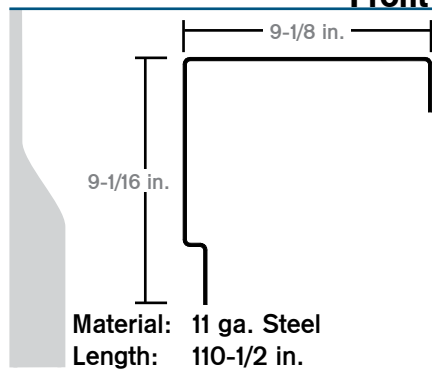
Front Wall

Front Corner Posts

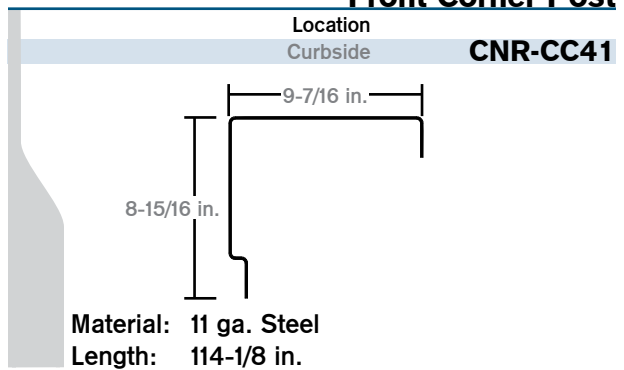
Part Number	Length	A	B	C	D
CNR-CC11	2725 mm.		245 mm.	229 mm.	
CNR-CC12	2400 mm.	46 mm.	225 mm.	209 mm.	56 mm.
CNR-CC13	2700 mm.		225 mm.	209 mm.	
CNR-CC14	2725 mm.		245 mm.	229 mm.	



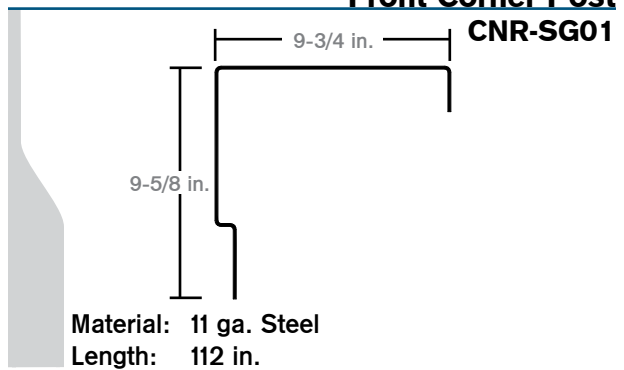
Front Corner Post CNR-CC01



Front Corner Post



Front Corner Post CNR-SG01



Container/Chassis

Appendix: Container/Chassis

Container/Chassis

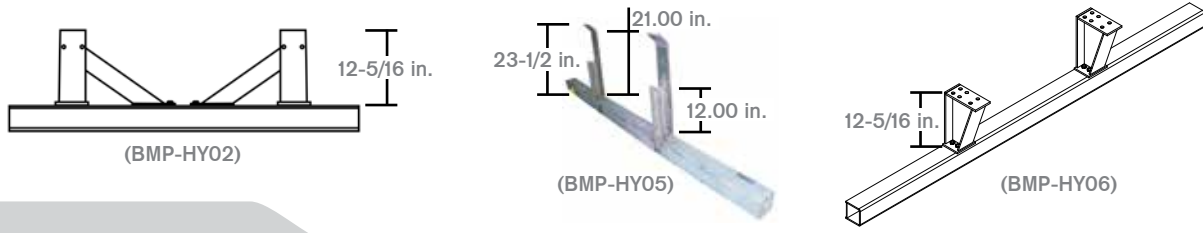
Body Parts

Rear Wall

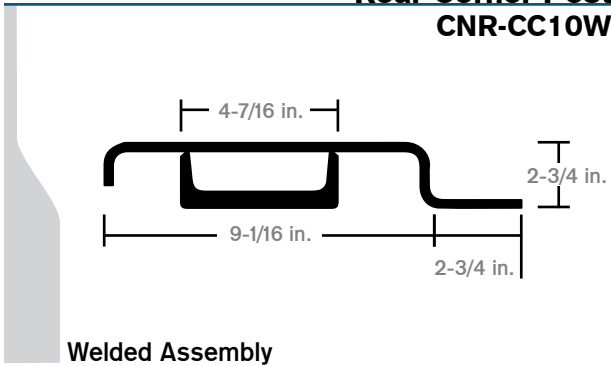
Bumpers

Hyundai Style

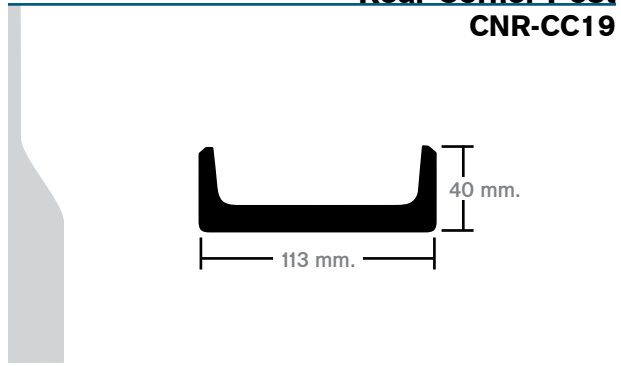
Part Number	Cross Ref:	Type	Length	Material
BMP-HY02	20044010	Bolt-On Bumper Assembly, ICC Complete	94 in.	Steel
BMP-HY05	20006721	Bumper Assembly, ICC	94 in.	Steel
BMP-HY06	20068070	Bolt-On Bumper Assembly	94 in.	Steel, Gray Primer



Rear Corner Post CNR-CC10W



Rear Corner Post CNR-CC19

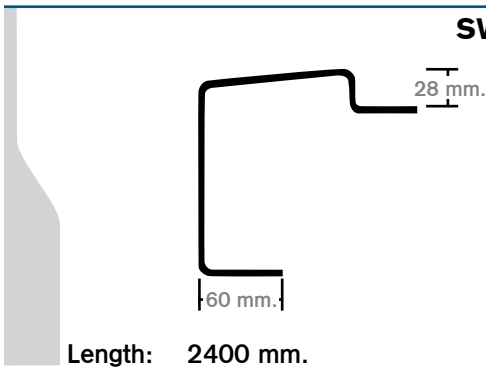


Rear Corner Post

Part Number	A	B	C
CNR-CC16	40 mm.	50 mm.	232 mm.
CNR-CC17	40 mm.	50 mm.	232 mm.
CNR-CC18	39 mm.	70 mm.	230 mm.



Rear Sill SWH-CC31

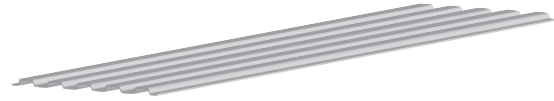


Body Parts

Roof

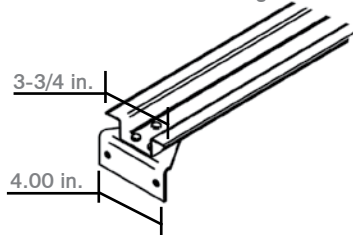
Roof Panels

Part Number	Ribs	Width	Length	Color
ROF-CC01	5	1045 mm.	2356 mm.	
ROF-CC02	4	1045 mm.	2356 mm.	
ROF-CC03	5	1045 mm.	2356 mm.	
ROF-CC05	3	1022 mm.	2730 mm.	
ROF-CC06	5	1045 mm.	600 mm.	
ROF-CC07	4	1144 mm.	2359 mm.	Evergreen
ROF-CC08	4	1144 mm.	600 mm.	Evergreen



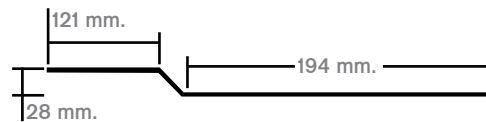
Roof Bow BOW-ST03

Cross Ref: Stoughton# 23-04006-000-00



Material: Galvanized Steel with Clips
Length: 98-1/4 in. Hole Centers: 3 in.

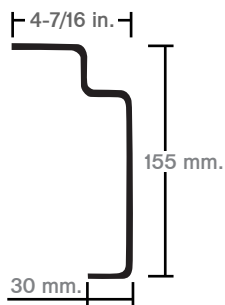
Top End Header TOP-CC11



Length: 2400 mm.

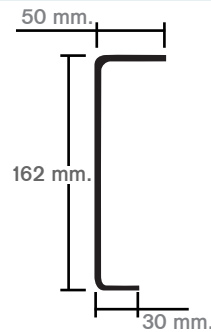
Side Wall: Bottom Side Rails

BOT-CC01



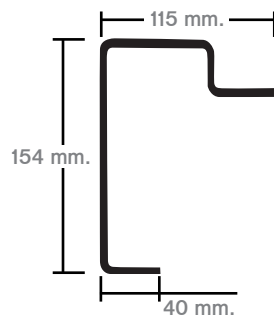
Length: 5702 mm.

BOT-CC02



Length: 5702 mm.

Front BOT-CC03



Length: 2400 mm.

Rear BOT-CC09

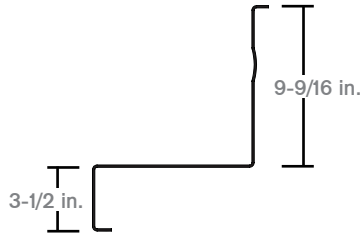


Material: Steel
Length: 70.00 in.

Body Parts

Side Wall: Bottom Side Rails

Bottom Side Rail
BOT-CC10



Material: Galvanized Steel
Length: 71 in.

Bottom Side Rail Splice
BOT-CC11



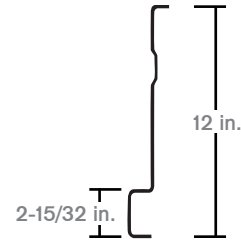
Material: Steel
Length: 40 in.

Bottom Side Rail Splice
BOT-CC12



Material: Steel
Length: 39-7/8 in.

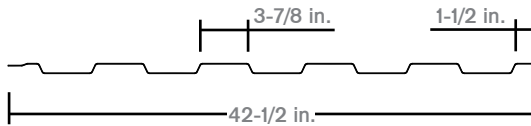
Bottom Side Rail
BUF1208-7935



Material: Steel
Length: 228 in.

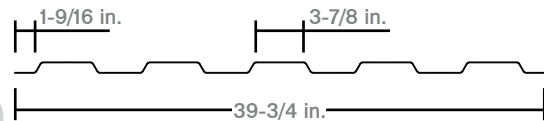
Side Wall: Panels

PNL-CC02



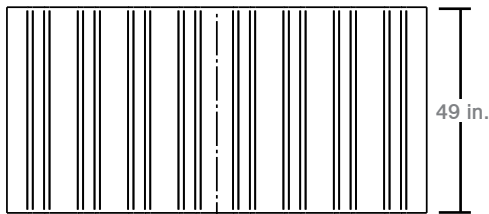
Material: Steel
Length: 98-5/8 in.

PNL-CC03



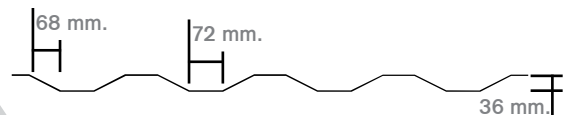
Material: Steel
Length: 98-5/8 in.

PNL-CC05



Material: Steel
Length: 107-15/16 in.

PNL-CC10



Type: Side Ribs: 5
Width: 1116 mm. Length: 2700 mm.

Body Parts

Side Wall: Panels

PNL-CC11

Type: Side
Width: 556 mm. Length: 150 mm.

PNL-CC12

Type: Side
Width: 556 mm. Length: 600 mm.

Part Number	Length	Width	Type
PNL-CC13	300 mm.	1116 mm.	Side
PNL-CC14	600 mm.		
PNL-CC15	2700 mm.		
PNL-CC18	2400 mm.		

Side Wall: Posts

Intermediate Inner SPO-CC02

Material: Steel

Intermediate Outer SPO-CC03

Material: Steel

Hyundai Style SPO-HY04

Material: Aluminum
Length: 108 in.

Stoughton Style SPO-ST01

Cross Ref: Stoughton# 02-19144-107-56

Material: Aluminum
Length: 107-9/16 in.

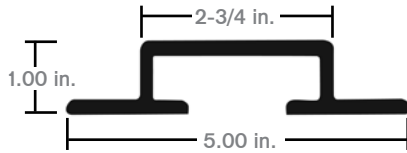
Appendix: Container/Chassis

Body Parts

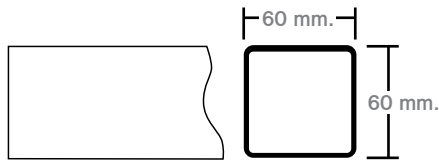
Side Wall: Posts

SPO-ST04

Cross Ref: Stoughton# 02-13352-110-00


 Material: Aluminum
 Length: 110 in.

Side Wall: Top Rails

TOP-CC10


Length: 5702 mm.

Landing Gear

Atlas 55 Series

	Type	Travel	Footware / Additional
BINLG4009-7000E900	Set		
BINLG4009-7100E900	Non Gear Leg	17 in.	Low Profile Sandshoe, HD Solid Axle
BINLG4009-7200E900	Gear Leg		
BINLG4009-9000E900	Set		
BINLG4009-9100E900	Non Gear Leg	19 in.	Low Profile Sandshoe, HD Solid Axle
BINLG4009-9200E900	Gear Leg		

Capacities

Lifting Capacity - Rated	55,000 lbs.
100 ft. lbs. Input Torque	
Ultimate Load Capacity	170,000 lbs.
Side Load Capacity	30,000 lbs.


SAF-Holland

Landing Gear

Standard - Outside Mount

	Type	Travel	Footware / Additional
JOSA400.T18.17	Set		
JOSA400L.T18.17	Non Gear Leg	17 in.	Low Profile Sandshoe Solid Axle
JOSA400R.T18.17	Gear Leg		
JOSA400.T18.19	Set		
JOSA400L.T18.19	Non Gear Leg	19 in.	Low Profile Sandshoe Solid Axle
JOSA400R.T18.19	Gear Leg		



Capacities

Lifting Capacity - Rated	55,000 lbs.
100 ft. lbs. Input Torque	
Ultimate Load Capacity	160,000 lbs.
Side Load Capacity	29,000 lbs.

Jost

H-Style

	Type	Travel	Footware / Additional
PROLG100T18-17H	Set		
PROLG100T18-17H-1	Non Gear Leg	17 in.	Low Pro Shoe Univeral Mount Solid Axle
PROLG100T18-17H-2	Gear Leg		
PROLG100T18-19H	Set		
PROLG100T18-19H-1	Non Gear Leg	19 in.	Low Pro Shoe Univeral Mount Solid Axle
PROLG100T18-19H-2	Gear Leg		



H-Style Gear Kits

Gear Box Kit CMS2	HOLRK-11291
Bevel & Pinion Gear Repair Kit	HOLRK-11290

H-Style Capacities

Lifting Capacity - Rated	39,000 lbs.
100 ft. lbs. Input Torque	
Ultimate Load Capacity	140,000 lbs.
Side Load Capacity	27,000 lbs.

Pro-Par

Accessories

Solid Axle PROLG-AX03



Length: 8-1/4 in.
Material: Steel

Solid Axle Kit BUF1002-2775-KIT



Length: 8-3/8 in.
Capped

Appendix: Container/Chassis

APX

Container/Chassis

Lighting & Electrical

Single Diode Clearance / Marker

MCL11 Series

Uni-Lite 3/4 in. Round LED

Type	Color	
Lamp	Red	OPTMCL11RPG
Lamp	Yellow	OPTMCL11APG



(OPMCL11RPG) (OPTMCL11APG)

Accessories

Grommet
OPTA11GB

0.75 in. Round LED

Type	Color	
0.180 Bullet	Red	PETM176R-BT2
0.180 Bullet	Amber	PETM176A-BT2



(PETM176R-BT2)



(PETM176A-BT2)

2.00 in. Clearance / Marker Lamps

LumenX 190

2.00 in. Round LED

	Color	Type	Connection	Additional
PETM190FR	Red	Reflex Flange		
PETM190FA	Amber	Reflex Flange		
PETM190FR-CLP	Red	Reflex Flange		Locking Tabs
PETM190FA-CLP	Amber	Reflex Flange		Locking Tabs
PETM190FR-AMP	Red	Lamp w/ Hard-Shell Connector		
PETM190FA-AMP	Amber	Lamp w/ Hard-Shell Connector		



(PETM190FR/PETM190FR-AMP)



(PETM190FA/PETM190FA-AMP)

Accessories

Pigtail
PETB162-49
PETB192-492
Retaining Clip
PETB162-093

Model 30 Sealed 2.01 in. Round LED

Additional	Color	
Gray Flange	Red	TRU30051R
Gray Flange	Amber	TRU30051Y



(TRU30051R)



(TRU30051Y)

Accessories

Pigtail
TRU93745

Model 30 Sealed 2.00 in. Round

Type	Color	
Lamp	Red	TRU30200R
Lamp	Yellow	TRU30200Y



(TRU30200R)



(TRU30200Y)

Accessories

Pigtail
TRU94902

Lighting & Electrical

4.00 in. Stop / Tail / Turn Lamps

**814 Single Diode
4.00 in. Round LED**

Type	Color	
Gray Flange-Kit	Red	PETM814R



(PETM814R)

AMP Connector - PL3



Lamp Plug

Accessories

Pigtail
PETB817-49

**824 Single Diode
4.00 in. Round LED**

Type	Color	
Gray Flange-Kit	Red	PETM824R



(PETM824R)



Lamp Plug

Accessories

Pigtail
PETB431-491

Utility Lamps

**290 Great White
3.00 in. Rectangle**

Type	Color	
Top Mount	White	PETM290



**MicroNova
0.75 in. Round LED**

Additional	Color	CCM#	
Black Flange	White	GROTELICLT	GRT60721



Accessories

Grommet
GRT94360

Accessories

Plug Retention Clip

Color	
Stainless Steel	PETB162-093



Fits series 189 & 190 clearance side marker lights

Locking Ring, 1.50 in. Round

Color	
Stainless Steel	OPTA11SRB



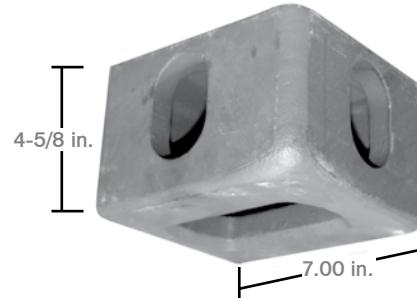
Appendix: Container/Chassis

Safety, Security & Accessories

Container/Chassis

Corner Castings

Part Number	Location	Material
TWL-CC001	Bottom Left	Steel
TWL-CC002	Bottom Right	
TWL-CC003	Top Left	
TWL-CC004	Top Right	



End Castings

Front Bolster

Part Number	Location
BOL-CC20	Curbside
BOL-CC21	Roadside



Vents

VNT-CC01

S Type Small Cigar Vent

VNT-CC02

Tal Type Vent

VNT-CC03

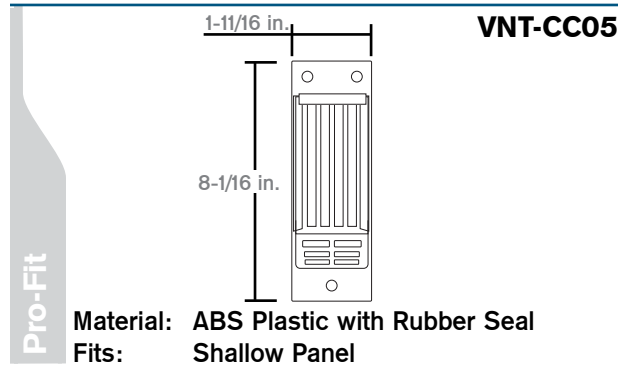
M Type Vent

VNT-CC04

Fits Jindo 48 ft., Pacer 53 ft.
ABS plastic with rubber seal

Safety, Security & Accessories

Vents



Pro-Fit

Container/Chassis

Tech Tip

Twistlock Online

Twistlock & Pinlock Components

Need more information on a particular twistlock?

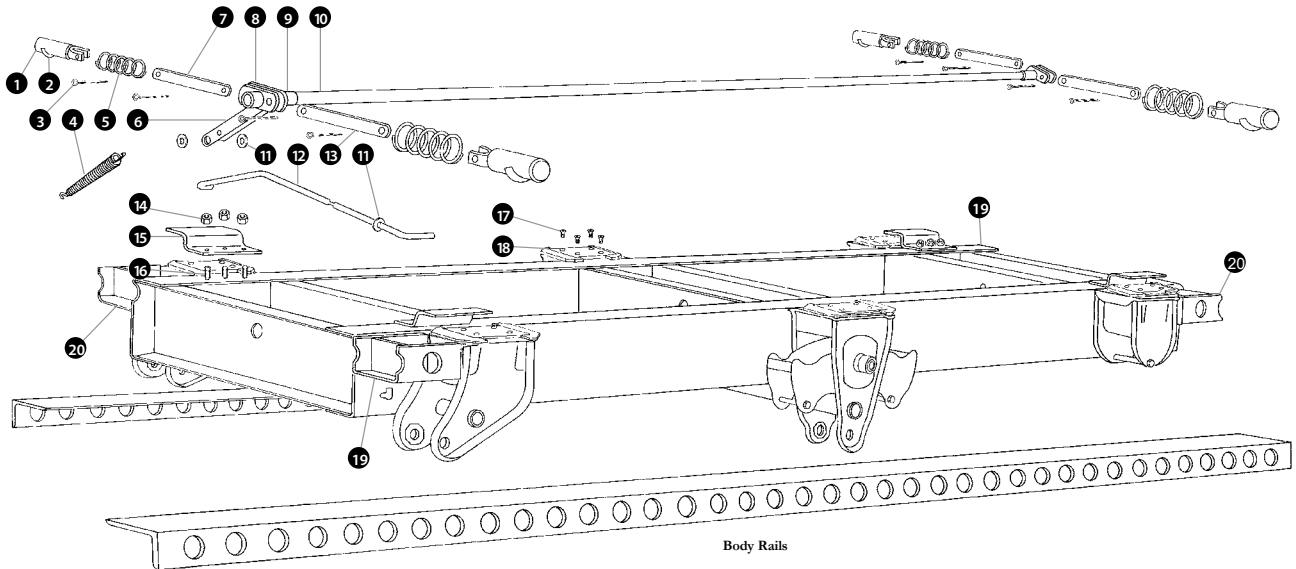
Log into www.MyAuroraPlus.com for Aurora's Graphical Bill of Material (GBOM).

Easily point and click through our twistlocks to drill down to an individual assembly or component.



Suspension

Hutch - 8500 Slider Series



Item	Part Number	Description
1	HUT11410-02	Lock Pin Assembly - 9-3/16 in. LG
2	HUT11414-00	Special Half Washer
3	HUT8016-00	Cotter Pin - 3/8 in. x 1-1/4 in.
4	Spring	
	HUT8018-01	Helax, 12 GA x 1 PD x 8-5/8 in.
	HUT8018-02	Helax, 12 GA x 1 PD x 10-1/8 in.
5	HUT8098-01	Compression Spring - Lock Pin, PL
6	HUT8026-00	Crank - Puller Kit
7	Link	Spring Center Overall Length
	HUT11412-08	36 in. 11-5/8 in.
	HUT11412-02	37 in. 12-5/8 in.
	HUT11412-03	38 in. 13-5/8 in.
	HUT11412-05	42 in. 17-5/8 in.
	HUT11412-16	43 in. 18-5/8 in.
	11412-06^	44 in. 19-5/8 in.
8	HUT8028-00	Cam - Puller Kit
9	HUT405-72	Pipe - 1-1/4 in. STD x 1-3/8 in.
10	HUT8010-17	Pipe - 1 in. STD x 105 in.
11	HUT8054-00	Plain Washer - 5/8 in.
12	HUT8518-00	Pull Handle - 28 in. LG
13	HUT11412-03	Link - 13-5/8 in. OAL

Item	Part Number	Description
14	HUT33-01	Hex Lock Nut - 1/2 in.-20 UNF-2B, GRB
15	HUT8505-00	Slider Hold Down - Zee, 3/8 in. x 6 in.
16	HUT8040-00	Hex Bolt - 1/2 in.-20 UNF x 1-1/4 in. LG, GR5
17	HUT9627-00	Thrd Form Screw - 5/16 in.-18 x 3/4 in.CSHD
18	HUT12818-01	Slider Pad - 1/4 in. x 4 in. 5-1/2 in., UHMW
19	HUT8511-01	Cage Assembly - Lock Pin, LH
20	HUT8511-02	Cage Assembly - Lock Pin, RH

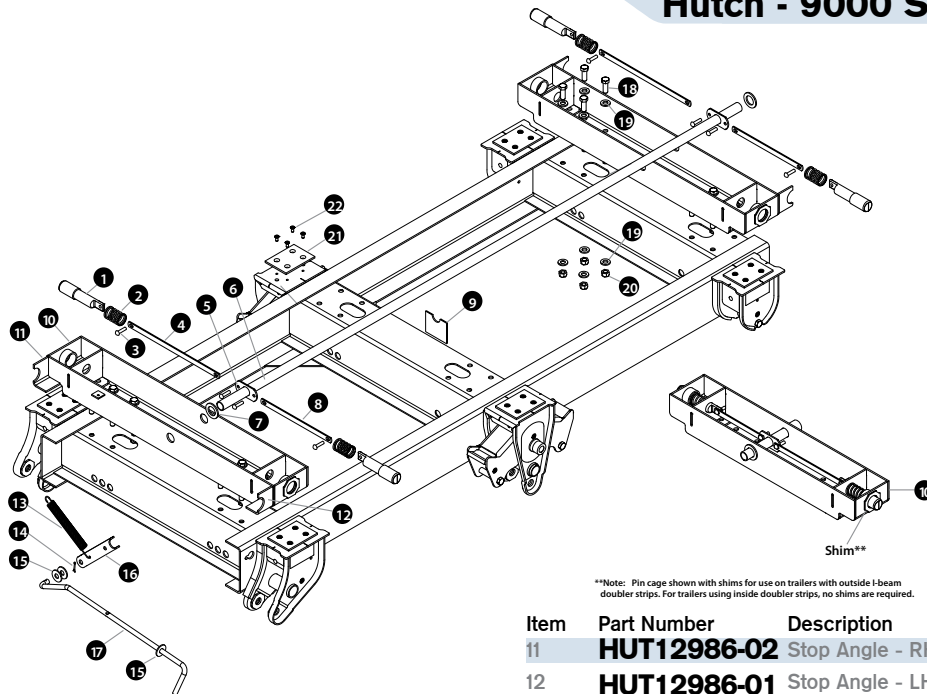
Body Rail Assemblies	Length	Nominal Adj.
HUT8178-01	176 in.	64 in.
HUT8178-02	192 in.	80 in.
HUT8178-03	216 in.	104 in.
HUT8178-04	240 in.	128 in.
HUT8178-05	168 in.	56 in.
8178-06^	228 in.	116 in.
HUT8178-07	200 in.	88 in.

Locator Bar Assemblies	Spring Centers
HUT11641-02	36 in.
HUT11641-04	37 in.
HUT11641-05	38 in.
HUT11641-10	42 in.
HUT11641-06	43 in.
HUT11641-07	44 in.

^Part included for reference only.

Suspension

Hutch - 9000 Slider Series



**Note: Pin cage shown with shims for use on trailers with outside I-beam doubler strips. For trailers using inside doubler strips, no shims are required.

Item	Part Number	Description
1	HUT16006-01	Forged Lock Pin
2	HUT12779-01	Compression Spring
3	HUT12780-01	Rivet - Button Head
4	Link	Spring Centers Overall Length
	HUT11412-25	36 in. 9-3/8 in.
	HUT11412-21	38 in. 11-3/8 in.
	HUT11412-40	43 in. 16-1/16 in.
	HUT11412-24	44 in. 17-3/8 in.
5	HUT8028-00	Cam - Puller Kit
6	HUT8010-16	Pipe - 1 in. STD x 99 in. LG
7	HUT9224-00	Washer - Flat, 3/16 in. Thick x 1-3/8 ID x 2-1/4 OD
8	HUT11412-20	Link - 13-3/8 in. OAL
9	HUT11202-00	Pipe Guide

Item	Part Number	Description
11	HUT12986-02	Stop Angle - RH
12	HUT12986-01	Stop Angle - LH
13	HUT8018-01	Return Spring
14	HUT551-00	Cotter Pin - 1/8in. - 1-1/4in. Steel
15	HUT8054-00	Plain Washer - 5/8in.
16	HUT8026-00	Crank - Puller Kit
17	HUT8518-03	Pull Handle - 28in. LG
18	HUT11512-05	Hex Bolt - 5/8in.-18 UNF 2A x 1-3/4in., GR8
19	HUT10273-00	Washer - 5/8in. Hardened
20	HUT11513-03	Hex Locknut - 5/8in.-18 UNF, 2B, GR C
21	HUT12818-01	Slider Pad - 1/4in. x 4in. x 5-1/2in., UHMWPE
22	HUT9627-00	Thrd Form Screw - 5/16in.-18 x 3/4in., CS HD

Locator Bar Assemblies	Spring Centers
HUT17635-01	36 in.
HUT17635-03	38 in.
HUT17635-04	43 in.
HUT17635-05	44 in.

10	Pin Cage Assembly	Pin Cage w/ Lock Pin Comp.	Spring Centers	Length	Shims
	HUT16238-01	HUT24476-01	36 in.	35-5/16 in.	No
	HUT16244-01	HUT24495-01	36 in.	35-11/16 in.	Yes
	HUT16238-03	HUT24476-02	38 in.	37-5/16 in.	No
	HUT16244-03	HUT24495-02	38 in.	37-11/16 in.	Yes
	HUT16238-30	HUT24476-04	43 in.	42 in.	No
	16244-19[^]		43 in.	42-11/16 in.	Yes
	HUT16238-05	HUT24476-03	44 in.	43-5/16 in.	No
	HUT16244-05	HUT24495-03	44 in.	43-11/16 in.	Yes

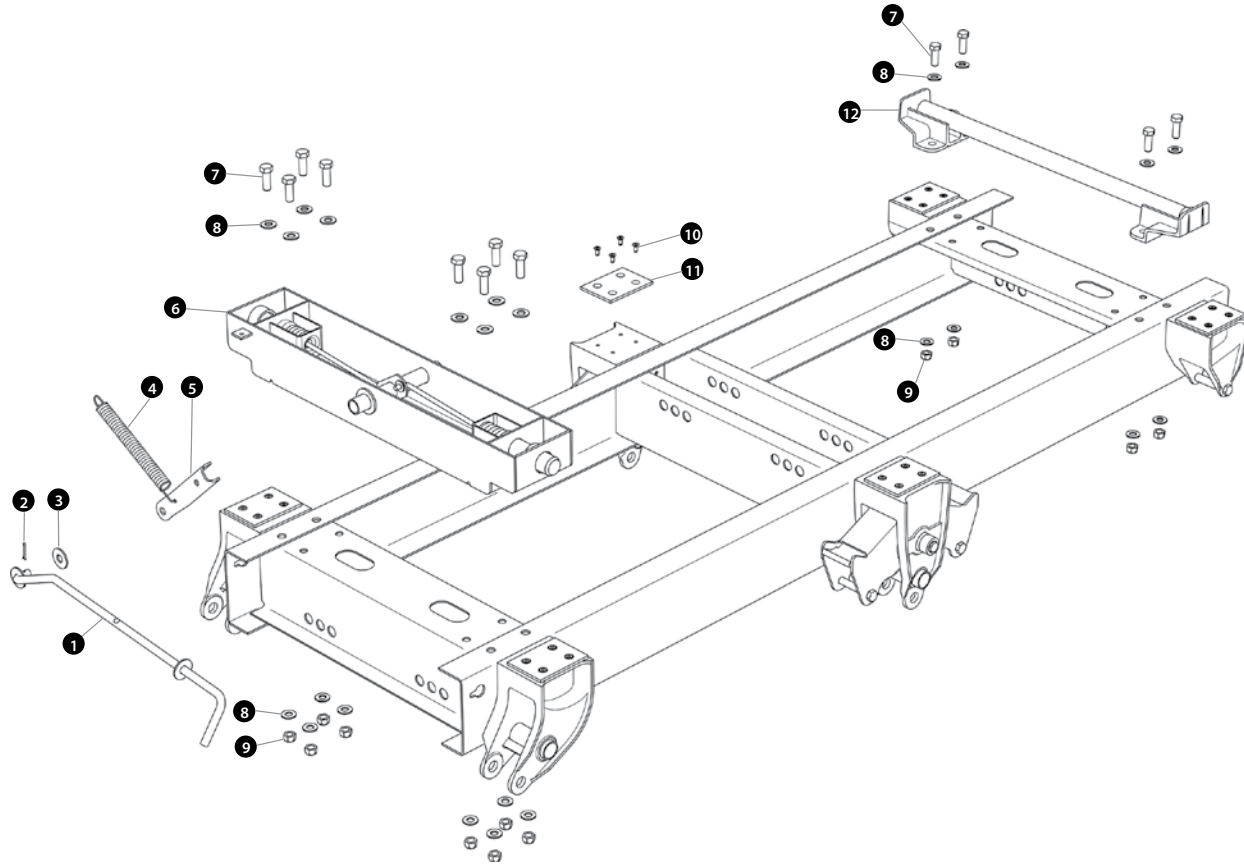
[^]Part included for reference only.

Appendix: Container/Chassis

Container/Chassis

Suspension

Hutch - 9036i Slider



Item	Part Number	Description
1	24987-01 [^]	Pull Handle
2	HUT551-00	Cotter Pin - 1/8in. x 1-1/4in.
3	HUT8054-00	Plain Washer - 5/8in.
4	HUT8018-02	Spring - Hel Ex, 1 PD x 10-1/8in. LG
5	HUT8026-00	Crank - Puller Kit
6	HUT24692-01	Lock Pin

Item	Part Number	Description
7	HUT11512-05	Hex Bolt - 5/8-18 UNF x 1-3/4 in. LG, GR8
8	HUT10273-00	Washers - 1/8in. x 21/32 ID x 1-5/16 OD
9	HUT11513-03	Hex Locknut - 5/8-18 UNF 2B, GRC
10	HUT9627-00	Thread Form Screw - 5/16-18 x 3/4, CS HD
11	HUT12818-01	Slide Pad - UHMWPE 1/4 x 4 x 5-1/2
12	HUT24425-01	Hold Down Assembly - Cast

Assemblies

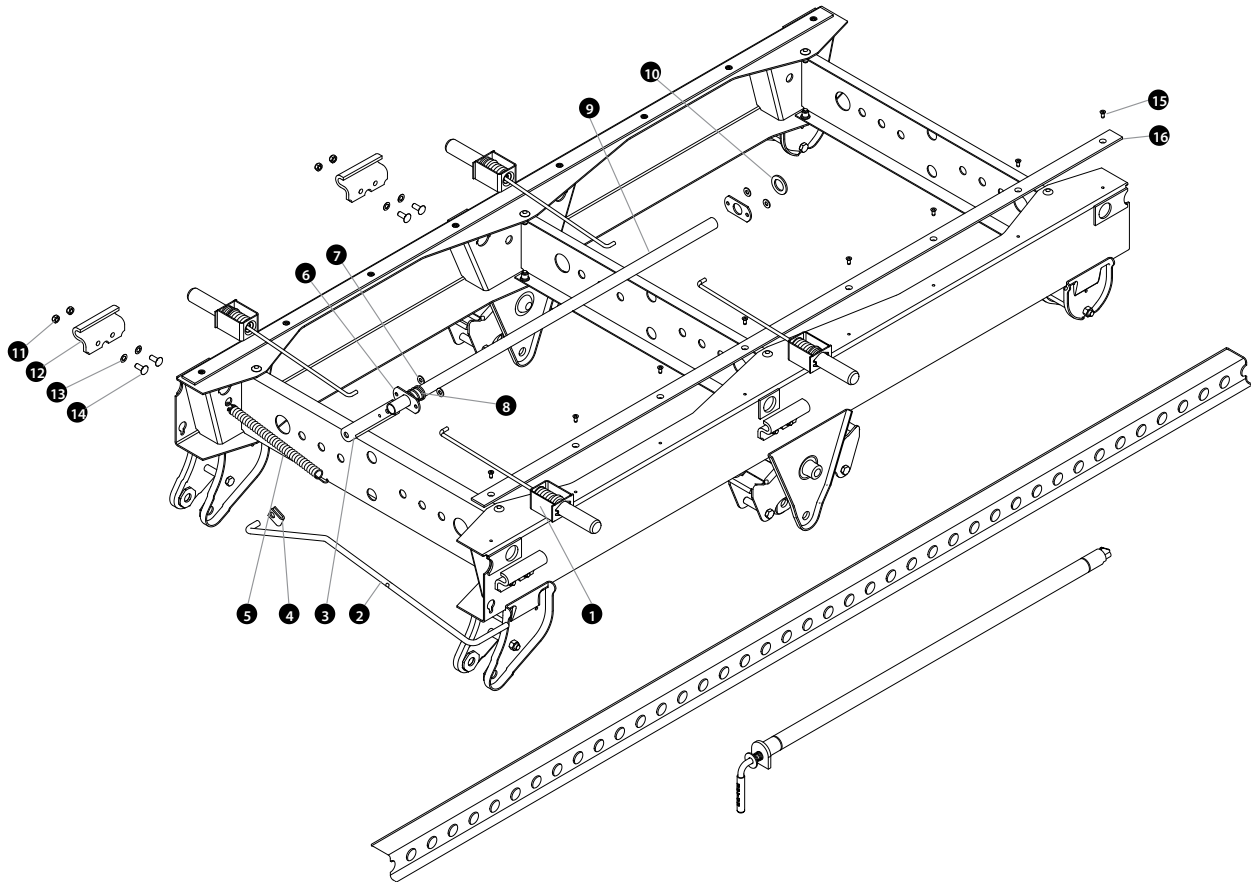
	Includes
HUT24699-01	
HUT25614-02	Soft Coat Assembly Kit with Pin Cage
HUT25639-01	Assembly Kit with Pin Cage
HUT26022-01	Assembly Kit with Fabricated Hangers
HUT26156-01	Assembly Kit with Pin Cage, Hold, Down & RK

[^]Part included for reference only.

Suspension

Hutch - Series 10 Slider

Container/Chassis



Item	Part Number	Description
1	HUT25590-01	EZ Pull Sub Assembly
2	HUT19468-01	Pull Handle
3	HUT19224-01	Crank
4	HUT11409-01	Handle Clip
5	HUT8018-02	Spring - Helix, 1 PD x 10-1/8in. LG
6	HUT8028-00	Cam - Puller Kit
7	HUT177-00	Flat Washer 3/8in.
8	HUT18064-01	Compression Spring
9	HUT8010-29	Pipe - 1in. STD x 50in. LG
10	HUT9224-00	Flat Washer
11	HUT33-01	Hex Locknut - 1/2 in.-20 UNF
12	HUT20289-01	Hold Down Clip
13	HUT25594-01	Push Bolt Retainer - 1/2 in. Bolt

Item	Part Number	Description
14	HUT25595-01	Carriage Bolt - 1/2in. - 20 UNF
15	HUT9627-00	Thread Form Screw - 5/16in.-18 x 3/4 in., CS HD
16	11421-32[^]	Slider Pad - 99in. LG
Body Rail Assemblies		Length
	HUT12713-XX*	100in. - 328in.
	HUT16816-XX*	120in. - 392in.
Locator Bar Assembly		Frame Width
	HUT11642-10	48in.

[^]Part included for reference only.
^{*}Part ending varies by length of material.

Appendix: Container/Chassis

Container/Chassis

Wheel End

Wheel	
Size	22-1/2 in. x 8-1/4 in. PROWH22582510HP2W
	
Material: Steel	Piloted: Hub
Mounting Holes: 10	Color: White
Hand Holes: 2	

Rim	
Size	22-1/2 in. x 8-1/4 in. PROWH225825TLDMRW
	
Material: Steel	Color: White


Steel Spacer Bands

Smooth	
Color	White
Size	20.00 in. x 4.00 in. LSASB4020K
	
Material: Steel	

Corrugated	
Color	White
Size	20.00 in. x 4.00 in. ACC4020CSB
	
Material: Steel	

Tubes

Inner Tube	
TUB10.00-20	
	
Size: 10.00 - 20	
Includes: 5 in. TR78A Valve Stem	

Tire Flap	
TUB20FLAP	
	
Size: 20 in.	
Notes: Wheel Liner	

A

ABXE4515QEN 137
ABXE4515XEX 137
ABXE4702QEN 137
ABXE4702QEX 137
ABXE4707QEN 137
ABXE4707QEX 137
ABXE4707QSDA 137
ABXE4711QRN 137
ABXE4720QRN 137
ABXN4707QEN 137
ACC4020CSB 959, 984
ACC41644SP 957
ACC41644XP 957
ACC50308PW 958
ACC51408PKWHT21 958
ACC5901 957
ACC5902 957
ACC5903 957
ACC790-2 957
ACR43795-10-30 323
ACR43795-15-30 323
ACR48672-14 322
ACR49207-137 329
ACR49246-10-BP 329
ACR49706-10 329
ACR49716-10 329
ACR49723-10 329
ACR49893-13 643
AIR09-022-022A 71
AIR1-10 68
AIR1-24 68
AIR1-26 68
AIR1-29 68
AIR1-30 68
AIR1-33 68
AIR1-35 68
AIR1-38 68
AIR1-39 68
AIR1-4 68
AIR1-42 68
AIR1-45 68
AIR1-47 68
AIR1-49 68
AIR1-52 68
AIR262060-20B 69
AIR262060-20BKIT 68
AIR262060-20R 69
AIR262060-20RKIT 68
AIR262080-20B 69
AIR262080-20BKIT 68
AIR262080-20R 69
AIR262080-20RKIT 68
AIR262288-156S 69
AIR262288-36BVS 69
AIR262288-36RVS 69
AIR262288-44BVS 69
AIR262288-44RVS 69
AIR262288-60BVS 69
AIR262288-60RVS 69
AIR262288-72BVS 69
AIR262288-72RVS 69
AIR346600-112S 71
AIR366600-150 71
AIR4821-06451 68
AIR4821-06498 68
AIR4821-08451 68
AIR4821-08498 68
AIR8000-007 108
AIRBD12 129
AIRBD16 129

AIRBD20 129
AIRBD24 129
AIRBD30 129
AIRBD303 129
AIRBD9 129
AIRGHS-2005B 63
AIRGHS-2005R 63
AIRPS12138-072 69
ALCH-1813 961
ALU1-4 242, 301
ALU27570224 186
ALU27570225 186
ALU2-2 184
ALU2-6 184
ALU2-7 184
ALU2-8 186
ALU3-1-50 245
ANCSC30 123
ANO30-18 682
ANO30-20 682
ANO30-22 682
ANO30-24 682
ANO31-16 682
ANO31-18 682
ANO31-20 682
ANO31-22 682
ANO31-24 682
ANO91-16 682
ANO91-20 682
ANO91-22 682
ANO91-24 682
APT1.13X5 188
APT1.13X5X16FJ 188
APT1.13X7 188
APT1.13X7X16FJ 188
APT1.31X5 188
APT1.31X5X16FJ 188
APT1.31X7 188
APT1.31X7X16FJ 188
APT1.38X5 188
APT1.38X5X16FJ 188
APT1.38X7 188
APT1.38X7X16FJ 188
APT1.5X5 188
APT1.5X7 188
APT1.5X7-SQ 188
APT2X7-SQ 188
APT2X8-SQ 188
APT3009 950
APT3067 950
AUTEQ039 814, 827, 925
AUTM470 811, 813, 814
AUTM9622 816
AVD2711-0817 725
AVD2774-0617 725
AVD2774-0817
 725, 734, 736, 738, 740
AVD2774-0824 725
AWR1096609 315

B

BAG16X26 760
BAG6X10 760
BAG6X12 760
BAG6X8 760
BAG9X18 760
BBT4070-0032 513
BBT4070-0045 513
BBT4280-0001-001 281
BBT5180-0079 226
BBTP4610-0001 281
BBTP6760-0009 97

BBTP6760-0039 108
BBTP7160-0030-001 319
BBTP7160-0132-004 224
BBTP7160-0137-004 330
BBTP7440-0026 730
BBTP8260-0015 224
BBTRUBXZ0048-01400 235
BEN065175 166
BEN065436 104
BEN065476 84
BEN101450 107
BEN102626 84
BEN108709 104
BEN108769 84
BEN229859 82
BEN275491 105
BEN283700 107
BEN285172N 97
BEN800333 82
BEN800372 101
BEN800373 101
BEN800375 101
BEN800677 25, 27, 29
BEN801538 18
BEN801544 18
BEN801747 108
BEN801856 20
BEN801993 20
BEN802025 19
BEN802026 19
BEN802052 19
BEN802569 121
BEN802902 16
BEN802985 121
BEN802997 18
BEN803114 135
BENK019708 20
BENK019711 20
BENK022105 40
BENK029519 18
BENK033216 89
BENK033221 89
BENK033223 89
BENK034202 129
BENK043197 166
BENK049777 82
BENK070796 120
BENK109808 20
BENK132352 119
BENK25670 119
BENNT3030ELS-WC 125
BENOR109617 89
BENOR275491X 105
BENR12 85
BESA25RL 673
BESA25RLB-40 673
BESA35RL 673
BESA35RLB-40 673
BESA81RL 673
BESB1732 677
BESB23 673
BESB25 673
BESB33 673
BESB35 673
BESB516P 678, 718
BESB573025NTBK 675
BESB573025WTK 675
BESB673025NTBK 675
BESB673025WTK 675
BESB703000RTSK 675

- BESB711 677
- BESK1732 677
- BESK711 677
- BESRT25 678
- BESRT35 678
- BETPS1 663
- BETPS71 663
- BIN50616001
 - 481, 483, 485, 491
- BIN50616008
 - 481, 483, 485, 491
- BIN-BIN72H 761
- BINDWH18E480000N00 906
- BINDWH18F480000N00 906
- BINLG0045-01 508
- BINLG0048-01 483, 487, 508
- BINLG0050 487, 493, 495
- BINLG0051 487, 493, 495
- BINLG0055 487, 489, 493
- BINLG0056 487, 489, 493, 495
- BINLG0065 493
- BINLG0065-01 493
- BINLG0066-20 508
- BINLG0070-02
 - 481, 483, 485, 487, 489, 491, 493
- BINLG0083-01 479, 505
- BINLG0083-04 505
- BINLG0085-P 506
- BINLG0094 479
- BINLG0094-6500 507
- BINLG0094-6650 507
- BINLG0094-8050 507
- BINLG0094-XXX 489
- BINLG0094-XXXX 481
- BINLG0219-01 483, 485
- BINLG0259 483
- BINLG0260 483
- BINLG0261-01 483, 485, 506
- BINLG0264 483
- BINLG0266 514
- BINLG0369-01 483
- BINLG0370-01 483
- BINLG0370-05 483
- BINLG0371-01 483, 485
- BINLG0428 483, 485
- BINLG0436 483
- BINLG0437 483, 485
- BINLG0438 483
- BINLG048-01 485, 491
- BINLG0531-02 483
- BINLG0541-01 483, 485
- BINLG0542-01 483, 485
- BINLG0543-01 483, 485
- BINLG0570-01 483, 485, 487
- BINLG0574-01 483
- BINLG0658-01 483, 485, 487
- BINLG0659-01 483, 485, 487
- BINLG0663 483, 485
- BINLG0718-01 485, 487, 491
- BINLG0725 483, 485, 487, 491
- BINLG0726 483, 485, 487, 491
- BINLG0740-01 485, 487, 491
- BINLG0927 485, 487
- BINLG0928 485
- BINLG0936-51 487
- BINLG0944-100 487
- BINLG0946 485, 487
- BINLG0946-02 485, 487
- BINLG0947 485
- BINLG0947-02 485
- BINLG0948 485, 487
- BINLG0949 485
- BINLG1823-01 485, 487
- BINLG1829 495
- BINLG1870 522
- BINLG2094 483, 485, 487
- BINLG2095 483, 485, 487
- BINLG2145-999 487
- BINLG2147 487
- BINLG2187-01 487
- BINLG2462 487
- BINLG2463-01 487
- BINLG2464-01 487
- BINLG2465-01 487
- BINLG4001-70000000 496
- BINLG4001-71000000 496
- BINLG4001-72000000 496
- BINLG4001-900000 496
- BINLG4001-91000000 496
- BINLG4001-92000000 496
- BINLG4003-71000000 496
- BINLG4003-72000000 496
- BINLG4008-71600000 496
- BINLG4008-72600000 496
- BINLG4009-7000E900 974
- BINLG4009-7100E900 974
- BINLG4009-7200E900 974
- BINLG4009-9000E900 974
- BINLG4009-9100E900 974
- BINLG4009-9200E900 974
- BINLG400B-70000000 496
- BINLG400B-70500000 496
- BINLG400B-71000000 496
- BINLG400B-71500000 496
- BINLG400B-72000000 496
- BINLG400B-72500000 496
- BINLG5001-70000000 496
- BINLG5001-71000000 496
- BINLG5001-72000000 496
- BINLG5008-70000000 496
- BINLG5008-71000000 496
- BINLG5008-72000000 496
- BINPP0012-36 903
- BINPP0012-37 903
- BINPP0020-18 904, 911
- BINPP0050-73 903
- BINPP0050-75 903
- BINPP0052-28 904
- BINRK-11074-01 487
- BINSLO041-01 909
- BINSLO088 904
- BINSLO293-01 909
- BINSLO450 904, 910
- BINSLO515 904
- BINSLO523-07 903, 904
- BINSLO744-03 904
- BINSLO744-07 904, 909
- BINSLO853-16 911
- BINSLOA1203-13 911
- BINSLOA1238 903
- BINSLOA1239-01 903
- BINSLOA1269-01 910
- BINSLOA1269-02 903
- BINSLOA1445-01 910
- BINSLOA1480-28 911
- BINSLE98E8B0000N00 906
- BINSLOA1238 910
- BINSLOA1243-02 909
- BINSLOA1274 903
- BINSLOA1277-01 903, 912
- BINSLOA1550 903
- BINSLW98E480000N00 906
- BINSLW98E8W0000N00 906
- BINSP0099 903
- BINSP0100 903, 906
- BINSP0110 903, 906
- BINSP0120 903, 906
- BINSP0123 903, 908
- BINSP0131 903, 909
- BINSP0142-01 912
- BINSP0143 903, 908
- BINSP0160 906
- BINSP0162 906
- BINSP0170 903
- BINSP0178 903
- BINSP0202-01 908
- BINSP0291 906
- BINSPK0010 928
- BINSPK0013 928
- BINSPK0056 904
- BINTB-0273 224
- BINTB027307V5N002D 224
- BINTB027307W6N002D 224
- BINTB-0273B-07L7N1 224
- BINXA-V-06600 495
- BINXA-V-06601 495
- BINXA-V-06603 495
- BINXA-V-06604-1 495
- BINXA-V-06606 495
- BINXA-V-06624-A 495
- BINXB-BAL-023-07
 - 483, 485, 487, 495
- BINXBBRG01377
 - 483, 485, 487, 489, 491, 493
- BINXB-CTP-014-59 903, 904
- BINXB-GP-014-07 485
- BINXB-GP-014-07 483
- BINXB-GP-014-18 489, 491, 493
- BINXB-GP-052-21 491, 493
- BINXB-GP-052-49 487
- BINXB-HHB-050-58 493
- BINXB-HHC-001-33
 - 899, 903, 904, 905
- BINXB-HHC-050-42
 - 481, 483, 485, 487, 489, 491, 493
- BINXB-KEY-018-02
 - 483, 485, 487
- BINXB-LG0085 495
- BINXB-LG0413 483
- BINXB-LG0544
 - 483, 485, 487, 489, 491, 493
- BINXB-LG0660 483, 485
- BINXB-LG0663 483, 485
- BINXB-LG0713 493, 495
- BINXB-LG0891 487
- BINXB-LG0893 487
- BINXB-PW-016-03
 - 483, 485, 487, 491, 493
- BINXB-PW-016-08 903, 904
- BINXB-PW-016-19
 - 483, 485, 487
- BINXB-SEL-030-17 487, 489
- BINXB-SL0016-68 904
- BINXB-SLN-012-42 903, 904
- BINXB-SP0011-44 903
- BINXB-SP0012-10
 - 483, 485, 487, 491, 493
- BINXB-SP0012-10 903
- BINXB-SP0016-67 903
- BINXB-SP0074-KU 928

BINXB-SP-014-27	483, 485, 487, 489	BLT-CB0512 713	BLT-GEU0611 716
BINXB-SPG-020-36	483, 485, 487, 495	BLT-CB0520 713	BLT-GEU0612 716
BINXB-SPG-020-36 911		BLT-CB0522 713	BLT-GEU0622 716
BINXB-STS-008-11	481, 483, 485, 487, 489, 491, 493	BLT-CB0530 713	BLT-GEU0630 716
BKT-UN01 587		BLT-CB0610 713	BLT-GEU0703 716
BLO10159-1 458		BLT-CB0611 713	BLT-GEU0710 716
BLO10364 458, 459		BLT-CB0612 713	BLT-GEU0711 716
BLO10556 458, 459		BLT-CB0620 713	BLT-GEU0712 716
BLO10557 458, 459		BLT-CB0622 713	BLT-GEU0722 716
BLO22084 458		BLT-CB0630 713	BLT-GEU0730 716
BLO22182 458, 459		BLT-CBEL0411 715	BLT-GEU0810 716
BLO22183 458, 459		BLT-CBEL0412 715	BLT-GEU0811 716
BLO22185 458, 459		BLT-CBEL0413 715	BLT-GEU0812 716
BLO22192 458, 459		BLT-CBEL0420 715	BLT-GEU0813 716
BLT00233 713		BLT-CBEL0422 715	BLT-GEU0820 716
BLT00646 730		BLT-CBEL0430 715	BLT-GEU0822 716
BLT11-20 742		BLT-CBEL0511 715	BLT-GEU0830 716
BLT11-201 742		BLT-CBEL0512 715	BLT-GEU0832 716
BLT11-230 736		BLT-CBEL0520 715	BLT-GEU0840 716
BLT11-232 365, 379, 399		BLT-CBEL0611 715	BLT-GEU0842 716
BLT12-1 715		BLT-CBEL0612 715	BLT-GEU1010 716
BLT12-2 715		BLT-CBEL0613 715	BLT-GEU1011 716
BLT1-250 717		BLT-CBEL0620 715	BLT-GEU1012 716
BLT1-302 717, 742		BLT-CBEL0622 715	BLT-GEU1013 716
BLT1-381A 717, 811, 812, 813, 815		BLT-CBEL0630 715	BLT-GEU1020 716
BLT1-507 814		BLT-CBRN0411 714	BLT-GEU1022 716
BLT16-20 713		BLT-CBRN0412 714	BLT-GEU1030 716
BLT2-13 713		BLT-CBRN0420 714	BLT-GEU1032 716
BLT31464810 928		BLT-CBRN0511 714	BLT-GEU1040 716
BLT31464812 928		BLT-CBRN0512 714	BLT-GEU1042 716
BLT31464813 928		BLT-CBRN0520 714	BLT-GEU1210 716
BLT31464814 928		BLT-CBRN0611 714	BLT-GEU1211 716
BLT31464815 928		BLT-CBRN0612 714	BLT-GEU1212 716
BLT31464816 928		BLT-CBRN0620 714	BLT-GEU1213 716
BLT31464900 928		BLT-CBST0411 714	BLT-GEU1220 716
BLT31464903 928		BLT-CBST0412 714	BLT-GEU1222 716
BLT31464904 928		BLT-CBST0420 714	BLT-GEU1230 716
BLT31464905 928		BLT-CBST0511 714	BLT-GEU1232 716
BLT31464910 928		BLT-CBST0512 714	BLT-GEU1240 716
BLT31464912 928		BLT-CBST0612 714	BLT-GEU1242 716
BLT31465000 928		BLT-CBST0620 714	BLT-GEUF0813 717
BLT31465010 928		BLTF6719580-63007C 715	BLT-GEUF0820 717
BLT60753008	717, 734, 736, 737, 740	BLTF8721668-96 713, 739	BLT-GEUF0821 717
BLT60753101 713, 740		BLTF8721689-96 713	BLT-GEUF1013 717
BLT60753117 713, 742		BLTF9921723-0192 29	BLT-GEUF1020 717
BLT60753162 738, 740		BLTFSP005-05KIT 522	BLT-GEUF1021 717
BLT60759910 522, 718		BLTFSP005-05KIT 718	BLT-GEUF1220 717
BLT60759920 713		BLT-GES1010 716	BLT-GFU0403 717
BLT60759950 713		BLT-GES1022 716	BLT-GFU0410 717
BLT6-2 715		BLT-GES1050 716	BLT-GFU0411 717
BLT6-3 715		BLT-GES1210 716	BLT-GFU0412 717
BLT9-5 715		BLT-GES1222 716	BLT-GFU0413 717
BLT9-6 715		BLT-GES1250 716	BLT-GFU0420 717
BLT9-7 715		BLT-GES1422 716	BLT-GFU0422 717
BLT9-9 715		BLT-GES1450 716, 829	BLT-GFU0430 717
BLT99-2 715		BLT-GES1460 829	BLT-GFU0503 717
BLT99-3 715		BLT-GEU0403 716	BLT-GFU0510 717
BLT9-9S 737		BLT-GEU0410 716	BLT-GFU0511 717
BLT-CB0410 713		BLT-GEU0411 716	BLT-GFU0512 717
BLT-CB0411 713		BLT-GEU0412 716	BLT-GFU0513 717
BLT-CB0412 713		BLT-GEU0422 716	BLT-GFU0520 717
BLT-CB0420 713		BLT-GEU0430 716	BLT-GFU0522 717
BLT-CB0422 713		BLT-GEU0503 716	BLT-GFU0530 717
BLT-CB0430 713		BLT-GEU0510 716	BLT-GFU0603 717
BLT-CB0510 713		BLT-GEU0511 716	BLT-GFU0610 717
BLT-CB0511 713		BLT-GEU0512 716	BLT-GFU0611 717
		BLT-GEU0522 716	BLT-GFU0612 717
		BLT-GEU0530 716	BLT-GFU0613
		BLT-GEU0603 716	717, 819, 820, 822, 823
		BLT-GEU0610 716	BLT-GFU0620 717

BLT-GFU0622	717	BOT-HY54-1320	272	BUF1002-1303-KIT	509
BLT-GFU0630	717	BOT-HY54-6260	272	BUF1002-1304-KIT	509
BLT-GFU0703	717	BOT-SK01-1320	273	BUF1002-1305-KIT	509
BLT-GFU0710	717	BOT-SK01-6260	273	BUF1002-1407-KIT	509
BLT-GFU0711	717	BOT-ST01-1320	272	BUF1002-2775-KIT	509
BLT-GFU0712	717	BOT-ST01-6260	272	BUF1002-2775-KIT	975
BLT-GFU0713	717	BOT-ST05-1320	272	BUF1003-1296	505
BLT-GFU0720	717	BOT-ST05-6260	272	BUF1003-1297	505
BLT-GFU0722	717	BOT-ST07-1748	272	BUF1003-1298	505
BLT-GFU0730	717	BOT-TM01-1320	273	BUF1003-1365	505
BLT-GFU0811	717	BOT-TM01-6260	273	BUF1003-1366	505
BLT-GFU0812	717	BOT-UT01-1320	273	BUF1003-1367	505
BLT-GFU0820	717	BOT-UT01-3600	273	BUF1003-1406	479, 506
BLT-GFU0822	717	BOT-UT01-6260	273	BUF1003-1664	505
BLT-GFU0871	817	BOT-UT02-3600	273	BUF1003-1695	505
BLT-GFU1011	717	BOT-UT02-6260	273	BUF1003-6430	505
BLT-GFU1012	717	BOT-UT04-1320	273	BUF1003-6857	505
BLT-GFU1020	717	BOT-UT04-6260	273	BUF1003-6858	505
BLT-GFU1022	717	BOT-VN01-3600	273	BUF1003-6859	505
BLTKIT1207	713	BOT-VN01-6240	273	BUF1003-6863	505
BLTKIT-3	716	BOT-VN07-1320	273	BUF1004-1368	506
BLTKIT-HOL	349	BOT-VN07-6240	273	BUF1005-1385	507
BLTMDRBOLT14114	715	BOT-VN08-1320	274	BUF1005-1478	507
BMP-HY01D	217	BOT-VN08-6240	274	BUF1005-2388	507
BMP-HY02	970	BOW-GD01	238	BUF1006-1309	511
BMP-HY05	970	BOW-GD02	238	BUF1006-1310	511
BMP-HY06	970	BOW-GD03	238	BUF1006-1311	511
BMP-HY08	217	BOW-GD04	238	BUF1006-1613	511
BMP-ST01	224	BOW-HY01	239	BUF1006-1614	511
BMP-ST12	218	BOW-HY01-UN	239	BUF1006-1615	511
BMP-UN01S	224	BOW-HY02-UN	239	BUF1006-2016	511
BMP-UN02	218	BOW-HY03	239	BUF1007-1607-CS	519
BMP-UN03	224	BOW-HY05	239	BUF1007-1607-RS	519
BOD0175-120	252	BOW-MA01	239	BUF1007-1779-CS	518
BOD0175-576	252	BOW-SK01	240	BUF1007-1779-RS	518
BOL-CC20	978	BOW-SK02	240	BUF1008-1306	513
BOL-CC21	978	BOW-SK04	240	BUF1008-1307	513
BOT-CC01	971	BOW-SK05	240	BUF1008-1467	514
BOT-CC02	971	BOW-ST02	239	BUF1008-1631	514
BOT-CC03	971	BOW-ST03	240, 971	BUF1008-2642	514
BOT-CC09	971	BOW-ST04	240	BUF1008-2648	514
BOT-CC10	972	BOW-TM01	240	BUF1008-2986	514
BOT-CC11	972	BOW-TM02	240	BUF1206-1170	230
BOT-CC12	972	BOW-TM03	241	BUF1208-7935	972
BOT-GD01-1320	270	BOW-UT01	241	BUF1401-2172	474
BOT-GD01-3600	270	BOW-VN01	241	BUF1401-2173	458
BOT-GD01-6260	270	BOW-VN03	241	BUF1401-2175	458
BOT-GD02-1320	270	BRV00005	723	BUF1401-2176	458
BOT-GD02-6360	270	BSH9057	777	BUF1401-2189L	458, 459
BOT-GD03-1320	270, 271	BSH92012	777	BUF1401-2190-L	475
BOT-GD03-6260	270	BSH92036	777	BUF1401-2190-R	475
BOT-GD03-6360	271	BSH92508	777	BUF1401-2194L	458, 459
BOT-GD04-3600	270	BSH92509	777	BUF1401-2194R	458, 459
BOT-GD04-6260	270	BSH92510	777	BUF1401-2587	474
BOT-GD05-623A	270	BSH93039	777	BUF1401-8149	474
BOT-GD07-3600	271	BSH93078	777	BUF1402-6216	453
BOT-GD07-6360	271	BSH93079	777	BUF1402-6856	435
BOT-GD11-6242	271	BSH93502	777	BUF1404-2287	434
BOT-HY01-3600	271	BSH93505	777	BUF2002-2866	676
BOT-HY01-6260	271	BSH9514	777	BUF4406-7708	191
BOT-HY02-3600	271	BSH9603	777	BUF4502-1276	228, 641
BOT-HY02-6260	271	BSH9603HD	777	BUYB239918C	229
BOT-HY03-1320	271	BUF1001-1291	508	BUYB27028LMZ	235
BOT-HY03-6260	271	BUF1001-1292	508	BUYB52641	228, 641
BOT-HY04-6260	271	BUF1001-1295	508	BUYB5500	228, 641
BOT-HY06-6260	271	BUF1001-6231	508	BUYD324	227, 640
BOT-HY08-3600	272	BUF1001-6476	508	BUYHPGS100	332
BOT-HY08-6240	272	BUF1001-8069	508	BUYL8815	681
BOT-HY11-3240	272	BUF1001-8069-KIT-P	508	BUYTGL3410	235
BOT-HY36-1740	272	BUF1002-1294	510	BUYTGL3410ST	235

BUYTGL34SB 235
BUYTGL34SBR 235

C

CAP-GD01 193
CAP-GD02 194
CAP-GD03 194
CAP-GD04 194
CAP-GD05 194
CAP-GD09 194
CAP-GD11 194
CAP-GD12 194
CAP-GD13 194
CAP-HY01 194
CAP-MA05 195
CAP-MN01 195
CAP-MN02 195
CAP-MN03 195
CAP-MR01 195
CAP-SK01 196
CAP-SK02 196
CAP-SK04 197
CAP-SK06 197
CAP-ST01 196
CAP-ST02 196
CAP-ST03 196
CAP-ST04 196
CAP-ST05 196
CAP-ST06 196
CAP-ST07 196
CAP-TM01 197
CAP-TM02 197
CAP-TM03 197
CAP-TM04 197
CAR36-402 319
CAR36-402-2 319
CAR36-800 320
CHA-UT01 191
CHM12320P 684
CHM4120P 684
CLP03-068-040 74
CLP09-019-004A 74
CLP09-17-020A 74
CLP10-01 73
CLP23-024-015 74
CMB-CC04 968
CMB-CC11 968
CMB-CC12 968
CMB-CC13 968
CMB-CC14 968
CMB-CC15 968
CMB-CC16 968
CMB-CC17 968
CMB-CC18 968
CMB-CC19 968
CMB-GD02 182
CMB-GD04 182
CMB-GD05 182
CMB-GD07 182
CMB-GD20 182
CMB-GD24 182
CMB-HY02 182
CMB-ST01 183
CMB-ST02 186
CMB-ST04 183
CMB-ST05 183
CMB-TM01 183
CMB-UN01 968
CMB-UN02 968
CMB-UT01 183
CMB-UT04 183

CMB-UT06 184
CMK4X1307 315
CMK4X1309 315
CMK4X410 315
CMK4X412 316
CMK4X414 316
CMK4X455329 316
CMK595529 316
CMK607062 312
CMK638294 312
CMK657721 315
CMK664050-2 312
CMK664062-2 312
CMKM6507A 315
CMKM651AG 313
CMKS941150 312
CMT10001331 963
CMT10009830 935
CMT10009920 935
CMT10012097 936
CMT10014756 935
CMT10018609 121
CMT10020147 935
CMT10020682 121
CMT10025912 936
CMT10033071 935
CMT10041543 935
CMT10080760 936
CMT10081828 935
CMT10082225 937
CMT10082229 937
CMT10082250 937
CMT10082252 937
CMT10082254 937
CMT10082256B 937
CMT10083512 121
CNR-CC01 969
CNR-CC10W 970
CNR-CC11 969
CNR-CC12 969
CNR-CC13 969
CNR-CC14 969
CNR-CC16 970
CNR-CC17 970
CNR-CC18 970
CNR-CC19 970
CNR-CC41 969
CNR-GD01 198
CNR-GD02 198
CNR-GD03 198
CNR-GD06 205
CNR-GD07 198
CNR-GD11 198
CNR-GD12 205
CNR-GD43 199
CNR-GD66 207
CNR-GD82 198
CNR-HY01 199
CNR-HY02 199
CNR-HY03 199
CNR-HY04 205
CNR-HY05 205
CNR-HY06 199
CNR-HY10 199
CNR-HY16 205
CNR-HY23 205
CNR-HY34 205
CNR-HYAW 199
CNR-HYQ5 199
CNR-MA04 200

CNR-SG01 969
CNR-SK01 201
CNR-SK02 201
CNR-SK03 205
CNR-SK10 201
CNR-ST01 200
CNR-ST02 200
CNR-ST03 201
CNR-ST04 201
CNR-ST36 201
CNR-ST41 201
CNR-TM01 201
CNR-TM03 202
CNR-TM05 202
CNR-UT01 202
CNR-UT02 202
CNR-UT03 202
CNR-UT04 202
CNR-UT05 202
CNR-UT06 202
CNR-UT09 202
CNR-VN01 203
COL55036-14-BP 634
COL5582-10 634
COL81264 634
CRC05005 704
CRC05018 694
CRC05037 703
CRC05048 709
CRC05050 692
CRC05088 692
CRC05089 692
CRC14412 685
CRC5347 712
CRCSL2432 707
CRCSL3190 700
CRG-5030FH-Y 322
CRG-CB155 314
CRG-COILMAT 661
CRG-CPP24BLUE 326
CRG-FELTPAD 661
CRG-LDCOIL 661
CRG-RCP4 327
CRG-RT21CRB 328
CRG-SCP 326
CRG-TC382070 312
CRG-WB2 331
CROTCS-4479 507
CRS1282 940
CRS1343 939, 940
CRS1399 939, 941
CRS1399B 939
CRS1612 940, 941
CRS1643 940, 941
CRS1643B 940
CRS1696 940, 941
CRS1743 940, 941
CRS35058 955
CRS35066 955
CRS38780 955
CRS40129 955
CRS40136 955
CRS42623 955
CRS42627 955
CRS43764 955
CRS450434 951
CRS453795 950
CRS457627 762
CRS46300 955
CRS46305 955

- CRS47691 955
- CRS47697 955
- D**
- D-28398-2L 839
- D-28398-2R 839
- DAN127808 151
- DAN43-7118 151
- DAN500412-12 835
- DAN977196 162
- DAN977197 162
- DANM10HM301 833, 835
- DANM10HN300 833, 835
- DANM10HN301 835
- DANM10WJ227 126
- DANM16WHR50H-L 162
- DANM16WHR50H-R 162
- DANSR1CK510-2 833
- DANSR1CK511-2 833
- DANSR1DK100-4 835
- DANSR1HN305 835
- DANSR1HS100 833, 835
- DANSR1JA107-16L 835
- DANSR1JA107-16R 835
- DANSR1JA107-17L 835
- DANSR1JA107-17R 835
- DANSR1PS100 833
- DANSR1PS105 106, 835
- DANSR1VA-103-1 876
- DANSR1VA104 833
- DANSR1VA105 789, 835
- DAY03-120877-002 936
- DAY03-122126-002 936
- DAY03-122222-002 936
- DAY03-122607-002 935
- DAY03-123207-002 935
- DAY03-123406-002 936
- DAY04-15981-016 937
- DAY04-15981-017 937
- DAY08-205578 960
- DAY09-001910 962
- DAY09-001911 962
- DAY09-001989 963
- DAY09-002003 963
- DAY53-123535-002 936
- DAY53-123537-002 935
- DAY53-123544-002 936
- DAY53-123564-002 935
- DAY85-123382-002 935
- DAY85-123788-002 935
- DBR-CC01 228, 641
- DBR-GD02 228, 641
- DBR-UT01 228, 641
- DEC1-13 763
- DEC1-14 763
- DEC1-15 763
- DEC1-16 763
- DEC1-17 763
- DEC1-2 663
- DEC1-21 662
- DEC1-5 642, 662
- DIX48305 314
- DIX48365 314
- DIX48366 314
- DIX62273 315
- DIX62373 315
- DOR10-12 390
- DOR1-10 432
- DOR1-11 432
- DOR1-12 432
- DOR1-13 435
- DOR1-13B 435
- DOR1-14 435
- DOR1-15 435
- DOR1-17 434
- DOR1-2 432
- DOR1-4 432
- DOR1-5 432
- DOR1-6 432
- DOR1-6A 432
- DOR1-7 432
- DOR1-8 432
- DOR1-9 432
- DOR2-1 422
- DOR3-1 422, 424
- DOR3-10 422
- DOR3-12 422
- DOR3-13 422
- DOR3-17 422
- DOR3-20 422
- DOR3-31 422
- DOR5-8 422
- DOR6-10 422
- DOR6-13 422
- DOR6-16 422
- DOR99-4 431
- DORGSKTJBH 432
- DORMDRHBREEF 455
- DOT-GD01 432
- DOT-GD02 432
- DOT-GD03 432
- DOT-HY01 433
- DOT-HY06 433
- DOT-HY33 433
- DOT-TM02 433
- DOW12 686
- DOW200 686
- DOW620 686
- DRLBG-062 773
- DRLBG-078 773
- DRLBG-094 773
- DRLBG-109 773
- DRLBG-125 773
- DRLBG-141 773
- DRLBG-156 773
- DRLBG-172 773
- DRLBG-188 773
- DRLBG-194 773
- DRLBG-196 773
- DRLBG-203 773
- DRLBG-219 773
- DRLBG-234 773
- DRLBG-250 773
- DRLBG-257 773
- DRLBG-261 773
- DRLBG-266 773
- DRLBG-281 773
- DRLBG-297 773
- DRLBG-312 773
- DRLBG-328 773
- DRLBG-344 773
- DRLBG-359 773
- DRLBG-375 773
- DRLBG-391 773
- DRLBG-406 773
- DRLBG-422 773
- DRLBG-438 773
- DRLBG-453 773
- DRLBG-469 773
- DRLBG-500 773
- DRLBR-188 773
- DRLBR-203 773
- DRLBR-219 773
- DRLBR-250 773
- DRLBR-266 773
- DRLBR-281 773
- DRLBR-312 773
- DRLBR-375 773
- DRLSM-194 773
- DUA137 951
- DUADG6G 939, 941
- DUADG6PSI 940, 942
- DUADG7.5G 939, 941
- DUADGPG 939, 941
- DURO1110288 251
- DURO1P04162 251
- DUR21800124 174, 176
- DUR21800139 174
- DUR21800139A 175
- DUR21800139B 175
- DUR21800146 176
- DUR21800147 174
- DUR21800175 176
- DUR21800178 176
- DUR21800261 174, 175
- DUR21800262 174, 175
- DUR21800263 174, 175
- DUR21800318 175
- DUR21800319 175
- DUR21800320 175
- DUR21800321 175
- DUR21800325 175
- DUR21800381 175
- DUR21800382 175
- DUR21800922 175
- DUR530R0897 251
- DUR7524.23525 251
- DURASPLICE1-10 256
- DURASPLICE1-12 256
- DURASPLICE1-4 256
- DURASPLICE1-5 256
- DURASPLICE1-6 256
- DURASPLICE1-9 256
- E**
- EBH16437L 461
- EBH16437R13 461
- EBH1969-1 460, 463
- EBH1969-10 460, 462
- EBH1969-11 460, 462
- EBH1969-2 460, 461
- EBH1969-20 476
- EBH1969-22 476
- EBH1969-24 476
- EBH1969-35 461
- EBH1969-39 463
- EBH1969-4 463
- EBH1969-5 460, 462
- EBH1969-6 460, 461
- EBH1969-64 462
- EBH1969-7 460, 463
- EBH1969-8 460, 462
- EBH1969-9 460, 461
- EBH1971-21 476
- EBH1974-1 460, 463
- EBH1974-2X-13 460, 461
- EBH1977-35 461
- EBH1979-1 463
- EBH1979-10 462
- EBH1979-18 462
- EBH1979-19 462
- EBH1979-8 462
- EBH4-1974-2 461
- EBH9611 438

ELT10-10	631	FIRW01-358-9264	785	FLT022-01184	445
ELT10-11	631	FIRW01-358-9265	786	FLT022-01185	442
ELT1-10	631	FIRW01-358-9270	786	FLT022-01404	450
ELT1-17	631	FIRW01-358-9293	786	FLT022-01407	446
ELT1-23	631	FIRW01-358-9295	786	FLT023-00024	455
ELT1-3	631	FIRW01-358-9307	786	FLT023-00559	443
ELT1-35	631	FIRW01-358-9321	786	FLT023-00561	444
ELT1-36	631	FIRW01-358-9366	786	FLT023-00642	450
ELT1-43	631	FIRW01-358-9370	786	FLT023-00664	451
ELT1-5	631	FIRW01-358-9373	787	FLT023-00959	474
ELT19-20A	632	FIRW01-358-9375	787	FLT023-00966	474
ELT19-22A	632	FIRW01-358-9394	787, 817, 818	FLT023-01657	441
ELT19-24	632	FIRW01-358-9422	787	FLT024-02501	679
ELT19-26A	632	FIRW01-358-9580	787	FLT024-03040	421
ELT19-29	632	FIRW01-358-9616	787	FLT025-10001	420
ELT19-29A	632	FIRW01-358-9621	787	FLT025-10002	420
ELT19-4	632	FIRW01-358-9622	787	FLT025-10050	420
ELT19-8	632	FIRW01-358-9626	788	FLT025-10100	418
ELT2-1	631	FIRW01-358-9640	788	FLT025-10102	418
ELT2-10	631	FIRW01-358-9644	788	FLT025-10105	418
ELT2-21	631	FIRW01-358-9645	788	FLT025-10113	418
ELT2-3	631	FIRW01-358-9780	788	FLT025-10200	420
ELT2-30	631	FIRW01-358-9781	788	FLT025-10250	420
ELT2-31	631	FIRW01-358-9807	788	FLT025-10300	418
ELT2-33	631	FIRW01-358-9921	788	FLT025-10501	420
ELT2-4	631	FIRW01-358-9922	789	FLT025-10502	421
ELT3-18	632	FIRW01-358-9923	789	FLT025-10577	420
EPM05727	632	FIRW01-358-9935	789	FLT025-10578	421
EVR30GSKBU	332	FIRW01-358-9936	789	FLT025E10051	420
F		FIRW01-358-9974	789	FLT026-40306	418
FIRW01-358-1191	780	FIRW01-358-9978	789	FLT026-94355	418
FIRW01-358-5423	780	FIRW02-358-7036	798	FLT027-24200	418
FIRW01-358-6262	781	FIRW02-358-7206	798	FLT031-00125	673
FIRW01-358-6801	781	FIRW02-358-7215	798	FLT031-00235	667
FIRW01-358-6897	781	FIRWC1-358-1608	798	FLT031-00242	667
FIRW01-358-6905	781	FIRWC1-358-1691	799	FLT031-00400	666
FIRW01-358-7555	781	FIRWC1-358-1694	798	FLT031-00402	666
FIRW01-358-7795	781	FIT20-2	56	FLT031-00406	666
FIRW01-358-7897	781	FIT83687	191	FLT031-00823	667
FIRW01-358-8032	781	FIT8-8FBV	98	FLT031-00896	677
FIRW01-358-8033	782	FITFSP012-31001	56	FLT031-01070	666
FIRW01-358-8042	782	FLC2-V	665	FLT031-01250	667
FIRW01-358-8050	782	FL11715-11MM	667	FLT031-01520	665
FIRW01-358-8052	782	FLT011-00100	514	FLT032-00199	667
FIRW01-358-8091	782	FLT013-00073	508	FLT033-00051	676
FIRW01-358-8093	782	FLT013-00244	509	FLT033-00053	676
FIRW01-358-8197	782	FLT013-00440	505	FLT033-00075	678
FIRW01-358-8204	782	FLT013-00991	511	FLT033-00078	678
FIRW01-358-8617	783	FLT021-00043	438	FLT033-00079	678
FIRW01-358-8708	783	FLT021-00050	435	FLT033-00270	673
FIRW01-358-8709	783	FLT021-00051	435	FLT033-00430	667
FIRW01-358-8713	783	FLT021-00053	435	FLT033-00864	675
FIRW01-358-8729	783	FLT021-00312	474	FLT033-00868	673
FIRW01-358-8740	783	FLT021-00372	455	FLT033-04259	678
FIRW01-358-8753	783	FLT021-00373	455	FLT033-04263	678
FIRW01-358-8755	783	FLT022-00081	455	FLT033-04993	675
FIRW01-358-8774	784	FLT022-00487	455	FLT034-00426	673
FIRW01-358-8782	784	FLT022-00490	444	FLT034-00731	666
FIRW01-358-8813	784	FLT022-00522	455	FLT034-00732	666
FIRW01-358-8829	784	FLT022-00614	441	FLT034-01520	665
FIRW01-358-8852	784	FLT022-00628	438	FLT1-1W	418
FIRW01-358-8864	784	FLT022-00889	439	FLT1-4W	418
FIRW01-358-8944	784	FLT022-00990	455	FLT982-00046	320
FIRW01-358-9039	784	FLT022-01022	455	FLT982-00270	320
FIRW01-358-9069	785	FLT022-01035	441	FLT982-00274	319
FIRW01-358-9082	785	FLT022-01040	442	FLT982-00500	255
FIRW01-358-9101	785	FLT022-01046	307	FLT982-00502	255
FIRW01-358-9121	785	FLT022-01056	445	FLT982-00503	255
FIRW01-358-9122	785	FLT022-01086	444	FLT982-00510	255
FIRW01-358-9192	785	FLT022-01175	663	FLT992-01100	721
FIRW01-358-9243	785	FLT022-01180	663	FLT997-98015	453

FRUUXA0003 813, 815, 817
FRUUXA0004
 813, 815, 817, 818, 827
FRUUXA0004-901
 812, 813, 815, 817, 827
FRUUXA0011 811, 813, 814, 815
FRUUXA0011-900
 811, 812, 813, 814, 815, 818, 829
FRUUXA0015-2 813, 815, 817
FRUUXA0016
 811, 813, 814, 815, 818
FRUUXA0017 812, 813, 815, 827
FRUUXA0021 812
FRUUXA0026-1
 811, 812, 813, 814, 815, 818, 829
FRUUXA0034 812, 821
FRUUXA0034-900 812
FRUUXA0046-901 811, 927
FRUUXA0046-902 927
FRUUXA0046-915 811
FRUUXA0046-917 811, 927
FRUUXA0046-918 811, 927
FRUUXA0048 811, 812, 814, 828
FRUUXA0063 812, 821, 828
FRUUXA0065 812
FRUUXA0065-1 812
FRUUXA0160-SP1 816
FRUUXA0160-SPX 816, 827
FRUUXA0356-1
 811, 813, 814, 815, 818
FRUUXA0356-2 815, 817
FRUUYC5921-1 812, 830
FRUVKA1650 332
FRUVKA5927 332
FRUVKA6629 332
FRUVKA6750 332
FRUVKA9234 332
FRUVKA9867 332
FRUWCC8051-SPW 198
FRUWCE7812-1 453
FRUWCF1376-1 464, 465
FRUWCF3959-1 211
FRUWCF3981-1 450
FRUWCF5903-901 211
FRUWCF9003-2 211
FRUWCF9212-900 198
FRUWNE2548-3 207
FRUXCA0396
 819, 820, 822, 823, 824, 825, 826
FRUXCB9693-PK1 321
FRUXCF9657-1 228, 641
FRUXUB7259 227, 640
FRUZCE7064-2
 819, 820, 821, 822, 823, 824,
 825, 826
FRUZKA9836 332
FRUZKA9836-A 332
FUS2730 647
FUS720 647
FUS730 647
FUSATO10B 633
FUSATO15B 633
FUSATO20B 633
FUSATO25B 633
FUSATO30B 633
FUSMIN10B 633
FUSMIN15B 633
FUSMIN20B 633
FUSMIN30B 633

G
GAB646155 806
GAB83008 806
GAB83038 806
GAB83128 806
GAB85000 806
GAB85033 806
GAB85045 806
GAB85061 806
GAB85062 806
GAB85067 806
GAB85069 806
GAB85070 806
GAB85098 806
GAB85311 806
GAB85320 806
GAB85724 806
GAB85900 806
GAB85918 806
GAB85919 806
GAB85958 806
GAB89430 806
GDA034-15807-01824 191
GDA42800101 228, 641
GDA61303203 432
GDA61318700X1 10.00 433
GEO12004 256
GEO12006 256
GEO35101 744
GEO60700 247, 752
GEO70100 246, 753
GEO70200 246, 753
GEO70202 246, 753
GEO70800 246, 753
GLV101HK-L 768
GLV101HK-M 768
GLV101HK-XL 768
GLV103-L 769
GLV103-M 769
GLV103-XL 769
GLV1500-L 768
GLV1500-M 768
GLV1500-XL 768
GLV1775-L 768
GLV1775-M 768
GLV1775-S 768
GLV1775-XL 768
GLV820-L 768
GLV820-S 768
GLV820-XL 768
GLV90-L 769
GLV90-M 769
GLV90-S 769
GLV90-XL 769
GLV98-L 769
GLV98-M 769
GLV98-XL 769
GLV98-XXL 769
GRT01-4224-71 579
GRT01-6493-A7 573
GRT2102 531
GRT2103 531
GRT4002 565
GRT42110 578
GRT43050 578
GRT43163 592
GRT43253 592
GRT43362 578
GRT43390 579
GRT43411 665

GRT43690 578
GRT43760 579
GRT43780 579
GRT43850 579
GRT43901 663
GRT44240 634
GRT44360 634
GRT44530 633
GRT44540 633
GRT45262 529
GRT45263 529
GRT45822 539
GRT45823 539
GRT46792 528
GRT46793 528
GRT46802 532
GRT46803 532
GRT46832 532
GRT46833 532
GRT46862 532
GRT46863 532
GRT46872 532
GRT46873 532
GRT46902 531
GRT46903 531
GRT46922 531
GRT46933 531
GRT47072 532
GRT47073 532
GRT47112 539
GRT47113 539
GRT47122 543
GRT47123 543
GRT47162 532
GRT47163 532
GRT47232 543
GRT47233 543
GRT47242 531
GRT47243 531
GRT47462 531
GRT47463 531
GRT47962 539
GRT47963 539
GRT47972 530
GRT47973 530
GRT49252 531
GRT49253 531
GRT49332 547
GRT49333 547
GRT49362 547
GRT49363 547
GRT52063 529
GRT52512 558
GRT52513 558
GRT52533 558
GRT52562 561
GRT52563 561
GRT52772 565
GRT52773 565
GRT53062 533
GRT53063 533
GRT53102 565
GRT53103 565
GRT53252 565
GRT53253 565
GRT53272 565
GRT53292 565
GRT53293 565
GRT53302 565
GRT53312 565

GRT53493 527
 GRT53552 565
 GRT53962 561
 GRT53963 561
 GRT54003 532
 GRT54183 561
 GRT54203 561
 GRT54213 561
 GRT54233 561
 GRT54332 566
 GRT54362 566
 GRT54492 566
 GRT60001 555
 GRT60261 552
 GRT60271 573
 GRT60280 556
 GRT60291 552
 GRT60331 552
 GRT60381 556
 GRT60681 556
 GRT60721 977
 GRT62171 550
 GRT66160 620
 GRT66170 620
 GRT66200 620
 GRT66801 623
 GRT66815 623
 GRT66823 624
 GRT66830 623
 GRT66831 623
 GRT66841 623
 GRT66850 623
 GRT66851 623
 GRT66861 624
 GRT66870 625
 GRT66900 623
 GRT66904 623
 GRT66905 623
 GRT66910 624
 GRT66911 624
 GRT66930 624
 GRT66931 624
 GRT67000 624
 GRT67001 623
 GRT67002 623
 GRT67005 624
 GRT67050 623
 GRT67070 624
 GRT77353 573
 GRT78303 558
 GRT78313 558
 GRT78363 532
 GRT78453 531
 GRT82-2106 634
 GRT82-2111 635
 GRT83-2350 631
 GRT87141 610
 GRT87250 613
 GRT87590 610
 GRT87830 610
 GRT91400 594
 GRT91740 594
 GRT92420 594
 GRT92720 594
 GRT93351 663
 GRT97831 610
 GRT99510 618
 GRTG3002 539
 GRTG3003 539
 GUN3600AX 935
 GUN3800X 935

GUN3922X 935
 GUNAS1132 166
 GUNAS1133 166
 GUNAS1136 166
 GUNAS1140 166
 GUNAS1141 166
 GUNAS1144 166
 GUNAS1149 166
 GUNAS1150 166
 GUNAS1168 166
 GUNAS1172 166
 GUNAS1173 166
 GUNAS3000 127
 GUNAS3013 127
 GUNAS3018 127
 GUNAS3019 127
 GUNAS4004 127
 GUNAS4012 127
 GUNHT818RD 937
H
 HADH00450CE 96
 HADH00500C 893
 HADH01500UN 92, 893
 HADH01502UNC 92, 893
 HADH00500C 92
 HADH00500CA 92, 893
 HADHPB450-3 96
 HALA-100-VC-1 964
 HALA-100-VC-3 964
 HALDS-1 965
 HALGA-135 775
 HALGA-155S 775
 HALTV509 965
 HALTV545D 965
 HALTV-555D 965
 HALTV572 965
 HALTV573 965
 HDW1.13X12X12 188
 HDW1.13X12X24 188
 HDW1.13X12X48 188
 HDW1.13X12X52 188
 HDW1.25X12X12 188
 HDW1.25X12X24 188
 HDW1.25X12X48 188
 HDW1.25X12X48U 188
 HDW1.25X12X52 188
 HDW1.38X12X12 188
 HDW1.38X12X24 188
 HDW1.38X12X48 188
 HDW1.38X12X48U 188
 HDW1.38X12X52 188
 HDX400-10071 167
 HDX400-10141 167
 HDX400-10143 167
 HDX400-10144 167
 HDX400-10155 167
 HDX400-10211 167
 HDX400-10212 167
 HDX400-10213 167
 HDX400-10238 167
 HDX400-10305 167
 HDX400-20211 167
 HDX400-20212 167
 HDX400-20241 167
 HDX427-10553 171
 HDX427-10558 171
 HDX427-10563 171
 HDX427-10565 171
 HDX443-10204 171
 HDX443-10290 171
 HDX452-10125 171

HDX452-10128 127
 HDXAL95694 23
 HDXAQ960510 18
 HDXAQ960514 18
 HDXAQ961402 16
 HDXCB30 126
 HDXCF1 127
 HDXCF3 127
 HDXCP1 127
 HDXGC3030 125
 HDXGC3030L 125
 HDXGC3030LCW 125
 HDXGP3030 123
 HDXGP3030K 123
 HDXL60063 762
 HDXLCP3030 125
 HDXLCP3030S5CW 125
 HDXRTP1 129
 HDXSC30L 123
 HEB431402-12 56
 HEB431408 56
 HEBSTD1238-27 70
 HENA-1631-19
 837, 843, 851, 853, 855, 857,
 859, 861, 863, 865, 867
 HENA-22367 849, 869
 HENA-24966 865
 HENA-29557 869
 HENA-5431 861, 865
 HENAK-147-1 98
 HENAK-53 106
 HENAKAD2010-1 108
 HENAKEM0005-1 95, 835
 HENAKH-134-3 92
 HENAKH-244B 92
 HENAMBOX.## 869
 HENAMBOX.1089 871
 HENAMBOX.127 871
 HENAMBOX.22 871
 HENAMBOX.884 871
 HENAMBOX.90 871
 HENAMBOX.98 871
 HENB-21145 837, 843, 867
 HENB-21211 859
 HENB-21505 872
 HENB-21715 837, 843, 867
 HENB-22000 844
 HENB-22390 837, 843, 867
 HENB-22510-1
 837, 840, 843, 845, 867
 HENB-22510-2
 837, 840, 843, 844, 845, 846,
 867
 HENB-22510-3
 837, 838, 839, 840, 843, 845,
 867
 HENB-22510-4
 837, 838, 845, 867
 HENB-24812 843
 HENB-26597 874
 HENB-27264 843
 HENB-28930 844, 874
 HENB-30021-1 838
 HENB-30021-2 838
 HENB-30591 838
 HENB-32500 869, 874
 HENC-20011-1 851, 855
 HENC-20011-2 851, 855
 HENC-20012-1 851, 855
 HENC-20012-2 851, 855
 HENC-20013-1 851, 855

- HENC-20013-2** 851, 855
- HENC-20014-1** 851, 855
- HENC-20014-2** 851, 855
- HENC-20015-1** 855
- HENC-20015-2** 855
- HENC-20016-1** 851, 853, 855
- HENC-20016-2** 851, 853, 855
- HENC-20016-3** 851, 855
- HENC-20016-5** 853
- HENC-20040-1** 855
- HENC-20040-2** 855
- HENC-20041-1** 855
- HENC-20041-2** 855
- HENC-20042-1** 855
- HENC-20042-2** 855
- HENC-20188-3** 863
- HENC-20188-4** 863
- HENC-20191-1** 863
- HENC-20191-2** 863
- HENC-20191-3** 863
- HENC-20191-4** 863
- HENC-20192** 843, 863
- HENC-20193** 863
- HENC-20195-3** 863
- HENC-20195-4** 863
- HENC-20199-1** 863
- HENC-20199-2** 863
- HENC-20401-1** 855
- HENC-20401-2** 855
- HENC-21195-1** 855
- HENC-21195-2** 855
- HENC-21210-1** 861
- HENC-21210-3** 857, 861
- HENC-21210-4** 857
- HENC-21210-5** 857, 861
- HENC-21210-6** 857
- HENC-21212-1** 857
- HENC-21212-2** 857
- HENC-21213-1** 857
- HENC-21213-2** 857
- HENC-21214-1** 857
- HENC-21214-2** 857
- HENC-21215-1** 861
- HENC-21215-3** 861
- HENC-21215-5** 861
- HENC-21216-1** 857
- HENC-21216-2** 857
- HENC-21217-1** 857
- HENC-21217-2** 857
- HENC-21218-1** 857
- HENC-21218-2** 857
- HENC-21219-1** 857
- HENC-21219-2** 857
- HENC-21220-1** 857
- HENC-21220-2** 857
- HENC-21221-1** 857
- HENC-21221-2** 857
- HENC-21222-1** 857
- HENC-21222-2** 857
- HENC-21223-1** 857
- HENC-21223-2** 857
- HENC-21405-1** 855
- HENC-21405-2** 855
- HENC-21453-1** 863
- HENC-21453-2** 863
- HENC-21797-1** 863, 865
- HENC-21797-2** 863, 865
- HENC-22302-2** 843
- HENC-22302-3** 843
- HENC-22302-4** 843
- HENC-22302-5** 843
- HENC-22302-6** 843
- HENC-23086-1** 809
- HENC-24041-1** 810
- HENC-24041-3** 810
- HENC-24496-1** 863
- HENC-24496-2** 863
- HENC-25932-1** 857
- HENC-25932-2** 857
- HENC-27375** 838
- HEND-21803-1** 849
- HEND-21803-2** 849
- HEND-21807-1** 847, 848
- HEND-21807-2** 847, 848
- HEND-22386-1** 849
- HEND-22386-2** 849
- HEND-26067-1L** 844, 846
- HEND-26067-1R** 844, 846
- HEND-26067-2L** 844
- HEND-26067-2R** 844
- HEND-27049-2** 843
- HEND-27049-5** 838
- HEND-27049-8** 843
- HEND-27049-9** 843
- HEND-28397** 839
- HENHAC-SSI** 108
- HENHTRAAH.5080** 113
- HENR-005079** 789
- HENR-009600** 805
- HENS-13122** 859
- HENS-13136** 871
- HENS-14108** 850, 873
- HENS-14187** 96, 835
- HENS-14190-1** 855, 857, 863
- HENS-14190-2** 853, 855, 857, 863
- HENS-14231-8** 872
- HENS-14249** 859
- HENS-14342-1** 850
- HENS-14342-3** 846, 847, 848, 849, 869, 874
- HENS-14959-1** 853
- HENS-14959-2** 853
- HENS-1667** 859
- HENS-1981-2** 859, 865
- HENS-20000-1** 849, 850, 851, 855
- HENS-20000-2** 849, 850, 851, 855
- HENS-20001** 805, 850, 851, 853
- HENS-20002** 805, 850, 853, 855, 859
- HENS-20010** 790, 850, 855, 861
- HENS-20023** 810, 855, 857, 859
- HENS-20031-2** 809, 843, 849, 850, 851, 855, 857, 863
- HENS-20033-2** 850, 851, 853, 855, 857, 859, 861
- HENS-20047-1** 855
- HENS-20047-2** 855
- HENS-20048-1** 855
- HENS-20048-2** 855
- HENS-20064-1** 851, 855, 857
- HENS-20064-2** 851, 853, 855, 857
- HENS-20065-1** 851, 855, 857, 863
- HENS-20065-2** 851, 853, 855, 857, 863
- HENS-20069** 809, 849, 850, 851, 855, 857, 863
- HENS-20113** 853, 859
- HENS-20124** 790, 857, 859, 861
- HENS-20126** 855, 859, 863, 865
- HENS-20127** 790, 857, 859, 861
- HENS-20149-1** 855
- HENS-20149-2** 855
- HENS-20186-1** 863
- HENS-20186-2** 863
- HENS-20196-1** 863
- HENS-20196-2** 863
- HENS-20197-1** 863
- HENS-20197-2** 863
- HENS-20200-1** 853
- HENS-20200-2** 853
- HENS-20211** 853
- HENS-20216** 853
- HENS-20217** 790, 853
- HENS-20218-2** 851, 853, 855, 863
- HENS-20223** 790, 850, 851, 861
- HENS-20252-1** 865
- HENS-20252-2** 865
- HENS-20268-1** 865
- HENS-20268-2** 865
- HENS-20269-1** 865
- HENS-20269-2** 865
- HENS-20270-1** 865
- HENS-20270-2** 865
- HENS-20271-1** 865
- HENS-20271-2** 865
- HENS-20286-1** 863
- HENS-20286-2** 863
- HENS-20321-1** 859
- HENS-20321-2** 859
- HENS-20322-1** 859
- HENS-20322-2** 859
- HENS-20323-1** 859
- HENS-20323-2** 859
- HENS-20324-1** 859
- HENS-20324-2** 859
- HENS-20335-1** 859
- HENS-20335-2** 859
- HENS-20338-3** 859
- HENS-20338-4** 859
- HENS-20357-1** 859
- HENS-20357-2** 859
- HENS-20414** 859, 861
- HENS-20475-2** 837, 867
- HENS-20492-2** 837, 867
- HENS-20602-1** 857
- HENS-20602-2** 857
- HENS-20701** 853, 861
- HENS-20716** 859, 861
- HENS-20717-1** 859
- HENS-20717-2** 859
- HENS-20896-2** 843
- HENS-20901** 790, 840, 843, 848
- HENS-20905** 838, 839, 840, 843
- HENS-20914-1** 865
- HENS-20914-2** 865
- HENS-20924** 837, 838, 839, 840, 843, 844, 846, 847, 848, 849, 850, 851, 853, 855, 857, 859, 861, 863, 865, 867, 869, 875

- HENS-20925**
837, 838, 839, 840, 843, 844,
846, 847, 848, 849, 850, 851,
853, 855, 857, 859, 861, 863,
865, 867, 869, 875
- HENS-21028-1** 843, 871
- HENS-21028-2** 843, 871
- HENS-21028-3** 843
- HENS-21028-4** 843
- HENS-21082-1** 843, 871
- HENS-21082-2** 843, 871
- HENS-21082-3** 843
- HENS-21082-4** 843
- HENS-21083-1** 843
- HENS-21083-2** 843
- HENS-21099**
833, 835, 837, 843, 844, 846,
847, 848, 849, 850, 853, 855,
857, 859, 861, 863, 865, 867, 872
- HENS-21122-1** 863
- HENS-21122-2** 863
- HENS-21123-1** 863
- HENS-21123-2** 863
- HENS-21140** 849, 850, 927
- HENS-21140-4**
851, 853, 855, 857, 861, 863, 927
- HENS-21150-1** 863
- HENS-21150-2** 863
- HENS-21165-1** 851, 855, 857
- HENS-21165-2** 851, 855, 857
- HENS-21179-1**
851, 855, 857, 871
- HENS-21179-2**
851, 855, 857, 871
- HENS-21179-3** 855, 857
- HENS-21179-4** 855, 857
- HENS-21184-1** 837, 867
- HENS-21193-1** 855, 857
- HENS-21193-2** 855, 857
- HENS-21208** 855
- HENS-21209** 798, 859, 861
- HENS-21266-1** 837, 867
- HENS-21291-1** 849
- HENS-21291-2** 849
- HENS-21292** 805, 849
- HENS-21307** 778
- HENS-21315** 874
- HENS-21337** 701
- HENS-21380-1** 865
- HENS-21380-2** 865
- HENS-21454-1** 863
- HENS-21454-2** 863
- HENS-21477-8** 872
- HENS-21497-1** 849
- HENS-21497-2** 849
- HENS-21553** 855, 859, 863
- HENS-2157-2**
809, 853, 855, 859, 861, 863, 865
- HENS-21590-1**
851, 855, 857, 871
- HENS-21590-2**
851, 853, 855, 857, 871
- HENS-21592-1**
851, 855, 857, 863
- HENS-21592-2**
851, 853, 855, 857, 863
- HENS-2160** 855, 859, 863
- HENS-21626-1** 843
- HENS-21626-2** 843
- HENS-21688-1** 859
- HENS-21688-2** 859
- HENS-21699** 855, 863, 865
- HENS-21736-1** 849, 850, 855
- HENS-21736-2** 849, 850, 855
- HENS-21786** 843, 874
- HENS-21800** 790, 840, 843, 847
- HENS-21905-1** 843
- HENS-21905-2** 843
- HENS-21906-1** 843
- HENS-21906-2** 843
- HENS-21926-1** 859
- HENS-21926-2** 859
- HENS-21927-1** 859
- HENS-21927-2** 859
- HENS-22045** 790, 849
- HENS-22046** 849
- HENS-2212**
805, 837, 853, 855, 857, 859, 867
- HENS-22173** 865
- HENS-22366** 850, 873
- HENS-22420-1** 855
- HENS-22420-2** 855
- HENS-22510-1** 799, 847, 848
- HENS-22510-2**
799, 847, 848, 849
- HENS-22510-3**
799, 847, 848, 849
- HENS-22510-4**
799, 847, 848, 849
- HENS-22511-1** 865
- HENS-22511-2** 865
- HENS-22580** 853
- HENS-22581-1** 859
- HENS-22581-2** 859
- HENS-22619-2**
797, 837, 839, 840, 843, 845,
847, 848, 867, 869
- HENS-22630-2**
797, 839, 840, 843, 845, 847,
848, 867
- HENS-22631-2**
797, 837, 840, 843, 844, 845,
846, 847, 848, 867
- HENS-22632-2**
797, 837, 839, 840, 843, 845,
847, 848, 867
- HENS-22634-1** 859
- HENS-22634-2** 859
- HENS-22635-2**
797, 837, 845, 847, 848, 867
- HENS-22663-1** 859
- HENS-22663-2** 859
- HENS-22770-1** 843
- HENS-22770-2** 843
- HENS-22777-1** 865
- HENS-22777-2** 865
- HENS-22778-1** 865
- HENS-22778-2** 865
- HENS-22779-1** 865
- HENS-22779-2** 865
- HENS-22826-1** 861
- HENS-22826-2** 861
- HENS-22826-3** 861
- HENS-22826-4** 861
- HENS-22827-1** 861
- HENS-22827-2** 861
- HENS-22827-3** 861
- HENS-22827-4** 861
- HENS-22828-1** 861
- HENS-22828-2** 861
- HENS-22828-3** 861
- HENS-22828-4** 861
- HENS-22829-1** 861
- HENS-22829-2** 861
- HENS-22829-3** 861
- HENS-22829-4** 861
- HENS-22872-1** 843
- HENS-22872-2** 843
- HENS-22894-4** 853, 861, 927
- HENS-22907-2** 840, 849
- HENS-22908-2** 797, 849
- HENS-22909-2** 797, 849
- HENS-22910-2** 797, 849
- HENS-22948** 791, 845, 847
- HENS-23000-1** 843
- HENS-23000-2** 843
- HENS-23114** 791
- HENS-23166-1** 861
- HENS-23166-2** 861
- HENS-23265-1** 853
- HENS-23294**
798, 838, 839, 843, 844, 846
- HENS-23316** 805, 837, 839, 867
- HENS-23361** 840, 843
- HENS-23408-1** 865
- HENS-23408-2** 865
- HENS-23461-1** 857, 863
- HENS-23461-2** 853, 857, 863
- HENS-23548** 805, 861
- HENS-23566** 805, 837, 839,
840, 843, 844, 846, 847, 867
- HENS-23611** 791, 837, 838, 867
- HENS-23612** 791, 837, 838, 867
- HENS-23613**
791, 837, 838, 844, 846, 867
- HENS-23614**
791, 837, 838, 846, 867
- HENS-23649** 805, 853, 861
- HENS-23650** 805, 861
- HENS-23651** 805, 833, 835,
837, 838, 839, 840, 861, 867
- HENS-23720** 791, 837, 838, 867
- HENS-23721**
791, 837, 838, 839, 867
- HENS-23743** 840, 861
- HENS-23744** 805, 861
- HENS-23750-1** 837, 867
- HENS-23750-3** 837, 867
- HENS-23751-1** 837, 867
- HENS-23751-3** 837, 867
- HENS-23753-1** 837, 867
- HENS-23753-3** 837, 867
- HENS-23754-1** 837, 867
- HENS-23754-3** 837, 867
- HENS-23790-1** 863
- HENS-23790-2** 863
- HENS-23848-1** 861
- HENS-23848-2** 861
- HENS-23859-1** 859
- HENS-23859-2** 859
- HENS-23860-3** 859
- HENS-23860-4** 859
- HENS-23974** 151
- HENS-24021** 810, 843
- HENS-24023**
805, 839, 840, 848
- HENS-24024** 861
- HENS-24049-2**
810, 840, 847, 848, 869
- HENS-24088** 805
- HENS-24186-1** 861

- HENS-24186-2 861
- HENS-24303 778
- HENS-24445 792
- HENS-24459 844, 845, 846, 847, 848, 849, 869, 873
- HENS-24460 844, 845, 846, 847, 848, 849, 869, 873
- HENS-24579 838, 839, 840, 861, 863
- HENS-24635-1 863
- HENS-24635-2 863
- HENS-24636-1L 147
- HENS-24636-1R 147
- HENS-24679 837, 843, 844, 846, 847, 848, 849, 850, 851, 853, 855, 857, 859, 861, 863, 865, 867, 875
- HENS-24680 843, 874
- HENS-24691 837, 843, 844, 846, 847, 848, 849, 850, 851, 853, 855, 857, 859, 861, 863, 865, 867, 872
- HENS-24697 126
- HENS-24705 838, 839, 840, 869, 875
- HENS-24736 778
- HENS-24757-2 837, 844, 846, 867
- HENS-24851-1 843
- HENS-24851-2 843
- HENS-24875 874
- HENS-25461-1 863
- HENS-25461-2 863
- HENS-25462-1 863
- HENS-25462-2 863
- HENS-25515 805, 838, 839
- HENS-25593 876
- HENS-25618-1 863
- HENS-25618-2 863
- HENS-25872 792
- HENS-25873 792
- HENS-2592 810, 853, 865
- HENS-26150-1L 839
- HENS-26150-1R 839
- HENS-26154-2 839
- HENS-26321 838, 839, 840, 869, 872
- HENS-26369 843, 861
- HENS-26773 792, 840, 843
- HENS-26807 799, 838, 839, 840, 869
- HENS-26874-1L 839
- HENS-26874-1R 839
- HENS-26874-2L 839
- HENS-26874-2R 839
- HENS-27042 845
- HENS-27067-5L 839
- HENS-27067-5R 839
- HENS-27117 837, 867
- HENS-27196 840, 843, 847, 869
- HENS-2723 855, 861, 863
- HENS-27330 838, 839
- HENS-27447-1 869, 876
- HENS-27614-1 855
- HENS-27614-2 855
- HENS-2770 850, 851, 853, 855, 857, 859, 863, 865, 875
- HENS-28061-1 844
- HENS-28061-2 844, 869, 875
- HENS-28062-1 844
- HENS-28062-2 844, 869, 875
- HENS-28193 75
- HENS-28289 844, 846, 873
- HENS-28290 844, 846, 873
- HENS-28500-1650 115
- HENS-28500-1657 115
- HENS-28501-500 115
- HENS-28501-575 115
- HENS-28570-4357 122
- HENS-28622 75
- HENS-28654 843
- HENS-28890 152
- HENS-28929 792, 845
- HENS-29042 876
- HENS-29199-2 838
- HENS-29802-1L 845
- HENS-29802-1R 845
- HENS-29822 838
- HENS-29885 833, 835
- HENS-29886 833, 835, 872
- HENS-29892 792, 835
- HENS-29897 875
- HENS-29899 835
- HENS-30720 838
- HENS-31962-3 137
- HENS-31964 152
- HENS-32097 950
- HENS-32194-2L 871
- HENS-32194-2R 871
- HENS-32195-2L 847, 848
- HENS-32195-2R 847, 848
- HENS-32195-3L 847, 848
- HENS-32195-3R 847, 848
- HENS-32388 869, 873
- HENS-32389 869, 873
- HENS-33173-2L 846
- HENS-33173-2R 846
- HENS-33649-5 122
- HENS-34421-L 119
- HENS-34421-R 119
- HENS-34446-L 119
- HENS-34446-R 119
- HENS-34446-U 119
- HENS-34733 792, 869
- HENS-35021 869
- HENS-35294-2 869
- HENS-35295-2 869
- HENS-35303-1 120
- HENS-35303-4 122
- HENS-35303-7 121
- HENS-35303-8 121
- HENS-35303-9 121
- HENS-35720-4415 122
- HENS-36186-8 876
- HENS-3646 850, 851, 853, 855, 857, 859, 863, 865, 875
- HENS-3650-4 859, 865, 927
- HENS-3830 865
- HENS-4771 863
- HENS-4903-2 843, 859, 863
- HENS-6914 850, 851, 853, 855, 857, 859, 863, 865, 872
- HENSA-1500-2 869
- HENSA-5200-8 126, 869
- HENSA-6900-2 839, 844, 846, 847, 848, 849, 869
- HENSA-7000-1 839
- HENSA-7000-4 833, 835
- HENS-SR1CK511-1 833
- HENS-SR1WJ100 835
- HENUBL-001 876
- HENVS-1128 104
- HENVS-14179 99
- HENVS-1968 106
- HENVS-22477 876
- HENVS-22535 98
- HENVS-227 92
- HENVS-228 92
- HENVS-23460 95
- HENVS-23588 103
- HENVS-24797 106
- HENVS-25223 99, 844, 869
- HENVS-25224 83, 844, 869
- HENVS-26816 103
- HENVS-27116 93
- HENVS-27890 75
- HENVS-29003-1 75
- HENVS-29004-1 75
- HENVS-29004-2 75
- HENVS-29094-1 75
- HENVS-29854 75
- HENVS-30002 75
- HENVS-30270 77
- HENVS-30428 99
- HENVS-31503-1 76
- HENVS-31503-2 76
- HENVS-31503-3 76
- HENVS-31504-1 76
- HENVS-31504-2 76
- HENVS-32055-1 940, 942
- HENVS-32056-1 940, 942
- HENVS-32056-3 939, 942
- HENVS-32070-1 940, 942
- HENVS-32070-3 939, 942
- HENVS-32074-100 77
- HENVS-32074-105 77
- HENVS-32087-1 77
- HENVS-33767-1 76
- HENVS-33767-5 76
- HENVS-33769-1 76
- HENVS-34953 77
- HLD-TM01 456
- HLD-TM02 436
- HLD-UT01 436
- HOL03057008500 120
- HOL03434381600 122
- HOL04454109864 119
- HOL04454115860 119
- HOL1200101 340, 341, 343
- HOL1200706 340, 341, 342, 343, 344, 345
- HOL201205 489
- HOL2022100000190 493
- HOL2034160000150 493
- HOL2034200000170 493
- HOL2040100000050 491, 493
- HOL2040100000060 491, 493
- HOL2073190000100 122
- HOL2111100000430 493
- HOL2111100000440 493
- HOL2111100000450 493
- HOL2111100000460 493
- HOL2111100000480 493
- HOL2111100000490 493
- HOL2111100000500 493
- HOL2111100000510 493
- HOL2111100000530 493
- HOL2111100004080 485, 487, 489, 491
- HOL4000250 344, 345

- HOL4000501**
342, 344, 345, 346
- HOL4000502**
342, 344, 345, 346
- HOL4000504**
342, 343, 344, 346
- HOL4000507** 344, 348
- HOL4000509** 342
- HOL4000528** 343
- HOL4000531** 343
- HOL4000570** 344
- HOL4000572** 342
- HOL4000587** 343
- HOL4000640** 343
- HOL4000644** 343, 346
- HOL4000647** 343
- HOL4100155** 344, 345
- HOL4100294** 342, 343, 344
- HOL4100328**
342, 343, 344, 345
- HOL4100329** 342, 344, 345
- HOL4100332** 344
- HOL4100339** 342, 344
- HOL4100342** 342
- HOL4100373**
340, 341, 343, 344, 345
- HOL4100374** 342
- HOL4100376** 342, 344
- HOL4100382** 345
- HOL4100420** 343, 344
- HOL4100423** 343
- HOL4100428** 342
- HOL4100441** 342
- HOL4100712** 342
- HOL4101250** 344, 345
- HOL4109808** 342
- HOL4109916** 342, 344, 345
- HOL4109922-P** 343
- HOL4109931** 340, 341, 342,
343, 344, 345
- HOL4109940** 342
- HOL4109977** 344
- HOL48100225** 96
- HOL48100225** 901
- HOL48100396** 899
- HOL50616000** 483, 485, 491
- HOL50616007** 483, 485, 491
- HOL50616009** 493
- HOL508-60-013** 93
- HOL508-60-015** 93
- HOL508-60-016** 93
- HOL50866038** 125
- HOL51830001** 152
- HOL51830024** 152
- HOL5400705**
342, 343, 344, 345
- HOL5400711**
342, 343, 344, 345
- HOL5400766** 342
- HOL64710525090** 905
- HOL64710565090** 905
- HOL716059** 509
- HOL84261** 340, 341, 342, 343,
344, 345
- HOL84787** 342, 343, 344
- HOL90015150** 903, 911
- HOL9003424** 905
- HOL900-36-274** 799
- HOL90045590** 912
- HOL905-48-023** 912
- HOL90557372** 905
- HOL93006035** 899, 905
- HOL93400623** 899, 905
- HOL9900169** 342, 344, 345
- HOL9900170**
340, 341, 342, 343, 344, 345
- HOL9900181** 340, 341, 342,
343, 344, 345
- HOL9900182** 343
- HOLCRP-V-06634** 495
- HOLDB-1400** 356
- HOLDUE984V80000N00** 906
- HOLDWH98E480000N00** 906
- HOLJS-300-J** 522
- HOLKP-AAR-5-C** 352
- HOLKP-AAR-5-E** 352
- HOLKP-T-809-BF** 352
- HOLKP-T-809-CF** 352
- HOLKP-T-809-EF** 352
- HOLKP-T-809-F** 352
- HOLLG0055-01** 479, 493
- HOLLG0056-02** 493
- HOLLG0659-10** 491, 493
- HOLLG1823-02** 489, 491, 493
- HOLLG2197** 487
- HOLLG2884** 489, 491, 493
- HOLLG2926** 489, 491
- HOLLG2963-01** 491
- HOLLG2963-04** 491
- HOLLG2964-01** 491
- HOLLG2964-02** 491
- HOLLG2964-03** 491
- HOLLG2964-04** 491
- HOLLG2975** 491, 493
- HOLLG2980** 491, 493
- HOLLG2996** 491, 493
- HOLLG3005** 493
- HOLLG3011-01** 491, 493
- HOLLG3011-02** 491, 493
- HOLLG3011-03** 491, 493
- HOLLGS-3A001** 497
- HOLLGS-3A105** 497
- HOLLGS-5A105** 497
- HOLNH1Q12131N000Y0** 901
- HOLNH1Q12141N000Y0** 901
- HOLPH-10RP41** 358
- HOLPH-210RN11** 358
- HOLPH-30RP41** 358
- HOLPH-400** 358
- HOLPH-T-60-AOL-8** 358
- HOLPK-FAST-10** 349
- HOLRK-06973-1** 348
- HOLRK-10605** 349
- HOLRK-10990** 340, 341
- HOLRK-10999** 340, 341
- HOLRK-11284** 483
- HOLRK-11285** 483
- HOLRK-11286** 495
- HOLRK-11287** 495
- HOLRK-11288** 485
- HOLRK-11289** 485
- HOLRK-11290** 481
- HOLRK-11291** 481
- HOLRK-11442** 491
- HOLRK-11443** 491
- HOLRK-11488** 489
- HOLRK-11489** 489
- HOLRK-11683** 493
- HOLRK-2500-10** 349
- HOLRK-331-1** 348
- HOLRK-351-03505** 347
- HOLRK-351-03505-3** 347
- HOLRK-351-09967** 348
- HOLRK-351-A-28-L** 347
- HOLRK-351-A-L** 347
- HOLRK-4109939** 340
- HOLRK-FWS-A-L** 340, 341
- HOLRK-PKT-2** 340, 341
- HOLRK-V-07602-1** 495
- HOLRK-V-07602-2** 495
- HOLRK-V-07780** 495
- HOLRK-V-07781** 495
- HOLSL0A1261** 903
- HOLTF-0110** 353, 775
- HOLXA-02608** 358
- HOLXA-10969** 340, 341, 343
- HOLXA-10971** 340, 341
- HOLXA-10990** 340, 341
- HOLXA-10999** 340, 341
- HOLXA-1706** 349
- HOLXA-351-A-L-P** 346
- HOLXA-4109939**
340, 341, 342, 343, 344
- HOLXA-CRP-V-06633** 495
- HOLXA-CRP-V-06635**
485, 487, 489, 491, 493, 495
- HOLXA-HV-796** 495
- HOLXA-S8-3A001** 497
- HOLXA-S8-3A105** 497
- HOLXA-S8-5A105** 497
- HOLXA-S9-3A001** 497
- HOLXA-S9-3A105** 497
- HOLXA-S9-5A105** 497
- HOLXA-V-06602** 495
- HOLXA-V-06611** 495
- HOLXA-V-06618** 495
- HOLXA-V-06623-A** 495
- HOLXA-V-06623-C** 495
- HOLXA-V-06623-D** 495
- HOLXA-V-06623-F** 495
- HOLXA-V-06624-C** 495
- HOLXA-V-06624-D** 495
- HOLXA-V-06624-F** 495
- HOLXA-V-06625-A** 495
- HOLXA-V-06625-B** 495
- HOLXA-V-06625-C** 495
- HOLXA-V-06625-F** 495
- HOLXA-V-06629** 495
- HOLXA-V-07085** 495
- HOLXA-V-07601-1** 495
- HOLXA-V-07601-2** 495
- HOLXA-V-1901-1** 495
- HOLXA-V-1903-1** 495
- HOLXA-V-1916** 495
- HOLXA-V-1916-1** 495
- HOLXA-V-1938** 495
- HOLXA-V-630-2** 495
- HOLXA-V-796-RCF** 495, 508
- HOLXA-V-796-WS** 495
- HOLXA-V-90-0** 505
- HOLXA-V-90-10** 505
- HOLXA-V-90-12** 505
- HOLXA-V-90-13** 505
- HOLXA-V-90-4** 505
- HOLXA-V-90-6** 505
- HOLXA-V-971** 495
- HOLXB-0011-2** 349
- HOLXB-02312** 349
- HOLXB-06179-2** 495
- HOLXB-06372** 495
- HOLXB-07618** 495

- HOLXB-10605 350
- HOLXB-10996 340, 341
- HOLXB-11091 340, 341
- HOLXB-11127 340, 341, 343
- HOLXB-1127 350
- HOLXB21-S-218-1500 495
- HOLXB-21-S-375-300 495
- HOLXB-3103 495
- HOLXB-338 495
- HOLXB-767 495
- HOLXB-767-L 495
- HOLXB-C-95 340, 341, 343
- HOLXB-GP-38-138-5 495
- HOLXB-GRF-022-16 483, 485, 487, 489, 491, 493
- HOLXB-HHB-050-70 483, 487, 491
- HOLXB-HHC-050-114 495
- HOLXB-HHC-050-69 481, 483, 485, 487, 489, 491, 493
- HOLXB-HNH-34-F 721
- HOLXB-LG0089 506
- HOLXB-LG-0559 495
- HOLXB-LG0931 487
- HOLXB-LG-1570 495
- HOLXB-PW-016-13 481
- HOLXB-PW-016-62 481, 483, 485, 487, 489, 491, 493
- HOLXB-PW-016-85 903
- HOLXB-SL0646-42 904
- HOLXB-SLN-012-04 481, 483, 485, 487, 489, 491, 493
- HOLXB-SLOA1054 911
- HOLXB-SP0050-71 903
- HOLXB-SP0145 903
- HOLXB-SPG-020-35 903
- HOLXB-STS-008-16 903, 904
- HOLXB-T-199 340, 341, 343
- HOLXB-T-49 340, 341
- HOLXB-T-69-A 340, 341, 343
- HOLXB-V-06621 495
- HOLXB-V-06630 495
- HOLXB-V-06632 495
- HOLXB-V-07054 495
- HOLXB-V-1915 495
- HOLXB-V-444-4 495
- HOLXB-V-647 495
- HOLXB-V-647-1 495
- HOLXD-11121 340, 341
- HOLXD5275 830
- HOLXE-06356 340, 341
- HOS1068 37
- HOS1200 34
- HOS1205 34
- HOS1207 35
- HOS12105 35
- HOS1217 35
- HOS1219 34
- HOS1229 34
- HOS1231 34
- HOS1242 34
- HOS1249 35
- HOS1254 35
- HOS1260 35
- HOS1274 35
- HOS1277 35
- HOS8000 30
- HOS8000B 30
- HOS8001 31
- HOS8007 31
- HOS8014 30
- HOS80171 30
- HOS8022 31
- HOS8047 30
- HOS8052 30
- HOS8068 30
- HOS9500 31
- HOS9501 32
- HOS9506 33
- HOS9507 32
- HOS9508 31
- HOS95129 32
- HOS9515 31
- HOS95155 32
- HOS95161 31
- HOS95162 33
- HOS9522 32
- HOS95239 32
- HOS9528 33
- HOS9531 34
- HOS95314 34
- HOS9534 33
- HOS9537 33
- HOS9542 32
- HOS9553 33
- HOS9575 33
- HOS9577 33
- HTRAAX.### 869
- HUKHBMGCF12 725
- HUKHBMGCR12U 725
- HUKMGC-R6U 725
- HUKMGC-R8U 725
- HUKMGL100-R8-8 725
- HUKMGL100-U8-8 725
- HUKMGLP-B6-4 427
- HUKMGLPB810 725
- HUKMGLP-B8-E 725
- HUKMGLPR64 725
- HUKMGLPR67 725
- HUKMGLPU810 725
- HUKMGPB-R8-10G 722
- HUT10060-01 879, 927
- HUT10273-00 879, 981, 982
- HUT10287-01 884
- HUT10376-00 879
- HUT10476-03 879
- HUT10488-00 879
- HUT10562-00 879
- HUT105627220071902 881
- HUT10608-00 879
- HUT11154-00 884
- HUT11202-00 981
- HUT11409-01 878, 887, 983
- HUT11410-00 877
- HUT11410-02 980
- HUT11411-00 884
- HUT11412-02 980
- HUT11412-03 980
- HUT11412-05 877, 980
- HUT11412-08 877, 980
- HUT11412-16 887, 901, 980
- HUT11412-20 981
- HUT11412-21 981
- HUT11412-24 981
- HUT11412-25 981
- HUT11412-35 878
- HUT11412-36 878, 887
- HUT11412-40 981
- HUT11414-00 980
- HUT11420-00 877
- HUT11421-01 877, 878, 888
- HUT11479 878
- HUT11512-05 981, 982
- HUT11513-03 879, 981, 982
- HUT11641-02 980
- HUT11641-04 980
- HUT11641-05 980
- HUT11641-06 980
- HUT11641-07 980
- HUT11641-10 980
- HUT11642-07 890
- HUT11642-10 890, 983
- HUT11659-03 889
- HUT12713-14 888
- HUT12713-17 888
- HUT12713-XX 983
- HUT12715-01 887
- HUT12716-01 886, 901
- HUT12779-01 877, 878, 886, 901, 981
- HUT12780-01 878, 981
- HUT12781-01 877, 884
- HUT12818-01 888, 980, 981, 982
- HUT12919-01 879
- HUT12986-01 981
- HUT12986-02 981
- HUT16006-01 877, 887, 981
- HUT16150-01 884
- HUT16158-01 882
- HUT16169-01 880
- HUT16171-01 880
- HUT16178-01 880
- HUT16238-01 981
- HUT16238-03 981
- HUT16238-05 981
- HUT16238-30 981
- HUT16244-01 981
- HUT16244-03 981
- HUT16244-05 981
- HUT16297-01 888
- HUT16319-01 880
- HUT16319-02 880
- HUT16353-01 884
- HUT16398-02 882
- HUT16398-04 882
- HUT16398-08 882
- HUT16398-12 882
- HUT16483-01 881
- HUT16816-XX 983
- HUT16868-01 888
- HUT17350-01 891
- HUT17635-01 981
- HUT17635-03 981
- HUT17635-04 981
- HUT17635-05 981
- HUT177-00 983
- HUT17708-01 108
- HUT17784-01 882
- HUT18064-01 878, 886, 983
- HUT18150-07 877
- HUT18150-13 877
- HUT18426-01 878, 887
- HUT18723-01 884
- HUT18797-01 878, 885
- HUT18797-02 901
- HUT18945-03 885
- HUT19033-03 885
- HUT19075-01 889
- HUT19137-01 882

- HUT19224-01 983
- HUT19299-03 885
- HUT19300-03 885
- HUT19360-01 890
- HUT19360-02 890
- HUT19360-03 890
- HUT19360-04 890
- HUT19360-06 890
- HUT19468-01 885, 983
- HUT19515-01 889
- HUT20248-01 879
- HUT20289-01 878, 887, 901, 983
- HUT20335-03 878
- HUT20563-01 885
- HUT20581-01 889
- HUT20635-02 885
- HUT20729-01 880
- HUT20730-01 880
- HUT20733-01 881
- HUT20734-01 881
- HUT21834-01 882
- HUT23486-01 886
- HUT24425-01 982
- HUT24476-01 981
- HUT24476-02 981
- HUT24476-03 981
- HUT24476-04 981
- HUT24495-01 981
- HUT24495-02 981
- HUT24495-03 981
- HUT24692-01 982
- HUT24699-01 982
- HUT24820-01 882
- HUT25590-01 983
- HUT25594-01 983
- HUT25595-01 983
- HUT25614-02 982
- HUT25639-01 982
- HUT26022-01 982
- HUT26156-01 982
- HUT301-01 890
- HUT33-01 878, 980, 983
- HUT35-00 811, 817, 822, 823
- HUT37-03 884
- HUT405-37 889
- HUT405-72 980
- HUT551-00 981, 982
- HUT7010-00 884
- HUT7030-00 891
- HUT706-01 888
- HUT710-00 888
- HUT71091-01 886, 893
- HUT712-11 881
- HUT712-12 881
- HUT715-00 882
- HUT719-02 891
- HUT722-00 881
- HUT750-03 884
- HUT755-03 889
- HUT756-00 891
- HUT759-00 884
- HUT7620-00 881
- HUT7701-01 880
- HUT7701-02 880
- HUT7701-07 880
- HUT7701-08 880
- HUT7702-01 880
- HUT7702-02 880
- HUT7702-03 880
- HUT7702-05 880
- HUT7703-01 881
- HUT7703-02 881
- HUT7703-07 881
- HUT7703-08 881
- HUT7717-01 881
- HUT7747-01 814, 818
- HUT7816-10 927
- HUT7816-12 927
- HUT8010-14 878, 889
- HUT8010-16 981
- HUT8010-17 980
- HUT8010-29 983
- HUT8016-00 980
- HUT8018-01 886, 980, 981
- HUT8018-02 877, 878, 886, 980, 982, 983
- HUT8026-00 878, 980, 981, 982
- HUT8028-00 878, 889, 901, 980, 981, 983
- HUT8040-00 878, 980
- HUT8054-00 980, 981, 982
- HUT8098-01 877, 886, 980
- HUT814-00 879, 887
- HUT817-00 879
- HUT8178-01 980
- HUT8178-02 980
- HUT8178-03 980
- HUT8178-04 980
- HUT8178-05 980
- HUT8178-07 980
- HUT820-00 879
- HUT836-00 879
- HUT837-00 879
- HUT841-00 879
- HUT8505-00 980
- HUT8511-01 980
- HUT8511-02 980
- HUT8518-00 980
- HUT8518-03 981
- HUT890-00 879
- HUT891-00 879
- HUT892-00 879
- HUT893-01 879
- HUT895-00 879
- HUT898-00 879
- HUT9224-00 981, 983
- HUT9293-00 879
- HUT9627-00 878, 980, 981, 982, 983
- HUT9639-01 879
- HUT9640-00 879
- HUT9934-02 879, 891
- HUT9937-00 804, 879, 891
- HUTH8200-42 877
- HUTH8200-48 877
- HUTH9811-42 878
- HUTH9811-48 878
- HYT572 932
- HYT580 932
- HYT592A 932
- HYT594A 932
- HYT653 932
- HYT663 932
- HYTHM212011 932
- HYTHM212049 932
- HYTHM218210 932
- HYTHM218248 932
- HYTHM518410 932
- HYTHM518445 932
- HYTSET401 932
- HYTSET406 932
- HYTSET413 932
- HYTSET414 932
- HYTSET415 932
- HYU10015370 721

- I**
- IMXBCP-3030K 123
- IMXD-312 227, 640
- IMXD-324 227, 640
- IMXD-412 227, 640
- IMXD-424 227, 640
- IMXD-472 227, 640
- IMXGT-1001 663
- IMXGT-1002A 664
- IMXGT-1002WHT 664
- IMXGT-1003 664
- IMXGT-1004 663
- IMXGT-1005 664
- IMXGT-1006A 664
- IMXGT-1007 663
- IMXGT-1008 663
- IMXGT-1009 664
- IMXGT-1035 664
- IMXGT-1050 664
- IMXGT-1055 664
- IMXGT-1100 644
- IMXGT-1100A 644
- IMXGT-1101 644
- IMXGT-1105 679
- IMXGT-1111 646
- IMXGT-1150 645
- IMXGT-1150W 645
- IMXGT-1151 645
- IMXGT-1151W 645
- IMXGT-1200P 193
- IMXGT-1202 230
- IMXGT-1300 438
- IMXGT-1301 456
- IMXGT-1302 456
- IMXGT-1303 456
- IMXGT-1304 436
- IMXGT-1305 436
- IMXGT-1306 456
- IMXGT-1307 456
- IMXGT-1308 681
- IMXGT-1309 681
- IMXGT-1310 681
- IMXGT-1312 456
- IMXGT-1313 436
- IMXGT-1314 437
- IMXGT-1315 681
- IMXGT-1317 437
- IMXGT-1318 476
- IMXGT-1323 437
- IMXGT-1324 438
- IMXGT-1326 456
- IMXGT-1330 350
- IMXGT-1924S 671
- IMXGT-2006 228, 641
- IMXGT-2027 228, 641
- IMXGT-2036 228, 641
- IMXGT-2038 228, 641
- IMXGT-2041 228, 641
- IMXGT-2042 228, 641
- IMXGT-2043 228, 641
- IMXGT-2044 228, 641
- IMXGT-2045 228, 641
- IMXGT-2046 228, 641
- IMXGT-2047 648
- IMXGT-2048 648

IMXGT-2049 648
 IMXGT-2055 648
 IMXGT-2101 227, 640
 IMXGT-2107 227, 640
 IMXGT-2108 476
 IMXGT-2109 227, 640
 IMXGT-2312 228, 641
 IMXGT-2345 228, 641
 IMXGT-2406 667
 IMXGT-2406PSB 667
 IMXGT-2406PSW 667
 IMXGT-2418PPSW 670
 IMXGT-2418S 671
 IMXGT-2424CD 671
 IMXGT-2424HD 671
 IMXGT-2424PHDB 669
 IMXGT-2424PHDW 669
 IMXGT-2424PPSB 670
 IMXGT-2424PPSBLAC 670
 IMXGT-2424PPSBRAC 670
 IMXGT-2424PPSW 670
 IMXGT-2424PSB 670
 IMXGT-2424PSW 670
 IMXGT-2424S 671
 IMXGT-2424X 672
 IMXGT-2427PPSB 670
 IMXGT-2427PPSW 670
 IMXGT-2428PPSBS 670
 IMXGT-2428PPSW 670
 IMXGT-2430CD 671
 IMXGT-2430HD 671
 IMXGT-2430PHDB 669
 IMXGT-2430PHDW 669
 IMXGT-2430PPSB 670
 IMXGT-2430PPSW 670
 IMXGT-2430PSB 670
 IMXGT-2430PSW 670
 IMXGT-2430S 671
 IMXGT-2430TPHDB 670
 IMXGT-2430TPPSB 670
 IMXGT-2430X 672
 IMXGT-2436CD 671
 IMXGT-2436HD 671
 IMXGT-2436PHDB 669
 IMXGT-2436PHDW 669
 IMXGT-2436PPSB 670
 IMXGT-2436PPSW 670
 IMXGT-2436PSB 670
 IMXGT-2436PSW 670
 IMXGT-2436S 671
 IMXGT-2436X 672
 IMXGT-2440X 672
 IMXGT-2442X 672
 IMXGT-2599 63
 IMXGT-2600 63
 IMXGT-2601 63
 IMXGT-2602 63
 IMXGT-2603 63
 IMXGT-2604 63
 IMXGT-2606 63
 IMXGT-2607 63
 IMXGT-2608 63
 IMXGT-2610 64
 IMXGT-27516B 718
 IMXGT-27516BUCKET 678, 718
 IMXGT-3000 676
 IMXGT-3004 607
 IMXGT-3006A 607
 IMXGT-3006B 607
 IMXGT-3007A 607
 IMXGT-3007B 607

IMXGT-3010 613
 IMXGT-3014 613
 IMXGT-3016 614
 IMXGT-3017 616
 IMXGT-3100 608
 IMXGT-3200 617
 IMXGT-3201 776
 IMXGT-3227 615
 IMXGT-3227E 615
 IMXGT-3337 615
 IMXGT-3338 614
 IMXGT-3553 619
 IMXGT-5001 72
 IMXGT-5001-2 72
 IMXGT-5002 71
 IMXGT-5003 71
 IMXGT-5004 71
 IMXGT-5251 48
 IMXGT-5253 48
 IMXGT-5254 48
 IMXGT-5255 48
 IMXGT-5280 126
 IMXGT-5317 57
 IMXGT-5320 64
 IMXGT-5327 57
 IMXGT-5330A 58
 IMXGT-5331A 58
 IMXGT-5332A 58
 IMXGT-5335 59
 IMXGT-5337 59
 IMXGT-5338 59
 IMXGT-5338S 59
 IMXGT-5339 59
 IMXGT-5339S 59
 IMXGT-5340 64
 IMXGT-5341 64
 IMXGT-5370 73
 IMXGT-5371 73
 IMXGT-5372 73
 IMXGT-5375 71
 IMXGT-5400 127
 IMXGT-5400A 127
 IMXGT-5400B 127
 IMXGT-5401 127
 IMXGT-5402 127
 IMXGT-5402B 127
 IMXGT-5500-38 73
 IMXGT-5800 170
 IMXGT-5801 170
 IMXGT-5802 170
 IMXGT-5803 170
 IMXGT-5804 170
 IMXGT-6201 22
 IMXGT-7100 353
 IMXGT-7100R 353
 IMXGT-7100WR 353
 IMXGT-7101 353
 IMXGT-7101WR 353
 IMXGT-7200 648
 IMXGT-7201 353, 649
 IMXGT-7202-01 353, 649
 IMXGT-7202-01K 649
 IMXGT-7202-02 353, 649
 IMXGT-7202-02K 649
 IMXGT-7202-05 649
 IMXGT-7600BULK 718
 IMXGT-7751 522
 IMXGTA-3838S24 69
 IMXGTA-3838S48 69
 IMXGTA-BC30 123
 IMXGT-SSD007 353

IMXGT-SSD007KIT 353
 IMXGT-UTM006 228, 641
 IMXGT-UTM172 228, 641
 IMXGT-UTM214 228, 641
 IMXGT-UTM259 228, 641
 IMXLGSQUARE 522
J
 JJK003TS 648
 JJK13073 646
 JJK1RSP-DD 665
 JJK200-FS-C3 668
 JJK221 648
 JJK2402 662
 JJK2PLYCARBON-12B 668
 JJK3-TPH 644
 JJK49-SN 668
 JJK4-TPH 644
 JJK54-SN 662
 JJK678-R 643
 JJKED-14-TG 649
 JJKWW-400-FS-C3 668
 JKG1005 647
 JKG1005-CASE 647
 JKG1900KIT 666
 JKG2000WP 603
 JKG2800 677
 JKG2845 677
 JKG300 664
 JKG300-LID 664
 JKG3046 648
 JKG350 664
 JKG350-LID 664
 JKG3630 228, 641
 JKG3781 228, 641
 JKG500 664
 JKG550 664
 JKG6100 353
 JKGJK500LID-ONLY 664
 JOS75015-03 350
 JOSA10033 501
 JOSA10048 501
 JOSA10049 501
 JOSA10052.3 501
 JOSA10054.3 501
 JOSA10054.7 501
 JOSA10101 501
 JOSA10102 501
 JOSA10218 501
 JOSA10255 501
 JOSA10260.1 501
 JOSA10283 501
 JOSA400.T18.17 502, 975
 JOSA400.T18.19 975
 JOSA400G-17-08 502
 JOSA400G-19-08 502
 JOSA400G3-17-08 502
 JOSA400L.T18.17 502, 975
 JOSA400L.T18.19 975
 JOSA400LG-17-08 502
 JOSA400LG-19-08 502
 JOSA400LG3-17-08 502
 JOSA400LT1.17 502
 JOSA400LT1-19-08 502
 JOSA400LT-17 502
 JOSA400LT-19 502
 JOSA400R.T18.17 502, 975
 JOSA400R.T18.19 975
 JOSA400RG-17-08 502
 JOSA400RG-19-08 502
 JOSA400RG3-17-08 502
 JOSA400RT1.17 502

JOSA400RT1-19-08 502
 JOSA400RT-17 502
 JOSA400RT-19 502
 JOSA400T1-17 502
 JOSA400T1-19-08 502
 JOSA400T-17 502
 JOSA400T-19 502
 JOSA401G-17-08 502
 JOSA401G3-17-08 502
 JOSA401G3-19 502
 JOSA401LG-17-08 502
 JOSA401LG3-17-08 502
 JOSA401LG3-19 502
 JOSA401LT1-17-08 502
 JOSA401LT1-17-14 502
 JOSA401LT-17 502
 JOSA401RG-17-08 502
 JOSA401RG3-17-08 502
 JOSA401RG3-19 502
 JOSA401RT1-17-08 502
 JOSA401RT1-17-14 502
 JOSA401RT-17 502
 JOSA401T1-17-08 502
 JOSA401T1-17-14 502
 JOSA401T-17 502
 JOSA441.G3.17.36 503
 JOSA441.T1.17.08 503
 JOSA441LG3-17-08 503
 JOSA441LG3-17-36 503
 JOSA441LT1-17-08 503
 JOSA441LT1-17-36 503
 JOSA441RG3-17-08 503
 JOSA441RG3-17-36 503
 JOSA441RT1-17-08 503
 JOSA441RT1-17-36 503
 JOSA441T1-17-08 503
 JOSA451G3-17 503
 JOSA451LG3-17 503
 JOSA451RG3-17 503
 JOSB10036 501
 JOSB10066.43.4 507
 JOSB10066.68.4 501, 507
 JOSB10066.72.0 507
 JOSB10066.77.4 507
 JOSB10130 501
 JOSB10229 501
 JOSB10236 501
 JOSB10261 501, 506
 JOSB10285 507
 JOSB10363.53.72 507
 JOSB10363.55.87 507
 JOSB10363.56.5 507
 JOSC10035 501
 JOSC10078 501
 JOSC10085 501
 JOSC10108 501
 JOSC10135 501, 508
 JOSC10155 501
 JOSC-10177 501
 JOSC10217 501
 JOSC10233 501
 JOSC10234 501
 JOSC10256 501
 JOSC10257 501
 JOSC10259 501
 JOSC10262 501
 JOSC10263 501
 JOSC10591.2 505
 JOSC10591.3 505
 JOSC10591.3SER 505

JOSC10591.5 505
 JOSC10592.2 501, 505
 JOSC10592.3 505
 JOSC10592.5 505
 JOSC10592-4 505
 JOSC10717 501, 509
 JOSC111502 501
 JOSC11188 501
 JOSJSK37FSL 346
 JOSJSK37HSL 346
 JOSJSK37USL 346
 JOSSK1489LZ
 334, 335, 336, 338, 339
 JOSSK1489Z 338
 JOSSK2106-69
 334, 335, 336, 338, 339
 JOSSK2106-70
 334, 335, 336, 338, 339
 JOSSK2905-94 338, 339
 JOSSK3105-140 334, 335,
 336, 338, 350
 JOSSK3105-151 335, 338
 JOSSK3105-18 338
 JOSSK3105-20 334, 335, 336,
 338, 339
 JOSSK3105-92 334, 335, 336,
 338, 339
 JOSSK3105-93 334, 335, 336,
 338, 339
 JOSSK3105-95 338, 339
 JOSSK3108-02 334, 335, 336,
 338, 339
 JOSSK3205-06 334, 335, 336,
 338, 339
 JOSSK70202-15 334, 336,
 338, 339
 JOSSK70301-00 334, 335, 336,
 338, 339
 JOSSK70302-05 339
 JOSSK70401-02 339
 JOSSK70993-00
 334, 335, 336, 338
 JOSSK70993-01 339
 JOSSK71513 334, 335, 336,
 338, 339
 JOSSK72106-67 334, 335, 336,
 338, 339
 JOSSK73104-05 335
 JOSSK73104-47 334, 335, 336,
 338, 339
 JOSSK73105-15 334, 335, 336,
 338, 339
 JOSSK73105-95 335
 JOSSK73121-28B 335, 339
 JOSSK73121-55 334, 335, 336,
 338, 339
 JOSSK73205-07 334, 335, 336,
 338, 339
 JOSSK73221-01 334, 335, 336,
 338, 339
 JOSSK73221-50Z 334, 335,
 336, 338, 339
 JOSSK73221-52Z 335
 JOSSK75013-02 338
 JOSSK75013-11 347
 JOSSK75013-12 347
 JOSSK75013-14 334, 336
 JOSSK75013-20 348

JOSSK75013-20D 348
 JOSSK75014-01 350
 JOSSK75016-04 338
 JOSSK75016-09 348
 JOSSK79002-00 350
 JOSSK79009-27 338
 JOSSK79010-02 339
 JOSSK79011-03 338, 339
 JOSSK79011-12 334, 336
 JOSSK79024-01 339
 JOSSK79024-02 339
 JOSSK79024-03 339
 JOSSK79048-02 334, 336
 JOSSK847 334, 335, 336,
 338, 339

K

KEMAFLO90X96X53 253
 KEMAFLO90X102X53 253
 KEMAFS90X12X48 260
 KEMAFS90X12X53 260
 KEMAFS90X16X48 260
 KEMAFS90X16X53 260
 KEMAFS90X24X48 260
 KEMAFS90X24X53 260
 KEMAFS90X48X10 260, 426,
 427, 428
 KEMAFS90X48X48 260
 KEMAFS90X48X53 260
 KEMAFS90X48X8 260, 298, 299
 KEMDB385-10 254
 KEMEGAT145X12X53 260
 KEMETR75X102.5X250 244
 KEMETR75X102.5X29 244
 KEMETR75X102.5X54 244
 KEML60X102X53 244
 KEMLTR120X12X53 260
 KEMLTR120X16X53 260
 KEMLTR120X24X53 260
 KEMLTR120X48X9.2 260
 KEMR50SNPTCHK 246
 KEMRK85 256
 KEMTFIX 246
 KEMTIW60X102.5X29 244
 KEMTIW75X102.5X500 244
 KEMTIW75X102.5X54 244
 KEMTRF75X102.5X29 244
 KEMTRF75X102.5X500 244
 KEMTRF75X102.5X54 244
 KEN4101638708 213
 KENM011002-1 194
 KENM011016-1 194
 KENM011018-1 213
 KENM014007-1 200
 KENM014039-1 200
 KENM014052-2 200
 KEYEC1055ABSF 749
 KEYEC53AB 749
 KEYFP100AB 750
 KEYQP300 750
 KIC001-75000TH 934
 KIC52020-01 936
 KIC52230-10 936
 KIC52327-10 936
 KIC52705-308 936
 KIC52877-11 936
 KIC53026-01 936
 KIC53033-30 935
 KICHUB-75000TH 934
 KIN10032 331
 KIN10033 331

KIN10034-20BX 312
KIN10034-25BX 312
KIN10034GH 315
KIN10035 314
KIN10035HD 314
KIN10035MD 314
KIN10036 314
KIN10038-20BX 312
KIN10038-25BX 312
KIN10038GH 315
KIN10052 318
KIN10053 318
KIN10062 318
KIN10081 318
KIN10085 318
KIN10085XL 318
KIN10088 318
KIN10091 327
KIN10092 327
KIN10094 327
KIN1020 329
KIN1020LP 329
KIN1022 329
KIN10421 319
KIN10423 319
KIN13008 329
KIN1524 421
KIN15400PK 647
KIN15602 327
KIN1820 329
KIN1820P2 329
KIN1845 317
KIN1863 326
KIN2005 317
KIN2019 321
KIN2051-072 316
KIN3606 330
KIN3607 330
KIN3608 330
KIN37024 327
KIN37025 326
KIN37026 326
KIN37030 331
KIN37031 331
KIN37033 331
KIN3820 329
KIN422721 324
KIN423010 324
KIN423021 324
KIN423021E 324
KIN423021STENWUSA 324
KIN423030 324
KIN423040 324
KIN423521 324
KIN424021 324
KIN43001 321
KIN4630D3 324
KIN512720 322
KIN512784 322
KIN513020 322
KIN513084 322
KIN573020 322
KIN5820 329
KIN593021 322
KIN641201 322
KIN641601 322
KIN642001 322
KIN651201 323
KIN651601 323
KIN652001 323
KIN660001 317

KIN711587PK 322
KIN711681-45PK 322
KIN7820 329
KIN7820P2 329
KIN80007 317
KIN80044 661
KIN80111 350
KIN802 327
KIN804 327
KIN8656 661
KIN8730 321
KIN9122 644
KINFE7053-1 317
KINFE8066-1 316
KINFE8066-3 316
KINFE8264-1 317
KINJB101 318
KINJB101XL 318
KINVB13 326
KNA3395 332
KON082430C 671
KON082436C 671
KWI658328 37
KYS112003 505
KYS201060 479
KYS201208 479
KYS203514 479
KYS716037 481, 523
KYS716039 481
KYS722000 479
KYS722018 479
KYS724036 481
KYS724037 479, 481
KYS725001 479, 481
KYS725002 479, 481
KYS725003 479, 481
KYS725046 479, 481, 489
KYS728000 479, 481
KYS728003 481, 489, 491, 493
KYS729002 479, 481
KYS729016 479, 481
KYS730005 479
KYS730007 479, 481
KYS730011 479, 481
KYS730122 479
KYS730157 479
KYS730590 479, 481
KYS730638 481, 489, 493
KYS730640 481, 489, 493
KYS741158 479, 481, 489
KYS750002 479, 481
KYS750004 479, 481
KYS750009 479, 481, 489
KYS750109 479
KYS750212 479
KYS751173 479, 481, 489
KYS751174 479, 481, 489
KYS751175 479, 481
KYS751198 481
KYS751601 481
KYS751612 481

L
LAB126-CT 645
LAB126-CTP 645
LAB20HM206 645
LAB21-8C 645
LAB80SM-03 646
LAB80-SM-S 644
LAB80SMWCC97 644
LAB80SMW-S97 644
LAB81-8FO 645
LAB81-8SFO 645
LAB81-8WFO 645
LAB81-8WSFO 645
LAB81-CLIP 646
LABMPDFL1000 642, 662
LABRT-14 663
LABRT-18 663
LAFXOYRV660788W 725
LAS-02W-S-SET-0208 437
LAYTRAS935 177
LAYTRAS950 177
LAYTRAS951 177
LAYTSFS137L 177
LAYTSFS137R 177
LAYTSFS141L 177
LAYTSFS141R 177
LAYTSFS248L 177
LAYTSFS248R 177
LGM-GD01 511
LGM-GD15 518
LGM-GD53 518
LGM-GD54 518
LGM-GD60 514
LGM-GD61 515
LGM-GD62 515
LGM-HY05 518
LGM-HY06 518
LGM-HY07 511
LGM-HY08 518
LGM-HY14 511
LGM-ST01 518
LGM-ST02 519
LGM-UT01 519
LGM-UT02 519
LGM-UT03 519
LGM-UT04 519
LGM-UT05 519
LGM-UT06 519
LGM-VN09 519
LHT1156 590
LHT1157 590
LHT1157NA 590
LHT1889 590
LHT1893 590
LHT194 590
LHT3157 590
LHT3157NA 590
LHT4411 588
LHT53 590
LHT67 590
LHT89 590
LHT9004 588
LHT9006 588
LHT9007 588
LHT97 590
LHTBM1040B 585
LHTGR2000 599
LHTGR2238 599
LHTGR2500 599
LHTGR4000 599

LHTH4651 588
LHTH4656 588
LHTH6054 588
LHTL2000 585
LHTL2001 555
LHTLEDF4000-1R2 572
LHTML2040A 528
LHTML2040R 528
LHTPT6020 630
LHTPT9530 630
LHTSI1040A 538
LHTSI1040C 577
LHTSI1040R 538
LHTSI1225C 577
LHTSI1225L 554
LHTSI2000A 543
LHTSI2000R 543
LHTSI2500A 544
LHTSI2500R 544
LHTSI4000A 571
LHTSI4000R 571
LHTSI4000R-2 571
LHTSR2238A 560
LNR-GD01 254
LNR-HY01 253
LNR-VN01 253
LOK-HY04 475
LOK-HY06 475
LOK-TM01 475
LSASB3315K 959
LSASB3320K 959
LSASB3520K 959
LSASB3522K 959
LSASB4015K 959
LSASB4020K 959, 984
LSASB4022K 959
LSASB4220K 959
LSASB4222K 959
LSASB4420K 959
LSASB4422K 959
LUB-DSL001 700
LUB-DSL001-1 700
LUB-DSL002 699
LUB-GEA001 701
LUB-GRS001 703
LUB-GRS004 701
LUB-GRS005 699
LUB-GRS007 701
LUB-GRS010 700
LUB-GRS012 699
LUB-GRS019 700
LUBUN8090 706
LUC10001 708
LUC10002 708
LUC10003 687
LUC10005-30 701
LUC10006 705
LUC10008 708
LUC10011 708
LUC10013 687
LUC10020 687
LUC10030 698
LUC10042 707
LUC10043 706
LUC10046 706
LUC10047 706
LUC10048 706
LUC10088 707
LUC10089 707
LUC10160 684

LUC10216 705
LUC10301-30 698
LUC10330 698
LUC10513 684
LUC10514 685
LUFB0072233 264
LUFD0065278 195
LUFE7085948 272
LUFE7088155 329
LUFE7088434 239
LUFPPA65611 200
M
MAM635G 747
MAM635W 747
MAM640 753
MAN25AM-GRAY 744
MAN25AM-WHITE 744
MAN30A-ALUMINUM 746
MAN30A-WHITE 746
MAN4WTT 758
MAN4X50ALUMA 758
MAN501-A-ALUMINUM 747
MAN501-A-WHITE 747
MAN64-2-2A 756
MAN64-2A 756
MAN64A 756
MAN65A-ALUMINUM 744
MAN65A-WHITE 744
MAN65B-GALLON 247, 752
MAN65-H 247, 752
MAN73A-ALUMINUM 745
MAN73A-BLACK 745
MAN73A-CLEAR 745
MAN73A-WHITE 745
MAN75AM-BLACK 745
MAN75AM-GREY 745
MAN75AM-WHITE 745
MAN76AMTG 247, 752
MANS75AMW2 745
MAS5180-1GAL 247, 753
MASAH-55 247, 753
MASVIT1987 744
MAX096002-10 231
MAX221736 231
MAX262939 231
MAX264346 231
MAX264951-01 231
MAX264951-04 231
MAX266037-01 231
MAX268030-01 231
MAX268142-01 232
MAX268866-01 232
MAX280252 232
MAX280693-01 232
MAX282718-01 232
MAX284080-01 232
MCAAV102 643
MCAAV104 643
MCAAVM104 643
MCACV102 643
MCACVM104 643
MCAFB300C 643
MCAFS300C 644
MCAFW300C 644
MCAFW400C 644
MCAMF101 643
MCAMSF263M-RED 573
MFP0015 421
MFP0020 421
MFPGRID1-0960 351

MFPGRID1-1020 351
MFPTUBE3 224
MGM1621901 123
MGM3230008 123
MGM3230951 125
MGM3232951 125
MGM3430008 123
MGM3430051 125
MGM9019005P 129
MID10024 63
MID10028 63
MID10043 776
MID11304 48
MID11306 48
MID11307 48
MID11400 62
MID11402 62
MID11440 57
MID11441 57
MID11444 57
MID11445 57
MID11451 58
MID11452 58
MID11541 72
MID11543 72
MID11544 72
MID11546 72
MID11548 73
MID11549 73
MID11600 71
MID11602 71
MID11603 71
MID11900 42
MID11901 42
MID11902 42
MID11904 42
MID11905 42
MID11913 42
MID12104 36
MID12105 36
MID12509 99
MIDA59512309 25, 27
MIDA902701 74
MIDA920811 22
MIDAL10271914 18, 25, 27
MIDAL10271915 18
MIDAL1027196 18
MIDAL364040 20
MIDAL364041 20
MIDAL364045 20
MIDAL430614 21
MIDAL430624 21
MIDAL430664 21
MIDAL430666 21
MIDAL430668 21
MIDAL430670 21
MIDAL919338 21
MIDAL919339 21
MIDAL919340 21
MIDAL919341 21
MIDAL919342 21
MIDAL919800 19
MIDAL919801 19
MIDAL919802 19
MIDAL919803 19
MIDAL919804 19
MIDAL919805 19
MIDAL919806 19
MIDAL919807 19
MIDAL919900 22

MIDAL919901	22	MINP108940A	443, 449	MINP41425	466, 468
MIDAL919902	22	MINP109431	449	MINP41535	466, 468
MIDAL919903	22	MINP109545	449	MINP41545	466, 468
MIDAL920809	74	MINP1154061	449	MINP41551	471
MIDAQ15473	23	MINP1154065	449	MINP41555	471
MIDAQ40525	16	MINP1156061	449, 451	MINP41557	466, 471
MIDAQ964110	16	MINP1156063	449	MINP41561	471
MIDB205010	617	MINP1156065	449, 451	MINP4156-5	471
MIDBE13250	635	MINP1156101	449	MINP41567	466, 471
MIDBE22010	608	MINP1156105	449	MINP42015	470
MIDBE22040	608	MINP11632971	449	MINP42025	470
MIDBE24000	616	MINP11632973A	449	MINP42075	466, 472
MIDBE24001	616	MINP11632975	449	MINP42085	466, 473
MIDBE24020	616	MINP11632977	449	MINP42231	466, 471
MIDBE24030	616	MINP1164161	449	MINP42235	471
MIDBE26100	610	MINP11661	449, 451	MINP42237	471
MIDBE26103	610	MINP11665	449	MINP42241	471
MIDCQ19113	127	MINP1169061	449, 451	MINP42255	470
MIDKN18530	106	MINP1356067	449	MINP42265	470
MIDKN20001	98	MINP1502	449	MINP42375	471
MIDKN20010	99	MINP1503	449	MINP42521	472
MIDKN20011	99	MINP1506	449	MINP42575	470
MIDKN23000	101	MINP1507	449	MINP42585	470
MIDKN23010	102	MINP1508	449	MINP43560	449
MIDKN26020	102	MINP1509	449	MINP43561	449
MIDKN28300	85	MINP1510	449	MINP43561EP	449
MIDKN28510	85	MINP151017KIT	467	MINP4356L	449
MIDKN28600	82	MINP151018KIT	467	MINP43611	449
MIDKN28601	82	MINP151063KIT	467	MINP43725	473
MIDKN31000	104	MINP151064KIT	467	MINP43875	472
MIDKN32005	83	MINP151181TEL	467	MINP44215	470
MIDKN32011	83	MINP151182TEL	467	MINP44225	470
MIDKN32013	83	MINP151705	467	MINP44235	473
MIDKN32041	83	MINP151706	467	MINP44245	473
MIDKN36240	123	MINP152011	467	MINP44315	473
MIDKN36470	127	MINP152011KIT	467	MINP44325	473
MIDM143982	129	MINP152011TEL	467	MINP50005A	460, 466
MIDMA36120	123	MINP152012	467	MINP50015	468
MIDMA36120	901	MINP152012KIT	467	MINP50025	468
MIDN14514	99	MINP152012TEL	467	MINP50035	468
MINP1054013A	449	MINP152037	467	MINP50145	476
MINP1054017A	449	MINP152037KIT	467	MINP50155	468
MINP1054107A	449	MINP152038	467	MINP50165	468
MINP1054117	449	MINP152038KIT	467	MINP50600	449
MINP1054123A	449, 454	MINP153459	467	MINP50730	449
MINP1054133A	449	MINP153460	467	MINP50730EP	449
MINP1054143	449	MINP153587	467	MINP50735	449
MINP1054143A	454	MINP153588	467	MINP51125	468
MINP1054147	449	MINP161321	449	MINP51135	468
MINP1054153A	449	MINP20915	466	MINWALLCHART	762
MINP1054157A	449	MINP20925	466	MMM01397	765
MINP105483	449	MINP24975	466, 468	MMM01407	765
MINP10645	466, 471	MINP24985	466, 468	MMM01408	765
MINP10647	471	MINP40055	466, 472	MMM01987	765
MINP107835RB	449	MINP40061	466, 472	MMM06548	759
MINP107835RBB	443	MINP40071	466, 472	MMM07048	771
MINP107845RBB	443, 449	MINP40111	472	MMM07184	771
MINP107855	449	MINP40115	466, 472	MMM07185	770
MINP108530	449	MINP40117	472	MMM07189	770
MINP108540	449	MINP40121	473	MMM07480	765
MINP108550	443	MINP40125	466, 473	MMM07481	765
MINP108600	449	MINP40421	466, 472	MMM07485	765
MINP108630	443, 449	MINP40435	466, 468	MMM07486	765
MINP108640	443, 449	MINP40445	466, 468	MMM08001	748
MINP10871	450	MINP40497	464, 466, 471	MMM08881	712
MINP10872	449	MINP40901	473	MMM11326	768
MINP108835	449	MINP40905	466, 473	MMM26340	759
MINP108835RBB	443	MINP41405	466, 471	MMM310-1001	768
MINP108845	449	MINP41407	471	MMM963-32-2	638
MINP108855RBB	449	MINP41415	466, 468	MMM983-10-2	638

- MMM983-10-2X18 638
- MMM983-32-2 638
- MMM983-32-2X18 638
- MMM983-32-2X18KC 638
- MMM983-326-2 638
- MMM983-71 638
- MMM983-72-2 638
- MNR45502 810
- MNR65416 805
- MNR66607 805
- MNR66608 805
- MNR66636 805
- MNR66884 805
- MNR66886 805
- MNR66893 805
- MOL-GD01 244
- MOL-GD02 245
- MOL-GD03 245
- MOL-TM01 245
- MOR000056 291, 301
- MOR000085 285
- MOR0000961 291, 301
- MOR00015904 291, 295, 301, 305
- MOR0001704 285
- MOR0001709 285
- MOR0002502 295
- MOR0002503 295
- MOR00033901 285, 305
- MOR000745 285, 301
- MOR000785 285, 291, 295, 301, 305
- MOR0010151 285, 291, 295
- MOR001481 285, 301
- MOR00165 291, 295, 301
- MOR0028205 289
- MOR0028405 289
- MOR00317 289, 299
- MOR003951 285, 291, 301
- MOR004186 289, 299
- MOR004187 288, 289
- MOR004188 298, 299, 307
- MOR00427016 298, 299
- MOR00428015 298, 299
- MOR00660 285, 291, 301, 305
- MOR00667101 285, 291
- MOR00667102 285, 291
- MOR006720062 285, 291, 295, 300
- MOR006943 285, 291, 295, 301
- MOR00697 285
- MOR006972 285, 306
- MOR01424 285
- MOR01424 291, 301, 305
- MOR01901 285, 291, 301
- MOR01902 285, 291, 301
- MOR0190330 285, 291, 301, 304
- MOR0190340 285, 291, 301, 304
- MOR019083 285, 301
- MOR01913063 285, 300, 305
- MOR0192403 285, 291, 301, 304
- MOR0192404 285, 291, 301, 304
- MOR03300 289
- MOR0383309 288
- MOR0401511 293, 303
- MOR040179 287, 293, 297, 303
- MOR040634 287, 293, 297, 303
- MOR040644 287, 293, 297, 303
- MOR051047 717
- MOR051049 715
- MOR051051 715
- MOR051176 288, 289, 298, 299
- MOR052021 721
- MOR05210 287, 293, 297, 303
- MOR052215 288, 289, 298, 299
- MOR054101 285
- MOR05412 285, 301
- MOR05550 298, 299
- MOR0664438 285, 291, 301
- MOR066443801 285, 291, 301
- MOR06645 295
- MOR066450 295
- MOR07621 287, 293, 297
- MOR07622 287, 293, 297, 306
- MOR0762204 287, 293, 297
- MOR076221 306
- MOR076263 306
- MOR076264 287, 297, 306
- MOR0762971 298
- MOR076351 288
- MOR076502 289
- MOR076543 298, 299
- MOR07657 288
- MOR076931 288
- MOR077034 307
- MOR077038 307
- MOR07710 301
- MOR07779 298
- MOR077803 289
- MOR0784104 295
- MOR083012406 285
- MOR087107 298
- MOR087121 288
- MOR087122 288
- MOR087226 288, 289, 298, 299, 307
- MOR08730 289, 299
- MOR08737 299
- MOR08738177 298
- MOR08738178 298
- MOR087603 288, 289, 298, 299
- MOR087604 288, 289, 298, 299
- MOR0877 42 289
- MOR087725 298
- MOR087726 298
- MOR087742 288, 299
- MOR087761 288
- MOR08788 298, 299
- MOR087919 287, 293, 295, 297, 303, 306
- MOR101423 285
- MOR1037002 287, 293
- MOR1037102 287, 293
- MOR1037202 287, 293
- MOR10471822 287, 293, 303
- MOR1076607 293
- MOR1076611 293
- MOR1121583 288
- MOR11216913 287, 293, 303
- MOR1121692 287, 293, 303
- MOR1121747 287, 297, 303
- MOR1121823 287, 293
- MOR113911 288
- MOR11470 298, 299
- MOR1198633278 303
- MOR1198633279 303
- MOR1198653 287, 293, 303
- MOR122261 295
- MOR122282 295
- MOR13500 285, 291, 295, 300, 305
- MOR13502 285, 291, 295, 305
- MOR13584 285, 291, 295, 300
- MOR1358401 285, 291, 295
- MOR1403809 285
- MOR14142 285, 295, 305
- MOR141862 295
- MOR141863 295
- MOR14211 291, 295
- MOR14225 291, 295
- MOR142804 289
- MOR143265 289
- MOR14330 288
- MOR14342021 288
- MOR143905 295
- MOR1620005 291
- MOR192404 285
- MOR20020 291, 295, 301
- MOR20021 291, 295, 298, 299, 301
- MOR20022 291, 295, 301
- MOR45319 298, 299
- MOR46001259 287, 293, 297
- MOR46001260 287, 293, 297
- MOR62664 285
- MOR6266416 291, 295, 300, 305
- MOR6266516 285, 291, 295, 300, 305
- MOR642019 298, 299
- MOR6480102 301
- MOR64804204 301
- MORA0000119 291, 300, 306
- MORA0000219 291
- MORLHD5S50 288
- MORLHD5S500 288
- MOT20161W-102 937
- MOT500006 963
- MOT88797B 935
- MOT88881 960
- MOT88881-10 960
- MOT89996B 935
- MOT90089BK 935
- MSP18X18FWD 644
- MSP18X18FWG 644
- MSPGHLOCK 648
- MSPGHLOCKKEYALIKE 648
- MSPWIDELOAD 643
- MTR09001867 938
- MTR1199K3859 730
- MTR1244C2733 897
- MTR1250F-526 29
- MTR1259N274 136
- MTR19X1084 128
- MTR19X127 128
- MTR21225405 117
- MTR21225514 118
- MTR2208-P-1160 950
- MTR2208U1113 950
- MTR2210B6866 148
- MTR2210C6867 148
- MTR2210D6868 148
- MTR2210E6869 148
- MTR2255T1346 19
- MTR2255U1113 19
- MTR31023-01 78

MTR31082-00 78
MTR31082-00-85 78
MTR31083-01 78
MTR31083-02 78
MTR31083-09 78
MTR31083-28 78
MTR31084-01 81
MTR31084-10 78
MTR31103-00 78
MTR31114-00 79
MTR31263-14 81, 552
MTR31313-29-M 79
MTR31314-21 80
MTR31317-00 79
MTR31317-03 79
MTR31317-03-S 79
MTR31317-04 79
MTR31317-04-S 79
MTR31363-00 80
MTR3136300CP 80
MTR31373-00 80
MTR3137300CP 80
MTR31437-00 939, 942
MTR31439-00 940, 942
MTR31965-22 80
MTR32184-01 80
MTR32184-01A 80
MTR32202-01A 80
MTR32283-00 940, 943
MTR32515-00 940, 943
MTR3299A5981 126
MTR85919 805, 893, 894
MTRA-1-3133Y8345 893, 894, 897
MTRA1-7806X1090 108
MTRA2258A1457 893
MTRA-2258F1410 893
MTRA2258W1531 793
MTRA2258X1532 793
MTRA2-333A4733 937
MTRA3133G8249 893
MTRA3256-H-1152 778
MTRA-3299T5844 163
MTRA6-333A4733 937
MTRA7420E1045 893, 894
MTRH218401 80
MTRH2200-02 81
MTRKEG4707QP 137
MTRKIT11102 893, 894, 896
MTRKIT11103 893, 894
MTRKIT11107 893, 896
MTRKIT11116 893
MTRKIT11117 893
MTRKIT11201 896
MTRKIT11300 893, 894, 896
MTRKIT11302 896
MTRKIT11305 893, 894, 896
MTRKIT11322 897
MTRKIT11327 893
MTRKIT11328 893
MTRKIT11330 894
MTRKIT11331 893, 894, 897
MTRKIT11332 894
MTRKIT11357 893
MTRKIT-8000HD-BULK 130
MTRKIT8002HD 130
MTRKIT8048 153
MTRKIT8078 153
MTRKIT8078A 153
MTRKIT-8081 130
MTRKIT8091 153
MTRKIT-8094 117

MTRKIT8289 153
MTRKITSTNEW 117
MTRKITSTPN 117
MTRKSMA2124707QP 137
MTRM301501 894
MTRM301530 894
MTRM301532 894
MTRM306534 893
MTRM306536 897
MTRM312508 893, 894
MTRM312520 893
MTRM312521 893
MTRMER614723 116
MTRMER614743 116
MTRMER614973 116
MTRMER644723 116
MTRMER644743 116
MTRMER644973 116
MTRMKT4515QHD-B 130
MTRPKSMA2124707QP 137
MTRPKSMA2124707QP 137
MTRPSMA2124515Q 137
MTRPSMA2124707QP 137
MTRR000540 116
MTRR000572 116
MTRR000573 118
MTRR0010257 963
MTRR002307 171
MTRR004956A 964
MTRR004961A 894
MTRR004963 961
MTRR004968L 962
MTRR004968R 962
MTRR004969L 962
MTRR004969R 962
MTRR005560R 963
MTRR006035 963
MTRR657003 164
MTRR801073 168
MTRR801074 168
MTRR801700 172
MTRR801730 128
MTRR801732 128
MTRR803049 168
MTRR803106 168
MTRR803110 168
MTRR803112 168
MTRR803116 168
MTRR806019 168
MTRR810005 128
MTRR810019 128
MTRR950068A 38
MTRR955320 16
MTRR955322 16
MTRR955329 18
MTRR955335 18
MTRR955336 18
MTRR955338 18
MTRR955341 18
MTRR955342 18
MTRR955344 16
MTRR955345 16
MTRR955374 18
MTRR955378 20
MTRR955458 19, 25, 27
MTRR955459 25, 27
MTRR955604 18
MTRR955605 18
MTRR955607 18
MTRR955615 18
MTRS400-500-101-0 17

MTRS400-500-102-0 17
MTRS400-500-103-0 17
MTRS400-500-104-0 17
MTRS400-850-600-0 17
MTRS400-850-601-0 17
MTRS400-850-602-0 17
MTRS446-108-201-0 21
MTRS446-108-204-0 17, 21
MTRS449-326-005-0 23
MTRS449-326-010-0 23
MTRS4493260300 23
MTRS449-326-047-0 23
MTRS449-326-060-0 23
MTRS449-364-142-0 23
MTRS449-364-143-0 23
MTRS449-364-150-0 23
MTRS449-364-153-0 23
MTRS449-713-018-0 19
MTRS449-713-030-0 19
MTRS449-713-050-0 19
MTRS4497230180 23
MTRS472-195-033-0 16, 17
MTRS478-407-058-4 16, 17, 22
MTRS894-604-944-0 22
MTRS-894-604-945-0 22
MTRS894-606-038-0 22
MTRS894-606-050-0 22
MTRS894-606-275-2 17
MTRS894-607-312-0 17
MTRSNIMG14711QP 137
MTRTN-4671-LR-1150 112
MTRTN-4671-LR-1250 112
MTRTN-4671-LR-7150 112
MTRTN-4671-LR-7250 112
MTRTP-8671-LM-7350 112
MTRTP-8671-LR-1350 112
MTRTP-8671-LR-7350 112
MTRTQ-4671-LR-1350 113
MTRTQ-4671-LR-7350 113
MTRWP-4671-NS-7101 113
MXIHW411 614
MXIHW548 610
MXIMS90-1012-00 618
N
NAT340-195 940, 943
NAT342-009 939, 943
NAT342-195 939, 943
NAT343-350 940, 943
NAT343-352 940, 943
NAT352-195DB 939, 943
NAT370001A 954
NAT370003A 954
NAT370014A 954
NAT370023A 954
NAT370025A 954
NAT370031A 954
NAT370036A 954
NAT370048A 954
NAT370065A 954
NAT3720 932
NAT376590A 954
NAT3782 932
NAT380001A 954
NAT380003A 954
NAT380023A 954
NAT380025A 954
NAT380036A 954
NAT380048A 954
NAT380065A 954
NAT386590A 954
NAT572 932

- NAT580 932
- NAT592A 932
- NAT594A 932
- NATHM212011 932
- NATHM212049 932
- NATHM218210 932
- NATHM218248 932
- NATHM518410 932
- NATHM518445 932
- NATW084B 931
- NEC6203-6237 431
- NEC6237-871 431
- NEC6340 426, 431
- NEC6349 431
- NEC6350 431
- NEC6583771 426, 431
- NEC6927771 426, 434
- NEC6927771ASSY 434
- NEW481-00-367 96
- NEW481-00-394 899, 905, 908
- NEW481-00-449 899
- NEW508-57-000 796
- NEW900-01-215 901
- NEW900-01-216 901
- NEW900-08-147 909
- NEW900-08-149 901
- NEW900-08-198 901, 909
- NEW900-08-238 901, 909
- NEW900-08-247 905
- NEW900-33-785 798
- NEW900-34-133 901
- NEW900-34-494 901
- NEW900-36-177 901
- NEW900-36-217 901
- NEW900-41-878 928
- NEW900-44-089 806
- NEW900-44-162 806, 899, 905
- NEW900-44-625 806
- NEW900-44-642 806
- NEW900-45-040 806, 899, 901, 905
- NEW900-45-298 806, 899, 901, 905
- NEW900-45-299 806, 901
- NEW900-45-491 899, 905, 910
- NEW900-54-007 93, 901
- NEW900-54-074 106
- NEW900-54-075 106
- NEW900-54-082 98
- NEW900-54-088 97
- NEW900-54-516 97
- NEW900-54-786 103
- NEW905-01-350 901
- NEW905-01-351 901
- NEW905-08-004 908
- NEW905-08-019 901, 908
- NEW905-16-801 901
- NEW905-16-802 901
- NEW905-20-543 810
- NEW905-21-303 906
- NEW905-21-742 905
- NEW905-21-743 905
- NEW905-31-339 899, 905, 910
- NEW905-46-134 901
- NEW905-47-932 901
- NEW905-47-942 901
- NEW905-48-007 899, 905, 910
- NEW905-48-019 911
- NEW905-48-021 912
- NEW905-48-040 123
- NEW905-54-078 901
- NEW905-54-107 104, 901
- NEW905-54-183 93
- NEW905-54-184 901
- NEW905-54-335 96
- NEW905-54-615 103, 901
- NEW905-54-664 96, 901
- NEW905-54-994 94
- NEW905-55-094 94
- NEW905-55-100 94
- NEW905-55-105 94
- NEW905-55-353 94
- NEW905-55-365 94
- NEW905-55-397 104
- NEW905-55-398 104
- NEW905-55-409 104
- NEW905-57-159 796, 901
- NEW905-57-194 905
- NEW905-57-223 796, 901
- NEW905-57-225 901
- NEW905-57-369 796
- NEW905-57-375 796
- NEW905-60-012 100
- NEW930-03-597 901
- NEW930-03-633 901
- NEW932-01-051 901
- NEW932-01-070 899, 905
- NEW934-00-136 899, 901
- NEW934-00-149 899, 901, 905
- NEW934-00-367 901
- NEW934-00-492 899, 901, 905
- NEW934-00-506 899, 901, 905
- NEW936-00-072 899, 901
- NEW936-00-077 899, 901, 905
- NEW936-00-553 899, 905
- NEW952-70-008 901
- NEWSRK-145 907
- NEWSRK-149 901, 907
- NEWSRK-203 901, 907
- NEWSRK-205 96
- NEWSRK-266 907
- NEWSRK-521 901, 907
- NEWSRK-525 908
- NEWSRK-531 899
- NEWSRK-542 905, 910
- NEWSRK-626 899
- NLGAPL2740 232
- NLGAPL3020 232
- NLGAPL3094 233
- NLGAPL9653 233
- NLGBPL2756 233
- NPO-GD02 207
- NPO-GD04 207
- NPO-GD05 207
- NPO-HY01 207
- NPO-HY02 207
- NPO-HY03 208
- NPO-ST01 208
- NPO-TM01 208
- NPO-UT02 208
- NPO-VN01 208
- NRS527250 435
- NRS527278 435
- NSR-DY01 211
- NSR-GD01 211
- NSR-GD02 211
- NSR-GD03 210
- NSR-GD05 210
- NSR-GD06 211
- NSR-GD07 211
- NSR-GD09 210
- NSR-GD16 211
- NSR-GD24 212
- NSR-GD26 212
- NSR-GD30 212
- NSR-HY01 212
- NSR-HY02 212
- NSR-HY03 212
- NSR-HY06 212
- NSR-SK02 213
- NSR-ST01 213
- NSR-TM01 213
- NSR-TM02 210
- NSR-TM03 210
- NSR-TM05 213
- NSR-UT01 214
- NSR-UT02 214
- NSR-UT03 214
- NSR-VN01 214
- NSR-VN06 214
- NUT00236 721
- NUT15-1 719, 742
- NUT2-20 721, 819, 820, 822, 823, 825
- NUT449219420-07 721
- NUT5-32A 829
- NUT60750088 721
- NUT60752006 737, 740
- NUT60752011 721
- NUT60752149 719
- NUT6-5 721
- NUT890-58000 721
- NUT9-4 721
- NUT9-5 721
- NUT9-8 721
- NUT99-SPD 721
- NUTHNKU04 365, 401, 403
- NUT-HNKU04 397, 399, 720
- NUT-HNKU06 720
- NUT-HNS814 811
- NUT-HNSF08 720
- NUT-HNSF10 720
- NUT-HNSF12 720
- NUT-HNSNY06 738, 740
- NUT-HNSNY804 719
- NUT-HNSNY805 719
- NUT-HNSNY806 719
- NUT-HNSNY807 719
- NUT-HNSNY808 719
- NUT-HNSNY809 719
- NUT-HNSNY810 719
- NUT-HNSNY812 719
- NUT-HNSST04 720
- NUT-HNSST05 720
- NUT-HNSST06 720
- NUT-HNSST08 720
- NUT-HNSST09 720
- NUTHNSST10 811
- NUT-HNSST10 720, 814, 815
- NUT-HNSST12 720
- NUT-HNSST14 720, 817
- NUT-HNSST16 720, 811, 813, 814, 815, 817, 818
- NUT-HNU04 25, 27, 29, 719
- NUT-HNU05 719
- NUT-HNU06 719
- NUT-HNU07 719
- NUT-HNU08 719
- NUT-HNU10 719
- NUT-HNU804 719
- NUT-HNU805 719

NUT-HNU806 719
NUT-HNU807 719
NUT-HNU808 719
NUT-HNU810 719
NUT-HNUF04 720
NUT-HNUF05 720
NUT-HNUF06 720
NUT-HNUNY04 719
NUT-HNUNY05 719
NUT-HNUNY06 501
NUT-HNUNY06 719
NUT-HNUNY07 719
NUT-HNUNY08 719
NUT-HNUNY09 719
NUT-HNUNY10 719
NUT-HNUNY12 719
NUT-HNUNY804 719
NUT-HNUNY805 719
NUT-HNUNY806 719, 737, 739, 742
NUT-HNUNY807 719
NUT-HNUNY808 719, 742
NUT-HNUNY809 719
NUT-HNUNY810 719
NUT-HNUNY812 719
NUT-HNUST04 720
NUT-HNUST05 720, 733, 734, 735, 736
NUT-HNUST06 720
NUT-HNUST08 720
NUT-HNUST09 720
NUT-HNUST10 720
NUT-HNUST12 720
NUT-HNUST14 720
NUT-HNUST16 720
NUTNW221527 960
O
OAK1.13X12X28 189
OAK1.25X12X12 189
OAK1.25X12X28 189
OAK1.25X12X48 189
OAK1.25X12X48U 189
OAK1.25X12X52 189
OAK1.25X12X52U 189
OAK1.25X13X12 189
OAK1.25X13X28 189
OAK1.38X12X12 189
OAK1.38X12X28 189
OAK1.38X12X48 189
OAK1.38X12X48U 189
OAK1.38X12X52 189
OAK1.38X13X52 189
OAK1.38X14X52 189
OILIO6032 767
OILL90435 767
OILL90902-BOX 767
OLDFCA053 690, 696
OLDFXA0B1 696
OLDFXA0B3 696
OLDFXAB53 696
OLDPBNOK3 697
OPTA11DB 595
OPTA11SRB 977
OPTA54GB 595
OPTA70GB 595
OPTDH55 663
OPTDH55Y 663
OPTLP26SKB 555
OPTLP91CB 552
OPTLPL31CB 556

OPTLPL91CB 552
OPTMC53ABSB 540
OPTMCL11APG 976
OPTMCL11RPG 976
OPTMCL52AMB 540
OPTMCL52RMB 540
OPTRE35AB 603
OPTRE35RB 603
OPTST47RB 567
OPTST47ROB 567
OPTSTL101RBP 567
OPTSTL13RFB 567
OPTSTL13RFMB 567
OPTSTL13RFMTB 567
OPTSTL42RB 568
P
PAL80-1113-301 233
PALP-1404303 233
PALP-2004565 233
PALP-2020866 233
PAR670-71SG 607
PBB16-ATC 705
PBB16-ATL 705
PBB16-DSR 711
PBB16-FIC 688
PBB16-PB 704
PEN02-03 517
PEN02-10-A 515
PEN02-11-A 515
PEN02-12-A 515
PEN02-13-A 515
PEN02-30 518
PEN02-39 515
PEN02-44 515
PEN02-45 516
PEN02-46 516
PEN03-207-H 505
PEN03-207-V 505
PEN03-211-H 505
PEN03-211-V 505
PEN03-215-H 505
PEN03-215-V 505
PEN03-221-H 505
PEN03-221-V 505
PEN04-10-26-41 511
PEN04-10-56-72 511
PEN04-15-26-41 511
PEN04-15-42-57 511
PEN04-40-26-41 511
PEN04-552 507
PEN04-80-26-41 511
PEN05-300 508
PEN05-310 508
PEN05-311 508
PEN05-320 508
PEN05-330 508
PEN05-339 508
PEN06-345 510
PEN06-404 510
PEN06-410 510
PEN06-411 510
PEN07-50 676
PEN10-01 664
PEN10-01-D 664
PEN10-1300S-S 681
PEN10-1300Z-P 681
PEN10-1500S-S 681
PEN10-1900S-S 681
PEN10-1900Z-P 681
PEN60-09 444
PEN65-05 451

PEN65-06 452
PEN65-07 451
PEN70-10 186
PEN70-12 186
PEN70-14 187
PEN70-14-SPECIAL 187
PENP-1052S-SBHW-S 679
PENP-1076ALUMBH 679
PENP-1077WHTBHW-S 681
PENP-2200SS-SCR-HL 681
PET163KA-MV 543
PET163KR-MV 543
PET176-11 592
PET176-12 592
PET176-496 625
PET176KA 547
PET176KR 547
PET2954 662
PETB134-15A 600
PETB134-15R 600
PETB143-18 594
PETB150-091 579
PETB150-14 580
PETB162-093 580, 977
PETB165-10 580
PETB176-10 579
PETB176-13 579
PETB177-18 594
PETB186-13 580
PETB421-18 595
PETB421-491 625
PETB426-18 595
PETB431-491 625
PETB475A 601
PETB475R 601
PETB489A 601
PETB489R 601
PETB490A 601
PETB490R 601
PETB491A 601
PETB491R 601
PETM135A 533
PETM135R 533
PETM138A 528
PETM138R 528
PETM150C 553
PETM153C-BT2 553
PETM153C-MV 553
PETM153C-P 553
PETM163A 543
PETM163R 543
PETM171C 574
PETM176A-BT2 976
PETM176R-BT2 976
PETM189FA 544
PETM189FR 544
PETM190FA 539, 976
PETM190FA-AMP 976
PETM190FA-CLP 976
PETM190FR 539, 976
PETM190FR-AMP 976
PETM190FR-CLP 976
PETM290 977
PETM291C-BT2 550
PETM291C-BT236 550
PETM294 574
PETM350AF 559
PETM354AF-AMP 559
PETM356AF 559
PETM426A 566

- PETM435 550
- PETM436 555
- PETM814R 977
- PETM817R-7 566
- PETM818R-7 566
- PETM820R-7 561
- PETM823R-7 561
- PETM823RTL-7 561
- PETM824R 566, 977
- PETV167KA 533
- PETV167KR 533
- PETV178XA 530
- PETV178XR 530
- PHI11-262 68
- PHI11-302 67
- PHI11-315 67
- PHI11-317 67
- PHI11-338 67
- PHI11-3400 67
- PHI11-715 67
- PHI11-8115 67
- PHI11-8117 67
- PHI11-8118 67
- PHI1-1861 631
- PHI1-1862 631
- PHI1-1863 631
- PHI1-1923 632
- PHI1-1933 632
- PHI1-1962J 631
- PHI12-006 58
- PHI12-0066 58
- PHI12-008 58
- PHI12-0086 58
- PHI12-010 58
- PHI12-0100 62
- PHI12-012 63
- PHI12-0163 63
- PHI12-0167 63
- PHI12-035 41
- PHI12-038 64
- PHI1-2062 631
- PHI12-136 57
- PHI12-1366 60
- PHI12-138 57
- PHI12-206 58
- PHI12-236 57
- PHI12-4506 60
- PHI12-45061 60
- PHI12-4508 60
- PHI12-45081 60
- PHI12-4906 60
- PHI12-4908 60
- PHI12-600 64
- PHI12-64081-38 60
- PHI12-64261-38 60
- PHI12-815 41
- PHI12-820 36
- PHI12-822 36
- PHI15-042 65
- PHI15-320 613
- PHI15-326 613
- PHI15-335 606
- PHI15-336 606
- PHI15-400 613
- PHI15-410 607
- PHI15-430 607
- PHI15-600 614
- PHI15-630 607
- PHI15-710 607
- PHI15-711 618
- PHI15-720 615
- PHI15-730 607
- PHI15-740 617
- PHI15-750 616
- PHI15-752 616
- PHI15-760 616
- PHI15-762 616
- PHI15-763 616
- PHI15-768 610
- PHI15-769 610
- PHI15-770 618
- PHI15-773-1 618
- PHI15-775 610
- PHI15-788 618
- PHI15-796 617
- PHI15-830 607
- PHI15-961 608
- PHI16-125 618
- PHI16-720 614
- PHI16-722 614
- PHI16-724 614
- PHI16-7242 614
- PHI16-726 614
- PHI16-730 607
- PHI16-760 615
- PHI16-7602 615
- PHI16-7602-28 615
- PHI16-762 616
- PHI16-7622-28-1 616
- PHI16-762-28 616
- PHI16-763 616
- PHI16-7632-28 616
- PHI16-77029-28 615
- PHI16-7709-28 615
- PHI16-7729-28 616
- PHI16-775 610
- PHI16-777 610
- PHI16-779 610
- PHI16-7842 614
- PHI16-798 617
- PHI16-799 617
- PHI16-801 663
- PHI16-802 663
- PHI16-8170 611
- PHI16-822 614
- PHI16-826 614
- PHI16-8510 611
- PHI16-9510 611
- PHI17-0400 73
- PHI17-0401 73
- PHI17-103 74
- PHI17-111 71
- PHI17-116 71
- PHI17-120 71
- PHI17-125 71
- PHI17-148 71
- PHI17-1488HD 71
- PHI17-152 73
- PHI17-153 72
- PHI17-155 73
- PHI17-156 72
- PHI17-157 72
- PHI17-158 72
- PHI17-160 73
- PHI17-163 73
- PHI23-2326 606
- PHI23-2626 606
- PHI23-2628 606
- PHI23-4325 606
- PHI23-4625 606
- PHI2-402 631
- PHI24-4621 604
- PHI30-2050 604
- PHI30-2070 604
- PHI30-2071 604
- PHI30-4621 604
- PHI30-4921 604
- PHI30-9320 604
- PHI30-9620 604
- PHI30-9621 604
- PHI3-327 631
- PHI41-0213 604
- PHI41-3040 620
- PHI51-18312 530
- PHI51-18313 530
- PHI51-2211 574
- PHI51-34000 580
- PHI51-34302 547
- PHI51-34303 547
- PHI51-34751 550
- PHI51-40102 566
- PHI51-60303 530
- PHI51-60312 562
- PHI51-60920 580
- PHI51-96310 625
- PHI5-45124 632
- PHI5-46271 632
- PHI5-536 632
- PHI60-2520 611
- PHI9-150 606
- PHI9-151 606
- PHT6001540CBR 67
- PIN-CP2010 722
- PIN-CP2011 722, 819, 825, 826
- PIN-CP2012 722
- PIN-CP2013 722
- PIN-CP2020 722
- PIN-CP2022 722
- PIN-CP4010 722
- PIN-CP4012 722
- PIN-CP6012 722
- PIN-CP6020 722
- PLT-GD01 250
- PLT-HY01 250
- PNL1-1 251
- PNL1-10 251
- PNL1-13 251
- PNL1-16 251
- PNL1-17A 251
- PNL1-19 251
- PNL1-31 206
- PNL1-32 206
- PNL1-33 251
- PNL1-34 251
- PNL1-36 251
- PNL1-4 251
- PNL1-46 251
- PNL1-48 206
- PNL1-7 251
- PNL1-8 251
- PNL2-11 249
- PNL2-14 249
- PNL2-15 249
- PNL2-17 249
- PNL2-19 249
- PNL2-2 249
- PNL2-25 249
- PNL2-4 249
- PNL2-42 249
- PNL2-5 249

PNL2-52 249
PNL2-6 249, 426, 427, 428
PNL2-7 249
PNL7-1 426, 427, 428
PNL8-19 203
PNL99-49 251
PNL-CC02 972
PNL-CC03 972
PNL-CC05 972
PNL-CC10 972
PNL-CC11 973
PNL-CC12 973
PNL-CC13 973
PNL-CC14 973
PNL-CC15 973
PNL-CC18 973
PNL-GD01 252
PNL-GD02 252
PNL-GD03 252
PNL-GD32 250
PNL-HY01 250
PNL-HY04 250
PNL-HYB1 250
PNL-MA01 250
PNL-ST01 250
PNL-ST05 250
PNL-UN01 426, 427, 428
PNL-UT01 252
PNL-UT02 252
PNR202032 690
PNR202132 690
PNR300016 695
PNR4424 712
PNR4620 693
PNR5216 688
PNR5301 687, 688
PNR5315 687, 688
PNR5632 688, 695
PNR7005 698
PNR7009 702
PNR7011 691
PNR7012 691
PNT1-1 709
PNT11-13 709
PNT11-20 710
PNT11-22 711
PNT11-23 709
PNT11-26 710
PNT11-27 710
PNT11-28 710
PNT11-29 710
PNT11-30 710
PNT11-33 710
PNT11-5 709
PNT1-2 711
PNT12-3 710
PNT13-10 709
PNT13-11 710
PNT13-12 709
PNT13-22 710
PNT14-10 710
PNT20-047 712
PNT3-1 710
PNT3-14 709
PNT3-15 712
PNT3-20 710
PNT3-21 711
PNT4-11 710
PNT620-1449 710
PNT7-17 709

PNT7-19 711
PNT7-30 711
PNT7-32 710
PNT7-34 710
PNT9-6 710
PNTSAMPLES 764
PNTZ-64KIT 763
POL817C 229
POPAD610BS 726
POPAD610BSLF 726
POPAD612ABS 726
POPAD612BSLF 726
POPAD62AH 726
POPAD62H 726
POPAD64ABS 726
POPAD64AH 726
POPAD64BS 726
POPAD64H 726
POPAD66ABS 726
POPAD66ABSLF 726
POPAD66AH 726
POPAD66BS 726
POPAD66BSLF 726
POPAD66H 726
POPAD68BS 726
POPAD68BSLF 726
POPAD68H 726
POPAD812ABS 726
POPADSD86BS 726
POPADSD88BS 726
POPXAD810BS 726
POPXAD812BS 726
POPXAD816BS 726
POPXAD84BS 726
POPXAD86BS 726
POPXAD88BS 726
PRC230 638
PRC250 638
PRE113 358
PRE113A 358
PRE113B 358
PRE123-12 355
PRE127-7 355
PRE14000 775
PRE159 359
PRE20 355
PRE200 355
PRE2000PK 357
PRE2072A 359
PRE2075K 357
PRE207S 355
PRE2200 357
PRE2200ELL 357
PRE2200L 357
PRE2200LNS 357
PRE2200PK-ELL 357
PRE266 359
PRE270 357
PRE271 359
PRE281 123
PRE297 359
PRE300 355
PRE348 356
PRE348A 356
PRE370 357
PRE411 356
PRE437 356
PRE442 359
PRE448 360
PRE448A 360

PRE47 356
PRE581BB 359
PRE620 523
PRE623 523
PRE677A 523
PRE700P-15-726 523
PRE700P-15-729 523
PRE700PY15-726 523
PRE746 523
PRE800P-15-829 523
PRG37000 81
PRG37001 81
PRM401-PP 764
PRM401-PP-TOP 764
PRMAURAUTHBANNER 760
PRMFPBANNER 760
PRO16X20BAG 760
PRO4X6BAG 760
PRO6X8BAG 760
PROAD-030P0005 40
PROAD-065225 38
PROAD-065624-AD-IP 38
PROAD-104358 38
PROAD-104358PG 38
PROAD-107695 41
PROAD-107794 39
PROAD-107796PG 39
PROAD-107800 40
PROAD-109495 39
PROAD-109578 39
PROAD-109869 41
PROAD-5004049 40
PROAD-5004341 40
PROAD-5004479 40
PROAD-5005037 40
PROAD-5005037K 40
PROAD-50085414PG 39
PROAD-800350 40
PROAD-800404 40
PROAD-950011 39
PROAD-950068 39
PROAD-IP-065612 38
PROAD-IS-801266 38
PROAD-K022105 41
PROADP1311 120
PROADP1369 120
PROADP1370 120
PROADP1777 120
PROADP1777-1 120
PROAD-R950013 41
PROAD-R950015 39
PROAD-R950017 41
PROAD-R955205 38
PROAD-R955300 38
PROAD-RL3511ER-9 41
PROAL1512B 67
PROAL1512R 67
PROAL1512S 67
PROAL1540B 67
PROAL1540R 67
PROAL1540S 67
PROANGLE1 321
PROAS8050 793
PROAS8091 793
PROAS8204 793
PROAS8708 793
PROAS8709 793
PROAS8713 793
PROAS8729 794
PROAS8755 794

PROAS9069	794	PROBF13-5	36	PROBF2-83	52
PROAS9082	794	PROBF1-6	48	PROBF2-85	52
PROAS9265	794	PROBF1-8	48	PROBF2-87	52
PROAS9270	794	PROBF1-9	49	PROBF2-89	52
PROAS9422	794	PROBF2-1	50	PROBF2-9	50
PROAS9580	794	PROBF2-10	50	PROBF2-91	52
PROAS9648	795	PROBF2-11	51	PROBF2-92	52
PROAS9780	795	PROBF2-112	52	PROBF2-94	52
PROAS9781	795	PROBF2-113	52	PROBF3-103	46
PROAS9807	795	PROBF2-116	52	PROBF3-122	46
PROAS9978	795	PROBF2-12	51	PROBF3-13	44
PROAXA71NME67-001	113	PROBF2-126	52	PROBF3-15	44
PROAXA71QLE67-001	113	PROBF2-127	52	PROBF3-16	44
PROAXA77QLE67-001	113	PROBF2-13	51	PROBF3-168	46
PROAXL71NME67	112	PROBF2-131	52	PROBF3-169	46
PROAXL71NSE67	112	PROBF2-134	52	PROBF3-17	44
PROAXL71QLE67	113	PROBF2-137	52	PROBF3-170	46
PROAXL77PHLE67	112	PROBF2-14	51	PROBF3-171	46
PROAXL77QLE67	113	PROBF2-146	52	PROBF3-172	46
PROAXL-NUTKIT	117	PROBF2-147	52	PROBF3-179	46
PROBANNER	760	PROBF2-15	51	PROBF3-18	44
PROBARREL1	763	PROBF2-152	52	PROBF3-180	46
PROBC-1624D	119	PROBF2-153	52	PROBF3-182	46
PROBC-1824D	119	PROBF2-156	52	PROBF3-183	46
PROBC-2024D	119	PROBF2-159	52	PROBF3-184	46
PROBC-3030	125	PROBF2-162	52	PROBF3-185	47
PROBC-3030C	125	PROBF2-164	52	PROBF3-186	47
PROBC-3030LS	125	PROBF2-165	52	PROBF3-187	47
PROBC-CLB01	128	PROBF2-167	52	PROBF3-188	47
PROBC-CLG01	128	PROBF2-17	51	PROBF3-19	44
PROBC-CLG02	128	PROBF2-174	53	PROBF3-190	47
PROBC-CLG03	128	PROBF2-177	53	PROBF3-191	47
PROBC-CLH01	128	PROBF2-178	53	PROBF3-192	47
PROBC-CLH03	128	PROBF2-179	53	PROBF3-193	47
PROBC-CLM01	128	PROBF2-180	53	PROBF3-194	47
PROBC-CLM02	128	PROBF2-19	51	PROBF3-195	47
PROBC-CLPIN1	128	PROBF2-2	50	PROBF3-196	47
PROBCP-3030K	123	PROBF2-21	51	PROBF3-197	47
PROBCP-3030K-B	123	PROBF2-23	51	PROBF3-198	47
PROBCP-3030KLS	123	PROBF2-24	51	PROBF3-20	44
PROBCP-3030KLS-B	123	PROBF2-25	51	PROBF3-201	47
PROBD16.5X7BM	935	PROBF2-26	51	PROBF3-202	47
PROBD16.5X7BMI	935	PROBF2-27	51	PROBF3-203	47
PROBD16.5X7BML	935	PROBF2-3	50	PROBF3-205	47
PROBD16.5X7BMLI	935	PROBF2-30	51	PROBF3-206	47
PROBF1-11	49	PROBF2-31	51	PROBF3-208	47
PROBF11-17	56	PROBF2-36	51	PROBF3-21	44
PROBF1-12	49	PROBF2-37	51	PROBF3-22	44
PROBF1-13	49	PROBF2-39	51	PROBF3-23	44
PROBF1-17	49	PROBF2-4	50	PROBF3-24	44
PROBF1-18	49	PROBF2-46	51	PROBF3-25	44
PROBF1-2	48	PROBF2-47	51	PROBF3-26	44
PROBF1-21	49	PROBF2-49	51	PROBF3-27	44
PROBF1-22	49	PROBF2-5	50	PROBF3-33	45
PROBF1-23	49	PROBF2-52	51	PROBF3-34	45
PROBF1-26	49	PROBF2-53	51	PROBF3-36	45
PROBF1-28	49	PROBF2-55	51	PROBF3-37	45
PROBF1-29	50	PROBF2-57	51	PROBF3-39	45
PROBF12-92	56	PROBF2-6	50	PROBF3-41	45
PROBF13-1	36	PROBF2-60	51	PROBF3-42	45
PROBF1-31	50	PROBF2-61	51	PROBF3-43	45
PROBF13-15	36	PROBF2-63	51	PROBF3-45	45
PROBF13-16	36	PROBF2-66	52	PROBF3-46	45
PROBF13-17	36	PROBF2-69	52	PROBF3-47	45
PROBF13-18	36	PROBF2-7	50	PROBF3-48	45
PROBF13-2	36	PROBF2-76	52	PROBF3-49	45
PROBF13-3	36	PROBF2-77	52	PROBF3-5	44
PROBF1-33	50	PROBF2-79	52	PROBF3-50	45
PROBF13-4	36	PROBF2-8	50	PROBF3-57	45
PROBF1-34	50	PROBF2-82	52	PROBF3-58	45

PROBF3-59	45	PROBH3838S36	69
PROBF3-6	44	PROBH3838S40	69
PROBF3-61	45	PROBH3838S48	69
PROBF3-63	45	PROBH3838S60	69
PROBF3-64	45	PROBIN12X12	760
PROBF3-66	45	PROBIN12X4	760
PROBF3-67	45	PROBIN12X4X4-CORR	761
PROBF3-68	45	PROBIN12X6	760
PROBF3-69	45	PROBIN12X6X4-CORR	761
PROBF3-7	44	PROBIN12X8	760
PROBF3-70	46	PROBIN12X8X4-CORR	761
PROBF3-71	46	PROBIN18X12	760
PROBF3-73	46	PROBIN18X4	760
PROBF3-75	45	PROBIN18X4X4-CORR	761
PROBF3-76	45	PROBIN18X6	760
PROBF3-78	45	PROBIN18X6X4-CORR	761
PROBF3-8	44	PROBIN18X8	760
PROBF3-80	45	PROBIN18X8X4-CORR	761
PROBF3-82	45	PROBKE1308E20PR	138
PROBF3-84	45	PROBKE1308E20STD	138
PROBF3-86	46	PROBKE1308E23PR	138
PROBF3-88	46	PROBKE1308E23STD	138
PROBF3-89	46	PROBKE1308E25HDC	138
PROBF3-9	44	PROBKE1308Q20PR	139
PROBF3-90	46	PROBKE1308Q20STD	139
PROBF3-91	46	PROBKE1308Q23PR	139
PROBF3-92	46	PROBKE1308Q23STD	139
PROBF3-94	46	PROBKE1308Q25HDC	139
PROBF3-96	46	PROBKE1443E20PR	139
PROBF4-1	42	PROBKE1443E20STD	139
PROBF4-10	42	PROBKE1443E23PR	139
PROBF4-13	43	PROBKE1443E23STD	139
PROBF4-14	43	PROBKE1443E25HDC	139
PROBF4-15	43	PROBKE4311E20PR	141
PROBF4-16	43	PROBKE4311E20STD	141
PROBF4-17	43	PROBKE4311E23PR	141
PROBF4-18	43	PROBKE4311E23STD	141
PROBF4-19	43	PROBKE4311E25HDC	141
PROBF4-20	43	PROBKE4515Q20PR	142
PROBF4-21	43	PROBKE4515Q20STD	142
PROBF4-22	43	PROBKE4515Q23PR	142
PROBF4-25	43	PROBKE4515Q23STD	142
PROBF4-3	42	PROBKE4515Q25HDC	142
PROBF4-30	43	PROBKE4515X20PR	142
PROBF4-31	43	PROBKE4515X20STD	142
PROBF4-38	43	PROBKE4515X23PR	142
PROBF4-39	43	PROBKE4515X23STD	142
PROBF4-40	43	PROBKE4515X25HDC	142
PROBF4-6	42	PROBKE4551Q20PR	143
PROBF4-8	43	PROBKE4551Q20STD	143
PROBF5-14	42	PROBKE4551Q23PR	143
PROBF5-43	42	PROBKE4551Q23STD	143
PROBF6-10	54	PROBKE4551Q25HDC	143
PROBF6-11	54	PROBKE4692Q220PR	138
PROBF6-118	55	PROBKE4692Q220STD	138
PROBF6-121	55	PROBKE4692Q223PR	138
PROBF6-122	55	PROBKE4692Q223STD	138
PROBF6-13	54	PROBKE4692Q225HDC	138
PROBF6-14	54	PROBKE4702Q20PR	140
PROBF6-15	54	PROBKE4702Q20STD	140
PROBF6-16	54	PROBKE4702Q23PR	140
PROBF6-17	54	PROBKE4702Q23STD	140
PROBF6-18	54	PROBKE4702Q25HDC	140
PROBF6-27	54	PROBKE4707Q20PR	143
PROBF6-3	54	PROBKE4707Q20STD	143
PROBF6-32	54	PROBKE4707Q23PR	143
PROBF6-33	54	PROBKE4707Q23STD	143
PROBF6-34	54	PROBKE4707Q23TFT	143
PROBF6-35	54	PROBKE4707Q25HDC	143
PROBF6-36	54	PROBKE4709E220PR	144
PROBF6-37	54		
PROBF6-38	54		
PROBF6-39	54		
PROBF6-4	54		
PROBF6-40	54		
PROBF6-41	54		
PROBF6-52	55		
PROBF6-53	55		
PROBF6-56	55		
PROBF6-59	55		
PROBF6-6	54		
PROBF6-60	55		
PROBF6-61	55		
PROBF6-63	55		
PROBF6-64	55		
PROBF6-65	55		
PROBF6-69	55		
PROBF6-7	54		
PROBF6-71	55		
PROBF6-85	55		
PROBF6-9	54		
PROBF6-92	55		
PROBF8-183	56		
PROBFBIN-ONLY	761		
PROBFBIN-STAND	761		
PROBFCATALOG	762		
PROBFWCHART	762		
PROBH1238F16	70		
PROBH1238F20	70		
PROBH1238F24	70		
PROBH1238F28	70		
PROBH1238F30	70		
PROBH1238F32	70		
PROBH1238F36	70		
PROBH1238F42	70		
PROBH1238F44	70		
PROBH1238F46	70		
PROBH1238F48	70		
PROBH1238F54	70		
PROBH1238F60	70		
PROBH1238F72	70		
PROBH1238S18	70		
PROBH1238S20	70		
PROBH1238S22	70		
PROBH1238S24	70		
PROBH1238S26	70		
PROBH1238S28	70		
PROBH1238S30	70		
PROBH1238S32	70		
PROBH1238S34	70		
PROBH1238S36	70		
PROBH1238S38	70		
PROBH1238S40	70		
PROBH1238S42	70		
PROBH1238S44	70		
PROBH1238S46	70		
PROBH1238S48	70		
PROBH1238S54	70		
PROBH1238S56	70		
PROBH1238S60	70		
PROBH1238S72	70		
PROBH3838F20	69		
PROBH3838F24	69		
PROBH3838F28	69		
PROBH3838F30	69		
PROBH3838F36	69		
PROBH3838F44	69		
PROBH3838S24	69		
PROBH3838S30	69		
PROBH3838S32	69		

Index

PROBKE4709E220STD 144
 PROBKE4709E223PR 144
 PROBKE4709E223STD 144
 PROBKE4709E225HDC 144
 PROBKE4710Q20PR 140
 PROBKE4710Q20STD 140
 PROBKE4710Q23PR 140
 PROBKE4710Q23STD 140
 PROBKE4710Q25HDC 140
 PROBKE4711Q20PR 144
 PROBKE4711Q20STD 144
 PROBKE4711Q23PR 144
 PROBKE4711Q23STD 144
 PROBKE4711Q25HDC 144
 PROBKE4715Q20PR 145
 PROBKE4715Q20STD 145
 PROBKE4715Q23PR 145
 PROBKE4715Q23STD 145
 PROBKE4715Q25HDC 145
 PROBKE4718Q20PR 145
 PROBKE4718Q20STD 145
 PROBKE4718Q23PR 145
 PROBKE4718Q23STD 145
 PROBKE4718Q25HDC 145
 PROBKN1308E20PR 138
 PROBKN1308E20STD 138
 PROBKN1308E23PR 138
 PROBKN1308E23STD 138
 PROBKN1308Q20PR 139
 PROBKN1308Q20STD 139
 PROBKN1308Q23PR 139
 PROBKN1308Q23STD 139
 PROBKN1443E20PR 139
 PROBKN1443E20STD 139
 PROBKN1443E23PR 139
 PROBKN1443E23STD 139
 PROBKN4311E20PR 141
 PROBKN4311E20STD 141
 PROBKN4311E23PR 141
 PROBKN4311E23STD 141
 PROBKN4515Q20PR 142
 PROBKN4515Q20STD 142
 PROBKN4515Q23PR 142
 PROBKN4515Q23STD 142
 PROBKN4515X20PR 142
 PROBKN4515X20STD 142
 PROBKN4515X23PR 142
 PROBKN4515X23STD 142
 PROBKN4551Q20PR 143
 PROBKN4551Q20STD 143
 PROBKN4551Q23PR 143
 PROBKN4551Q23STD 143
 PROBKN4692Q220PR 138
 PROBKN4692Q220STD 138
 PROBKN4692Q223PR 138
 PROBKN4692Q223STD 138
 PROBKN4702Q20PR 140
 PROBKN4702Q20STD 140
 PROBKN4702Q23PR 140
 PROBKN4702Q23STD 140
 PROBKN4707Q20PR 143
 PROBKN4707Q20STD 143
 PROBKN4707Q23PR 143
 PROBKN4707Q23STD 143
 PROBKN4709E220PR 144
 PROBKN4709E220STD 144
 PROBKN4709E223PR 144
 PROBKN4709E223STD 144
 PROBKN4709E225HDC 144
 PROBSE4311E20PR 141
 PROBSE4311E20STD 141
 PROBSE4311E23PR 141
 PROBSE4311E23STD 141
 PROBSE4515Q20PR 142
 PROBSE4515Q20STD 142
 PROBSE4515Q23PR 142
 PROBSE4515Q23STD 142
 PROBSE4515Q25HDC 142
 PROBSE4515X20PR 142
 PROBSE4515X20STD 142
 PROBSE4515X23PR 142
 PROBSE4515X23STD 142
 PROBSE4515X25HDC 142
 PROBSE4551Q20PR 143
 PROBSE4551Q20STD 143
 PROBSE4551Q23PR 143
 PROBSE4551Q23STD 143
 PROBSE4551Q25HDC 143
 PROBSE4591DX23PR 146
 PROBSE4591SF23PR 146
 PROBSE4692Q220PR 138
 PROBSE4692Q220STD 138
 PROBSE4692Q223PR 138
 PROBSE4692Q223STD 138
 PROBSE4692Q225HDC 138
 PROBSE4702Q20PR 140
 PROBSE4702Q20STD 140
 PROBSE4702Q23PR 140
 PROBSE4702Q23STD 140
 PROBSE4702Q25HDC 140
 PROBSE4707Q20PR 143
 PROBSE4707Q20STD 143
 PROBSE4707Q23HD 146
 PROBSE4707Q23PR 143
 PROBSE4707Q23STD 143
 PROBSE4707Q25HDC 143
 PROBSE4709E20PR 146
 PROBSE4709E220PR 144
 PROBSE4709E220STD 144
 PROBSE4709E223PR 144
 PROBSE4709E223STD 144
 PROBSE4709E225HDC 144
 PROBSE4709E23PR 146
 PROBSE4710Q20PR 140
 PROBSE4710Q20STD 140
 PROBSE4710Q23PR 140
 PROBSE4710Q23STD 140
 PROBSE4710Q25HDC 140
 PROBSE4711Q20PR 144
 PROBSE4711Q20STD 144
 PROBSE4711Q23PR 144
 PROBSE4711Q23STD 144
 PROBSE4711Q25HDC 144
 PROBSE4715Q20PR 145
 PROBSE4715Q20STD 145
 PROBSE4715Q23PR 145
 PROBSE4715Q23STD 145
 PROBSE4715Q25HDC 145
 PROBSE4718Q20PR 145
 PROBSE4718Q20STD 145
 PROBSE4718Q23PR 145
 PROBSE4718Q23STD 145
 PROBSE4718Q25HDC 145
 PROBSE4720Q23PR 146
 PROBSE4726E223PR 146
 PROBSN1308E20PR 138
 PROBSN1308E20STD 138
 PROBSN1308E23PR 138
 PROBSN1308E23STD 138
 PROBSN1308Q20PR 139

PROBKN4710Q23PR 140
 PROBKN4710Q23STD 140
 PROBKN4711Q20PR 144
 PROBKN4711Q20STD 144
 PROBKN4711Q23PR 144
 PROBKN4711Q23STD 144
 PROBKN4715Q20PR 145
 PROBKN4715Q20STD 145
 PROBKN4715Q23PR 145
 PROBKN4715Q23STD 145
 PROBKN4718Q20PR 145
 PROBKN4718Q20STD 145
 PROBKN4718Q23PR 145
 PROBKN4718Q23STD 145
 PROBR3720 932
 PROBR3782 932
 PROBR45220 932
 PROBR45280 932
 PROBR552A 932
 PROBR555S 932
 PROBR563 932
 PROBR567 932
 PROBR572 932
 PROBR580 932
 PROBR582 932
 PROBR592A 932
 PROBR594A 932
 PROBR6420 932
 PROBR6461A 932
 PROBR653 932
 PROBR663 932
 PROBRHM212011 932
 PROBRHM212047 932
 PROBRHM212049 932
 PROBRHM218210 932
 PROBRHM218248 932
 PROBRHM518410 932
 PROBRHM518445 932
 PROBRSET401 932
 PROBRSET402 932
 PROBRSET403 932
 PROBRSET405 932
 PROBRSET406 932
 PROBRSET409 932
 PROBRSET412 932
 PROBRSET413 932
 PROBRSET414 932
 PROBRSET415 932
 PROBRSET423 932
 PROBRSET424 932
 PROBRSET425 932
 PROBRSET427 932
 PROBSE1308E20PR 138
 PROBSE1308E20STD 138
 PROBSE1308E23PR 138
 PROBSE1308E23STD 138
 PROBSE1308E25HDC 138
 PROBSE1308Q20PR 139
 PROBSE1308Q20STD 139
 PROBSE1308Q23PR 139
 PROBSE1308Q23STD 139
 PROBSE1308Q25HDC 139
 PROBSE1443E20PR 139
 PROBSE1443E20STD 139
 PROBSE1443E23PR 139
 PROBSE1443E23STD 139
 PROBSE1443E25HDC 139
 PROBSE1477TMHS 146
 PROBSE4311E20PR 141
 PROBSE4311E20STD 141

PROBSE4311E23PR 141
 PROBSE4311E23STD 141
 PROBSE4311E25HDC 141
 PROBSE4515Q20PR 142
 PROBSE4515Q20STD 142
 PROBSE4515Q23PR 142
 PROBSE4515Q23STD 142
 PROBSE4515Q25HDC 142
 PROBSE4515X20PR 142
 PROBSE4515X20STD 142
 PROBSE4515X23PR 142
 PROBSE4515X23STD 142
 PROBSE4515X25HDC 142
 PROBSE4551Q20PR 143
 PROBSE4551Q20STD 143
 PROBSE4551Q23PR 143
 PROBSE4551Q23STD 143
 PROBSE4551Q25HDC 143
 PROBSE4591DX23PR 146
 PROBSE4591SF23PR 146
 PROBSE4692Q220PR 138
 PROBSE4692Q220STD 138
 PROBSE4692Q223PR 138
 PROBSE4692Q223STD 138
 PROBSE4692Q225HDC 138
 PROBSE4702Q20PR 140
 PROBSE4702Q20STD 140
 PROBSE4702Q23PR 140
 PROBSE4702Q23STD 140
 PROBSE4702Q25HDC 140
 PROBSE4707Q20PR 143
 PROBSE4707Q20STD 143
 PROBSE4707Q23HD 146
 PROBSE4707Q23PR 143
 PROBSE4707Q23STD 143
 PROBSE4707Q25HDC 143
 PROBSE4709E20PR 146
 PROBSE4709E220PR 144
 PROBSE4709E220STD 144
 PROBSE4709E223PR 144
 PROBSE4709E223STD 144
 PROBSE4709E225HDC 144
 PROBSE4709E23PR 146
 PROBSE4710Q20PR 140
 PROBSE4710Q20STD 140
 PROBSE4710Q23PR 140
 PROBSE4710Q23STD 140
 PROBSE4710Q25HDC 140
 PROBSE4711Q20PR 144
 PROBSE4711Q20STD 144
 PROBSE4711Q23PR 144
 PROBSE4711Q23STD 144
 PROBSE4711Q25HDC 144
 PROBSE4715Q20PR 145
 PROBSE4715Q20STD 145
 PROBSE4715Q23PR 145
 PROBSE4715Q23STD 145
 PROBSE4715Q25HDC 145
 PROBSE4718Q20PR 145
 PROBSE4718Q20STD 145
 PROBSE4718Q23PR 145
 PROBSE4718Q23STD 145
 PROBSE4718Q25HDC 145
 PROBSE4720Q23PR 146
 PROBSE4726E223PR 146
 PROBSN1308E20PR 138
 PROBSN1308E20STD 138
 PROBSN1308E23PR 138
 PROBSN1308E23STD 138
 PROBSN1308Q20PR 139

IDX

Index

- PROBSN1308Q20STD 139
- PROBSN1308Q23PR 139
- PROBSN1308Q23STD 139
- PROBSN1443E20PR 139
- PROBSN1443E20STD 139
- PROBSN1443E23PR 139
- PROBSN1443E23STD 139
- PROBSN4311E20PR 141
- PROBSN4311E20STD 141
- PROBSN4311E23PR 141
- PROBSN4311E23STD 141
- PROBSN4515Q20PR 142
- PROBSN4515Q20STD 142
- PROBSN4515Q23PR 142
- PROBSN4515Q23STD 142
- PROBSN4515X20PR 142
- PROBSN4515X20STD 142
- PROBSN4515X23PR 142
- PROBSN4515X23STD 142
- PROBSN4551Q20PR 143
- PROBSN4551Q20STD 143
- PROBSN4551Q23PR 143
- PROBSN4551Q23STD 143
- PROBSN4692Q220PR 138
- PROBSN4692Q220STD 138
- PROBSN4692Q223PR 138
- PROBSN4692Q223STD 138
- PROBSN4702Q20PR 140
- PROBSN4702Q20STD 140
- PROBSN4702Q23PR 140
- PROBSN4702Q23STD 140
- PROBSN4707Q20PR 143
- PROBSN4707Q20STD 143
- PROBSN4707Q23PR 143
- PROBSN4707Q23STD 143
- PROBSN4709E220PR 144
- PROBSN4709E220STD 144
- PROBSN4709E223PR 144
- PROBSN4709E223STD 144
- PROBSN4710Q20PR 140
- PROBSN4710Q20STD 140
- PROBSN4710Q23PR 140
- PROBSN4710Q23STD 140
- PROBSN4711Q20PR 144
- PROBSN4711Q20STD 144
- PROBSN4711Q23PR 144
- PROBSN4711Q23STD 144
- PROBSN4715Q20PR 145
- PROBSN4715Q20STD 145
- PROBSN4715Q23PR 145
- PROBSN4715Q23STD 145
- PROBSN4718Q20PR 145
- PROBSN4718Q20STD 145
- PROBSN4718Q23PR 145
- PROBSN4718Q23STD 145
- PROBSWCHART 762
- PROBUCKETDSPKIT 763
- PROCATALOG 762
- PROCC-STRAP1 326
- PROCC-STRAP10 323
- PROCC-STRAP12 323
- PROCC-STRAP2 326
- PROCC-STRAP3 323
- PROCC-STRAP4 323
- PROCC-STRAP6 323
- PROCC-STRAP7 323
- PROCC-STRAP8 323
- PROCC-STRAP9 323
- PROCC-WINCH1 330
- PROCC-WINCH2 330
- PROCC-WINCH3 330
- PROCC-WINCH4 330
- PROCC-WINCH5 330
- PROCC-WINCH6 330
- PROCC-WINCH7 330
- PROCH-BC01 692
- PROCH-BC02 692
- PROCH-BC03 692
- PROCH-BC04 693
- PROCH-GC01 685
- PROCH-LU01 691
- PROCH-LU02 704
- PROCHM-64KIT 763
- PROD7511.598TINR 367
- PROD7511.598TIW 367
- PROD7511.598TIWNR 367
- PROD751198TB 367
- PROD751198TBW 367
- PROD751198TI 367
- PROD751198TINR 367
- PROD751198TIW 367
- PROD751198TIWNR 367
- PROD751298TB 367
- PROD751298TBW 367
- PROD751298TI 367
- PROD751298TINR 367
- PROD751298TIW 367
- PROD751298TIWNR 367
- PROD751398TB 367
- PROD751398TBW 367
- PROD751398TI 367
- PROD751398TIW 367
- PROD7515.598TBNR 367
- PROD751598TB 367
- PROD751598TBW 365, 367
- PROD751598TI 367
- PROD751598TINR 367
- PROD751598TIW 365, 367
- PROD751598TIWNR 367
- PROD751798TTW 365
- PROD90100L 366
- PROD90100L-FM 366
- PROD90100L-PPW 366
- PROD9090L 366
- PROD9090L-FM 366
- PROD9090L-PPW 366
- PROD96100L 366
- PROD98100L 366
- PROD98100L-FM 366
- PROD98100L-PPW 366
- PROD98105L 366
- PROD98105L-FM 366
- PROD98105L-PPW 366
- PROD98107L 366
- PROD98107L-FM 366
- PROD98107L-PPW 366
- PROD98107L-PPWFM 366
- PROD98112L 366
- PROD98112L-FMPPW 366
- PRODECAL0001 363
- PRODECAL0002 363
- PROEL1212B 604
- PROEL1212BM 604
- PROEL1512B 604
- PROEL1512BM 604
- PROEL1512G 604
- PROEL1512GM 604
- PROEL1548B 604
- PROEL1548BM 604
- PROEL1548G 604
- PROEL1548GM 604
- PROEL801544 18
- PROEL955335 18
- PROEL955342 18
- PROEL955458 19
- PROELPLUG7WAY 607
- PROELSOCKET7WAY 615
- PROEMB SIGNALU 763
- PROF5-516 728
- PROF5-516B 728
- PROF5-521 728
- PROF5-521B 728
- PROF5-527 728
- PROF5-527B 728
- PROF5-538 728
- PROF5-538B 728
- PROF5-543 728
- PROF5-543B 728
- PROF5-549 728
- PROF5-549B 728
- PROF5-560 728
- PROF5-560B 728
- PROF5-580 728
- PROF5-580B 728
- PROF5-603 728
- PROF5-603B 728
- PROF5-635 728
- PROF5-640 728
- PROF5-640B 728
- PROF5-646 728
- PROF5-651 728
- PROF5-651B 728
- PROF5-662 728
- PROF5-662B 728
- PROF5-668 728
- PROF5-668B 728
- PROF5-673 728
- PROF5-673B 728
- PROF5-684B 728
- PROF5-690 728
- PROF5-690B 728
- PROF5-691 728
- PROFACATALOG 762
- PROFITCAT2016 762
- PROGH1136902662 64
- PROGH209-313-12 65
- PROGH209-371 65
- PROGH209-372 65
- PROGH5330A 58
- PROGH5331A 58
- PROGH5332A 58
- PROGH5336 59
- PROGH5336-45 60
- PROGH5337 59
- PROGH5337-45 60
- PROGH5345 62
- PROGH7422D 65
- PROGH7561 65
- PROHOSERACK 763
- PROHUB-00130LT 937
- PROHUB-00130T 937
- PROHUB-00133LT 937
- PROHUB-00133T 937
- PROHUB-01025LT 937
- PROHUB-01025T 937
- PROHUB-01043LT 937
- PROHUB-01043T 937
- PROHUB-13237 938
- PROK51PLT 504
- PROK51PLT-1 504

- PROK51PLT-2 504
- PROKP-T2 352
- PROKP-T3 352
- PROKP-T4 352
- PROKP-T5 352
- PROKP-X2-1.9 352
- PROKP-X2-2.4 352
- PROKP-X2-3.6 352
- PROKP-X3-2.4 352
- PROKP-X4-2.4 352
- PROKP-X4-3.6 352
- PROLED20-8A 540
- PROLED20-8ABH 526
- PROLED20-8ACL 540
- PROLED20-8R 540
- PROLED20-8RBH 526
- PROLED20-8RCL 540
- PROLED25-10A 544
- PROLED25-10ABH 526
- PROLED25-10ACL 544
- PROLED25-10R 544
- PROLED25-10RBH 526
- PROLED25-10RCL 544
- PROLED25-4A 544
- PROLED25-4R 544
- PROLED2612-1A 533
- PROLED2612-1R 533
- PROLED3912-2A 533
- PROLED3912-2R 533
- PROLED40-18A 567
- PROLED40-18ACL 567
- PROLED40-18R 567
- PROLED40-18RCL 567
- PROLED4020-2A 528
- PROLED4020-2R 528
- PROLED44-10C 574
- PROLED46-21RA 558
- PROLED6020-3A 533
- PROLED6020-3R 533
- PROLEDOVL-10C 574
- PROLEDOVL-20A 562
- PROLEDOVL-20ACL 562
- PROLEDOVL-20R 562
- PROLEDOVL-20RCL 562
- PROLG100G-17H 498, 504
- PROLG100G-17H-1 498, 504
- PROLG100G-17H-2 498, 504
- PROLG100T1-17H 498, 504
- PROLG100T1-17H-1 498, 504
- PROLG100T1-17H-2 498, 504
- PROLG100T1-17J 504
- PROLG100T1-17J-1 504
- PROLG100T1-17J-2 504
- PROLG100T-17H 498, 504
- PROLG100T-17H-1 498, 504
- PROLG100T-17H-2 498, 504
- PROLG100T-17J 504
- PROLG100T-17J-1 504
- PROLG100T-17J-2 504
- PROLG100T18-17H 504, 975
- PROLG100T18-17H-1 504, 975
- PROLG100T18-17H-2 504, 975
- PROLG100T18-19H 975
- PROLG100T18-19H-1 975
- PROLG100T18-19H-2 975
- PROLG101T1-17J 504
- PROLG101T1-17J-1 504
- PROLG101T1-17J-2 504
- PROLG101T-17J 504
- PROLG101T-17J-1 504
- PROLG101T-17J-2 504
- PROLG-AX01 510
- PROLG-AX02 510
- PROLG-AX02HD 510
- PROLG-AX03 510, 975
- PROLG-AX04 510
- PROLG-AX05 510
- PROLG-BL01 516
- PROLG-BL02 516
- PROLG-BL04 516
- PROLG-BL06 516
- PROLG-BL07 516
- PROLG-BL08 516
- PROLG-BR26-41 511
- PROLG-BR26-41HD 511
- PROLG-BR26-41MD 511
- PROLG-BR26-41XHD 511
- PROLG-BR42-57 511
- PROLG-BR42-57MD 511
- PROLG-BR56-72 511
- PROLG-BR56-72MD 511
- PROLG-BR56-72XHD 511
- PROLG-CR07H 505
- PROLG-CR07V 505
- PROLG-CR11H 505
- PROLG-CR11V 505
- PROLG-CR15H 505
- PROLG-CR15V 505
- PROLG-CR21H 505
- PROLG-CR21V 505
- PROLG-HA01 506
- PROLG-HA02 506
- PROLG-KIT1 522
- PROLG-SH10X10X2 508
- PROLG-SH10X10X2HD 508
- PROLG-SH10X10X4 508
- PROLG-SH10X10X4HD 508
- PROLG-XS53-72 507
- PROLG-XS65 507
- PROLG-XS69 507
- PRONUT2 374
- PROOH000103G 374
- PROOH210300-1B 372
- PROOH210300-2B 372
- PROOH210300-4B 372
- PROOH210300BA 363, 365, 372
- PROOH210300SA 372
- PROOH220000S 371
- PROOH220100S 371
- PROOH260000 363
- PROOH270001 363, 373
- PROOH270500 365, 374
- PROOH270550 363, 374
- PROOH270600 363, 365, 374
- PROOH280200B 372
- PROOH280200G 372
- PROOH280200W 372
- PROOH280250B 363, 365, 373
- PROOH280250G 373
- PROOH280250W 373
- PROOH280300B 365, 372
- PROOH280300G 372
- PROOH280300W 372
- PROOH280310W 373
- PROOH280350B 363, 372
- PROOH280350G 372
- PROOH280350W 372
- PROOH320000 370
- PROOH330500 369
- PROOH330600 369
- PROOH330601 369
- PROOH330602 369
- PROOH330700 369
- PROOH350100 370
- PROOH350600 369
- PROOH350625 369
- PROOH350650 369
- PROOH350675 369
- PROOH360000 370
- PROOH360100 370
- PROOH360200 370
- PROOH360300 370
- PROOH410003-1300 369
- PROOH410004-1300 369
- PROOH410005-1300 369
- PROOH410006-1300 369
- PROOH415700-1100 368
- PROOH415702-1000 368
- PROOH415704-098C 363, 365, 368
- PROOH415805-1100 368
- PROOH415870PR 370
- PROOH415871PR 370
- PROOH415872PR 370
- PROOH415873PR 370
- PROOH415874PR 370
- PROOH415875PR 370
- PROOH415876PR 370
- PROOH415877PR 370
- PROOH415878PR 370
- PROOH415879PR 370
- PROOH415880PR 370
- PROOH415881PR 370
- PROOH415882PR 370
- PROOH415883PR 370
- PROOH415884PR 370
- PROOH415885PR 370
- PROOH415890PR 370
- PROOH415895PR 370
- PROOH415900PR 363, 365, 370
- PROOH415905PR 370
- PROOH415910PR 370
- PROOH415915PR 370
- PROOH415920PR 370
- PROOH415925 363, 365
- PROOH415951 363, 365
- PROOH416600 369
- PROOH49020 369
- PROOH810000-1SS 371
- PROOH810000-2B 371
- PROOH810000-2SS 371
- PROOH810000BA 363, 365, 371
- PROOH810300B 371
- PROOH810400-1B 371
- PROOH810400-2B 371
- PROOH810400BA 371
- PROOH810500B 363, 365, 371
- PROOH810500SS 371
- PROOH810600B 363, 371
- PROOH810600SS 371
- PROOH810650S 372
- PROOH810700B 363, 365, 373
- PROOH810700SS 373
- PROOH810700W 373
- PROOH810800B 363, 365, 371
- PROOH810800W 371
- PROOH810900-240 373
- PROOH810900-300 373
- PROOH810900-360 363, 373
- PROOH810900-600 373
- PROOH810900-600KIT 373
- PROOH810950B 363, 373
- PROOH810950SS 373

- PROOH810950W 373
- PROOH810975B 365, 373
- PROOH810975W 373
- PROOH810976W 373
- PROOH89291-25 374
- PROOH89291-26 374
- PROOH89291-28 374
- PROOH89291-29 374
- PROOH89291-30 374
- PROOH89291-32 365, 374
- PROOH89291-36 365, 374
- PROOH89291-40 365, 374
- PROOH-CONVKIT-001 374
- PROOHLUBE-1 702
- PROOHLUBE-2 702
- PROOHSEAL98T 363, 368
- PROPARCLOCK 762
- PROPL3-110098402 363
- PROPL3-150098402 366
- PROPL3-160098402 363
- PROPL4-150098402 366
- PROSA55073 169
- PROSA56074 169
- PROSA56140 169
- PROSA56141 169
- PROSA56142 169
- PROSA56143 169
- PROSA56144 169
- PROSA56175 169
- PROSA56211 169
- PROSA56212 169
- PROSA56214 169
- PROSA56215 169
- PROSA56216 169
- PROSH646155 808
- PROSH83038 808
- PROSH83124 808
- PROSH83125 808
- PROSH83126 808
- PROSH83127 808
- PROSH83128 808
- PROSH83130 808
- PROSH83203 808
- PROSH83207 808
- PROSH85000 808
- PROSH85001 808
- PROSH85006 808
- PROSH85014 808
- PROSH85029 808
- PROSH85030 808
- PROSH85033 808
- PROSH85045 808
- PROSH85051 808
- PROSH85052 808
- PROSH85059 808
- PROSH85061 808
- PROSH85062 808
- PROSH85064 808
- PROSH85066 808
- PROSH85067 808
- PROSH85069 808
- PROSH85070 808
- PROSH85079 808
- PROSH85300 808
- PROSH85320 808
- PROSH85321 808, 818
- PROSH85323 808
- PROSH85724 808
- PROSH85900 808
- PROSH85918 808
- PROSH85919 808
- PROSH85933 808
- PROSH85934 808
- PROSU-20924 926
- PROSU-20925 926
- PROSU-24679 926
- PROSU-24691 926
- PROSU-24705 926
- PROSU-26321 926
- PROSU-6914 926
- PROSU-TRA0015 800
- PROSU-TRA020 817
- PROSU-TRA021 800
- PROSU-TRA023 800
- PROSU-TRA028 800
- PROSU-TRA035 915
- PROSU-TRA038 800, 915
- PROSU-TRA074 803, 917, 923
- PROSU-TRA075 803, 917, 923
- PROSU-TRA081 817
- PROSU-TRA086 818
- PROSU-TRA1492 801
- PROSU-TRA2256 802
- PROSU-TRA2260 803
- PROSU-TRA2270 803, 915
- PROSU-TRA2291 801
- PROSU-TRA2297 915
- PROSU-TRA2705 802
- PROSU-TRA2706 803
- PROSU-TRA2726 801
- PROSU-TRA2727 801
- PROSU-TRA2728 801
- PROSU-TRA2732 803
- PROSU-TRA2740 801
- PROSU-TRA2741 802
- PROSU-TRA2750 802, 879
- PROSU-TRA2752 800
- PROSU-TRA2754 800
- PROSU-TRA2757 800
- PROSU-TRA3330 802
- PROSU-TRA3340 919
- PROSU-TRA3341 802, 919
- PROSU-TRA3373 919
- PROSU-TRA3384 915
- PROSU-TRA3614 802
- PROSU-TRA693 801
- PROSU-TRA696 803
- PROSU-TRA697 801
- PROSU-TRA699 802, 815
- PRO-TC3 679
- PRO-TC4 679
- PRO-TC4-HDW 679
- PROTHO-313 25, 27
- PROTHO-315 29
- PROTHO-316 29
- PROTHO-318 29
- PROTHO-320 29
- PROTHO-349 27
- PROTHO-353 27
- PROTS10EPDM 328
- PROTS10NR 328
- PROTS15EPDM 328
- PROTS15NR 328
- PROTS21EPDM 328
- PROTS21NR 328
- PROTS31EPDM 328
- PROTS31NR 328
- PROTS41EPDM 328
- PROTS41NR 328
- PROVA-065104 85
- PROVA-065145 85
- PROVA-065146 85
- PROVA-065437 89
- PROVA-065439 90
- PROVA-101112 90
- PROVA-101622 90
- PROVA-102626 85
- PROVA-102761 90
- PROVA-103009 86
- PROVA-103010 86
- PROVA-103028 86
- PROVA-110139 86
- PROVA-110170 90
- PROVA-110171 90
- PROVA-110197 86
- PROVA-110200 86
- PROVA-110205 90
- PROVA-110410 86
- PROVA-110415 86
- PROVA-110500 90
- PROVA-110700 91
- PROVA-110800 91
- PROVA-12352 87
- PROVA-17600 100
- PROVA-20031 100
- PROVA-229635 98
- PROVA-229859 83
- PROVA-229860 83
- PROVA-23000 102
- PROVA-26000 102
- PROVA-27000 94
- PROVA-278614 102
- PROVA-279000 107
- PROVA-281865 87
- PROVA-284142 102
- PROVA-28500 87
- PROVA-28510 87
- PROVA-28520 87
- PROVA-28600 82
- PROVA-28601 82
- PROVA-286171 109
- PROVA-288239 100
- PROVA-289714 83
- PROVA-30400 87
- PROVA-5300 36
- PROVA-80-1003 105
- PROVA-90054007 94
- PROVA-90554241 95
- PROVA-A10005 87
- PROVA-G8602 106
- PROVA-M7102 100
- PROVA-Q500 97
- PROWB001A 131, 143, 144, 145
- PROWB001LD 142, 143
- PROWB002 131, 132, 141
- PROWB003 131, 132, 142
- PROWB004 131
- PROWB005 131, 132, 138, 139
- PROWB006 131, 132, 140
- PROWB008 131, 139
- PROWB009 131, 133
- PROWB015 131, 133, 145
- PROWB017 131, 133
- PROWB01A 143
- PROWB021 131
- PROWB026 133
- PROWB027 131, 138, 140
- PROWB039 139
- PROWB041 131
- PROWB046 131, 134, 144

- PROWB047 131, 134, 142, 143, 144, 145
- PROWB050 134
- PROWC154L 150
- PROWC155R 150
- PROWC158L 150
- PROWC159R 150
- PROWC162L 150
- PROWC163R 150
- PROWC168L 150
- PROWC169R 150
- PROWC170L 150
- PROWC171R 150
- PROWC172L 150
- PROWC173R 150
- PROWC176L 150
- PROWC177R 150
- PROWC2032L 147
- PROWC2033R 147
- PROWC226L 147
- PROWC227R 147
- PROWC372L 148
- PROWC373R 148
- PROWC422L 149
- PROWC423R 149
- PROWC504L 149
- PROWC505R 149
- PROWC506L 147
- PROWC507R 147
- PROWC512L 150
- PROWC513R 150
- PROWC522L 147
- PROWC523R 147
- PROWC526L 149
- PROWC527R 149
- PROWC528L 150
- PROWC529R 150
- PROWC706L 150
- PROWC707R 150
- PROWC8696 163
- PROWC8696HD 163
- PROWC8714 163
- PROWC8717 163
- PROWC8800 165
- PROWC8805 164
- PROWC8810 165
- PROWC8811L 163
- PROWC8812R 163
- PROWC8819 164
- PROWC8820 165
- PROWC8822A 165
- PROWC8823 165
- PROWC8824 165
- PROWC8826 165
- PROWC8827 165
- PROWC8828 165
- PROWC8831 165
- PROWC8834 165
- PROWC8837 165
- PROWC8841 165
- PROWC8843 165
- PROWC8847 165
- PROWC8851 164
- PROWC8853 164
- PROWC8854 164
- PROWC8857 164
- PROWC886L 149
- PROWC887R 149
- PROWC8880 165
- PROWC8886 165
- PROWCQ312L 148
- PROWCQ313R 148
- PROWCQ350L 148
- PROWCQ351R 148
- PROWCQ352L 148
- PROWCQ353R 148
- PROWCQ354L 148
- PROWCQ355R 148
- PROWCQ364L 148
- PROWCQ365R 148
- PROWCQ366L 148
- PROWCQ367R 148
- PROWCQ368L 148
- PROWCQ369R 148
- PROWCR1403 154
- PROWCR1407 154
- PROWCR1407A 156
- PROWCR1410 156
- PROWCR1412 156
- PROWCR1412Z 156
- PROWCR1417 157
- PROWCR1419 157
- PROWCR1419HD 157
- PROWCR1420 157
- PROWCR1423 158
- PROWCR1425 158
- PROWCR1435HD 158
- PROWCR1436 159
- PROWCR1437 159
- PROWCR1439 159
- PROWCR1439HD 160
- PROWCR1442 160
- PROWCR1442HD 160
- PROWCR1442HDA 160
- PROWCR1443 161
- PROWCR1444 161
- PROWCR1445 161
- PROWCR1448-1 162
- PROWF004 963
- PROWF005 963
- PROWF123 961
- PROWF133 962
- PROWF134 962
- PROWF160 963
- PROWF162 963
- PROWF2302 118
- PROWF235 961
- PROWF333B 960
- PROWF335 963
- PROWF336 963
- PROWF423 963
- PROWF430 962
- PROWF431 962
- PROWF437 963
- PROWF449 962
- PROWF450 962
- PROWF5200 116
- PROWF5210 116
- PROWF5300 118
- PROWF5300S 118
- PROWF5660 118
- PROWF676 963
- PROWF708AR 960
- PROWF709AL 960
- PROWF715 964
- PROWF716 961
- PROWF807 964
- PROWF809 964
- PROWF851 962
- PROWF852 962
- PROWF881M 960
- PROWF891AR 961
- PROWF891BR 961
- PROWF892AL 961
- PROWF896L 960
- PROWF896R 960
- PROWF897L 960
- PROWF897R 960
- PROWF912R 961
- PROWF913L 961
- PROWF920 960
- PROWF947 962
- PROWF948 962
- PROWF978L 960
- PROWF978R 960
- PROWF988L 960
- PROWF988R 960
- PROWF990 963
- PROWF991 963
- PROWF993 961
- PROWH1756758HP4W 958
- PROWH22582510HP2W 958, 984
- PROWH22582510HP5W 958
- PROWH22582510SP2W 958
- PROWH225825ALM 957
- PROWH225825ALP 957
- PROWH225825TLDMRW 958, 984
- PROWH24582510HP2W 958
- PROWH24582510SP2W 958
- PROWH-CA001 939, 944
- PROWH-CA002 944
- PROWH-CA003 939, 944
- PROWH-CA004 940, 944
- PROWH-CA005 939, 944
- PROWH-CA006 940, 944
- PROWH-CA007 939, 944
- PROWH-GA001 950
- PROWH-GA002 950
- PROWH-GA003 950
- PROWH-OR001 951
- PROWH-OR002 951
- PROWH-PL001 951
- PROWH-PL002 951
- PROWH-PL003 951
- PROWH-WK001 950
- PROWH-WK002 950
- PROWS0001A 954
- PROWS0003A 954
- PROWS0025A 954
- PROWS0065A 954
- PROWS35058 954
- PROWS42627 954
- PROWS46300 954
- PROWS47691 954
- PROWSRD296 776
- PROWSRD305 776
- PROWSRD306 776
- PROWSRD307 776
- PROWSRD310 776
- PROWSRD313 776
- PROWSRD406 776
- PROWSRD412 776
- PROWSRD413 776
- PROWSRD416 776
- PTX01010 698
- PTX09182 770
- PTX09183 770
- PTX09185 770
- PTX09186 770
- PTX09978 754
- PTX24010 754

PTX24240 754
 PTX25051 766
 PTX25219 766
 PTX27010 754
 PTX27100 754
 PTX27140 754
 PTX51813 751
 PTX56521 754
 PTX59235 754
 PTX80016 751
 PTX80022 750
 PTX80050 751
 PTX80052 704
 PTX80078 704
 PTX80370 691
 PTX80577 711
 PTX80632 756
 PTX81160 750
 PTX81464 704
 PTX81731 748
 PTX81833 712
 PTX81860 750
 PTX81981 703
 PTX82180 751
 PTX82194 752
 PTX82220 693
 PTX84332 748
 PTX85080 751
 PTX85913 751
 PTX85915 750
 PWS1025 690
R
 RADDE1 690
 RADEB1 694
 RADGC1 685
 RADGR013 699
 RADGR015 699
 RADGR016 700
 RADL112 704
 RADL212 702
 RADL616 703
 RADL666 703
 RADM2732 696
 RADM3815 687
 RADM4814 694
 RADM715 693
 RADM720 693
 RADM914 702
 RADNM6 691
 RADPD11CC 694
 RBR-GD07-3238 258
 RBR-HY01-3150 258
 RBR-MA01-6260 258
 RBR-MA02 258
 RD410 776
 RDW6300BFAB13 95
 RDW6310BFAB11 95
 RDW6311BFAB13 95
 REF18347 640
 REF18352 640
 REF18686 640
 REF18796 638
 REF18806 638
 REF19160 640
 REY0001-02 919
 REY0001-04 919
 REY0001-08 917, 919
 REY0001-8 917
 REY0002-07 919
 REY0002-12 919

REY0045-00 924
 REY0075-20 917, 919, 922
 REY0084-00 920
 REY0086-00 920
 REY0088-00 920
 REY0400-01 920
 REY0400-02 920
 REY0401-00 920
 REY0402-01 920
 REY0402-02 920
 REY0538-00 917
 REY0636-01 924
 REY0650-00 922
 REY0652-00 919
 REY0693-00 919
 REY0724-00 919
 REY0741-01 919
 REY0850-00 922
 REY0880-00 919
 REY09729-01 921
 REY09730-01 925
 REY1035-20 917, 919, 922
 REY10910-01 917, 923
 REY1216-00 924
 REY14247-01 915
 REY14248-01 915
 REY14250-01 915
 REY14344-01 915, 917
 REY14345-01 917
 REY15172-01 915, 922
 REY15173-01 915, 922
 REY15178-01 915, 922
 REY15179-01 915, 922
 REY15630-01 924
 REY16034-01 922
 REY1681000 917
 REY18165-01 917
 REY19638-01 923
 REY19753-01 923
 REY19766-01 924
 REY19789-02 917
 REY20018-01 917
 REY20029-01 917
 REY20560-20 917
 REY20561-01 917
 REY20740-01 923
 REY20852-01 915, 917
 REY21194-01 917
 REY21195-01 917
 REY21491-01 917, 923
 REY21643-48 917
 REY21725-01 915, 922
 REY22662-01 917, 921
 REY23329-01 917
 REY23329-02 917
 REY23334-01 917, 919
 REY24017-01 924
 REY24213-115 915
 REY24213-125 915
 REY24213-130 915
 REY24213-135 915
 REY24213-140 915
 REY24213-145 915
 REY24213-150 915
 REY24213-160 915
 REY24213-175 915
 REY703940-01 923
 REYK704656 921
 REYK704657 921
 REYK704962 923

REYT-1704 915
 REYT-1705 915, 917
 REYT-1859 917
 REYT2106 915
 REYT2224 915
 REYT5424 915
 REYT5425 915
 REYT5426 915
 REYT5427 922
 REYT5428 915
 REYT5429 915
 REYT5492 915
 REYT5493 915, 921
 REYT5495 915
 REYT5524 915
 REYT5544 915
 REYT5547 915
 REYT5562 920
 REYT5563 920
 REYT5564 920
 REYT5565 920
 REYT5566 920
 REYT5597 915
 REYT7292 917
 REYT7319 921
 REYT7716 924
 REYTK12506 921
 REYTK18997 921
 REYTK18998 921
 REYTK19011 924
 RHDV1212N 255
 RHDV1212W 255
 RHDV1224N 255
 RHDV1224W 255
 RIG68-50140-00 178
 RIG68-50182-00 178
 RIGFRW68-50132-00 178
 RIGRAC0012 178
 RIGRAC0012-1 178
 RIGRAC0023 178
 RIGRMC0218 178
 RIGRMC0219 178
 RIGRMC0300 178
 RRGBPS-3030 123
 RRGBPS-3030K 123
 RRGBPS-3030KLS 123
 RRGBSC-09 123
 RRGBSC-12 123
 RRGBSC-20 123
 RRGBSC-24 123
 RRGBSC-30 123
 RRGBTS-2424 125
 RRGBTS-3030 125
 RRGBTS-3030-106 125
 RRGBTS-3030-8050 125
 RRGBTS-3030LSX 125
 RRGBTS-3030X 125
 RNGCPS-3030KLS 123
 RNGCTS-3030 125
 RNGCTS-3030LS 125
 RNGRB-008 126
 RNGRB-21103 168
 RNGRB-22103 168
 RNGRB-30DC 129
 ROF-CC01 971
 ROF-CC02 971
 ROF-CC03 971
 ROF-CC05 971
 ROF-CC06 971
 ROF-CC07 971

ROF-CC08 971
 ROF-GD01 245
 RUB196940 328
 RUB197740 328
 RUB197840 328
 RUB197940 328
 RUB2.5 328
 RUB738940 328
 RUB80154 328
 RUB80214 328
 RUB80314 328
 RVB10-13-706-13 727
 RVB1-1 727
 RVB2-2 727
 RVB2-2A 727
 RVB2-2B 727
 RVB2-3 727
 RVB2-3A 727
 RVB2-3B 727
 RVB2-4 727
 RVB2-4B 727
 RVB2-5 727
 RVB2-6 727
 RVB2-6B 727
 RVB60558100 725
 RVB60558600 725
 RVT10-222 724
 RVT10-223 724
 RVT10-224 724
 RVT10-262 724, 734
 RVT10-263 724
 RVT10-264 724
 RVT10-265 724
 RVT10-266 724
 RVT10-268 724, 735, 738
 RVT10-272 363, 724, 741
 RVT10-273 724
 RVT10-307 724
 RVT10-309 724
 RVT10-310 724
 RVT10-311 724
 RVT1-222 724
 RVT1-223 724
 RVT1-224 724
 RVT1-226 724
 RVT1-262 724, 736
 RVT1-263 724, 734, 735, 736,
 738, 740
 RVT1-264 724
 RVT1-265 739
 RVT1-266 724, 739
 RVT1-268 724
 RVT1-27 724
 RVT1-271 724
 RVT1-305 724
 RVT1-307 724
 RVT1-309 724
 RVT1-310 724
 RVT1-67 724
 RVT1-68 724
 RVT1-69 724
 RVT1-7 724
 RVT1-71 724
 RVT60354400 738
 RVT6-222 723, 733, 734, 736
 RVT6-222A 723
 RVT6-223 723
 RVT6-223A 723
 RVT6-224 723, 733, 735
 RVT6-224A 723

RVT6-225 723
 RVT6-226 723
 RVT6-226A 723
 RVT6-228 723
 RVT6-262 723, 733
 RVT6-263 723
 RVT6-264 723, 734, 736
 RVT6-264A 723
 RVT6-265 723, 734, 736, 738,
 739, 740
 RVT6-266 723, 734, 735, 736,
 738, 739, 740
 RVT6-266A 723
 RVT6-268 723, 739
 RVT6-269 723, 739
 RVT6-27 723, 739, 741
 RVT6-271 723, 735, 737, 741
 RVT6-28 363
 RVT6-28 723, 741
 RVT6-307 723
 RVT6-309 723
 RVT6-68 723

S
 SAFGL102KIT 558
 SAFGR101KIT 558
 SAFSB-STK-401 663
 SCF2-10 260
 SCF2-15 260
 SCF2-2 260
 SCF2-22 260
 SCF2-3 260
 SCF2-4 260
 SCF2-5 260
 SCF2-5-8 260
 SCF2-5SC 260
 SCF75X12X8 259
 SCF75X12X52 259
 SCF4-2 259
 SCF5-1 260
 SCF5-10 260
 SCF5-17 260
 SCF5-2 260
 SCF5-24 260
 SCH545D 965
 SCH7572B 965
 SCH7572V 965
 SCR12-662A 730
 SCR5-45656 730
 SCR5-624 728
 SCR60270420 730
 SCR6-649 730
 SCR-SMSTKH1002 729
 SCR-SMSTKH1003 729
 SCR-SMSTKH1005 729
 SCR-SMSTKH1010 729
 SCR-SMSTKH1011 729
 SCR-SMSTKH1012 729
 SCR-SMSTKH1020 729
 SCR-SMSTKH1203 729
 SCR-SMSTKH1210 729
 SCR-SMSTKH1211 729
 SCR-SMSTKH1212 729
 SCR-SMSTKH1220 729
 SCR-SMSTKH1403 729
 SCR-SMSTKH1410 729
 SCR-SMSTKH1412 729
 SCR-SMSTKH1413 729
 SCR-SMSTKH1420 729
 SCR-SMSTKH1422 729
 SCR-SMSTKH1430 729

SCR-SMSTKP0602 729
 SCR-SMSTKP0603 729
 SCR-SMSTKP0610 729
 SCR-SMSTKP0802 729
 SCR-SMSTKP0803 729
 SCR-SMSTKP0810 729
 SCR-SMSTKP1002 729
 SCR-SMSTKP1003 729
 SCR-SMSTKP1005 729
 SCR-SMSTKP1010 729
 SCR-SMSTKP1012 729
 SCR-SMSTKW1003 729
 SCR-SMSTKW1010 729
 SCR-SMSTKW1012 729
 SCR-SSSMSTKH1003 729
 SCR-SSSMSTKH1010 729
 SCR-SSSMSTKH1012 729
 SCRSTLPL1003 730
 SCRSTLPL1010 730
 SCW60750210 713
 SCW60753087 715, 733
 SCW6-1250 741
 SCWF3911669-99 730
 SCWF8719744-3582 730
 SCWF8799767-0182 728
 SEA110139 87
 SEA110170 91
 SEA110171 91
 SEA110191 88
 SEA110197 88
 SEA110200 88
 SEA110205 88
 SEA110257 105
 SEA110338 88
 SEA110376 91
 SEA110380 88
 SEA110410 88
 SEA110415 88
 SEA110474 109
 SEA110500 91
 SEA110570 101
 SEA110580 101
 SEA110587 103
 SEA110589WC 100
 SEA110700 91
 SEA110800 91
 SEA140270 105
 SEA140280 105
 SEA140370 105
 SEA17600B 100
 SEA17610 100
 SEA2000D 84
 SEA21600 98
 SEA21600-2 98
 SEA2550 109
 SEA320100 102
 SEA5400 105
 SEA6002 47
 SEA6003 47
 SEA6006 47
 SEA616 47
 SEA996555-M 101
 SEAA-1000-S 89
 SHP48WK15 686
 SHP-RAG 767
 SHPS-12809 767
 SHPS-14769 767
 SIK0268243 743
 SIK192439 748
 SIK221-201 743

SIK221-202 743	SPO-GD09 262	STE348-4009 940, 948
SIK221-521 743	SPO-GD10 262	STE352-4009 939, 948
SIK221-522 743	SPO-GD20 262	STE352-4195 939, 949
SIK221-523 743	SPO-GD22 262	STE358-4009 939, 949
SIK227-521 747	SPO-GD24 262	STE358-4195 939, 949
SIK252-521 743	SPO-GD25 262	STE359-5915 951
SIK252-523 743	SPO-GD28 262	STE359-5990 951
SIL12084 746	SPO-HY01 263	STE359-5995 950
SIL12154GREY 745	SPO-HY02 263	STE359-5999 950
SIL12176WHITE 745	SPO-HY04 973	STE359-6117 950
SIL12231 746	SPO-HY05 263	STE359-6141 950
SIL6325 746	SPO-HY06 263	STE3720 932
SIL6328 746	SPO-HY07 263	STE372-7097 956
SILCONAD 743	SPO-HY11 263	STE372-7098 956
SIRB151 136	SPO-HY13 263	STE372-7099 956
SIRB349 136	SPO-HY14 263	STE373-0113 956
SIRB8684A 162	SPO-HY17 264	STE373-0123 956
SIRB8773MA 162	SPO-HY25 264	STE373-0143 956
SIRB888 136	SPO-HY96 264	STE373-0223 956
SIRBRBK 714	SPO-HYA2 264	STE373-0243 956
SLO441001 59	SPO-ST01 973	STE3782 932
SLO441003 59	SPO-ST04 265	STE383-0136 956
SLO441004 59	SPO-ST04 974	STE392-9131 956
SLO441008 59	SPO-ST05 265	STE393-0173 956
SLO441014 59	SPO-ST08 265	STE447-4723 116
SLO441102 60	SPO-ST11 208	STE447-4743 116
SLO441103 60	SPO-ST13 265	STE449-4973 116
SLO441105 60	SPO-ST18 265	STE450-4723 116
SLO441154 60	SPO-ST23 265	STE450-4743 116
SLO441155 60	SPO-TM01 265	STE450-4973 116
SLO441721 64	SPO-TM02 266	STE45220 932
SLO441731 65	SPO-UT01 241, 266	STE45280 932
SLO441737 63	SPO-UT02 266	STE552A 932
SLO441738 63	SPO-UT03 266	STE555S 932
SLO441739 63	SPO-VN01 266	STE563 932
SLO451097 604	SPO-VN03 266	STE567 932
SLO451098 604	SPO-VN05 267	STE572 932
SMCKV2H07-00 53	SPO-VN07 267	STE580 932
SMCKV2H07-11 53	SSC3-C 647	STE582 932
SMCKV2H11-00 53	STADL295 815	STE592A 932
SMCKV2L13-36S 53	STATRA031 915	STE594A 932
SMCKV2T11-00 53	STE300-4009 939, 944	STE600-5526 930
SMCKV2T11-35S 53	STE300-5097 939, 945	STE600-5529 930
SPF13415D 642	STE307-0723 956	STE600-9999 930
SPL1-26 672	STE307-0743 956	STE610-0028 931
SPL2-3 669	STE330-3009 950	STE610-0065 931
SPL2-5 669	STE330-3024 950	STE610-0084 931
SPL5-3 671	STE330-3067 950	STE610-0090 949
SPL99-10 669	STE330-3077 951	STE6420 932
SPL99-11 669	STE330-3106 950	STE6461A 932
SPL99-12 669	STE330-3107 950	STE650-0532 930
SPL99-13 669	STE330-3118 950	STE650-0539 930
SPL99-17 669	STE330-3133 950	STE650-0545 930
SPL99-18 669	STE340-4009 939, 945	STE650-0598 930
SPL99-45 669	STE340-4013 940, 945	STE650-0601 930
SPL99-70NOLOGO 670	STE340-4024 940, 945	STE650-0608 930
SPL99-72NOLOGO 670	STE340-4195 940, 946	STE650-0610 930
SPL99-8 669	STE340-4370 939, 946	STE650-0613 930
SPL99-9 669	STE340-4372 940, 946	STE650-0626 930
SPLMFAHWFLAP 676	STE340-4975 940, 946	STE653 932
SPL-ST01 265	STE340-5096 939, 946	STE663 932
SPO-CC02 973	STE342-4009 939, 946	STEHM212011 932
SPO-CC03 973	STE342-4195 939, 946	STEHM212047 932
SPO-GD01 261	STE343-4009 939, 946	STEHM212049 932
SPO-GD02 261	STE343-4024 940, 948	STEHM218210 932
SPO-GD04 261	STE343-4195 940, 948	STEHM218248 932
SPO-GD05 261	STE343-4308 940, 948	STEHM518410 932
SPO-GD06 261	STE343-4370 940, 948	STEHM518445 932
SPO-GD07 261	STE343-4372 940, 948	STEMC8056KTAS 128
SPO-GD08 262	STE347-4195 939, 948	STEMC8420KTS 128

STEMK21103S	170
STEMK22102S	170
STEMK22103S	170
STEMK22153S	170
STEMK41100S	170
STEMK42100S	170
STEMK42106S	170
STEMK42700S	170
STESSET401	932
STESSET402	932
STESSET403	932
STESSET405	932
STESSET406	932
STESSET409	932
STESSET412	932
STESSET413	932
STESSET414	932
STESSET415	932
STESSET423	932
STESSET424	932
STESSET425	932
STESSET427	932
STEWK4515QCXLBL	137
STEWKS4707QCXLBL	137
STL1-11	187
STL1-12	187
STL27570225	184
STL27570300	184
STL27570500	184
STL27570501	184
STL27570600	184
STL5-1	184
STLIBM4X102X80KPSI	184
STLMBPBEAMST3UP	184
STLMBPBEAMST400	184
STTSMT-03-0010	179
STTSMT-04-0054	179
STTSMT-05-0099	179
STTSMT-07-1007	179
STTSMT-09-1001-F00	179
STTSMT-A5-1025	179
STTSMT-P1-000330F0	179
STTSMT-P1-0004100B	179
STTSTAA00-0215-0F0	179
STTSTC000-0105-0F0	179
STTSTKF00-0002-00B	179
STTSTPF00-0404-0FB	179
SUP001014	308
SUP001015	308
SUP001036	310
SUP001037	310
SUP002076570012	309
SUP002080920002	309
SUP0027928045	309
SUP003559914	309
SUP003576591	309
SUP015084003	308
SUP015201011	309
SUP015557731	308
SUP116385	308
SUP116386	308
SUP116404	309
SUP116405	309
SUP116406	310
SWD-UN02	429
SWD-UN03	429
SWD-UN04	429
SWH-CC31	970
SWH-DY01	453
SWH-DY02	439
SWH-DY03	439
SWH-GD01	440
SWH-GD02	453
SWH-GD03	440
SWH-GD04	440
SWH-GD05	440
SWH-GD06	440
SWH-GD07	440
SWH-GD13	440
SWH-GD14	476
SWH-GD15	440
SWH-GD17	441
SWH-HY01	441
SWH-HY02	475
SWH-HY03	437
SWH-HY04	441
SWH-HY07	441
SWH-HY08	441
SWH-HY10	451
SWH-MA03	442
SWH-MA04	442
SWH-MN01	442
SWH-MN02	442
SWH-SK01	444
SWH-SK02	445
SWH-SK03	445
SWH-ST01	444
SWH-ST02	444
SWH-ST03	454
SWH-ST04	452
SWH-TM01	445
SWH-TM02	454
SWH-TM03	445
SWH-TM04	452
SWH-TM06	445
SWH-TM07	452
SWH-TM08	445
SWH-UT01	446
SWH-UT02	446
SWH-UT03	454
SWH-UT04	446
SWH-VN01	446
SWH-VN02	446
SWH-VN13	446
SWH-VN14	447
SYL1156	590
SYL1157	590
SYL1157A	590
SYL1889	590
SYL1893	590
SYL194	590
SYL3157	590
SYL3157A	590
SYL31817	590
SYL33145	588
SYL36183	590
SYL37	590
SYL38141	590
SYL3817	588
SYL4157NALL-BP	590
SYL4411	588
SYL4509	588
SYL53	590
SYL67	590
SYL89	590
SYL9004	588
SYL9005	588
SYL9005XS	588
SYL9006	588
SYL9006XS	588
SYL9007	588
SYL906	590
SYL97	590
SYLH11	588
SYLH4651	588
SYLH4656	588
SYLH6024	588
SYLH6054	588
T	
TAP1-1	758
TAP1-2	758
TAP1-4	757
TAP1-7	758
TAP2-1	757
TAP2-2	757
TAP2-3	757
TAP2-4	757
TAP3-1	756
TAP360-45	758
TAP42300507	757
TAP569-103796	759
TAP62751003	757
TAP62751004	757
TAP62751005	757
TAP62751006	757
TAPAAA000477	759
TAPAAS000172	759
TAPSTK070067065	756
TAPTS-217-B	757
TEC10101ZFX	62
TEC101117B	63
TEC101117R	63
TEC670-DDSG	606
TEC9216E-A	57
TEC9217S-A	57
TEC925BZ99FX	66
TEC925RZ99FX	66
TFPQPS05	255
TFPQPS10	255
TFPQPS20	255
TFPQPS20R	256
TFPQPS2460	256
TFPQPS60R	256
TGD1021	413
TGD1209-A	415
TGD1264	414
TGD1371	413
TGD15	415
TGD1715	417
TGD2376-1	413
TGD2376-2	413
TGD2996	416
TGD2996-6	416
TGD2996-HD	416
TGD3228	416
TGD3228-4	416
TGD4004	413
TGD4077	416
TGD49819-A1	417
TGD49819-A1-01	417
TGD49819-A1-02	417
TGD49996-1-2	413
TGD49996-2-2	413
TGD51038	413
TGD5502-2.5	414
TGD5502-2.5-SS	414
TGD5600	414
TGD5600-2.5	365
TGD5600-BSH-R	415
TGD5803	365
TGD59292	413

- TGD60000 416
- TGD61174 416
- TGD61174-6 416
- TGD61196 415
- TGD61204 413
- TGD61352 414
- TGD61401 417
- TGD69035 415
- TGD6943 414
- TGD69431 414
- TGD69433 414
- TGD6944 365, 414
- TGD69571 416
- TGD69572 415
- TGD69832 416
- TGD70093 415
- TGD70231-110 417
- TGD70231-PPW 417
- TGD70305 416
- TGD70464 379
- TGD75004-5 417
- TGD7515 415
- TGD77 416
- TGD80322-319-OE 377, 379, 381, 383, 385
- TGD80352-518-OE 377, 379, 381, 383, 385
- TGD80401-316 377, 379, 381, 385
- TGD89231-2-OE 381
- TGD89231-3-OE 381
- TGD912514-1B 417
- TGDHD15 415
- TIM11S47670 956
- TIM12S42500 956
- TIM12S42500B 956
- TIM12S46251 956
- TIM12Y42501 956
- TIM12Y46250 956
- TIM3720 932
- TIM3782 932
- TIM45220 932
- TIM45280 932
- TIM552A 932
- TIM555S 932
- TIM563 932
- TIM567 932
- TIM572 932
- TIM580 932
- TIM582 932
- TIM592A 932
- TIM594A 932
- TIM6420 932
- TIM6461A 932
- TIM653 932
- TIM663 932
- TIM81909B 939, 949
- TIM87009 939, 949
- TIM87085B 939, 949
- TIMHM212011 932
- TIMHM212047 932
- TIMHM212049 932
- TIMHM218210 932
- TIMHM218248 932
- TIMHM518410 932
- TIMHM518445 932
- TIMSET401 932
- TIMSET402 932
- TIMSET403 932
- TIMSET405 932
- TIMSET406 932
- TIMSET409 932
- TIMSET412 932
- TIMSET413 932
- TIMSET414 932
- TIMSET415 932
- TIMSET423 932
- TIMSET424 932
- TIMSET425 932
- TIMSET427 932
- TIS158-CK 664
- TIS158-E 664
- TMB700-50-7 715
- TOD20658810 389
- TOD20658813 389
- TOD20658815 389
- TOD29013-0000 377
- TOD29014-11X98 377, 386
- TOD29014-12X98 386
- TOD29014-15X98 386
- TOD29014-15X98PPW 386
- TOD29014-18X98 386
- TOD29016-1-11X98 377
- TOD29016-1-11X98W 386
- TOD29016-1-12X98 386
- TOD29016-1-15X90 386
- TOD29016-1-15X96 386
- TOD29016-1-15X98 386
- TOD29016-1-15X98W 386
- TOD29018-15X98 386
- TOD29020-12X98 386
- TOD29020-15X96 386
- TOD29020-15X98 386
- TOD29556.0000 385
- TOD29557.0000 385
- TOD29558.0000 385
- TOD29575-15 385
- TOD29640-11X96 383
- TOD29641115X89.25 383
- TOD29650-11X94.063 383
- TOD29651 383
- TOD29652-15 383
- TOD29917-12.5X98 379
- TOD29918-11X98 379
- TOD29919-1 379
- TOD29929.2-15X95.6 381
- TOD29929.3-15X95.6 381
- TOD29929-2-15X95.2 386
- TOD39000-1006 702
- TOD39000-1012 702
- TOD39000-1016 702
- TOD39171-0000 234
- TOD39504-1 234
- TOD39504-2 234
- TOD39582 234
- TOD49014-111C 377, 379, 381, 387
- TOD49101-1300 385, 386
- TOD49312-113C 385, 387
- TOD49458-1110 387
- TOD49499-104C 387
- TOD49513-1350 386
- TOD49593-111C 383, 387
- TOD49653-1300 386
- TOD49702-1300 377, 379, 381, 383, 385, 386
- TOD49721-1250 386
- TOD49821-1400 386
- TOD49895-1404 386
- TOD51036-1 377, 379, 381, 383, 385
- TOD51036-2 377, 379, 381, 383, 385
- TOD51038 377, 379, 381, 383, 385, 390
- TOD51042 377, 379, 381, 383, 385, 394
- TOD51043 377, 379, 381, 383, 385
- TOD51044PR 377, 379, 381, 383, 385, 389
- TOD51065 394
- TOD59003PR 389
- TOD59003PR 377, 379, 381, 383, 385
- TOD59004PR 377, 379, 381, 383, 385, 389
- TOD59024 377, 379, 381, 383, 385
- TOD59031.0262X65 379, 383
- TOD59031.026X65 377, 381
- TOD59083 377, 379, 381, 383, 385, 390
- TOD59092-30 377, 379, 381, 383, 385
- TOD59129-1 377, 379, 381, 383, 385, 390
- TOD59129-2 377, 379, 381, 383, 385, 390
- TOD59157-3 377, 379, 381, 383, 385, 391
- TOD59157-4 377, 379, 381, 383, 385, 391
- TOD59158 377, 379, 381, 383, 385
- TOD59174 389
- TOD59193 385
- TOD59206 390
- TOD59209 389
- TOD59220.0357X98 389
- TOD59230 389
- TOD59290-98 377, 379, 381, 383, 385
- TOD59292 389
- TOD59292-57X3X95.2 389
- TOD61026 377, 379, 381, 383, 385, 390
- TOD61174 377, 379, 381, 394
- TOD61191 377, 379, 394
- TOD61191-90 394
- TOD61196 377, 379, 383, 385, 392
- TOD61204 377, 379, 381, 383, 390
- TOD61229 393
- TOD61352 377, 379, 391
- TOD61355 392
- TOD61390 377, 379, 381, 383, 385, 387
- TOD61401 377, 379, 381, 383, 385, 393
- TOD61402 377, 379, 381, 387
- TOD61403 377, 379, 381, 385, 388
- TOD69020 393

Index

IDX

Index

- TOD69035 377, 379, 383, 385, 391
- TOD69110.3072 383
- TOD69162 383, 385, 394
- TOD69265 385, 392
- TOD69431 377, 379, 381, 383, 392
- TOD69432 377, 379, 381, 383, 392
- TOD69433 381, 392
- TOD69571 377, 379, 381, 383, 385, 393
- TOD69572 377, 379, 381, 383, 385, 393
- TOD69718X108 377
- TOD69718X96 379, 381, 383
- TOD69718X98 387
- TOD69770 377, 379, 381, 387
- TOD69790X96 377, 381, 389
- TOD69832 377, 379, 381, 383, 385, 394
- TOD69840 388
- TOD69964-1 391
- TOD69964-2 391
- TOD69983 394
- TOD69986-1 385, 391
- TOD69986-2 385, 391
- TOD69987 385, 388
- TOD69988 385, 389
- TOD69989 383, 385
- TOD70001 377, 381, 387
- TOD70057 393
- TOD70058 394
- TOD70082-1 383, 391
- TOD70082-2 383, 391
- TOD70083-1880 383
- TOD70084.3072 383, 388
- TOD70093 377, 379, 381, 383, 385, 393
- TOD70131 388
- TOD70135-96 385, 387
- TOD70159 381
- TOD70223 377, 379, 381, 383, 385, 393
- TOD70224 394
- TOD70225 394
- TOD70232 388
- TOD70236 391
- TOD70238 392
- TOD70305 394
- TOD70309 391
- TOD70311 391
- TOD70338 388
- TOD70438 392
- TOD70497 381
- TOD70498 381
- TOD70514 381
- TOD80015-0052 383, 395
- TOD80015-0096 385, 395
- TOD80020 377, 379, 381, 383, 385
- TOD80300-2414 377, 379, 381, 383, 385
- TOD80401-316 383
- TOD80701-2 390
- TOD80840-96 377, 379, 388
- TOD80844-1408 377, 379, 381, 383, 385, 395
- TOD80844-30 395
- TOD80844-38 395
- TOD89029-0056 395
- TOD89049 377, 379, 381, 383, 395
- TOD89113-1 383, 385
- TOD89210.0092 385
- TOD89210-0023 381
- TOD89210-0032 377, 381, 394
- TOD89210-0036 377, 379, 394
- TOD89210-0040 394
- TOD89210-0044 377, 379, 394
- TOD89210-0048 394
- TOD89271-1 385
- TOD89291-0044 383
- TOD89291-0052 383
- TOD93494 391
- TOD99611-2 386
- TOD99837-2 386
- TOL1-1 719, 742
- TOL1311 368, 777
- TOL1312 368, 777
- TOL440-P2 774
- TOL440-P3 774
- TOL440-TX-20 774
- TOL440-TX-25 774
- TOL440-TX-27 774
- TOL440-TX-30 774
- TOL440-TX-40 774
- TOL440-TX-45 774
- TOL480-P3 774
- TOL480-TX-30 774
- TOL480-TX-40 774
- TOL480-TX-45 774
- TOL480-TX-55 774
- TOL838 774
- TOL855 774
- TOL858 774
- TOLMBO24241 766
- TOLMBO55317 766
- TOLMBO55327 766
- TOLMBO55331 766
- TOLSM10-4558-45610 777
- TOLSM30-4558-45610 777
- TOP-CC10 974
- TOP-CC11 971
- TOP-GD02-3240 277
- TOP-GD04-6260 277
- TOP-GD07-3600 277
- TOP-GD07-6260 277
- TOP-GD22-6360 277
- TOP-HY01-3600 277
- TOP-HY01-6260 277
- TOP-HY02-1320 277
- TOP-HY02-6260 277
- TOP-HY03-3600 277
- TOP-HY03-6260 277
- TOP-HY04-1320 277
- TOP-HY04-6260 277
- TOP-HY05-3600 278
- TOP-HY05-6260 278
- TOP-ST01-1320 278
- TOP-ST01-6260 278
- TOP-ST02-1320 278
- TOP-ST02-6260 278
- TOP-UT01-1320 278
- TOP-UT01-6260 278
- TOP-UT02-1320 278
- TOP-UT02-6260 278
- TRA262288-120S 69
- TRA31002 68
- TRA31005 68
- TRA31302 44
- TRA31305 44
- TRA31402 44
- TRA31403 44
- TRA31540-180 69
- TRA32201-108 71
- TRA32202-108 71
- TRA32319-112 71
- TRA32319-122 71
- TRA32319-124 71
- TRA32801-124 71
- TRA34015 71
- TRA34020 73
- TRA34021 73
- TRA34022 73
- TRA34150 73
- TRA34211 66
- TRA34213 72
- TRA34268 72
- TRA34269 72
- TRA35002-048 36
- TRA35013 36
- TRA36001 63
- TRA36101 58
- TRA36131 62
- TRA36153 59
- TRA36154 59
- TRA36161 57
- TRA36181 62
- TRA36191 62
- TRA36201 58
- TRA36231 62
- TRA36253 59
- TRA36254 59
- TRA36261 57
- TRA36281 62
- TRA36291 62
- TRA36380 65
- TRA36390 65
- TRA36400 62
- TRA38046 20
- TRA38202 615
- TRA38204 617
- TRA38213 616
- TRA3826040 611
- TRA38265 611
- TRA38265B 611
- TRA38351G-5 611
- TRA38353B 611
- TRA38360 615
- TRA38361 615
- TRA3850008 618
- TRA3850015 619
- TRA3850031 611
- TRA38501 614
- TRA38502 614
- TRA38521 611
- TRA451169 74
- TRA460144 69
- TRA50027 50
- TRA51103 84
- TRA51107 84
- TRA51301 89
- TRA51321 89
- TRA55286 66
- TRA55287 66
- TRAF36161 57
- TRAF36261 57

TRAGH5500	63	TRU14701	597	TRU21200R	537
TRAGH6600	63	TRU15011	556	TRU21200Y	537
TRD-GD02	190	TRU15011-UB	556	TRU21201R	537
TRD-GD03	191	TRU15040	556	TRU21201Y	537
TRD-UN01	190	TRU15041	556	TRU21204C	554
TRU00801	581	TRU15050R	549	TRU21210Y	537
TRU07110	282	TRU15200C	575	TRU21251R	538
TRU10202C	575	TRU15200R	534	TRU21251Y	538
TRU10202R	544	TRU15200Y	534	TRU21275R	537
TRU10202Y	544	TRU15203Y	534	TRU21275Y	537
TRU10203R	527	TRU15205	554	TRU2150	536
TRU10203Y	527	TRU15208	553	TRU21501R	537
TRU10205R	544	TRU15208-UB	553	TRU21501Y	537
TRU10205Y	544	TRU15217	553	TRU2150A	536
TRU10208R	545	TRU15227	554	TRU22002R	559
TRU10208Y	545	TRU15250R	534	TRU22002Y	559
TRU10212Y	545	TRU15250Y	534	TRU22004R	559
TRU10250R	545	TRU15401	582	TRU22004Y	559
TRU10250Y	545	TRU15404	582	TRU22006R	559
TRU10251R	545	TRU15406	582	TRU22006Y	559
TRU10251Y	545	TRU15407	582	TRU22202R	559
TRU10275R	546	TRU15412	583	TRU22202Y	559
TRU10275Y	546	TRU15414	583	TRU25250R	527
TRU10276R	527	TRU1560	534	TRU25250Y	527
TRU10276Y	527	TRU1560A	534	TRU26270R	536
TRU10279R	546	TRU15702	597	TRU26270Y	536
TRU10279Y	546	TRU15720	582	TRU26330	550
TRU10286R	545	TRU15727	583	TRU26331	551
TRU10286Y	545	TRU15728	583	TRU26335	555
TRU10375R	546	TRU15729	581	TRU2660	528
TRU10375Y	546	TRU15741R	549	TRU2660A	528
TRU10379R	546	TRU15745R	549	TRU27450C	588
TRU10379Y	546	TRU17200	551	TRU282	633
TRU10385R	545	TRU18050R	536	TRU29202R	536
TRU10385Y	545	TRU18050Y	536	TRU29202Y	536
TRU10389R	545	TRU19002R	534	TRU29203R	536
TRU10389Y	545	TRU19002Y	534	TRU29203Y	536
TRU10401	596	TRU19200C	575	TRU30050R	542
TRU10402	596	TRU19200R	534	TRU30050Y	542
TRU10403	596	TRU19200Y	534	TRU30051R	542, 976
TRU10404	596	TRU19205Y	534	TRU30051Y	542, 976
TRU10410	581	TRU19206	554	TRU30133	592
TRU10414	582	TRU19250R	535	TRU30200C	551
TRU1050	546	TRU19250Y	535	TRU30200R	540, 976
TRU10500	598	TRU19275R	535	TRU30200Y	540, 976
TRU1050A	546	TRU19275Y	535	TRU30201R	526
TRU1052	546	TRU19350R	535	TRU30201Y	526
TRU1052A	546	TRU19350Y	535	TRU30221R	541
TRU10700	596	TRU19375R	535	TRU30221R-UB	541
TRU10702	596	TRU19375Y	535	TRU30221Y	541
TRU10704	596	TRU1960	536	TRU30221Y-UB	541
TRU10708	596	TRU1960A	536	TRU30222R	541
TRU10715	593	TRU19720	583	TRU30222Y	541
TRU10721	581	TRU19721	583	TRU30230Y	540
TRU10724	581	TRU19722	583	TRU30250R	542
TRU10725	582	TRU19728	583	TRU30250Y	542
TRU10727	581	TRU19737	583	TRU30251R	542
TRU10728	581	TRU19738	583	TRU30251Y	542
TRU10729	584	TRU19739	583	TRU30257Y	540
TRU10738	581	TRU19750	583	TRU30270R	541
TRU10744R	549	TRU21001R	537	TRU30270Y	541
TRU1075	526	TRU21001Y	537	TRU30271Y	542
TRU1075A	526	TRU21002R	537	TRU30272R	541
TRU1211	528	TRU21002Y	537	TRU30272Y	541
TRU1211A	528	TRU21004C	554	TRU30275R	542
TRU1259	530	TRU21051R	538	TRU30275Y	25, 27, 29, 542
TRU1259A	530	TRU21051Y	538	TRU30276R	526
TRU14200R	538	TRU21075R	537	TRU30276Y	526
TRU14200Y	538	TRU21075Y	537	TRU30279R	542
TRU14700	597	TRU21096Y	538	TRU30279Y	542

- TRU30285R 541
- TRU30285Y 541
- TRU30375R 542
- TRU30375Y 542
- TRU30385R 541
- TRU30385Y 541
- TRU30386R 541
- TRU30386Y 541
- TRU30401 597
- TRU30402 597
- TRU30403 581
- TRU30404 582
- TRU30405 582
- TRU3050 543
- TRU30500 598
- TRU3050A 543
- TRU30700 597
- TRU30701 596
- TRU30702 25, 27, 29, 597
- TRU30708 593
- TRU30715 593
- TRU30721 582
- TRU30722 582
- TRU30728 584
- TRU3075 526
- TRU3075A 526
- TRU33010C 551
- TRU33050R 548
- TRU33050Y 548
- TRU33065C 551
- TRU33075R 548
- TRU33075Y 548
- TRU33077R 548
- TRU33080R 548
- TRU33080Y 548
- TRU33203R 548
- TRU33210C 551
- TRU33250R 548
- TRU33250Y 548
- TRU33259R 548
- TRU33259Y 548
- TRU33275R 548
- TRU33275Y 548
- TRU33286R 548
- TRU33286Y 548
- TRU33700 598
- TRU33705 598
- TRU33710 584
- TRU33711 584
- TRU33712 584
- TRU33715 584
- TRU33720 598
- TRU33725 598
- TRU33740R 549
- TRU33750R 549
- TRU33754R 549
- TRU33800 592
- TRU33805 593
- TRU35001R 535
- TRU35001Y 535
- TRU35075R 535
- TRU35075Y 535
- TRU35200R 535
- TRU35200Y 535
- TRU35375R 535
- TRU35375Y 535
- TRU35720 583
- TRU35740R 549
- TRU36100R 529
- TRU36100Y 529
- TRU36115R 529
- TRU36115Y 529
- TRU36203R 529
- TRU36203Y 529
- TRU36213R 529
- TRU37 640
- TRU40002R 569
- TRU40002Y 569
- TRU40028R 568
- TRU40028Y 568
- TRU40042R 569
- TRU40202R 569
- TRU40202Y 569
- TRU40203 575
- TRU40204 575
- TRU40215R 569
- TRU40222R 569
- TRU40223 575
- TRU40229R 568
- TRU40229R-UB 568
- TRU40242R 569
- TRU40242Y 569
- TRU40244 575
- TRU40248R 569
- TRU40270C 282
- TRU40271C 282
- TRU40275C 282
- TRU40282R 568
- TRU40282Y 568
- TRU40403 597
- TRU4050 568
- TRU40500 598
- TRU4050A 568
- TRU4060C 576
- TRU40700 597
- TRU40715 584
- TRU40719 584
- TRU40720 584
- TRU40725 557
- TRU40756 557
- TRU40757 557
- TRU40850 557
- TRU41 602
- TRU41A 602
- TRU42722 585
- TRU44022R 570
- TRU44030R 570
- TRU44032R 570
- TRU44036R 570
- TRU44201Y 570
- TRU44202R 570
- TRU44221Y 570
- TRU44222R 570
- TRU44302R 570
- TRU44322R 570
- TRU44326R 570
- TRU44331R 571
- TRU44334R 568
- TRU44337R 571
- TRU44344C 551
- TRU44350C 576
- TRU44365R 570
- TRU44373R 571
- TRU44382R 571
- TRU44705 593
- TRU45 601
- TRU45202R 564
- TRU45202Y 564
- TRU4550 564
- TRU4550A 564
- TRU45700 597
- TRU45A 601
- TRU47 601
- TRU47A 601
- TRU49202R 570
- TRU50400 608
- TRU50401 608
- TRU50600 608
- TRU50800 608
- TRU50801 608
- TRU50805 612
- TRU50806 612
- TRU50808 617
- TRU50810 612
- TRU50813 614
- TRU50816 608
- TRU50820 608
- TRU50830 608
- TRU50831 592
- TRU50840 609
- TRU50841 609
- TRU50842 609
- TRU50843 609
- TRU50846 609
- TRU50847 609
- TRU50866 615
- TRU50867 615
- TRU50875 617
- TRU50878 612
- TRU50879 612
- TRU50890 617
- TRU50898 614
- TRU52 602
- TRU52A 602
- TRU54 602
- TRU54A 602
- TRU60002R 563
- TRU60002Y 563
- TRU60004 576
- TRU60015R 560
- TRU60015Y 560
- TRU60052R 563
- TRU60072Y 563
- TRU60080Y 563
- TRU60202R 563
- TRU60202Y 563
- TRU60204 576
- TRU60215R 560
- TRU60215Y 560
- TRU60216Y 560
- TRU60250R 563
- TRU60252R 563
- TRU60256R 563
- TRU60272Y 563
- TRU60275Y 563
- TRU60282Y 563
- TRU60283R 562
- TRU60283Y 562
- TRU60290Y 563
- TRU60315Y 564
- TRU60317Y 564
- TRU60356R 564
- TRU60403 599
- TRU60420Y 560
- TRU6050 562
- TRU6050A 562
- TRU6060C 550
- TRU60700 599
- TRU60719 593
- TRU60720 585

TRU60722	585	TRU9780	668	TWL-HA002	652
TRU60723	585	TRU97804	668	TWL-HA003	652
TRU60724	585	TRU97814	668	TWL-HA004	652
TRU60728	585	TRU97815	668	TWL-HA006	653
TRU60733	585	TRU97940	591, 630	TWL-HA009	653
TRU60750	593	TRU97943	591, 630	TWL-HA010	653
TRU66252R	564	TRU97944	591, 630	TWL-HA011	653
TRU69202Y	560	TRU97960	663	TWL-HA012	653
TRU77804	609	TRU97962	663	TWL-HA013	653
TRU80251C	576	TRU98001R	603	TWL-HA016	653
TRU80334R	572	TRU98001Y	603	TWL-HA018	653
TRU80350	577	TRU98003R	603	TWL-HA019	653
TRU80351	577	TRU98003Y	603	TWL-HA021	653
TRU80353	577	TRU98006R	602	TWL-HA022	654
TRU80360	577	TRU98006Y	602	TWL-HA023	654
TRU80361	577	TRU98013	591, 630	TWL-HA025	653
TRU80423C	576	TRU98031R	602	TWL-HA027	654
TRU81360	577	TRU98031Y	602	TWL-HA028	654
TRU8160	576	TRU98153	603	TWL-HA040	654
TRU88737-0312	621	TRU98175R	602	TWL-HA051	654
TRU88810	621	TRU98175Y	602	TWL-HA156	654
TRU88892	621	TSCC-202	351	TWL-HA157	653
TRU88910	621	TSCNCA-055	730	TWL-HD001	659
TRU9007	600	TSCPBA-687	228, 641	TWL-HD002	660
TRU9007A	600	TSCPHA-542	187	TWL-HD003	659
TRU9093	600	TSCPKA-001	281	TWL-HD004	659
TRU9093A	600	TSCPKA-414	281	TWL-HD005	660
TRU92534Y	573	TSCPKA-428-9	258	TWL-HD006	659
TRU92539Y	573	TSCPLA-003	519	TWL-HD007	660
TRU92930	596	TSCPMA-183	925	TWL-HD008	660
TRU93745	628	TSCPPA-127	109	TWL-HD012	660
TRU93906	626	TSCPQA-091	630	TWL-HD031	660
TRU93908	626	TSCPQA-333	630	TWL-LA001	654
TRU93943	626	TSCPQA-334	630	TWL-LA002	654
TRU94706	628	TSCPQA-417	621	TWL-LA003	655
TRU94707	629	TSCPQA-419	621	TWL-LA004	655
TRU94718	628	TSCPQA-420	621	TWL-LA005	655
TRU94727	626	TSCPQA-421	621	TWL-LA006	655
TRU94729	626	TSCPQA-425	630	TWL-LA007	656
TRU94736	628	TSCPRA-252	189	TWL-LA010	656
TRU94759	629	TSCPZC-191	330	TWL-LA011	656
TRU94768	628	TSCPZC-192	330	TWL-LA012	656
TRU94789	628	TSCPZE-098M	319	TWL-LA013	656
TRU94802	627	TSCPZE-387	319	TWL-LA019	656
TRU94850	627	TSE3030SN2K-3001	123	TWL-LA020	656
TRU94861	628	TSE3030SN3K-3003	123	TWL-LA021	656
TRU94862	628	TSE3030TN2-C	125	TWL-LA023	656
TRU94897	626	TSE3030TN2-HNTRX-C	125	TWL-LA025	657
TRU94902	627	TSE3030TN3-HNTRX-C	125	TWL-LA026	657
TRU94916	627	TSE3030TVR2	125	TWL-LA052	657
TRU94923	629	TSEK680-102	129	TWL-LA053	657
TRU94924	627	TSEK680-130	129	TWL-LA065	657
TRU94925	626	TSEK680-138	129	TWL-PL001	650
TRU94926	626	TSEK975	129	TWL-PL002	650
TRU94931	627	TSPTRA2256	915	TWL-PL003	650
TRU94932	626	TSPTRA2282	915	TWL-PL004	650
TRU94940	629	TSXEP-2330L	180	TWL-PL006	650
TRU94964	627	TSXEP-2330R	180	TWL-PL016	652
TRU94972	627	TSXEP-2330T	180	TWL-PL017	652
TRU94992	627	TSXEZ-1932T	180	TWL-PP001	657
TRU94993	627	TSXMFS-4545-2	180	TWL-PP003	657
TRU95399	628	TSXMFS-9004-2A	180	TWL-PP004	657
TRU95424	629	TSXMFS-9024-2A	180	TWL-PP007	657
TRU96106	628	TSXT-FLEX	180	TWL-PP019	658
TRU96904	626	TUB10.00-20	984	TWL-PP020	658
TRU96930	626	TUB20FLAP	984	TWL-PT001	658
TRU96932	626	TWL-CC001	978	TWL-PT002	658
TRU97005	628	TWL-CC002	978	TWL-PT003	658
TRU97006	628	TWL-CC003	978	TWL-PT004	658
TRU97101	775	TWL-CC004	978	TWL-PT005	658
TRU97340	628	TWL-HA001	652	TWL-PT008	658

TWL-PT009 658
 TWL-PT010 659
 TWL-PT012 659
 TWL-PT013 659
 TWL-PT042 659
 TWL-TL001 650
 TWL-TL004 650
 TWL-TL005 650
 TWL-TL006 650
 TWL-TL013 650

U

UNFTC3 679
 USLBTXREPAIRKIT 256
 USLVR2X102X53 253

V

VANSWP00316 251
 VEE325614-012 931
 VEE777717-500 930
 VEE777717-510 930
 VEE777717-514 930
 VEE777717-520 930
 VEE777717-572 930
 VEE777727-310 930

VEL320175 101
 VNT-CC01 978
 VNT-CC02 978
 VNT-CC03 978
 VNT-CC04 978
 VNT-CC05 979

W

WAB01107142 257
 WAB01107186 257
 WAB01107204 251
 WAB01107823-04 203
 WAB01107824-01 203
 WAB01110092 258
 WAB01110093 258
 WAB01110177-01 258
 WAB01200038 267
 WAB01200069-120 267
 WAB01200262 267
 WAB01200464 267
 WAB01A01683 282
 WAB01A01752 268
 WAB01A01752P 268
 WAB01A01753 268
 WAB01A01798 268
 WAB01A01832 268
 WAB01A01850 267
 WAB01A02199 268
 WAB01A02295 226
 WAB01A04730-08 267
 WAB01C00059 252
 WAB01P02609-11 251
 WAB01S00008 280
 WAB01S00009 280
 WAB01S00010 280
 WAB01S00310 280
 WAB01S00428 268
 WAB01S00466 257
 WAB01S00467 257
 WAB01S00679 268
 WAB01S00782 268
 WAB01S00783 268
 WAB01S00795 280
 WAB01S01007-05 268
 WAB01S01029-03 269
 WAB01S01031 280
 WAB02000010 185

WAB02000141 185
 WAB02000325 185
 WAB02000393 185
 WAB02000808 185
 WAB02000997 185
 WAB02002706 185
 WAB02002841-01 185
 WAB02600005 676
 WAB02600007 676
 WAB02600050 677
 WAB02600051 677
 WAB02600196 676
 WAB02600724 677
 WAB02S00002 187
 WAB02S00003 187
 WAB02S01407 187
 WAB03001367 351
 WAB04000001 214
 WAB04000595 214
 WAB04000700 215
 WAB04000924 215
 WAB04000967 209
 WAB04002634-1201 204
 WAB04002634-1202 204
 WAB04003672-05 206
 WAB04003672-06 206
 WAB04300002 197
 WAB04300004 259
 WAB04300008 259
 WAB04A00005 215
 WAB04A00211 215
 WAB04A00218 215
 WAB04A00238 215
 WAB04A00331 204
 WAB04A00376 210
 WAB04A00735 215
 WAB04A00800 215
 WAB04A01083 203
 WAB04A01164 206
 WAB04A01826 215
 WAB04A01969 206
 WAB04A02040 206
 WAB04A02158 216
 WAB04A02474 216
 WAB04A02522 210
 WAB04A02675 216
 WAB04S00020 209
 WAB04S02035 66
 WAB05000026 230
 WAB05000309 230
 WAB05000357 218
 WAB05000379 218
 WAB05001230 218
 WAB05001570 218
 WAB05001843 218
 WAB05002518 218
 WAB05003500-0401 230
 WAB05003502-0401 230
 WAB05003619-07 219
 WAB05003619-07GALV 219
 WAB05003656-07 219
 WAB05003747-02 225
 WAB05003748-07 219
 WAB05004143-09 219
 WAB05004157-02 223
 WAB05004157-02GALV 223
 WAB05004168-02 223
 WAB05004168-02GALV 223
 WAB05004211-02 223
 WAB05004211-05 223

WAB05004211-08 223
 WAB05004216-03 223
 WAB05004435-03 219
 WAB05004435-05 219
 WAB05004436-04 219
 WAB05004454 225
 WAB05004514 225
 WAB05005128GALV 225
 WAB05006100-0402G 229
 WAB05006101-0402G 229
 WAB05006249-04 219
 WAB05006821-07 220
 WAB05006821-07GALV 219
 WAB05006822-04 223
 WAB05006823-04 223
 WAB05006841-07 220
 WAB05006841-11 220
 WAB05006867 230
 WAB05006867GALV 230
 WAB05006979-07GALV 220
 WAB05007046-07 220
 WAB05007051-11 220
 WAB05007540 220
 WAB05009443GALV 220
 WAB05200003-01GALV 225
 WAB05S00034 222
 WAB05S00040 222
 WAB05S00041 222
 WAB05S00063 222
 WAB05S00064 222
 WAB05S00142 222
 WAB05S00655 229
 WAB05S00780 222
 WAB05S03000 222
 WAB05S03472 222
 WAB05S03473 222
 WAB05S04066 222
 WAB05S04067 222
 WAB05S13889-01 230
 WAB05S14712-14 229
 WAB05S14735-01 230
 WAB05S14764-02 223
 WAB05S14771-02 223
 WAB05S14772-02 223
 WAB05S16192 225
 WAB06002567 457
 WAB06100001 422
 WAB06100003 422
 WAB06100055 422
 WAB06100056 422
 WAB06300270 437
 WAB06300291 447
 WAB06300330 426
 WAB06300588 452
 WAB06301077 447
 WAB06301272 447
 WAB06301444 434
 WAB06301509 457
 WAB06301614 457
 WAB06301776 452
 WAB06302201 437
 WAB06302245 447
 WAB06500856 424
 WAB06500928 425
 WAB06700075 229
 WAB06A00840 427
 WAB06A00876 427, 428
 WAB06A00877 427, 428
 WAB06A01169 457
 WAB06S00024 475

WAB06S01194	457	WAB13S01415	521	WAB53001118	221
WAB06S04491	475	WAB13S01416	521	WAB53001247	226
WAB07200005	242	WAB13S01486	517	WAB53001641	221
WAB07200012	242	WAB13S01503GALV	521	WAB53002552	268
WAB07200028	242	WAB13S01504GALV	521	WAB53002654	269
WAB07200029	242	WAB13S01505	517	WAB53002655	269
WAB07200043	242	WAB14200933	549	WAB53003207	221
WAB07600001	281	WAB14401167	622	WAB53003602	206
WAB07600048	281	WAB14401168	622	WABA1000707	320
WAB07A00037	245	WAB14401359	25, 29	WABA1001193	320
WAB07A00039	245	WAB14401359	622	WABA1300003	319
WAB07A00040	245	WAB14401383-12	622	WABA1300028	321
WAB08A00938-01	190	WAB14401702	622	WABA1A00180	321
WAB08S00007	191	WAB14402251	25, 27, 29	WABBLT00081	730
WAB08S01215-01	190	WAB14402619	23, 81	WABBLT01004	730
WAB09400050	925	WAB144W0028	622	WABE0016260	279
WAB09400306	925	WAB144W0049	622	WABE0073600	279
WAB09400479	925	WAB144W0101	622	WABE0076260	279
WAB09400480	925	WAB144W0118	622	WABE0081200	204
WAB09S00847	925	WAB14500392	606	WABE0366260	274
WAB10600482	29	WAB14500727	622	WABE0553600	279
WAB10600530	29	WAB14A00001	586	WABE0556260	279
WAB10800250	25, 27, 29	WAB14A00002	586	WABE0631100	209
WAB10800282	29	WAB14A00008	586	WABE0766130	259
WAB10800283	29	WAB14A00050	25, 27, 29	WABE0821200	245
WAB10800291	29	WAB14A00054	25, 27, 29, 586	WABE0841200	269
WAB10800292	29	WAB14A00092	586	WABE3211320	279
WAB10900628K	718	WAB14A00093	586	WABE3216260	279
WAB12S00475	25, 27, 29	WAB14A00097	586	WABE3226260	279
WAB13000042	512	WAB14A00099	587	WABE3361440	258
WAB13000065	512	WAB14A00347	587	WABE4881200	427, 428
WAB13000501	512	WAB14S00004	587	WABE4990960	254
WAB13000948	519	WAB14S00238	587	WABE515112A	269
WAB13000950	519	WAB14S00257	587	WABE6141200	204
WAB13001048-01	512	WAB14S00842-01	226	WABE7026260	274
WAB13001048-01GALV	512	WAB14S00876	226	WABE7323600	274
WAB13001048-02GALV	512	WAB15000155GALV	523	WABE7326260	274
WAB13S00018	517	WAB15000550GALV	523	WABE7411680	430
WAB13S00025	520	WAB20400790	229	WABE7521680	427, 428
WAB13S00026	520	WAB21104380	424	WABE7611680	430
WAB13S00047	520	WAB21200029	74	WABE7960480	256
WAB13S00048	520	WAB21400380	228, 641	WABE7961560	256
WAB13S00057	520	WAB21700039	316	WABE7963120	256
WAB13S00398	512	WAB21700260	313	WABE7970480	257
WAB13S00503	520	WAB24200002	282	WABE7971560	257
WAB13S00504	520	WAB24200074	254	WABE7973120	257
WAB13S00512	520	WAB24201040	254	WABE8113600	274
WAB13S00513	520	WAB24200405	282	WABE8116260	274
WAB13S00542	512	WAB24500006	587	WABE8351200	203
WAB13S00543	512	WAB24500007	226	WABE8376260	274
WAB13S00543GALV	512	WAB25000010	662	WABE8411260	269
WAB13S00544	513	WAB25000719	662	WABE9153140	259
WAB13S00545	513	WAB25000869	663	WABE9233600	275
WAB13S00547	517	WAB25000874	663	WABE9236260	275
WAB13S00755	520	WAB25100211GALV	225	WABE9241320	279
WAB13S00756	520	WAB251S0052	646	WABE9243600	279
WAB13S00757	520	WAB251S0087GALV	646	WABE9246260	279
WAB13S00760	517	WAB26100020	192	WABE9261200	203
WAB13S01021	521	WAB29S01129	513	WABE9301200	203
WAB13S01022	520	WAB29S01182	226	WABE9966260	274
WAB13S01081	513	WAB506000070	429	WABE9976260	275
WAB13S01101	520	WAB50600021	429	WABEA113600	275
WAB13S01106	521	WAB50600026	429	WABEA116260	275
WAB13S01107	521	WAB50600030	429	WABEA683600	275
WAB13S01363	521	WAB50600031	429	WABEA686260	275
WAB13S01364	521	WAB50600032	429	WABEA791320	275
WAB13S01365	521	WAB50600033	429	WABEA793600	275
WAB13S01369	521	WAB506S0011	421	WABEA796260	275
WAB13S01411	521	WAB53001014	221	WABEA806220	275
WAB13S01412	521	WAB53001062	221	WABEA846202	275

- WABEB476220 275
- WABEB481320 275
- WABEB483600 275
- WABEB486260 275
- WABEB685778 190
- WABEB695778 190
- WABEB771320 276
- WABEB776220 276
- WABEC126220 276
- WABEZ7WAY-CON 615
- WABEZ7WAYKIT-1 612
- WABFST00180 313
- WABNP031090 209
- WABNUT00203 721
- WABPRV00241 725
- WABPRV00242 725
- WABSP18107E 269
- WABV0011680 427, 428
- WABV0021680 427, 428
- WABV0031680 427, 428
- WABV0041200 427
- WABV0121680 427, 428
- WABV0281680 426, 430
- WABV0291160 430
- WABV0311680 430
- WABV0491118 254
- WABV0511118 254
- WABV0701120 434
- WABV0926200 190
- WABV1036158 254
- WABV1061680 428
- WABV1071200 428
- WABV1081680 428
- WABV1111646 430
- WAL75089243 235
- WAL80001429 235
- WARTKP-10DPL25014 353, 649
- WARTKP-10DPS 353, 649
- WAS20F6 697
- WAS30F6 690, 697
- WDS1-12 307
- WDS4-1 253
- WDS4-10 253
- WDS4-11 253
- WDS4-1P 253
- WDS4-5 253
- WDS4-5 426
- WDS4-50 253
- WDS4-7 189, 968
- WDS4-7HD 189, 968
- WDS4-7NR 189, 968
- WDS5-1 661
- WEB101160 963
- WEB101162 963
- WEB101172 962
- WEB101173 962
- WEB10209--ML 938
- WEB10209--MR 938
- WEB1020P 937
- WEB20231--3T 937
- WEB20231--5T 937
- WEB2023PT 937
- WEB23431--3T 937
- WEB23431--5T 937
- WEB56864B 935
- WEB60876 936
- WEB62200 936
- WEB63617 936
- WEB63631 935
- WEB63637 935, 936
- WEB63680F 935
- WEB66814 936
- WEB66826B 935
- WEB66854B 936
- WEB66864 935
- WEB66864B 935
- WEB66875 935
- WEB66884B 935
- WEB66893F 935
- WEB67518 936
- WEB68730 936
- WEB68765 936
- WEB75209--A 934
- WEB77864BW 935
- WEB85203--A 934
- WEN02-000-10 963
- WEN02-00014 963
- WEN02-00118 963
- WEN03-00050 935
- WEN10-00106-101 937
- WEN10-00106-102 937
- WEN10-00112-101 937
- WEN10-00114-101 937
- WHI10-1002-11 397, 399
- WHI10-1002-23 399
- WHI10-1002-3 397, 399, 410
- WHI10-1002-36 399, 410
- WHI10-1002-4 410
- WHI10-1002-42 399, 410
- WHI10-1002-45 397
- WHI10-1002-68 403
- WHI10-1002-84 403, 410
- WHI10-1002-85 403, 410
- WHI10-1002-9 397, 399
- WHI10-1003-11 410
- WHI10-1003-150 410
- WHI10-1003-2 410
- WHI10-1004-1 401
- WHI10-1006-9 403
- WHI10-1009-7 401, 403
- WHI10-1009-8 397, 401, 403
- WHI10-1010-3 397, 401, 403
- WHI10-1012-8 412
- WHI10-1025-4 399
- WHI10-1054-1 401
- WHI10-1063-1 397, 399, 401, 403
- WHI1021 397, 407
- WHI1031 397, 403, 404
- WHI1092 412
- WHI1-1 405
- WHI1-11 405
- WHI11-2 401, 404
- WHI11-3 401, 404
- WHI11-4 401, 404
- WHI11-5 401, 404
- WHI11-XX 397, 403
- WHI1207 397, 401, 403, 408
- WHI1208 397, 401, 403, 408
- WHI1209-1 397, 408
- WHI1209-A 401, 403, 408
- WHI1264 397, 403, 406
- WHI1336-1 401, 406
- WHI1336-2 401, 406
- WHI1336-3 401
- WHI1336-4 401
- WHI1370 397, 407
- WHI1371-A 397, 407
- WHI1-4 401, 405
- WHI15 397, 401, 403, 408
- WHI15301-1 404
- WHI16089-5-95.25 404
- WHI16089-XX 402
- WHI16090-XX 402
- WHI16091-XX 402
- WHI16092-XX 402
- WHI16093-XX 402
- WHI16094-XX 403
- WHI16095-XXX 403
- WHI16124-XX 403
- WHI1675 410
- WHI1676 397, 410
- WHI1-7 405
- WHI1715 397, 399, 403, 408
- WHI1715-10 401
- WHI1801-96 397, 410
- WHI18-3 397
- WHI1920 401, 406
- WHI1-XX 397, 403
- WHI20653818 405
- WHI20653821 405
- WHI2232-1-XXX 400
- WHI2234-1-XXX 400
- WHI2235-1-96 404
- WHI2235-1-XXX 400
- WHI2237-XXX 400
- WHI2238-XXX 400
- WHI2239-1-X 400
- WHI2270-115 401, 404
- WHI2271-115 401, 404
- WHI2275-1 397, 403, 404
- WHI2275-110C 404
- WHI2275-110R 404
- WHI2275-2 397, 403, 404
- WHI2370 397
- WHI2376-200X30X96 405
- WHI2376-218-35 405
- WHI2376-87 401, 405
- WHI2376-93 405
- WHI2376-96 405
- WHI2376-XX 397
- WHI2376-XXXX 403
- WHI242-XXXXX 396
- WHI248-XXXXX 396
- WHI2518 397, 401, 403
- WHI2522 397, 401, 403
- WHI2523 397, 401, 403
- WHI2524 397, 401, 403
- WHI2525 397, 401, 403, 406
- WHI2526 397, 401, 403, 406
- WHI2528-XX 397
- WHI2528-XXX 401
- WHI2547 397, 401, 403, 405
- WHI2548 397, 401, 403, 405
- WHI258-XXXXX 396
- WHI2699 397, 399, 401, 403
- WHI2701-XXXX 399
- WHI2704 397, 401, 403, 409
- WHI2704-187X31 409
- WHI2705 397, 401, 403, 409
- WHI2705-187X31 409
- WHI2804 397, 401, 403, 409
- WHI2915 407
- WHI2915-1 407
- WHI2996 397, 401, 403, 409
- WHI2996-3 409
- WHI3100-XX 399
- WHI3225 409
- WHI3228 397, 401, 409
- WHI3228.5 409
- WHI33 412

- WHI341-XXXXX 396
- WHI342-11.5X98 404
- WHI3421115416X9525 404
- WHI342-15.5X98 404
- WHI342-15X98 404
- WHI342-15X98PPW 404
- WHI342-XXXXX 396
- WHI345-3-11.5X98 404
- WHI345-3-15X98PRW 404
- WHI346-11X96 404
- WHI346-2-XXXXX 396
- WHI3481541696PNTFE 404
- WHI348-XXXXX 396
- WHI352-XXXXX 396
- WHI358-XXXXX 396
- WHI3766 411
- WHI4004 399
- WHI4019-115 399
- WHI4020 405
- WHI4020-1 399
- WHI4023 399
- WHI4024 399
- WHI4026 399
- WHI4028 399
- WHI4032W 397, 399, 411
- WHI4033 399
- WHI4042-XXXXX 398
- WHI4045 399
- WHI4046 399
- WHI4077 399
- WHI4090-XXXX 399
- WHI4127 399
- WHI4441-XXX 398
- WHI4445-XXXXX 398
- WHI5377-115 397, 412
- WHI5423 397, 412
- WHI5423-120 412
- WHI5464-90 411
- WHI5464-96 401, 411
- WHI5502 401, 403
- WHI5504 401, 403, 407
- WHI5509 401, 403
- WHI5600 401, 403, 407
- WHI5726 397
- WHI5735 397, 403, 411
- WHI5803 401, 403, 406
- WHI5886-98 411
- WHI6 397, 399, 401, 403
- WHI6589-100 401
- WHI6943 397, 403, 406
- WHI6944 397, 403, 406
- WHI70-13 397, 410
- WHI70-19 410
- WHI70-5 410
- WHI7096 405
- WHI7097 405
- WHI7131 412
- WHI7144 401, 411
- WHI7145 401, 411
- WHI7147 411
- WHI7176-218X33X93 405
- WHI7176-218X33X96 405
- WHI7176-225-31-96 405
- WHI7176-225X31X90 405
- WHI7176-225X31X93 405
- WHI7470-115 401, 412
- WHI7515 397, 399, 401, 403, 408
- WHI7535-3 408
- WHI77 397, 401, 403, 408
- WHI77-1 408
- WHI7952 401
- WHI7953 401
- WHI8070 407
- WHI8071 407
- WHI8071ASM 407
- WHI8280-2 365, 397, 410
- WHI83 397, 401, 403
- WHI8654 399
- WHI8656 399
- WHI9723 399, 409
- WHI9723.42 399, 409
- WHI9723-1 399, 409
- WHI9723-XX 397, 401, 403
- WHIML2001 429, 748
- WHIPULLSTRAPKIT 409
- WHIT2528-XX 403
- WHIT7575WHT 399
- WIP18-AS 682
- WIP20-AR 682
- WIP20-AS 682
- WIP22-AR 682
- WIP22-AS 682
- WIP24-AR 682
- WIP24-AS 682
- WLK420118 642
- WLK440161 642
- WLK440162 642
- WLK466425 642
- WSH00152 29
- WSH2-135 819, 820
- WSH77613 732
- WSH-CC01 732
- WSHF4821008-07 732
- WSH-SSWWF04 731
- WSH-SSWWF05 731
- WSH-SSWWF0511 731
- WSH-SSWWF06 731
- WSH-SSWWF0612 731
- WSH-WWF04 731
- WSH-WWF05 731
- WSH-WWF06 731
- WSH-WWL04 731
- WSH-WWL05 731
- WSH-WWL06 731
- WSH-WWL07 731
- WSH-WWL08 731
- WSH-WWL10 731
- WSH-WWL12 731
- WSH-WWL804 731
- WSH-WWL805 731
- WSH-WWL806 731
- WSH-WWL807 731
- WSH-WWL808 731
- WSH-WWL810 731, 732
- WSH-WWL812 731
- WSH-WWLI16 732
- WSH-WWS04 731
- WSH-WWS05 731
- WSH-WWS06 731
- WSH-WWS07 731
- WSH-WWS08 731, 742
- WSH-WWS10 731
- WSH-WWS12 731
- WSH-WWS14 731
- WSH-WWS16 731
- WSH-WWS16 814
- WSH-WWS804 731
- WSH-WWS805 731
- WSH-WWS806 731
- WSH-WWS807 731
- WSH-WWS808 731, 732
- WSH-WWS810 731
- WSH-WWS812 731
- WSH-WWS814 731
- WSH-WWS816 731
- WSH-WWS816 25, 27, 29
- WSH-WWU04 731
- WSH-WWU05 731
- WSH-WWU06 731, 825
- WSH-WWU07 731
- WSH-WWU08 731
- WSH-WWU10 731
- WSH-WWU12 731
- WSH-WWU14 731
- WSH-WWU16 731
- WSH-WWU804 731
- WSH-WWU805 731
- WSH-WWU806 731
- WSH-WWU807 731
- WSH-WWU808 731
- WSH-WWU810 731
- WSH-WWU812 731
- WSH-WWU814 731
- WSH-WWU816 731



More Products. More Potential.



www.Pro-Par.com



www.FleetPerform.com

Aurora Parts & Accessories
500 South Enterprise Blvd
Lebanon, IN 46052

Aurora Parts - Atlanta PDC
3605 Royal South Pkwy / Suite 440
Atlanta, GA 30349

Aurora Parts - Dallas PDC
700 Commerce Park Dr / Suite 160
Grand Prairie, TX 75050

Toll Free: 800.621.7949
www.AuroraParts.com

September 2018 Rev. 1.0
©Aurora Parts & Accessories, LLC.